

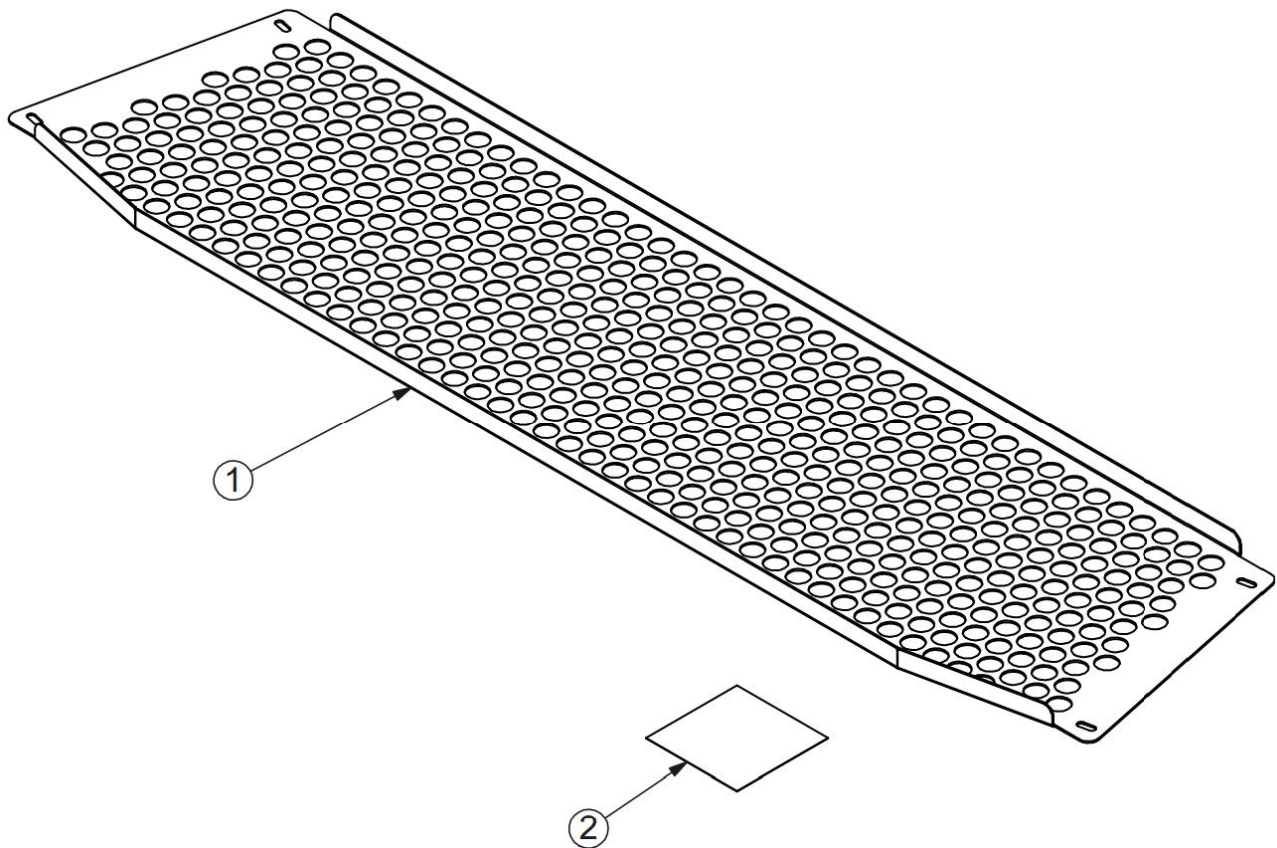
Introduction / Comments:

This add-on kit is for installing a 63284 window guard onto the MSLR2-6FE ladder rack.

Note:

It is advised that all fasteners used in this assembly and installation should be checked for tightness at the following intervals: @ 2-weeks and again @ 6-weeks of operation. This preventive maintenance step must be completed to ensure your Product gives you long service life.

ITEM NO.	PART NUMBER	DESCRIPTION	QTY.
1	63284-B	MSLR2, WINDOW GUARD	1
2	BAG63304	BAG FOR 63304	1



63304
MSLR2-6FE WINDOW GUARD ADD-ON KIT

- PRECAUTIONS -



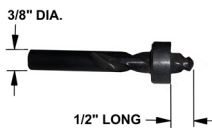
CAUTION
THE USE OF AIR IMPACT TOOLS CAN
OVER-TORQUE FASTENERS AND
CAUSE FASTENER FAILURE!



CAUTION
ALL INSTALLATION HOLES SHOULD BE SEALED
WITH SILICON OR BUTYL SEALANT TO PREVENT
EXHAUST FUMES FROM ENTERING THE VEHICLE!



DANGER
INSPECT FOR FUEL TANK, FUEL LINES, BRAKE LINES, HIGH
VOLTAGE BATTERIES AND ELECTRICAL LINES PRIOR TO
DRILLING TO AVOID DAMAGING CRITICAL VEHICLE SYSTEMS
OR INJURY TO INSTALLER DURING INSTALLATION PROCESS!



CAUTION
TO AVOID DAMAGING THE VEHICLE ALWAYS USE DRILL
STOPS WHEN DRILLING ANY INSTALLATION HOLES!
ADRIAN AVAILABLE PART #'S 31119-0 (3/8" X 1/2"
DEEP), 31121-0 (1/2" x 1/2" DEEP)



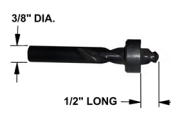
- IMPORTANT WARRANTY REQUIREMENTS -

1. SUBSTITUTING ADRIAN STEEL SPECIFIED FASTENERS FOR ASSEMBLY AND/OR INSTALLATION WILL VOID YOUR PRODUCT WARRANTY.
2. ALL HOLES DRILLED INTO VEHICLE SHOULD HAVE THE RAW METAL EDGES SEALED WITH A SELF-ETCHING PRIMER TO RESIST CORROSION AND POTENTIAL FASTENER POINT FAILURE.
3. ALL FASTENERS USED IN THE INSTALLATION OF THIS PRODUCT SHOULD BE TIGHTENED TO THE TORQUE(S) SPECIFIED IN THESE INSTRUCTIONS.
4. THESE INSTRUCTIONS SHOULD BE KEPT WITH THE VEHICLE.

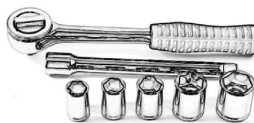
THE BASIC TOOLS NEEDED FOR MOST INSTALLATIONS



DRILL



DRILL BIT WITH
STOP



RATCHET, SOCKETS
AND/OR WRENCHES



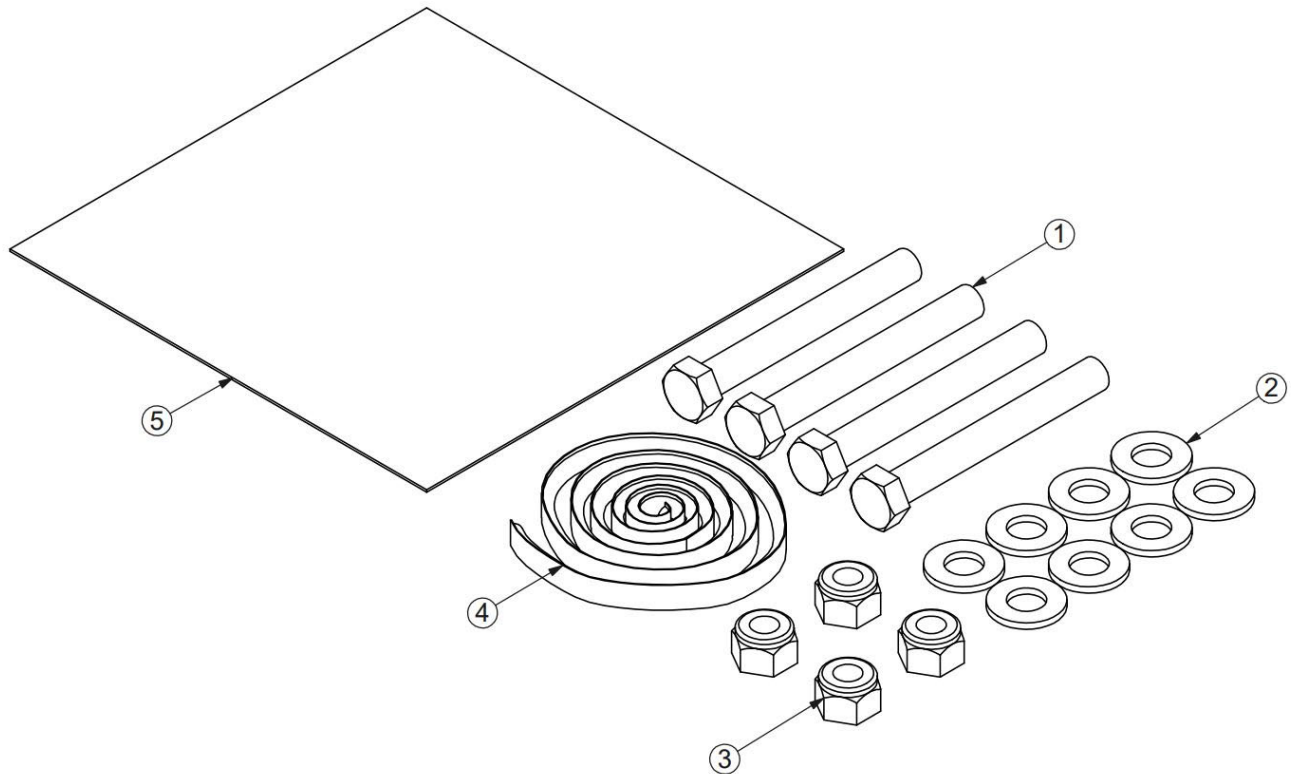
SCREWDRIVERS



MEASURING TAPE

ADDITIONAL TOOLS MAY BE NEEDED FOR THIS INSTALLATION AND THEY WILL BE IDENTIFIED IN THE STEPS THAT FOLLOW.

Installation and/or Assembly Fasteners BAG63304			
ITEM NO.	PART NUMBER	DESCRIPTION	QTY.
1	FAS0243	Screw, Hex Hd, 5/16-18x2.50 Stainless Steel	4
2	FAS0552	Washer, Flat, 5/16, SST	8
3	FAS0248	Nut, Nylon Insert Lock, 5/16-18 SST	4
4	05586-0	Butyl Tape, T224 -1/2"X 1' Roll	1
5	BAG0505-A	5" x 5" 3MIL AUTOBAG	1



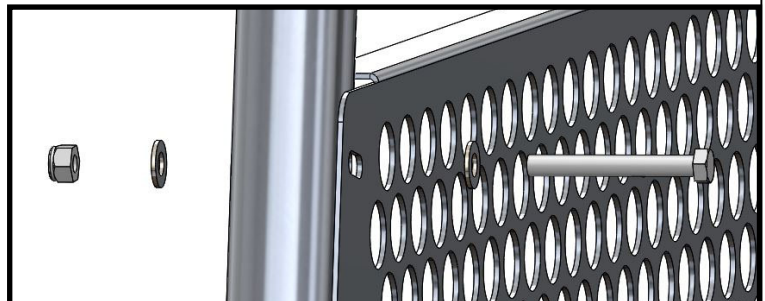
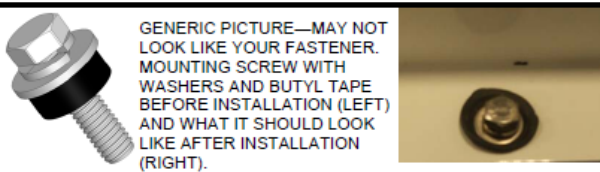
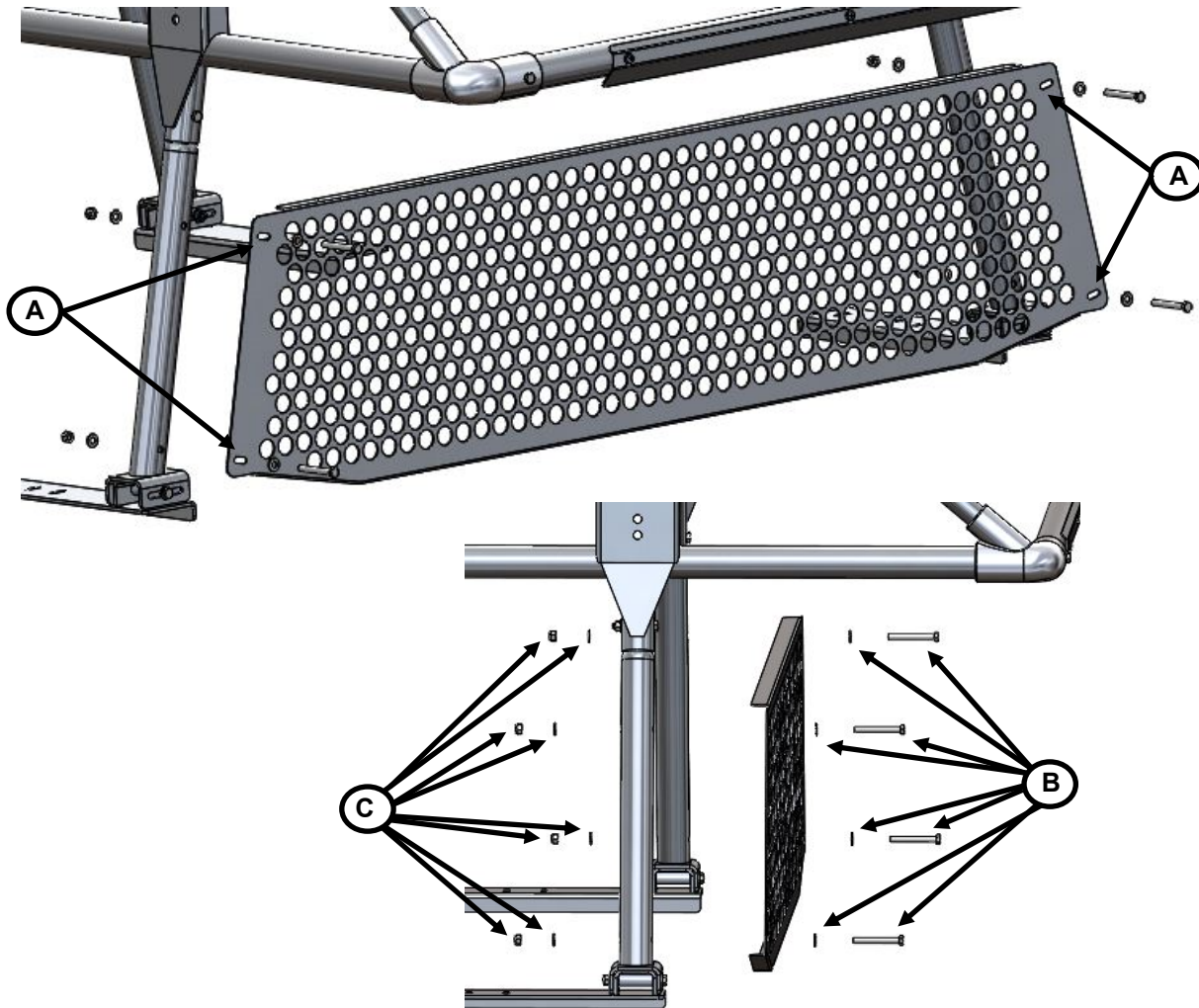
Step 01 Installing the window guard onto the ladder rack.

NOTE: APPLY 05586-0 BUTYL TAPE AROUND BOTH ENDS OF EVERY FASTENER BEFORE TIGHTENING!

A) Align the slots of 63284 against the front corner support holes of MSLR2-FE, the straight edge being topside and the flanges facing inwards toward the MSLR2-6FE, away from the cab.

B) Place (1) FAS0552 washer on each (4) FAS0243 bolt and insert bolts through the holes.

C) Place (1) FAS0552 washer on each (4) bolt and thread (1) FAS0248 lock nut on each (4) bolt and tighten using a 1/2" wrench and socket.



Step 02 Your install is now complete!



**DOUBLE CHECK ALL FASTENERS LOCATIONS TO BE SURE THAT ALL
FASTENERS ARE TIGHTENED TO SPECIFICATIONS.
YOUR INSTALLATION IS NOW COMPLETE!
STOW THIS COPY IN THE VEHICLE FOR FUTURE REFERENCES!**