

FASTENER GROUPS LISTED BELOW ARE USED FOR ASSEMBLY AND INSTALLATION. SOME ASSEMBLY IS REQUIRED. PARTITION INSTRUCTIONS & FASTENERS ARE WITH THAT UNIT. USE KD UNIT DRAWINGS TO IDENTIFY THEIR SEPARATE PARTS. CUSTOMER SPECIFIED SHELF DIMENSIONS ARE SHOWN HERE.

SYM. FASTENERS DRILL

5/16-18 X 3/8 ALLEN SET SCW, BLK  
26618-0 SEALANT, 1OZ. TUBE/RTV/CLR

**WINDOW GUARD FOR LOADRUNNER**

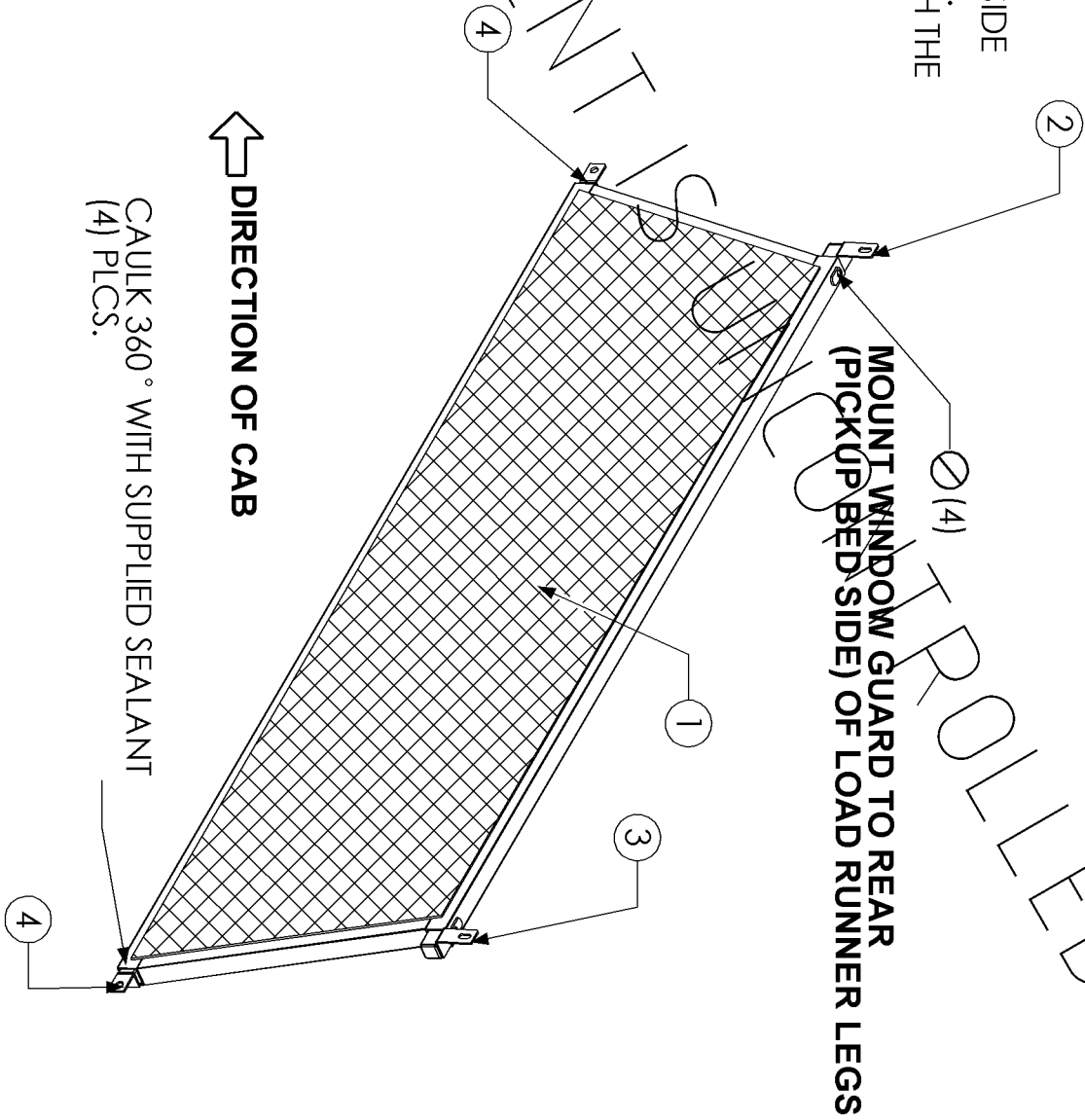
CHECKED BY	DRAWN BY	EGN#	DATE:	PART NUMBER	ISSUE
	<b>BIS</b>	<b>12861</b>	<b>03/07/07</b>	<b>WG21</b>	<b>F</b>
PACKAGE WEIGHT-					
<b>19.96</b>	#	HCG=		VCG=	

**ADRIAN STEEL**  
906 JAMES ST. ADRIAN MI. 49221  
(517) 265-6194

**ASSEMBLY INSTRUCTIONS**

- 1) SLIDE LEGS INTO GUARD ASSEMBLY. MAKE SURE TABS ARE ORIENTATED AS SHOWN.
- 2) PLACE SET SCREWS IN TO WELD NUTS. DO NOT TIGHTEN YET.
- 3) PLACE GUARD INTO POSITION ON THE CARGO SIDE OF THE LOAD RUNNER AND CENTER THE GUARD.
- 4) REMOVE THE FOUR FASTENERS THAT LINE UP WITH THE HOLES ON THE LEG ASSEMBLIES.
- 5) DISCARD (4) WASHERS.
- 6) ATTACH GUARD TO RACK USING THE REMOVED FASTENERS.
- 7) RE-CENTER GUARD AND TIGHTEN SET SCREWS.
- 8) CAULK OPENINGS 360° WHERE LEGS INSERT INTO WINDOW GUARD.

ITEM NO.	PART NO.	DESCRIPTION	QTY.
1	27342-0	WINDOW GUARD FRAME	1
2	27344-0	TOP RIGHT LEG ASM	1
3	27343-0	TOP LEFT LEG ASM	1
4	19954-0	LEG ASM	2
5	27570-0	1X1X.625 CAP PLUG	2



**DIRECTION OF CAB** →  
CAULK 360° WITH SUPPLIED SEALANT (4) PLCS.

PRINTED DOCUMENT



**ADRIAN STEEL**  
VAN AND PICKUP EQUIPMENT

## Load Runner WINDOW GUARD

### Full Size Pick Up Window Guard Assembly – Installation Instructions

P.N.: 33831-0

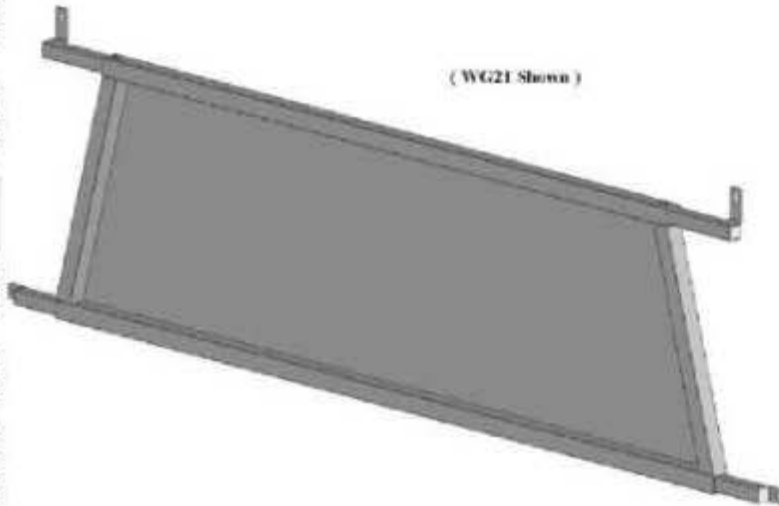
ISSUE: A

CHK BY:

REV BY:

DWG BY: BJS

ECH: 10007 DATE: 02/07/2007



( WG21 Shown )

P/N WG21 (BLACK) for standard LOAD RUNNER  
P/N WG21S (BLACK) for FORD SUPER DUTY LOAD RUNNER  
P/N WG21W (WHITE) for standard LOAD RUNNER  
P/N WG21SW (WHITE) for FORD SUPER DUTY LOAD RUNNER

ADRIAN STEEL COMPANY • 906 JAMES ST. • ADRIAN, MI. 49221 • (517) 265-6194



**ADRIAN STEEL**  
VAN AND PICKUP EQUIPMENT

## Load Runner WINDOW GUARD

### BEFORE YOU START!

IMPORTANT INSTALLATION STEPS ARE DENOTED USING A STOP SIGN. THESE STEPS MUST BE PERFORMED AS SPECIFIED IN ORDER TO ENSURE A PROPER INSTALLATION AND MUST BE FOLLOWED IN ORDER TO MAINTAIN YOUR PRODUCT WARRANTY!

STOP

CRITICAL INFORMATION PERTAINING TO USER AND/OR VEHICLE SAFETY IS DENOTED USING A CAUTION SIGN. SAFETY ITEMS MUST BE STRICTLY ADHERED TO IN ORDER TO ENSURE A SAFE WORKING ENVIRONMENT!



YOU WILL NEED THE FOLLOWING TOOLS IN ORDER TO COMPLETE THIS JOB.

5/32" ALLEN WRENCH  
1/2" & 9/16" OPEN END WRENCH  
RATCHET WRENCH, WITH 1/2" & 9/16" SOCKET

ALL FASTENERS USED IN THE ASSEMBLY AND INSTALLATION OF THIS PRODUCT SHOULD BE TIGHTENED TO THE SPECIFIED TORQUE AS LISTED WITH EACH FASTENER CALLOUT BOX.



THE USE OF AIR OR ELECTRIC IMPACT TOOLS FOR THE ASSEMBLY OF FASTENERS IS NOT RECOMMENDED AND COULD CAUSE FASTENER FAILURE!



### WARNING



THE USE OF DRILLS WITH INTEGRAL DRILL STOPS ALONG WITH PROPER INSPECTION FOR GAS TANK, GAS LINES, BRAKE LINES AND ELECTRICAL LINES PRIOR TO DRILLING ANY MOUNTING HOLES IS STRONGLY RECOMMENDED TO ENSURE THAT VEHICLE DAMAGE IS AVOIDED!



THE USE OF NON-STANDARD FASTENERS AND/OR DEVIATING FROM THE FASTENERS SPECIFIED IN THE INSTRUCTION (S) MAY VOID YOUR PRODUCT WARRANTY!

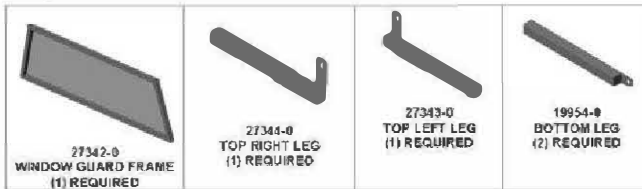
ALL DRILLED HOLES IN THE VEHICLE SHOULD HAVE THE RAW METAL EDGES SEALED WITH A SELF-ETCHING PRIMER TO RESIST CORROSION AND POTENTIAL FASTENER POINT FAILURE!

ADRIAN STEEL COMPANY • 906 JAMES ST. • ADRIAN, MI. 49221 • (517) 265-6194

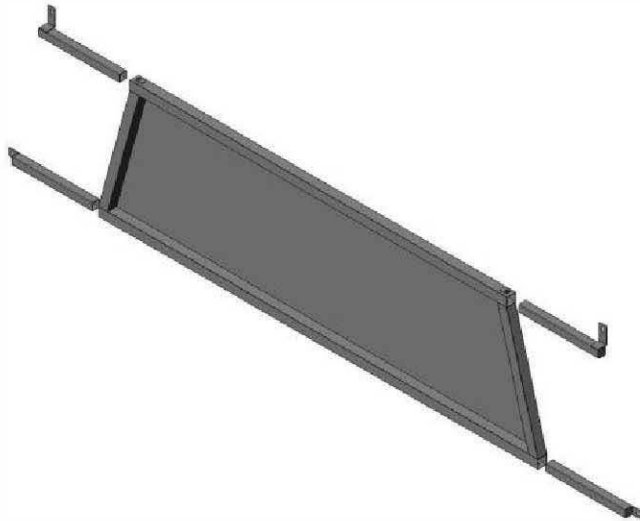
## Load Runner WINDOW GUARD

**STEP - 01**

**WINDOW GUARD LEG ASSEMBLY**



Slide LEGS into WINDOW GUARD FRAME. Make sure tabs on legs are orientated as shown



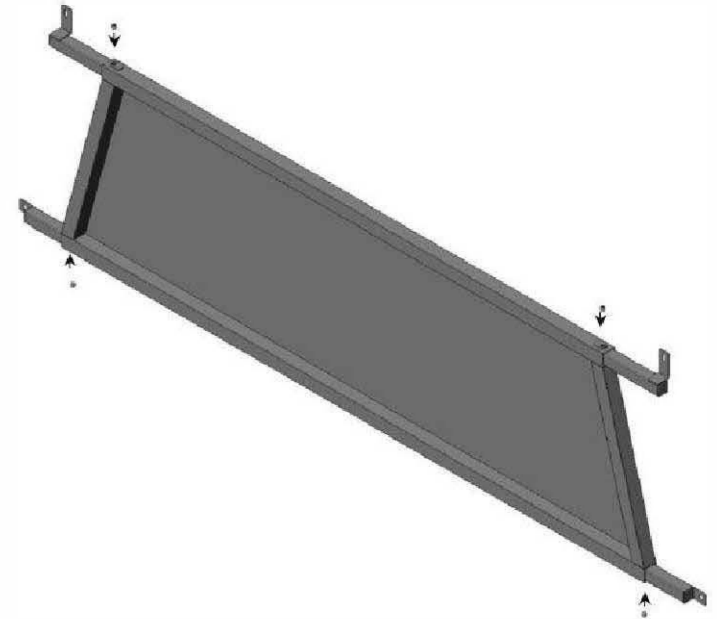
## Load Runner WINDOW GUARD

**STEP - 02**

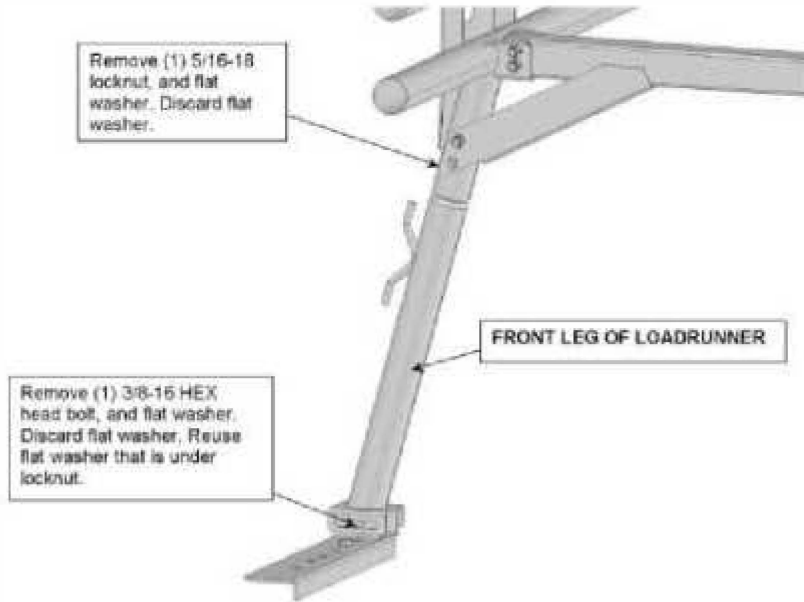
**INSTALLATION OF SET SCREWS IN TO WINDOW GUARD FRAME**



Install SET SCREWS in to WELD NUTS on WINDOW GUARD FRAME (4) corners. Do not torque down the SET SCREWS.



**STEP - 03** LOADRUNNER PREPERATION FOR WINDOW GUARD



Repeat removal of 5/16-18 LOCKNUT, and 3/8-16 BOLT on CURBSIDE.

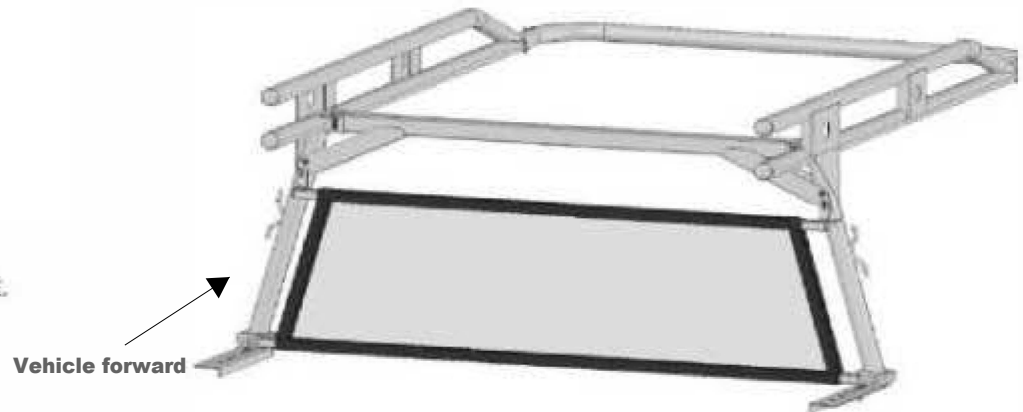
**STEP - 04** ASSEMBLY AND ADJUSTMENT OF WINDOW GUARD ONTO LOADRUNNER

Position the WINDOW GUARD as shown onto LOAD RUNNER front legs. If a crossbox is in use, mount the WINDOW GUARD on the front side of the LOAD RUNNER front legs. Adjust UPPER LEGS so that the slots fit over the 5/16-18 bolts, re-install the 5/16-18 LOCK NUTS onto the bolts. Tighten until snug.

Adjust LOWER LEGS so that 3/8-16 BOLTS can be re-installed. Tighten until snug.

Center the WINDOW GUARD between the LOAD RUNNER legs. Torque 5/16-18 bolts and nuts to 25 lbs. Also torque 3/8-16 BOLTS and LOCKNUTS to 45 lbs.

Recheck that WINDOW GUARD is still centered, if not re-center. Now torque 5/16-18 SET SCREWS to 17 lbs.



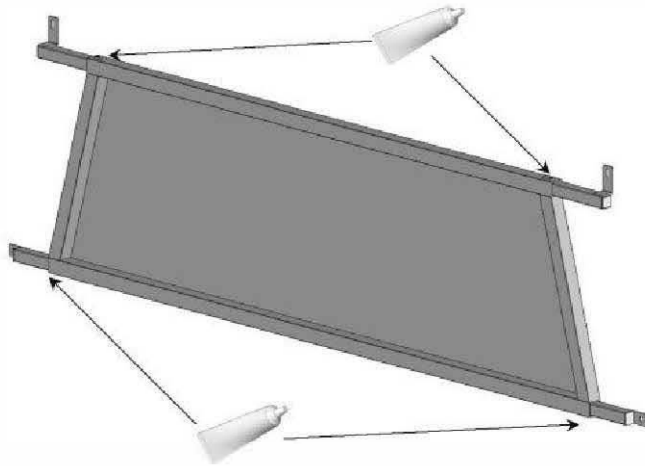
## Load Runner WINDOW GUARD

STEP - 05

APPLYING SILICONE CAULK TO WINDOW GUARD



Apply 360 degrees of SILICONE CAULK to where LEGS insert in WINDOW GUARD FRAME in the (4) corners as shown.



DOUBLE-CHECK ALL FASTENER LOCATIONS TO BE  
SURE THAT ALL FASTENERS ARE TIGHTENED TO  
SPECIFICATIONS!



**YOUR INSTALLATION IS NOW COMPLETE! STOW THIS COPY IN THE  
VEHICLE FOR FUTURE REFERENCE!**

ADRIAN STEEL COMPANY • 906 JAMES ST. • ADRIAN, MI. 49221 • (517) 265-6194