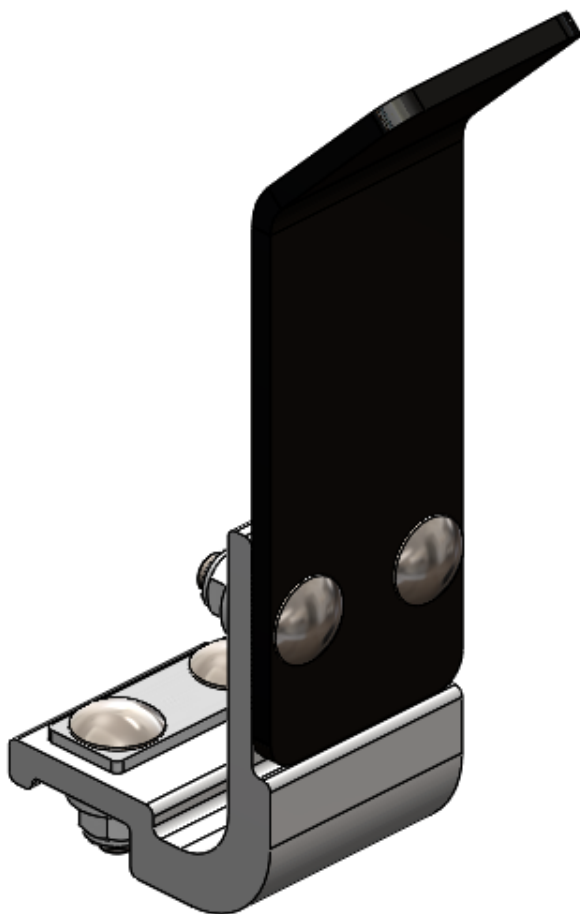


Single Ladder Stop Kit, Black



PRODUCT WEIGHT
1.3 LBS

WIDTH x DEPTH x HEIGHT
2" x 1.8" x 6.3"

CAPACITY
N/A

COLOR
ALL BLACK

CATALOG NUMBER
ULSKAB

PRODUCT FEATURES

Aluminum ladder stop kit with plastisol coating for PROFILE™ HD Utility and combo ladder racks. Works on all vehicle platforms. Works with all upright kits, conduit kits, and rear rollers.

Utility style ladder racks are not recommended for medium and high roof vehicles!

Please refer to OEM specific mounting kit and rail kit for additional information on compatible accessories.

SEE PAGE 2 FOR APPLICATION NOTES AND ACCESSORIES, OTHER PRODUCTS THAT WORK WITH THIS UNIT.



CATALOG NUMBER **ULSKAB**

PRODUCT APPLICATION

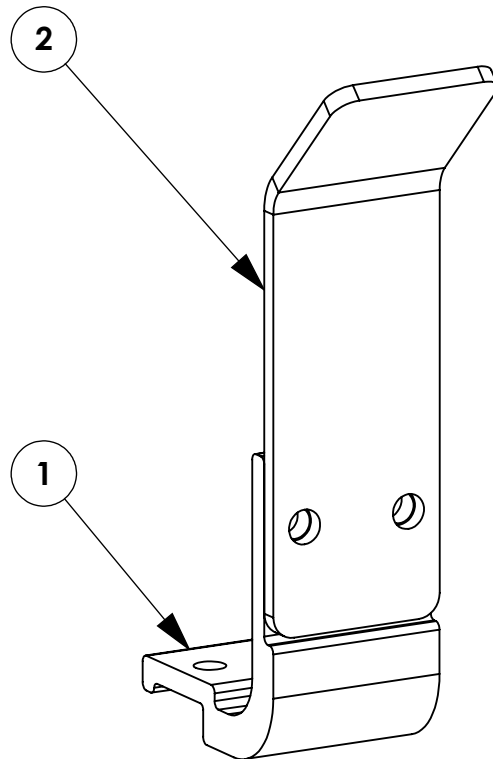
This product is for PROFILE™ HD Utility and combo ladder racks. Works on all vehicle platforms. Utility style ladder racks are not recommended for medium or high roof vehicles!

ACCESSORIES THAT WILL WORK WITH THIS PRODUCT

<i>CATALOG NUMBER</i>	<i>DESCRIPTION</i>
2BARB	2-Crossbar Kit, 68”, Black, Full Size Van
2BARCB	2-Crossbar Kit, 58”, Black, Minivan
1BARB	Single Crossbar Kit, 68”, Black, Full Size Van
1BARCB	Single Crossbar Kit, 58”, Black, Minivan
2BARTOPB	2-Crossbar Kit, 48”, Black, Multiple Pickups
1BARTOPB	Single Crossbar Kit, 48”, Black, Multiple Pickups

<i>INSTR. NUMBER</i> : 64337	<i>PG:</i> 1	<i>REV:</i> C	<i>ITEM NO.</i>	<i>PART NUMBER</i>	<i>DESCRIPTION</i>	<i>QTY.</i>
			1	63854-W	UTILITY,CONNECTING BRKT,W	1
<i>PART NUMBER</i> : ULSKB			2	63850-B	UTILITY, LADDER STOP, B	1
<i>PART DESC.</i> : UTILITY, LADDER STOP KIT						

NOTE: THIS INSTRUCTION IS INTENDED TO BE USED WITH THE #BARW OR #BARCW UTILITY RACKS.



GET TO KNOW THE VEHICLE - AT THE BEGINNING OF ANY INSTALLATION, CHECK THE LOCATION OF THE FUEL TANK, FUEL LINES, BRAKE LINES, HIGH VOLTAGE BATTERIES AND WIRING HARNESSSES TO AVOID INJURY OR PROPERTY DAMAGE FROM TOOL CONTACT.

SEAL ALL EXTERIOR HOLES - ALL INSTALLATION HOLES SHOULD BE SEALED WITH BUTYL TAPE OR SILICON TO PREVENT WATER AND EXHAUST GASES FROM ENTERING THE VEHICLE.

CONTROL DRILL DEPTH - TO AVOID DAMAGE TO THE VEHICLE, USE A DRILL STOP OR CLEARED STEP BIT WHEN DRILLING INSTALLATION HOLES.

ALWAYS ADD PRIMER - WHEN ADDING INSTALLATION HOLES BE SURE TO USE A SELF-ETCHING PRIMER TO PREVENT CORROSION, FASTENER FAILURE AND INJURY.

MOUNTING POINTS MUST HAVE METAL-TO-METAL CONTACT - USE PROVIDED MOUNTING SPACERS TO ACCOMMODATE FOR VEHICLE FEATURES, CARPET OR SUBFLOORS.

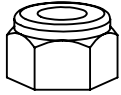
PROVIDE CLEARANCE FOR SPACERS - IF THE INSTALLATION VEHICLE CONTAINS A CARPET OR SUBFLOOR, USE A 1-3/16" DIAMETER CARPET CUTTER (P/N: 31183-0) AT ALL MOUNTING LOCATIONS TO OPEN UP ROOM FOR SPACERS.

CHECK SPACER ORIENTATION - BE SURE THAT THE INDENT IN THE SPACER COVERS THE PLUSNUT HEAD; THIS ENSURES THE MOST METAL-TO-METAL CONTACT AND REDUCES VIBRATION.

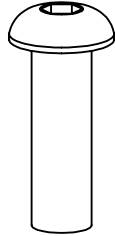
PLUSNUT INSTALLATION - A PLUSNUT GUN IS RECOMMENDED FOR PLUSNUT INSTALLATION FOR ITS PRODUCTION SPEED. HOWEVER, A PLUSNUT SETTING TOOL CAN ALSO BE USED (P/N: 22200-0).

THRU-BOLT CLEARANCE - WHEN USING A THRU-BOLT AT ANY MOUNTING LOCATION, BE SURE THAT YOUR HOLE HAS 1/16" CLEARANCE.

FASTENERS USED



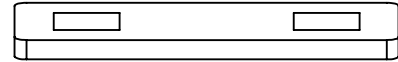
**FAS0248
5/16-18 SS
NLK HEX NUT
QTY: 4**



**FAS0813
5/16-18X1.0 SS
BHCS SCREW
QTY: 4**



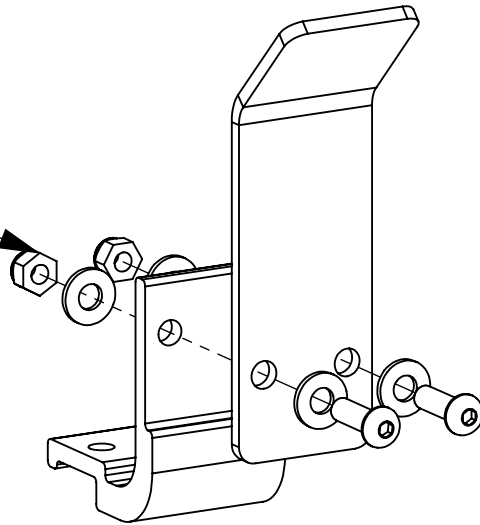
**FAS0552
5/16 SS
FLAT WASHER
QTY: 4**



**63934
UTILITY,
BOLT PLATE
QTY: 1**

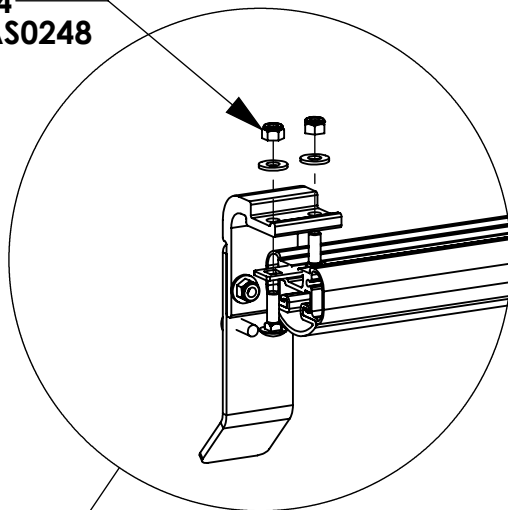
BEGIN ASSEMBLY
STEP 1 - ASSEMBLE BRACKET

(2)FAS0813, (4)FAS0552,
(2)FAS0248
1/2 SOCKET
3/16 HEX DRIVE



BEGIN INSTALLATION
STEP 2 - INSTALL BRACKET

(2)FAS0398, 63934
(2)FAS0552, (2)FAS0248
1/2 SOCKET



MAKE SURE THE LADDER STOP IS BETWEEN THE CARRIAGE BOLT AND PLATE ASSEMBLY FOR EACH MOUNTING BRACKET.

ADJUST LADDER STOP TO BE IN THE CENTER OF CARGO

