



Mounting Bracket Kit, 4-Pack, Black, Multiple Pickups

PRODUCT WEIGHT
3.3 LBS

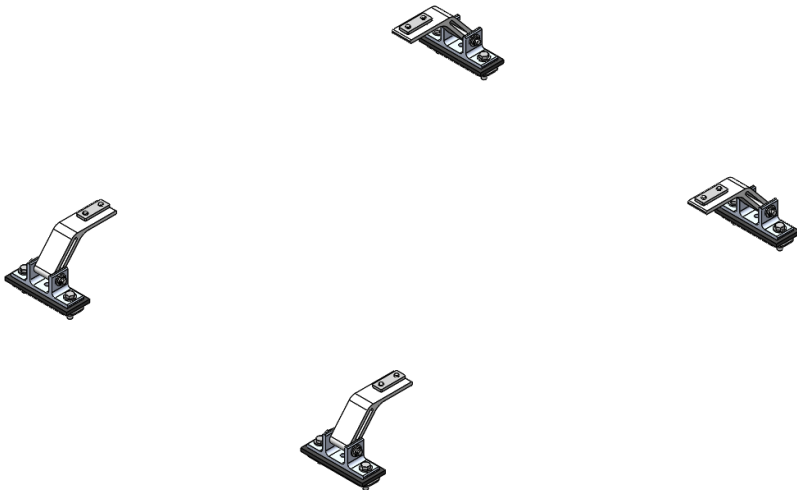
HEIGHT OFF ROOF
SEE TABLE BELOW

CAPACITY
**REFER TO OEM'S
RECOMMENDED LOAD
RATING**
COLOR

BLACK

CATALOG NUMBER

TOPMBK4B



PRODUCT FEATURES

Pickups with topper aluminum mounting bracket kit for the PROFILE™ HD Utility Rack. Mounting kit works on ARE and Leer toppers. Must be mounted to the topper's welded in reinforcement plates.

Utility racks are not recommended for medium or high roof vehicles!

Does not work with grip lock or drop down style racks.

SEE PAGE 2 FOR APPLICATION NOTES AND ACCESSORIES, OTHER PRODUCTS THAT WORK WITH THIS UNIT.



CATALOG NUMBER TOPMBK4B

PRODUCT APPLICATION

This product is designed to be installed on pickups with ARE and Leer toppers. HD Utility Racks are not recommended for medium or high roof vehicles!

ACCESSORIES THAT WILL WORK WITH THIS PRODUCT

CATALOG NUMBER	DESCRIPTION	CATALOG NUMBER	DESCRIPTION
2BARTOPB	2-Crossbar Kit, 48", Black, Multiple Pickups	2BARCB	2-Crossbar Kit, 48", Black, Minivan
4UPK4AB	4" Upright Kit, 4-Pack, Black	4UPK2AB	4" Upright Kit, 2-Pack, Black
6UPK4AB	6" Upright Kit, 4-Pack, Black	6UPK2AB	6" Upright Kit, 2-Pack, Black
9UPK4AB	9" Upright Kit, 4-Pack, Black	9UPK2AB	9" Upright Kit, 2-Pack, Black
RSK1AB	Single Ratchet Upright Kit, 9", Black	ULSKAB	Single Ladder Stop Kit, Black

LADDER RACK HEIGHTS MEASURED FROM ROOF OF VEHICLE

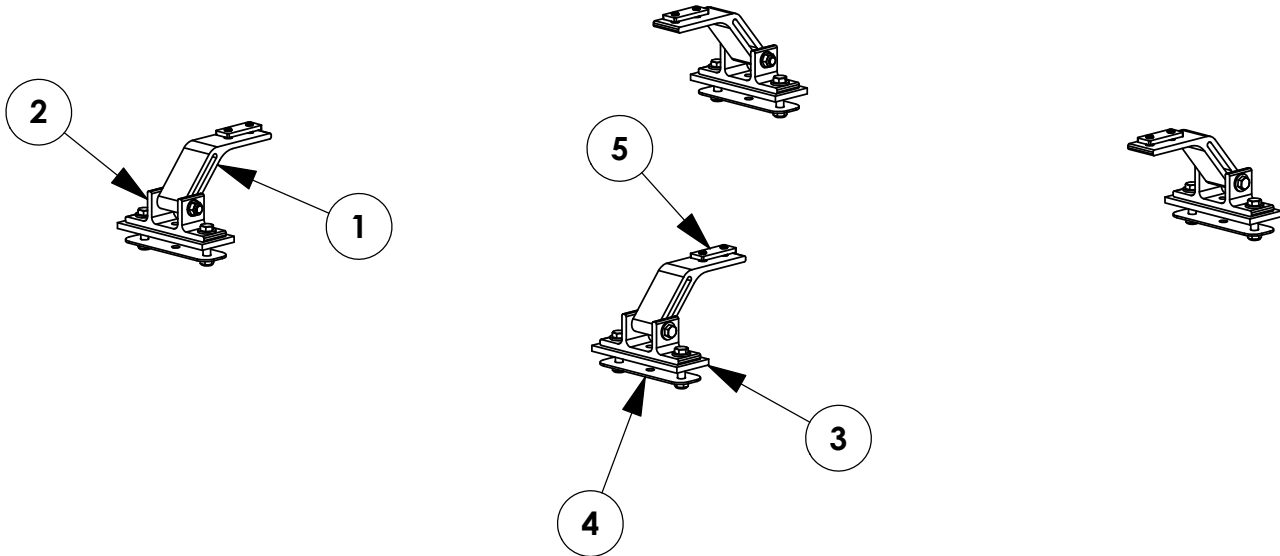
CONFIGURATION	RACK HEIGHT
Base Rack	5.5"
Base + Ladder Stop	11.0"
Base + 4" Uprights	9.0"
Base + 6" Uprights	11.0"
Base + 9"/Ratchet Uprights	14.0"

INSTR. NUMBER	PG:	REV:	ITEM NO.	PART NUMBER	DESCRIPTION	QTY.
: 66062	1	B	1	68040-W	PROFILE, MOUNTING ARM, SHORT,W	4
			2	63852-W	UTILITY, MOUNTING BRKT, W	4
PART NUMBER : TOPMBK4			3	47106	GASKET,FOOT,MR TRANS L/R	4
	PART DESC. : UTILITY,MNT BKT KT,TOP,4		4	66056	UTILITY, TOP SUPPORT PLATE	4
			5	68042	PROFILE FOOT MOUNTING PLATE	4

NOTE: THIS INSTRUCTION IS VALID FOR THE FOLLOWING KITS:

- TOPMBK4W (SHOWN)
- TOPMBK4B

**-PART NUMBERS WITH "-W" SUFFIX ARE PAINTED WHITE
-FOR BLACK MOUNTING KITS, REPLACE "-W" PARTS WITH "-B" PARTS**



GET TO KNOW THE VEHICLE - AT THE BEGINNING OF ANY INSTALLATION, CHECK THE LOCATION OF THE FUEL TANK, FUEL LINES, BRAKE LINES, HIGH VOLTAGE BATTERIES AND WIRING HARNESSSES TO AVOID INJURY OR PROPERTY DAMAGE FROM TOOL CONTACT.

SEAL ALL EXTERIOR HOLES - ALL INSTALLATION HOLES SHOULD BE SEALED WITH BUTYL TAPE OR SILICON TO PREVENT WATER AND EXHAUST GASES FROM ENTERING THE VEHICLE.

CONTROL DRILL DEPTH - TO AVOID DAMAGE TO THE VEHICLE, USE A DRILL STOP OR CLEARED STEP BIT WHEN DRILLING INSTALLATION HOLES.

ALWAYS ADD PRIMER - WHEN ADDING INSTALLATION HOLES BE SURE TO USE A SELF-ETCHING PRIMER TO PREVENT CORROSION, FASTENER FAILURE AND INJURY.

MOUNTING POINTS MUST HAVE METAL-TO-METAL CONTACT - USE PROVIDED MOUNTING SPACERS TO ACCOMMODATE FOR VEHICLE FEATURES, CARPET OR SUBFLOORS.

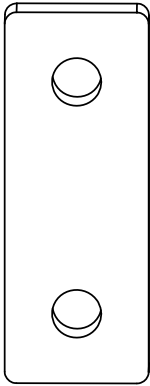
PROVIDE CLEARANCE FOR SPACERS - IF THE INSTALLATION VEHICLE CONTAINS A CARPET OR SUBFLOOR, USE A 1-3/16" DIAMETER CARPET CUTTER (P/N: 31183-0) AT ALL MOUNTING LOCATIONS TO OPEN UP ROOM FOR SPACERS.

CHECK SPACER ORIENTATION - BE SURE THAT THE INDENT IN THE SPACER COVERS THE PLUSNUT HEAD; THIS ENSURES THE MOST METAL-TO-METAL CONTACT AND REDUCES VIBRATION.

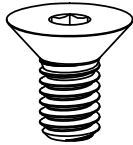
PLUSNUT INSTALLATION - A PLUSNUT GUN IS RECOMMENDED FOR PLUSNUT INSTALLATION FOR ITS PRODUCTION SPEED. HOWEVER, A PLUSNUT SETTING TOOL CAN ALSO BE USED (P/N: 22200-0).

THRU-BOLT CLEARANCE - WHEN USING A THRU-BOLT AT ANY MOUNTING LOCATION, BE SURE THAT YOUR HOLE HAS 1/16" CLEARANCE.

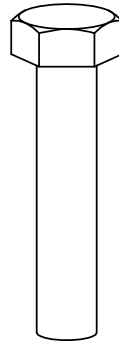
FASTENERS USED



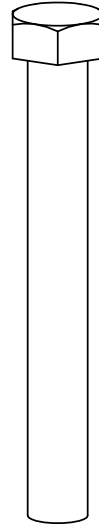
**68042
PROFILE FOOT
MOUNTING PLATE
QTY: 4**



**FAS0858
5/16-18X.63 SS
FHH SCREW
QTY: 8**



**FAS0242
5/16-18X1.5 SS
HH SCREW
QTY: 8**



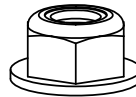
**FAS0243
5/16-18X2.5 SS
HH SCREW
QTY: 4**



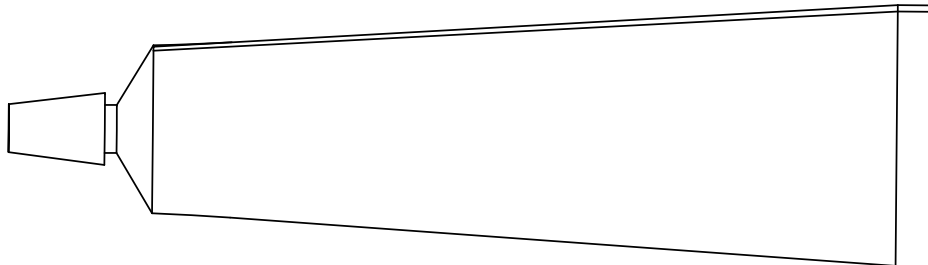
**FAS0552
5/16 SS
FLAT WASHER
QTY: 12**



**FAS0857
5/16 SS WASHER,
LCK EXT CS
QTY: 8**

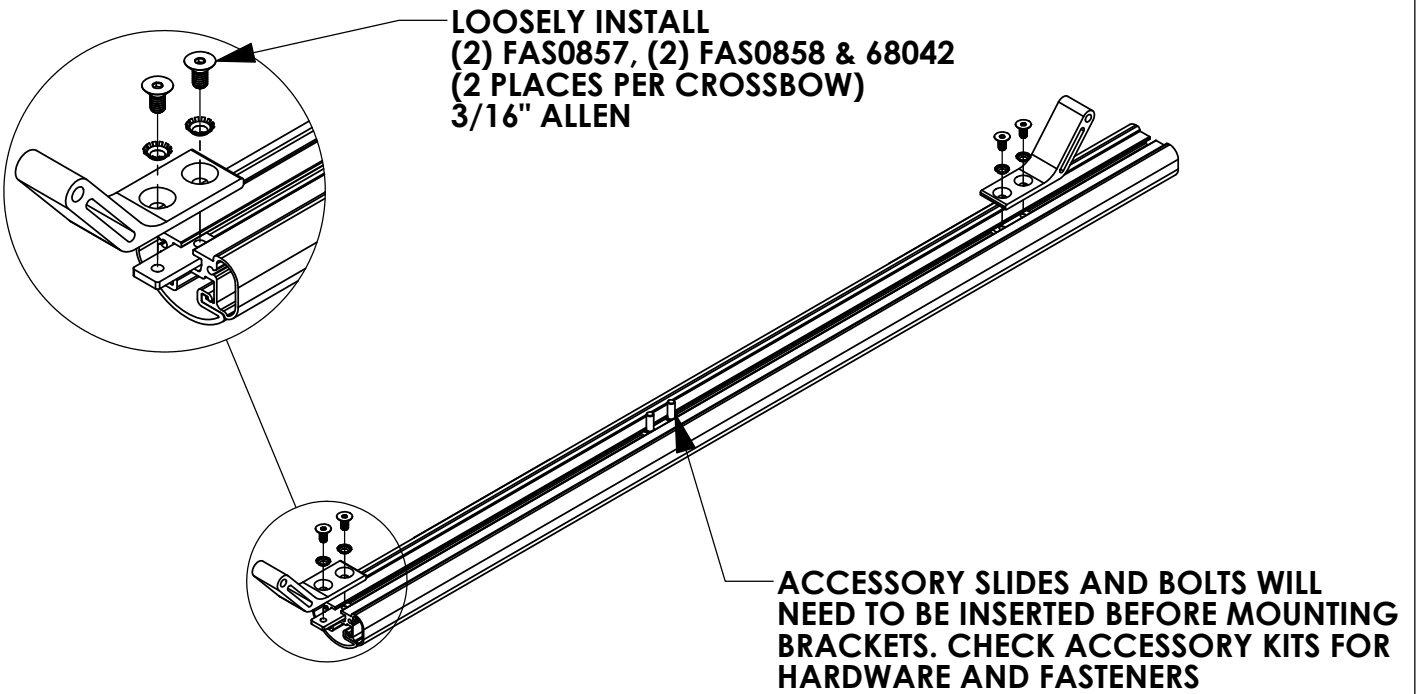


**FAS0861
5/16-18 SS
HH FLG NUT
QTY: 12**

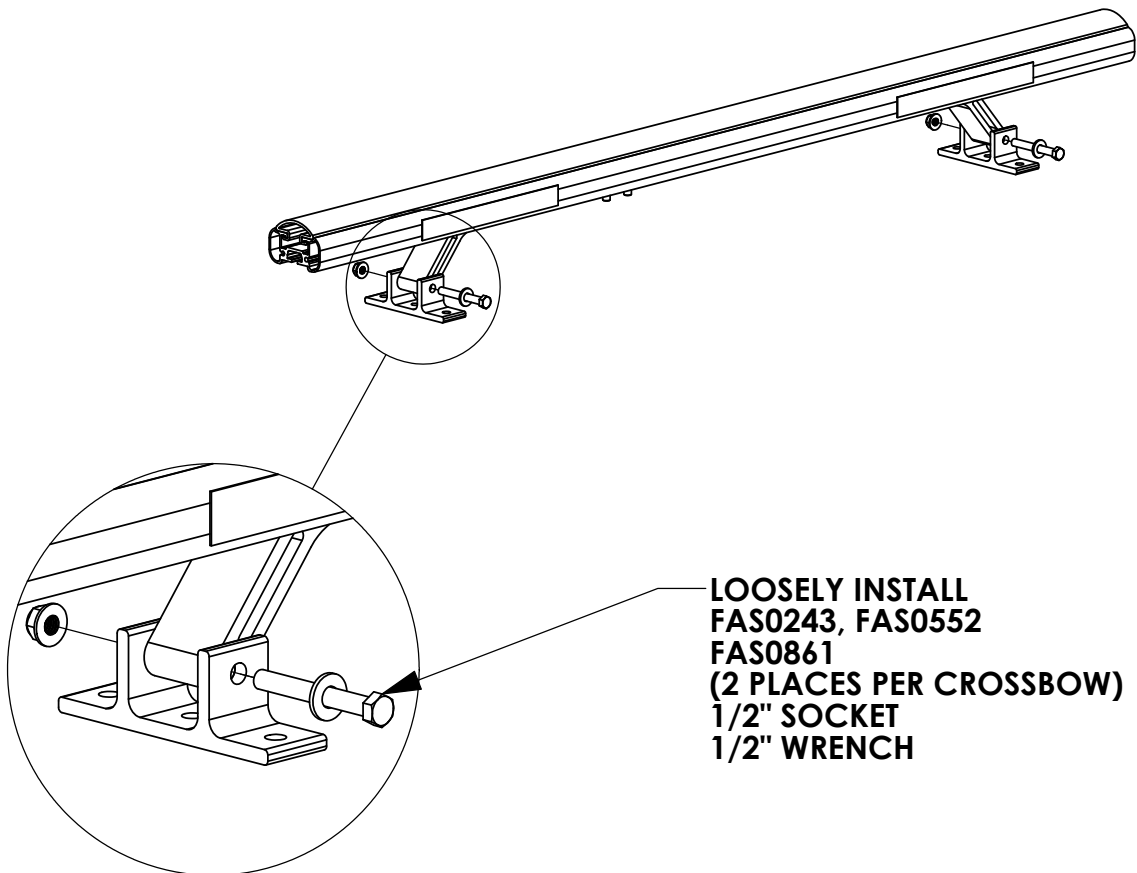


**26618-0
SILICONE
1 OZ TUBE
QTY: 1**

STEP 1 - ASSEMBLE MOUNTING ARMS TO CROSSBOW



STEP 2 - ATTACH CROSSBOW TO MOUNTING BRACKETS



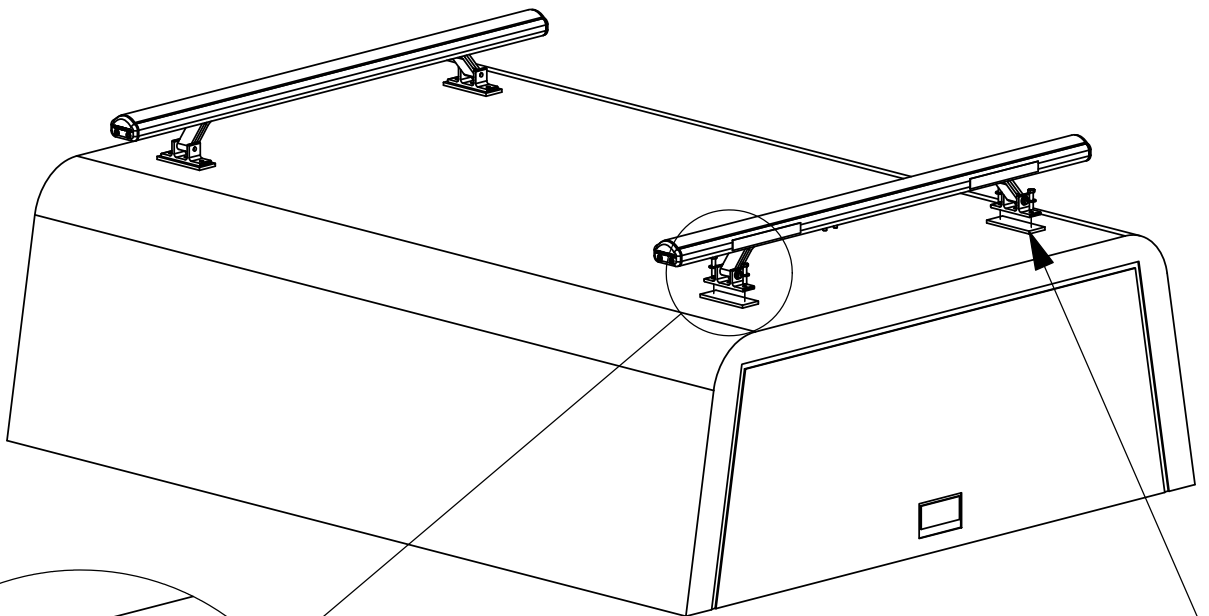
STEP 3 - INSTALL CROSSBOW ASSEMBLY TO TOPPER

LOCATE THE REINFORCEMENT PLATES ON BOTH SIDES OF TOPPER (FRONT AND REAR).

MOUNTING BRACKETS NEED TO BE ABOVE THESE WHEN INSTALLED!!!



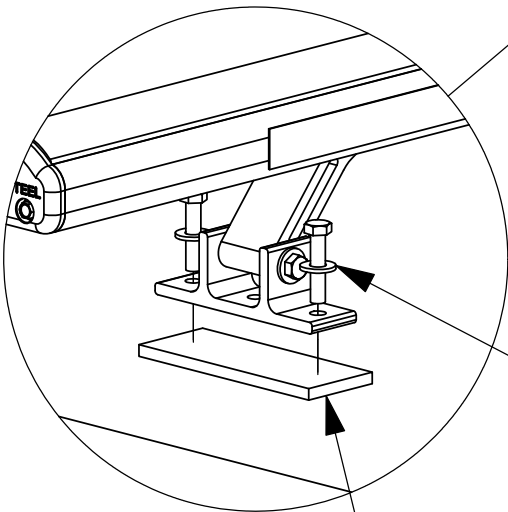
ENSURE HOLES ARE DRILLED SO FASTENERS CAN BE ACCESSED WHEN TIGHTENING!!!



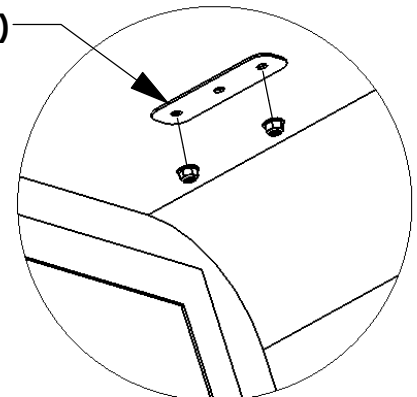
MARK OUTSIDE HOLES IN BRACKET AND DRILL (4 PLACES PER CROSSBOW) 1/32" DRILL BIT

ADD SILICONE AROUND DRILLED HOLES!

FAS0242, FAS0552
FAS0861
(4 PLACES PER CROSSBOW)
1/2" SOCKET
1/2" WRENCH



POKE FASTENERS THROUGH FOAM PAD



STEP 4 - SECURE CROSSBOW

**CENTER CROSSBOW AND
SECURE MOUNTING BRACKETS
(6 PLACES PER CROSSBOW)**

**1/2" SOCKET
1/2" WRENCH
3/16" ALLEN**

