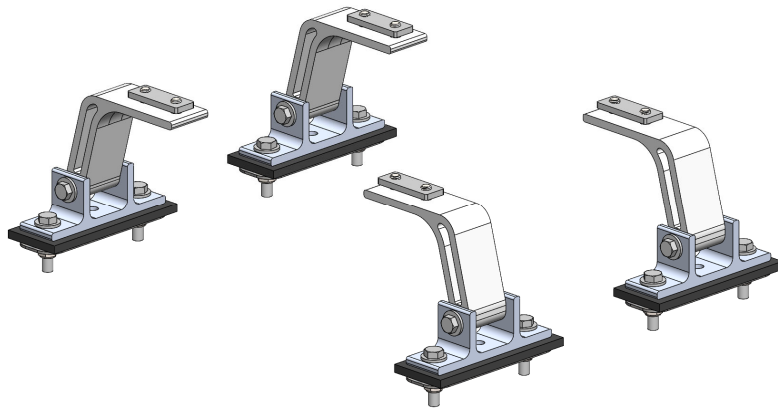




## Mounting Bracket Kit, 4-Pack, White, Service Body



PRODUCT WEIGHT  
**3.0 LBS**

HEIGHT OFF ROOF  
**SEE TABLE BELOW**

CAPACITY  
**REFER TO OEM'S  
RECOMMENDED LOAD  
RATING**  
COLOR

**WHITE**

CATALOG NUMBER

**SVBMBK4W**

### PRODUCT FEATURES

**Service body aluminum mounting bracket kit for the PROFILE™ HD Utility Rack. Mounting kit works for both Knapheide and Reading vehicles. Spacing between crossbows is fully adjustable.**

**SEE PAGE 2 FOR APPLICATION NOTES AND ACCESSORIES, OTHER PRODUCTS THAT WORK WITH THIS UNIT.**

### PAGE 1 of 2

The information contained in this document is the sole property of ADRIAN STEEL COMPANY. ADRIAN STEEL COMPANY retains the right to modify and/or change the product of its design at any time without prior notification.



**CATALOG NUMBER      **SVBMBK4W****

**PRODUCT APPLICATION**

**This product is designed to be installed on Knapheide and Reading service vehicles.**

**ACCESSORIES THAT WILL WORK WITH THIS PRODUCT**

CATALOG NUMBER	DESCRIPTION	CATALOG NUMBER	DESCRIPTION
SVBMBK2W	Mounting Bracket Kit, 2-Pack, White, Service Body	4UPK4B	4" Upright Kit, 4-Pack, Black
2BARW	2-Crossbar Kit, 68", White, Full Size Van	4UPK2B	4" Upright Kit, 2-Pack, Black
1BARW	Single Crossbar Kit, 68", White, Full Size Van	6UPK4B	6" Upright Kit, 4-Pack, Black
70-1NGLR	4" End Cap for PVC Conduit	6UPK2B	6" Upright Kit, 2-Pack, Black
70-2NGLR	6" End Cap for PVC Conduit	9UPK4B	9" Upright Kit, 4-Pack, Black
80-1NGLR	Conduit Kit, 10w x 6h x 126d, Multiple Vehicles	9UPK2B	9" Upright Kit, 2-Pack, Black
80-2NGLR	Conduit Kit, 10w x 6h x 150d, Multiple Vehicles	RSK1B	Single Ratchet Upright Kit, 9"
		ULSKB	Single Ladder Stop Kit

**LADDER RACK HEIGHTS MEASURED FROM ROOF OF VEHICLE**

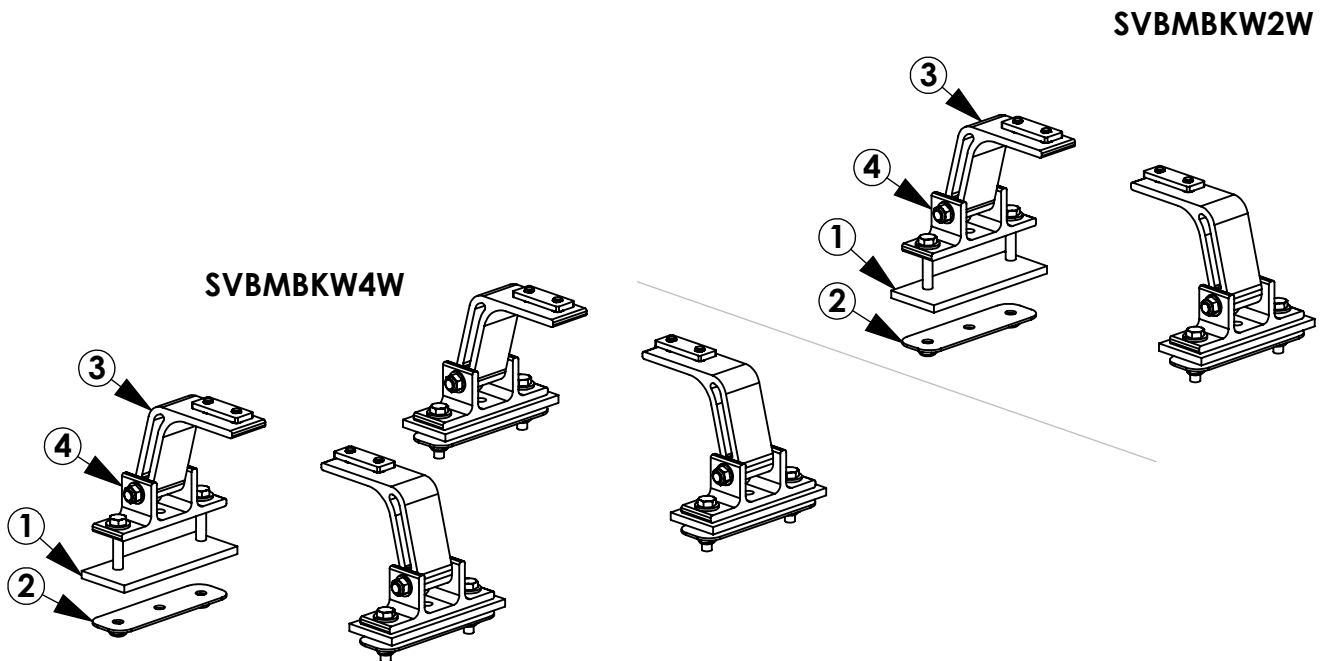
CONFIGURATION	RACK HEIGHT READING / KNAPHEIDE
Base Rack	5.3" / 4"
Base + Ladder Stop	10.8" / 9.5"
Base + 4" Uprights	8.8" / 7.5"
Base + 6" Uprights	10.8" / 9.5"
Base + 9"/Ratchet Uprights	13.8" / 12.5"
Base + 4" PVC Conduit Kit	9.7" / 8.4"
Base + 6" PVC Conduit Kit	11.7" / 10.4"
Base + Aluminum Box Conduit Kit	11.8" / 10.6"

INSTR. NUMBER : <b>66416</b>	PG: <b>1</b>	REV: <b>B</b>	ITEM NO.	PART NUMBER	DESCRIPTION	SVBMBK4W	SVBMBK2W
PART NUMBER : <b>SVBMBK</b>			1	47106	GASKET,FOOT,MR TRANS L/R	4	2
			2	66056	UTILITY, TOP SUPPORT PLATE	4	2
PART DESC. : UTILITY, MNT BKT KT, SVB			3	68202-W	PROFILE, MOUNTING ARM, W	4	2
			4	63852-W	UTILITY, MOUNTING BRKT, W	4	2

**-PART NUMBERS WITH "-W" SUFFIX ARE PAINTED WHITE  
-FOR BLACK MOUNTING KITS, REPLACE "-W" PARTS WITH "-B" PARTS**

**NOTE: THIS INSTRUCTION IS VALID FOR THE FOLLOWING KITS:**

- SVBMBK4W
- SVBMBK4B
- SVBMBK2W
- SVBMBK2B



**GET TO KNOW THE VEHICLE** - AT THE BEGINNING OF ANY INSTALLATION, CHECK THE LOCATION OF THE FUEL TANK, FUEL LINES, BRAKE LINES, HIGH VOLTAGE BATTERIES AND WIRING HARNESSSES TO AVOID INJURY OR PROPERTY DAMAGE FROM TOOL CONTACT.

**SEAL ALL EXTERIOR HOLES** - ALL INSTALLATION HOLES SHOULD BE SEALED WITH BUTYL TAPE OR SILICON TO PREVENT WATER AND EXHAUST GASES FROM ENTERING THE VEHICLE.

**CONTROL DRILL DEPTH** - TO AVOID DAMAGE TO THE VEHICLE, USE A DRILL STOP OR CLEARED STEP BIT WHEN DRILLING INSTALLATION HOLES.

**ALWAYS ADD PRIMER** - WHEN ADDING INSTALLATION HOLES BE SURE TO USE A SELF-ETCHING PRIMER TO PREVENT CORROSION, FASTENER FAILURE AND INJURY.

**MOUNTING POINTS MUST HAVE METAL-TO-METAL CONTACT** - USE PROVIDED MOUNTING SPACERS TO ACCOMMODATE FOR VEHICLE FEATURES, CARPET OR SUBFLOORS.

**PROVIDE CLEARANCE FOR SPACERS** - IF THE INSTALLATION VEHICLE CONTAINS A CARPET OR SUBFLOOR, USE A 1-3/16" DIAMETER CARPET CUTTER (P/N: 31183-0) AT ALL MOUNTING LOCATIONS TO OPEN UP ROOM FOR SPACERS.

**CHECK SPACER ORIENTATION** - BE SURE THAT THE INDENT IN THE SPACER COVERS THE PLUSNUT HEAD; THIS ENSURES THE MOST METAL-TO-METAL CONTACT AND REDUCES VIBRATION.

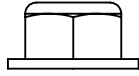
**PLUSNUT INSTALLATION** - A PLUSNUT GUN IS RECOMMENDED FOR PLUSNUT INSTALLATION FOR ITS PRODUCTION SPEED. HOWEVER, A PLUSNUT SETTING TOOL CAN ALSO BE USED (P/N: 22200-0).

**THRU-BOLT CLEARANCE** - WHEN USING A THRU-BOLT AT ANY MOUNTING LOCATION, BE SURE THAT YOUR HOLE HAS 1/16" CLEARANCE.

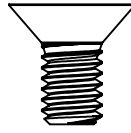
**FASTENERS USED**



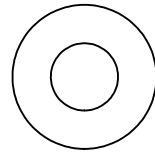
**FAS0857**  
5/16 SS  
WASHER,LCK EXT CS  
QTY: 8



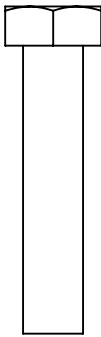
**FAS0861**  
5/16-18 SS  
HH FLG NUT  
QTY: 12



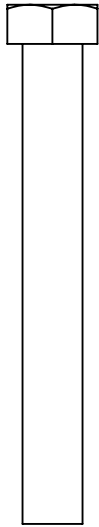
**FAS0858**  
5/16-18X.63  
FHH SCREW  
QTY: 8



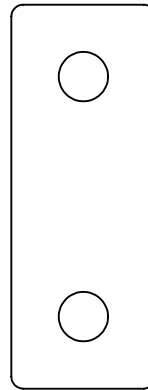
**FAS0552**  
5/16 SS  
FLAT WASHER  
QTY: 12



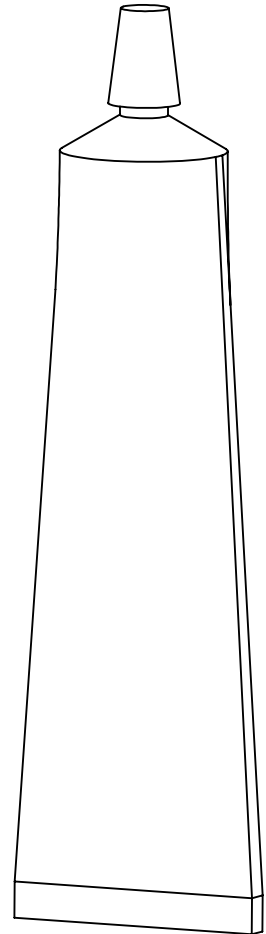
**FAS0242**  
5/16-18X1.5 SS  
HH SCREW  
QTY: 8



**FAS0243**  
5/16-18X2.5 SS  
HH SCREW  
QTY: 4

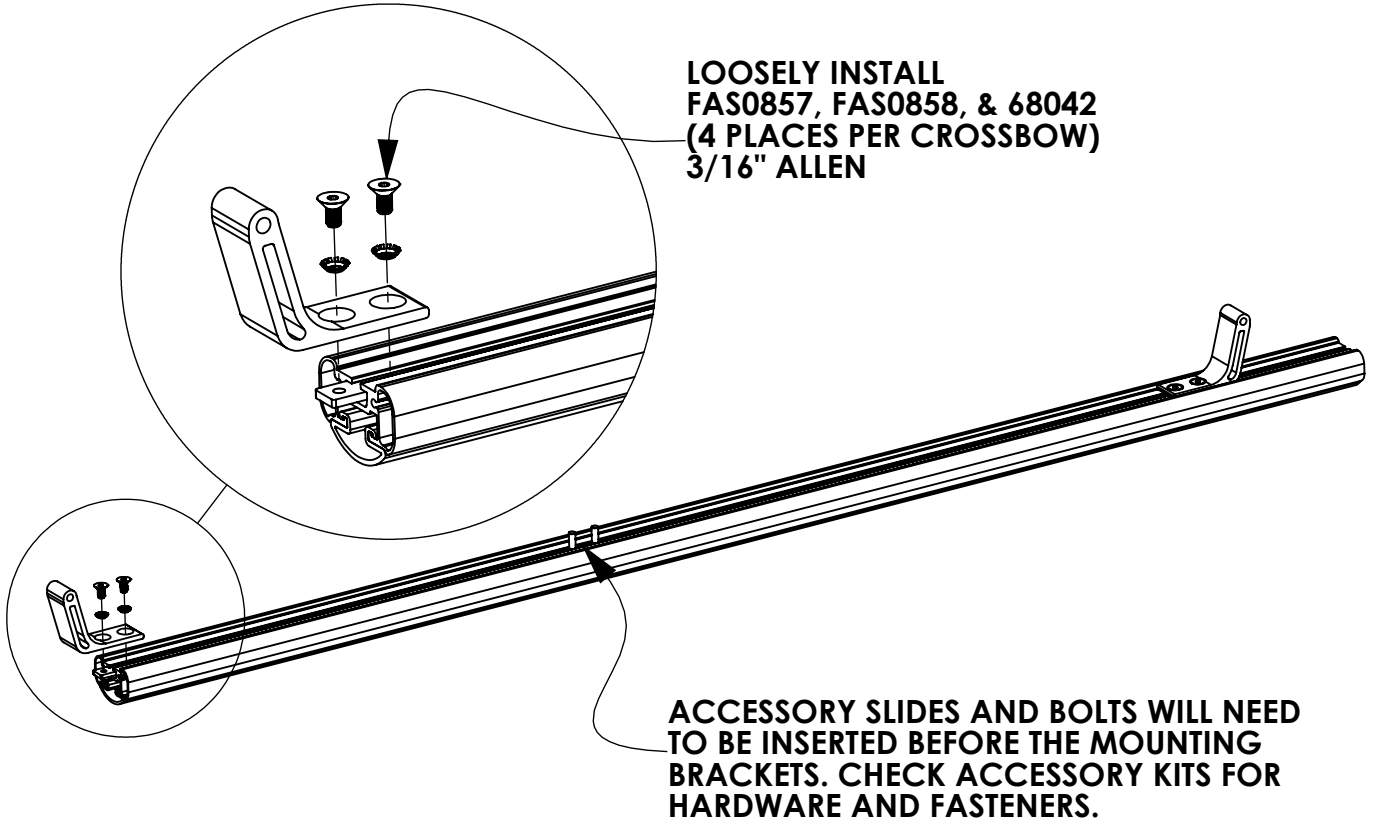


**68042**  
PROFILE FOOT  
MOUNTING PLATE  
QTY: 4



**26618-0**  
SILICONE,  
1 OZ TUBE  
QTY: 12

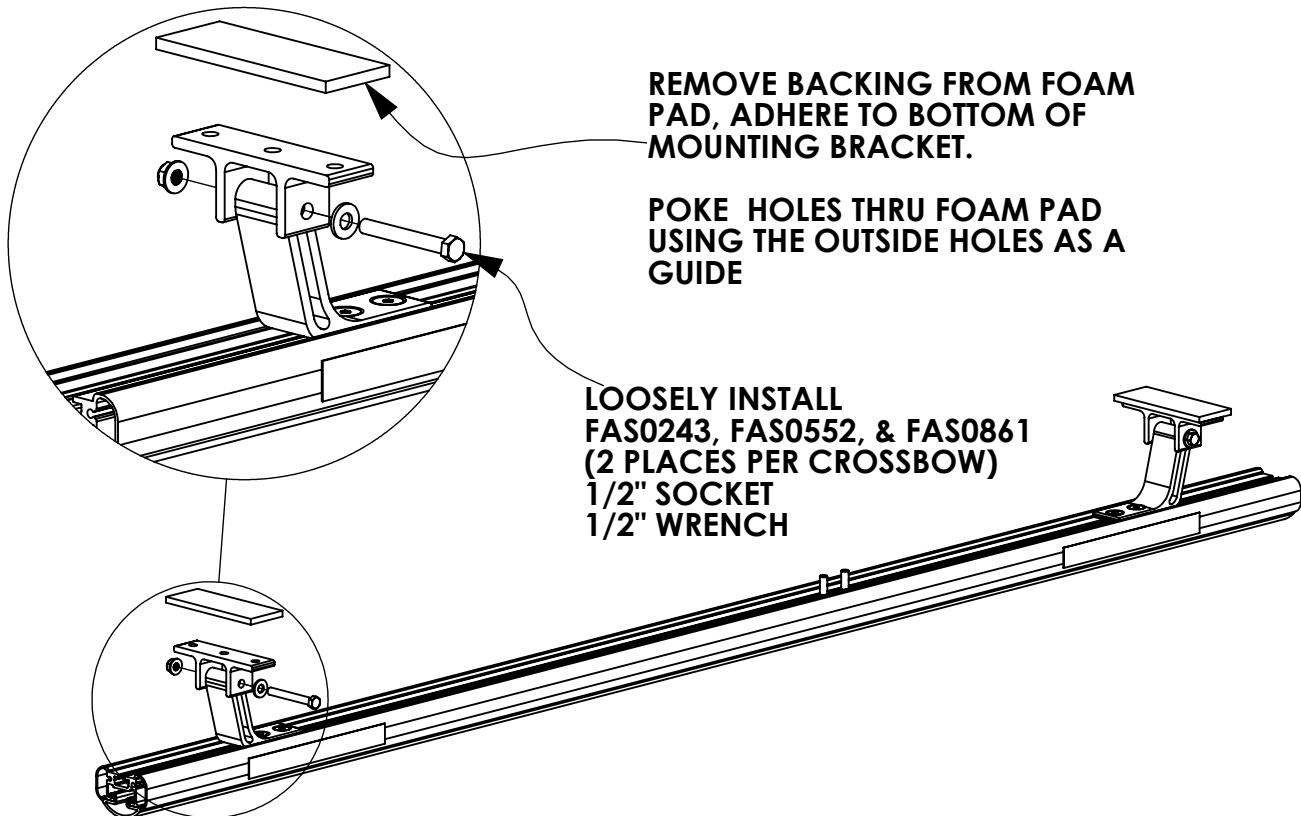
**STEP 1 - ASSEMBLE MOUNTING ARMS TO CROSSBOW**



LOOSELY INSTALL  
FAS0857, FAS0858, & 68042  
(4 PLACES PER CROSSBOW)  
3/16" ALLEN

ACCESSORY SLIDES AND BOLTS WILL NEED  
TO BE INSERTED BEFORE THE MOUNTING  
BRACKETS. CHECK ACCESSORY KITS FOR  
HARDWARE AND FASTENERS.

**STEP 4 - ASSEMBLE MOUNTING BRACKETS TO MOUNTING ARMS  
AND ADD FOAM STRIMS TO BOTTOM**



REMOVE BACKING FROM FOAM  
PAD, ADHERE TO BOTTOM OF  
MOUNTING BRACKET.

POKE HOLES THRU FOAM PAD  
USING THE OUTSIDE HOLES AS A  
GUIDE

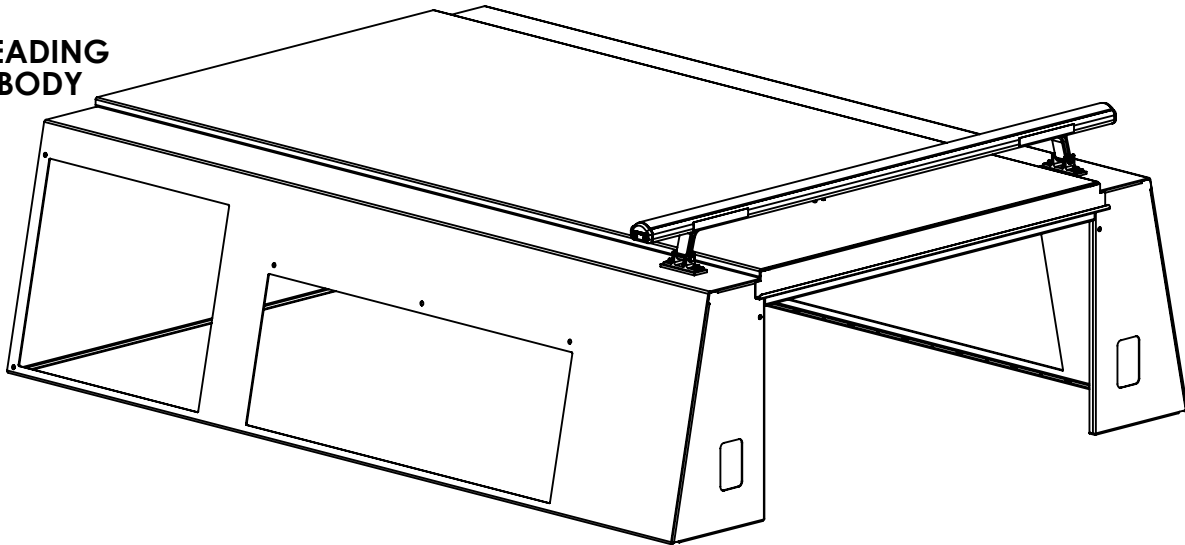
LOOSELY INSTALL  
FAS0243, FAS0552, & FAS0861  
(2 PLACES PER CROSSBOW)  
1/2" SOCKET  
1/2" WRENCH

**BEGIN INSTALLATION****STEP 7 - MARK LOCATIONS FOR MOUNTING RACK**

**MOUNT REAR CROSSBOW AS FAR REARWARD AS POSSIBLE.  
OTHER CROSSBOWS SHOULD BE SPACED TO FIT CUSTOMER'S PRODUCT.**

**IF INSTALLING "GRIP LOCK" OR "DROP DOWN" RACK, FULLY ASSEMBLE RACK ON TABLE BEFORE MOUNTING TO VEHICLE ROOF. REAR FACE OF CROSSBOW FOR DROP DOWN MUST BE MOUNTED 2"-12" FROM REAR OF VEHICLE. HANDLE MUST BE COMPLETELY WITHIN REAR BODYLINE OF VEHICLE**

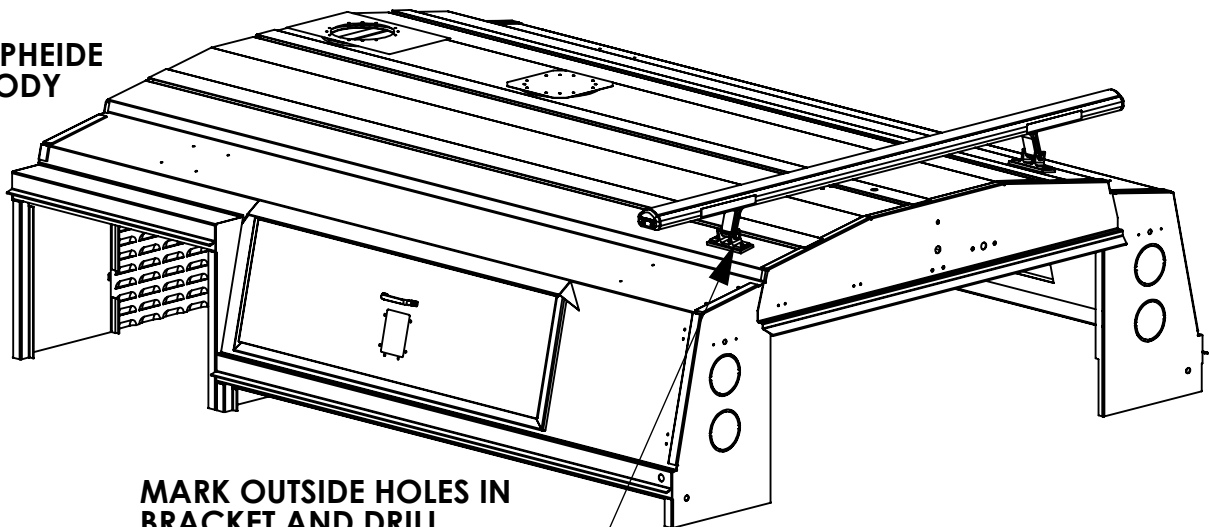
**READING  
BODY**



**SET CROSSBOW ON ROOF AS SHOWN, SPACE MOUNTING BRACKETS EVENLY ACROSS WIDTH OF SERVICE BODY.**

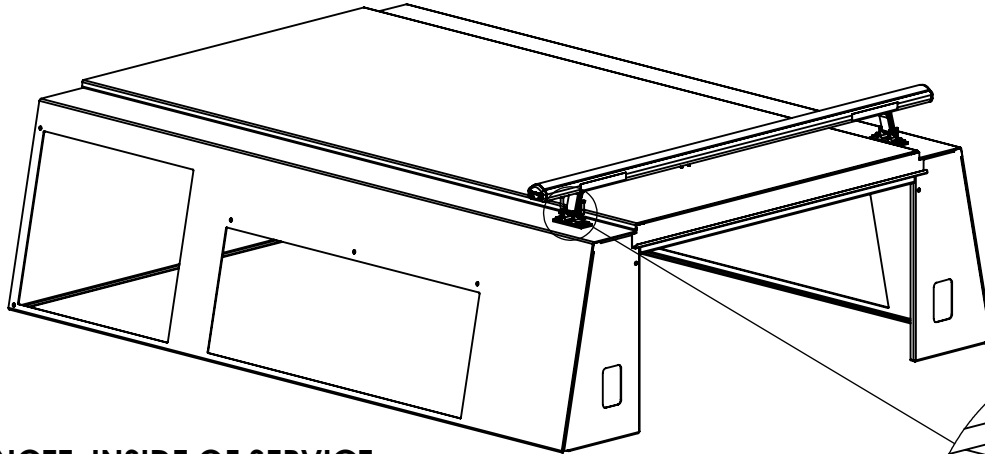
**MAKE SURE HOLES ARE DRILLED IN LOCATIONS THAT CAN BE EASILY ACCESSED TO TIGHTEN NUTS**

**KNAPHEIDE  
BODY**

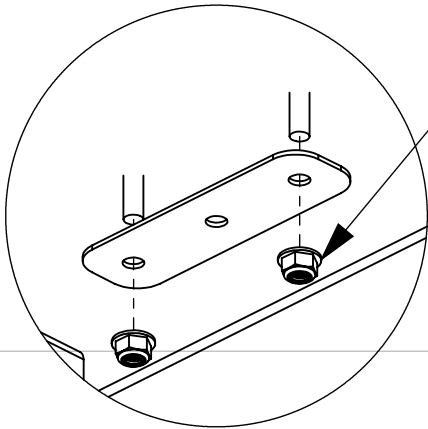


**MARK OUTSIDE HOLES IN  
BRACKET AND DRILL  
(4 PLACES PER CROSSBOW)  
11/32" DRILL BIT**

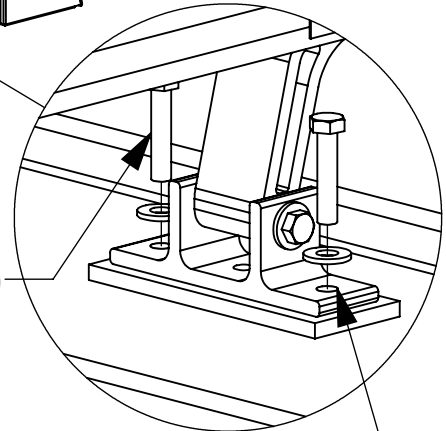
**STEP 8 - INSTALL BRACKETS TO ROOF OF SERVICE BODY**



**NOTE: INSIDE OF SERVICE BODY SHOWN HERE**

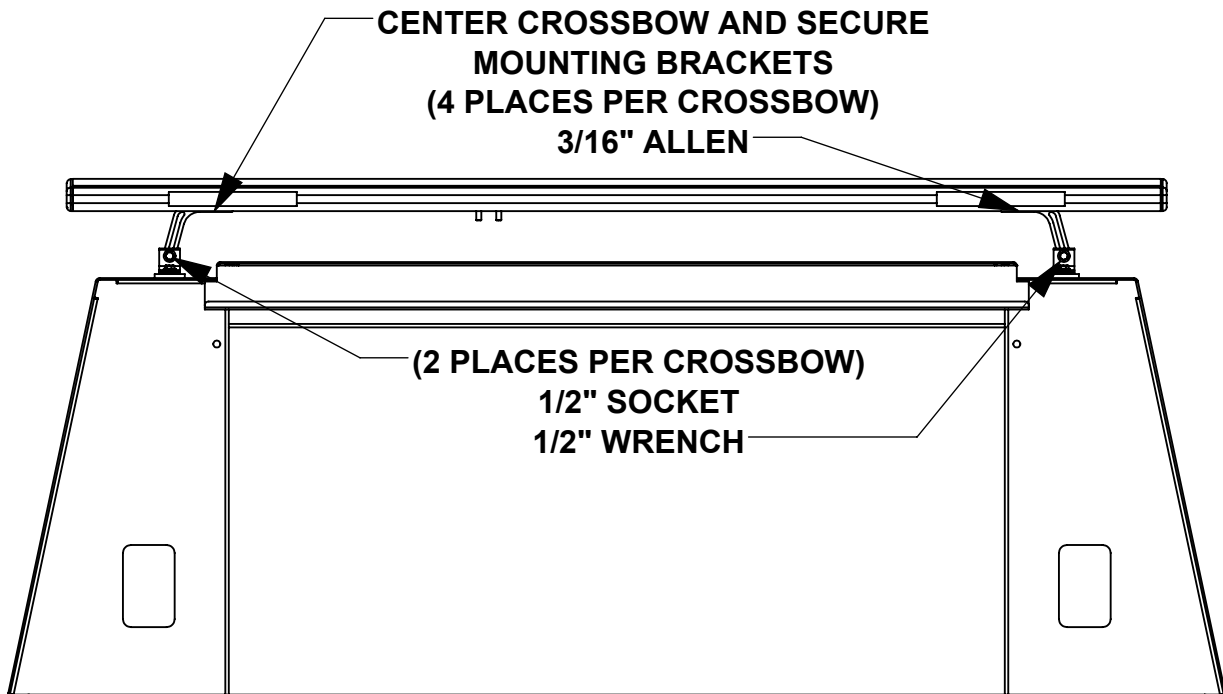


**FAS0242, (2) FAS0552  
FAS0861  
(4 PLACES PER CROSSBOW)  
1/2" SOCKET  
1/2" WRENCH**



**APPLY SILICONE  
TO DRILLED HOLES  
TO FILL GAPS**

**STEP 9 - SECURE CROSSBOW**



**CENTER CROSSBOW AND SECURE  
MOUNTING BRACKETS  
(4 PLACES PER CROSSBOW)  
3/16" ALLEN**

**(2 PLACES PER CROSSBOW)  
1/2" SOCKET  
1/2" WRENCH**