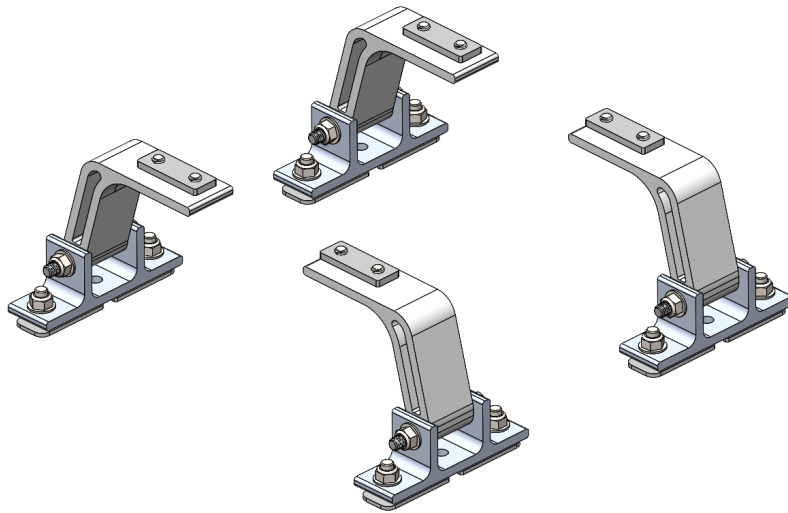




Mounting Bracket Kit for OEM Rail, 4-Pack, White, Sprinter



PRODUCT WEIGHT
4.1 LBS

HEIGHT OFF ROOF
SEE TABLE BELOW

CAPACITY
**REFER TO OEM'S
RECOMMENDED LOAD
RATING**
COLOR

WHITE

CATALOG NUMBER

SPRMBK4W

PRODUCT FEATURES

Mercedes Sprinter aluminum mounting bracket kit for the PROFILE™ HD Utility, grip lock, drop down, and combo ladder racks. Mounting kit works for low roof vehicles with the OEM roof rail option.

Utility and grip lock racks are not recommended for high roof vehicles!

SEE PAGE 2 FOR APPLICATION NOTES AND ACCESSORIES, OTHER PRODUCTS THAT WORK WITH THIS UNIT.

PAGE 1 of 2

The information contained in this document is the sole property of ADRIAN STEEL COMPANY. ADRIAN STEEL COMPANY retains the right to modify and/or change the product of its design at any time without prior notification.



CATALOG NUMBER **SPRMBK4W**

PRODUCT APPLICATION

This product is designed to be installed on Mercedes Sprinter vans with OEM roof rail option. HD Utility and grip lock racks are not recommended for high roof vehicles!

ACCESSORIES THAT WILL WORK WITH THIS PRODUCT

CATALOG NUMBER	DESCRIPTION	CATALOG NUMBER	DESCRIPTION
SPRMBK2W	Mounting Bracket Kit for OEM Rail, 2-Pack, White, Sprinter	4UPK4B	4" Upright Kit, 4-Pack, Black
2BARW	2-Crossbar Kit, 68", White, Full Size Van	4UPK2B	4" Upright Kit, 2-Pack, Black
1BARW	Single Crossbar Kit, 68", White, Full Size Van	6UPK4B	6" Upright Kit, 4-Pack, Black
70-1NGLR	4" End Cap for PVC Conduit	6UPK2B	6" Upright Kit, 2-Pack, Black
70-2NGLR	6" End Cap for PVC Conduit	9UPK4B	9" Upright Kit, 4-Pack, Black
80-1NGLR	Conduit Kit, 10w x 6h x 126d, Multiple Vehicles	9UPK2B	9" Upright Kit, 2-Pack, Black
80-2NGLR	Conduit Kit, 10w x 6h x 150d, Multiple Vehicles	RSK1B	Single Ratchet Upright Kit, 9"
		ULSKB	Single Ladder Stop Kit

LADDER RACK HEIGHTS MEASURED FROM ROOF OF VEHICLE

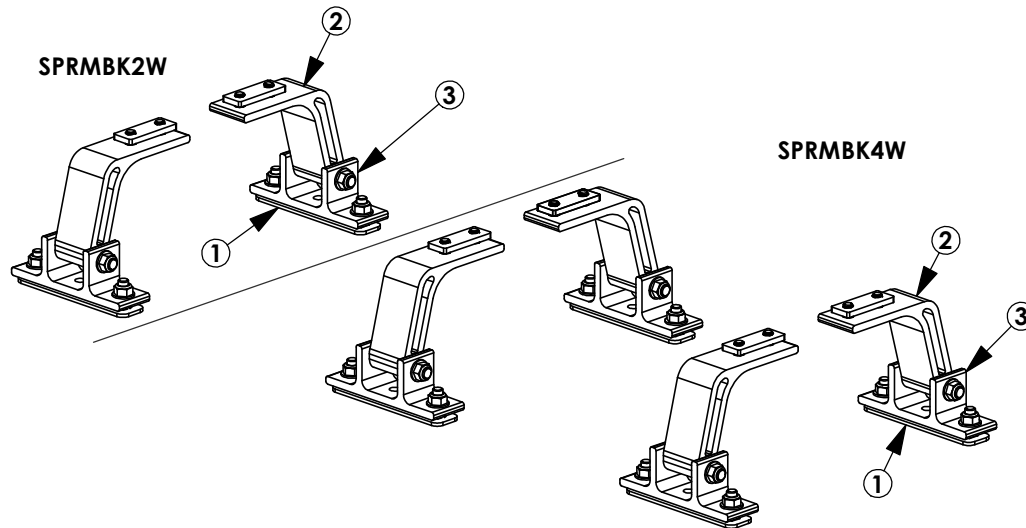
CONFIGURATION	RACK HEIGHT LOW / HIGH ROOF
Base Rack	5" / 5.6"
Base + Ladder Stop	10.5" / 11.1"
Base + 4" Uprights	8.5" / 9.1"
Base + 6" Uprights	10.5" / 11.1"
Base + 9"/Ratchet Uprights	13.5" / 14.1"
Base + 4" PVC Conduit Kit	9.4" / 10"
Base + 6" PVC Conduit Kit	11.4" / 12"
Base + Aluminum Box Conduit Kit	11.5" / 12.1"

INSTR. NUMBER	PG:	REV:	ITEM NO.	PART NUMBER	DESCRIPTION	SPRMBK4W	SPRMBK2W
: 64712	1	D	1	63911	UTILITY, PM MOUNT PLATE	4	2
			2	68202-W	PROFILE, MOUNTING ARM, W	4	2
PART NUMBER : SPRMBK			3	63852-W	UTILITY, MOUNTING BRKT, W	4	2
PART DESC. : UTILITY,MNT BKT,SP RL			4	68042	PROFILE FOOT MOUNTING PLATE	2	-
			5	FAS0857	WASHER,LCK EXT CS 5/16 SS	5	-
			6	FAS0858	SCREW,FHH 5/16-18X.63 SS	5	-

NOTE: THIS INSTRUCTION IS VALID FOR THE FOLLOWING KITS TO MOUNT TO THE SPRINTER OEM ROOF RAIL:

**-PART NUMBERS WITH "-W" SUFFIX ARE PAINTED WHITE
-FOR BLACK MOUNTING KITS, REPLACE "-W" PARTS WITH "-B" PARTS**

- SPRMBK4W
- SPRMBK2W
- SPRMBK4B
- SPRMBK2B



GET TO KNOW THE VEHICLE - AT THE BEGINNING OF ANY INSTALLATION, CHECK THE LOCATION OF THE FUEL TANK, FUEL LINES, BRAKE LINES, HIGH VOLTAGE BATTERIES AND WIRING HARNESSES TO AVOID INJURY OR PROPERTY DAMAGE FROM TOOL CONTACT.

SEAL ALL EXTERIOR HOLES - ALL INSTALLATION HOLES SHOULD BE SEALED WITH BUTYL TAPE OR SILICON TO PREVENT WATER AND EXHAUST GASES FROM ENTERING THE VEHICLE.

CONTROL DRILL DEPTH - TO AVOID DAMAGE TO THE VEHICLE, USE A DRILL STOP OR CLEARED STEP BIT WHEN DRILLING INSTALLATION HOLES.

ALWAYS ADD PRIMER - WHEN ADDING INSTALLATION HOLES BE SURE TO USE A SELF-ETCHING PRIMER TO PREVENT CORROSION, FASTENER FAILURE AND INJURY.

MOUNTING POINTS MUST HAVE METAL-TO-METAL CONTACT - USE PROVIDED MOUNTING SPACERS TO ACCOMMODATE FOR VEHICLE FEATURES, CARPET OR SUBFLOORS.

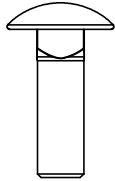
PROVIDE CLEARANCE FOR SPACERS - IF THE INSTALLATION VEHICLE CONTAINS A CARPET OR SUBFLOOR, USE A 1-3/16" DIAMETER CARPET CUTTER (P/N: 31183-0) AT ALL MOUNTING LOCATIONS TO OPEN UP ROOM FOR SPACERS.

CHECK SPACER ORIENTATION - BE SURE THAT THE INDENT IN THE SPACER COVERS THE PLUSNUT HEAD; THIS ENSURES THE MOST METAL-TO-METAL CONTACT AND REDUCES VIBRATION.

PLUSNUT INSTALLATION - A PLUSNUT GUN IS RECOMMENDED FOR PLUSNUT INSTALLATION FOR ITS PRODUCTION SPEED. HOWEVER, A PLUSNUT SETTING TOOL CAN ALSO BE USED (P/N: 22200-0).

THRU-BOLT CLEARANCE - WHEN USING A THRU-BOLT AT ANY MOUNTING LOCATION, BE SURE THAT YOUR HOLE HAS 1/16" CLEARANCE.

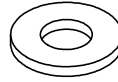
FASTENERS USED



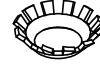
FAS0398
5/16-18X1.0 SS
CRG BOLT
QTY: 8



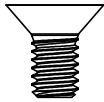
FAS0861
5/16-18 SS
HH FLG NUT
QTY: 12



FAS0552
5/16 SS
FLAT WASHER
QTY: 4



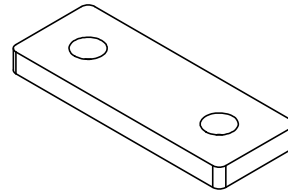
FAS0857
5/16 SS
WASHER,LCK EXT CS
QTY: 8



FAS0858
5/16-18X.63
FHH SCREW
QTY: 8



FAS0243
5/16-18X2.5 SS
HH SCREW
QTY: 4

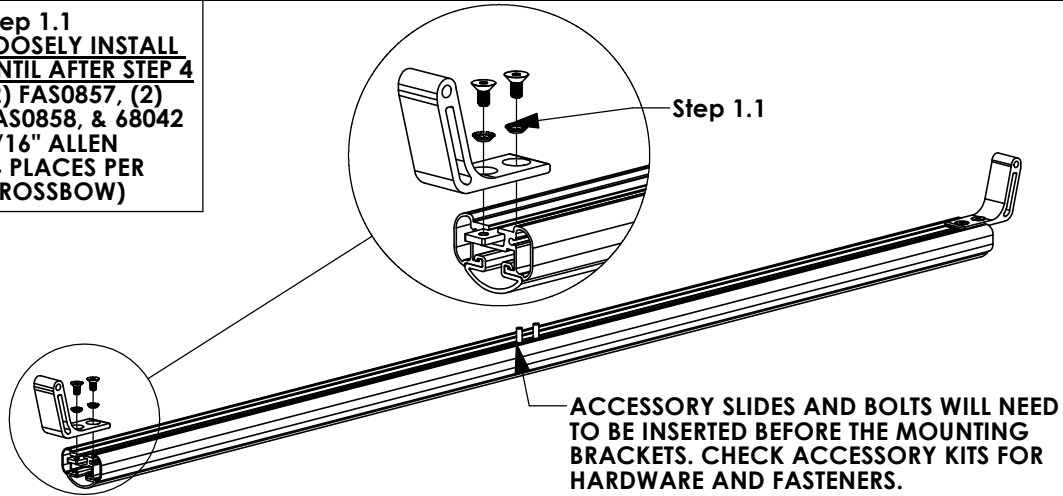


68042
PROFILE FOOT
MOUNTING PLATE
QTY: 4

INTENTIONALLY LEFT BLANK

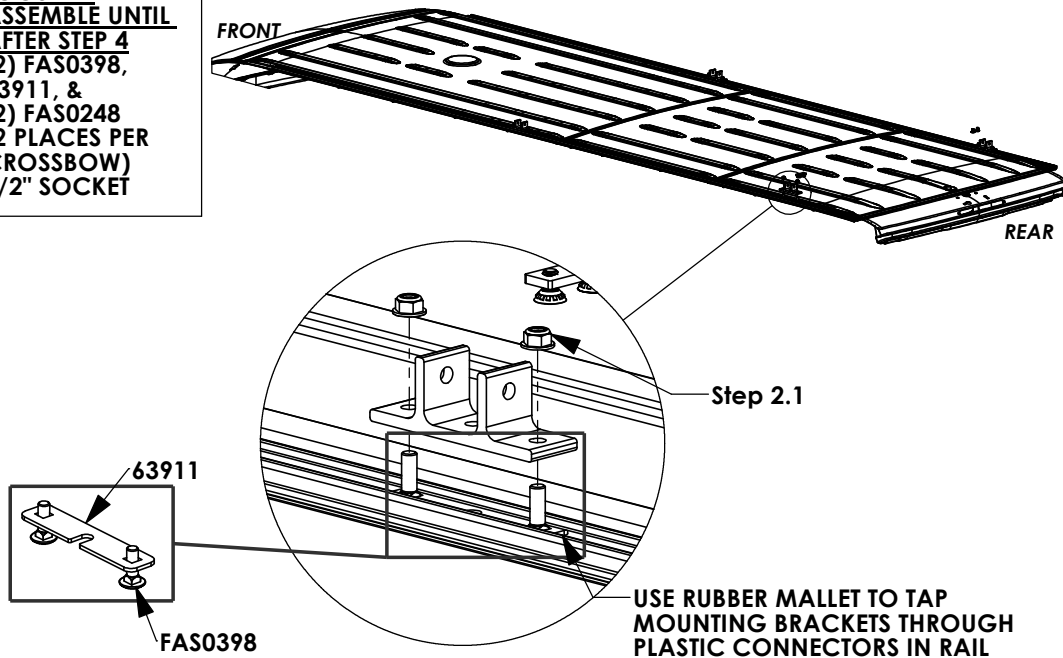
STEP 1 - ASSEMBLE MOUNTING ARMS TO CROSSBOW

Step 1.1
LOOSELY INSTALL
UNTIL AFTER STEP 4
(2) FAS0857, (2)
FAS0858, & 68042
3/16" ALLEN
(4 PLACES PER
CROSSBOW)



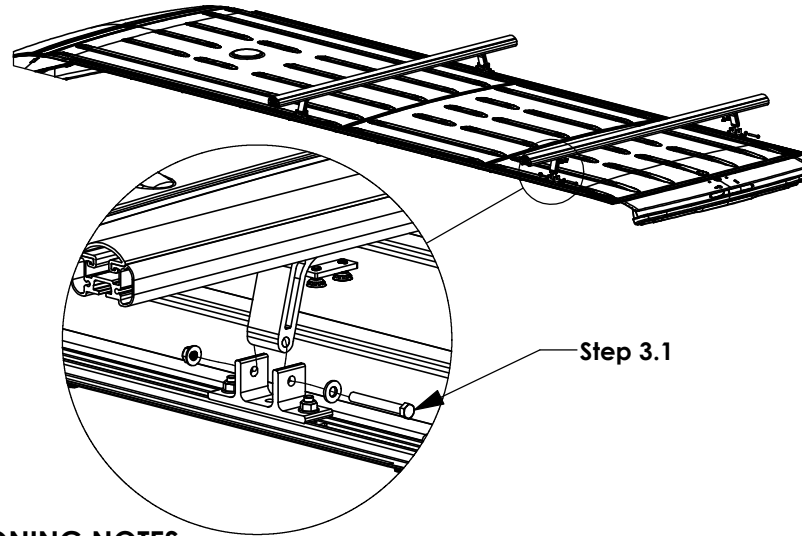
STEP 2 - INSTALL MOUNTING BRACKETS TO VAN ROOF

Step 2.1:
LOOSELY
ASSEMBLE UNTIL
AFTER STEP 4
(2) FAS0398,
63911, &
(2) FAS0248
(2 PLACES PER
CROSSBOW)
1/2" SOCKET



STEP 3 - ATTACH CROSSBOW ASSEMBLY TO ROOF

Step 3.1
LOOSELY ASSEMBLE
UNTIL AFTER STEP 4
FAS0243, FAS0552,
& FAS0861
(2 PLACES PER
CROSSBOW)
1/2" SOCKET
1/2" WRENCH



CROSSBOW POSITIONING NOTES:

HD UTILITY RACK -

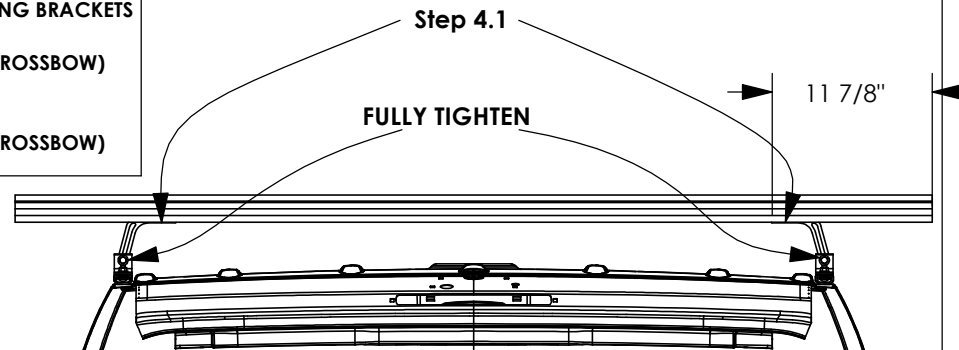
REAR CROSSBOW - REARWARD AS POSSIBLE
FRONT CROSSBOW- POSITION TO BEST FIT END USER'S PRODUCT

GRIP LOCK/PROLIFT LADDER RACKS -

REFER TO RESPECTIVE INSTRUCTION FOR CROSSBOW PLACEMENT.

STEP 4 - SECURE CROSSBOW

Step 4.1
CENTER CROSSBOW AND
SECURE MOUNTING BRACKETS
3/16" ALLEN
(4 PLACES PER CROSSBOW)
1/2" SOCKET
1/2" WRENCH
(2 PLACES PER CROSSBOW)



AFTER POSITIONING CROSSBOWS, FULLY TIGHTEN FASTENERS FROM STEP 1, 2 & 3