



Mounting Bracket Kit, 2-Pack, White, Sprinter

PRODUCT WEIGHT
2 LBS

HEIGHT OFF ROOF

SEE TABLE BELOW

CAPACITY

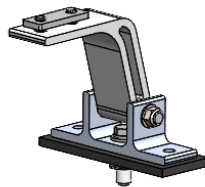
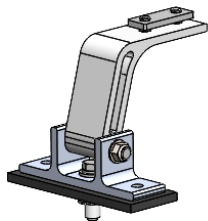
**REFER TO OEM'S
RECOMMENDED LOAD
RATING**

COLOR

WHITE

CATALOG NUMBER

SPMBK2W



PRODUCT FEATURES

Mercedes Sprinter aluminum mounting bracket kit for the PROFILE™ HD Utility Racks to add additional crossbows to 2-Bar rack. Mounting kit works for low roof vehicles without the OEM roof rail option. Can be mounted to any OEM mounting locations to best fit customer's product.

Utility racks are not recommended for high roof vehicles!

Does not work with grip lock or drop down style racks.

SEE PAGE 2 FOR APPLICATION NOTES AND ACCESSORIES, OTHER PRODUCTS THAT WORK WITH THIS UNIT.

PAGE 1 of 2

The information contained in this document is the sole property of ADRIAN STEEL COMPANY. ADRIAN STEEL COMPANY retains the right to modify and/or change the product of its design at any time without prior notification.



CATALOG NUMBER SPMBK2W

PRODUCT APPLICATION

This product is designed to be installed on Mercedes Sprinter vans without OEM roof rail option. HD Utility Racks are not recommended for high roof vehicles!

ACCESSORIES THAT WILL WORK WITH THIS PRODUCT

CATALOG NUMBER	DESCRIPTION	CATALOG NUMBER	DESCRIPTION
SPMBK4W	Mounting Bracket Kit, 4-Pack, White, Sprinter	4UPK4B	4" Upright Kit, 4-Pack, Black
2BARW	2-Crossbar Kit, 68", White, Full Size Van	4UPK2B	4" Upright Kit, 2-Pack, Black
1BARW	Single Crossbar Kit, 68", White, Full Size Van	6UPK4B	6" Upright Kit, 4-Pack, Black
RRBSPW*	Rear Roller Assist Bar, White, Sprinter	6UPK2B	6" Upright Kit, 2-Pack, Black
70-1NGLR	4" End Cap for PVC Conduit	9UPK4B	9" Upright Kit, 4-Pack, Black
70-2NGLR	6" End Cap for PVC Conduit	9UPK2B	9" Upright Kit, 2-Pack, Black
80-1NGLR	Conduit Kit, 10w x 6h x 126d, Multiple Vehicles	RSK1B	Single Ratchet Upright Kit, 9"
80-2NGLR	Conduit Kit, 10w x 6h x 150d, Multiple Vehicles	ULSKB	Single Ladder Stop Kit

*Does not work with high roof vehicles!

LADDER RACK HEIGHTS MEASURED FROM ROOF OF VEHICLE

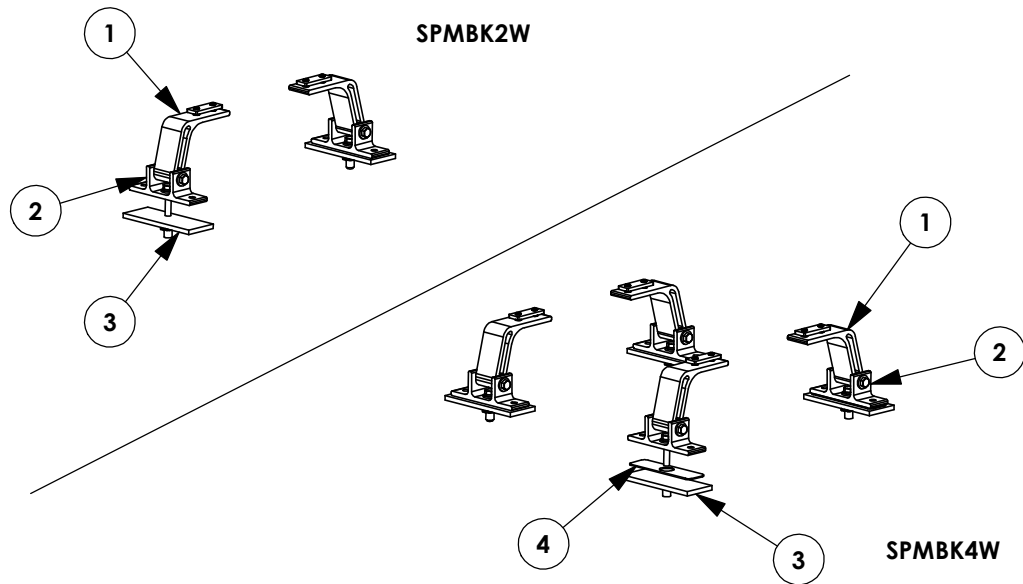
CONFIGURATION	RACK HEIGHT LOW / HIGH ROOF
Base Rack	4.3" / 4.9"
Base + Ladder Stop	9.8" / 10.4"
Base + 4" Uprights	7.8" / 8.4"
Base + 6" Uprights	9.8" / 10.4"
Base + 9"/Ratchet Uprights	12.8" / 13.4"
Base + 4" PVC Conduit Kit	8.7" / 9.3"
Base + 6" PVC Conduit Kit	10.7" / 11.3"
Base + Aluminum Box Conduit Kit	10.8" / 11.4"

INSTR. NUMBER : 63658	PG: 1	REV: D	ITEM NO.	PART NUMBER	DESCRIPTION	SPMBK4W	SPMBK2W
	PART NUMBER : SPMBK		1	68202-W	PROFILE, MOUNTING ARM, W	4	2
PART DESC. : UTILITY,MNT BKT KT,SP			2	63852-W	UTILITY, MOUNTING BRKT, W	4	2
			3	47106	GASKET,FOOT,MR TRANS L/R	4	2
			4	64930	UTILITY, TRANS CON SPACER	2	-

NOTE: THIS INSTRUCTION IS VALID FOR THE FOLLOWING KITS:

**-PART NUMBERS WITH "-W" SUFFIX ARE PAINTED WHITE
- FOR BLACK MOUNTING KITS, REPLACE "-W" PARTS WITH "-B" PARTS**

- SPMBK4W
- SPMBK2W
- SPMBK4B
- SPMBK2B



GET TO KNOW THE VEHICLE - AT THE BEGINNING OF ANY INSTALLATION, CHECK THE LOCATION OF THE FUEL TANK, FUEL LINES, BRAKE LINES, HIGH VOLTAGE BATTERIES AND WIRING HARNESSSES TO AVOID INJURY OR PROPERTY DAMAGE FROM TOOL CONTACT.

SEAL ALL EXTERIOR HOLES - ALL INSTALLATION HOLES SHOULD BE SEALED WITH BUTYL TAPE OR SILICON TO PREVENT WATER AND EXHAUST GASES FROM ENTERING THE VEHICLE.

CONTROL DRILL DEPTH - TO AVOID DAMAGE TO THE VEHICLE, USE A DRILL STOP OR CLEARED STEP BIT WHEN DRILLING INSTALLATION HOLES.

ALWAYS ADD PRIMER - WHEN ADDING INSTALLATION HOLES BE SURE TO USE A SELF-ETCHING PRIMER TO PREVENT CORROSION, FASTENER FAILURE AND INJURY.

MOUNTING POINTS MUST HAVE METAL-TO-METAL CONTACT - USE PROVIDED MOUNTING SPACERS TO ACCOMMODATE FOR VEHICLE FEATURES, CARPET OR SUBFLOORS.

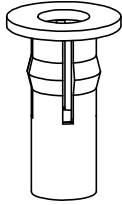
PROVIDE CLEARANCE FOR SPACERS - IF THE INSTALLATION VEHICLE CONTAINS A CARPET OR SUBFLOOR, USE A 1-3/16" DIAMETER CARPET CUTTER (P/N: 31183-0) AT ALL MOUNTING LOCATIONS TO OPEN UP ROOM FOR SPACERS.

CHECK SPACER ORIENTATION - BE SURE THAT THE INDENT IN THE SPACER COVERS THE PLUSNUT HEAD; THIS ENSURES THE MOST METAL-TO-METAL CONTACT AND REDUCES VIBRATION.

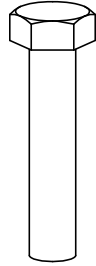
PLUSNUT INSTALLATION - A PLUSNUT GUN IS RECOMMENDED FOR PLUSNUT INSTALLATION FOR ITS PRODUCTION SPEED. HOWEVER, A PLUSNUT SETTING TOOL CAN ALSO BE USED (P/N: 22200-0).

THRU-BOLT CLEARANCE - WHEN USING A THRU-BOLT AT ANY MOUNTING LOCATION, BE SURE THAT YOUR HOLE HAS 1/16" CLEARANCE.

FASTENERS USED



FAS0091
5/16-18 PB
PLUSNUT
QTY: 4



FAS0242
5/16-18 X 1.5 SS
HH SCREW
QTY: 4



FAS0243
5/16-18 X 2.5 SS
HH SCREW
QTY: 4



FAS0552
5/16 SS
FLAT WASHER
QTY: 8



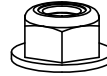
FAS0588
5/16 SS
SPLIT WASHER
QTY: 4



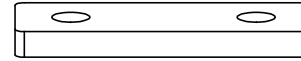
FAS0857
5/16 SS, CS
LCK EXT WASHER
QTY: 8



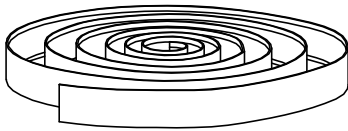
FAS0858
5/16-18 X .625 SS
FHH SCREW
QTY: 8



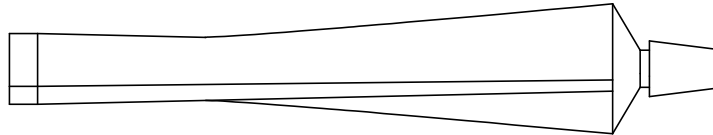
FAS0861
5/16-18 SS
HFLNG NUT
QTY: 4



68042
PROFILE FOOT
MTG PLATE
QTY: 4



05586-0
BUTYL TAPE
T224 1FT ROLL
QTY: 1

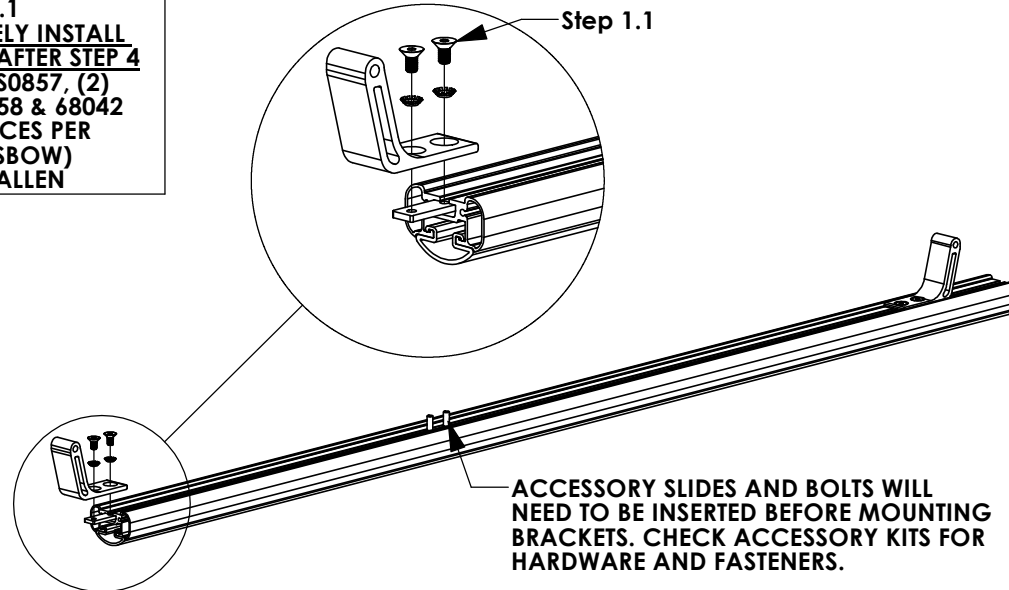


26618-0
SILICONE
1 OZ TUBE
QTY: 1

INTENTIONALLY LEFT BLANK

STEP 1 - ASSEMBLE MOUNTING ARMS TO CROSSBOW

Step 1.1
LOOSELY INSTALL
UNTIL AFTER STEP 4
 (2) FAS0857, (2)
 FAS0858 & 68042
 (2 PLACES PER
 CROSSBOW)
 3/16" ALLEN

**STEP 2 - INSTALL MOUNTING BRACKETS TO VEHICLE ROOF**

Step 2.1
 FAS0242, FAS0588,
 FAS0552, FAS091
 (2 PLACES PER CROSSBOW)
 1/2" SOCKET
 5/16"-18 PLUSNUT GUN

Step 2.2
 OPEN UP OEM HOLE
 WITH 1/2" DRILL BIT. USE
 A DRILL STOP TO PREVENT
 DAMAGE TO MATERIAL
 UNDER HOLE

STEP 2.3:
 64930 SPACER ONLY USED
 ON REAR
 CROSSBOW

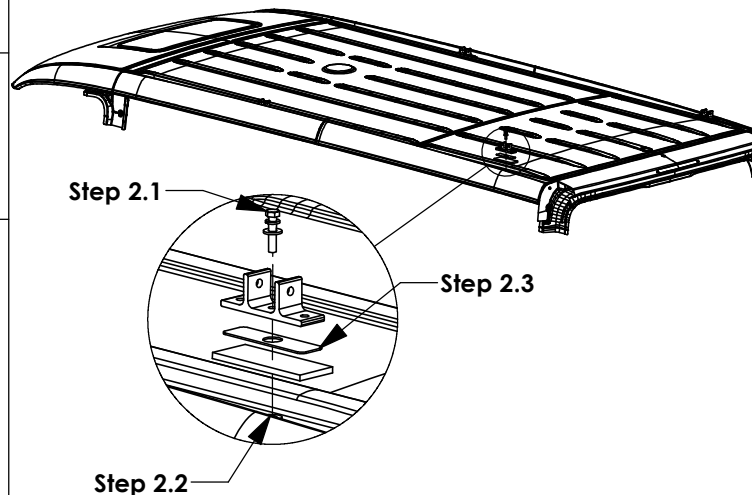
**POKE FASTENERS THRU
 FOAM PAD**

**APPLY SILICONE AND BUTYL
 TAPE TO
 BOLT BEFORE TIGHTENING**

CROSSBOW POSITIONING NOTES:

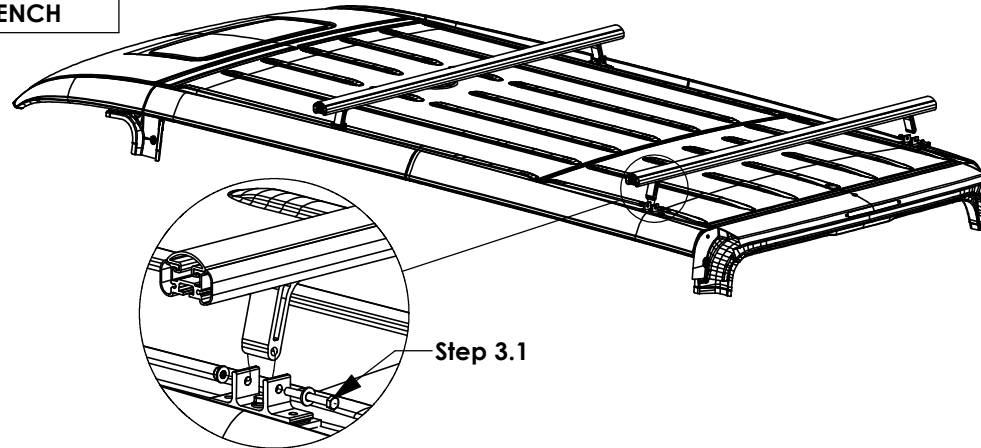
REAR CROSSBOW - REAR OEM MOUNTING LOCATION

FRONT CROSSBOW - POSITION TO BEST FIT END USER'S PRODUCT



STEP 3 - ATTACH CROSSBOW ASSEMBLY TO MOUNTING BRACKETS

Step 3.1
FAS0243, FAS0522,
FAS0861
(2 PLACES PER
CROSSBOW)
1/2" SOCKET
1/2" WRENCH



STEP 4 - SECURE CROSSBOW

Step 4.1
CENTER CROSSBOW AND
SECURE MOUNTING
BRACKETS
(4 PLACES PER
CROSSBOW)
3/16" ALLEN

