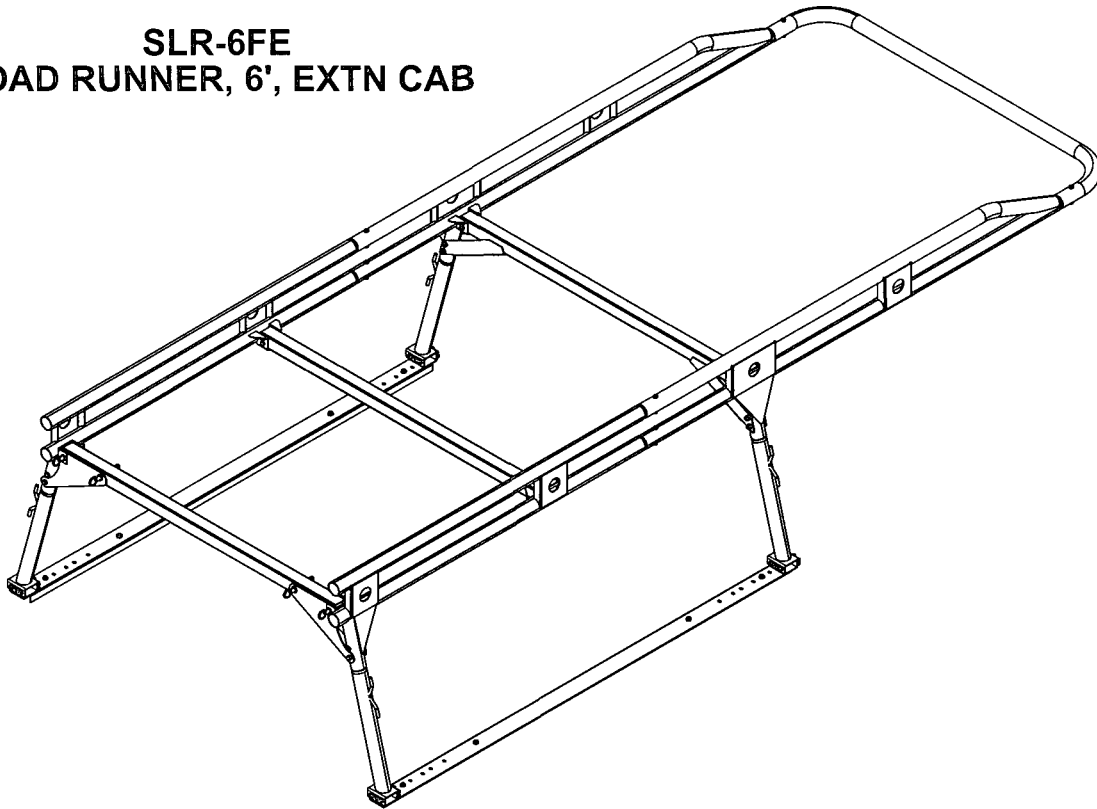
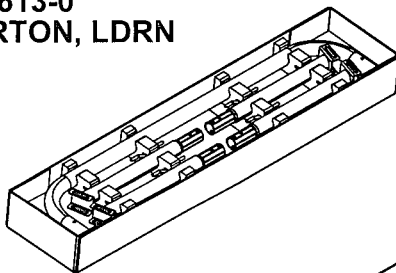


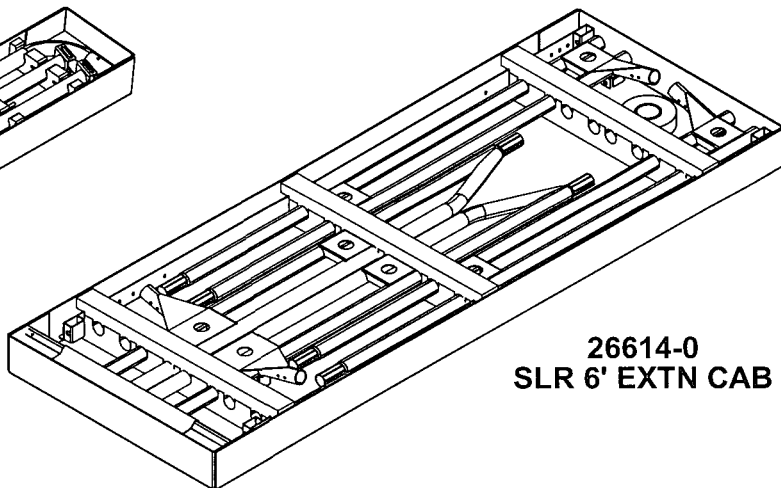
**SLR-6FE
LOAD RUNNER, 6', EXTN CAB**



**26613-0
UNIV CARTON, LDRN**



**26614-0
SLR 6' EXTN CAB**



REVISION
LEVEL
A

Part
Number
SLR-6FE

FOR REFERENCE ONLY!

THIS PRODUCT IS SUBJECT TO CHANGE.
ADRIAN STEEL COMPANY RESERVES THE RIGHT TO
CHANGE THE PRODUCT OF IT'S DESIGN WITHOUT
PRIOR NOTICE.

Shipping Wt (Lbs) :
177.69

ADRIAN STEEL
VAN AND PICKUP EQUIPMENT
906 James St.
Adrian, MI 49221
517.265.6194

THIS DRAWING IS THE PROPERTY OF ADRIAN STEEL COMPANY
AND IS NOT TO BE USED IN ANY MANNER DETRIMENTAL TO
THE INTERESTS OF ADRIAN STEEL COMPANY.

Coating/Finish **BLK PWD CT**

Do Not Scale This Drawing!

Part Description **LOAD RUNNER 6' EXT CAB**

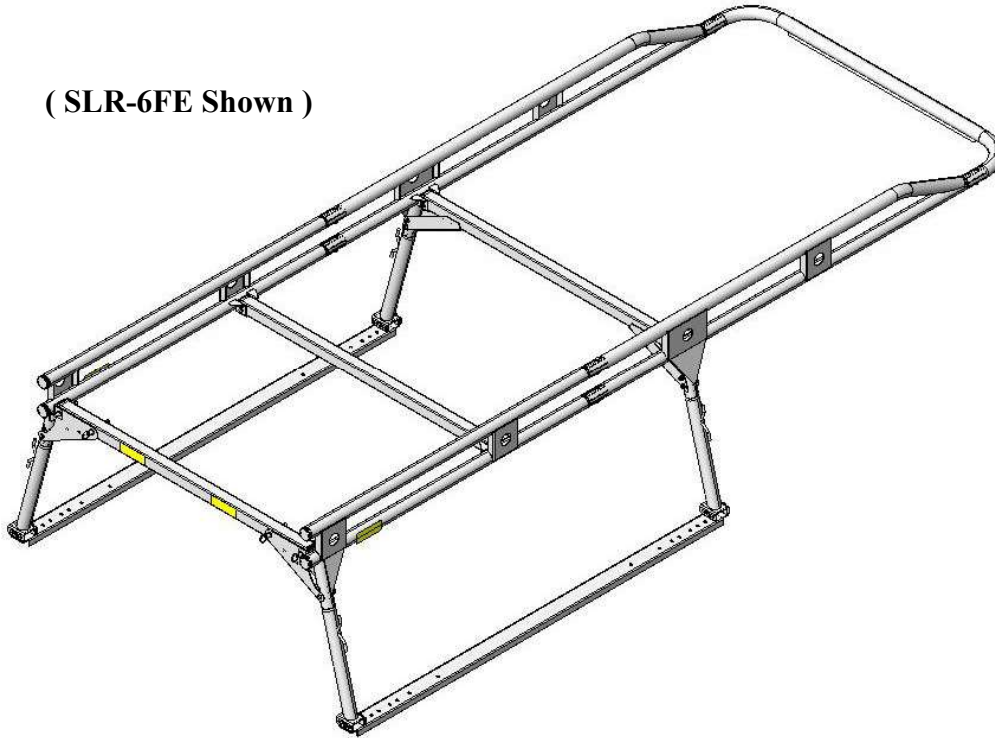
Part
Number **SLR-6FE**

REVISION
LEVEL
A



**Full Size Pick Up Truck Rack
Assembly – Installation Instructions**

(SLR-6FE Shown)



RACKS AVAILABLE:

For 2001 & Newer
Full Size Pick Up Trucks

(Excluding: Ford SUPER DUTY
Ram 2500/3500
GMC/SILVERADO 2500/3500)

RACKS AVAILABLE:

For 2001 & Newer
Ram 2500/3500
GMC/SILVERADO 2500/3500

RACKS AVAILABLE:

For 2001 & Newer
Full Size Pick Up Trucks

Ford SUPER DUTY
Pick Up Trucks Only

Model No.	Used On	Model No.	Used On	Model No.	Used On
SLR-6FR	6' BED REGULAR CAB	SLR-6FRP	6' BED REGULAR CAB P	SLR-6FRS	6' BED REGULAR CAB
SLR-8FR	8' BED REGULAR CAB	SLR-8FRP	8' BED REGULAR CAB P	SLR-8FRS	8' BED REGULAR CAB
SLR-6FE	6' BED EXTENDED CAB	SLR-6FEP	6' BED EXTENDED CAB P	SLR-6FES	6' BED EXTENDED CAB
SLR-8FE	8' BED EXTENDED CAB	SLR-8FEP	8' BED EXTENDED CAB P	SLR-8FES	8' BED EXTENDED CAB



LOAD RUNNER Ladder Rack

BEFORE YOU START!

IMPORTANT INSTALLATION STEPS ARE DENOTED USING A STOP SIGN. THESE STEPS MUST BE PERFORMED AS SPECIFIED IN ORDER TO ENSURE A PROPER INSTALLATION AND MUST BE FOLLOWED IN ORDER TO MAINTAIN YOUR PRODUCT WARRANTY!



CRITICAL INFORMATION PERTAINING TO USER AND/OR VEHICLE SAFETY IS DENOTED USING A CAUTION SIGN. SAFETY ITEMS MUST BE STRICTLY ADHERED TO IN ORDER TO ENSURE A SAFE WORKING ENVIRONMENT!



YOU WILL NEED THE FOLLOWING TOOLS IN ORDER TO COMPLETE THIS JOB.

1/2" & 9/16" COMBINATION END WRENCHS
DRILL MOTOR, 1/2" DRILL BIT WITH 1/2" DEEP STOP, SAFETY GLASSES
RATCHET WRENCH, WITH 1/2" & 9/16" SOCKET, w/ MISC. EXTENSIONS
FOOT POUND TORQUE WRENCH (Recommended)
10" DRIFT PUNCH (Used in Aligning Bolt Holes in Tube Sections)
STEEL HAMMER AND/OR RUBBER Mallet

ALL FASTENERS USED IN THE ASSEMBLY AND INSTALLATION OF THIS PRODUCT SHOULD BE TIGHTENED TO THE SPECIFIED TORQUE AS LISTED WITH EACH FASTENER CALLOUT BOX.



THE USE OF AIR OR ELECTRIC IMPACT TOOLS FOR THE ASSEMBLY OF FASTENERS IS NOT RECOMMENDED AND COULD CAUSE FASTENER FAILURE!



WARNING



THE USE OF DRILLS WITH INTEGRAL DRILL STOPS ALONG WITH PROPER INSPECTION FOR GAS TANK, GAS LINES, BRAKE LINES AND ELECTRICAL LINES PRIOR TO DRILLING ANY MOUNTING HOLES IS STRONGLY RECOMMENDED TO ENSURE THAT VEHICLE DAMAGE IS AVOIDED!



THE USE OF NON-STANDARD FASTENERS AND/OR DEVIATING FROM THE FASTENERS SPECIFIED IN THE INSTRUCTION (S) MAY VOID YOUR PRODUCT WARRANTY!

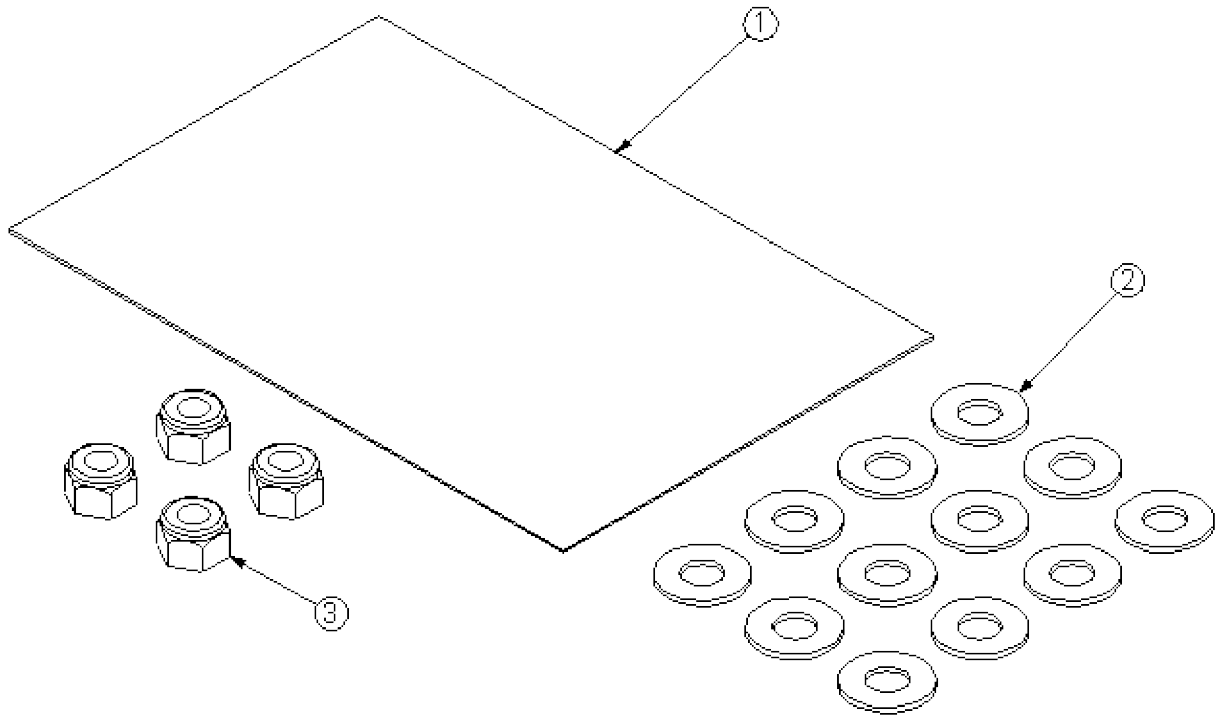
ALL DRILLED HOLES IN THE VEHICLE SHOULD HAVE THE RAW METAL EDGES SEALED WITH A SELF-ETCHING PRIMER TO RESIST CORROSION AND POTENTIAL FASTENER POINT FAILURE!



LOAD RUNNER Ladder Rack

BAGFDF150

ITEM NO.	PART NUMBER	DESCRIPTION	QTY.
1	BAG0406-A	4" X 6" 3MIL AUTOBAG	1
2	FAS0164	WASHER,FLAT,SAE,5/16,ALUM	12
3	FAS0090	NUT,NYLON INSERT LOCK, 5/16-18, ZI	4

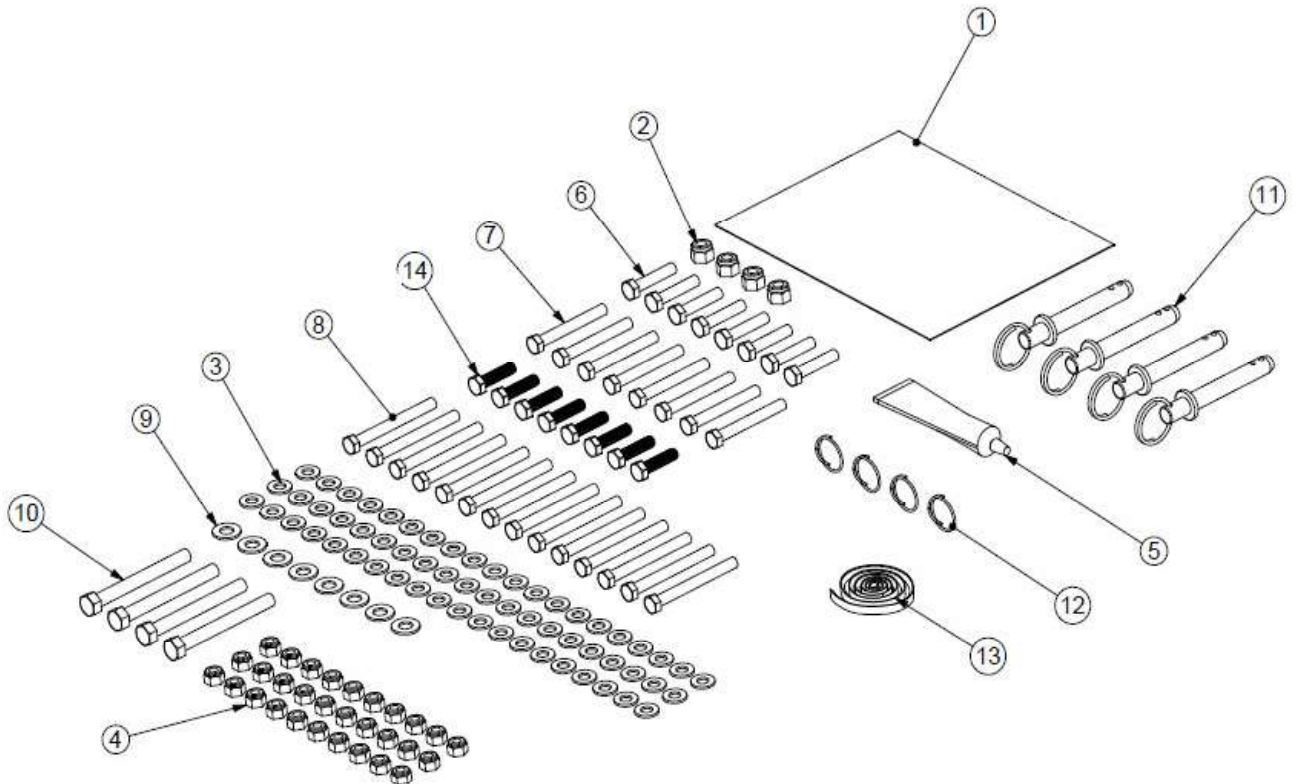




LOAD RUNNER Ladder Rack

BAG26561-0

ITEM NO.	PART NUMBER	DESCRIPTION	QTY.
1	BAG0709-A	7" X 9" 3MIL AUTOBAG	1
2	FAS0110	NUT,HEX NYLK 3/8-16 SS W	4
3	FAS0245	WASHER, FLAT, 5/16 HRD, ZN	60
4	FAS0248	NUT, NYLON INSERT LOCK, 5/16-18 SST	30
5	26618-0	SILICONE SEALANT	1
6	FAS0242	SCREW, HEX HD, 5/16-18X1.50 SS	8
7	FAS0243	SCREW, HEX HD, 5/16-18X2.50 SS	8
8	FAS0244	SCREW, HEX HD, 5/16-18X3.00 SS, GRADE 5	14
9	FAS0246	WASHER, FLAT, HRD, ZN	8
10	FAS0247	SCREW, HEX HD, 3/8-18X3.5 SS, GRADE 5	4
11	26611-0	RING PIN ASSY	4
12	26612-0	RING PIN CIRCLE COTTER	4
13	05586-0	BUTYL TAPE, T224 (1) FT ROLL	1
14	FAS0830	Screw, Hex Hd, 5/16-18 X 1.25 SS	8

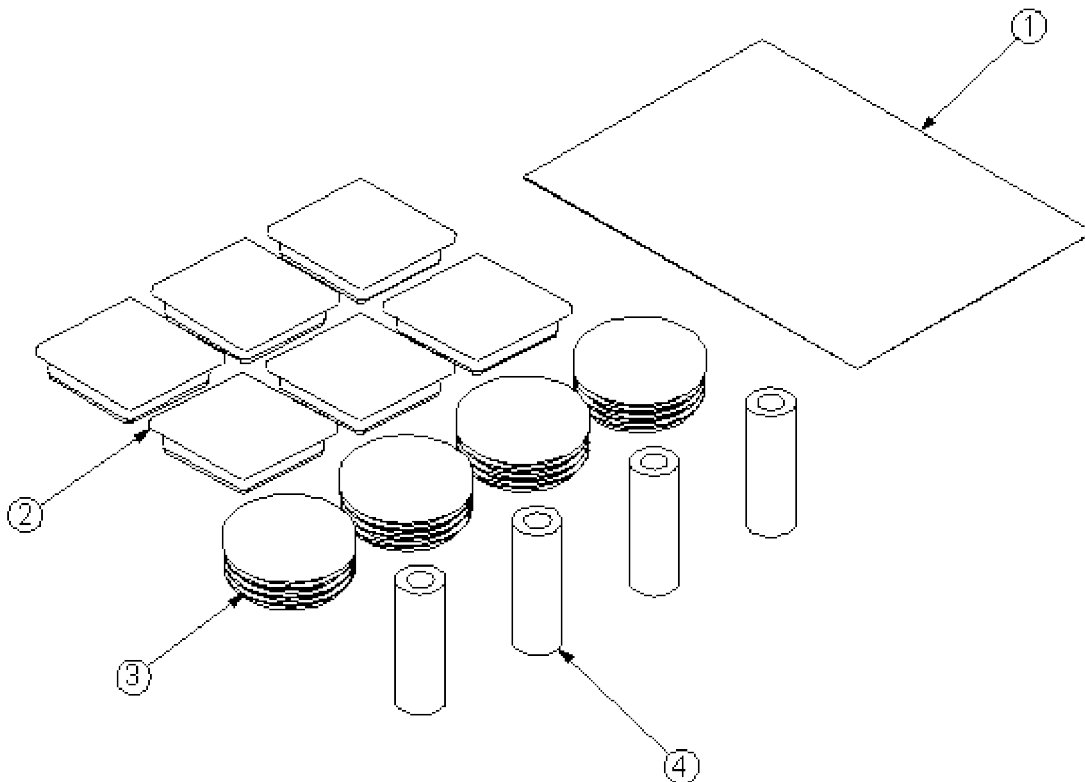




LOAD RUNNER Ladder Rack

BAG26610-0

ITEM NO.	PART NUMBER	DESCRIPTION	QTY.
1	BAG0507-A	4" X 6" 3MIL AUTOBAG	1
2	26610-0	WASHER,FLAT,SAE,5/16,ALUM	6
3	26609	NUT,NYLON INSERT LOCK, 5/16-18, ZI	4
4	26570-0	BED RAIL BRACKET SPACER	4

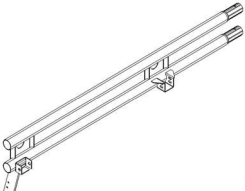
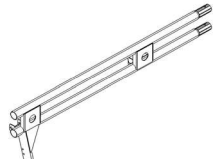
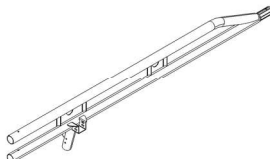
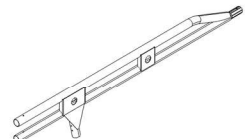
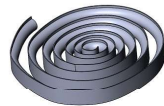








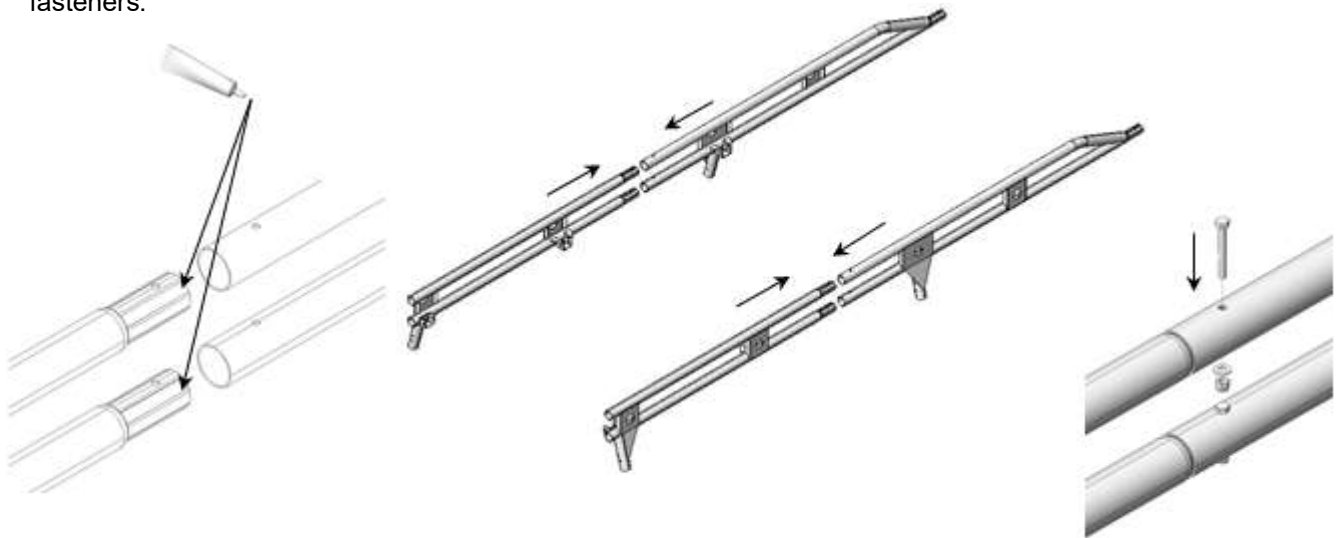
LOAD RUNNER Ladder Rack

STEP – 01

Attach Left/Right Rear Truss to Left/Right Front Truss

 <p>26593-0 TRUSS ASSY REAR LFT 6'BED</p>	 <p>26594-0 TRUSS ASSY REAR RIGHT 6'BED</p>	 <p>26580-0 TRUSS ASSY FRNT LFT EXTENDED CAB</p>	 <p>26582-0 TRUSS ASSY FRNT RIGHT EXTENDED CAB</p>	 <p>05586-0 BUTYL TAPE, T224 1FT ROLL</p>
 <p>FAS0243 BOLT, HEX HD, 5/16-18UNC X 2.50" (4) REQUIRED</p>	 <p>FAS0245 WASHER, FLAT, HD ZN, 1/4" ID (4) REQUIRED</p>	 <p>FAS0248 NUT, NYLON LOCK, 5/16-18UNC (4) REQUIRED 25 FT-LBS TORQUE</p>	 <p>26618-0 SILICON SEALANT (1) OZ TUBE AS REQUIRED</p>	

First apply a thin 1/4" bead of SEALANT (include) fully around the front of all four "swages" between hole and end on both of the REAR TRUSSES, then spread the SEALANT back evenly, see figure below for details. Next slide the LEFT-REAR TRUSS and the LEFT-FRONT TRUSS sections together. Once both fastener bolt holes are in the upper and lower tubes are aligned, secure and fasten as shown below, tighten to 25 FT-LBS. Repeat for the RIGHT REAR TRUSS and the RIGHT FRONT TRUSS sections. Add 1/2" of butyl tape to each end of all fasteners.



GENERIC PICTURE—MAY NOT LOOK LIKE YOUR FASTENER. MOUNTING SCREW WITH WASHERS AND BUTYL TAPE BEFORE INSTALLATION (LEFT) AND WHAT IT SHOULD LOOK LIKE AFTER INSTALLATION (RIGHT).



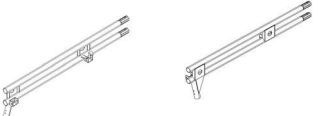

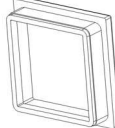
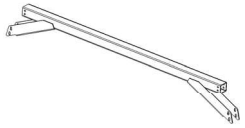

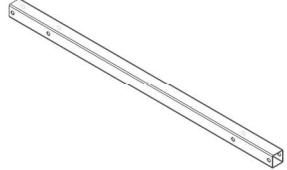
NOTE:

The rear trusses might need to be "tapped" into the front trusses. Use a rubber mallet, or place a piece of wood across tube ends for protection, if using a steel hammer. Use a 10" drift punch to aid in aligning the bolt through the holes.



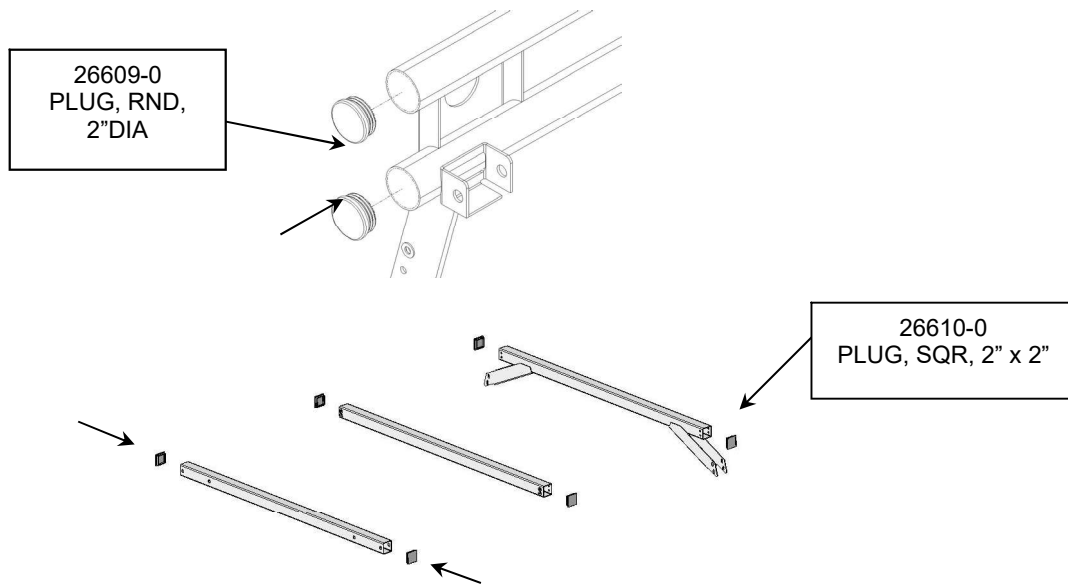
STEP - 02

PLASTIC (SQUARE/ROUND) PLUG INSTALLATION

 <p>26593-0 26594-0 TRUSS ASSY REAR LFT/RGH 6'BED</p>	 <p>26609-0 PLUG, ROUND, 2" DIAMETER (4) REQUIRED</p>	 <p>26610-0 PLUG, SQUARE, 2" (6) REQUIRED</p>
 <p>26573-0 CROSSBAR ASSY, FRONT</p>	 <p>26574-0 CROSSBAR ASSY, MIDDLE</p>	 <p>26578-0 CROSSBAR ASSY, REAR</p>

To finish the FRONT/REAR TRUSS assemblies you must insert the round plastic PLUGS into the back ends of the REAR TRUSS tubes. These plugs must be fully seated, gently tap into place with a rubber mallet.

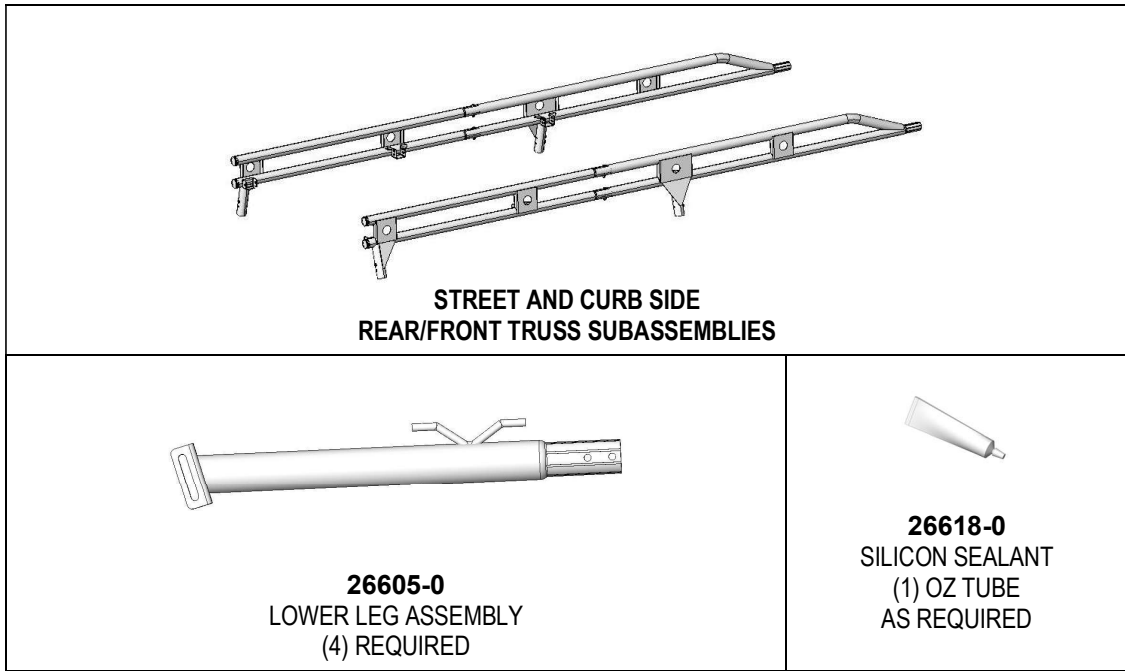
Before the CROSSBARS can be assembled, you must insert the square plastic PLUGS into the crossbar tube ends. The plugs must be fully seated by, gently tapping into place with a rubber mallet.



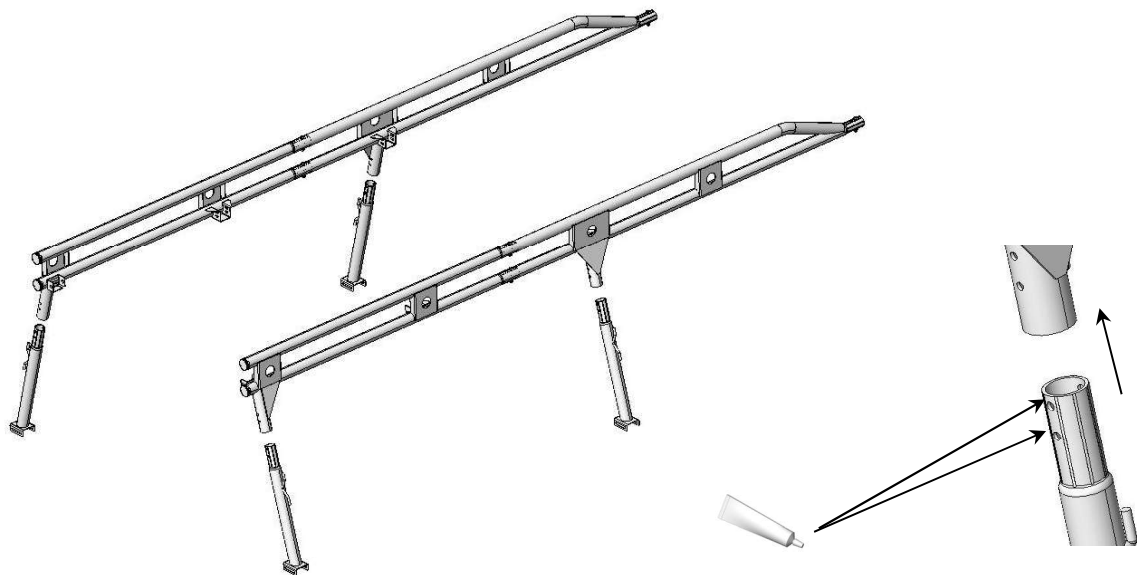


STEP – 03

SUPPORT LEGS INTO REAR/FRONT TRUSS SUBASSEMBLIES



Apply (2) ¼" beads of SILICONE sealant fully around the "swage" on each LOWER LEG ASSY just above each pierced hole. Then spread the sealant down evenly over the "swaged" area only. Now insert the LOWER LEG ASSY into the REAR/FRONT TRUSS keeping the "rope hook" to the outside. These legs will fit tight and might need to be tapped into place. Use a 10" drift pin punch to aid in aligning the bolt holes in the LOWER LEG ASSY with the through holes in the REAR/FRONT TRUSS subassemblies.

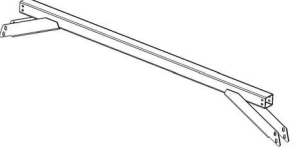








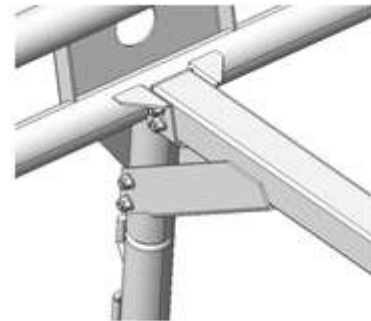
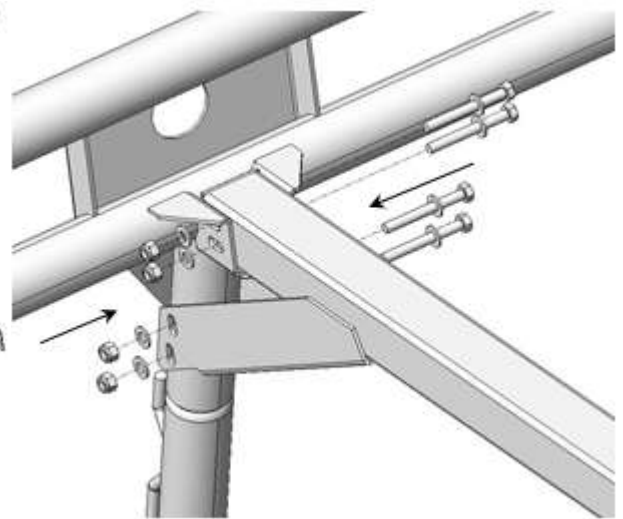
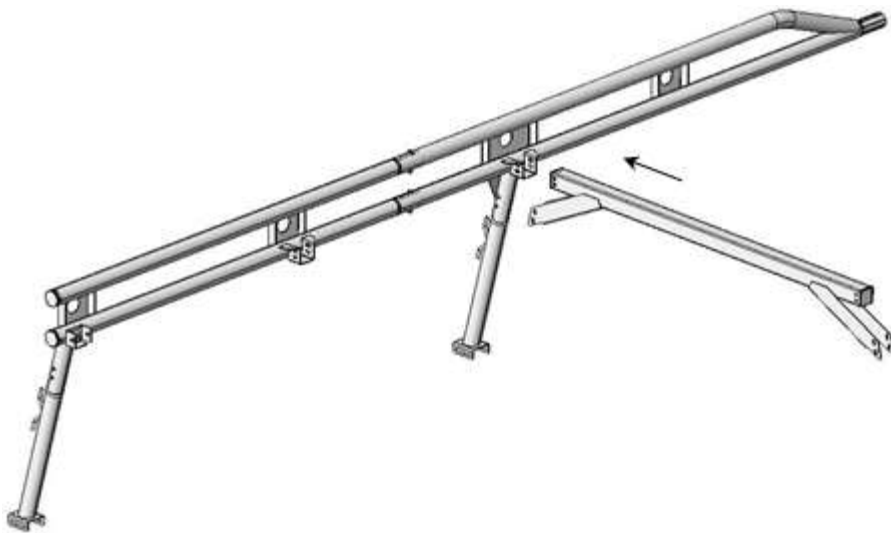
LOAD RUNNER Ladder Rack

STEP – 04

FRONT CROSSBAR to the REAR/FRONT TRUSS Subassemblies.

 <p>26573-0 CROSSBAR ASSY, FRONT</p>	 <p>FAS0244 BOLT, HEX HD, 5/16-18UNC X 3.00" lg (8) REQUIRED</p>	 <p>FAS0245 WASHER, FLAT, HRD ZN, 5/16" ID (16) REQUIRED</p>	 <p>FAS0248 NUT, NYLON LOCK, 5/16-18UNC (8) REQUIRED 25 FT-LBS TORQUE</p>	 <p>05586-0 BUTYL TAPE, T224 1FT ROLL</p>
--	--	--	---	---

Assemble the FRONT CROSSBAR ASSY to the Street and Curb Side REAR/FRONT TRUSS subassemblies. Fasten it "loosely" using the fasteners as shown above, DO NOT TIGHTEN to final torque. Repeat for opposite REAR/FRONT TRUSS subassembly. Add ½" of butyl tape to each end of all fasteners.









GENERIC PICTURE—MAY NOT LOOK LIKE YOUR FASTENER. MOUNTING SCREW WITH WASHERS AND BUTYL TAPE BEFORE INSTALLATION (LEFT) AND WHAT IT SHOULD LOOK LIKE AFTER INSTALLATION (RIGHT).



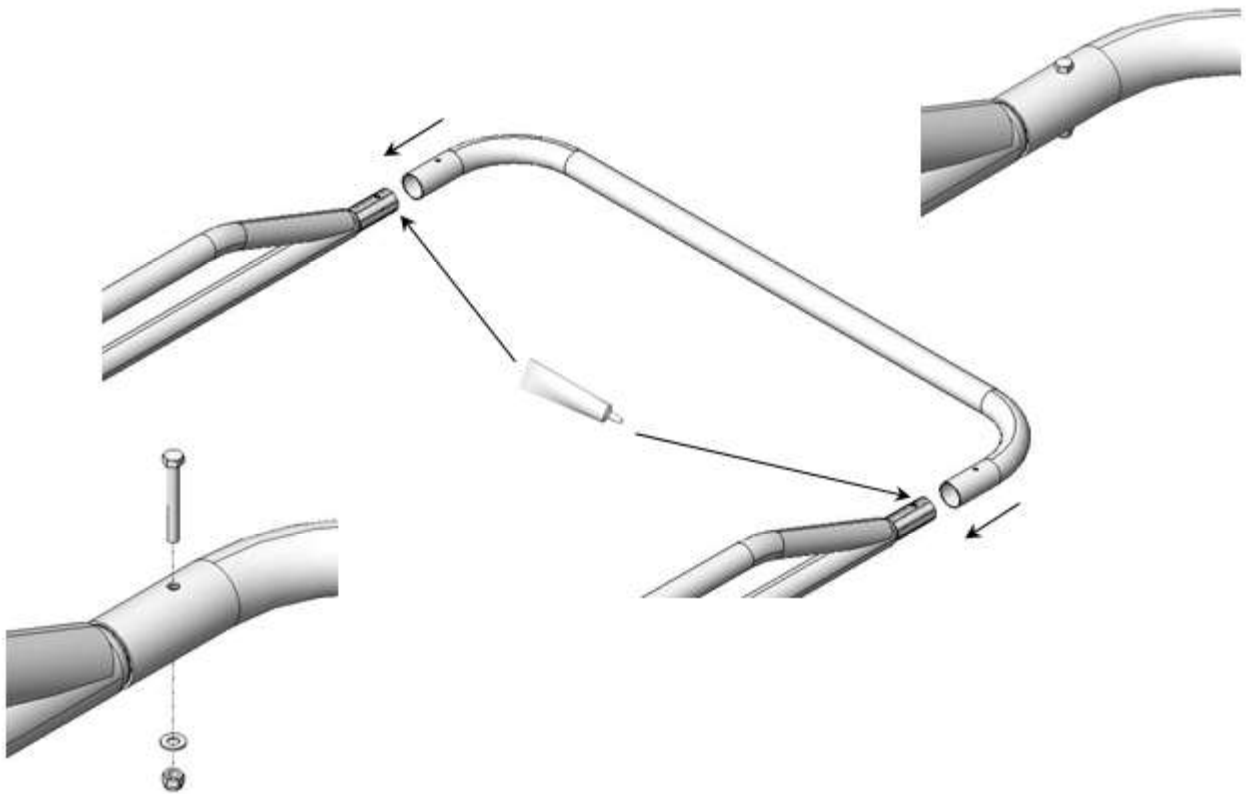


STEP - 05

FRONT CROSSTUBE INSTALLATION

 <p>26572-0 CROSSTUBE, FRONT</p>	 <p>FAS0243 BOLT, HEX HD, 5/16-18UNC X 2.50" lg (2) REQUIRED</p>	 <p>FAS0245 WASHER, FLAT, HRD ZN, 5/16" ID (2) REQUIRED</p>	 <p>FAS0248 NUT, NYLON LOCK, 5/16-18UNC (2) REQUIRED 25 FT-LBS TORQUE</p>	 <p>26618-0 SILICON SEALANT OZ TUBE AS REQUIRED</p>	 <p>05586-0 BUTYL TAPE, T224 1FT ROLL</p>
--	--	---	---	---	---

First apply a 1/4" bead of SILICONE SEALANT fully around the front of both "swages" on the LEFT & RIGHT TRUSS subassemblies between hole and end of tube. Then spread the SEALANT back evenly over the "swaged" areas only. Now slide the FRONT CROSSTUBE into the TRUSS subassemblies. If required, use a rubber mallet to tap into place. Once the through bolt holes are aligned secure in place with the fasteners shown above, tighten to 25 FT-LBS torque. Add 1/2" of butyl tape to each end of all fasteners.








GENERIC PICTURE—MAY NOT LOOK LIKE YOUR FASTENER. MOUNTING SCREW WITH WASHERS AND BUTYL TAPE BEFORE INSTALLATION (LEFT) AND WHAT IT SHOULD LOOK LIKE AFTER INSTALLATION (RIGHT).



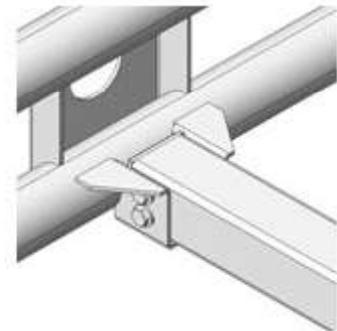
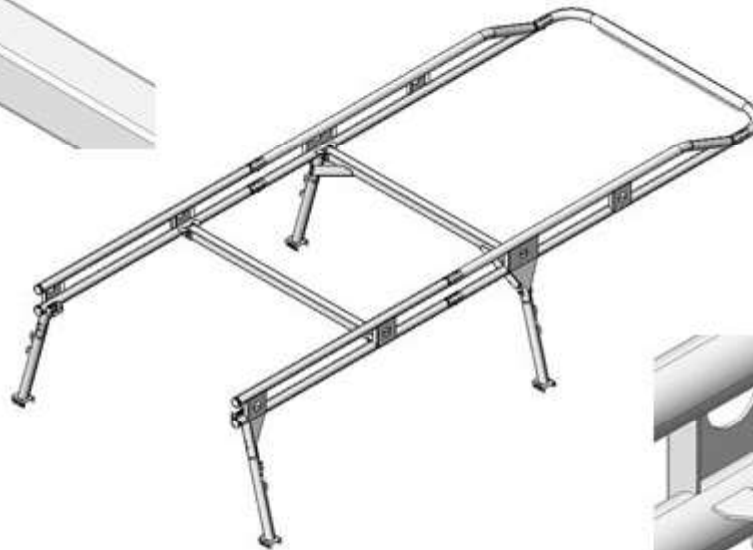
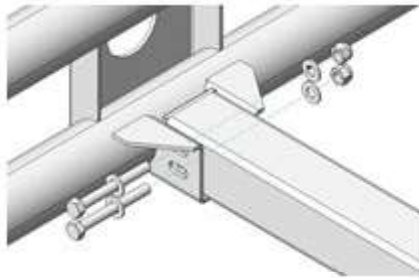


STEP – 06

MIDDLE CROSSBAR INSTALLATION

 <p>26574-0 CROSSBAR ASSY, MIDDLE</p>	 <p>FAS0244 BOLT, HEX HD, 5/16-18UNC X 3.00" lg (4) REQUIRED</p>	 <p>FAS0245 WASHER, FLAT, HRD ZN, 5/16" ID (8) REQUIRED</p>	 <p>FAS0248 NUT, NYLON LOCK, 5/16-18UNC (4) REQUIRED 25 FT-LBS TORQUE</p>	 <p>05586-0 BUTYL TAPE, T224 1FT ROLL</p>
---	--	---	--	---

Now assemble the MIDDLE CROSSBAR to the STREET & CURB SIDE TRUSS subassemblies. Fasten it "loosely" using the fasteners as shown above, DO NOT TIGHTEN to final torque. Add 1/2" of butyl tape to each end of all fasteners.





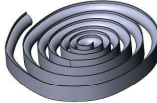



GENERIC PICTURE—MAY NOT LOOK LIKE YOUR FASTENER. MOUNTING SCREW WITH WASHERS AND BUTYL TAPE BEFORE INSTALLATION (LEFT) AND WHAT IT SHOULD LOOK LIKE AFTER INSTALLATION (RIGHT).



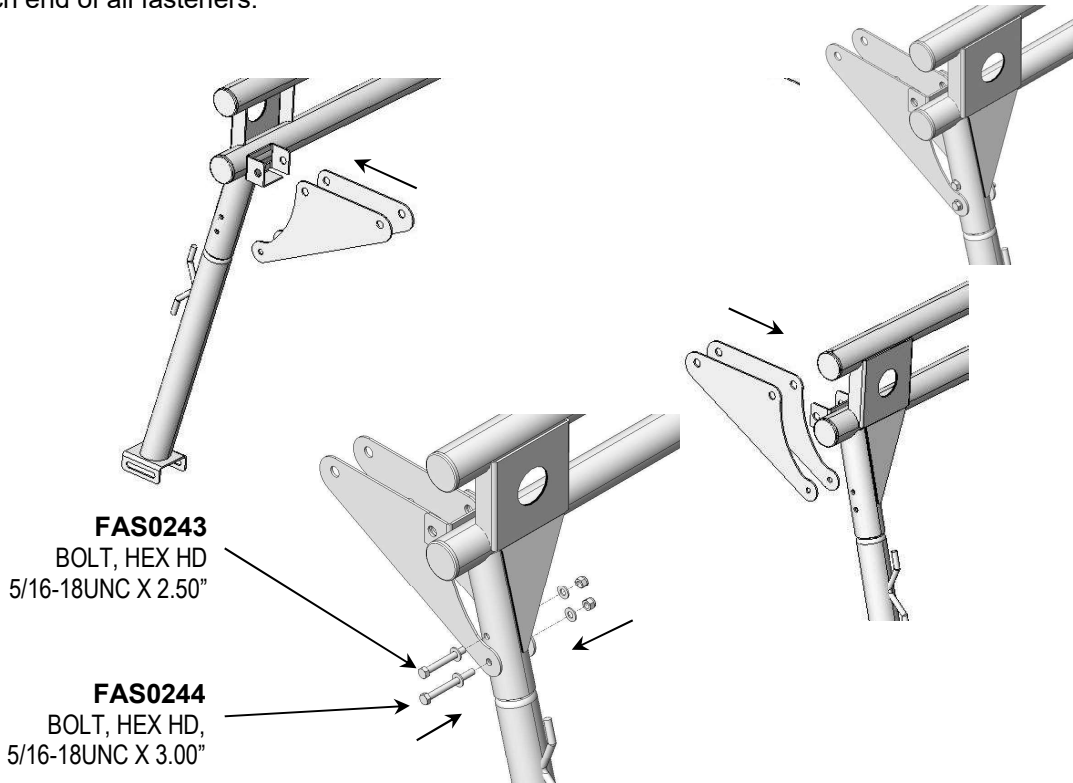


STEP - 07

REAR GUSSET ASSY INSTALLATION

 <p>FAS0245 WASHER, FLAT, HRD ZN, 5/16" ID (8) REQUIRED</p>	 <p>FAS0248 NUT, NYLON LOCK, 5/16-18UNC (4) REQUIRED 25 FT-LBS TORQUE</p>	 <p>05586-0 BUTYL TAPE, T224 1FT ROLL</p>
 <p>26602-0 CROSSBAR BRACKET, REAR (2) REQUIRED</p>	 <p>FAS0243 BOLT, HEX HD, 5/16-18UNC X 2.5" lg (2) REQUIRED</p>	 <p>FAS0244 BOLT, HEX HD, 5/16-18UNC X 3.00" lg (2) REQUIRED</p>




Next position one REAR CROSSBAR BRACKET as shown below and secure to the REAR/FRONT TRUSS subassembly using the fasteners shown above. Tighten the upper fastener (FAS0243) securing the rear LOWER LEG ASSEMBLY to the REAR/FRONT TRUSS subassembly to 25 FT-LBS torque. Tighten the remaining fastener (FAS0244), but allow the REAR CROSSBAR BRACKET to pivot freely. Add 1/2" of butyl tape to each end of all fasteners.





STEP – 08

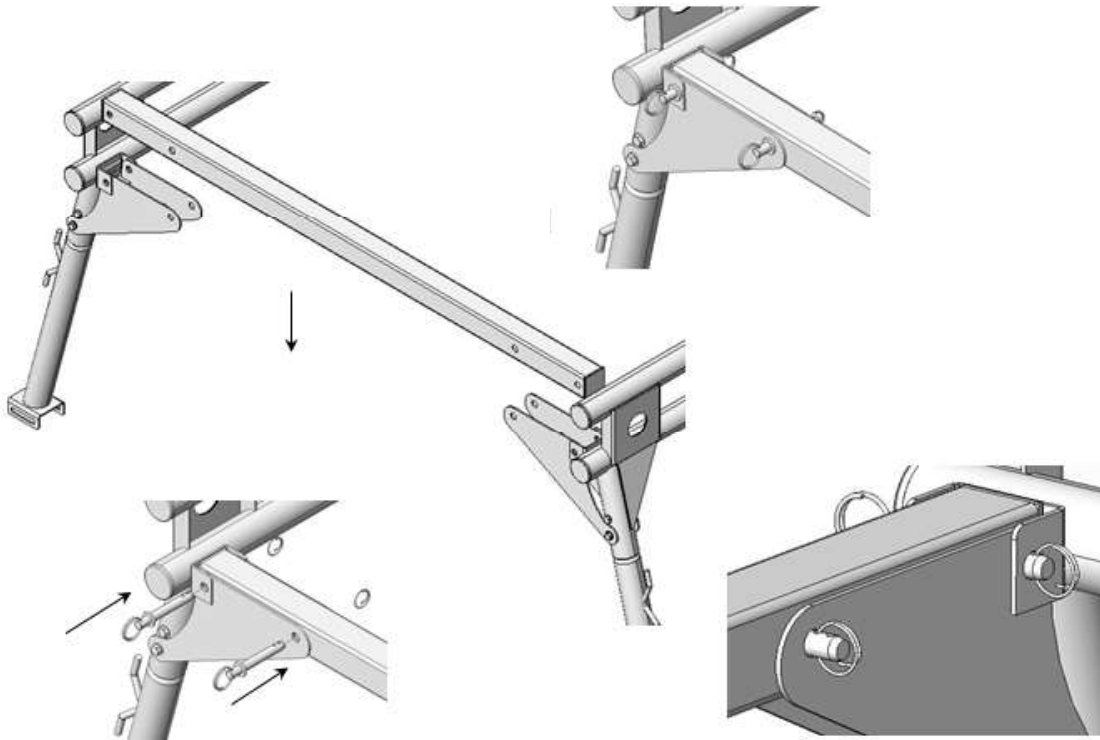
REAR CROSSBAR INSTALLATION

 <p>26578-0 CROSSBAR ASSY, REAR</p>	 <p>26611-0 RING PIN ASSY (4) REQUIRED</p>	 <p>26612-0 RING PIN CIRCLE COTTER SS (4) REQUIRED</p>
---	--	--

Set the REAR CROSSBAR into the REAR/FRONT TRUSSES and CROSSBAR BRACKET as shown in figure below. Insert a RING PIN into all four holes going through the CROSSBAR BRACKET and secure in place by “looping” the RING PIN CIRCLE COTTER through the hole in the RING PIN as shown in lower right view shown below.

NOTE:

These RING PINS and REAR CROSSBARS can be removed for loading and unloading tall payloads, but they should be installed before the truck is in motion.




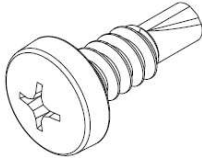

GENERIC PICTURE—MAY NOT LOOK LIKE YOUR FASTENER. MOUNTING SCREW WITH WASHERS AND BUTYL TAPE BEFORE INSTALLATION (LEFT) AND WHAT IT SHOULD LOOK LIKE AFTER INSTALLATION (RIGHT).



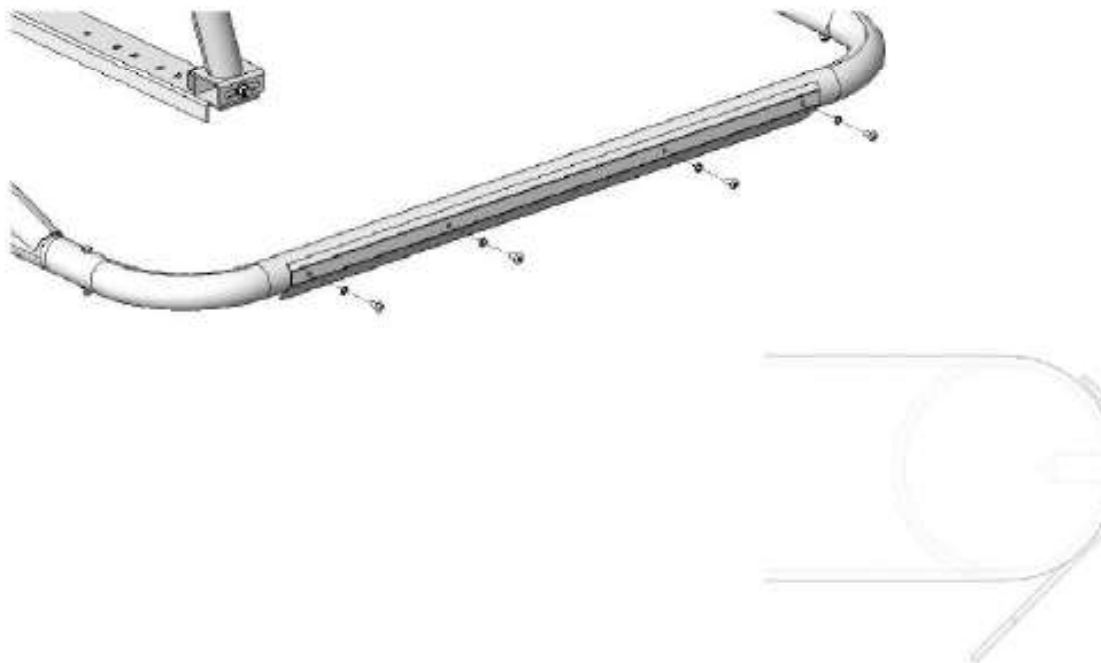


STEP - 09

AIR DEFLECTOR "SPOILER" INSTALLATION

 <p>27231-0 LOAD RUNNER SPOILER</p>	 <p>FAS0360 SCREW, ST, THP #14-10X .75 SS (4) REQUIRED</p>	 <p>FAS0123 WASHER, LOCK, EXT. 1/4" ID (4) REQUIRED</p>
---	--	---

Position the SPOILER against the FRONT CROSSTUBE as shown below. Be sure the spoiler is centered and the front surface is orientated as shown in the lower view below. Using the spoiler as a template drill (4) 3/16" diameter holes in the front of the FRONT CROSSTUBE. Secure the SPOILER to the FRONT CROSSTUBE with the fasteners listed above. Note apply some SILICONE SEALANT to the fastener threads prior to installation and final tightening.





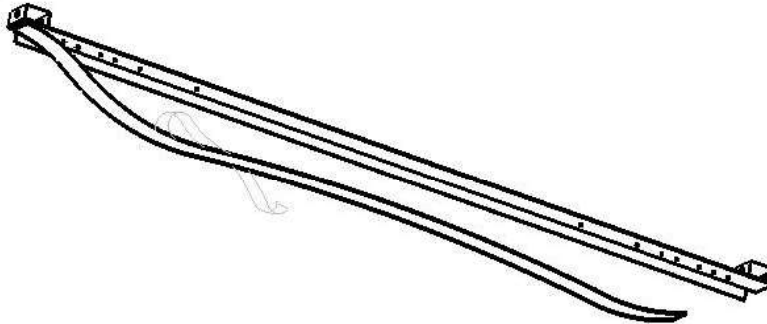
LOAD RUNNER Ladder Rack

INSTALLATION

NOW RACK ASSEMBLY IS COMPLETE, PLEASE READ THE FOLLOWING STEPS CAREFULLY FOR A PROPER INSTALLATION!

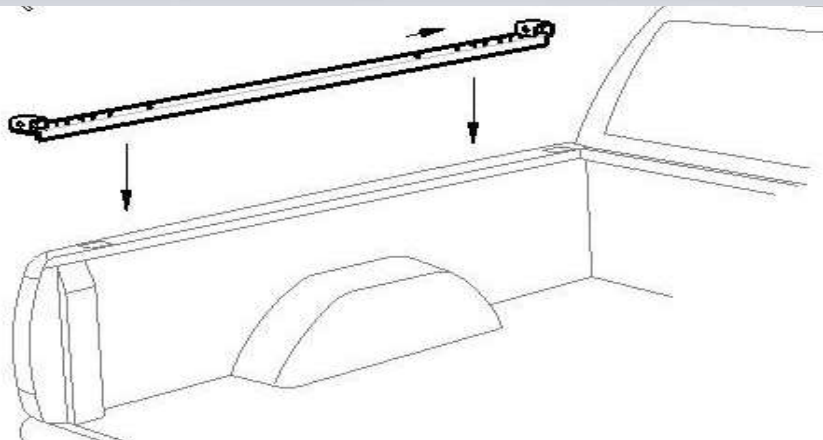
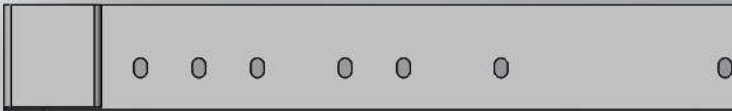
INSTALL STEP 01 APPLY FOAM STRIP TO BED RAILS

Start at one end of each BED RAIL, sticking the FOAM TAPE along the bottom side of each BED RAIL. As you go, keep the FOAM TAPE straight and even. Cut the FOAM TAPE to length and trim off any excess if necessary. Note: Flanges wrap inside of bed rail.



INSTALL STEP 02 POSITION BED RAIL ON TRUCK BED

Set a BED RAIL onto each side of your truck bed positioning the BED RAIL against the side and setting it as far rearward as possible. Rail will need a hole drilled for a FAS0242 5/16 bolt at 35 1/2" from the rear and 1 1/4" from the inside edge for mounting, see figure below.





INSTALL STEP 03

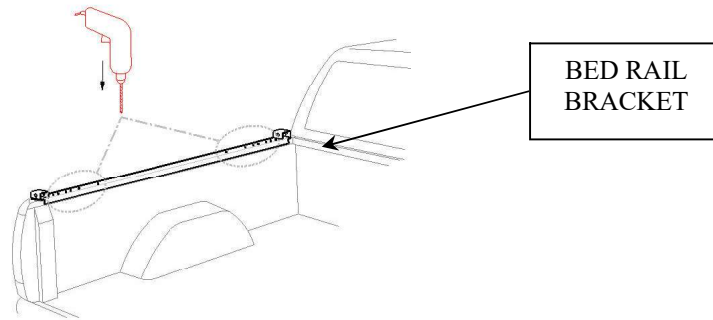
DRILL BED RAIL MOUNTING HOLES IN TRUCK BED

Select a slot in the BED RAIL closest to the "Bed Rail Bracket", located at each end of the BED RAIL, and a slot furthest from each bed rail bracket. There will be a total of 4 holes used in each bed rail.

IMPORTANT:

Be sure the selected slots will allow room after drilling for fasteners and tool access in the truck bed.







Remove the BED RAIL and cut a slit in each previously selected slot. Replace the BED RAIL to mark the truck bed through each slot you have selected. Remove the BED RAIL and drill a 1 1/32" diameter hole through each marked location. Be sure to clean-up any burrs or debris from drilling.



INSTALL STEP 04A

FASTEN BED RAIL TO TRUCK BED

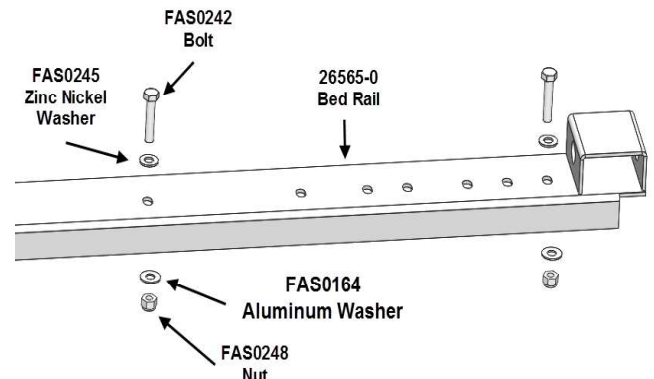
NOTE: For Installation on a Nissan Titan, skip to Step 4B

 <p>26565-0 BED RAIL ASSY, 6' BED (2) REQUIRED</p>	 <p>FAS0242 BOLT, HEX HD, 5/16-18UNC X 1.5" lg (8) REQUIRED</p>	 <p>FAS0245 WASHER, FLAT, HRD ZN, 5/16" ID (8) REQUIRED</p>	 <p>FAS0248 NUT, NYLON LOCK, 5/16-18UNC (8) REQUIRED 25 FT-LBS TORQUE</p>	 <p>FAS0164 WASHER, FLAT, SAE, 5/16, ALUM (8) REQUIRED</p>	 <p>05586-0 BUTYL TAPE, T224 1FT ROLL</p>
--	---	---	---	--	---

Set the BED RAILS back onto the truck. Align the slots with the holes previously drilled. Now attach each BED RAIL to the truck as shown below, using the fasteners specified and tighten to 25 FT-LBS. Add 1/2" of butyl tape to each end of all fasteners.



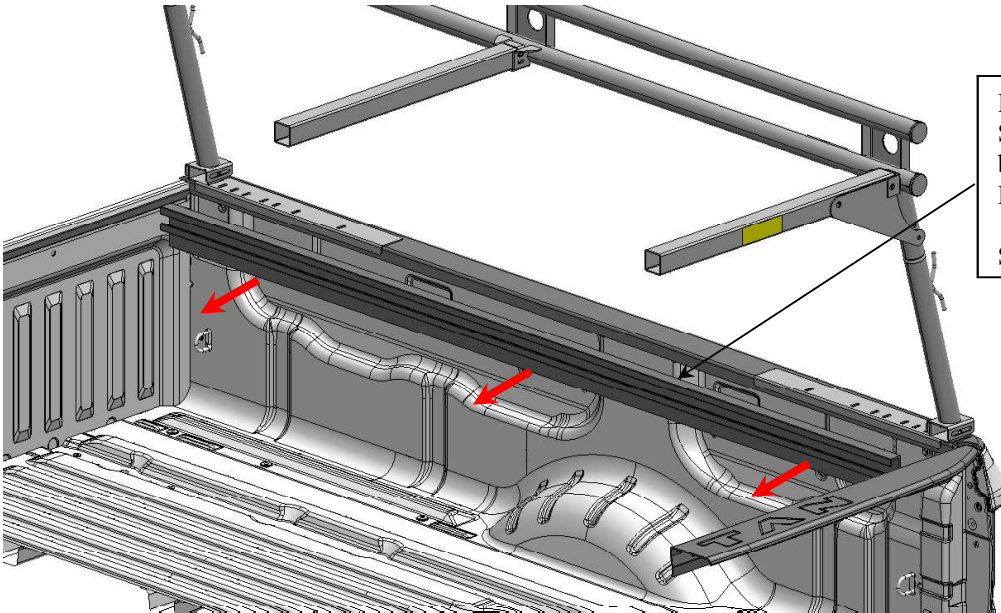
GENERIC PICTURE—MAY NOT LOOK LIKE YOUR FASTENER. MOUNTING SCREW WITH WASHERS AND BUTYL TAPE BEFORE INSTALLATION (LEFT) AND WHAT IT SHOULD LOOK LIKE AFTER INSTALLATION (RIGHT).











INSTALL STEP 04B

FASTEN BED RAIL TO NISSAN TITAN



If equipped with Nissan's UTILI-TRACK System, These rails along the side of the bed will need to be removed for Loadrunner installation.

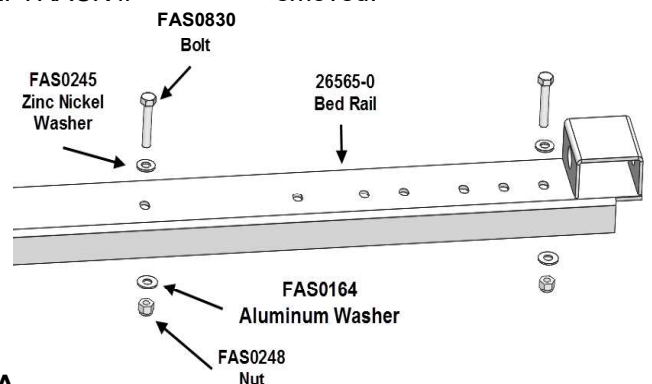
Save all rails and fasteners.

 26565-0 BED RAIL ASSY, 6' BED (2) REQUIRED	 FAS0830 BOLT, HEX HD, 5/16-18UNC X 1.25" (8) REQUIRED	 FAS0245 WASHER, FLAT, HRD ZN, 5/16" ID (8) REQUIRED	 FAS0248 NUT, NYLON LOCK, 5/16-18UNC (8) REQUIRED 25 FT-LBS TORQUE	 FAS0164 WASHER, FLAT, SAE, 5/16, ALUM (8) REQUIRED	 05586-0 BUTYL TAPE, T224 1FT ROLL
---	--	--	---	---	---

Set the BED RAILS back onto the truck. Align the slots with the holes previously drilled. Now attach each BED RAIL to the truck as shown below, using the fasteners specified and tighten to 25 FT-LBS. Add 1/2" of butyl tape to each end of all fasteners. Lastly, re-install Nissan's UTILI-TRACK if previously removed.



GENERIC PICTURE—MAY NOT LOOK LIKE YOUR FASTENER. MOUNTING SCREW WITH WASHERS AND BUTYL TAPE BEFORE INSTALLATION (LEFT) AND WHAT IT SHOULD LOOK LIKE AFTER INSTALLATION (RIGHT).





INSTALL STEP 05

INSTALL LADDER RACK ONTO TRUCK

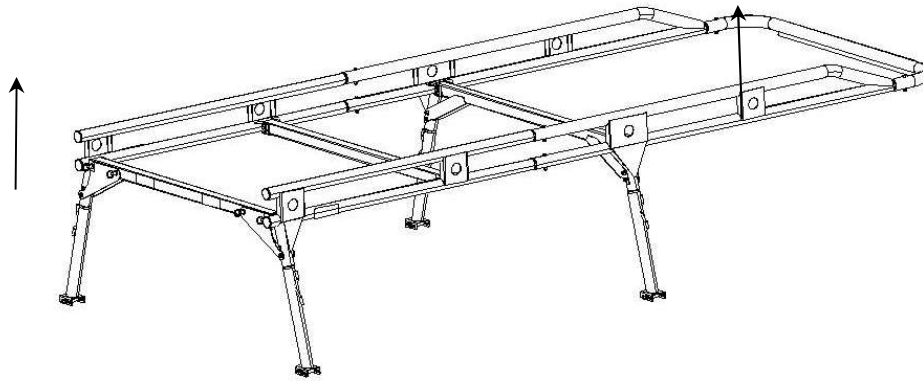
Now it is time to set your rack onto the truck.

CAUTION:

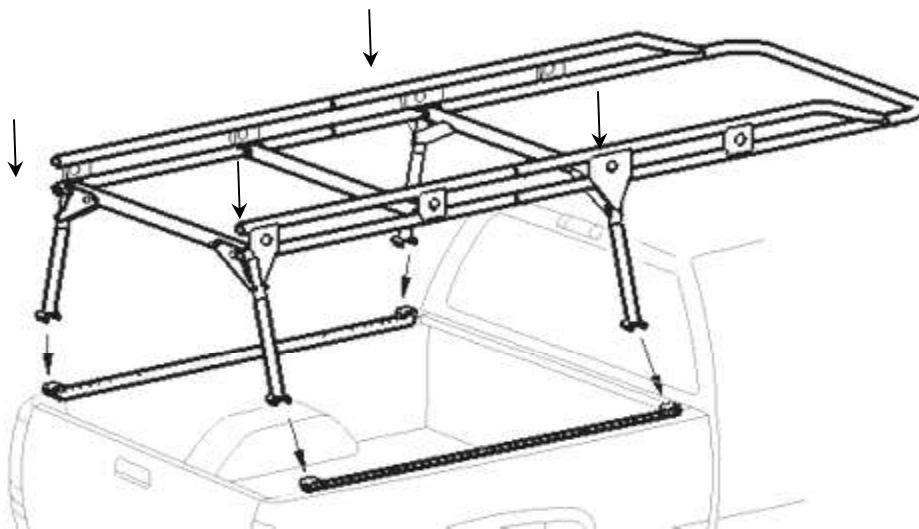
TO PREVENT DAMAGE & INJURY, BE SURE THE TRUCK IS PARKED ON A FLAT AND LEVEL SURFACE AND YOU HAVE AT LEAST (4) PEOPLE TO LIFT THE RACK AND SET IT ONTO THE TRUCK. IT WORKS BEST TO HAVE (1) PERSON PER LOWER LEG ASSY WHEN LIFTING RACK.

NOTE:

It is suggested to protect the cab roof with a blanket or similar item to reduce the chance of damaging the roof during installation.








Carefully set the rack onto the truck fitting the LOWER LEGS over the "bed rail brackets" on the BED RAILS then center the rack side to side on each LOWER LEG.



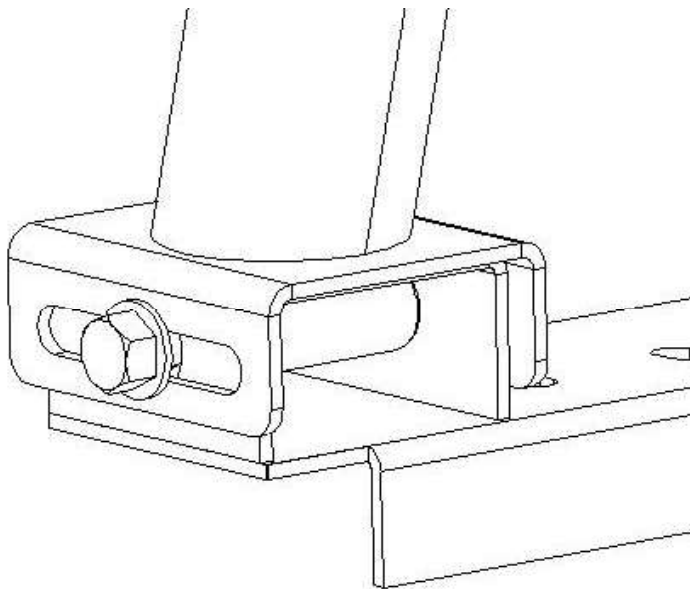
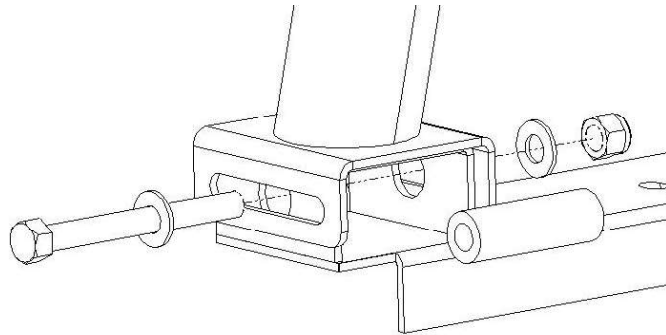


INSTALL STEP 06

FASTEN RACK TO BEDRAIL

 <p>26570-0 INSERT SPACER (4) REQUIRED</p>	 <p>FAS0246 WASHER, FLAT, HDR ZN, 3/8" ID (8) REQUIRED</p>	 <p>FAS0247 BOLT, HEX HD, 3/8-16UNC X 3.50" lg (4) REQUIRED</p>	 <p>FAS0249 NUT, NYLON LOCK, 3/8-16UNC 45 FT-LBS TORQUE</p>	 <p>05586-0 BUTYL TAPE, T224 1FT ROLL</p>
--	--	---	--	---

Using caution not to move the rack off the bed rail brackets, secure the ladder rack to the BED RAILS by inserting the fasteners shown through BOTH the LOWER LEG ASSY bracket and the bed rail bracket (w/spacer INSERT SPACER inside). After all the bolts, flat washers, and nylon lock nuts have been installed, tighten to 45 FT-LBS. Add 1/2" of butyl tape to each end of all fasteners.





ADRIAN STEEL®

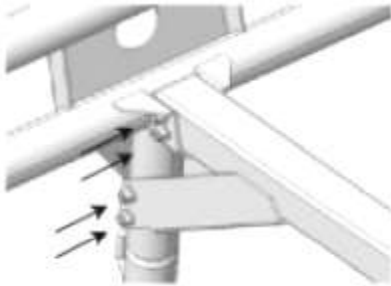
VAN AND PICKUP EQUIPMENT

LOAD RUNNER Ladder Rack

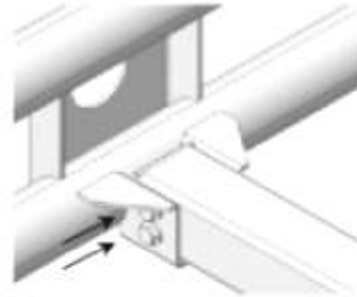
INSTALL STEP 07

FINAL TIGHTENING OF FASTENERS

Tighten all 8 fasteners on the FRONT CROSSBAR/FRONT/REAR TRUSS Subassembly and all 4 fasteners on the MIDDLE CROSSBAR/FRONT/REAR TRUSS Subassembly to 25 FT-LBS torque on both the Curb and Street Side.



FRONT CROSSBAR/FRONT/REAR TRUSS Subassembly



MIDDLE CROSSBAR/FRONT/REAR TRUSS Subassembly



GENERIC PICTURE—MAY NOT LOOK LIKE YOUR FASTENER. MOUNTING SCREW WITH WASHERS AND BUTYL TAPE BEFORE INSTALLATION (LEFT) AND WHAT IT SHOULD LOOK LIKE AFTER INSTALLATION (RIGHT).



DOUBLE-CHECK ALL FASTENER LOCATIONS TO BE SURE THAT ALL FASTENERS ARE TIGHTENED TO SPECIFICATIONS!



YOUR INSTALLATION IS NOW COMPLETE! STOW THIS COPY IN THE VEHICLE FOR FUTURE REFERENCE!

TOO MUCH WEIGHT WILL GREATLY REDUCE THE STABILITY OF YOUR VEHICLE. WEIGHT CARRIED ON AN OVERHEAD RACK WILL SIGNIFICANTLY INCREASE THE VEHICLE'S TENDANCY TO "OVERTURN"!



ADRIAN STEEL CO. MAKES NO REPRESENTATION OR WARRANTY AS TO THE AMOUNT OF WEIGHT THAT CAN BE CARRIED SAFELY BY OR WITHOUT DAMAGING THE BODY OF YOUR VEHICLE. FOR GUIDANCE, WE RECOMMEND THAT YOU CONSULT YOUR VEHICLE MANUFACTURER AS TO THE AMOUNT OF WEIGHT THAT CAN BE CARRIED.

DO NOT OPERATE YOUR VEHICLE WITH THE REAR CROSSBAR REMOVED!



ADRIAN STEEL®

Cargo Management Solutions for Commercial Vehicles

ADDITIONAL WEIGHT CARRIED ABOVE THE FLOOR OF THE TRUCK BED (FOR EXAMPLE ON A LADDER RACK) WILL INCREASE THE TENDENCY OF THE VEHICLE TO OVERTURN. CONSULT YOUR VEHICLE MANUFACTURER FOR THEIR RECOMMENDED RATING. ALWAYS KEEP HEAVY LOADS AS LOW AS POSSIBLE AND CENTERED ON THE VEHICLE. PERIODICALLY CHECK FOR BOLT TIGHTNESS, RETIGHTEN ALL BOLTS AFTER FIRST USE.



FOR TECHNICAL SUPPORT CALL:

1-800-677-2726

ASK FOR CUSTOMER CARE DEPT.

HOURS: Monday-Friday 8:00 A.M. to 5:00 P.M. (EASTERN)