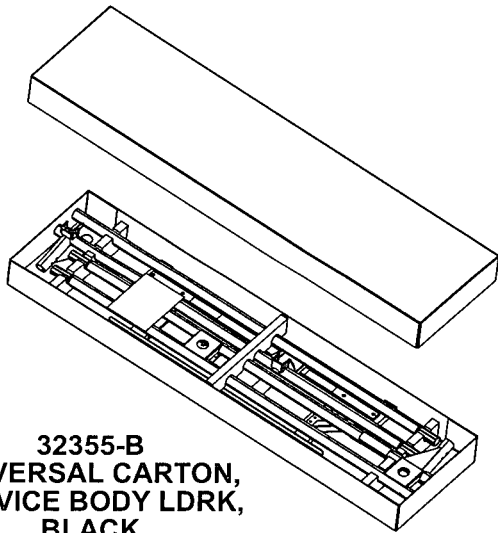
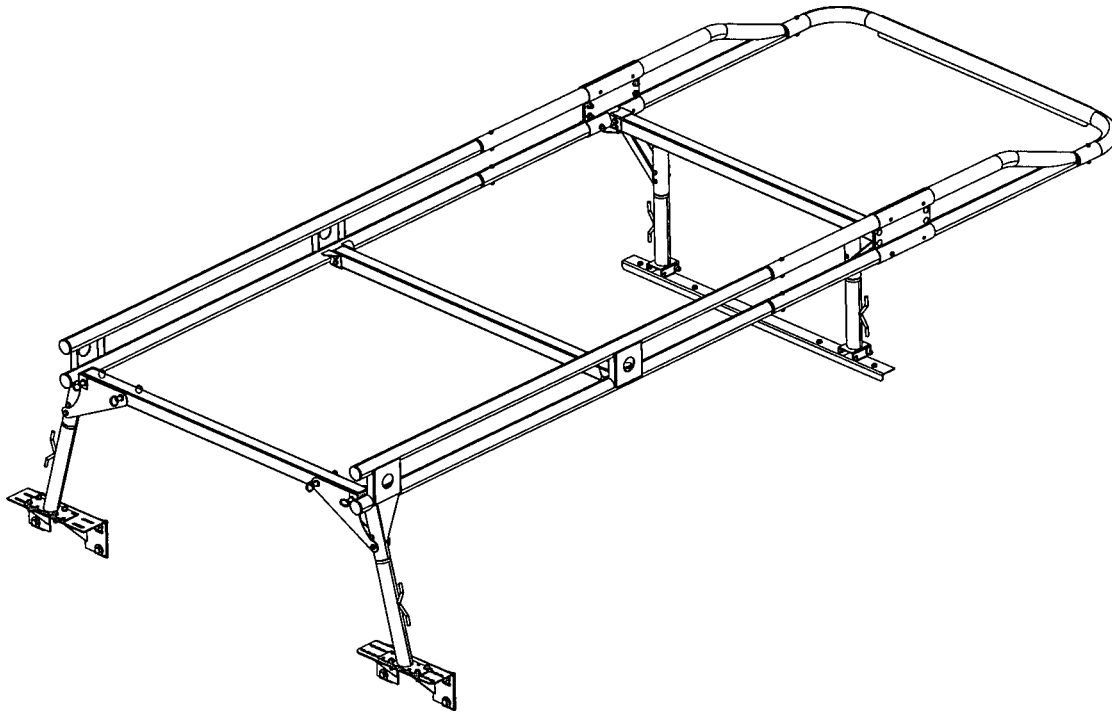
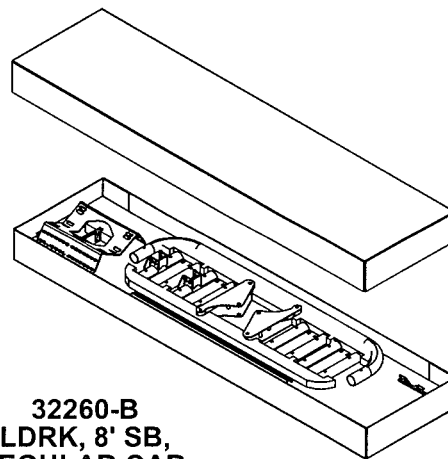


REVISION
LEVEL
A

Part
Number
SBLR-8FR



**32355-B
UNIVERSAL CARTON,
SERVICE BODY LDRK,
BLACK**



**32260-B
LDRK, 8' SB,
REGULAR CAB,
BLACK**

FOR REFERENCE ONLY!

SH 1 OF 1

THIS PRODUCT IS SUBJECT TO CHANGE.
ADRIAN STEEL COMPANY RESERVES THE RIGHT TO
CHANGE THE PRODUCT OF IT'S DESIGN WITHOUT
PRIOR NOTICE.

Shipping Wt. (Lbs)
0.0000

ADRIAN STEEL
VAN AND PICKUP EQUIPMENT
906 James St.
Adrian, MI 49221
517 265.6194

THIS DRAWING IS THE PROPERTY OF ADRIAN STEEL COMPANY
AND IS NOT TO BE USED IN ANY MANNER DETRIMENTAL TO
THE INTERESTS OF ADRIAN STEEL COMPANY.

Coating/Finish
None

Do Not Scale This Drawing!

Part Description **LDRK, 8' SBDY, REG CAB**

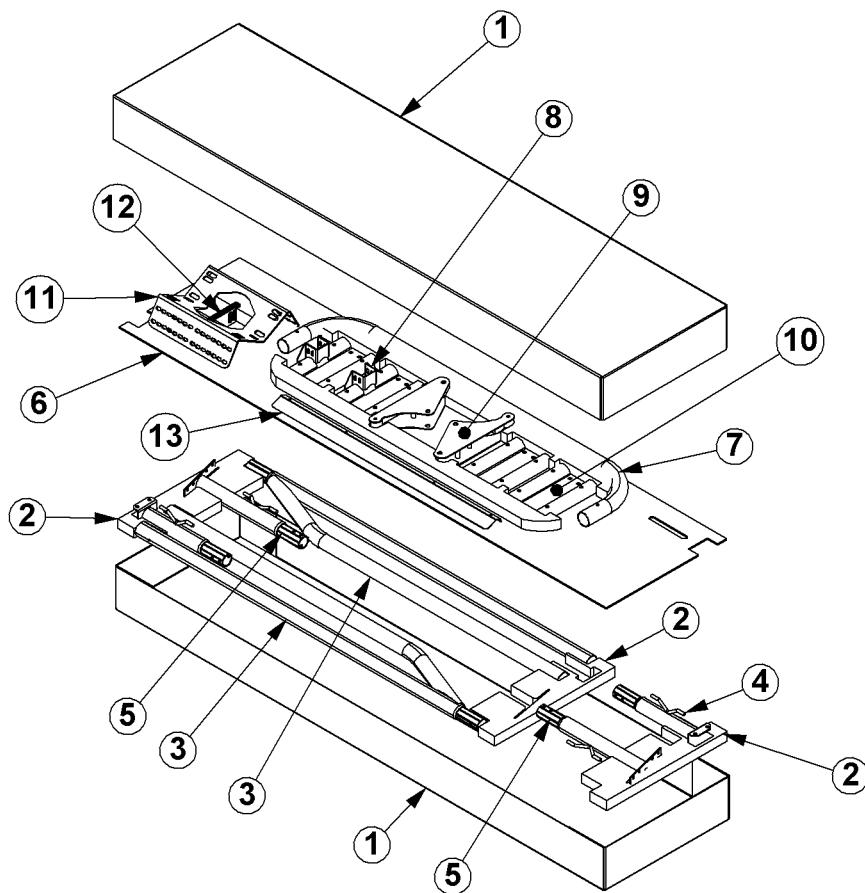
Part
Number **SBLR-8FR**

REVISION
LEVEL
A

ITEM NO.	PART NUMBER	DESCRIPTION	PARTS BOX REG CAB/QTY.
1	CRT32260-0	CARTON, SB LDRK TOP/BOTTOM	2
2	CRT32260-2	CARTON, INSERT #2, SB LDRK	3
3	32269-B	TRUSS ASM, BLK, FRTLFT, REGCAB	2
4	32275-B	WELDMENT, FRONT LEG, BLK	2
5	32273-B	LEG ASSY, REAR, BLK	2
6	CRT32260-1	CARTON, INSERT #1, SB LDRK	1
7	26572-0	Crosstube Front	1
8	32271-B	Clamp Weldment, BLK	2
9	26602-0	Crossbar Gusset Assy Rear	2
10	32280-B	SB Floating Leg Clamp, BLK, Outer	2
11	32274-B	WELDMENT, BLK, R MTG BRKT, FLIP, SB	2
12	32285-B	BRACKET, FLAT REINFORCING, BLK	4
13	27231-0	Spoiler	1
14	32432-0	BOX INST, SBLDRK, 32260-B	1

REVISION LEVEL: **D**

Part Number: **32260-B**



for reference only!

SHEET 1 OF 1

<p>THIS PRODUCT IS SUBJECT TO CHANGE. ADRIAN STEEL COMPANY RESERVES THE RIGHT TO CHANGE THE PRODUCT OF IT'S DESIGN WITHOUT PRIOR NOTICE.</p> <p>THIS DRAWING IS THE PROPERTY OF ADRIAN STEEL COMPANY AND IS NOT TO BE USED IN ANY MANNER DETRIMENTAL TO THE INTERESTS OF ADRIAN STEEL COMPANY.</p>	Shipping Wt. (Lbs.):	<p>ADRIAN STEEL VAN AND PICKUP EQUIPMENT 906 James St. Adrian, MI 49221 517.265.6194</p>
	Coating/Finish:	
Do Not Scale This Drawing!		
Part Description: LDRK, BLK, 81 SB, REGULAR CAB	Part Number: 32260-B	REVISION LEVEL: D

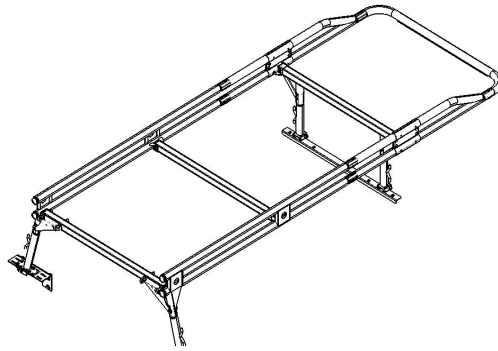


Assembly & Installation Instructions

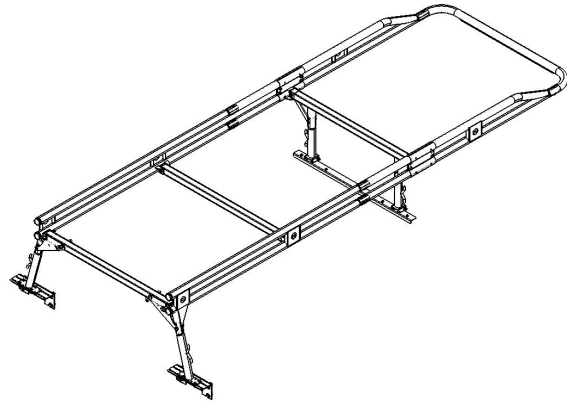
“LOAD RUNNER” LDRK FOR 8’, 9’, & 11” SERVICE BODIES

ECN-21507 DATE: 08/17/2018 DWG.BY: D. SNIDER REV.BY: KLR CHK.BY: ISSUE: D P.N.: 32431-0

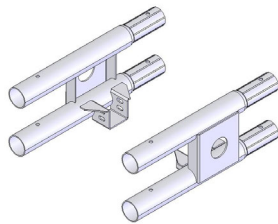
SBLR-8FR
LDRK KIT, BLK, 8’SB, REGULAR
CAB



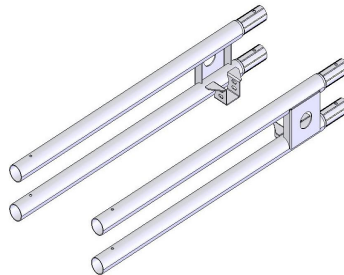
SBLR-8FE
LDRK KIT, BLK, 8’SB, EXTENDED
CAB



SBE9
EXTN RAIL KIT, BLK,
9’SB



SBE11
EXTN RAIL KIT, BLK,



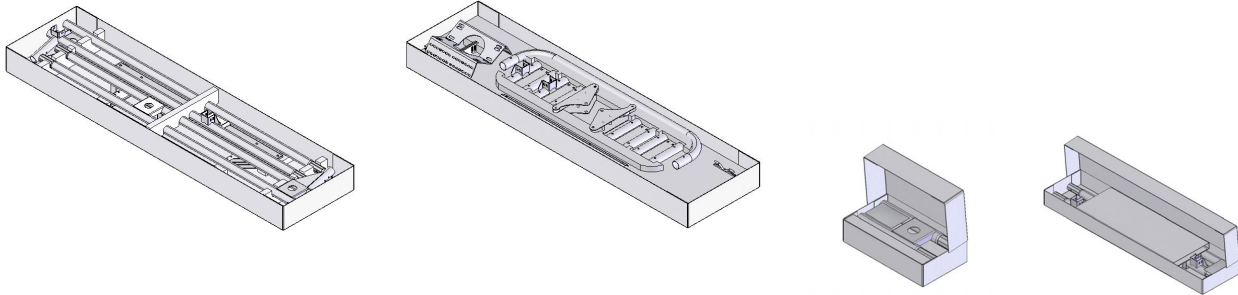


ADRIAN STEEL®

VAN AND PICKUP EQUIPMENT

Service Body Ladder Racks

Your Service Body “LOADRUNNER” ladder rack is shipped to you as a boxed module and may include additional cartons depending on the model you are installing. Upon opening your carton inspect for damage and/or missing hardware.



BEFORE YOU START



IMPORTANT NOTES PERTAINING TO USER AND/OR PRODUCT SAFETY ARE DENOTED BY A STOP SIGN AND THEY MUST BE FOLLOWED IN ORDER TO COMPLETE A SAFE ASSEMBLY AND INSTALLATION!



YOU WILL NEED THE FOLLOWING TOOLS IN ORDER TO COMPLETE THIS JOB.

**SAFETY GLASSES
PERMANENT MARKER
CENTER PUNCH
10” DRIFT PUNCH (USED IN ALIGNING BOLT HOLES IN TUBE SECTIONS)
1-STEEL HAMMER
1-RUBBER MALLET
1/2”, 9/16”, & 3/4” COMBINATION WRENCHES
1/2”, 9/16”, & 3/4” SOCKETS, WITH DRIVE RATCHETS & MISC EXTENSIONS
DE-BURRING TOOL, HEAVY DUTY
ELECTRIC HAND DRILL, 1/2” DIAMETER CHUCK
3/16”, 11/32”, & 17/32” DIAMETER DRILL BITS W/STOP COLLARS
TORQUE WRENCH (0-100 FT-LBS)**



THE USE OF AIR OR ELECTRIC IMPACT TOOLS FOR THE ASSEMBLY OF FASTENERS IS NOT RECOMMENDED AND COULD CAUSE FASTENER FAILURE!



THE USE OF DRILLS WITH INTEGRAL DRILL STOPS IS STRONGLY RECOMMENDED TO ENSURE THAT VEHICLE DAMAGE IS AVOIDED!



FASTENER STANDARDS

- ❑ Proper fastening method of Adrian Steel products should always include good metal contact, using the supplied fasteners with prepackaged arrangements.
- ❑ A nut and bolt should always be used in all locations whenever possible.
- ❑ The use of plusnut(s) is intended for applications where a nut and bolt is not possible.
- ❑ All drilled holes in the vehicle should have the raw metal edges sealed to resist corrosion.



Important: To prevent exhaust fumes from entering the vehicle, all holes should be sealed at installation with Butyl or silicon sealant material, which will remain flexible for an extended period of time.



-
- ❑ Adrian Steel's blind fastener of choice is the plusnut. Adrian supplies two thread sizes, 1/4-20 and 5/16-18. 5/16-18 fasteners are used only as directed.
 - ❑ After locating all positions that require a plusnut, drill the proper size hole (use a drill stop!) for the plusnut. A 1/4-20 plusnut uses 3/8" diameter drill (all locations), and the 5/16-18 uses 1/2" diameter drill (floor only).



**** GENERAL COMMENTS ****

Due to the many manufacturers and configurations of service bodies available there are several exceptions that must be noted concerning assembly and installation of the “LoadRunner” style service body ladder rack.




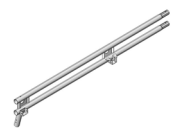


1. Any service body with a telescoping cover **CAN NOT** have this ladder rack installed due to interference of service body components and ladder rack mounting hardware.
2. Any service body with a “master lock” feature **CAN NOT** have this ladder rack installed due to interference of service body components and ladder rack mounting hardware.
3. Any service body with a “cargo enclosure cover” **CAN NOT** have this ladder rack installed due to interference of service body components and ladder rack mounting hardware.
4. A “low profile” service body **requires** a “leg extension kit”.
5. Service bodies longer than the (8) feet **require** a transition truss rail kit.



Service Body Ladder Racks

STEP 01a (REGULAR CAB, w/8' SERVICE BODY)

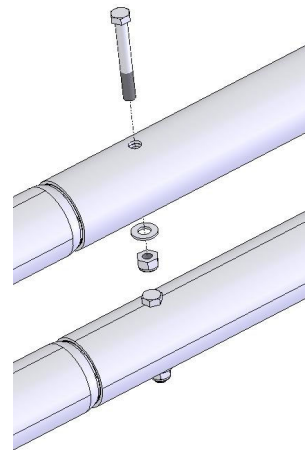
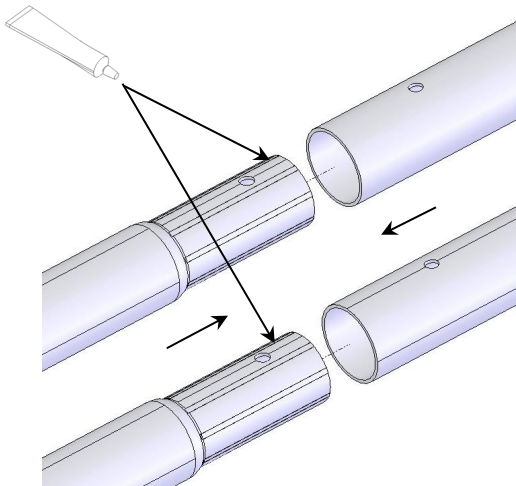
First apply a ¼" bead of SILICONE SEALANT (26618-0) fully around the front of all four "swages" on the LEFT REAR TRUSS ASSY (26595-0) and the RIGHT REAR TRUSS ASSY (26596-0). Then spread the SEALANT back evenly over the "swaged" areas only. Next slide the LEFT REAR TRUSS ASSEMBLY and the FRONT TRUSS ASSY (32269-B) together. Once both fastener bolt holes in the upper and lower tubes are aligned, secure with fasteners as shown below, tighten to 25 ft-lbs torque. Repeat for the RIGHT REAR TRUSS ASSEMBLY and the FRONT TRUSS ASSY.

					
BOLT, HEX HEAD, 5/16-18UNC X 2.50" FAS0243	WASHER, FLAT, 5/16" I.D. HRD ZN FAS0245	NUT, NYLON LOCK, 5/16-18UNC FAS0248 (25 ft-lbs TORQUE)	LEFT REAR TRUSS 8 ft BED 26595-0 (BLK)	RIGHT REAR TRUSS 8 ft BED 26596-0 (BLK)	FRONT TRUSS (LEFT & RIGHT) REGULAR CAB 32269-B (BLK)

**LEFT REAR TRUSS
8' SB
26595-0**

**FRONT LEFT TRUSS
8' SB
32269-B**

**RIGHT REAR TRUSS
8' SB
26596-0**











Service Body Ladder Racks

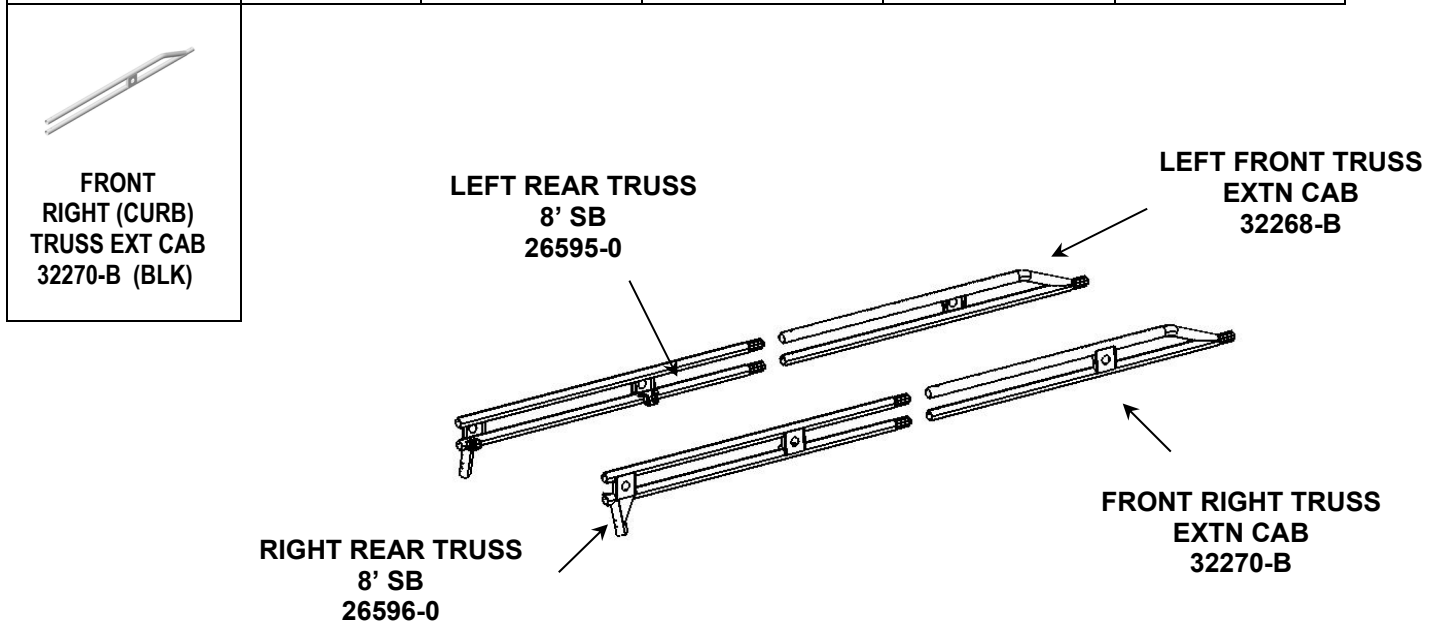
Note:

The rear trusses might need to be “tapped” in with a hammer into the front trusses. Use a rubber mallet or place a 2x4” across tube ends, to protect ends, if using a steel hammer. Use of a 10” drift punch will aid in aligning the bolt through holes.

STEP 01b (EXTENDED CAB, w/8' SERVICE BODY)

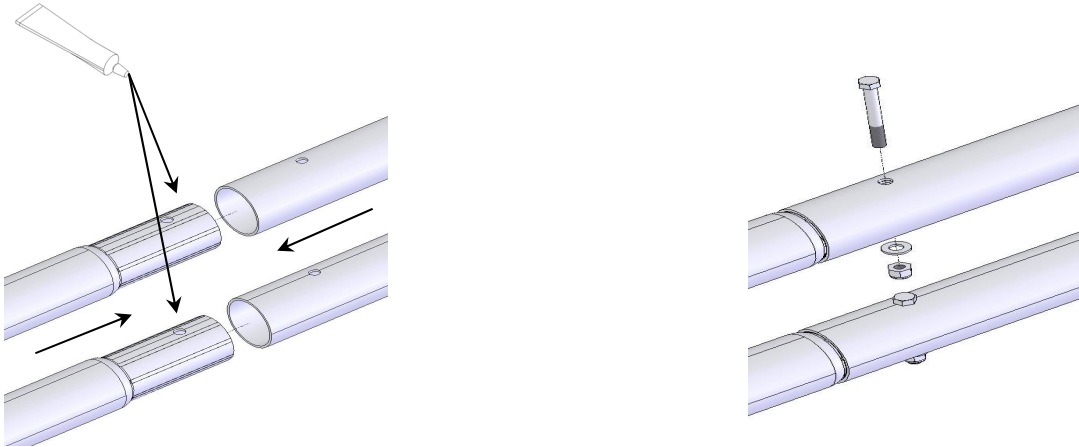
First apply a ¼” bead of SILICONE SEALANT (26618-0) fully around the front of both “swages” on the LEFT REAR TRUSS ASSY (26595-0) and the RIGHT REAR TRUSS ASSY (26596-0). Then spread the SEALANT back evenly over the “swaged” areas only. Next slide the LEFT REAR TRUSS ASSEMBLY and the FRONT LEFT TRUSS ASSY (32268-B) together. Once both fastener bolt holes in the upper and lower tubes are aligned, secure with fasteners as shown below, tighten to 25 ft-lbs torque. Repeat for the RIGHT REAR TRUSS ASSEMBLY (26596-0) and the FRONT RIGHT TRUSS ASSY (32270-B).

					
BOLT, HEX HEAD, 5/16-18UNC X 2.50" FAS0243	WASHER, FLAT 5/16”I.D. HRD ZN FAS0245	NUT, NYLON, LOCK 5/16-18UNC FAS0248 (25 ft-lbs TORQUE)	LEFT REAR (STREET) TRUSS 8 ft BED 26595-0 (BLK)	RIGHT REAR (CURB) TRUSS 8 ft BED 26596-0 (BLK)	FRONT LEFT(STREET) TRUSS EXT CAB 32268-B (BLK)





Service Body Ladder Racks



Note:







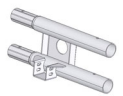
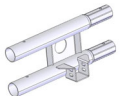
The rear trusses might need to be “tapped” in with a hammer into the front trusses. Use a rubber mallet or place a 2x4” across tube ends, to protect ends, if using a steel hammer. Use of a 10” drift punch will aid in aligning the bolt through holes.

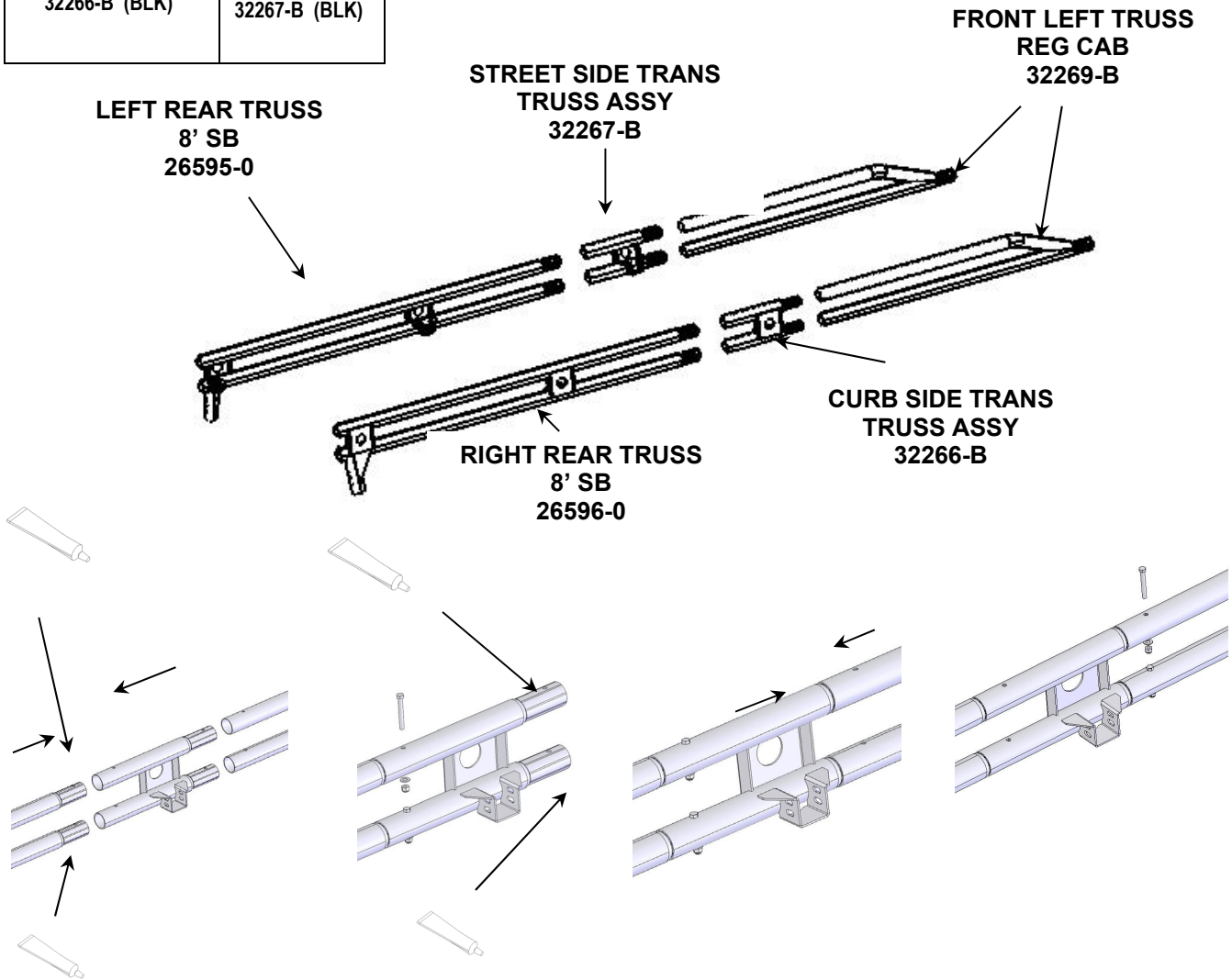
STEP 01c (REGULAR CAB, w/9’ SERVICE BODY)

First apply a ¼” bead of SILICONE SEALANT (26618-0) fully around the front of all four “swages” on the LEFT REAR TRUSS ASSY (26595-0) and the RIGHT REAR TRUSS ASSY (26596-0). Then spread the SEALANT back evenly over the “swaged” areas only. Next slide the LEFT REAR TRUSS ASSEMBLY into the STREET SIDE TRANSITION TRUSS ASSY (32267-B). Once bolt thru holes are aligned, secure together with fasteners listed below, tighten to 25 ft-lbs torque. Next apply a ¼” bead of SEALANT full around the front of both “swages” of the STREET SIDE TRANSITION TRUSS ASSY (32267-B). Then spread the SEALANT back evenly over the “swaged” area only. Insert the REAR/STREET SIDE TRANSITION TRUSS subassembly into the LEFT FRONT TRUSS ASSEMBLY (32268-b). Once holes are aligned, secure together with fasteners listed below, tighten to 25 ft-lbs torque. Repeat procedure for the right (CURB SIDE) hardware.



Service Body Ladder Racks

 <p>BOLT, HEX HEAD, 5/16-18UNC X 2.50" FAS0243</p>	 <p>WASHER, FLAT, 5/16" I.D. HRD ZN FAS0245</p>	 <p>NUT, NYLON, LOCK 5/16-18UNC FAS0248 (25 ft-lbs TORQUE)</p>	 <p>LEFT REAR (STREET) TRUSS 8 ft BED 26595-0 (BLK)</p>	 <p>RIGHT REAR (CURB) TRUSS 8 ft BED 26596-0 (BLK)</p>	 <p>FRONT TRUSS (LEFT & RIGHT) REGULAR CAB 32269-B (BLK)</p>
 <p>CURB SIDE TRANS. TRUSS 32266-B (BLK)</p>	 <p>STREET SIDE TRANS. TRUSS 32267-B (BLK)</p>				



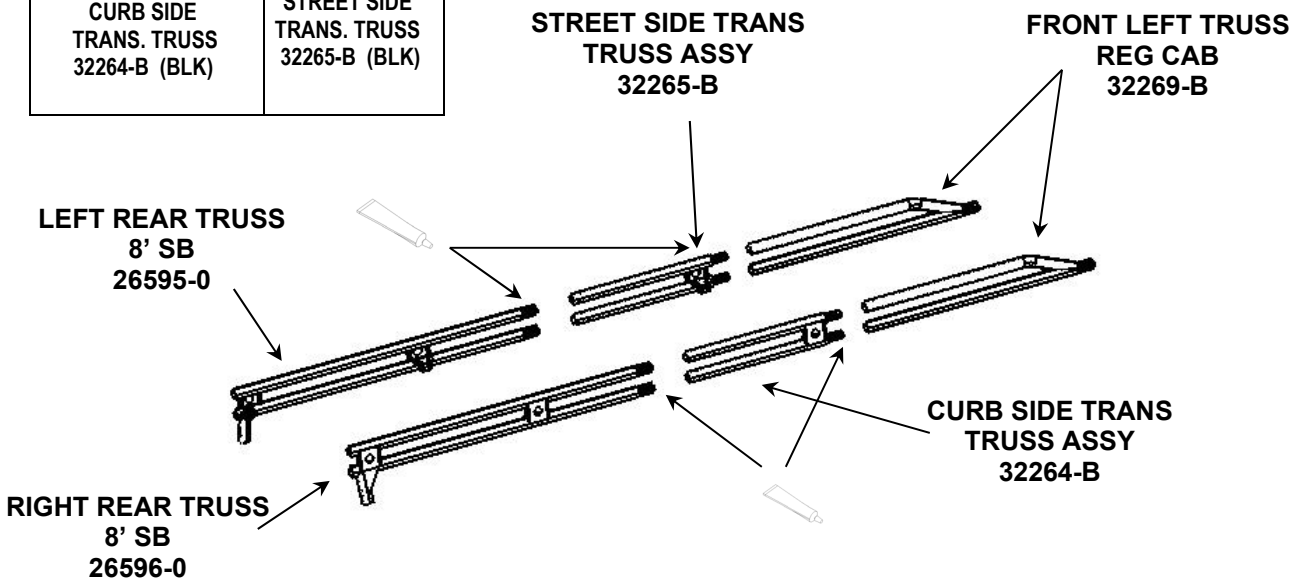




Service Body Ladder Racks

STEP 01c continued (REGULAR CAB, w/11' SERVICE BODY)

Repeat assembly procedure as outlined above for the longer STREET and CURB SIDE TRANSITION TRUSS ASSEMBLIES..

 BOLT, HEX HEAD, 5/16-18UNC X 2.50" FAS0243	 WASHER, FLAT, 5/16" I.D. HRD ZN FAS0245	 NUT, NYLON, LOCK 5/16-18UNC FAS0248 (25 ft-lbs TORQUE)	 LEFT REAR (STREET) TRUSS 8 ft BED 26595-0 (BLK)	 RIGHT REAR (CURB) TRUSS 8 ft BED 26596-0 (BLK)	 FRONT TRUSS (LEFT & RIGHT) REGULAR CAB 32269-B (BLK)
 CURB SIDE TRANS. TRUSS 32264-B (BLK)	 STREET SIDE TRANS. TRUSS 32265-B (BLK)	 <p>STREET SIDE TRANS TRUSS ASSY 32265-B</p> <p>FRONT LEFT TRUSS REG CAB 32269-B</p> <p>LEFT REAR TRUSS 8' SB 26595-0</p> <p>RIGHT REAR TRUSS 8' SB 26596-0</p> <p>CURB SIDE TRANS TRUSS ASSY 32264-B</p>			



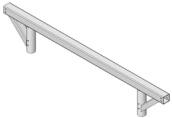


Note:

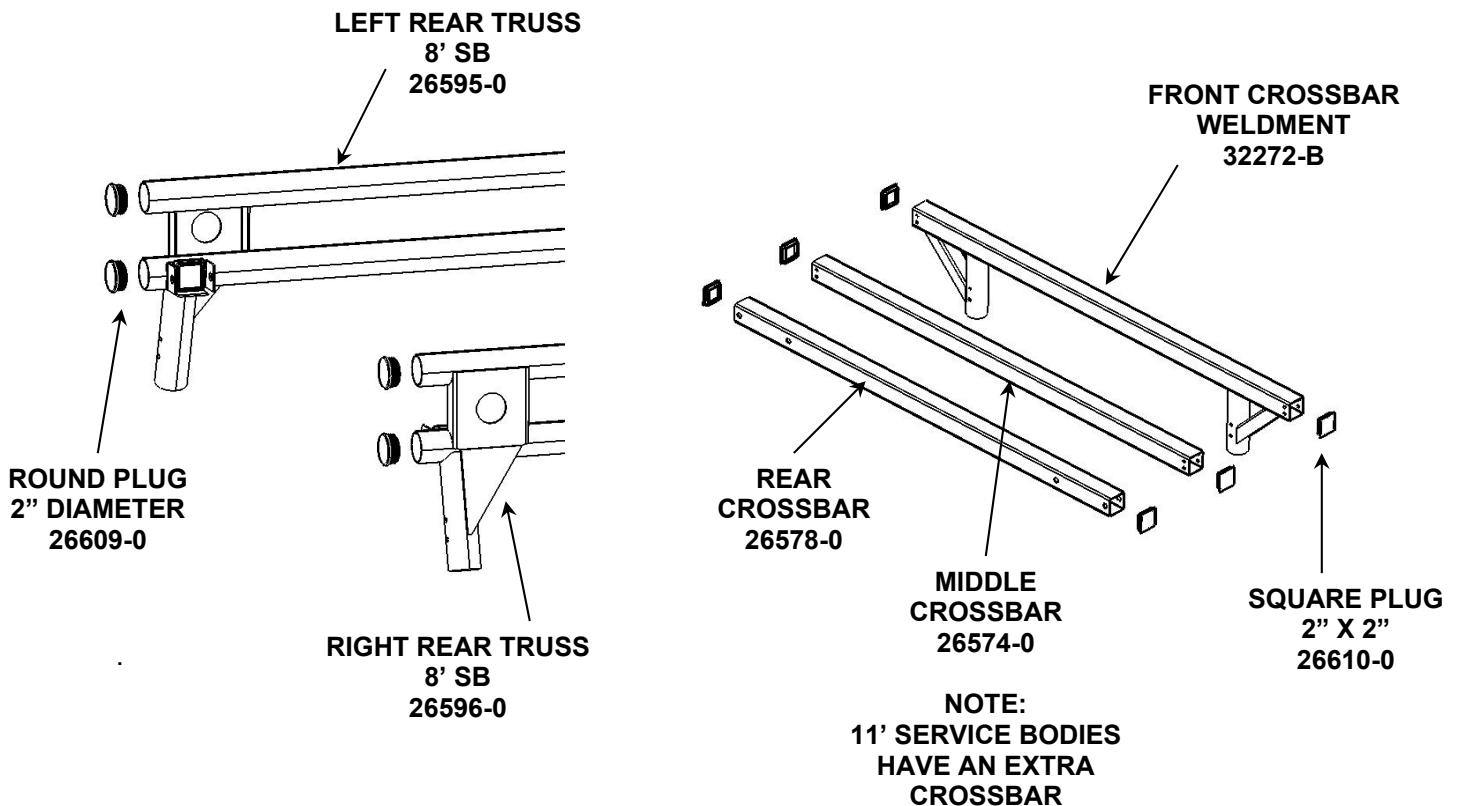
The rear trusses might need to be "tapped" in with a hammer into the side trans trusses. Use a rubber mallet or place a 2x4" across tube ends if using a steel hammer. Use of a 10" drift punch will aid in bolt through hole alignment. After securing the rear truss to the trans trusses with the specified fasteners repeat step for the front trusses.



STEP 02 (ROUND & SQUARE TUBE PLUG INSTALLATION)

To finish the street and curb side TRUSS RAIL SUBASSEMBLIES, you must insert the ROUND PLASTIC PLUGS (26609-0) into the LEFT AND RIGHT REAR TRUSS ASSY tube ends. These plugs must be full seated, use a rubber mallet to fully seat plug flange against truss tube ends. Before any of the CROSSBARS (Front, Middle, & Rear) can be assembled you will need to insert the SQUARE PLASTIC PLUGS (26610-0) into each end of the crossbars. These plugs must be fully seated, use a rubber mallet to fully seat plug flange against crossbar tube ends.



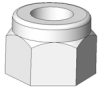
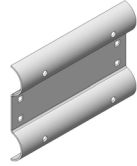
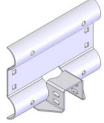
 <p>2" ROUND PLUG 26609-0</p>	 <p>2" SQUARE PLUG 26610-0</p>	 <p>FRONT CROSSBAR WELDMENT 32272-B (BLK)</p>	 <p>MIDDLE CROSSBAR 26574-0 (BLK)</p>	 <p>REAR CROSSBAR 26578-0 (BLK)</p>
--	---	--	---	--

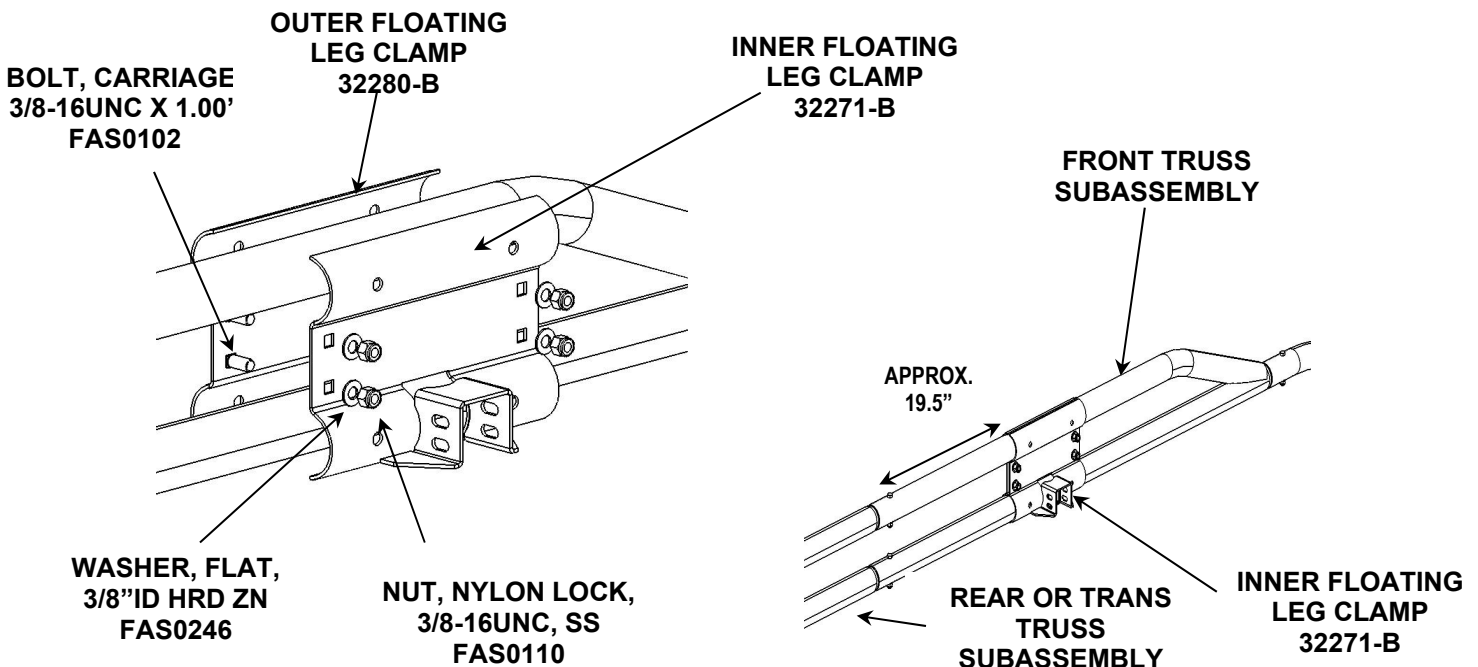




STEP 03 (OUTER & INNER CLAMP INSTALLATION)

Position the OUTER FLOATING LEG CLAMP (32280-B) against the street side front truss subassembly as shown in the top left view below. While holding the OUTER FLOATING LEG CLAMP, position the “INNER” CLAMP WELDMENT (32271-B) opposite the OUTER FLOATING LEG CLAMP. Secure the two parts together using the fasteners as shown below. Do not tighten fasteners. Leave enough play in fasteners such that the clamp weldment subassembly will move freely on truss tubes. Exact position will be determined at final install on the service body. At this time however position approximately as shown in bottom view below. Repeat steps for the curb side truss subassembly.

 BOLT, CARRIAGE, 3/8-16UNC X 1.00" FAS0102	 WASHER, FLAT, 3/8" I.D. HRD ZN FAS0246	 NUT, NYLON LOCK, 3/8-16UNC, SS FAS0110	 OUTER FLOATING LEG CLAMP 32280-B (BLK)	 INNER FLOATING LEG CLAMP 32271-B (BLK)
---	--	--	---	--









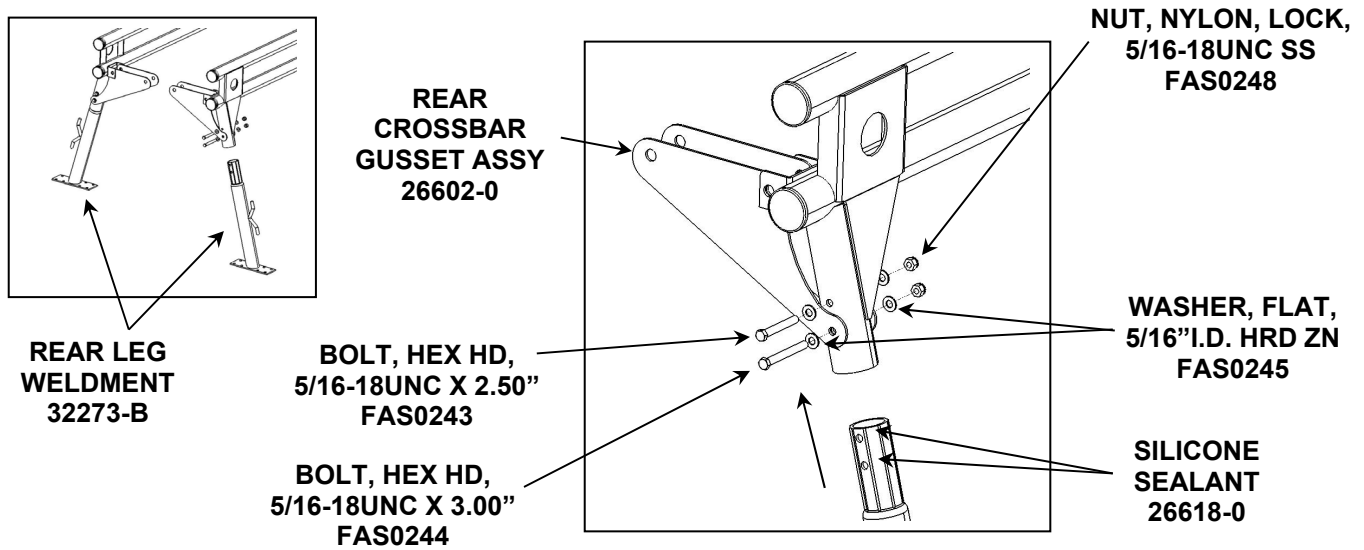


STEP 04

(REAR LEG -RR CROSSBAR GUSSET INSTALL)

Apply (2) ¼” beads of SILICONE SEALANT fully around the “swage” on both of the REAR LEG WELDMENTS (32273-B) just above each pierced hole. Then spread the sealant down evenly over the “swaged” area only. Now insert the REAR LEG WELDMENT into the REAR CURB SIDE TRUSS ASSY keeping the “rope hook” to the outside. These legs will fit tight and might need be tapped into place. After the mating holes have been aligned, position the REAR CROSSBAR GUSSET ASSY (26602-0) as shown below and secure the REAR LEG WELDMENT to the REAR CURB SIDE TRUSS ASSY using the fasteners listed in figure below. Repeat procedure for the street side components.

					
BOLT, HEX HEAD, 5/16-18UNC X 2.50" FAS0243	BOLT, HEX HEAD, 5/16-18UNC X 3.00" FAS0244	WASHER, FLAT, 5/16" I.D. HRD ZN FAS0245	NUT, NYLON, LOCK 5/16-18UNC FAS0248 (25 ft-lbs TORQUE)	REAR CROSSBAR GUSSET ASSY (26602-0)	REAR LEG WELDMENT ASSY 32273-B



Note:






The rear leg weldments might need to be “tapped” in with a hammer into the rear trusses. Use a rubber mallet or place a 2x4” across tube ends if using a steel hammer. Use of a 10” drift punch will aid in alignment of bolt through holes.

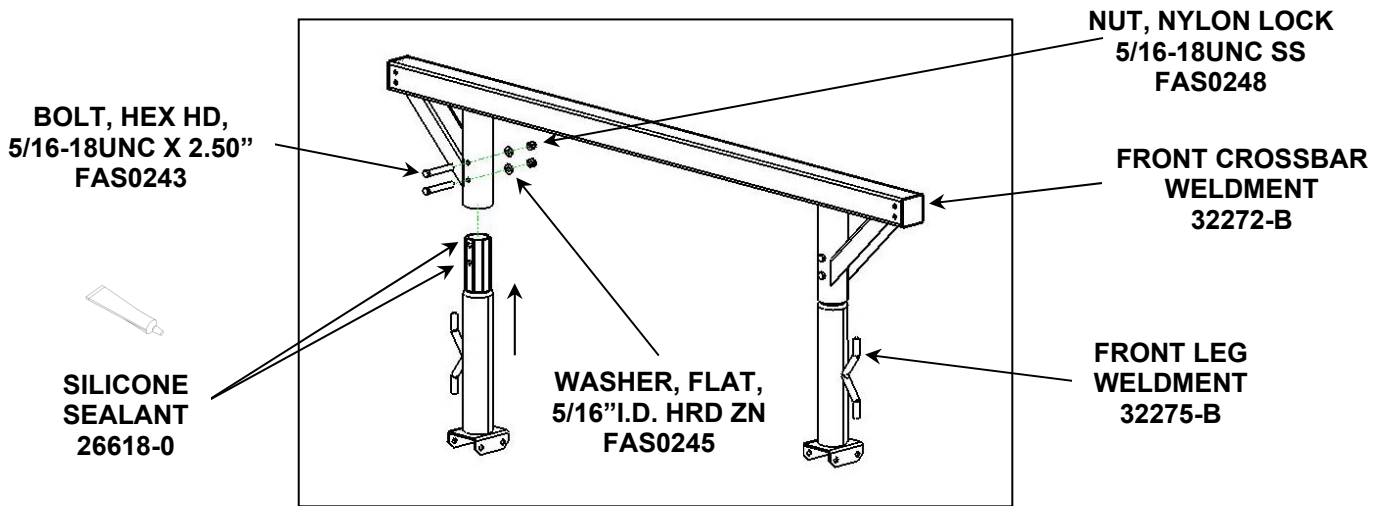


Service Body Ladder Racks

STEP 05 (FRONT CROSSBAR & FRONT LEG INSTALLATION)

Apply (2) ¼" beads of SILICONE SEALANT fully around the "swage" on both of the FRONT LEG WELDMENTS (32275-B) just above each pierced hole. Then spread the sealant down evenly over the "swaged" area only. Now insert the FRONT LEG WELDMENT into the FRONT CROSSBAR WELDMENT (32272-B) keeping the "rope hook" to the outside. These legs will fit tight and might need be tapped into place. After the mating holes have been aligned, secure each FRONT LEG WELDMENT to the FRONT CROSSBAR WELDMENT using the fasteners listed in figure below. Tighten hardware to 25 ft-lbs torque





				
BOLT, HEX HEAD, 5/16-18UNC X 2.50" FAS0243	WASHER, FLAT, 5/16" I.D. HRD ZN FAS0245	NUT, NYLON LOCK, 5/16-18UNC FAS0248 (25 ft-lbs TORQUE)	FRONT LEG WELDMENT 32275-B (BLK)	FRONT CROSSBAR WELDMENT 32272-B (BLK)

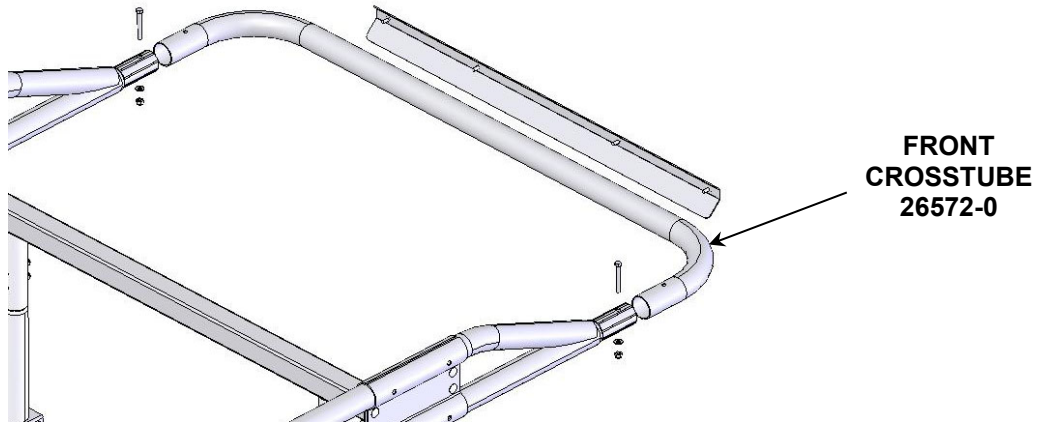




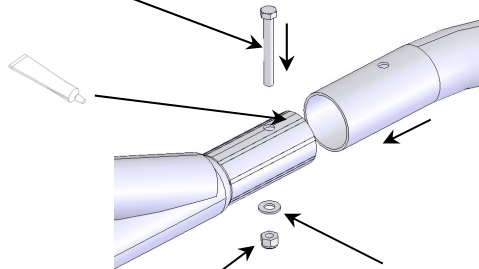
STEP 06 (FRONT CROSSTUBE – STREET/CURB SIDE TRUSS)

First apply a ¼” bead of SILICONE SEALANT (26618-0) fully around the front of both “swages” on the LEFT & RIGHT FRONT TRUSS subassemblies. Then spread the SEALANT back evenly over the “swaged” areas only. Now slide the FRONT CROSSTUBE (26572-0) into the LEFT & RIGHT FRONT TRUSS subassemblies. Once the thru bolt holes are aligned, secure in place with the fasteners listed below and tighten to 25 ft-lbs torque

			
BOLT, HEX HEAD, 5/16-18UNC X 2.50” FAS0243	WASHER, FLAT, 5/16”I.D. HRD ZN FAS0245	NUT, NYLON LOCK, 5/16-18UNC FAS0248 (25 ft-lbs TORQUE)	FRONT CROSSTUBE 26572-0 (BLK)

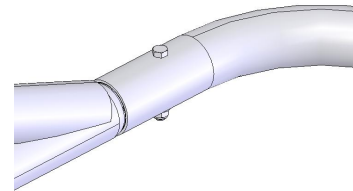


**BOLT, HEX HD,
5/16-18UNC X 2.50”
FAS0243**



**NUT, NYLON LOCK,
5/16-18UNC SS
FAS0248**

**WASHER, FLAT,
5/16”I.D. HRD ZN
FAS0245**









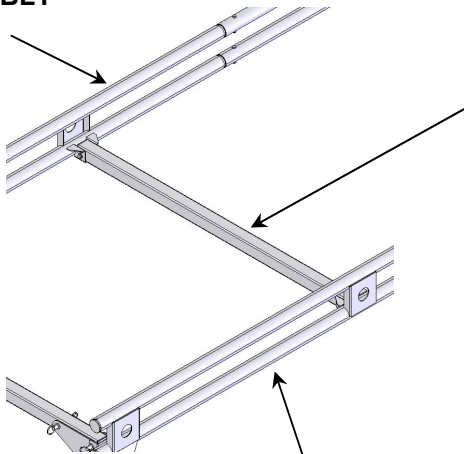
STEP 08

(MIDDLE CROSSBAR INSTALLATION)

Now assembly the MIDDLE CROSSBAR (26574-0) to the STREET & CURB SIDE TRUSS subassemblies. Fasten it 'loosely' using the fasteners as shown below, DO NOT TIGHTEN to final torque. If assembling a a 11" service body ladder rack, install additional crossbar in transition truss subassembly.

			
BOLT, HEX HEAD, 5/16-18UNC X 3.00" FAS0244	WASHER, FLAT, 5/16" I.D. HRD ZN FAS0245	NUT, NYLON LOCK, 5/16-18UNC FAS0248 (25 ft-lbs TORQUE)	MIDDLE CROSSBAR 26574-0 (BLK)

**STREET SIDE TRUSS
SUBASSEMBLY
(REF)**



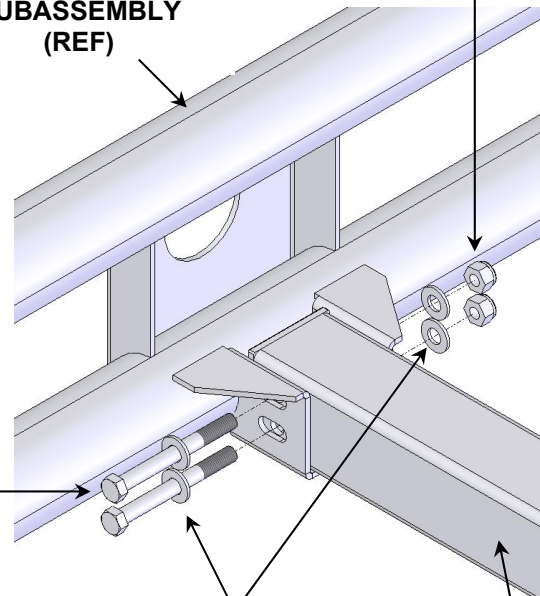
**MIDDLE
CROSSBAR
26574-0**

**NUT, NYLON LOCK,
5/16-18UNC SS
FAS0248**

**STREET SIDE TRUSS
SUBASSEMBLY
(REF)**

**CURB SIDE TRUSS
SUBASSEMBLY
(REF)**

**BOLT, HEX HEAD,
5/16-18UNC X 3.00"
FAS0244**



**WASHER, FLAT,
5/16" I.D. HRD ZN
FAS0245**

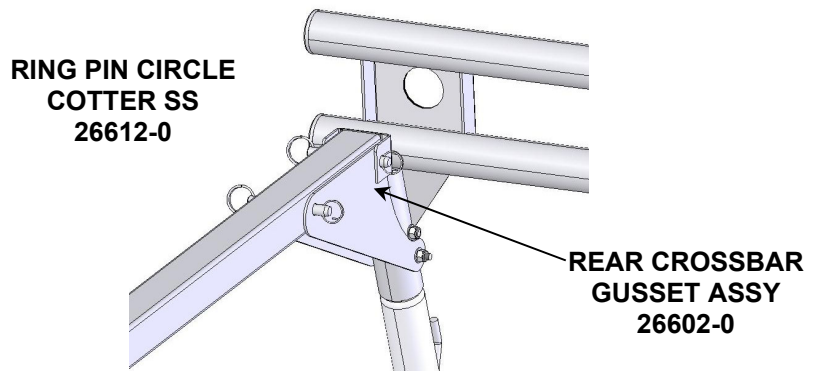
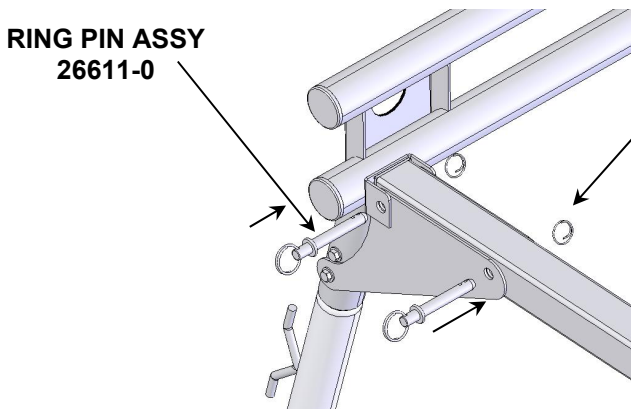
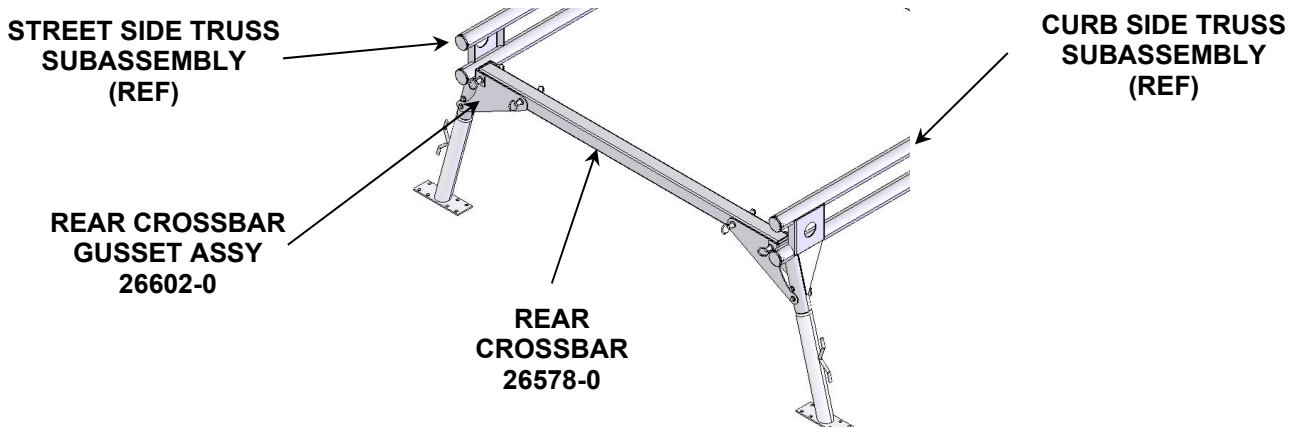
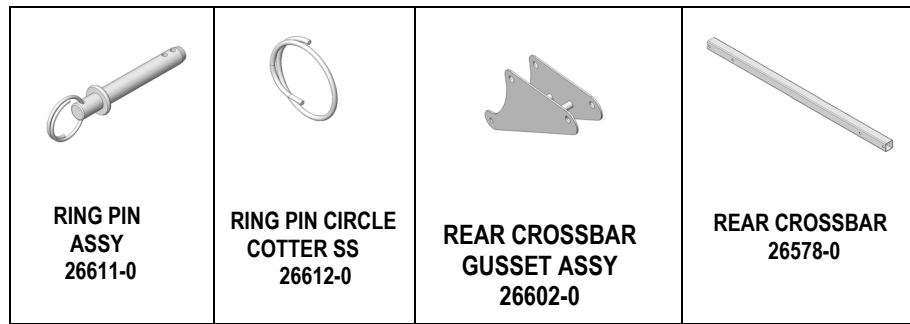
**MIDDLE
CROSSBAR
26574-0**



STEP 09 (REAR CROSSBAR – STREET/CURB SIDE TRUSS)

Set the REAR CROSSBAR (26578-0) into the REAR TRUSSES and CROSSBAR GUSSETS as shown in figure below. Insert a RING PIN (26611-0) into all four holes going through the GROSSBAR GUSSETS by “looping” the COTTER CIRCLE (26612-0) through the hole in the RING PIN like a key ring.

Note: These RING PINS and REAR CROSSBAR can be removed for loading and unloading tall payloads, but they must be installed when the truck is driven!

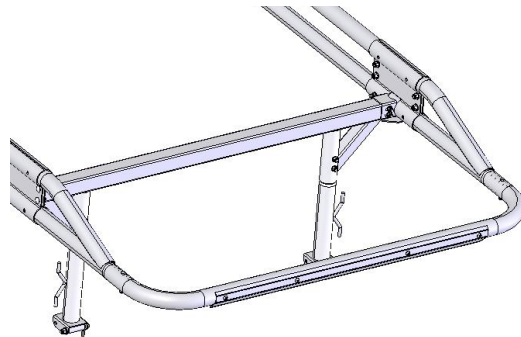
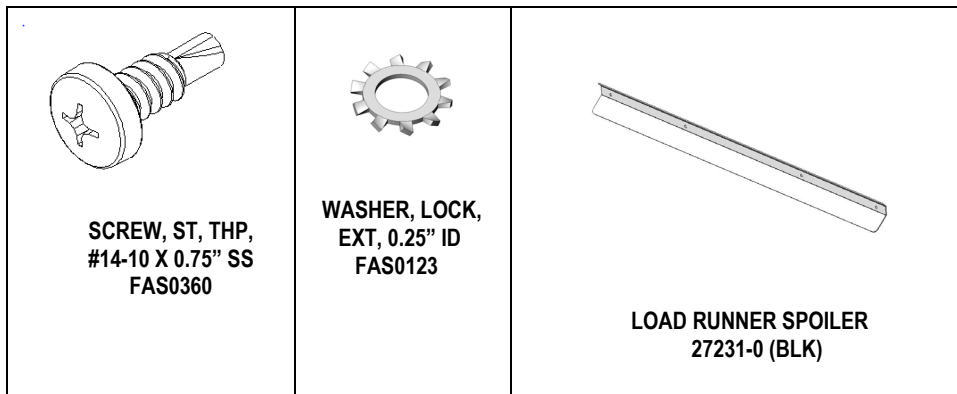




STEP 10

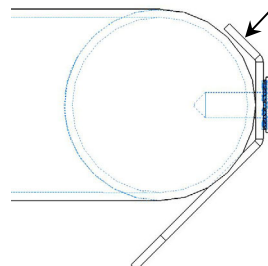
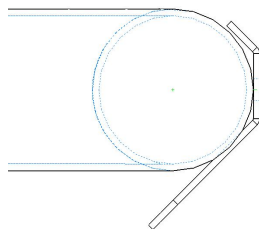
(AIR DEFLECTOR "SPOILER" INSTALLATION)

Position the SPOILER (27231-0) against the FRONT CROSSTUBE as shown below. Be sure the spoiler is centered and the front surface is orientated as in bottom right figure below. Using the SPOILER as a template, drill (4) 3/16" diameter holes in the front of the FRONT CROSSTUBE. Secure SPOILER to the FRONT CROSSTUBE with the fastener listed below. Note apply some SILICONE SEALANT to the fasteners threads prior to installation and final tightening.



**LR "AIR DEFLECTOR"
SPOILER
27231-0**

**TOP OF SERVICE BODY
LADDER RACK**



**BOTTOM OF SERVICE
BODY LADDER RACK**

**TRUSS HD PHILLIPS
SCREW, ST, THP #14-10 X
0.75" SS
&
EXTERNAL TOOTH LOCK
WASHER INSTALLED**

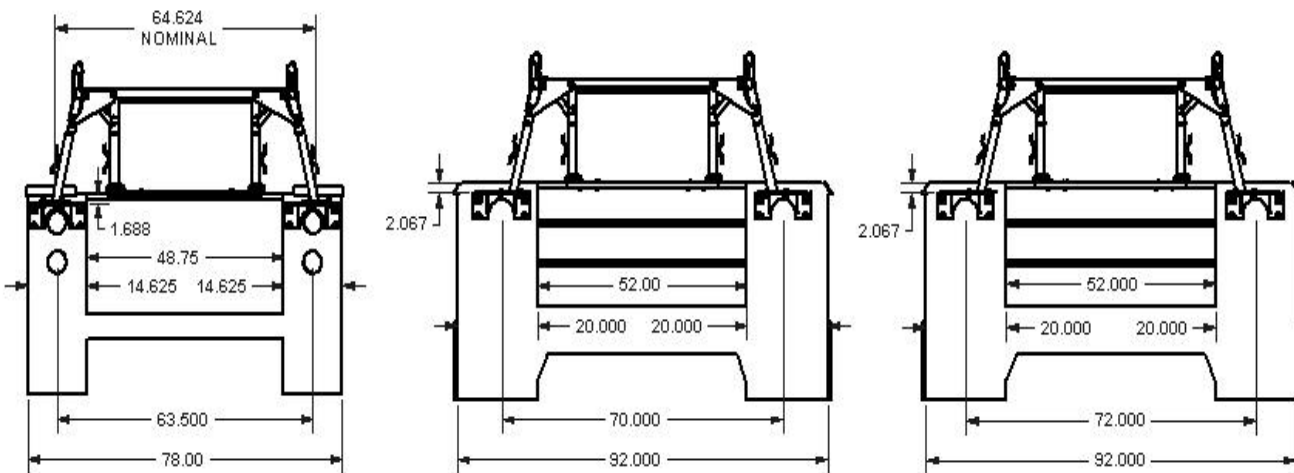
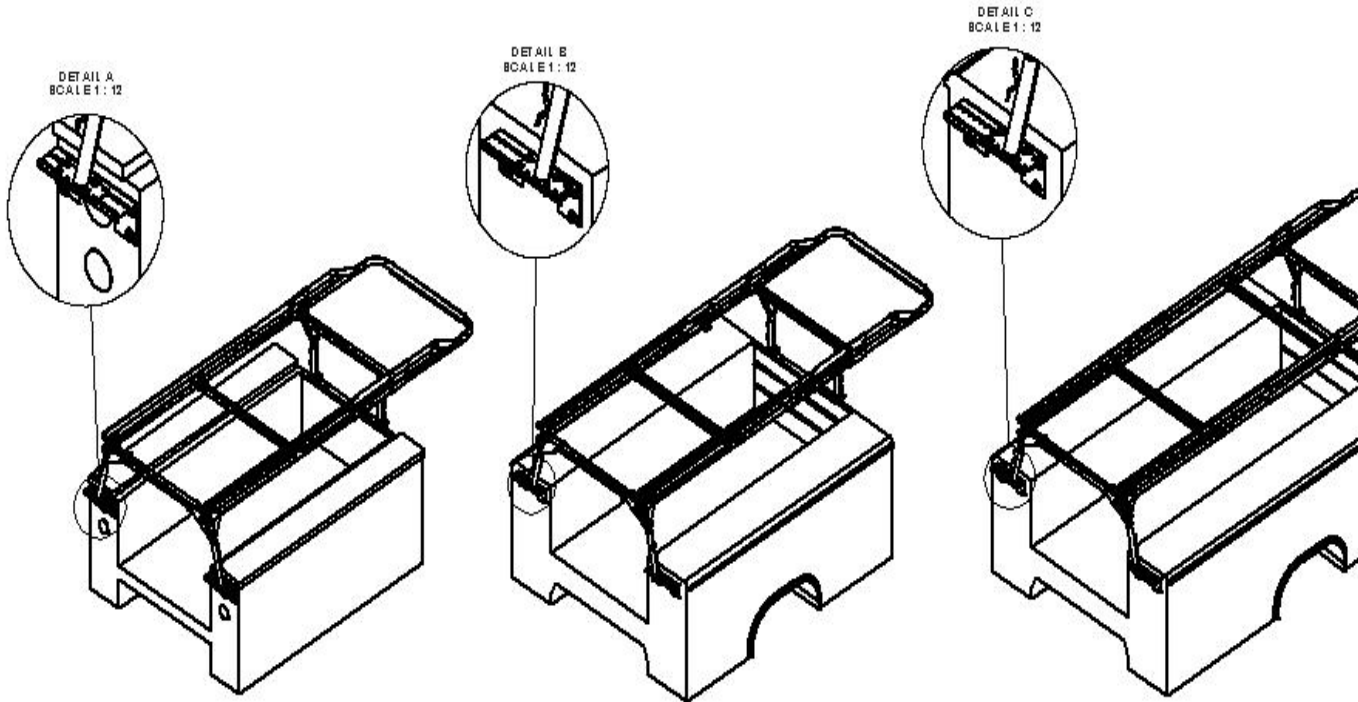
**NOTE:
APPLY SILICON SEALANT TO
SCREW THREADS DURING
INSTALLATION**



Service Body Ladder Racks

YOU ARE NOW READY TO INSTALL YOUR LADDER RACK ONTO YOUR TRUCK SERVICE BODY. PLEASE READ STEPS CAREFULLY FOR A GOOD INSTALLATION! SHOWN BELOW ARE (3) TYPICAL CONFIGURATIONS STARTING FROM LEFT TO RIGHT

- SBLR-8FR w/KNAPHEIDE (696FJ40) 8' Service Body**
- SBLR-8FR, SBE9 w/READING (HD108AB) 9' Service Body**
- SBLR-8FR, SBE11 w/READING (HD132AB) 11' Service Body**



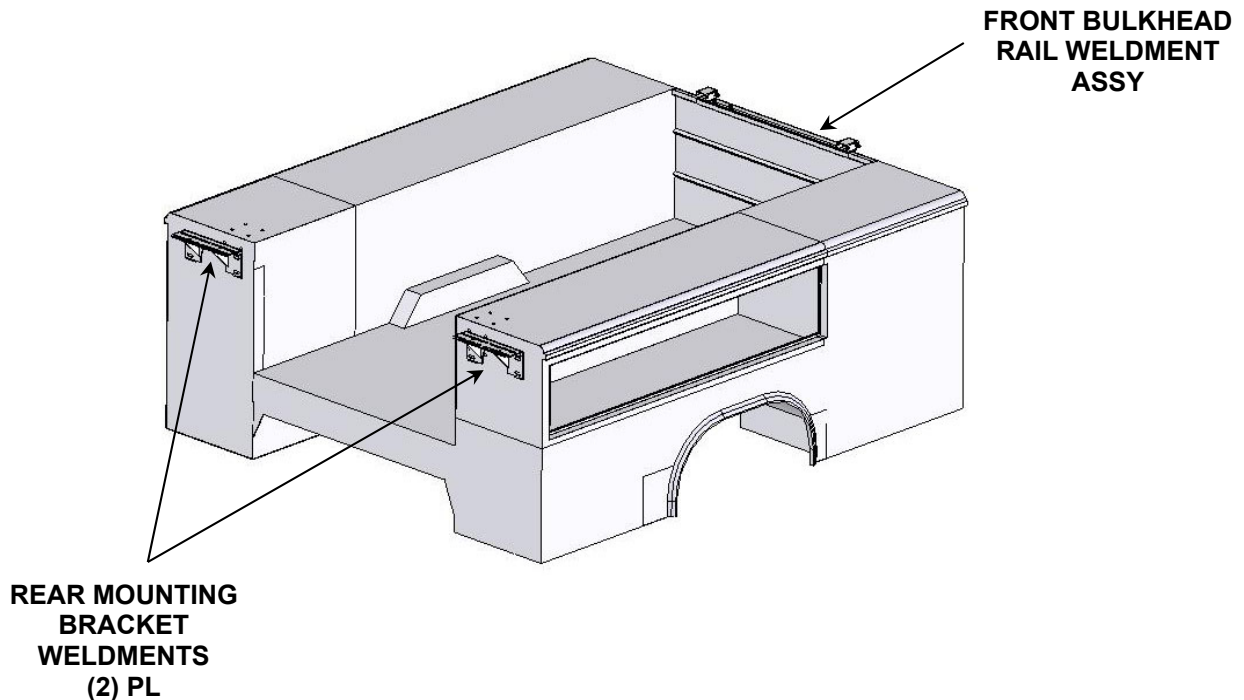


ADRIAN STEEL®

VAN AND PICKUP EQUIPMENT

Service Body Ladder Racks

There are two subassemblies that must be mounted on your service body prior to attaching the previously assembled ladder rack. The first being the front bulkhead rail weldment and the second being the (2) rear mounting bracket weldments. Please refer to the figure below for details.



Please note that due to the large number of service body manufacturers and styles available, mounting of the rear mounting brackets may have to be modified as required by the installer.







The rear mounting brackets have a circular cutout that needs to be centered on the rear tail light lens cover (if your service body is so equipped). Please see the SBLR-8FR w/Knapheide (696FJ40) 8' Service Body figure shown above for detail view.

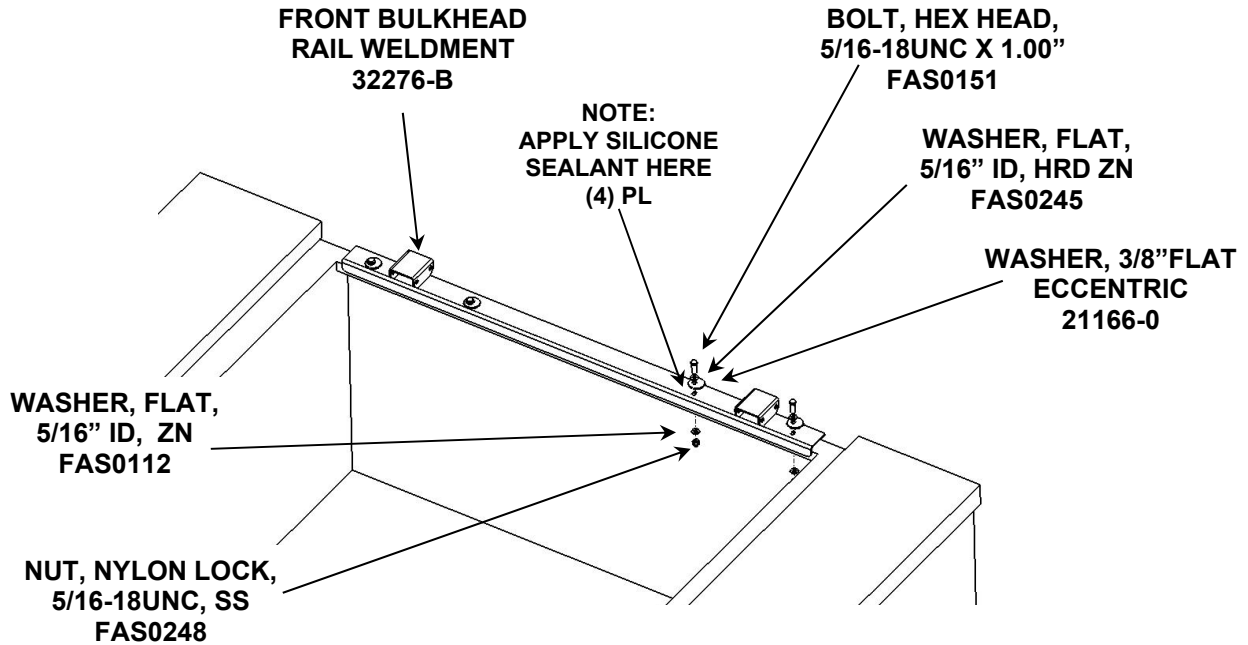
If your particular service body has lights that are located far enough below the top horizontal surface or located in the bumper, positioning of the rear mounting bracket can be completed as shown in the SBLR-8FR, SBE9 w/READING (HD108AB cat) 9' Service Body shown above for detail view.



STEP 11 (FRONT BULKHEAD RAIL INSTALLATION)

Position the FRONT BULKHEAD RAIL WELDMENT (32276-B) flange against the front inside surface of the service body cargo area front wall as shown below. Center the weldment by measuring from each end of the weldment rail to the side wall of the service body cargo area. Make both of these measurements equal to each other. Mark all (4) through holes in the weldment rail with permanent marker and set weldment aside. Center punch all (4) marked holes and drill a 11/32" diameter through hole. Deburr the (4) drilled holes with a heavy duty deburring tool. Reposition the weldment rail over the drill bolt mounting holes and secure the bulkhead weldment to the service body with the fasteners as shown below. Apply SILICONE SEALANT to drill hole surface to seal exposed metal prior to inserting fasteners. Tighten all fasteners to 25 ft-lbs torque.

					
BOLT, HEX HEAD, 5/16-18UNC X 1.00" FAS0151	WASHER, FLAT, 5/16" I.D. HRD ZN 0.688" OD FAS0245	WASHER, FLAT, 5/16" I.D. ZN 0.875" OD FAS0112	WASHER, 3/8" ID, ECCENTRIC 21166-0	NUT, NYLON LOCK, 5/16-18UNC FAS0248 (25 ft-lbs TORQUE)	BULKHEAD RAIL WELDMENT 32276-B (BLK)



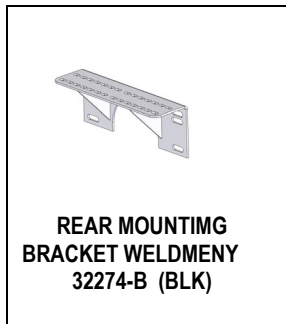


STEP 12 (REAR MOUNTING BRACKET INSTALLATION)

Depending on your service body manufacturer and style, position the rear mounting brackets over the top tail light lens cover, as shown in top image below. If your service body has the rear tail lights located lower down, so that you do not have to center the cutout in the bracket over the top, position brackets as shown in the lower of the two images below. The dimensions in view is recommended to make the truss tubes parallel to the service body. However to fit above the tail lights, it may be necessary to shorten this distance.

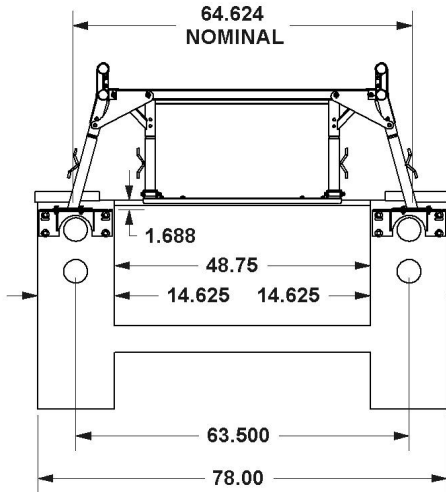
Position one REAR MOUNTING BRACKET WELDMENT (32274-B) as outlined above. While maintaining the brackets top slotted surface parallel with the service body top horizontal surface, mark on the service body vertical wall section, the upper and lower bracket mounting slots. After marking all (4) slots set bracket aside at this time. Repeat marking steps for the opposite side mounting bracket. At this time it is important to inspect the inner support structure of your service body. If recommended dimension must be shortened, it may be necessary to use alternate slots instead of upper slots.

Inspect for internal metal supports, wire harness routing, anything that could possibly restrict access to installing internal mounting plates and fasteners. After determining all possible obstructions, and if confident about accessibility for internal fasteners please proceed with this install procedure. If not reposition bracket slot location as required. Locate the center of each marked slot, position center punch and make indent in service body metal. Use caution because if holes are not properly spaced installation of brackets will require enlarging one or more holes. After center punching holes reposition the mounting bracket and visually inspect indents to ensure they are centered in the mounting bracket slots. Remark indents as required.





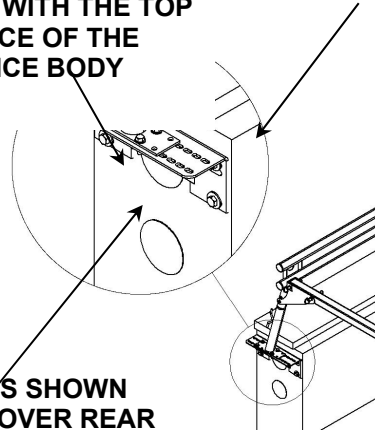
Service Body Ladder Racks



IMPORTANT NOTE:
MAINTAIN THIS SURFACE OF MOUNTING BRACKET PARALLEL WITH THE TOP SURFACE OF THE SERVICE BODY

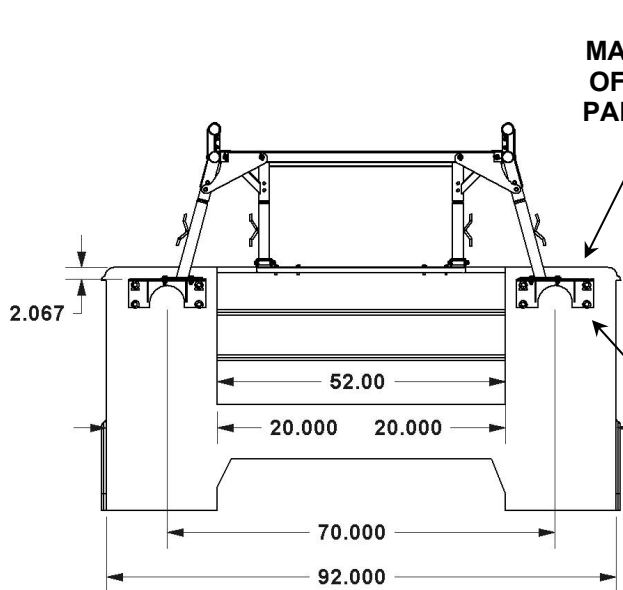
TOP SURFACE OF SERVICE BODY

BRACKETS SHOWN CENTERED OVER REAR SERVICE BODY TAIL LIGHT LENS COVERS



STEP 12

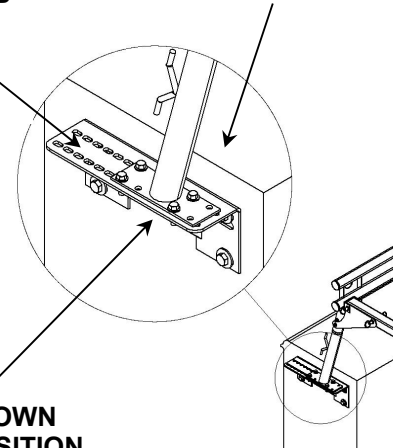
(REAR MTG BRKT INSTALL, Continued)



IMPORTANT NOTE:
MAINTAIN THIS SURFACE OF MOUNTING BRACKET PARALLEL WITH THE TOP SURFACE OF THE SERVICE BODY

TOP SURFACE OF SERVICE BODY

BRACKET SHOWN IN NOMINAL POSITION



Prior to drilling the through holes in the rear service body panels, visually inspect the internal structure of the service body. Look for any internal sheet metal obstructions, any internal tail light wire routing. Many service bodies have internal structures (in tail light area) similar to image shown below. If required remove any tail light lenses, disconnect wiring harness, reposition wire harness in a out of the way place prior to drilling through holes. After completing



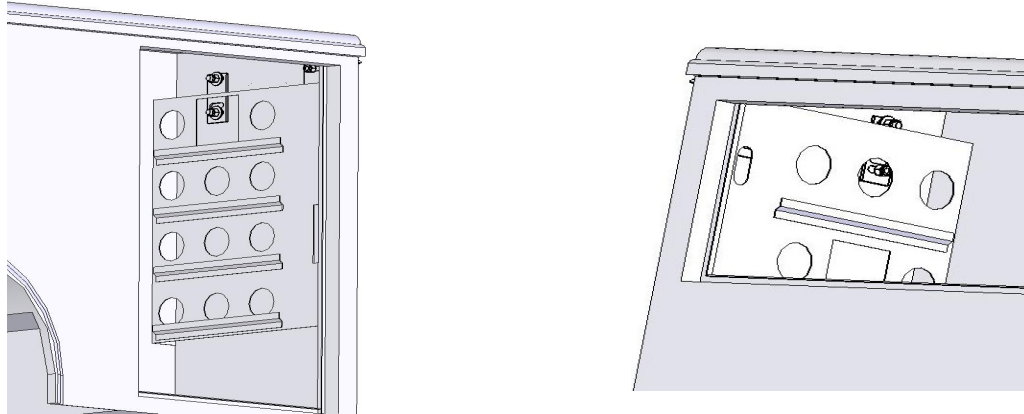
ADRIAN STEEL®

VAN AND PICKUP EQUIPMENT

Service Body Ladder Racks

inspection of internal

structure, remove and/or reposition components as required. Drill a 17/32" diameter through hole in all (8) previously marked bolt hole locations. Use a drill stop to prevent excess drill point travel when drilling holes, de-burr holes with a de-burring tool and round "rat tail" file.






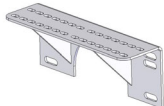

Please note that the above views shows the flat retaining brackets in place after rear mounting bracket fasteners have been installed and tightened to the final torque specifications. Note that the internal structure restricts direct access the flat reinforcing plates and attachment fasteners. This portion of the installation is detailed in the next section.

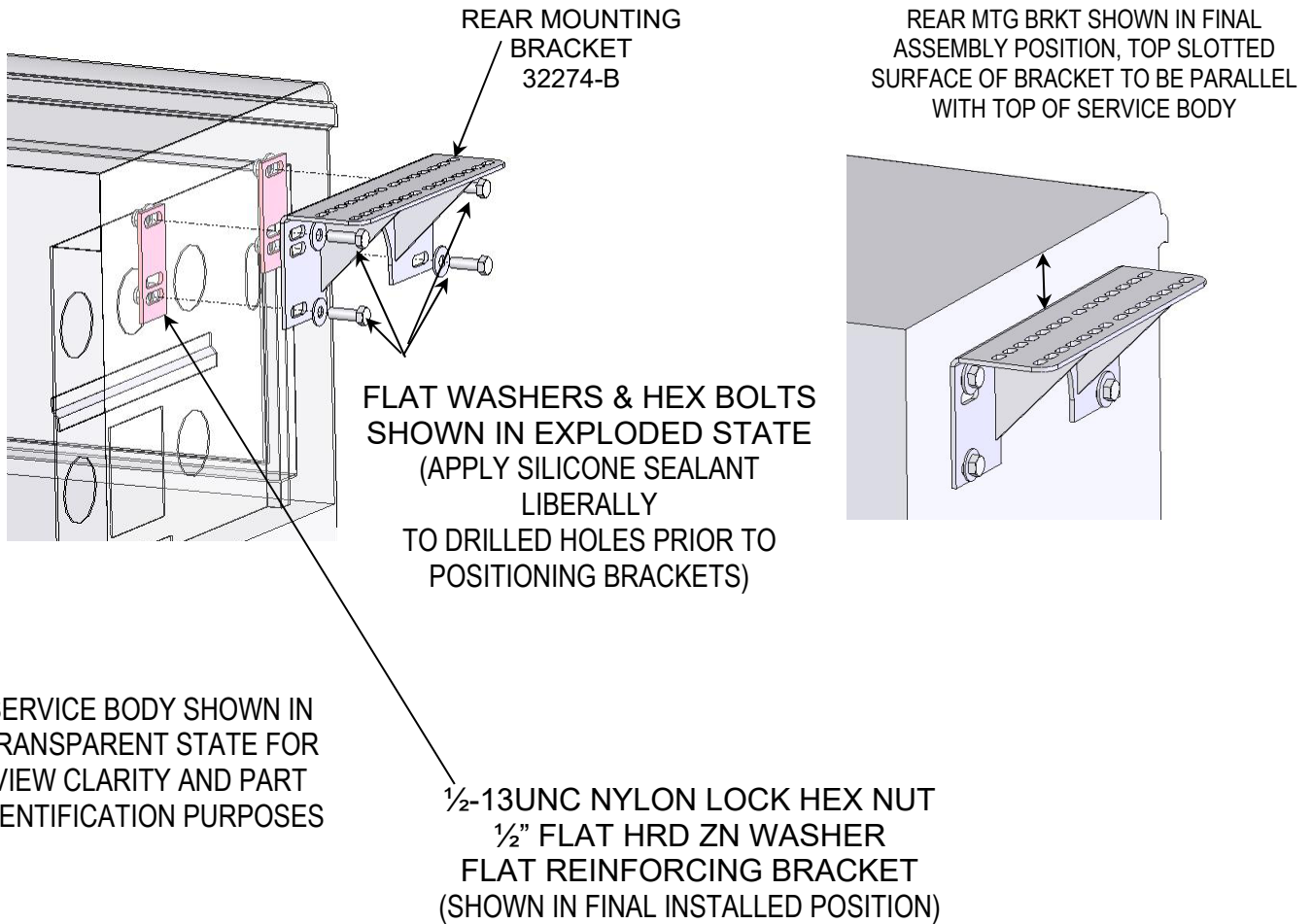
STEP 12 (REAR MTG BRKT INSTALL, Continued)

Installation of the REAR MOUNTING BRACKET WELDMENT to the service body rear wall panel starts by pre installing the 1/2" FLAT WASHERS on the 1/2-13UNC X 1.50" HEX HD BOLTS. Next apply a liberal amount of SILICONE SEALANT under the flat washer fully around the bolt thread body. Position the rear mounting bracket on the service body, aligning the drilled holes with the slots on the mounting bracket. Insert the bolt/flat washer into one slot fully seating the flat washer against the bracket. The sealant will seal the through hole preventing water entering the interior area of the service body. Next position the internal FLAT REINFORCING BRACKET over the inserted hex bolt, install flat washer, followed by nylon locking hex nut. Repeat process until remaining (3) bolts are in place. Access during this portion of the install is limited making the installation process difficult and slow. Please have patience and take your time. Once all (4) bolts/washers/nylon lock nuts have been installed, tighten the bolts to 45 ft-lbs torque. Make sure the top surface of the mounting bracket is parallel with the top surface of the service body, adjust bracket as required. Repeat mounting/installations steps for the opposite side hardware.



Service Body Ladder Racks

 <p>BOLT, HEX HEAD, 1/2-13UNC X 1.50", G8 FAS0636</p>	 <p>WASHER, FLAT, 1/2" I.D. HRD ZN FAS0139</p>	 <p>NUT, NYLON LOCK, 1/2-13UNC FAS0299 40 ft-lbs TORQUE</p>	 <p>REAR MOUNTING BRACKET WELDMENT 32274-B (BLK)</p>	 <p>FLAT REINFORCING BRACKET 32285-B (BLK)</p>
---	--	---	---	--





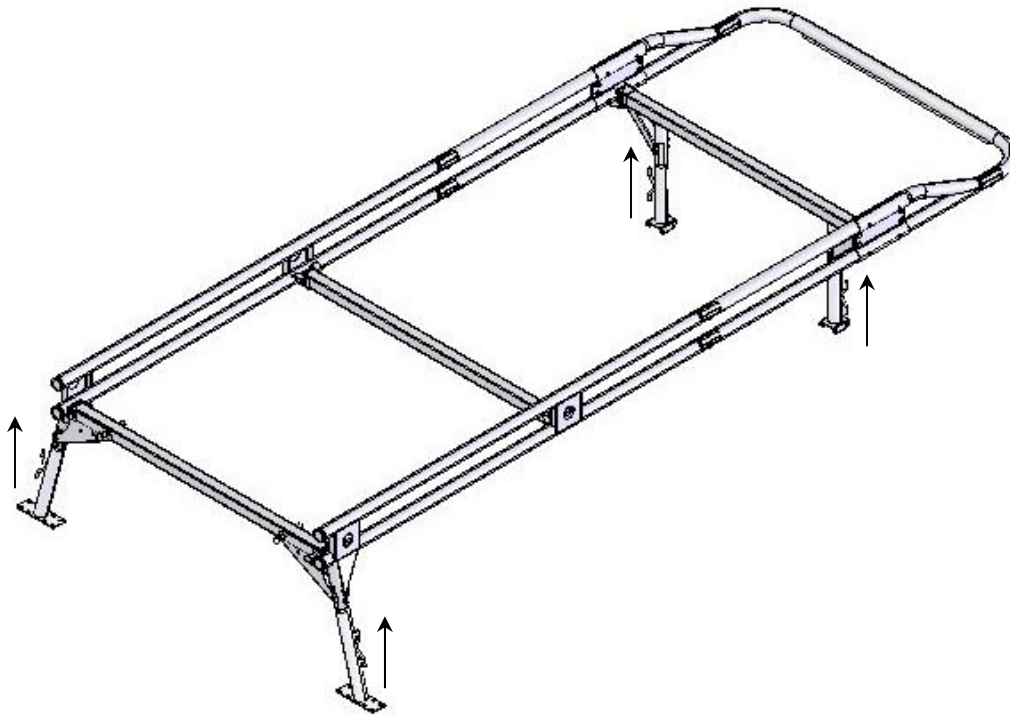
STEP 13

LADDER RACK TO SERVICE BODY INSTALL

Now it is time to set your ladder rack onto the truck service body.

Caution:

TO PREVENT DAMAGE AND INJURY BE SURE THE TRUCK IS PARKED ON A FLAT LEVEL SURFACE AND YOU HAVE AT LEAST (4) PEOPLE TO LIFT THE RACK AND SET IT ONTO THE SERVICE BODY !










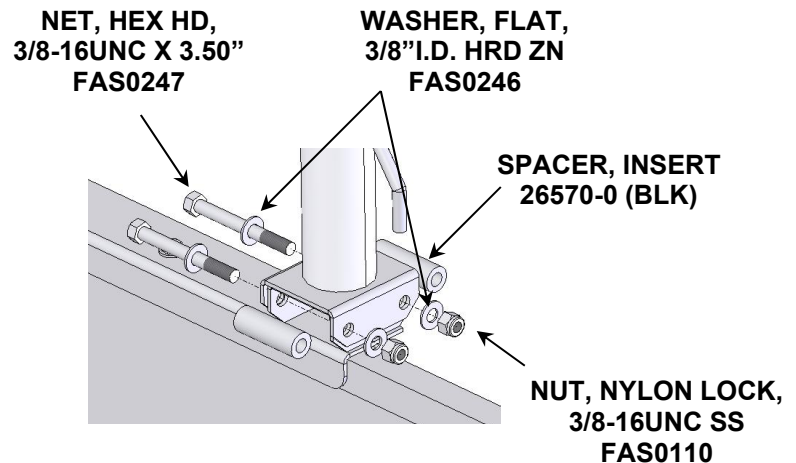
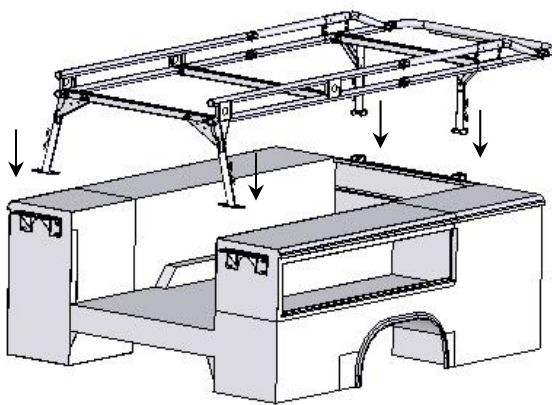
Service Body Ladder Racks

STEP 14 (LDRK TO SERVICE BODY INSTALL, Continued)

Carefully set the rack onto the truck service body fitting the FRONT LEG WELDMENT brackets into the mating FRONT BULKHEAD RAIL WELDMENT brackets and centering the REAR LEG WELDMENT on the REAR MOUNTING BRACKET WELDMENTS. Secure the ladder rack to the FRONT BULKHEAD RAIL with the fasteners listed below. After all (4) bolts/flat washers, spacers, nylock nuts have been installed tighten to 35 ft-lbs torque.

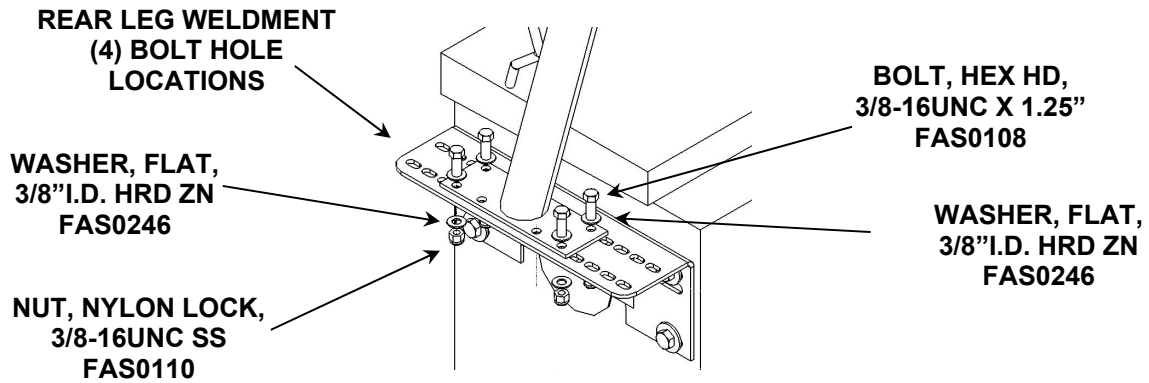
Secure the REAR LEG WELDMENTS to the REAR MTG BRACKET by selecting (4) through holes in the leg weldment plate that align with open slots in the REAR MTG BRACKET (see bottom left view). After selecting the (4) holes secure the REAR LEG WELDMENT to the REAR MTG BRACKET by installing the fasteners listed below, tighten to 35 ft-lbs torque. The (4) holes shown below may be different than those that align on your installation, depending on service body make and style, position of bracket, etc.

 BOLT, HEX HEAD, 3/8-16UNC X 3.50" FAS0247	 BOLT, HEX HEAD, 3/8-16UNC X 1.25" FAS0108	 WASHER, FLAT, 3.8" I.D. HRD ZN FAS0246	 NUT, NYLON LOCK, 3/8-16UNC, SS FAS0110 35 ft-lbs TORQUE	 INSERT SPACER 26570-0 (BLK)
--	--	---	--	--



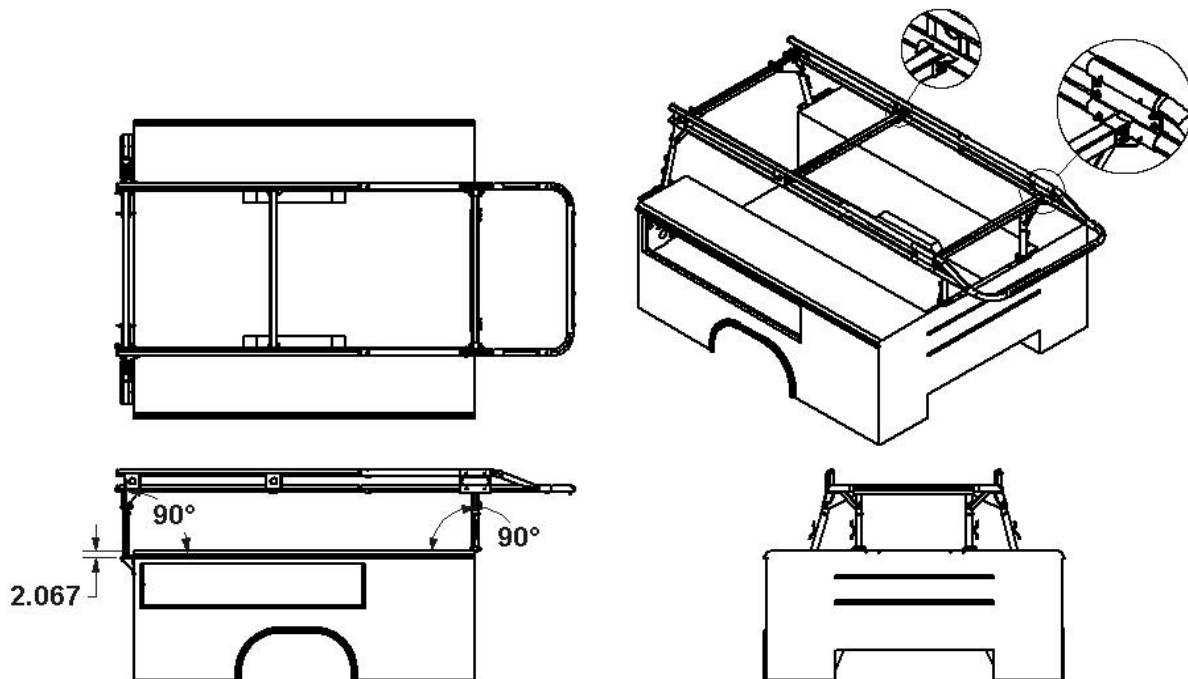


Service Body Ladder Racks



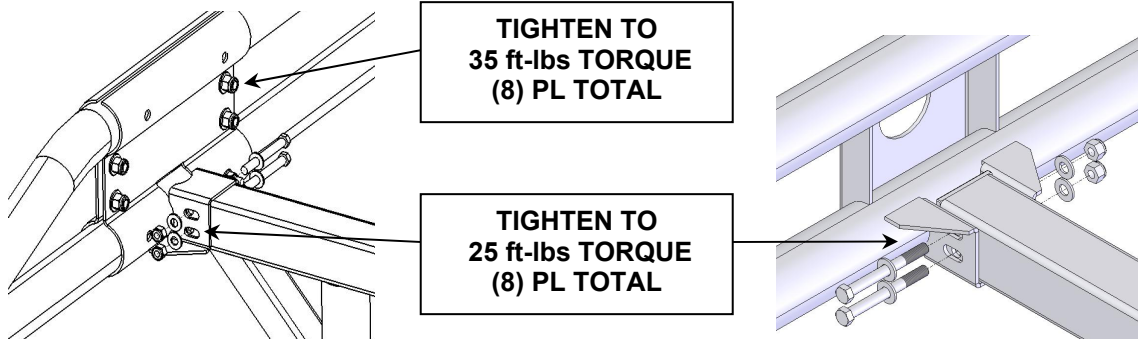
STEP 15 (LADDER RACK FINAL POSITION INSTALLATION)

At this time your ladder rack should appear similar to that as shown below. Final alignment or squaring up of the ladder rack with respect to the service body must be completed at this time. Slide the front truss forward or back inside the clamshell until front legs are vertical. The front and rear vertical support legs must be perpendicular to the service body top, see left view below.





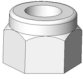


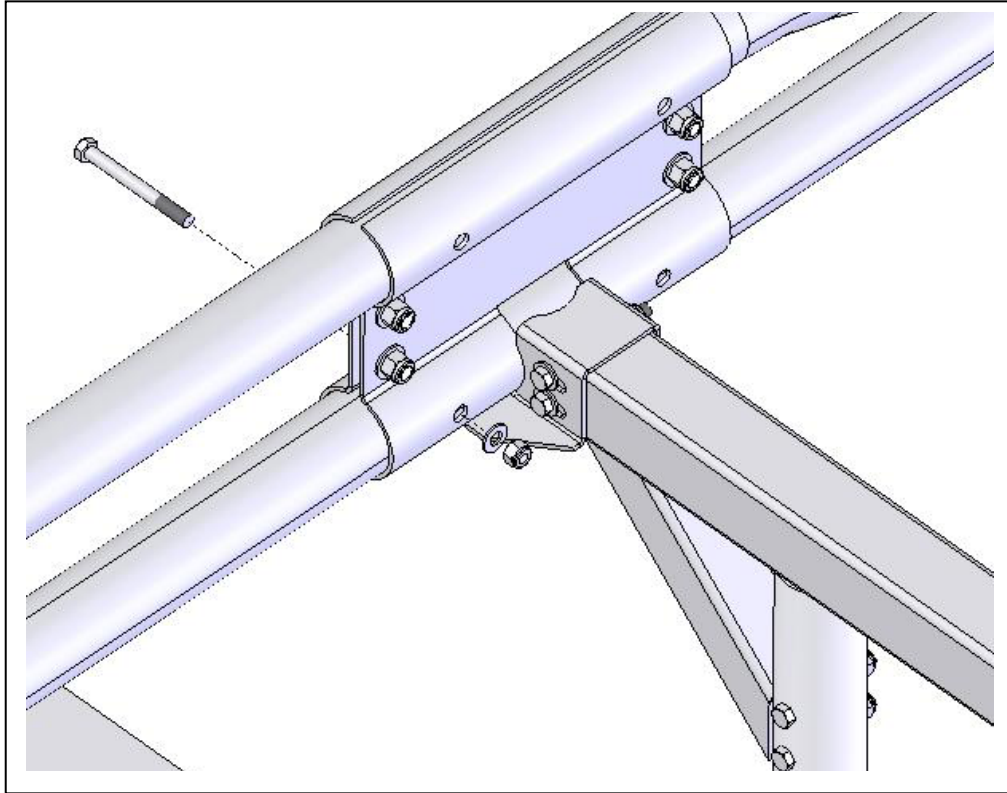
The bolts installed in both STEP 03 and STEP 06 need to be tightened to their final torque specifications as shown in figures below.



STEP 16 (OUTER-INNER CLAMP-LOCK BOLT INSTALLATION)

After completing STEP 15 above to lock the OUTER/INNER CLAMP WELDMENT subassemblies in place, a 11/32" diameter through hole must be drilled in the TRUSS RAIL assemblies. Use the lower INNER WELDMENT bolt hole as a drill guide bushing. Repeat for the OUTER CLAMP WELDMENT subassembly. Apply SILICONE SEALANT to drilled holes prior to installing fasteners listed below. Tighten fasteners to 25 ft-lbs torque. Repeat for the opposite side. This will lock the front vertical support legs in place and prevent any ladder rack shifting when under load and stopping in an emergency situation.

 BOLT, HEX HEAD, 5/16-18UNC X 3.00" FAS0244	 WASHER, FLAT, 5/16" I.D. HRD ZN FAS0245	 NUT, NYLON LOCK, 5/16-18UNC FAS0248 (25 ft-lbs TORQUE)
--	---	---



**THIS COMPLETE INSTRUCTION MANUAL MUST BE
PRESENTED TO THE END USER WHEN DELIVERING THE
INSTALLED PRODUCT!**



**It is advised that “All Fasteners” used in the assembly and installation of this
Ladder Rack System be “checked for tightness” at the following intervals:**

**At (2) Weeks of Operation
&
At (6) Weeks of Operation**

**Assembly “fastener could loosen” due to vibration through your vehicle while on
the road or in and out of construction sites.**



ADRIAN STEEL®

VAN AND PICKUP EQUIPMENT

This preventative

maintenance step must be completed to ensure your Ladder Rack System give you long service life.





















Service Body Ladder Racks

Failure to complete this required safety inspection at prescribed interval "could" void your product warranty.



THIS COMPLETE INSTRUCTION MANUAL MUST BE PRESENTED TO THE END USER WHEN DELIVERING THE INSTALLED PRODUCT!







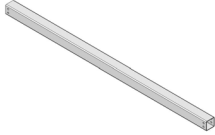
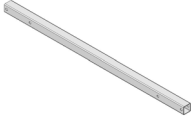





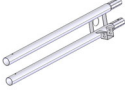
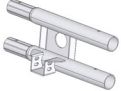
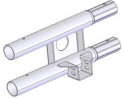



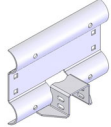
 Screw, TPH, #14-10x3/4" FAS0049	 Bolt, Carriage Hd, 3/8-16UNCx1.00" FAS0102	 Screw, Hex Head, 3/8-16UNCx1.25" FAS0108	 Washer, External, Lock, 1/4" ID FAS0123	 Washer, Flat, 1/2" ID, HRD ZN FAS0139
 Screw, Hex Head, 5/16-18UNCx1.5" FAS0242	 Screw, Hex Head, 5/16-18UNCx2.5" FAS0243	 Screw, Hex Head, 5/16-18UNCx3.0" FAS0244	 Washer, Flat, 5/16" ID HRD ZN FAS0245	 Washer, Flat, 3/8" ID HRD ZN FAS0246
 Screw, Hex Head, 3/8-16UNCx3.5" FAS0247	 Nut, Nylon Lock, 5/16-18UNC, SS FAS0248	 Nut, Nylon Lock, 3/8-16UNC, SS FAS0110	 Nut, Nylon Lock, 1/2-13UNC, SS FAS0299	 Screw, Hex Head, 1/2-13UNCx1.5" FAS0636
 RING PIN ASSEMBLY 26611-0	 RING PIN CIRCLE COTTER 26612-0	 SILICONE SEALANT (1-OZ TUBE) 26618-0	 PLUG, RND, 2" DIA TUBING 26609-0	 PLUG, SQUARE, 2"x2" TUBING 26610-0

**ADRIAN STEEL®**

VAN AND PICKUP EQUIPMENT

Service Body Ladder Racks

 <p>INSERT SPACER 26570-0</p>	 <p>WASHER, 3/8" ID, ECCENTRIC 21166-0</p>	 <p>WASHER, FLAT, 5/16" I.D. ZN 0.875" OD FAS0112</p>		
---	--	---	--	--





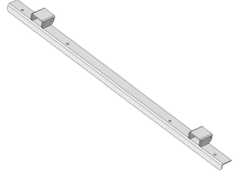
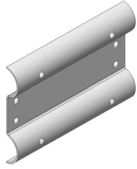

 <p>FRONT CROSSTUBE 26572-0 (BLK)</p>	 <p>MIDDLE CROSSBAR ASSY 26574-0 (BLK)</p>	 <p>REAR CROSSBAR 26578-0 (BLK)</p>	 <p>(STREET SIDE) LEFT REAR TRUSS ASSY 8' BED 26595-0 (BLK)</p>	 <p>(CURB SIDE) RIGHT REAR TRUSS ASSY 8' BED 26596-0 (BLK)</p>
 <p>REAR CROSSBAR GUSSET ASSY 26602-0 (BLK)</p>	 <p>LOAD RUNNER SPOILER 27231-0 (BLK)</p>	 <p>(CURB SIDE) TRANS TRUSS ASSY, 3' EXTN. 32264-B (BLK)</p>	 <p>(STREET SIDE) TRANS TRUSS ASSY, 3' EXTN. 32265-B (BLK)</p>	 <p>(CURB SIDE) TRANS TRUSS ASSY, 1' EXTN. 32266-B (BLK)</p>
 <p>(STREET SIDE) TRANS TRUSS ASSY, 1' EXTN. 32267-B (BLK)</p>	 <p>(STREET SIDE) FRONT LEFT TRUSS, EXT CAB 32268-B (BLK)</p>	 <p>(CURB/STREET) FRONT LEFT TRUSS, REG CAB 32269-B (BLK)</p>	 <p>(CURB SIDE) FRONT RIGHT TRUSS EXT CAB 32270-B (BLK)</p>	 <p>INNER CLAMP WELDMENT 32271-B (BLK)</p>



ADRIAN STEEL®

VAN AND PICKUP EQUIPMENT

Service Body Ladder Racks

 <p>FRONT CROSSBAR WELDMENT 32272-B (BLK)</p>	 <p>REAR LEG ASSEMBLY 32273-B (BLK)</p>	 <p>REAR MT BRACKET WELDMENT 32274-B (BLK)</p>	 <p>FRONT LEG WELDMENT 32275-B (BLK)</p>	 <p>BULKHEAD RAIL WELDMENT 32276-B (BLK)</p>
 <p>OUTER CLAMP WELDMENT 32280-B (BLK)</p>	 <p>FLAT REINFORCING BRACKET 32285-B (BLK)</p>			