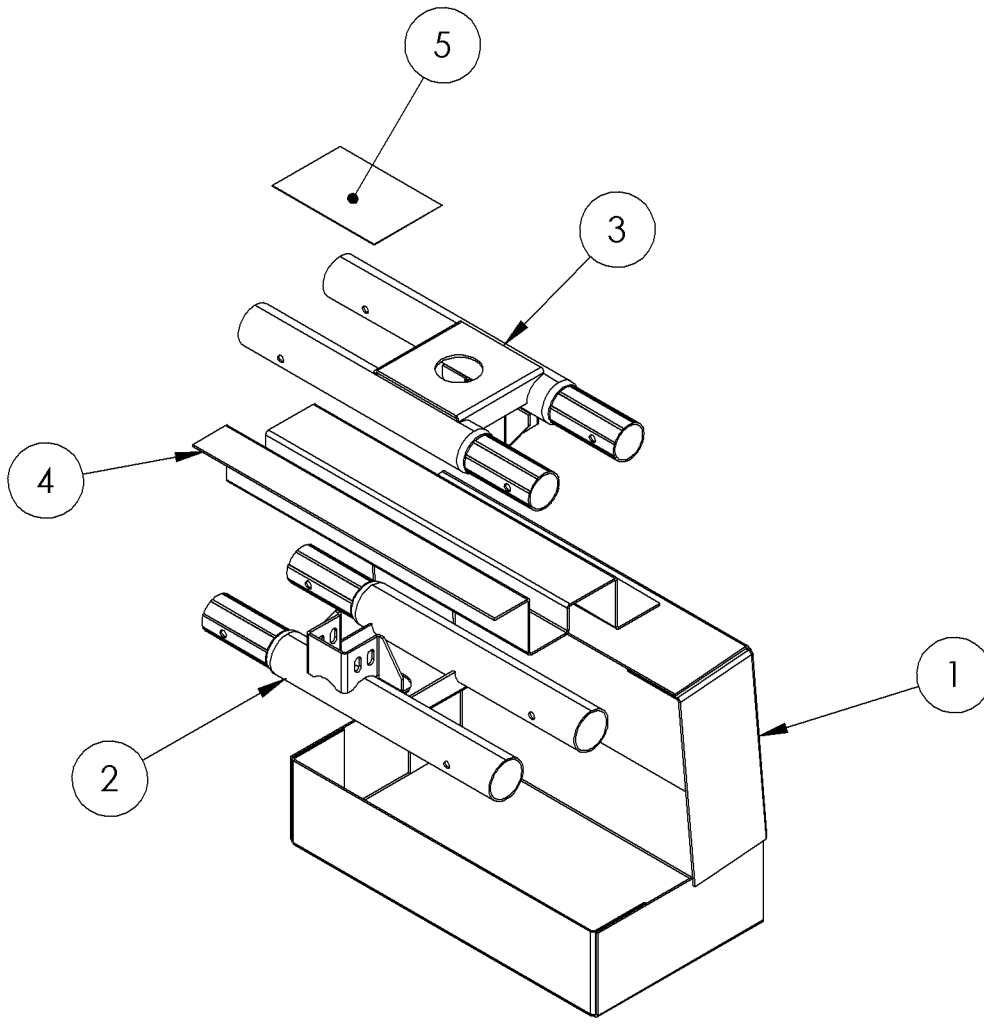


ITEM NO.	PART NUMBER	DESCRIPTION	QYT (SBE9)
1	CRT32262-0 OPEN	CARTON, PRE-GLUED, 32262-0	1
2	32266-B	Transition Truss Assy, BLK 1'CRBSD	1
3	32267-B	Transition Truss Assy, BLK 1'STRSD	1
4	CRT32262-1 OPEN	CARTON, INSERT #1, 32262-1	1
5	BAG32262-0	BAG, FAS, LDRK, 9'SB, EXTN RAILS	1
6	32436-0	INSTR, BOXING SBLDRK, SBE9	REF

REVISION LEVEL: **C**

Part Number: **SBE9**



for reference only!

SHEET 1 OF 1

<p>THIS PRODUCT IS SUBJECT TO CHANGE. ADRIAN STEEL COMPANY RESERVES THE RIGHT TO CHANGE THE PRODUCT OF IT'S DESIGN WITHOUT PRIOR NOTICE.</p>	Shipping Wt. (Lbs.):	<p>ADRIAN STEEL VAN AND PICKUP EQUIPMENT 906 James St. Adrian, MI 49221 517.265.6194</p>
	Coating/Finish: None	
<p>THIS DRAWING IS THE PROPERTY OF ADRIAN STEEL COMPANY AND IS NOT TO BE USED IN ANY MANNER DETRIMENTAL TO THE INTERESTS OF ADRIAN STEEL COMPANY.</p>	<p>Do Not Scale This Drawing!</p>	
<p>Part Description: EXTENSION RAIL KIT, 9'SB, BLK</p>	<p>Part Number: SBE9</p>	<p>REVISION LEVEL: C</p>