

## Single Ratchet Upright Kit, 9"



**PRODUCT WEIGHT**  
**3.1 LBS**

**WIDTH x DEPTH x HEIGHT**  
**3.8" x 2.3" x 9"**

**CAPACITY**  
**N/A**

**COLOR**  
**BLACK**

**CATALOG NUMBER**  
**RSK1B**

### **PRODUCT FEATURES**

Galvanized steel 9" uprights fully plastisol coated with integrated ratchet strap for PROFILE™ HD Utility and combo ladder racks. Works on all vehicle platforms. Works with all conduit kits and rear rollers.

Utility style ladder racks are not recommended for medium and high roof vehicles!

Please refer to OEM specific mounting kit and rail kit for additional information on compatible accessories.

**SEE PAGE 2 FOR APPLICATION NOTES AND ACCESSORIES, OTHER PRODUCTS THAT WORK WITH THIS UNIT.**



**CATALOG NUMBER      RSK1B**

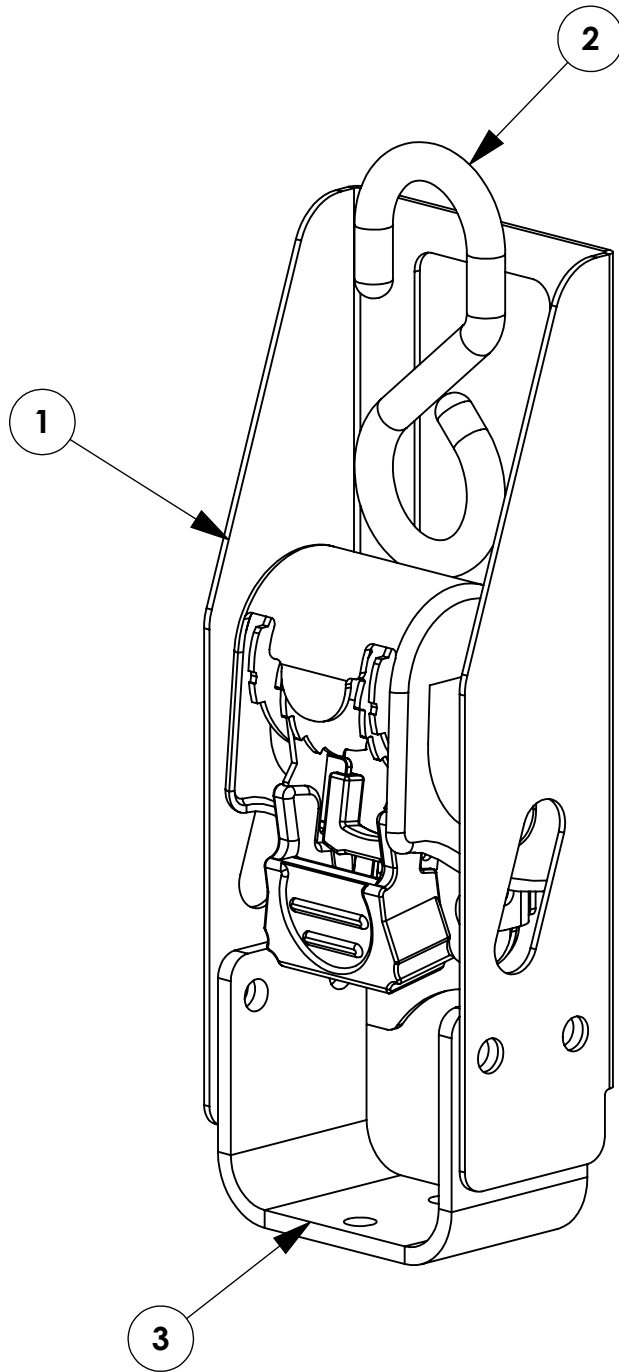
***PRODUCT APPLICATION***

**This product is for PROFILE™ HD Utility and combo ladder racks. Works on all vehicle platforms. Utility style ladder racks are not recommended for medium or high roof vehicles!**

***ACCESSORIES THAT WILL WORK WITH THIS PRODUCT***

<b><i>CATALOG NUMBER</i></b>	<b><i>DESCRIPTION</i></b>
<b>2BARW</b>	<b>2-Crossbar Kit, 68”, White, Full Size Van</b>
<b>2BARCW</b>	<b>2-Crossbar Kit, 58”, White, Minivan</b>
<b>1BARW</b>	<b>Single Crossbar Kit, 68”, White, Full Size Van</b>
<b>1BARCW</b>	<b>Single Crossbar Kit, 58”, White, Minivan</b>

INSTR. NUMBER	PG:	REV:	ITEM NO.	PART NUMBER	DESCRIPTION	
: <b>64634</b>	<b>1</b>	<b>D</b>	1	64198-B	UTILITY, UPRIGHT, RATCHET, B	1
			2	60503	RATCHET STRAP RETRACT 1X72	1
			3	65120-W	UTILITY, UPR MOUNT BRKT, W	1
PART NUMBER : <b>RSK1B</b>						
PART DESC. : UTILITY, RATCHET KIT, 1B						



**GET TO KNOW THE VEHICLE** - AT THE BEGINNING OF ANY INSTALLATION, CHECK THE LOCATION OF THE FUEL TANK, FUEL LINES, BRAKE LINES, HIGH VOLTAGE BATTERIES AND WIRING HARNESSSES TO AVOID INJURY OR PROPERTY DAMAGE FROM TOOL CONTACT.

**SEAL ALL EXTERIOR HOLES** - ALL INSTALLATION HOLES SHOULD BE SEALED WITH BUTYL TAPE OR SILICON TO PREVENT WATER AND EXHAUST GASES FROM ENTERING THE VEHICLE.

**CONTROL DRILL DEPTH** - TO AVOID DAMAGE TO THE VEHICLE, USE A DRILL STOP OR CLEARED STEP BIT WHEN DRILLING INSTALLATION HOLES.

**ALWAYS ADD PRIMER** - WHEN ADDING INSTALLATION HOLES BE SURE TO USE A SELF-ETCHING PRIMER TO PREVENT CORROSION, FASTENER FAILURE AND INJURY.

**MOUNTING POINTS MUST HAVE METAL-TO-METAL CONTACT** - USE PROVIDED MOUNTING SPACERS TO ACCOMMODATE FOR VEHICLE FEATURES, CARPET OR SUBFLOORS.

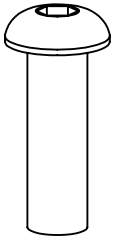
**PROVIDE CLEARANCE FOR SPACERS** - IF THE INSTALLATION VEHICLE CONTAINS A CARPET OR SUBFLOOR, USE A 1-3/16" DIAMETER CARPET CUTTER (P/N: 31183-0) AT ALL MOUNTING LOCATIONS TO OPEN UP ROOM FOR SPACERS.

**CHECK SPACER ORIENTATION** - BE SURE THAT THE INDENT IN THE SPACER COVERS THE PLUSNUT HEAD; THIS ENSURES THE MOST METAL-TO-METAL CONTACT AND REDUCES VIBRATION.

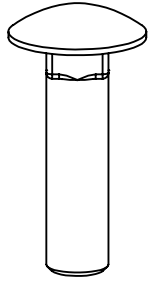
**PLUSNUT INSTALLATION** - A PLUSNUT GUN IS RECOMMENDED FOR PLUSNUT INSTALLATION FOR ITS PRODUCTION SPEED. HOWEVER, A PLUSNUT SETTING TOOL CAN ALSO BE USED (P/N: 22200-0).

**THRU-BOLT CLEARANCE** - WHEN USING A THRU-BOLT AT ANY MOUNTING LOCATION, BE SURE THAT YOUR HOLE HAS 1/16" CLEARANCE.

***FASTENERS USED***



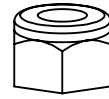
**FAS0813**  
5/16-18x1.0 SS  
BHCS SCREW  
QTY: 8



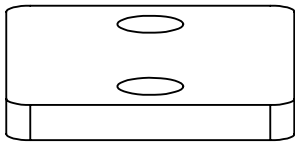
**FAS0812**  
5/16-18X1.25 SS  
CRG BOLT  
QTY: 2



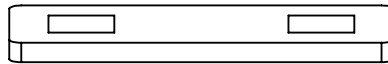
**FAS0552**  
5/16 SS  
FLAT WASHER  
QTY: 14



**FAS0248**  
5/16-18 SS  
NLK HEX NUT  
QTY: 8



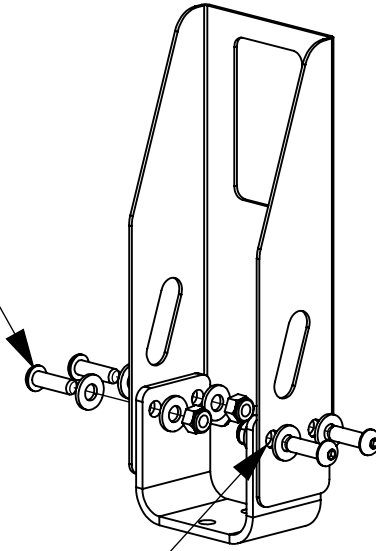
**63933**  
UTILITY,  
SPACER  
QTY: 1



**63934**  
UTILITY,  
BOLT PLATE  
QTY: 1

**BEGIN ASSEMBLY**  
**STEP 1 - ASSEMBLE BRACKET**

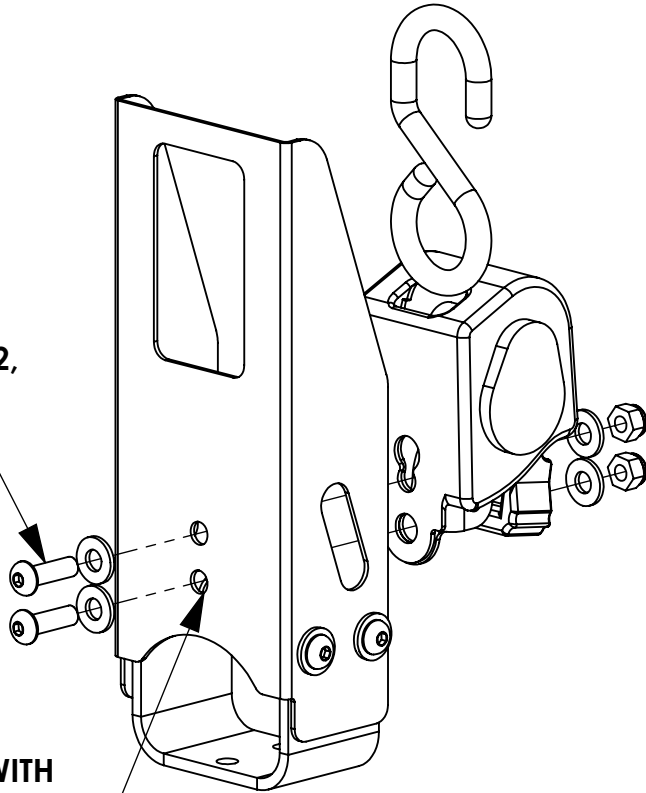
FAS0813, (2) FAS0552,  
FAS0248  
(4 PLACES)  
1/2 SOCKET  
3/16 HEX DRIVE



DRILL HOLES IN UPRIGHT WITH  
11/32" DRILL BIT BEFORE  
ASSEMBLING! (4 PLACES)

**BEGIN INSTALLATION**  
**STEP 2 - INSTALL RATCHET**

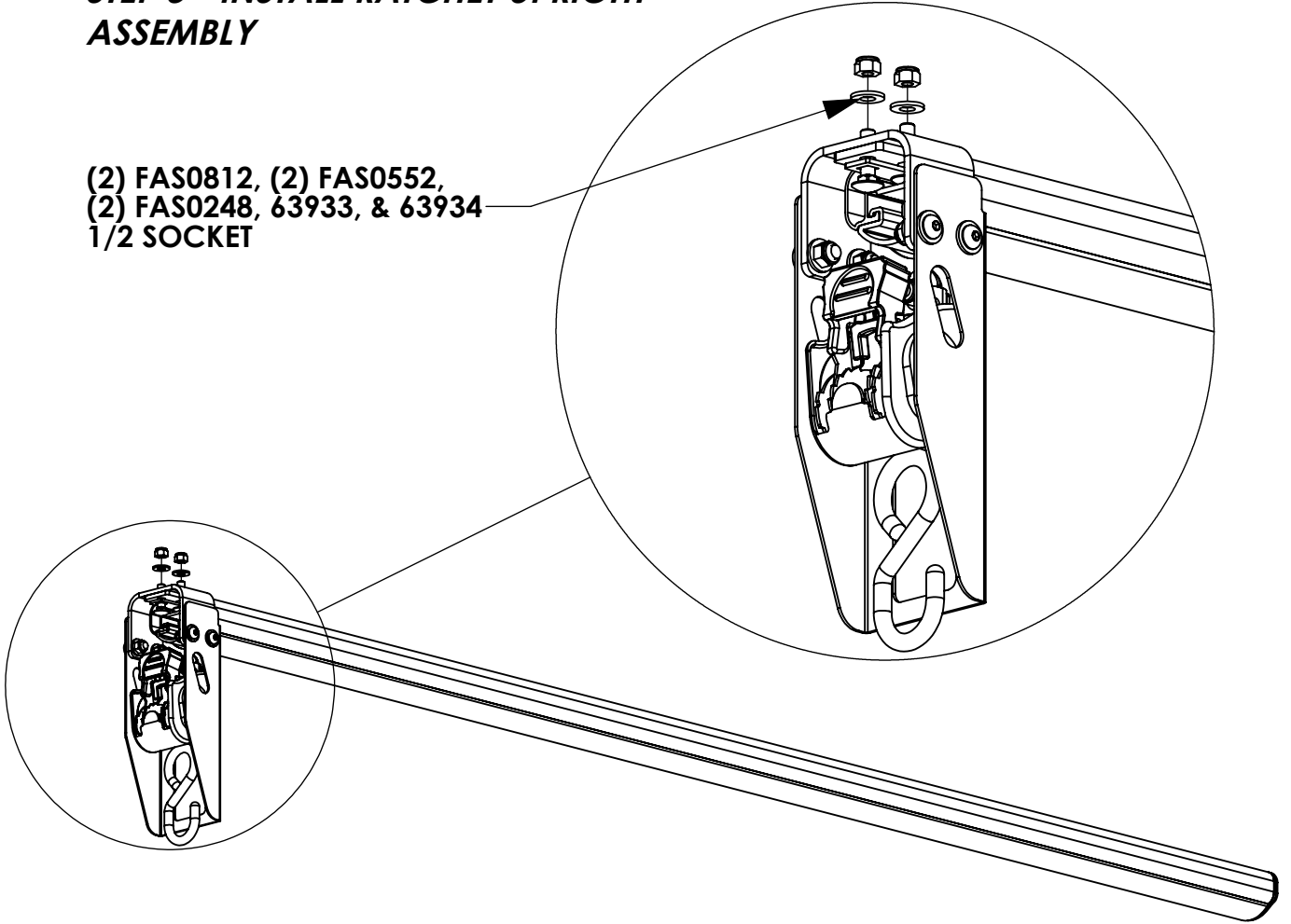
FAS0813, (2) FAS0552,  
FAS0248  
(2 PLACES)  
1/2 SOCKET  
3/16 HEX DRIVE



DRILL HOLES IN UPRIGHT WITH  
11/32" DRILL BIT BEFORE  
ASSEMBLING! (2 PLACES)

**BEGIN INSTALLATION**  
**STEP 3 - INSTALL RATCHET UPRIGHT**  
**ASSEMBLY**

(2) FAS0812, (2) FAS0552,  
(2) FAS0248, 63933, & 63934  
1/2 SOCKET



**NOTE: CROSSBOW AND RATCHET UPRIGHT ASSEMBLY**  
**ARE SHOWN INVERTED FOR VISUAL PURPOSES**

**CONTINUE INSTALLATION WITH THE MOUNTING KIT INSTRUCTIONS**