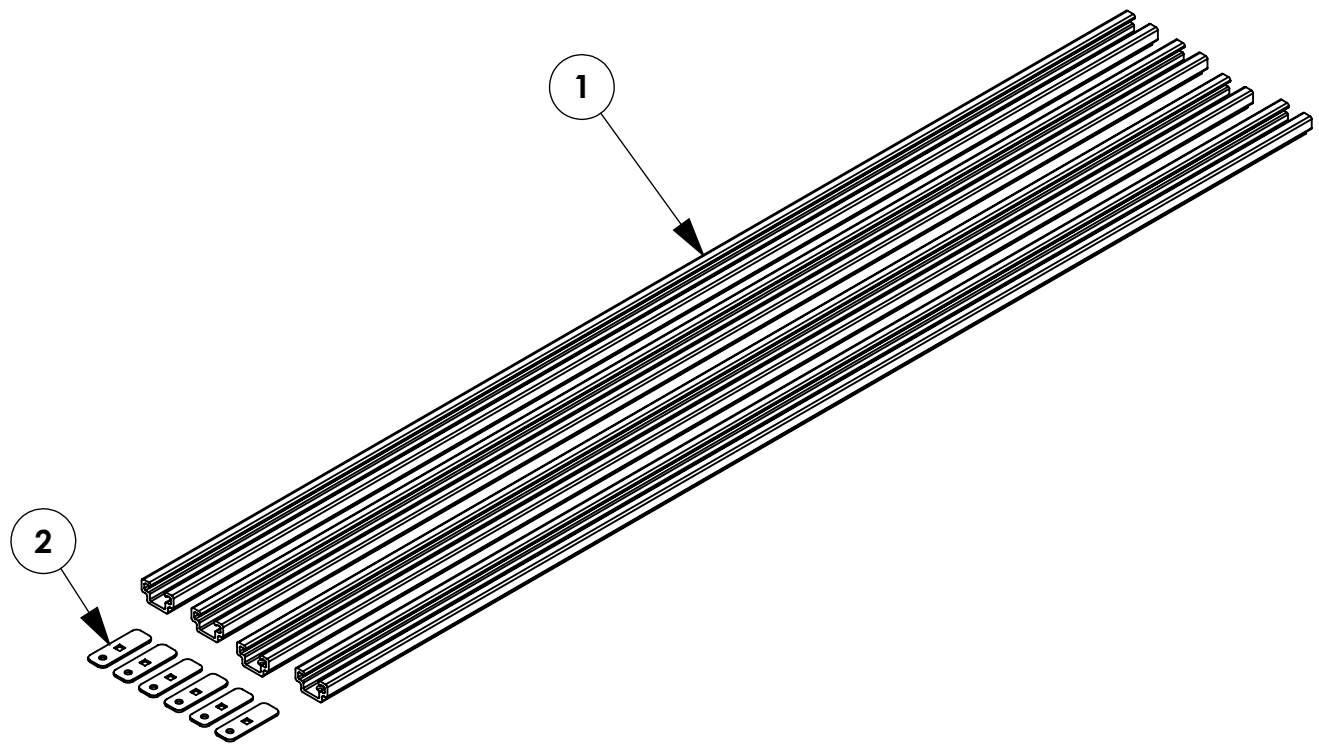


<i>INSTR. NUMBER</i> : 67269	<i>PG:</i> 1	<i>REV:</i> C	<i>ITEM NO.</i>	<i>PART NUMBER</i>	<i>DESCRIPTION</i>	<i>QTY.</i>
			1	63348	ROOF RAIL SPRINTER FSV	4
<i>PART NUMBER</i> : RRKSP			2	63182	SP, ANCHOR BRACKET	6
<i>PART</i> • ROOF RAIL KIT, SPRINTER <i>DESC.</i> • FSV						



GET TO KNOW THE VEHICLE - AT THE BEGINNING OF ANY INSTALLATION, CHECK THE LOCATION OF THE FUEL TANK, FUEL LINES, BRAKE LINES, HIGH VOLTAGE BATTERIES AND WIRING HARNESSSES TO AVOID INJURY OR PROPERTY DAMAGE FROM TOOL CONTACT.

SEAL ALL EXTERIOR HOLES - ALL INSTALLATION HOLES SHOULD BE SEALED WITH BUTYL TAPE OR SILICON TO PREVENT WATER AND EXHAUST GASES FROM ENTERING THE VEHICLE.

CONTROL DRILL DEPTH - TO AVOID DAMAGE TO THE VEHICLE, USE A DRILL STOP OR CLEARED STEP BIT WHEN DRILLING INSTALLATION HOLES.

ALWAYS ADD PRIMER - WHEN ADDING INSTALLATION HOLES BE SURE TO USE A SELF-ETCHING PRIMER TO PREVENT CORROSION, FASTENER FAILURE AND INJURY.

MOUNTING POINTS MUST HAVE METAL-TO-METAL CONTACT - USE PROVIDED MOUNTING SPACERS TO ACCOMMODATE FOR VEHICLE FEATURES, CARPET OR SUBFLOORS.

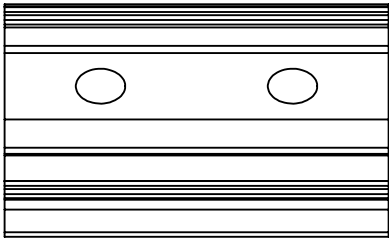
PROVIDE CLEARANCE FOR SPACERS - IF THE INSTALLATION VEHICLE CONTAINS A CARPET OR SUBFLOOR, USE A 1-3/16" DIAMETER CARPET CUTTER (P/N: 31183-0) AT ALL MOUNTING LOCATIONS TO OPEN UP ROOM FOR SPACERS.

CHECK SPACER ORIENTATION - BE SURE THAT THE INDENT IN THE SPACER COVERS THE PLUSNUT HEAD; THIS ENSURES THE MOST METAL-TO-METAL CONTACT AND REDUCES VIBRATION.

PLUSNUT INSTALLATION - A PLUSNUT GUN IS RECOMMENDED FOR PLUSNUT INSTALLATION FOR ITS PRODUCTION SPEED. HOWEVER, A PLUSNUT SETTING TOOL CAN ALSO BE USED (P/N: 22200-0).

THRU-BOLT CLEARANCE - WHEN USING A THRU-BOLT AT ANY MOUNTING LOCATION, BE SURE THAT YOUR HOLE HAS 1/16" CLEARANCE.

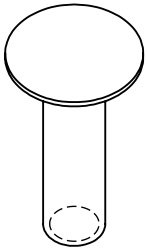
FASTENERS USED



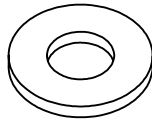
63491
RAIL CONNECTOR, 2"
QTY: 2



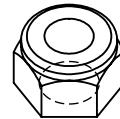
FAS0497
SCREW, SET SS
5/16-18X.75
QTY: 4



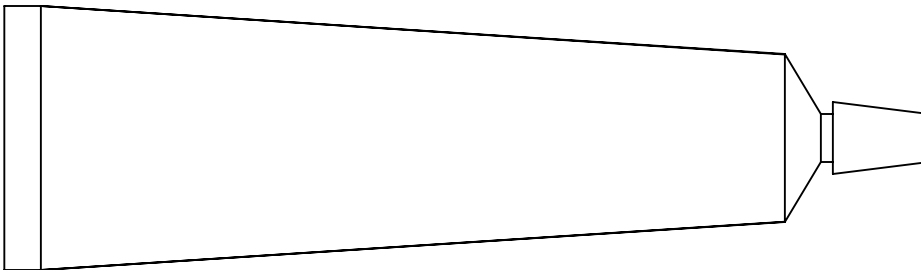
FAS0812
BOLT, CRG SS
5/16-18X1.25
QTY: 6



FAS0552
WASHER, FLAT
5/16 SS
QTY: 6



FAS0248
NUT, HEX NLK
5/16-18 SS
QTY: 6



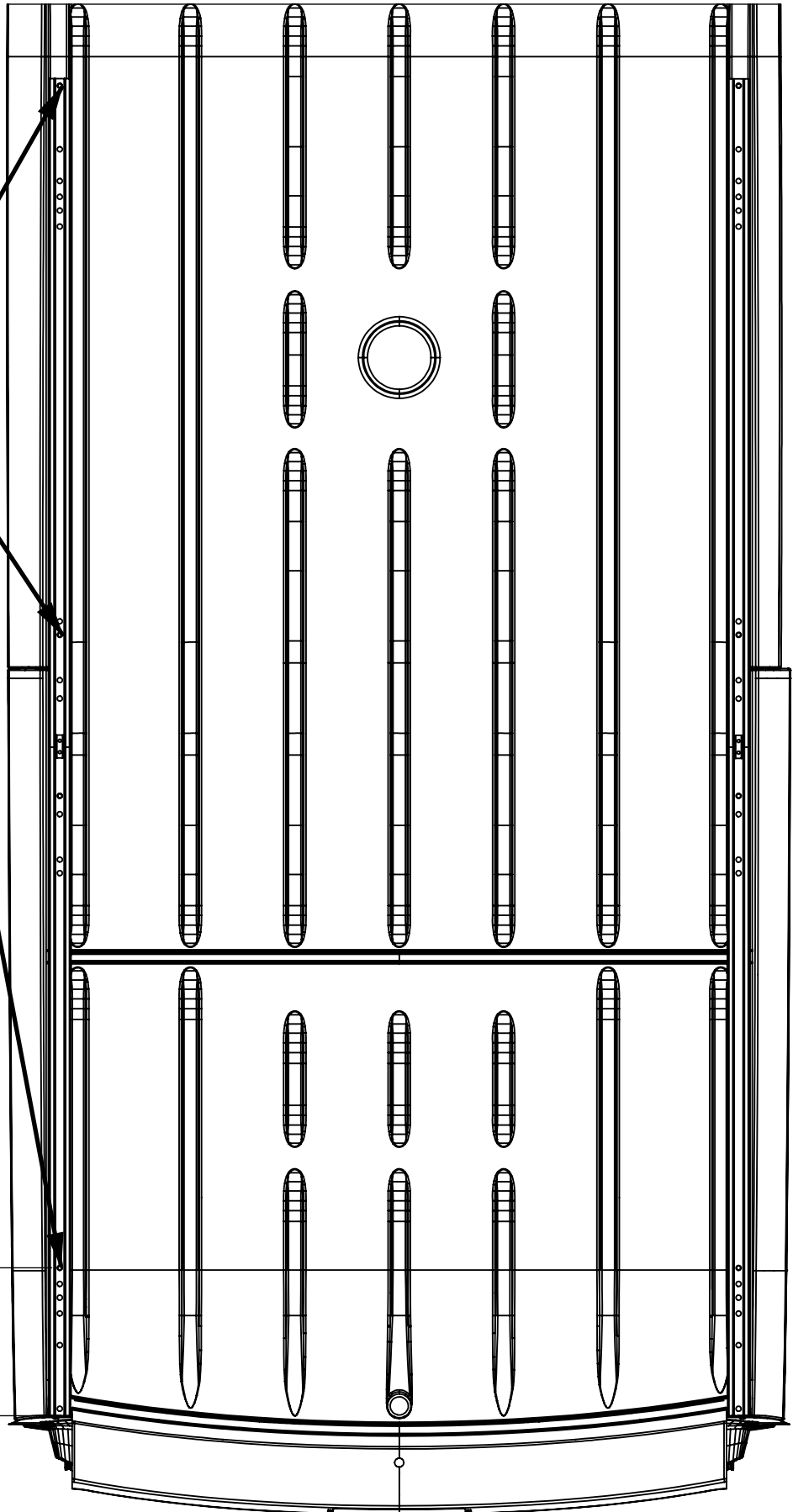
26618-0
SILICONE
1OZ TUBE
QTY: 1

ROOF RAIL INSTALL LOCATION - 144 WHEEL BASE LOW & HIGH ROOF

**MOUNTING
LOCATIONS
BOTH SIDES:
6TH, 13TH, &
20TH HOLE**

12.918" SIXTH
HOLE FROM
END OF RAIL

REAR OF VAN

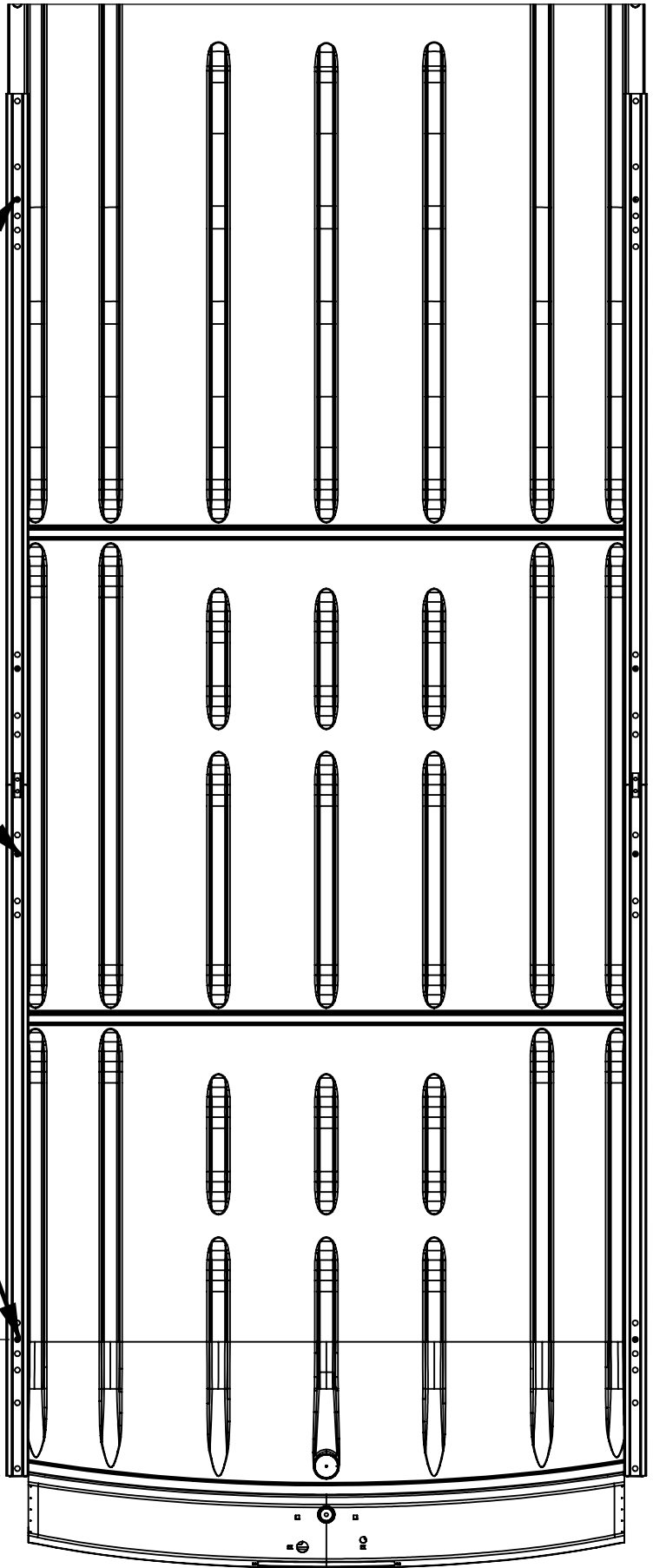


ROOF RAIL INSTALL LOCATION - 170 WHEEL BASE HIGH ROOF

**MOUNTING
LOCATIONS
BOTH SIDES:
5TH, 9TH, &
18TH HOLE**

11.528" FIFTH
HOLE FROM
END OF RAIL

REAR OF VAN

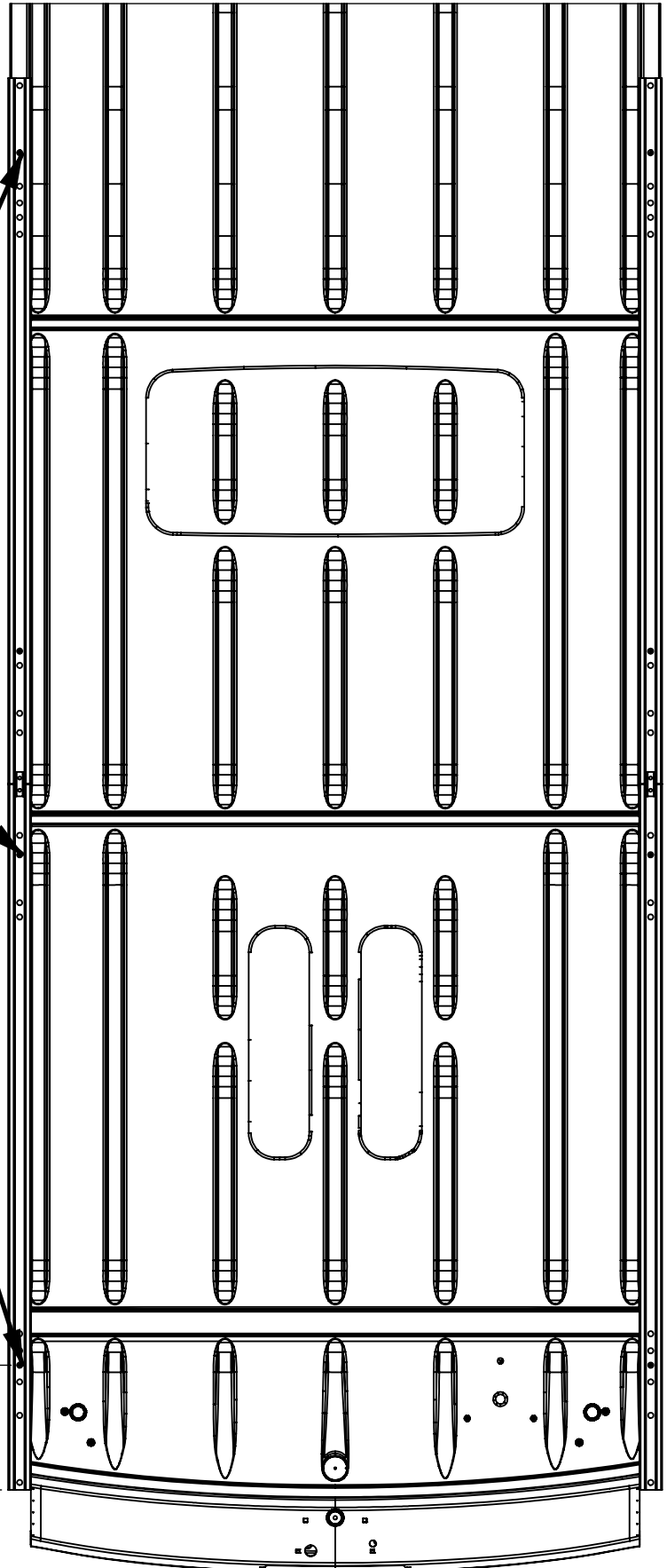


ROOF RAIL INSTALL LOCATION - 170 EXTENDED WHEEL BASE HIGH ROOF

**MOUNTING
LOCATIONS
BOTH SIDES:
4TH, 9TH, &
19TH HOLE**

10.34" FOURTH
HOLE FROM
END OF RAIL

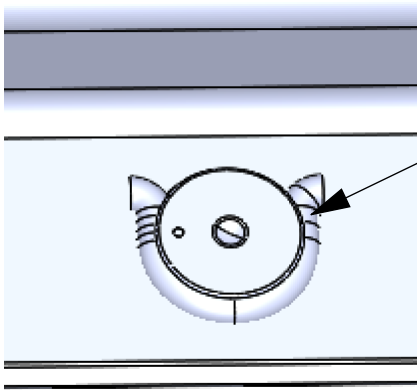
REAR OF VAN



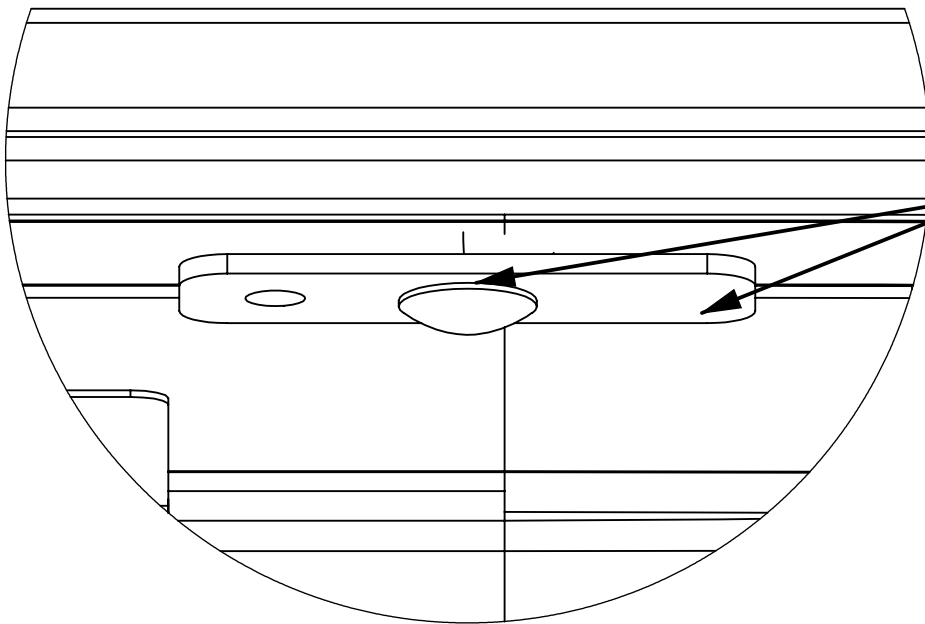
CONNECT ROOF RAILS

SLIDE RAILS TOGETHER, CENTER SLIDE BETWEEN TWO RAILS AND TIGHTEN DOWN SET SCREWS

INSTALL ROOF RAILS

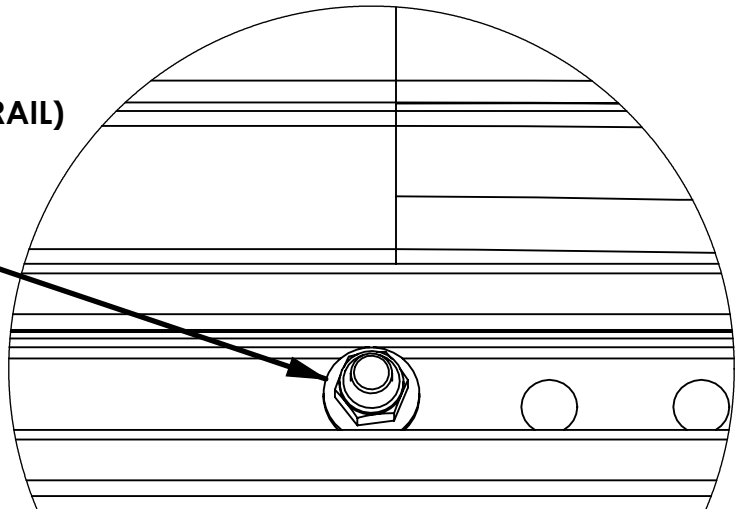


REMOVE PLASTIC PLUGS BASED ON WHEELBASE & RAIL INSTALLATION.
DO NOT REMOVE OTHER PLUGS!!!



INSIDE OF VAN
63182, FAS0812
(6 PLACES)

TOP OF ROOF (INSIDE ROOF RAIL)
FAS0552, FAS0248
(6 PLACES)
1/2" WRENCH



APPLY SILICONE TO FILL CAVITY