



Mounting Roof Rail Kit, Multiple Pickups



PRODUCT WEIGHT
4.2 LBS

HEIGHT OFF ROOF
SEE TABLE BELOW

CAPACITY
**REFER TO OEM'S
RECOMMENDED LOAD
RATING**
COLOR

RAW

CATALOG NUMBER

RRKSBTOP

PRODUCT FEATURES

Short bed pickups with topper aluminum mounting roof rail kit for the PROFILE™ HD Utility, Grip-Lock, ProLift, and combo ladder racks. Mounting kit works on ARE toppers. Must be mounted to the topper's welded in reinforcement plates.

Utility and Grip-Lock racks are not recommended for medium or high roof vehicles!

SEE PAGE 2 FOR APPLICATION NOTES AND ACCESSORIES, OTHER PRODUCTS THAT WORK WITH THIS UNIT.



CATALOG NUMBER RRKSBTOP

PRODUCT APPLICATION

This product is designed to be installed on pickups with ARE toppers. HD Utility and Grip-Lock racks are not recommended for medium or high roof vehicles!

ACCESSORIES THAT WILL WORK WITH THIS PRODUCT

CATALOG NUMBER	DESCRIPTION	CATALOG NUMBER	DESCRIPTION
2BARTOPB	2-Crossbar Kit, 48", Black, Multiple Pickups	ULSKAB	Single Ladder Stop Kit, Black
2BARTOPW	2-Crossbar Kit, 48", White, Multiple Pickups	4UPK4AB	4" Upright Kit, 4-Pack, Black
2BARCB	2-Crossbar Kit, 48", Black, Minivan	4UPK2AB	4" Upright Kit, 2-Pack, Black
2BARCW	2-Crossbar Kit, 48", White, Minivan	6UPK4AB	6" Upright Kit, 4-Pack, Black
1BARTOPB	Single Crossbar Kit, 48", Black, Multiple Pickups	6UPK2AB	6" Upright Kit, 2-Pack, Black
1BARTOPW	Single Crossbar Kit, 48", White, Multiple Pickups	9UPK4AB	9" Upright Kit, 4-Pack, Black
1BARCB	Single Crossbar Kit, 48", Black, Minivan	9UPK2AB	9" Upright Kit, 2-Pack, Black
1BARCW	Single Crossbar Kit, 48", White, Minivan	RSK1AB	Single Ratchet Upright Kit, 9", Black
URMBK4B	Mounting Bracket Kit, 4-Pack, Black, Multiple Vehicles	URMBK4W	Mounting Bracket Kit, 4-Pack, White, Multiple Vehicles
URMBK2B	Mounting Bracket Kit, 2-Pack, Black, Multiple Vehicles	URMBK2W	Mounting Bracket Kit, 2-Pack, White, Multiple Vehicles
GL-64DS	Driver Side Grip-Lock Ladder Rack, 64"	SDPL64PS-B	Driver Side Single Drop ProLift Ladder Rack, 64"
GL-64PS	Passenger Side Grip-Lock Ladder Rack, 64"	SDPL64DS-B	Passenger Side Single Drop ProLift Ladder Rack, 64"
GL-642	Double Side Grip-Lock Ladder Rack, 64"	SDPL642-B	Double Side Single Drop ProLift Ladder Rack, 64"
GL-64DS-B	Driver Side Grip-Lock Ladder Rack, 64", Black	SDPL64PS-B	Driver Side Single Drop ProLift Ladder Rack, 64", Black
GL-64PS-B	Passenger Side Grip-Lock Ladder Rack, 64", Black	SDPL64DS-B	Passenger Side Single Drop ProLift Ladder Rack, 64", Black
GL-642-B	Double Side Grip-Lock Ladder Rack, 64", Black	SDPL642-B	Double Side Single Drop ProLift Ladder Rack, 64", Black

Continued on Page 3



CATALOG NUMBER RRKSBTOP

PRODUCT APPLICATION

This product is designed to be installed on pickups with ARE toppers. HD Utility and Grip-Lock racks are not recommended for medium or high roof vehicles!

ACCESSORIES THAT WILL WORK WITH THIS PRODUCT

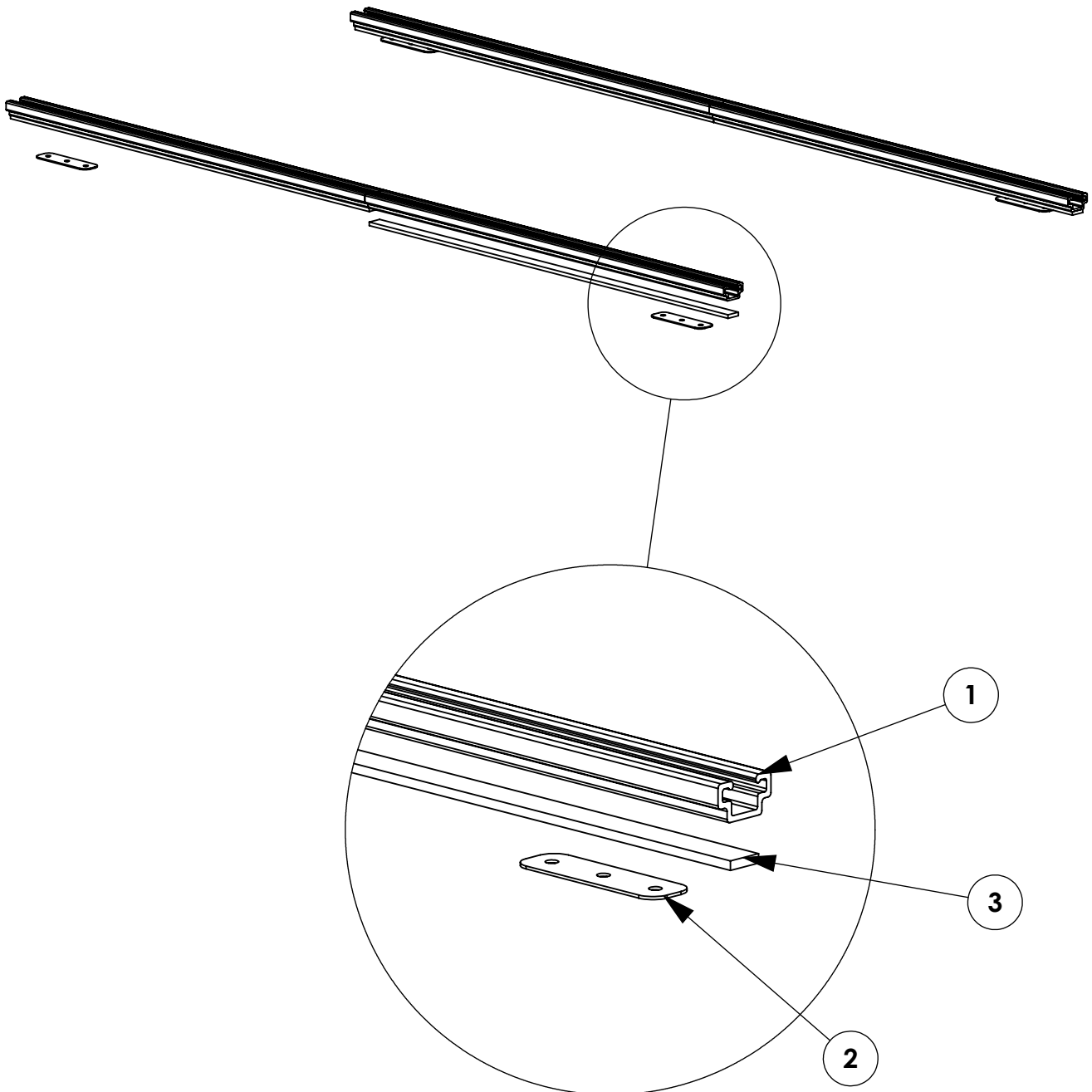
CATALOG NUMBER	DESCRIPTION	CATALOG NUMBER	DESCRIPTION
DDPL64PS	Driver Side Double Drop ProLift Ladder Rack, 64"	DSPL64PS	Driver Side Double Stack ProLift Ladder Rack, 64"
DDPL64DS	Passenger Side Double Drop ProLift Ladder Rack, 64"	DSPL64DS	Passenger Side Double Stack ProLift Ladder Rack, 64"
DDPL642	Double Side Double Drop ProLift Ladder Rack, 64"	DSPL642	Double Side Double Stack ProLift Ladder Rack, 64"
DDPL64PS-B	Driver Side Double Drop ProLift Ladder Rack, 64", Black	DSPL64PS-B	Driver Side Double Stack ProLift Ladder Rack, 64", Black
DDPL64DS-B	Passenger Side Double Drop ProLift Ladder Rack, 64", Black	DSPL64DS-B	Passenger Side Double Stack ProLift Ladder Rack, 64", Black
DDPL642-B	Double Side Double Drop ProLift Ladder Rack, 64", Black	DSPL642-B	Double Side Double Stack ProLift Ladder Rack, 64", Black

LADDER RACK HEIGHTS MEASURED FROM ROOF OF VEHICLE

CONFIGURATION	RACK HEIGHT
Base Rack	6.6"
Base + Ladder Stop	12.1"
Base + 4" Uprights	10.1"
Base + 6" Uprights	12.1"
Base + 9"/Ratchet Uprights	15.1"
Base + Grip-Lock	13.3"
Base + Single Stage Drop ProLift	Coming Soon
Base + Double Stage Drop ProLift	14.0"
Base + Double Stack	Coming Soon

<i>INSTR. NUMBER</i> : 66069	<i>PG:</i> 1	<i>REV:</i> A	<i>ITEM NO.</i>	<i>PART NUMBER</i>	<i>DESCRIPTION</i>	<i>QTY.</i>
			1	66194	ROOF RAIL, SB TOPPER	4
<i>PART NUMBER</i> : RRKSBTOP			2	66056	UTILITY, TOP SUPPORT PLATE	4
<i>PART DESC.</i> : ROOF RAIL KIT, SB TOPPER			3	63390	FOAM TAPE 1/4X2X120"TB	2

NOTE: THIS INSTRUCTION IS VALID FOR RRKLBTOP



NOTE: FOAM STRIP IS ALREADY INSTALLED

GET TO KNOW THE VEHICLE - AT THE BEGINNING OF ANY INSTALLATION, CHECK THE LOCATION OF THE FUEL TANK, FUEL LINES, BRAKE LINES, HIGH VOLTAGE BATTERIES AND WIRING HARNESSSES TO AVOID INJURY OR PROPERTY DAMAGE FROM TOOL CONTACT.

SEAL ALL EXTERIOR HOLES - ALL INSTALLATION HOLES SHOULD BE SEALED WITH BUTYL TAPE OR SILICON TO PREVENT WATER AND EXHAUST GASES FROM ENTERING THE VEHICLE.

CONTROL DRILL DEPTH - TO AVOID DAMAGE TO THE VEHICLE, USE A DRILL STOP OR CLEARED STEP BIT WHEN DRILLING INSTALLATION HOLES.

ALWAYS ADD PRIMER - WHEN ADDING INSTALLATION HOLES BE SURE TO USE A SELF-ETCHING PRIMER TO PREVENT CORROSION, FASTENER FAILURE AND INJURY.

MOUNTING POINTS MUST HAVE METAL-TO-METAL CONTACT - USE PROVIDED MOUNTING SPACERS TO ACCOMMODATE FOR VEHICLE FEATURES, CARPET OR SUBFLOORS.

PROVIDE CLEARANCE FOR SPACERS - IF THE INSTALLATION VEHICLE CONTAINS A CARPET OR SUBFLOOR, USE A 1-3/16" DIAMETER CARPET CUTTER (P/N: 31183-0) AT ALL MOUNTING LOCATIONS TO OPEN UP ROOM FOR SPACERS.

CHECK SPACER ORIENTATION - BE SURE THAT THE INDENT IN THE SPACER COVERS THE PLUSNUT HEAD; THIS ENSURES THE MOST METAL-TO-METAL CONTACT AND REDUCES VIBRATION.

PLUSNUT INSTALLATION - A PLUSNUT GUN IS RECOMMENDED FOR PLUSNUT INSTALLATION FOR ITS PRODUCTION SPEED. HOWEVER, A PLUSNUT SETTING TOOL CAN ALSO BE USED (P/N: 22200-0).

THRU-BOLT CLEARANCE - WHEN USING A THRU-BOLT AT ANY MOUNTING LOCATION, BE SURE THAT YOUR HOLE HAS 1/16" CLEARANCE.

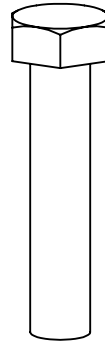
FASTENERS USED



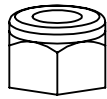
**FAS0552
5/16 SS
FLAT WASHER
QTY: 16**



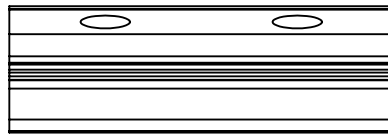
**FAS0497
5/16-18X.75 SS
SET SCREW
QTY: 8**



**FAS0242
5/16-18X1.5 SS
HH SCREW
QTY: 8**



**FAS0248
5/16-18 SS
NLK HEX NUT
QTY: 8**

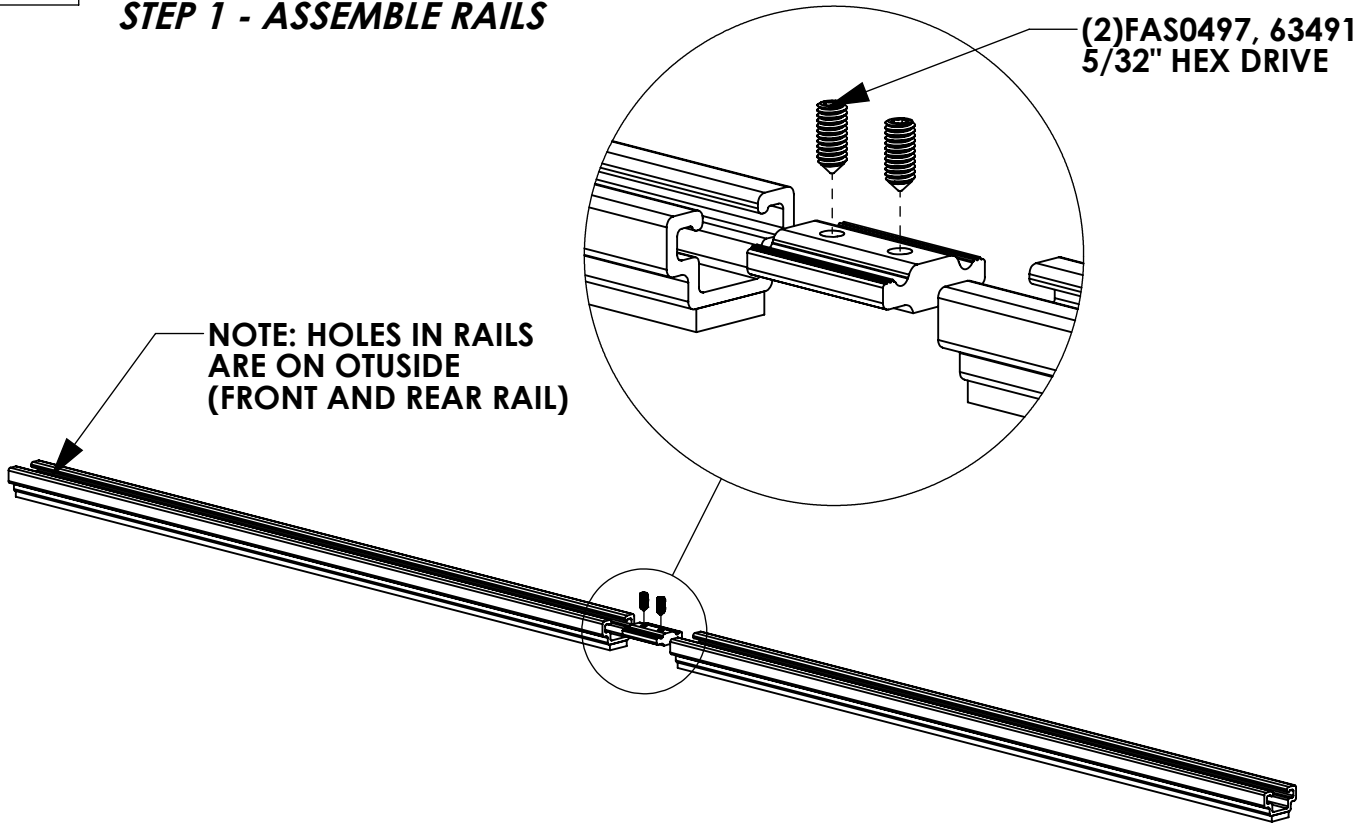


**63491
RAIL
CONNECTOR
QTY: 2**

BEGIN ASSEMBLY
STEP 1 - ASSEMBLE RAILS

(2)FAS0497, 63491
5/32" HEX DRIVE

NOTE: HOLES IN RAILS
ARE ON OTUSIDE
(FRONT AND REAR RAIL)



NOTES FOR INSTALLATION TO ROOF OF TOPPER

LOCATE THE REINFORCEMENT
PLATES ON BOTH SIDES OF
TOPPER (FRONT AND REAR).

MOUNTING HOLES IN RAILS
NEED TO BE ABOVE THESE
WHEN INSTALLED!!!

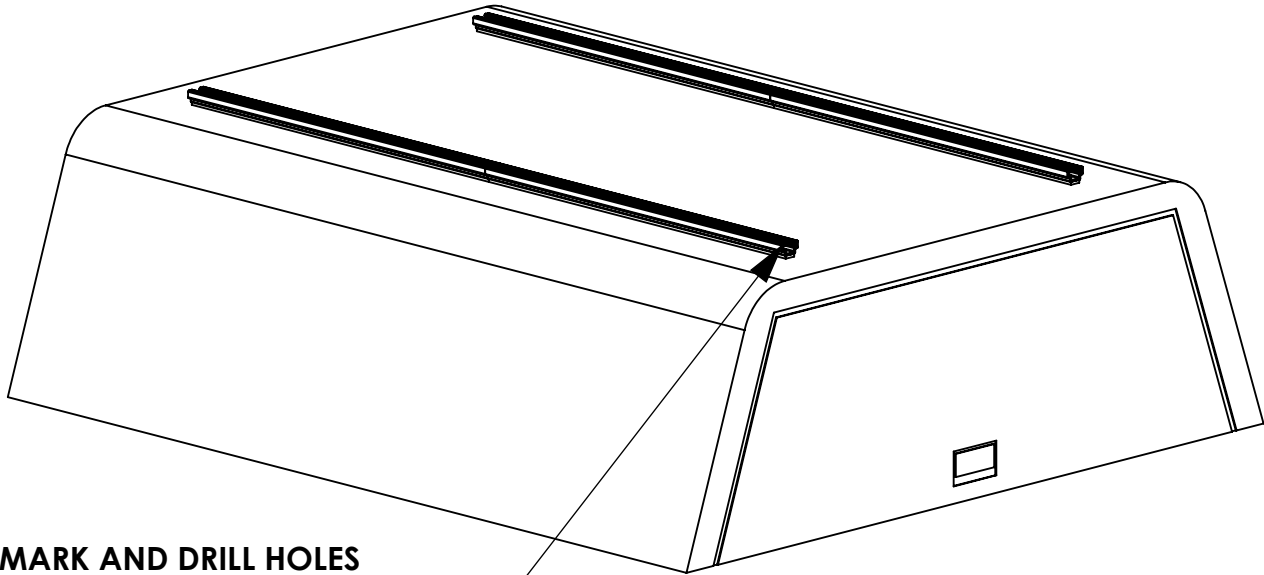


**ENSURE HOLES ARE DRILLED SO FASTENERS
CAN BE ACCESSED WHEN TIGHTENING!!!**

BEGIN INSTALLATION

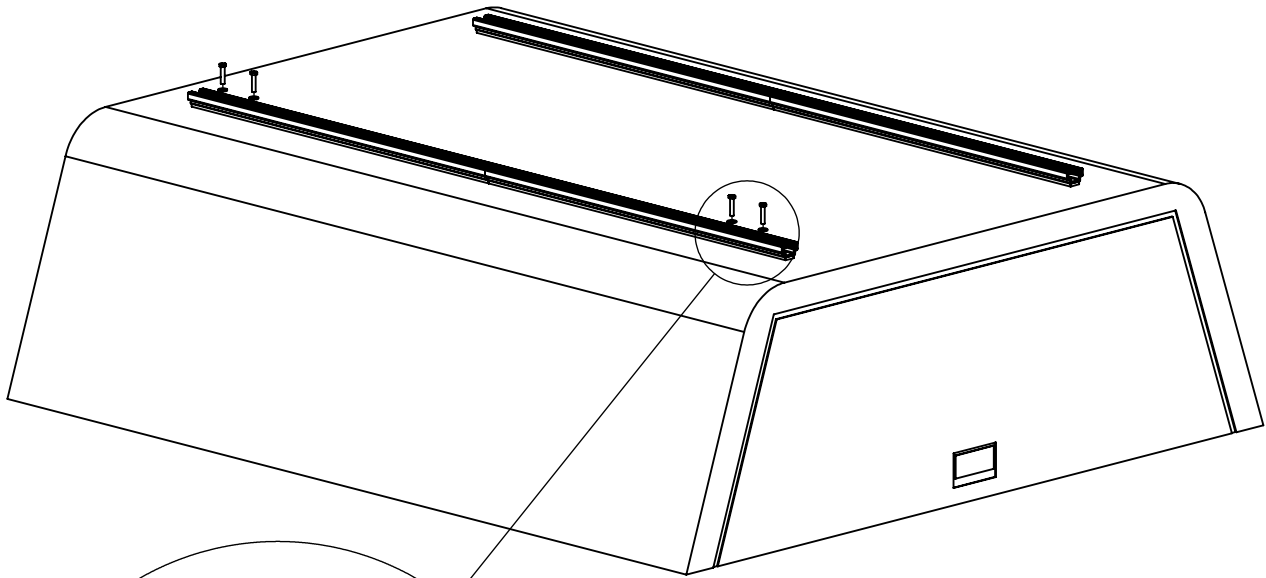
STEP 2 - MARK AND DRILL HOLES IN ROOF OF TOPPER

**SET RAILS ON ROOF, SPACE EVENLY ACROSS
WIDTH OF TOPPER WITH MOUNTING HOLES
ABOVE REINFORCEMENT PLATES**



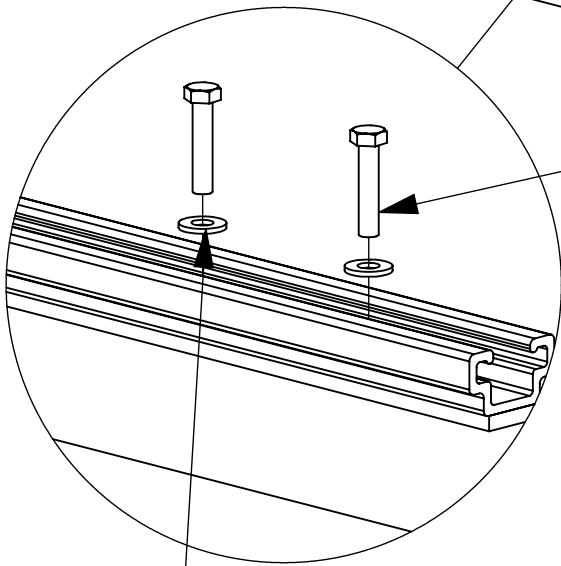
**MARK AND DRILL HOLES
(4 PLACES PER RAIL ASSEMBLY)
11/32" DRILL BIT**

STEP 3 - MOUNT RAIL TO TOPPER

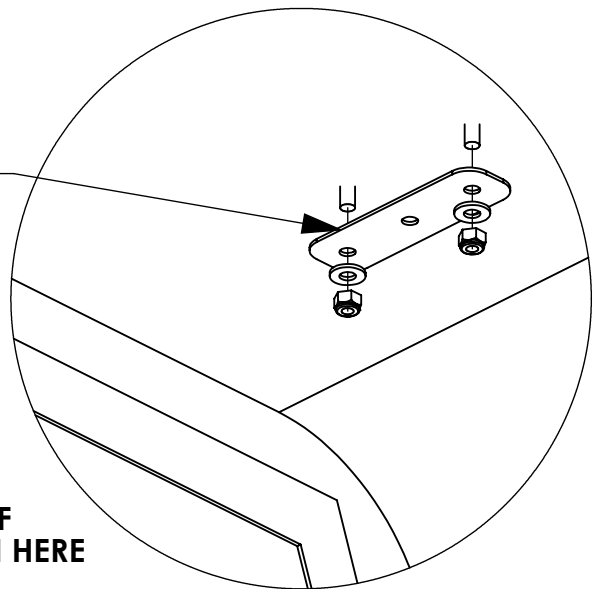


POKE FASTENERS THROUGH FOAM TAPE

ADD SILICONE AROUND DRILLED HOLES!



**FAS0242, (2) FAS0552, FAS0248
(4 PLACES PER RAIL ASSEMBLY)
1/2 SOCKET
1/2 WRENCH**



**NOTE: INSIDE OF
TOPPER SHOWN HERE**