

Introduction / Comments:

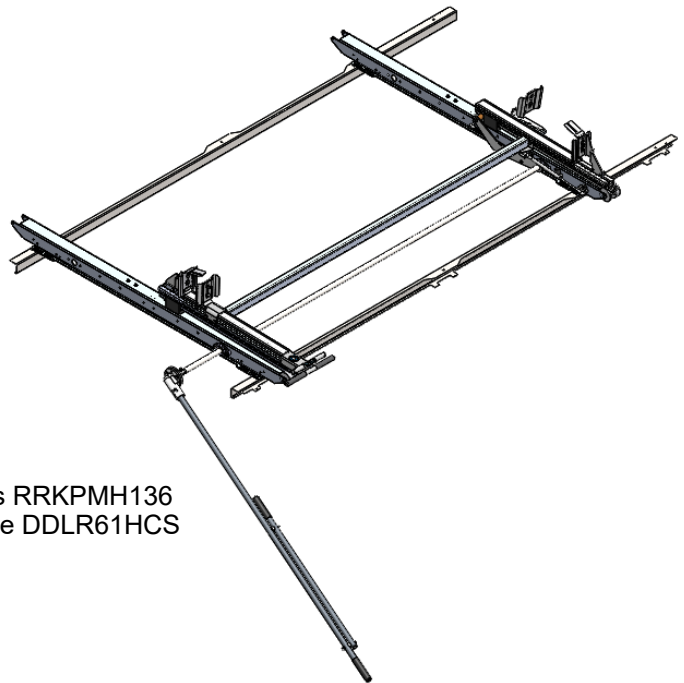
This instruction is for all Promaster High Roof Rail Kits. Instructions explain installation for the 136, 159 and 159 extended wheelbases.

Note:

It is advised that all fasteners used in this assembly and installation should be checked for tightness at the following intervals: @ 2-weeks and again @ 6-weeks of operation. This preventive maintenance step must be completed to ensure your Product gives you long service life.



NOTE: These models are for RRKPMH136, your roof rails will look different if you have a 159 or 159Ext Promaster van.



This view shows RRKPMH136 mounted with the DDLR61HCS unit.

RRKPMH136 / RRKPMH159 / RRKPMHEXT PROMASTER HIGH ROOF RAIL KITS

- PRECAUTIONS -



CAUTION
THE USE OF AIR IMPACT TOOLS CAN
OVER-TORQUE FASTENERS AND
CAUSE FASTENER FAILURE!



CAUTION
ALL INSTALLATION HOLES SHOULD BE SEALED
WITH SILICON OR BUTYL SEALANT TO PREVENT
EXHAUST FUMES FROM ENTERING THE VEHICLE!



DANGER
INSPECT FOR FUEL TANK, FUEL LINES, BRAKE LINES, HIGH
VOLTAGE BATTERIES AND ELECTRICAL LINES PRIOR TO
DRILLING TO AVOID DAMAGING CRITICAL VEHICLE SYSTEMS
OR INJURY TO INSTALLER DURING INSTALLATION PROCESS!



CAUTION
TO AVOID DAMAGING THE VEHICLE ALWAYS USE DRILL
STOPS WHEN DRILLING ANY INSTALLATION HOLES!
ADRIAN AVAILABLE PART #'S 31119-0 (3/8" X 1/2"
DEEP), 31121-0 (1/2" X 1/2" DEEP)



- IMPORTANT WARRANTY REQUIREMENTS -

1. SUBSTITUTING ADRIAN STEEL SPECIFIED FASTENERS FOR ASSEMBLY AND/OR INSTALLATION WILL VOID YOUR PRODUCT WARRANTY.
2. ALL HOLES DRILLED INTO VEHICLE SHOULD HAVE THE RAW METAL EDGES SEALED WITH A SELF-ETCHING PRIMER TO RESIST CORROSION AND POTENTIAL FASTENER POINT FAILURE.
3. ALL FASTENERS USED IN THE INSTALLATION OF THIS PRODUCT SHOULD BE TIGHTENED TO THE TORQUE(S) SPECIFIED IN THESE INSTRUCTIONS.
4. THESE INSTRUCTIONS SHOULD BE KEPT WITH THE VEHICLE.

THE BASIC TOOLS NEEDED FOR MOST INSTALLATIONS



DRILL



DRILL BIT WITH
STOP



RATCHET, SOCKETS
AND/OR WRENCHES



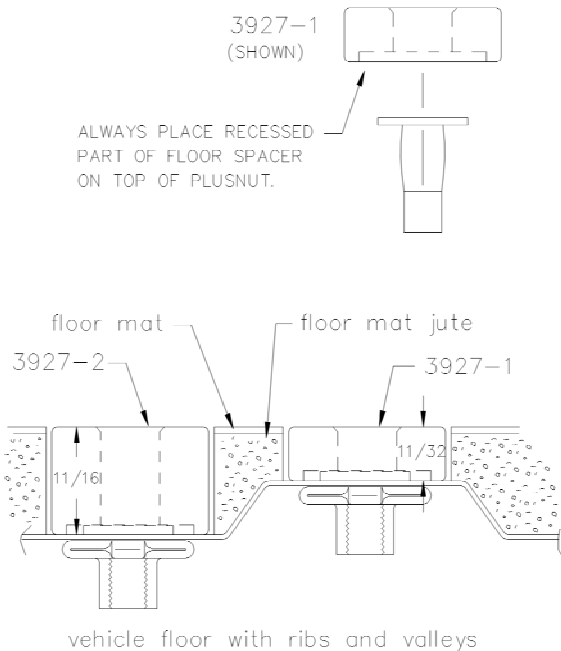
SCREWDRIVERS



MEASURING TAPE

ADDITIONAL TOOLS MAY BE NEEDED FOR THIS INSTALLATION AND THEY WILL BE IDENTIFIED IN THE STEPS THAT FOLLOW.

If your vehicle contains carpet or a rubber floor mat you will need to prepare the mounting location. Position the product to be installed into the vehicle and once you are satisfied with the mounting locations, mark the mounting locations. Using a 1-3/16" diameter carpet cutter (P/N: 31183-0). Select the appropriate floor spacers as shown in the illustration. Set those aside for use later into the installation process. Using the correct drill bit size for the selected plusnut, drill the mounting holes in the vehicle sheet metal to prepare for installing the plusnuts. If you are thru-bolting at any of the locations simply drill a hole that is 1/16" larger than the bolt size(s) for those locations. Once you have drilled the holes into the vehicle, the raw metal edges should be sealed using a self-etching primer to resist corrosion and potential fastener point failure.



A PLUSNUT (RIVNUT) SETTING TOOL IS REQUIRED FOR PLUSNUT (RIVNUT) INSTALLATION . PLUS NUT SETTING TOOL CAN BE ORDERED THROUGH ADRIAN STEEL, OR USE AN AIR POWERED PLUSNUT SETTING GUN.

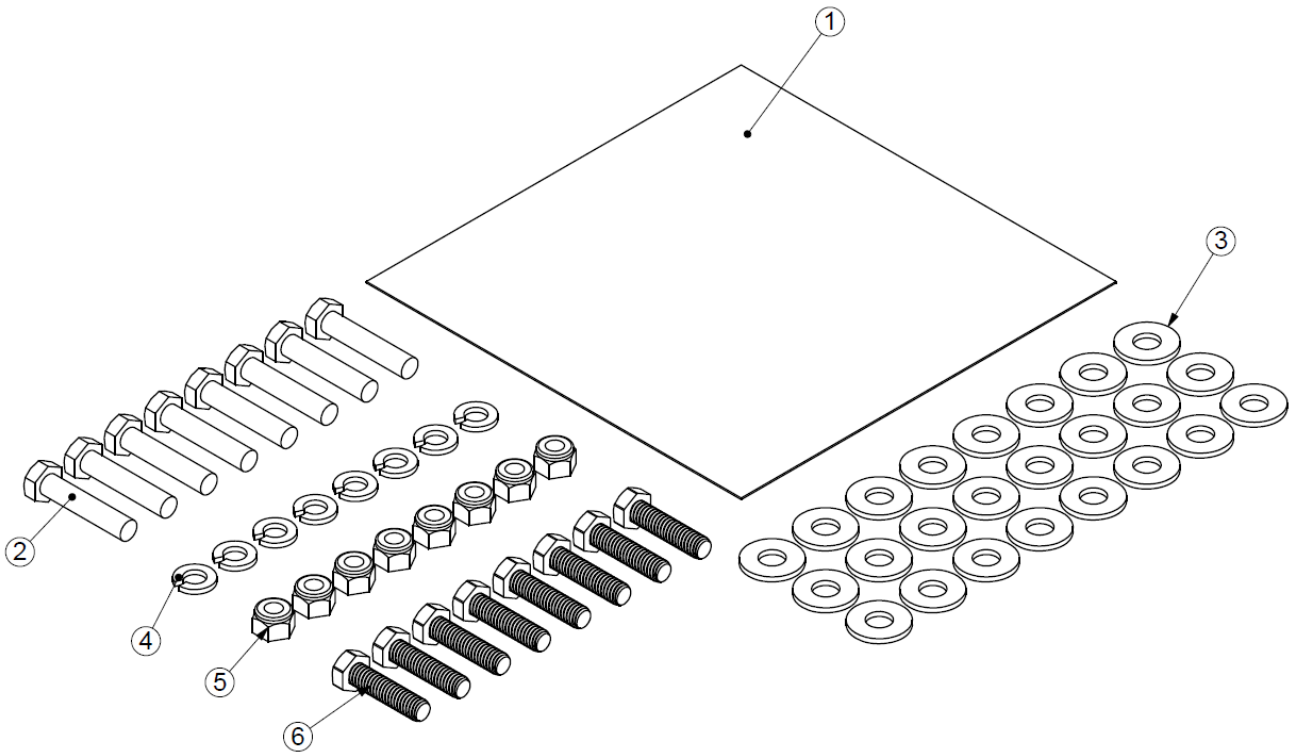
1/4-20UNC Plusnut (FAS0052) Use 3/8" dia. drill w/stop
 FAS0080 SCREW, HXHD, 1/4-20UNCx2.00", G8
 FAS0067 WASHER, FLAT, 1/4"ID
 22200-0 PLUSNUT TOOL

5/16-18UNC Plusnut (FAS0091) Use 1/2" dia. drill w/stop
 FAS0095 SCREW, HXHD, 5/16-18UNCx2.00", G8
 FAS0086 WASHER, FLAT, 5/16"ID
 22200-0 PLUSNUT TOOL

Place barrel of the plusnut body in sheet metal thru hole until flange is flush with sheet metal. Using a 9/16" combination wrench of plusnut tool body and a second hand wrench, ratchet, or air tool, rotate the hex bolt head CW to draw plus nut flanges up (set the plusnut).

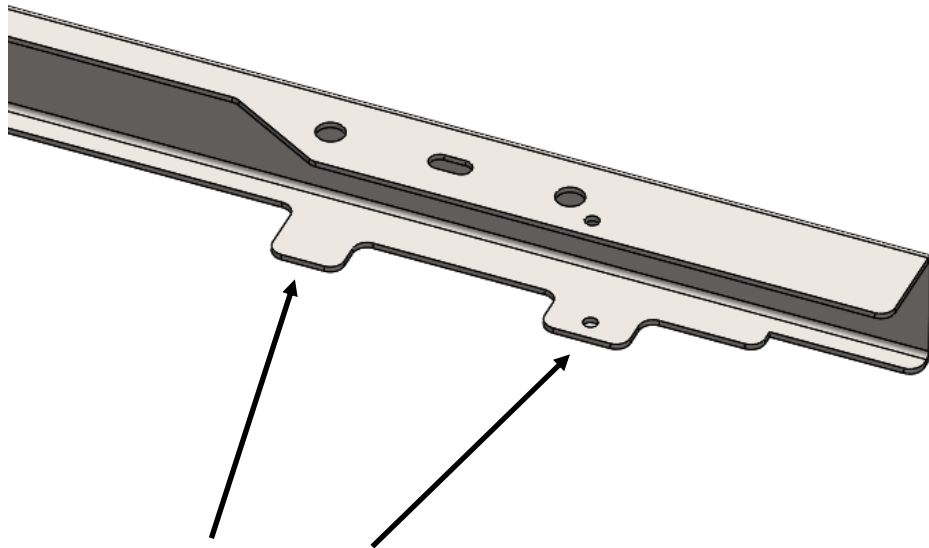
**Installation and/or Assembly Fasteners
BAG56417**

ITEM NO.	PART NUMBER	DESCRIPTION	QTY.
1	BAG0505-A	BAG0507-A	1
2	FAS0242	Screw, Hex Hd, 5/16-18x1.50 Stainless Steel	8
3	FAS0552	Washer, Flat, 5/16, SST	24
4	FAS0588	Washer, Lock, Split, 5/16, SS	8
5	FAS0248	Nut, Nylon Insert Lock, 5/16-18 SST	8
6	FAS0830	Screw, Hex Hd, 5/16-18 X 1.25 SS	8



Step 01 ADD TEFLON TAPE TO ROOF RAILS.

NOTE: THIS ROOF RAIL IS FOR RRKPMH136. YOUR ROOF RAIL MAY LOOK SLIGHTLY DIFFERENT.



CUT TEFLON TAPE (39317) TO LENGTH FOR ALL TABS ON THE UNDERSIDE OF THE ROOF RAILS. THIS PREVENTS THE OUTER EDGES OF THE TABS FROM CONTACTING THE ROOF SURFACE AND WEARING THROUGH THE PAINT. THERE ARE 2 TABS AT EACH MOUNTING POINT PER ROOF RAIL.

NUMBER OF STRIPS PER RAIL IS DEPENDENT ON THE WHEELBASE OF YOUR VAN.

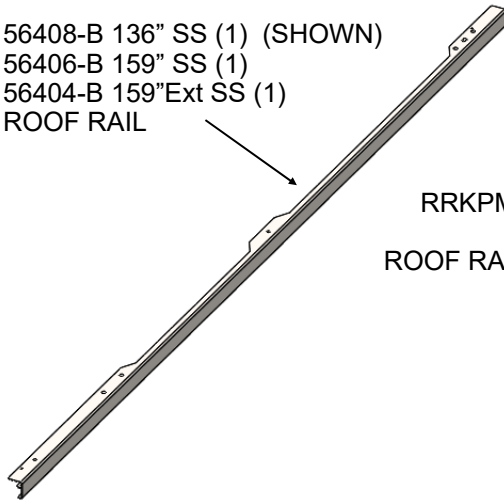
136" VANS NEED (6) STRIPS PER RAIL
159" VANS NEED (6) STRIPS PER RAIL
159"Ext VANS NEED (8) STRIPS PER RAIL

Step 02 ATTACH ROOF RAILS TO VAN AS SHOWN, 45168-B FOOT CLAMP SLIPS UNDER THE HEAD OF THE ROOF PIN AND THEN THE LIP SLIDES OVER THE ROOF RAIL. A SCREW IS INSTALLED INTO THE RIVNUT THROUGH THE TOP SURFACE OF THE RAIL.

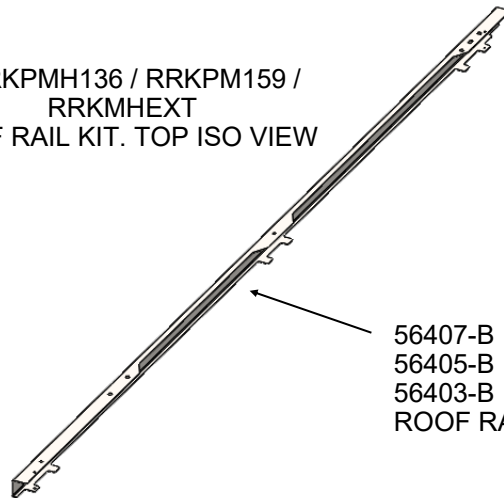
IMPORTANT!! THE HEAD OF THE PIN MUST LAY BETWEEN THE VERTICAL WALL AND THE FOOT CLAMP LIP AS SHOWN.

REPEAT AT ALL ATTACHMENT POINTS. TORQUE FASTENERS TO 12-15 FT LBS. AFTER INSTALLING CROSS BOWS.

56408-B 136" SS (1) (SHOWN)
56406-B 159" SS (1)
56404-B 159"Ext SS (1)
ROOF RAIL



RRKPMH136 / RRKPM159 /
RRKPMHEXT
ROOF RAIL KIT. TOP ISO VIEW

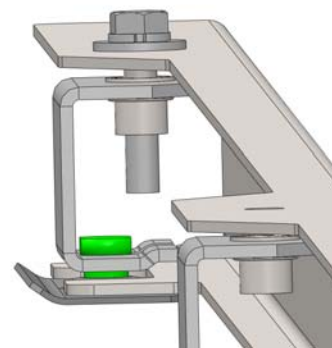
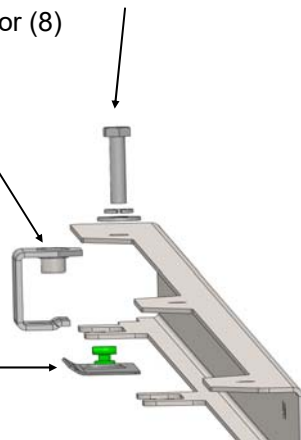


56407-B 136" CS (1) (SHOWN)
56405-B 159" CS (1)
56403-B 159"Ext CS (1)
ROOF RAIL

FAS0242 5/16-18X1.5 HH (6) or (8)
FAS0552 5/16 WASHER (6) or (8)
FAS0588 5/16 SPLIT L'WASHER (6) or (8)
45168-B CLAMP (6) or (8)

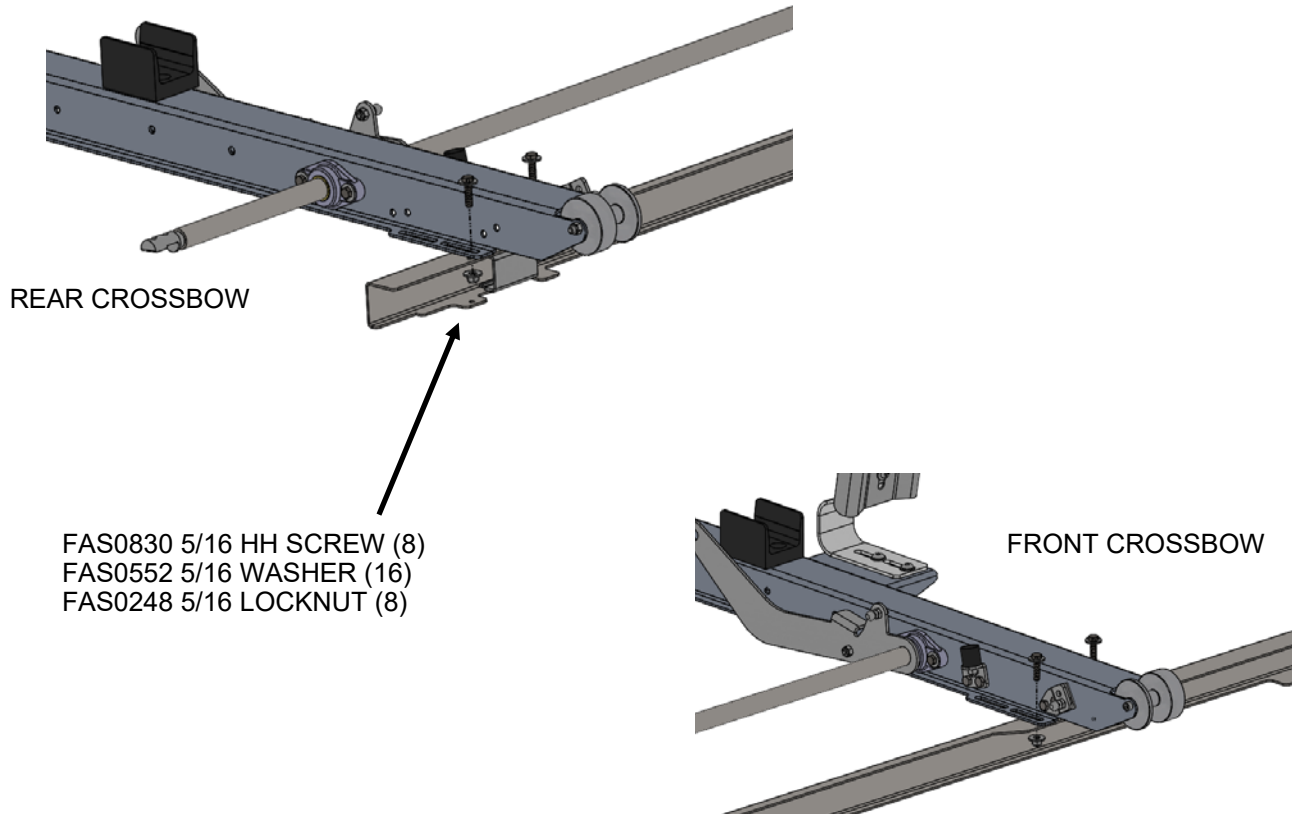
THIS SIDE
TOWARDS
SIDE OF VAN

PIN AND PLATE
PART OF ROOF
ASSEMBLY



SHOWN ASSEMBLED

Step 03 ATTACH THE FRONT AND REAR CROSSBOWS TO THE ROOF RAILS. THIS NEEDS TO BE DONE AS A STEP OF THE DDLR HIGH ROOF UNIT ASSEMBLY. NOTE: IF YOUR DRIVELINE IS NOT INSTALLED BETWEEN THE CROSSBOWS PRIOR TO FASTENING YOU WILL HAVE TO REMOVE THEM FROM THE ROOF RAILS AND DO SO. TORQUE FASTENERS TO 12-15 FT.LBS.



ATTENTION!
LADDER RACK PURCHASER

IT IS ADVISED THAT ALL FASTENERS THAT ASSEMBLE AND INSTALL YOUR LADDER RACK ARE CHECKED FOR TIGHTNESS AT 2 WEEKS OF OPERATION AND THEN RECHECKED AGAIN AT 6 WEEKS OF OPERATION.

ASSEMBLY FASTENERS COULD LOOSEN DURING USE DUE TO VIBRATION THROUGH YOUR VEHICLE WHILE ON THE ROAD OR IN AND OUT OF CONSTRUCTION SITES.

THIS IS A PREVENTATIVE MAINTENANCE STEP TO INSURE YOUR LADDER RACK GIVES YOU A LONG SERVICE LIFE.

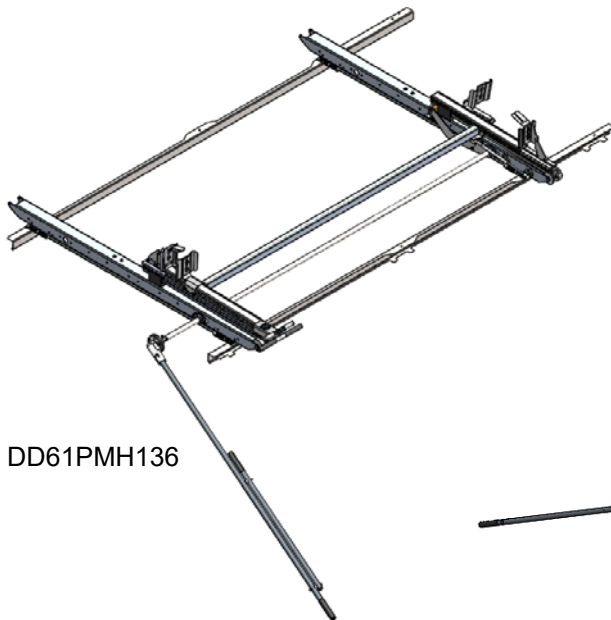
**INSTALLER: PLEASE PRESENT THIS STATEMENT TO THE END USER WHEN DELIVERING THE INSTALLED PRODUCT!

YOUR ROOF RAIL KIT IS NOW COMPLETELY INSTALLED. THIS IS WHAT YOUR LADDER RACK SHOULD LOOK LIKE AT THIS TIME. REFER BACK TO THE DDLR INSTALL INSTRUCTOINS TO COMPLETE YOUR LADDER RACK ASSEMBLY.

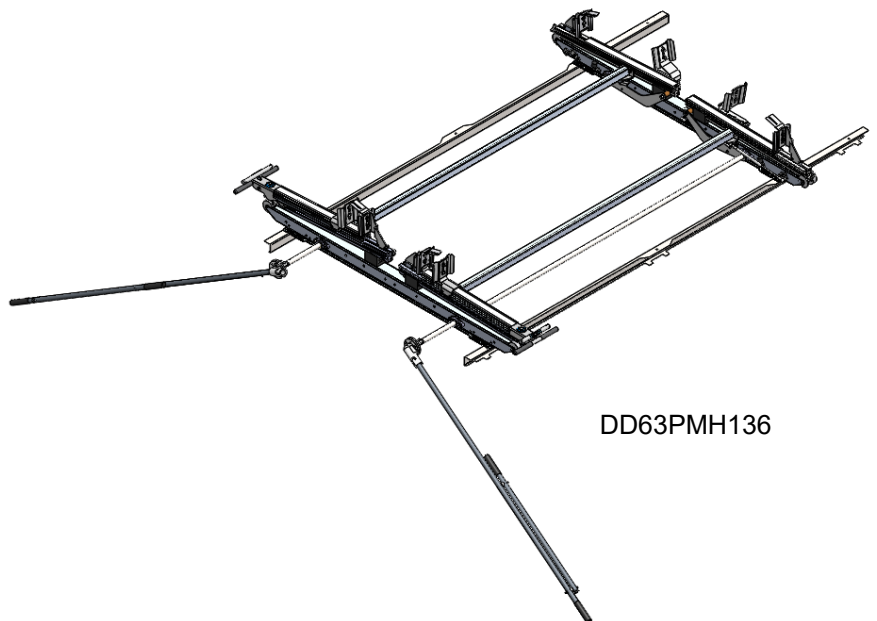


NOTE: THIS IS A PICTURE OF THE RRKPMH136 INSTALLED. IF YOU HAVE A 159 OR 159Ext VAN THEN YOUR INSTALLATION WILL LOOK SLIGHTLY DIFFERENT.

THE FOLLOWING VIEWS ARE OF COMPLETED 61 AND 63 LADDER RACK UNITS USING THIS ROOF RAIL KIT.



DD61PMH136



DD63PMH136