

Introduction / Comments:

PROMASTER LOW ROOF CROSSBOW/ROOF RAIL ASSEMBLY INSTRUCTIONS

Note:

It is advised that all fasteners used in this assembly and installation should be checked for tightness at the following intervals: @ 2-weeks and again @ 6-weeks of operation. This preventive maintenance step must be completed to ensure your Product gives you long service life.



RRKPM118

RRKPM136



RRKPM118 / RRKPM136
PROMASTER LOW ROOF CROSSBOW/ROOF RAIL KIT

- PRECAUTIONS -



CAUTION
THE USE OF AIR IMPACT TOOLS CAN OVER-TORQUE FASTENERS AND CAUSE FASTENER FAILURE!



CAUTION
ALL INSTALLATION HOLES SHOULD BE SEALED WITH SILICON OR BUTYL SEALANT TO PREVENT EXHAUST FUMES FROM ENTERING THE VEHICLE!



DANGER
INSPECT FOR FUEL TANK, FUEL LINES, BRAKE LINES, HIGH VOLTAGE BATTERIES AND ELECTRICAL LINES PRIOR TO DRILLING TO AVOID DAMAGING CRITICAL VEHICLE SYSTEMS OR INJURY TO INSTALLER DURING INSTALLATION PROCESS!



CAUTION
TO AVOID DAMAGING THE VEHICLE ALWAYS USE DRILL STOPS WHEN DRILLING ANY INSTALLATION HOLES!
ADRIAN AVAILABLE PART #'S 31119-0 (3/8" X 1/2" DEEP), 31121-0 (1/2" x 1/2" DEEP)



- IMPORTANT WARRANTY REQUIREMENTS -

1. SUBSTITUTING ADRIAN STEEL SPECIFIED FASTENERS FOR ASSEMBLY AND/OR INSTALLATION WILL VOID YOUR PRODUCT WARRANTY.
2. ALL HOLES DRILLED INTO VEHICLE SHOULD HAVE THE RAW METAL EDGES SEALED WITH A SELF-ETCHING PRIMER TO RESIST CORROSION AND POTENTIAL FASTENER POINT FAILURE.
3. ALL FASTENERS USED IN THE INSTALLATION OF THIS PRODUCT SHOULD BE TIGHTENED TO THE TORQUE(S) SPECIFIED IN THESE INSTRUCTIONS.
4. THESE INSTRUCTIONS SHOULD BE KEPT WITH THE VEHICLE.

THE BASIC TOOLS NEEDED FOR MOST INSTALLATIONS



DRILL



DRILL BIT WITH STOP



RATCHET, SOCKETS AND/OR WRENCHES



SCREWDRIVERS



MEASURING TAPE

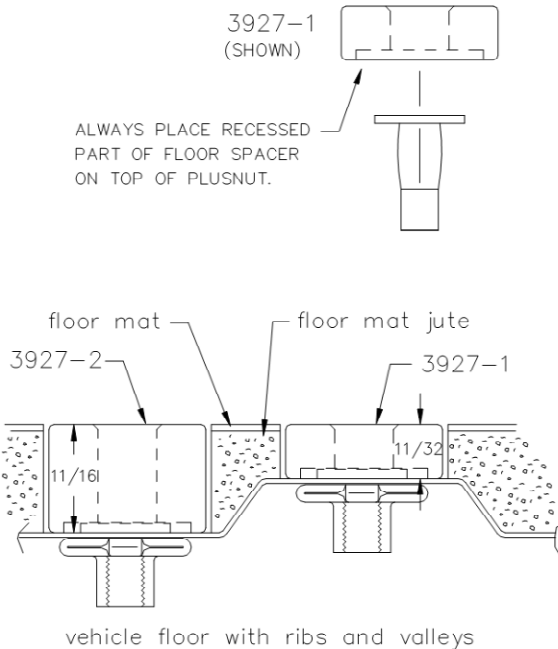
ADDITIONAL TOOLS MAY BE NEEDED FOR THIS INSTALLATION AND THEY WILL BE IDENTIFIED IN THE STEPS THAT FOLLOW.

If your vehicle contains carpet or a rubber floor mat you will need to prepare the mounting location. Position the product to be installed into the vehicle and once you are satisfied with the mounting locations, mark the mounting locations. Using a 1-3/16" diameter carpet cutter (P/N: 31183-0). Select the appropriate floor spacers as shown in the illustration. Set those aside for use later into the installation process.

Using the correct drill bit size for the selected plusnut, drill the mounting holes in the vehicle sheet metal to prepare for installing the plusnuts.

If you are thru-bolting at any of the locations simply drill a hole that is 1/16" larger than the bolt size(s) for those locations.

Once you have drilled the holes into the vehicle, the raw metal edges should be sealed using a self-etching primer to resist corrosion and potential fastener point failure.



A PLUSNUT (RIVNUT) SETTING TOOL IS REQUIRED FOR PLUSNUT (RIVNUT) INSTALLATION . PLUS NUT SETTING TOOL CAN BE ORDERED THROUGH ADRIAN STEEL, OR USE AN AIR POWERED PLUSNUT SETTING GUN.

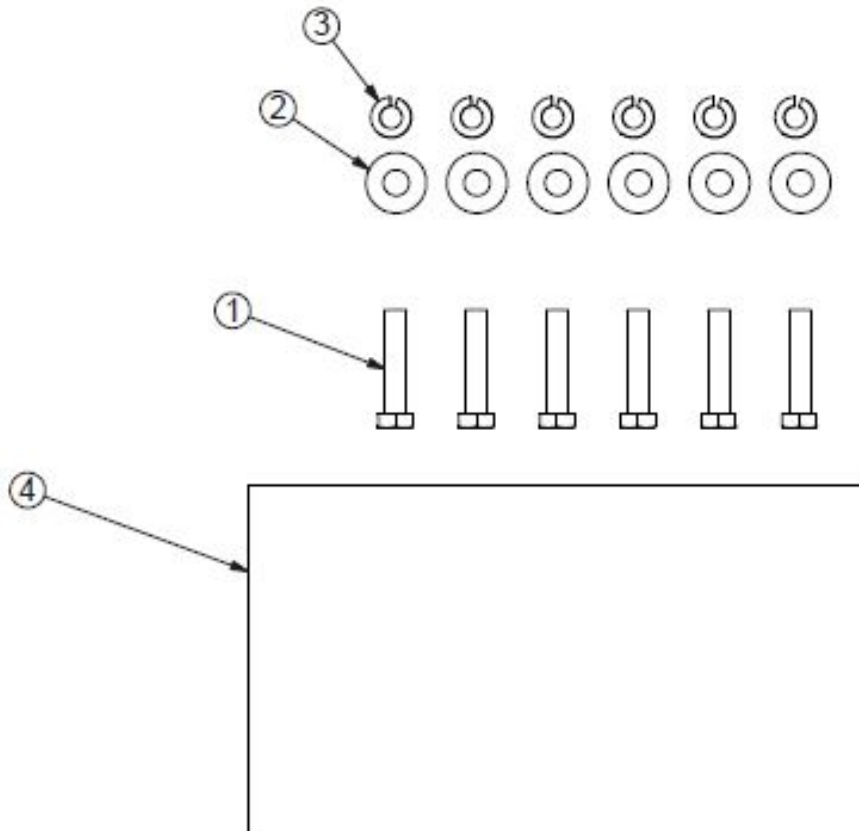
1/4-20UNC Plusnut (FAS0052) Use 3/8" dia. drill w/stop
 FAS0080 SCREW, HXHD, 1/4-20UNCx2.00", G8
 FAS0067 WASHER, FLAT, 1/4"ID
 22200-0 PLUSNUT TOOL

5/16-18UNC Plusnut (FAS0091) Use 1/2" dia. drill w/stop
 FAS0095 SCREW, HXHD, 5/16-18UNCx2.00", G8
 FAS0086 WASHER, FLAT, 5/16"ID
 22200-0 PLUSNUT TOOL

Place barrel of the plusnut body in sheet metal thru hole until flange is flush with sheet metal.
 Using a 9/16" combination wrench of plusnut tool body and a second hand wrench, ratchet, or air tool, rotate the hex bolt head CW to draw plus nut flanges up (set the plusnut).

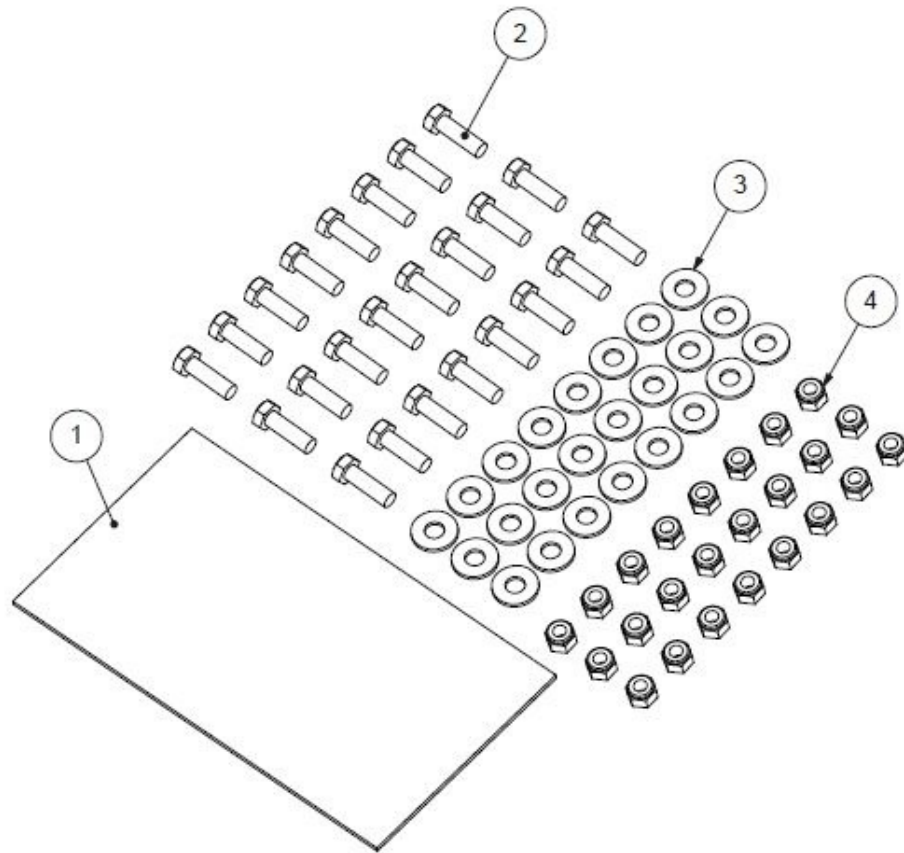
**ASSEMBLY FASTENERS
BAGPMLRRK**

ITEM NO.	PART NUMBER	DESCRIPTION	QTY
1	FAS0242	SCREW,HH 5/16-18X1.5 SS	6
2	FAS0552	WASHER,FLAT USS 5/16 SS	6
3	FAS0588	WASHER,LCK SPLIT 5/16 SS	6
4	BAG0509-A	6"X10" 4MIL AUTOBAG	1

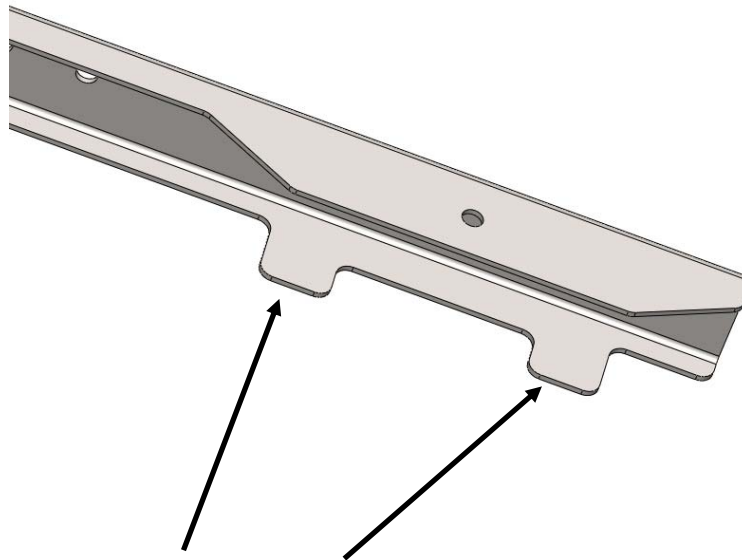


**ASSEMBLY FASTENERS
BAG54106**

ITEM NO.	PART NUMBER	DESCRIPTION	QTY
1	BAG0509-A	6"X10" 4MIL AUTOBAG	1
2	FAS0597	SCREW,HH 5/16-18X1 SST	24
3	FAS0552	WASHER,FLAT,5/16 SST	24
4	FAS0248	NUT,HEX NLK 5/16-18 SS W	24



Step 01 Add Teflon Tape to Roof Rails

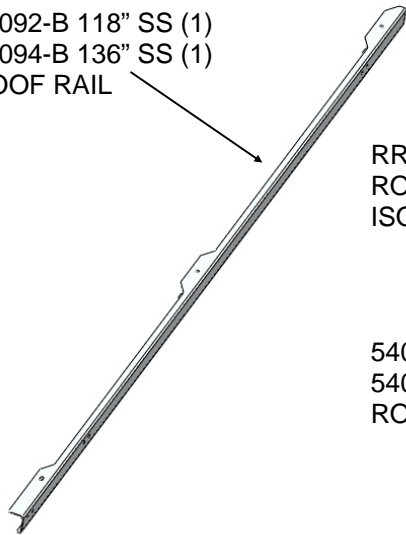


CUT 39317 TEFLON TAPE TO LENGTH TO FIT ALL TABS AS SHOWN AND PLACE ON UNDERSIDE OF THESE TABS TO PREVENT THE OUTER EDGES OF THE TABS FROM CONTACTING THE ROOF SURFACE AND WEARING THRU THE PAINT. 2 TABS AT EACH MOUNTING POINT, BOTH ROOF RAILS.

Step 02 ATTACH ROOF RAILS TO VAN AS SHOWN, 45168-B FOOT CLAMP SLIPS UNDER THE HEAD OF THE ROOF PIN AND THEN LIP SLIDES OVER ROOF RAIL. SCREW IS INSTALLED INTO RIVNUT THRU TOP SURFACE OF RAIL.
IMPORTANT!! HEAD OF PIN MUST LAY BETWEEN VERTICAL WALL AND OFFSET OF FOOT CLAMP AS SHOWN.

REPEAT AT ALL 6 ATTACHMENT POINTS. TORQUE FASTENERS TO 12-15 FT LBS. **AFTER INSTALLING CROSS BOWS.**

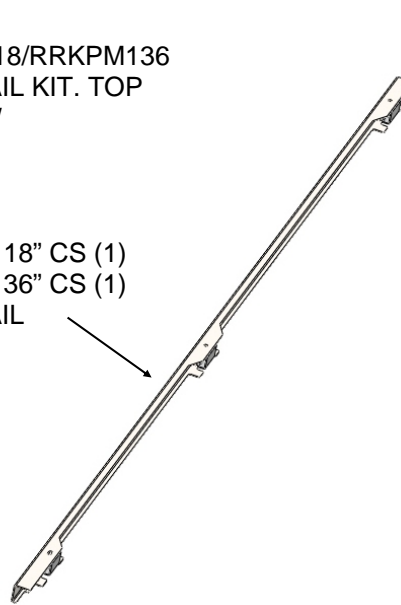
54092-B 118" SS (1)
54094-B 136" SS (1)
ROOF RAIL



FRONT OF VAN

RRKPM118/RRKPM136
ROOF RAIL KIT. TOP
ISO VIEW

54091-B 118" CS (1)
54093-B 136" CS (1)
ROOF RAIL



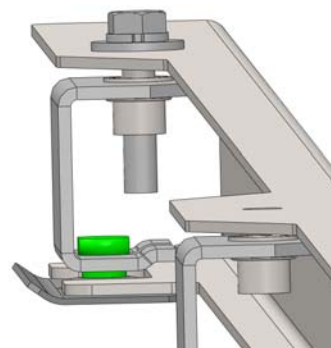
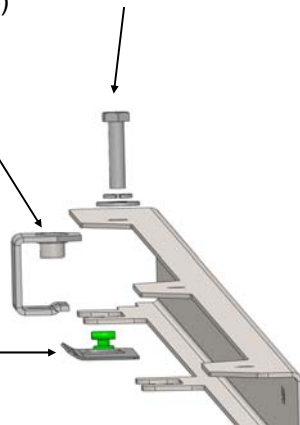
NOTE ANGLE NOTCH ON FRONT EDGE

45168-B CLAMP (6)
FAS0242 5/16-18X1.5 HH (6)
FAS0552 5/16 WASHER (6)
FAS0588 5/16 SPLIT L'WASHER (6)

THIS SIDE TOWARDS SIDE OF VAN

THIS SIDE TOWARDS SIDE OF VAN

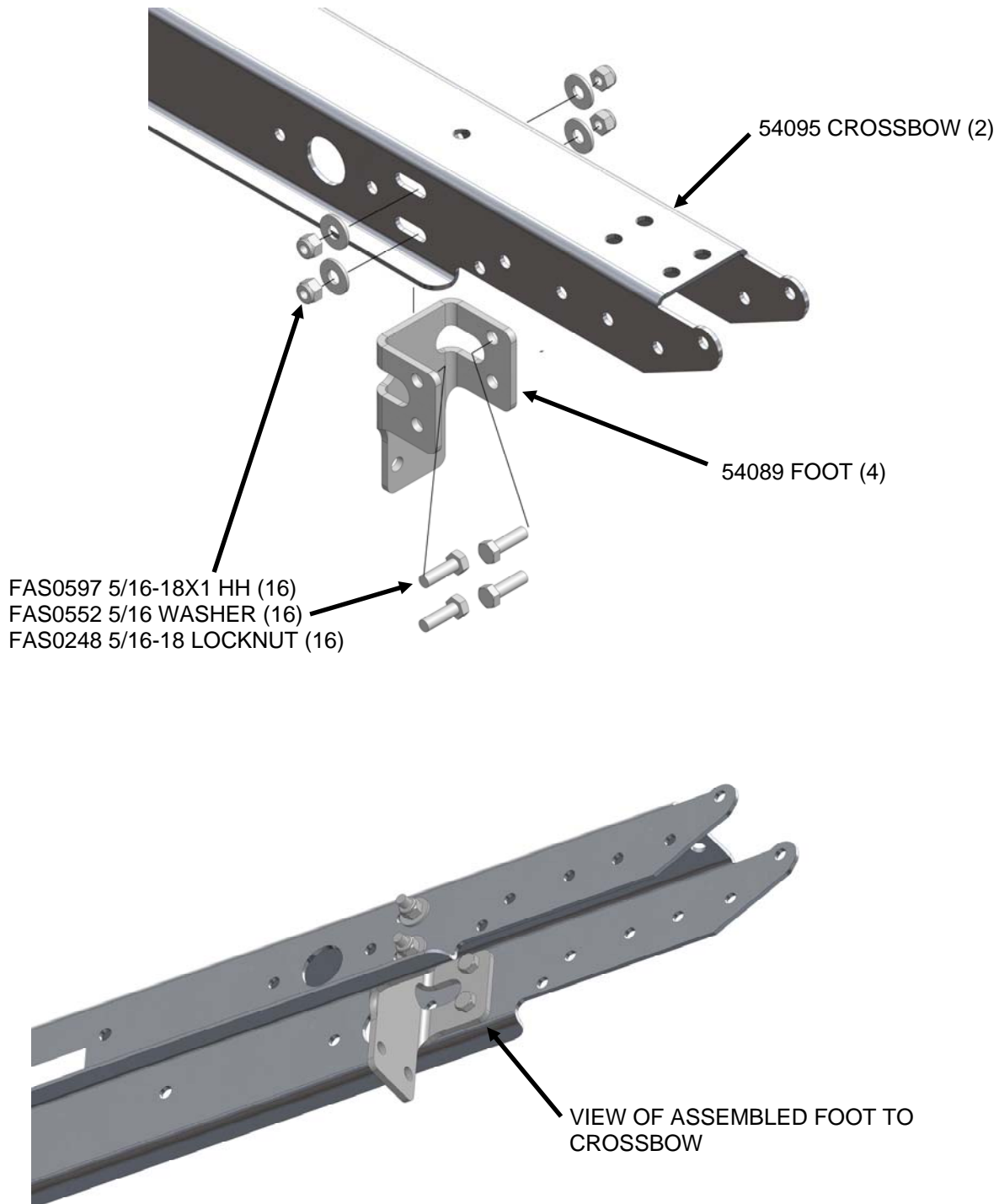
PIN AND PLATE PART OF ROOF ASSEMBLY



SHOWN ASSEMBLED

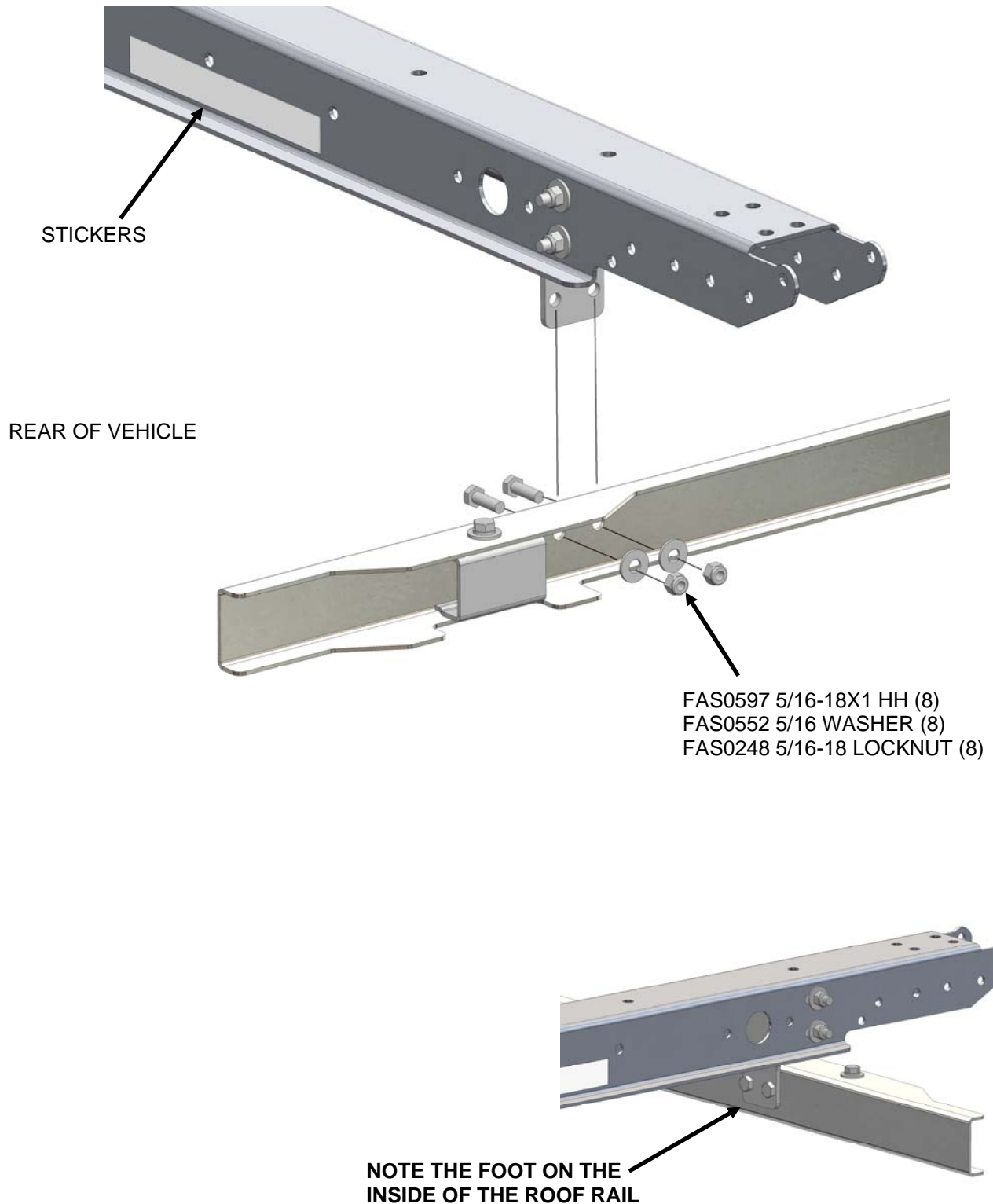
Step 03 ASSEMBLE (4) FEET TO (2) CROSSBOWS. DO NOT TIGHTEN FASTENERS AT THIS TIME. AFTER CROSSBOWS ARE ASSEMBLED ONTO THE ROOF RAILS YOU WILL TORQUE FASTENERS TO 10-12 FT LBS.

NOTE: PAY ATTENTION TO ORIENTATION OF THE FEET TO THE CROSSBOWS.



Step 04 ASSEMBLE THE FRONT AND REAR CROSSBOW'S TO THE ROOF RAILS. THE REAR ROOF BOW SHOULD HAVE THE STICKERS FACING THE REAR OF THE VEHICLE, THE FRONT CROSSBOW WILL HAVE THE STICKERS FACING THE FRONT OF THE VEHICLE. TORQUE FASTENERS TO 12-15 FT.LBS.

NOTE: PAY ATTENTION TO ORIENTATION OF THE FEET TO THE ROOF RAILS.



Step 05 YOUR ASSEMBLY SHOULD LOOK LIKE THE IMAGE BELOW



ATTENTION!
LADDER RACK PURCHASER

IT IS ADVISED THAT ALL FASTENERS THAT ASSEMBLE AND INSTALL YOUR LADDER RACK ARE CHECKED FOR TIGHTNESS AT 2 WEEKS OF OPERATION AND THEN RECHECKED AGAIN AT 6 WEEKS OF OPERATION.

ASSEMBLY FASTENERS COULD LOOSEN DURING USE DUE TO VIBRATION THROUGH YOUR VEHICLE WHILE ON THE ROAD OR IN AND OUT OF CONSTRUCTION SITES.

THIS IS A PREVENTATIVE MAINTENANCE STEP TO INSURE YOUR LADDER RACK GIVES YOU A LONG SERVICE LIFE.

**INSTALLER: PLEASE PRESENT THIS STATEMENT TO THE END USER WHEN DELIVERING THE INSTALLED PRODUCT!