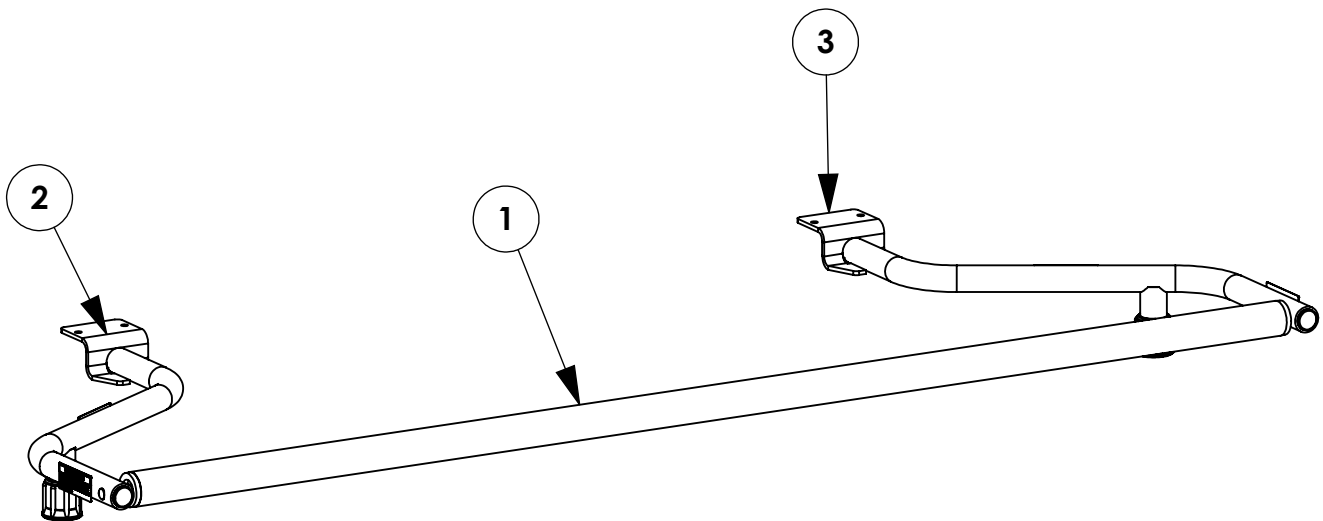


INSTR. NUMBER : <b>64344</b>	PG: <b>1</b>	REV: <b>D</b>	ITEM NO.	PART NUMBER	DESCRIPTION	
	PART NUMBER : <b>RRBFTW</b>		1	64174	REAR ROLLER,BAR ASSM,62"	1
PART DESC. : UTILITY,REAR ROLLER,FT,W			2	64158-W	REAR ROLLER,DS WELD,FT,W	1
			3	64159-W	REAR ROLLER,PS WELD,FT,W	1

**NOTE: THIS INSTRUCTION IS VALID FOR ALL "RRB" REAR ROLLER KITS:**

- RRBFTW (SHOWN)  
(& FORD TRANSIT SHIP THRU CONFIGURATION)
- RRBNVW
- RRBSPW
- RRBSPRW



**GET TO KNOW THE VEHICLE** - AT THE BEGINNING OF ANY INSTALLATION, CHECK THE LOCATION OF THE FUEL TANK, FUEL LINES, BRAKE LINES, HIGH VOLTAGE BATTERIES AND WIRING HARNESES TO AVOID INJURY OR PROPERTY DAMAGE FROM TOOL CONTACT.

**SEAL ALL EXTERIOR HOLES** - ALL INSTALLATION HOLES SHOULD BE SEALED WITH BUTYL TAPE OR SILICON TO PREVENT WATER AND EXHAUST GASES FROM ENTERING THE VEHICLE.

**CONTROL DRILL DEPTH** - TO AVOID DAMAGE TO THE VEHICLE, USE A DRILL STOP OR CLEARED STEP BIT WHEN DRILLING INSTALLATION HOLES.

**ALWAYS ADD PRIMER** - WHEN ADDING INSTALLATION HOLES BE SURE TO USE A SELF-ETCHING PRIMER TO PREVENT CORROSION, FASTENER FAILURE AND INJURY.

**MOUNTING POINTS MUST HAVE METAL-TO-METAL CONTACT** - USE PROVIDED MOUNTING SPACERS TO ACCOMMODATE FOR VEHICLE FEATURES, CARPET OR SUBFLOORS.

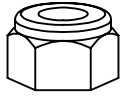
**PROVIDE CLEARANCE FOR SPACERS** - IF THE INSTALLATION VEHICLE CONTAINS A CARPET OR SUBFLOOR, USE A 1-3/16" DIAMETER CARPET CUTTER (P/N: 31183-0) AT ALL MOUNTING LOCATIONS TO OPEN UP ROOM FOR SPACERS.

**CHECK SPACER ORIENTATION** - BE SURE THAT THE INDENT IN THE SPACER COVERS THE PLUSNUT HEAD; THIS ENSURES THE MOST METAL-TO-METAL CONTACT AND REDUCES VIBRATION.

**PLUSNUT INSTALLATION** - A PLUSNUT GUN IS RECOMMENDED FOR PLUSNUT INSTALLATION FOR ITS PRODUCTION SPEED. HOWEVER, A PLUSNUT SETTING TOOL CAN ALSO BE USED (P/N: 22200-0).

**THRU-BOLT CLEARANCE** - WHEN USING A THRU-BOLT AT ANY MOUNTING LOCATION, BE SURE THAT YOUR HOLE HAS 1/16" CLEARANCE.

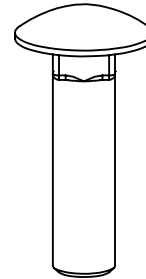
***FASTENERS USED***



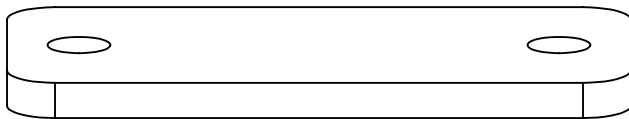
**FAS0248**  
**5/16-18 SS**  
**NLK HEX NUT**  
**QTY: 4**



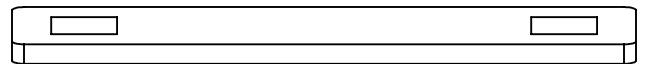
**FAS0552**  
**5/16 SS**  
**FLAT WASHER**  
**QTY: 4**



**FAS0812**  
**5/16-18X1.25 SS**  
**CRG BOLT**  
**QTY: 4**



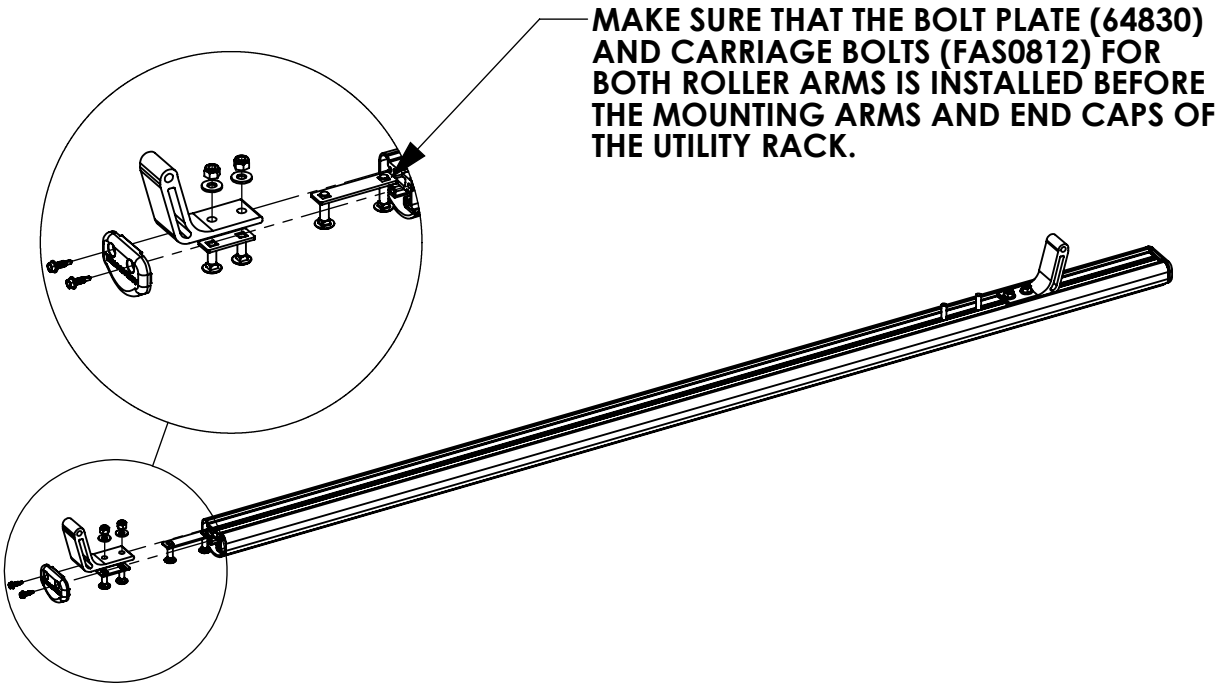
**64831**  
**SPACER,**  
**REAR ROLLER**  
**QTY: 2**



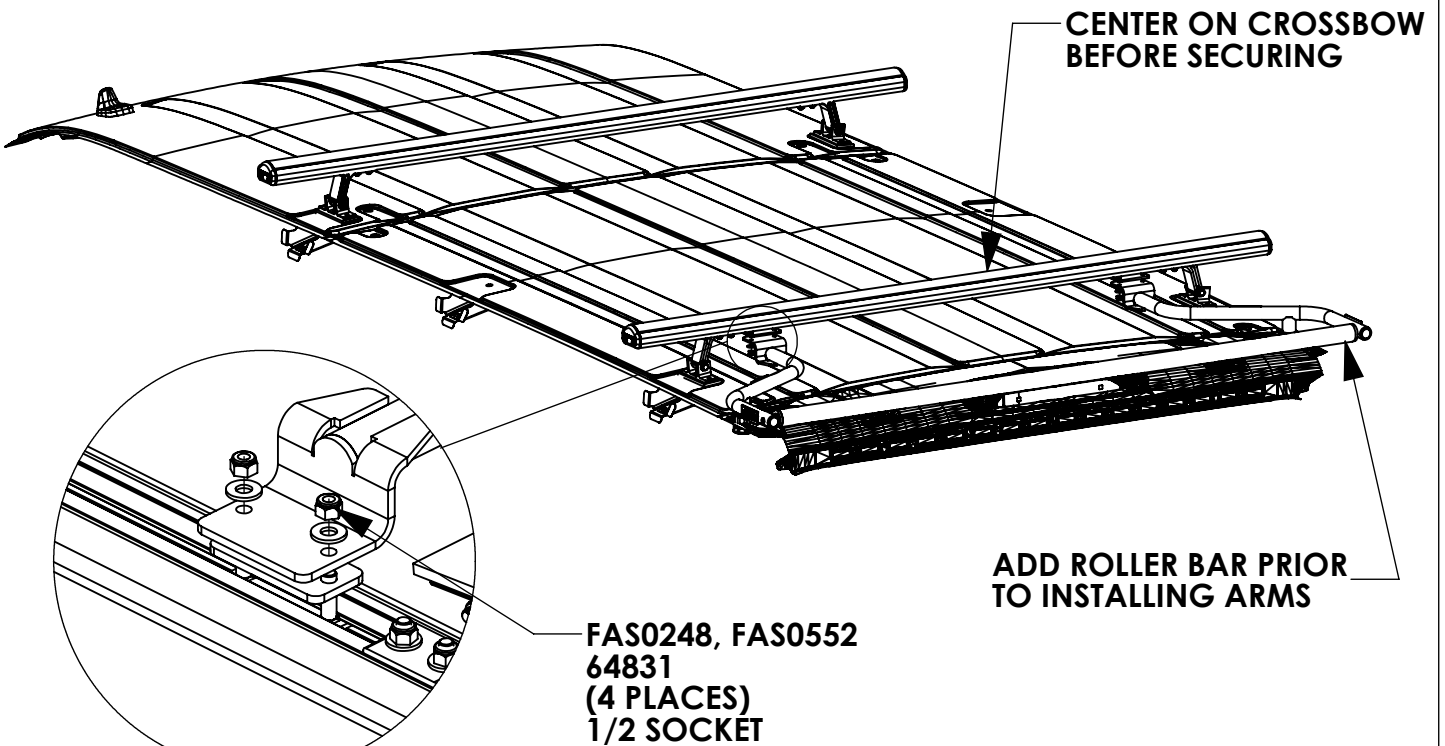
**63934**  
**NOLT PLATE,**  
**REAR ROLLER**  
**QTY: 2**

**BEGIN ASSEMBLY**

**STEP 1 - ATTACH ROLLER ARMS TO CROSSBOW**

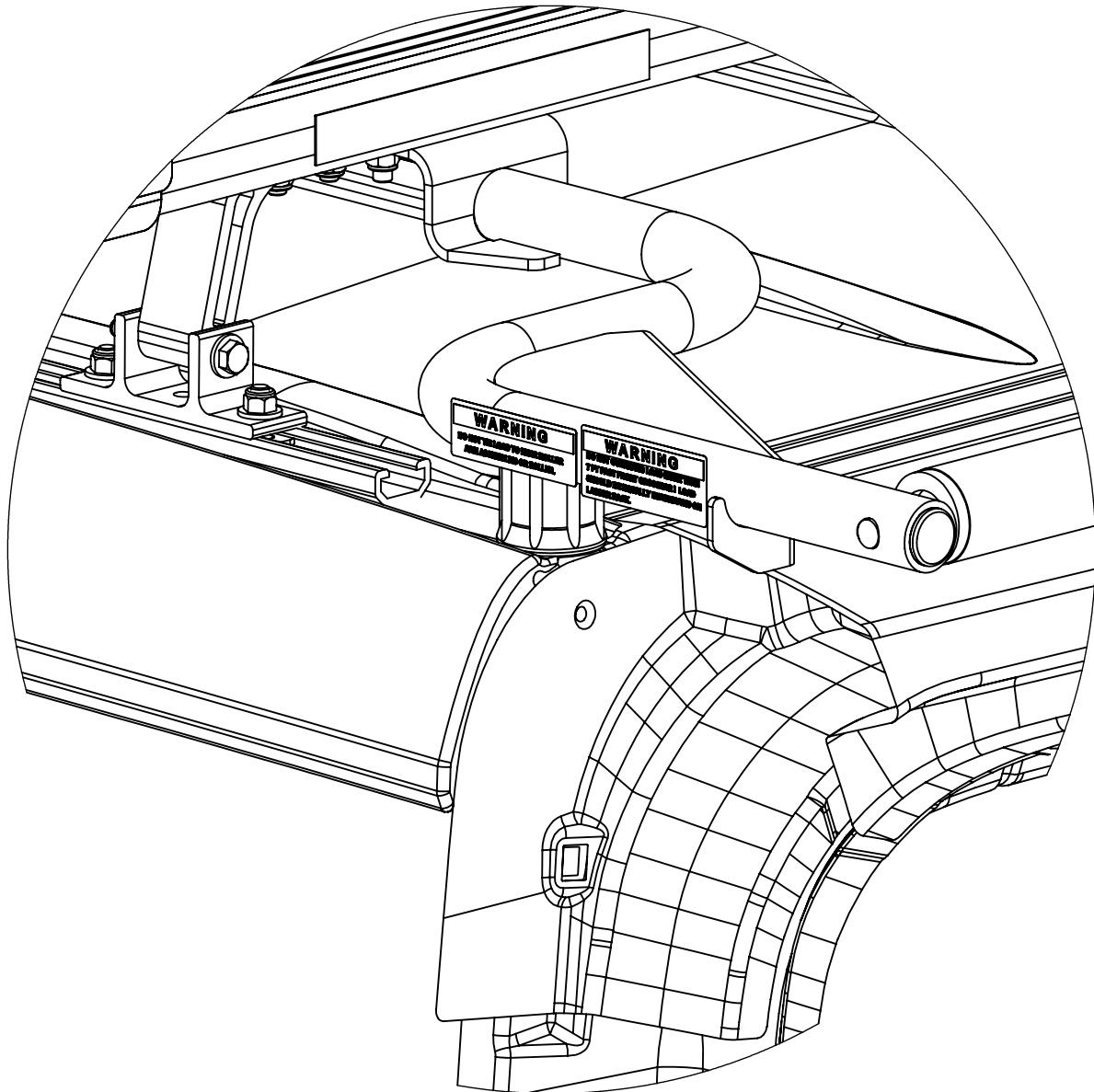


**STEP 2 - ADD ROLLER BAR & SECURE**



**NOTE: DETAIL VIEW IS FROM BOTTOM OF RACK**

**NOTE FOR RRBSPRW - MERCEDES SPRINTER WITH OEM ROOF RAILS**



**WHEN INSTALLING RRBSPRW ON MERCEDES OEM ROOF RAILS, ENSURE REAR CROSSBOW IS POSITIONED ON THE RAILS SO THE RUBBER SUPPORT IS POSITIONED AS SHOWN**