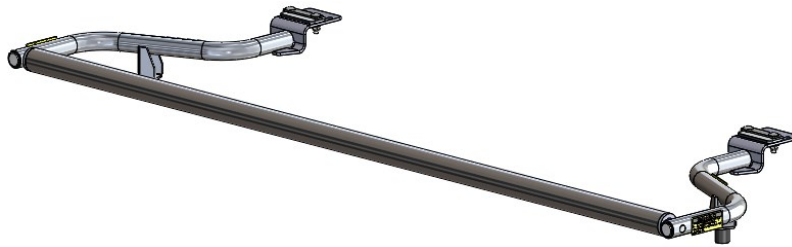




Rear Roller Assist Bar, White, ProMaster



PRODUCT WEIGHT
7.4 LBS

WIDTH x DEPTH x HEIGHT
65.3" x 21" x 4.6"

CAPACITY
250 LBS

COLOR
WHITE

CATALOG NUMBER
RRBPMW

PRODUCT FEATURES

Aluminum rear roller assist kit for Ram ProMaster PROFILE™ HD Utility Racks. Works with all upright kits and conduit kits. Does NOT work with Ram ProMaster specific rail kit.

Utility style ladder racks are not recommended for high roof vehicles!

Please refer to OEM specific mounting kit and rail kit for additional information on compatible accessories.

SEE PAGE 2 FOR APPLICATION NOTES AND ACCESSORIES, OTHER PRODUCTS THAT WORK WITH THIS UNIT.

PAGE 1 of 2

The information contained in this document is the sole property of ADRIAN STEEL COMPANY. ADRIAN STEEL COMPANY retains the right to modify and/or change the product of its design at any time without prior notification.



CATALOG NUMBER RRBPMW

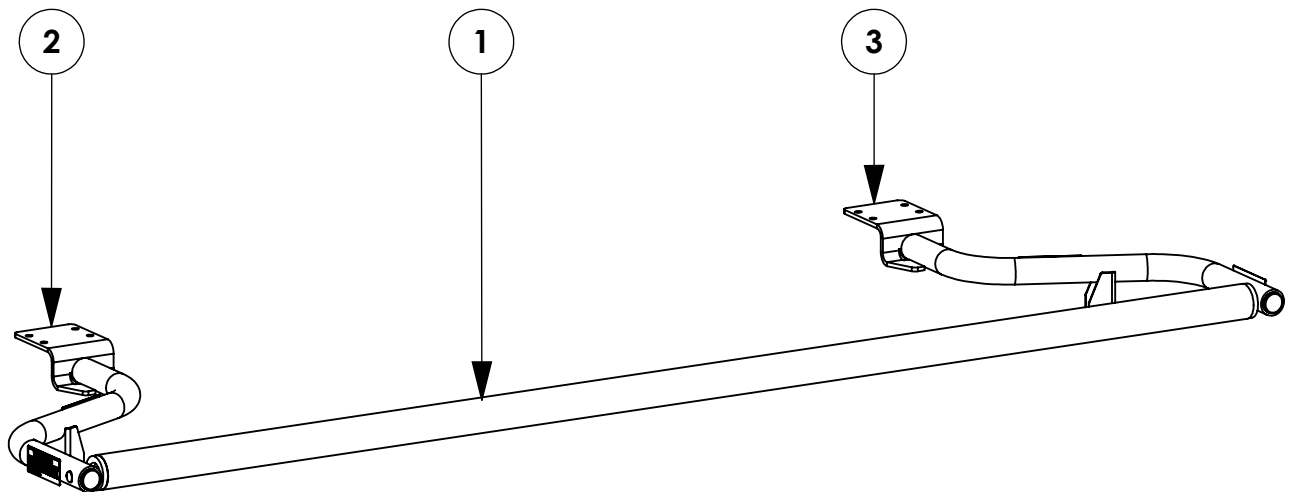
PRODUCT APPLICATION

This product is for Ram ProMaster PROFILE™ HD Utility Racks. Does NOT work with Ram ProMaster rail kit. Utility style ladder racks are not recommended for high roof vehicles!

ACCESSORIES THAT WILL WORK WITH THIS PRODUCT

<i>CATALOG NUMBER</i>	<i>DESCRIPTION</i>
2BARW	2-Crossbar Kit, 68”, White, Full Size Van
PMMBK4W	Mounting Bracket Kit, 4-Pack, White, ProMaster

<i>INSTR. NUMBER</i> : 64955	<i>PG:</i> 1	<i>REV:</i> B	<i>ITEM NO.</i>	<i>PART NUMBER</i>	<i>DESCRIPTION</i>	
			1	64174	REAR ROLLER,BAR ASSM,62"	1
<i>PART NUMBER</i> : RRBPMW			2	64161-W	REAR ROLLER,DS WELD,PM,W	1
<i>PART DESC.</i> : UTILITY,REAR ROLLER,PM,W			3	64162-W	REAR ROLLER,PS WELD,PM,W	1



GET TO KNOW THE VEHICLE - AT THE BEGINNING OF ANY INSTALLATION, CHECK THE LOCATION OF THE FUEL TANK, FUEL LINES, BRAKE LINES, HIGH VOLTAGE BATTERIES AND WIRING HARNESES TO AVOID INJURY OR PROPERTY DAMAGE FROM TOOL CONTACT.

SEAL ALL EXTERIOR HOLES - ALL INSTALLATION HOLES SHOULD BE SEALED WITH BUTYL TAPE OR SILICON TO PREVENT WATER AND EXHAUST GASES FROM ENTERING THE VEHICLE.

CONTROL DRILL DEPTH - TO AVOID DAMAGE TO THE VEHICLE, USE A DRILL STOP OR CLEARED STEP BIT WHEN DRILLING INSTALLATION HOLES.

ALWAYS ADD PRIMER - WHEN ADDING INSTALLATION HOLES BE SURE TO USE A SELF-ETCHING PRIMER TO PREVENT CORROSION, FASTENER FAILURE AND INJURY.

MOUNTING POINTS MUST HAVE METAL-TO-METAL CONTACT - USE PROVIDED MOUNTING SPACERS TO ACCOMMODATE FOR VEHICLE FEATURES, CARPET OR SUBFLOORS.

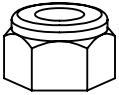
PROVIDE CLEARANCE FOR SPACERS - IF THE INSTALLATION VEHICLE CONTAINS A CARPET OR SUBFLOOR, USE A 1-3/16" DIAMETER CARPET CUTTER (P/N: 31183-0) AT ALL MOUNTING LOCATIONS TO OPEN UP ROOM FOR SPACERS.

CHECK SPACER ORIENTATION - BE SURE THAT THE INDENT IN THE SPACER COVERS THE PLUSNUT HEAD; THIS ENSURES THE MOST METAL-TO-METAL CONTACT AND REDUCES VIBRATION.

PLUSNUT INSTALLATION - A PLUSNUT GUN IS RECOMMENDED FOR PLUSNUT INSTALLATION FOR ITS PRODUCTION SPEED. HOWEVER, A PLUSNUT SETTING TOOL CAN ALSO BE USED (P/N: 22200-0).

THRU-BOLT CLEARANCE - WHEN USING A THRU-BOLT AT ANY MOUNTING LOCATION, BE SURE THAT YOUR HOLE HAS 1/16" CLEARANCE.

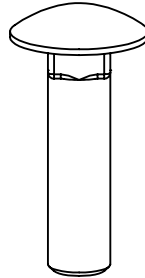
FASTENERS USED



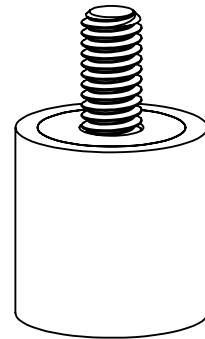
FAS0248
5/16-18 SS
NLK HEX NUT
QTY: 4



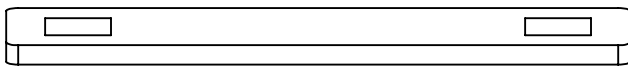
FAS0552
5/16 SS
FLAT WASHER
QTY: 4



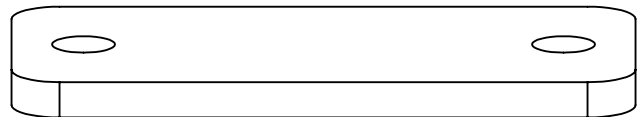
FAS0812
5/16-18X1.25 SS
CRG BOLT
QTY: 4



56098
1 X 1
BUMPER STUD
QTY: 2



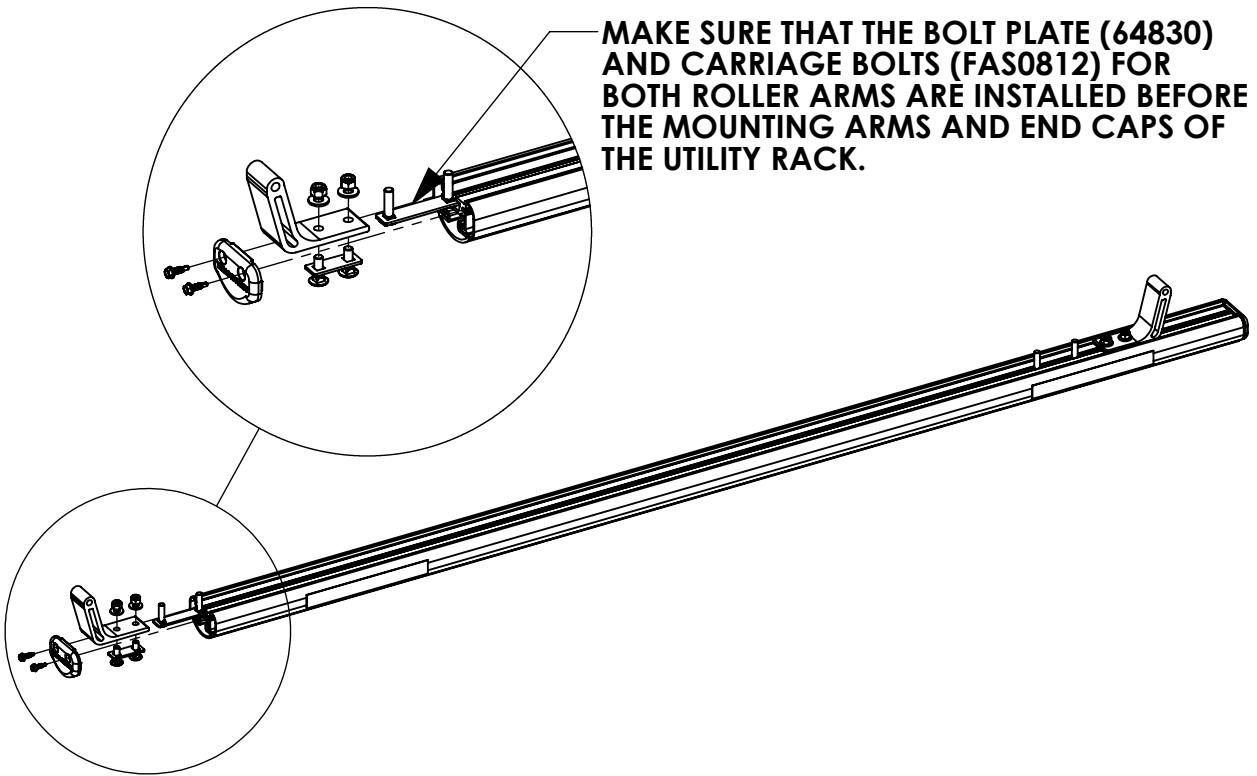
64830
REAR ROLLER
BOLT PLATE
QTY: 2



64831
REAR ROLLER
SPACER
QTY: 2

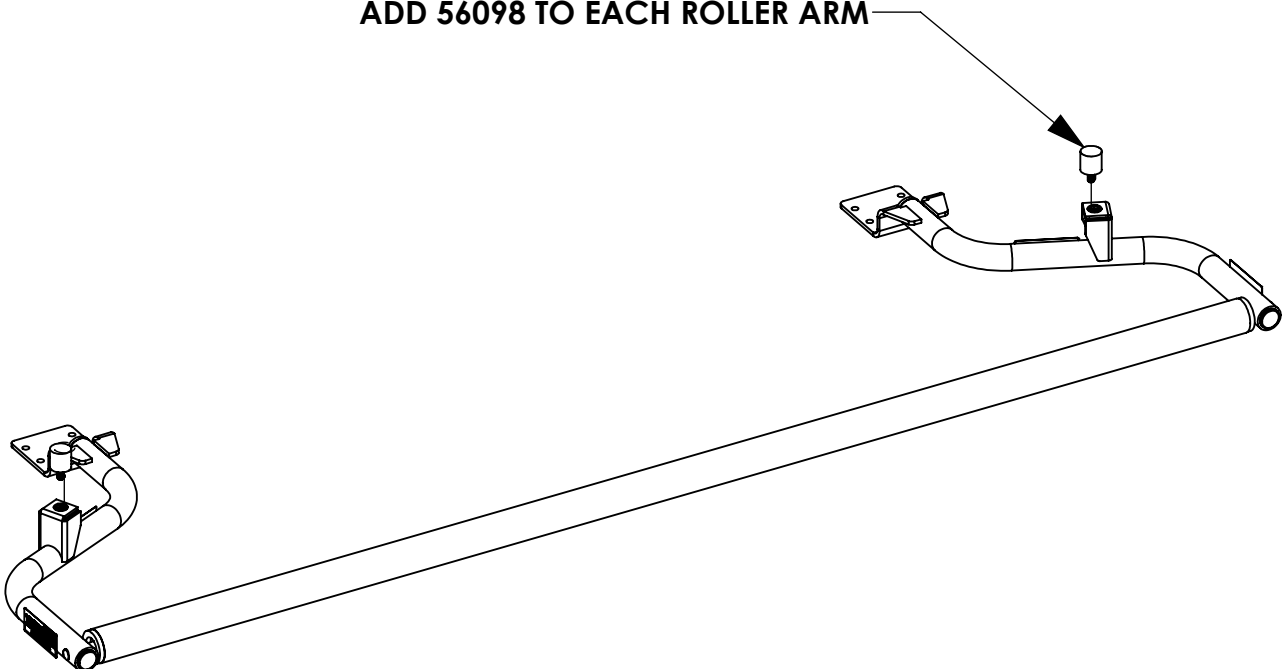
BEGIN ASSEMBLY

STEP 1 - ATTACH ROLLER ARMS TO CROSSBOW

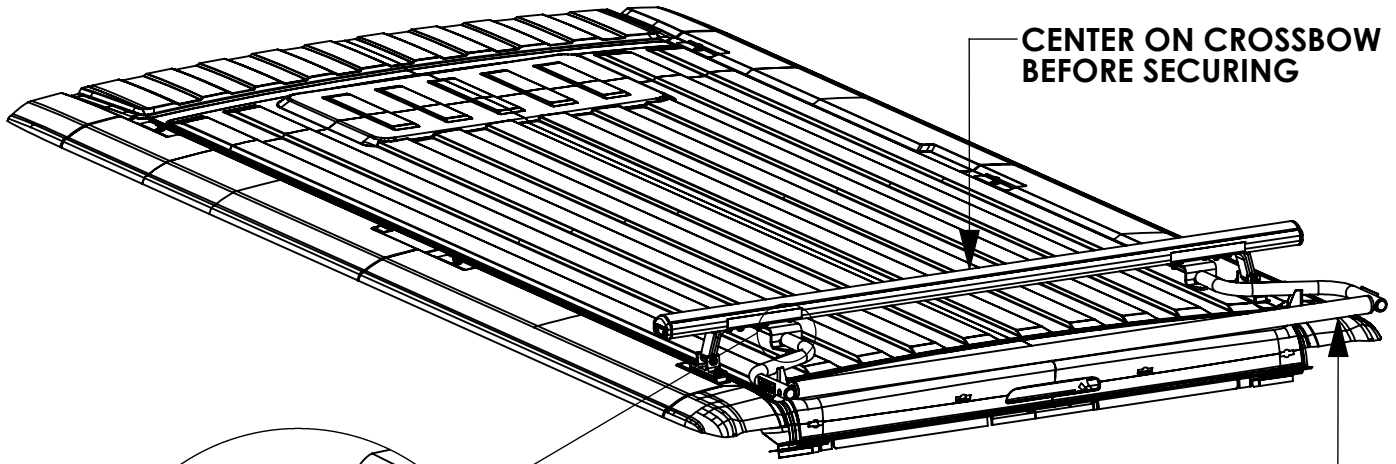


STEP 2 - ADD ROLLER BAR & SECURE

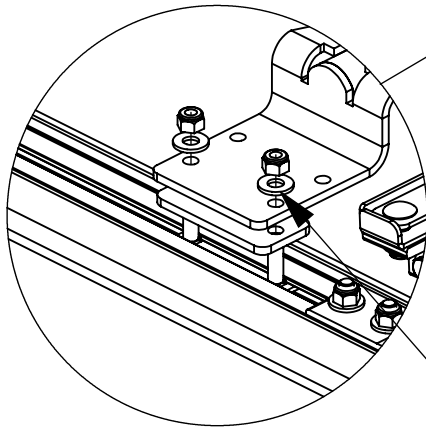
ADD 56098 TO EACH ROLLER ARM



BEGIN INSTALL
STEP 3 - ATTACH ROLLER ARMS TO CROSSBOW



CENTER ON CROSSBOW
BEFORE SECURING

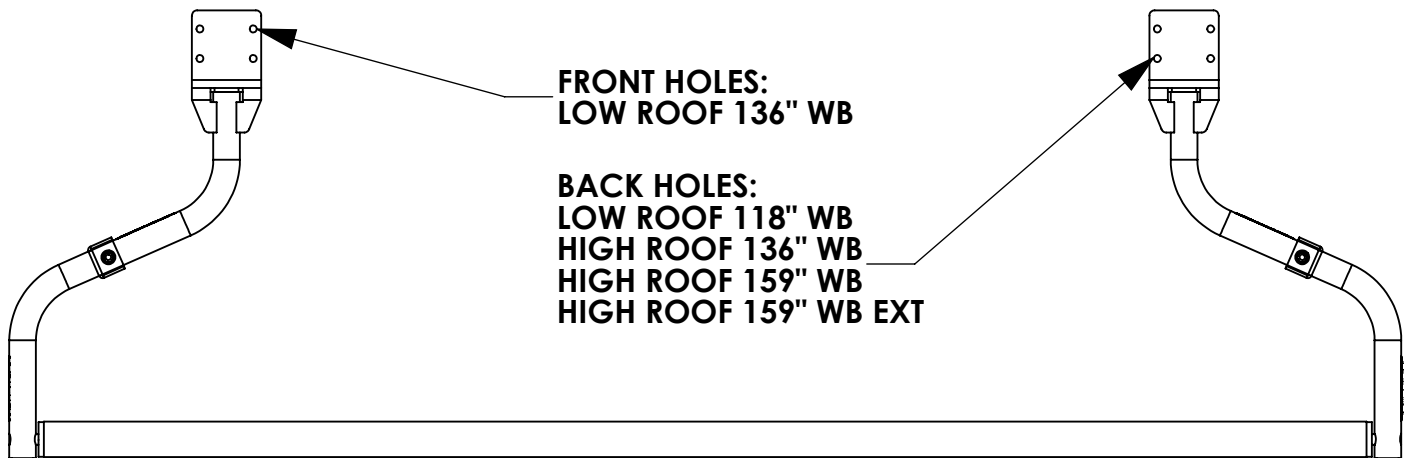


ADD ROLLER BAR
PRIOR TO INSTALLING
ARMS

FAS0248, FAS0552
64831
(4 PLACES)
1/2 SOCKET

NOTE: DETAIL VIEW IS
FROM BOTTOM OF RACK

ENSURE THE RUBBER BUMPERS SIT AS FAR INBOARD IN THE
VEHICLE ROOF TROUGH BEFORE FULLY TIGHTENING!



FRONT HOLES:
LOW ROOF 136" WB

BACK HOLES:
LOW ROOF 118" WB
HIGH ROOF 136" WB
HIGH ROOF 159" WB
HIGH ROOF 159" WB EXT