



Rear Roller Assist Bar, White, Express, Savana

PRODUCT WEIGHT
7.6 LBS

WIDTH x DEPTH x HEIGHT
65.3" x 23.4" x 5.3"



CAPACITY
250 LBS

COLOR
WHITE

CATALOG NUMBER
RRBGMW

PRODUCT FEATURES

Aluminum rear roller assist kit for GM Express/Savana PROFILE™ HD Utility Racks. Works with all upright kits and conduit kits.

Please refer to OEM specific mounting kit and rail kit for additional information on compatible accessories.

SEE PAGE 2 FOR APPLICATION NOTES AND ACCESSORIES, OTHER PRODUCTS THAT WORK WITH THIS UNIT.

PAGE 1 of 2

The information contained in this document is the sole property of ADRIAN STEEL COMPANY. ADRIAN STEEL COMPANY retains the right to modify and/or change the product of its design at any time without prior notification.



CATALOG NUMBER **RRBGMW**

PRODUCT APPLICATION

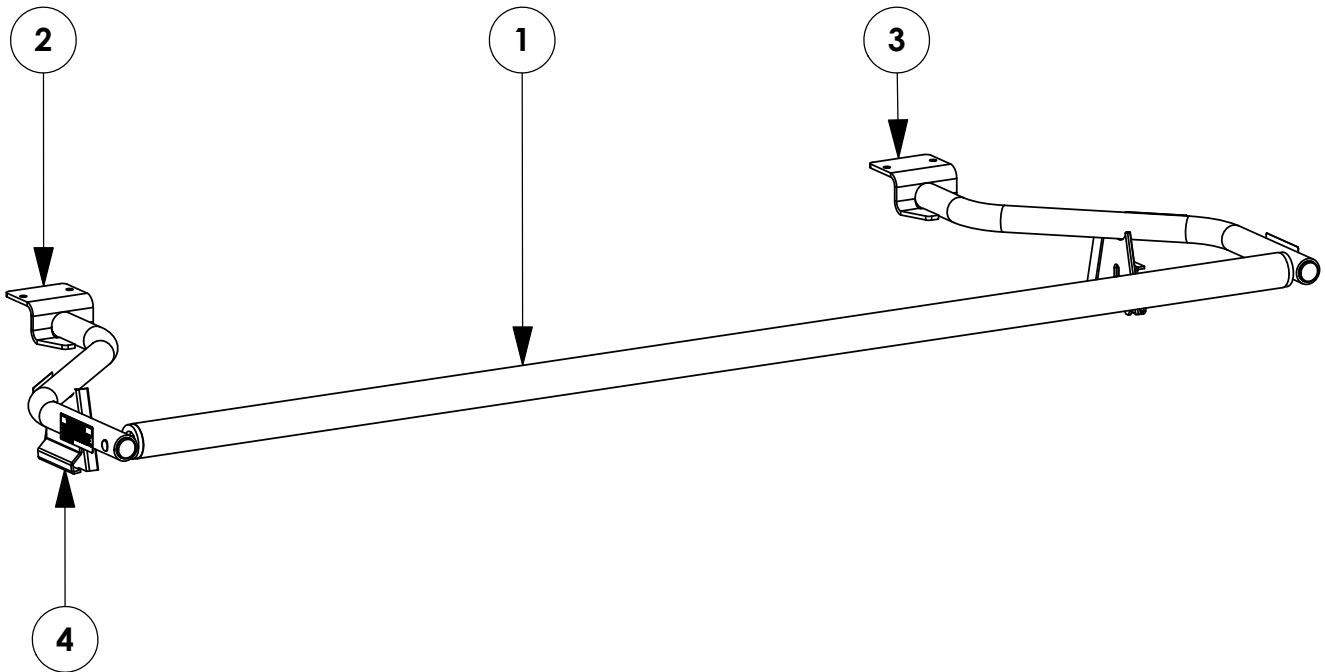
This product is for GM Express/Savana PROFILE™ HD Utility Racks.

ACCESSORIES THAT WILL WORK WITH THIS PRODUCT

<i>CATALOG NUMBER</i>	<i>DESCRIPTION</i>
2BARW	2-Crossbar Kit, 68”, White, Full Size Van
GMMBK4W	Mounting Bracket Kit, 4-Pack, White, Express, Savana

INSTR. NUMBER	PG:	REV:	ITEM NO.	PART NUMBER	DESCRIPTION	QTY.
: 64956	1	B	1	64174	REAR ROLLER,BAR ASSM,62"	1
			2	64168-W	REAR ROLLER,DS WELD,GM,W	1
PART NUMBER : RRBGMW			3	64169-W	REAR ROLLER,PS WELD,GM,W	1
PART DESC. : UTILITY,REAR ROLLER,GM,W			4	22856-0	FOOT CLAMP - GMT600,WHITE	2

**NOTE: (IF NECESSARY,
DELETE IF NOT USED)**



GET TO KNOW THE VEHICLE - AT THE BEGINNING OF ANY INSTALLATION, CHECK THE LOCATION OF THE FUEL TANK, FUEL LINES, BRAKE LINES, HIGH VOLTAGE BATTERIES AND WIRING HARNESSSES TO AVOID INJURY OR PROPERTY DAMAGE FROM TOOL CONTACT.

SEAL ALL EXTERIOR HOLES - ALL INSTALLATION HOLES SHOULD BE SEALED WITH BUTYL TAPE OR SILICON TO PREVENT WATER AND EXHAUST GASES FROM ENTERING THE VEHICLE.

CONTROL DRILL DEPTH - TO AVOID DAMAGE TO THE VEHICLE, USE A DRILL STOP OR CLEARED STEP BIT WHEN DRILLING INSTALLATION HOLES.

ALWAYS ADD PRIMER - WHEN ADDING INSTALLATION HOLES BE SURE TO USE A SELF-ETCHING PRIMER TO PREVENT CORROSION, FASTENER FAILURE AND INJURY.

MOUNTING POINTS MUST HAVE METAL-TO-METAL CONTACT - USE PROVIDED MOUNTING SPACERS TO ACCOMMODATE FOR VEHICLE FEATURES, CARPET OR SUBFLOORS.

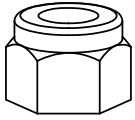
PROVIDE CLEARANCE FOR SPACERS - IF THE INSTALLATION VEHICLE CONTAINS A CARPET OR SUBFLOOR, USE A 1-3/16" DIAMETER CARPET CUTTER (P/N: 31183-0) AT ALL MOUNTING LOCATIONS TO OPEN UP ROOM FOR SPACERS.

CHECK SPACER ORIENTATION - BE SURE THAT THE INDENT IN THE SPACER COVERS THE PLUSNUT HEAD; THIS ENSURES THE MOST METAL-TO-METAL CONTACT AND REDUCES VIBRATION.

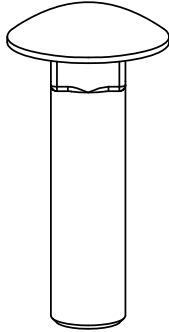
PLUSNUT INSTALLATION - A PLUSNUT GUN IS RECOMMENDED FOR PLUSNUT INSTALLATION FOR ITS PRODUCTION SPEED. HOWEVER, A PLUSNUT SETTING TOOL CAN ALSO BE USED (P/N: 22200-0).

THRU-BOLT CLEARANCE - WHEN USING A THRU-BOLT AT ANY MOUNTING LOCATION, BE SURE THAT YOUR HOLE HAS 1/16" CLEARANCE.

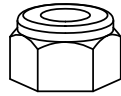
FASTENERS USED



FAS0110
3/8-16 SS
NLK HEX NUT
QTY: 2



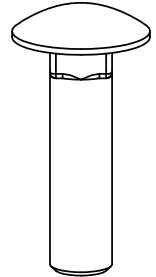
FAS0117
3/8-16X1.5 SS
CRG BOLT
QTY: 2



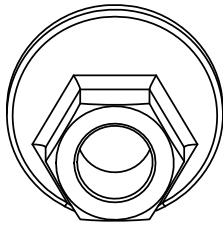
FAS0248
5/16-18 SS
NLK HEX NUT
QTY: 4



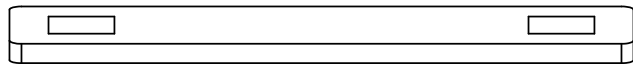
FAS0552
5/16 SS
FLAT WASHER
QTY: 4



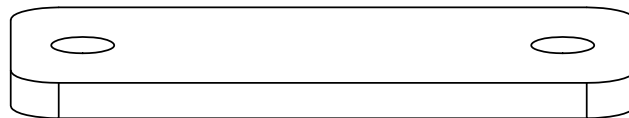
FAS0812
5/16-18 SS
CRG BOLT
QTY: 4



07466-0
ADJUSTING
CAM NUT
QTY: 2



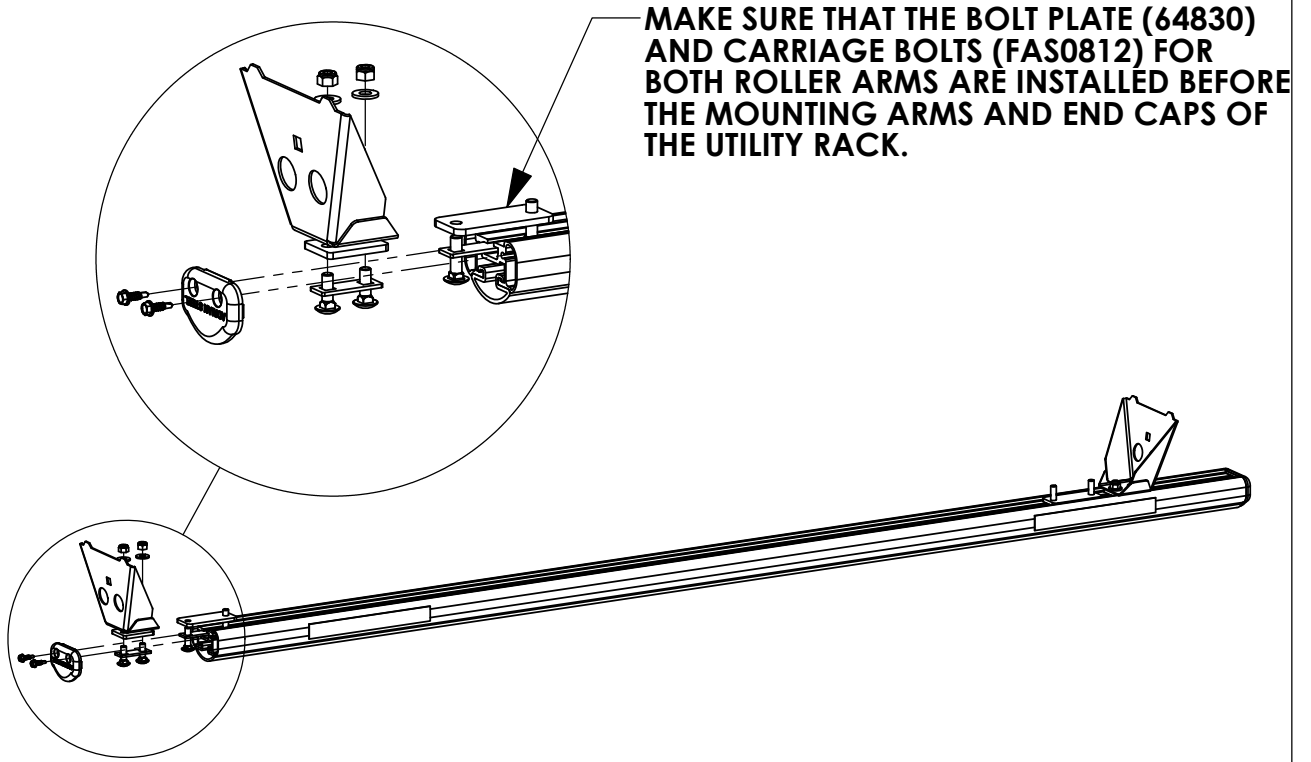
64830
REAR ROLLER
BOLT PLATE
QTY: 2



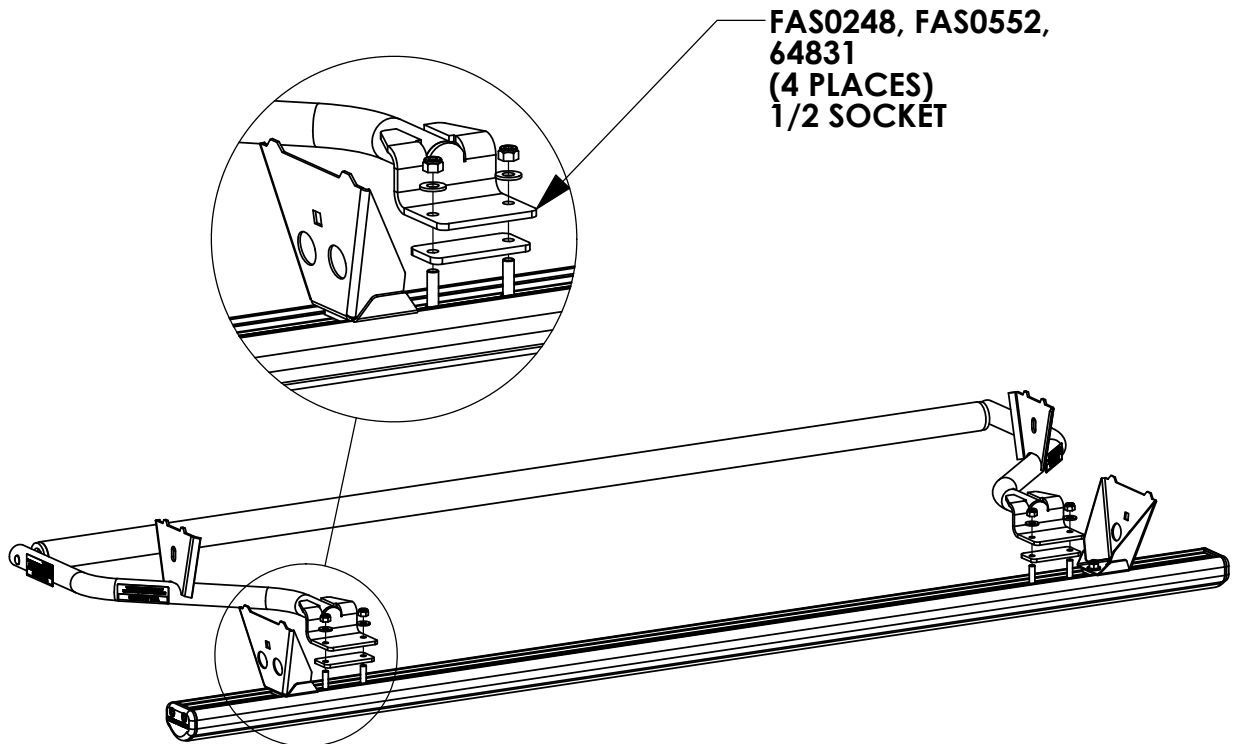
64831
REAR ROLLER
SPACER
QTY: 2

BEGIN ASSEMBLY

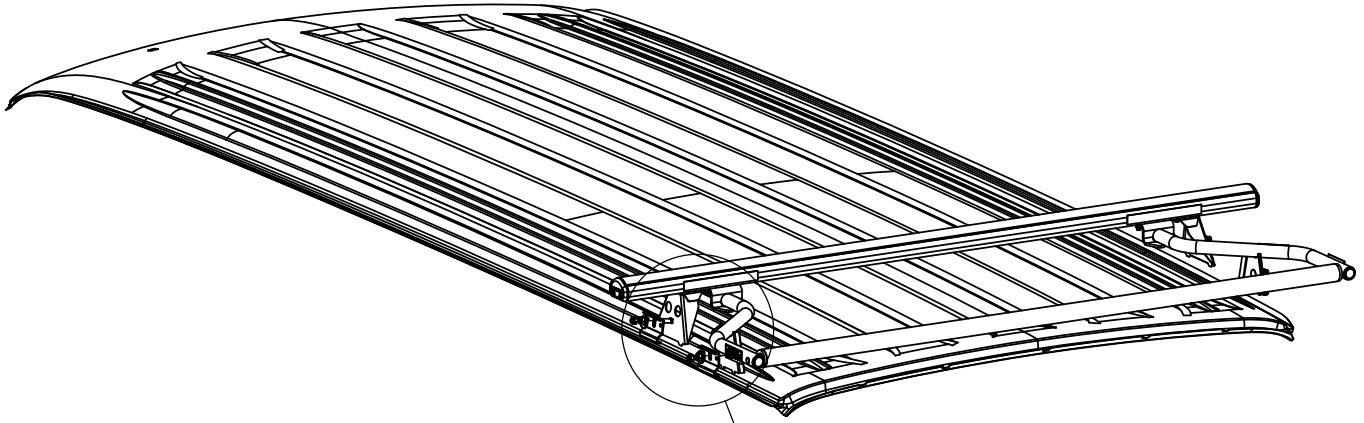
STEP 1 - ATTACH ROLLER ARMS TO CROSSBOW



STEP 2 - ADD ROLLER BAR & SECURE

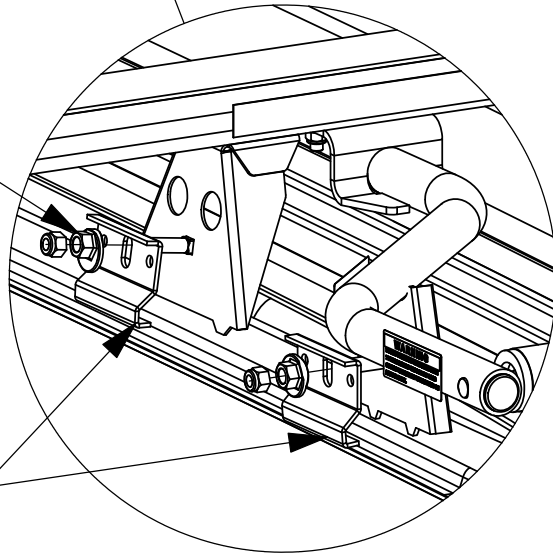


**BEGIN INSTALLATION
STEP 3 - SECURE ROLLER ARMS TO ROOF**

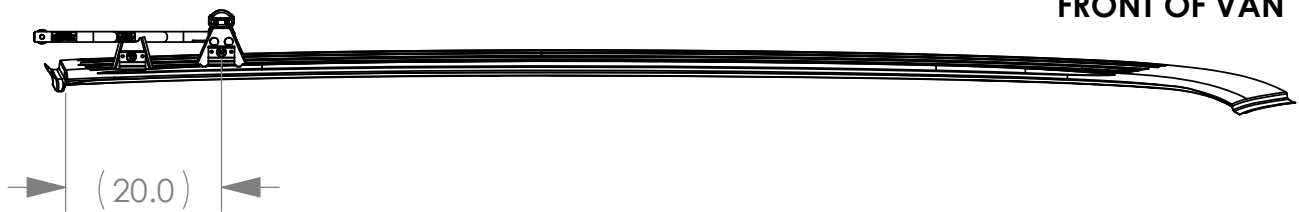


**DO NOT OVERTIGHTEN
ECCENTRIC WASHER!**

**FAS0110, 07466-0,
FAS0117
(2 PLACES PER CROSSBOW)
(2 PLACES PER ROLLER)
9/16 SOCKET
5/8 WRENCH**



CROSSBOW PLACEMENT MEASUREMENT



FRONT OF VAN

(20.0)