



Rear Roller Assist Bar, White, Transit



PRODUCT WEIGHT
8.4 LBS

WIDTH x DEPTH x HEIGHT
65.4" x 24" x 4.8"

CAPACITY
250 LBS

COLOR
WHITE

CATALOG NUMBER
RRBFTW

PRODUCT FEATURES

Aluminum rear roller assist kit for Ford Transit PROFILE™ HD Utility Racks. Works with all upright kits and conduit kits. Does NOT work with high roof 148" wheelbase extended vehicles. Does NOT work with Ford Transit specific rail kit.

Utility style ladder racks are not recommended for medium and high roof vehicles!

Please refer to OEM specific mounting kit and rail kit for additional information on compatible accessories.

SEE PAGE 2 FOR APPLICATION NOTES AND ACCESSORIES, OTHER PRODUCTS THAT WORK WITH THIS UNIT.

PAGE 1 of 2

The information contained in this document is the sole property of ADRIAN STEEL COMPANY. ADRIAN STEEL COMPANY retains the right to modify and/or change the product of its design at any time without prior notification.



CATALOG NUMBER RRBFTW

PRODUCT APPLICATION

This product is for Ford Transit PROFILE™ HD Utility Racks. Does NOT work with high roof 148" wheelbase extended vehicles. Does NOT work with Ford Transit rail kit. Utility style ladder racks are not recommended for medium or high roof vehicles!

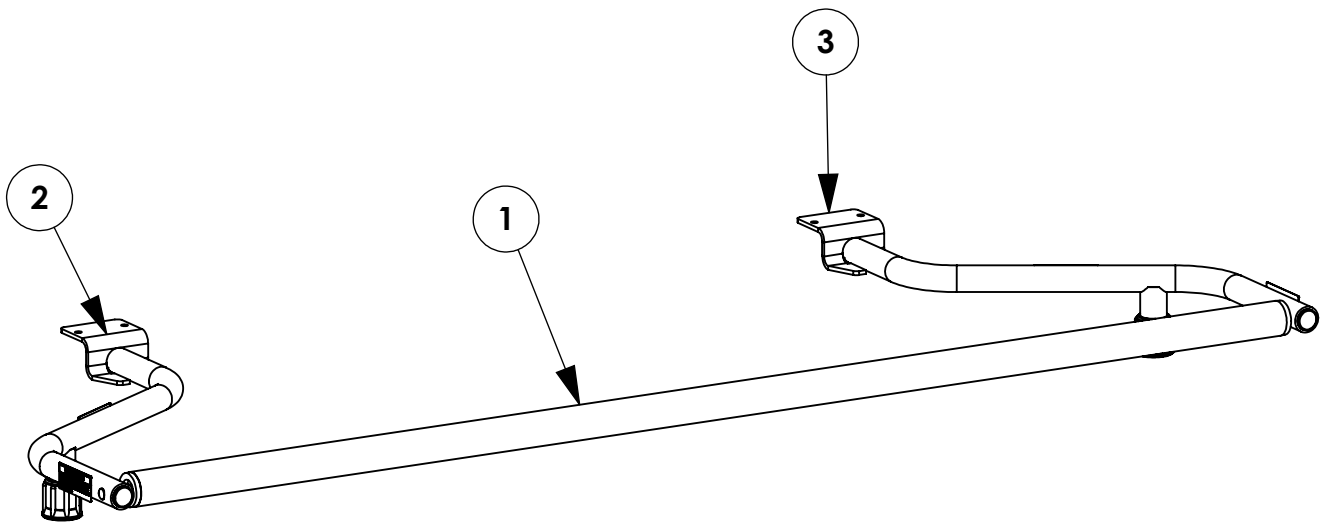
ACCESSORIES THAT WILL WORK WITH THIS PRODUCT

<i>CATALOG NUMBER</i>	<i>DESCRIPTION</i>
2BARW	2-Crossbar Kit, 68", White, Full Size Van
FTMBK4W	Mounting Bracket Kit, 4-Pack, White, Transit

INSTR. NUMBER : 64344	PG: 1	REV: D	ITEM NO.	PART NUMBER	DESCRIPTION	
	PART NUMBER : RRBFTW		1	64174	REAR ROLLER,BAR ASSM,62"	1
PART DESC. : UTILITY,REAR ROLLER,FT,W			2	64158-W	REAR ROLLER,DS WELD,FT,W	1
			3	64159-W	REAR ROLLER,PS WELD,FT,W	1

NOTE: THIS INSTRUCTION IS VALID FOR ALL "RRB" REAR ROLLER KITS:

- RRBFTW (SHOWN)
 (& FORD TRANSIT SHIP THRU CONFIGURATION)
- RRBNVW
- RRBSPW
- RRBSPRW



GET TO KNOW THE VEHICLE - AT THE BEGINNING OF ANY INSTALLATION, CHECK THE LOCATION OF THE FUEL TANK, FUEL LINES, BRAKE LINES, HIGH VOLTAGE BATTERIES AND WIRING HARNESES TO AVOID INJURY OR PROPERTY DAMAGE FROM TOOL CONTACT.

SEAL ALL EXTERIOR HOLES - ALL INSTALLATION HOLES SHOULD BE SEALED WITH BUTYL TAPE OR SILICON TO PREVENT WATER AND EXHAUST GASES FROM ENTERING THE VEHICLE.

CONTROL DRILL DEPTH - TO AVOID DAMAGE TO THE VEHICLE, USE A DRILL STOP OR CLEARED STEP BIT WHEN DRILLING INSTALLATION HOLES.

ALWAYS ADD PRIMER - WHEN ADDING INSTALLATION HOLES BE SURE TO USE A SELF-ETCHING PRIMER TO PREVENT CORROSION, FASTENER FAILURE AND INJURY.

MOUNTING POINTS MUST HAVE METAL-TO-METAL CONTACT - USE PROVIDED MOUNTING SPACERS TO ACCOMMODATE FOR VEHICLE FEATURES, CARPET OR SUBFLOORS.

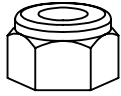
PROVIDE CLEARANCE FOR SPACERS - IF THE INSTALLATION VEHICLE CONTAINS A CARPET OR SUBFLOOR, USE A 1-3/16" DIAMETER CARPET CUTTER (P/N: 31183-0) AT ALL MOUNTING LOCATIONS TO OPEN UP ROOM FOR SPACERS.

CHECK SPACER ORIENTATION - BE SURE THAT THE INDENT IN THE SPACER COVERS THE PLUSNUT HEAD; THIS ENSURES THE MOST METAL-TO-METAL CONTACT AND REDUCES VIBRATION.

PLUSNUT INSTALLATION - A PLUSNUT GUN IS RECOMMENDED FOR PLUSNUT INSTALLATION FOR ITS PRODUCTION SPEED. HOWEVER, A PLUSNUT SETTING TOOL CAN ALSO BE USED (P/N: 22200-0).

THRU-BOLT CLEARANCE - WHEN USING A THRU-BOLT AT ANY MOUNTING LOCATION, BE SURE THAT YOUR HOLE HAS 1/16" CLEARANCE.

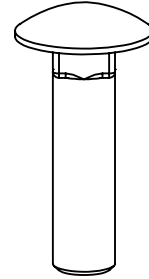
FASTENERS USED



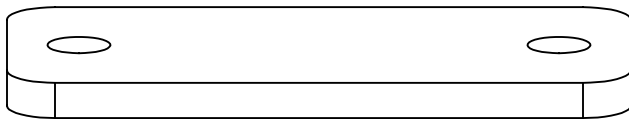
FAS0248
5/16-18 SS
NLK HEX NUT
QTY: 4



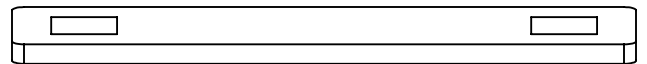
FAS0552
5/16 SS
FLAT WASHER
QTY: 4



FAS0812
5/16-18X1.25 SS
CRG BOLT
QTY: 4



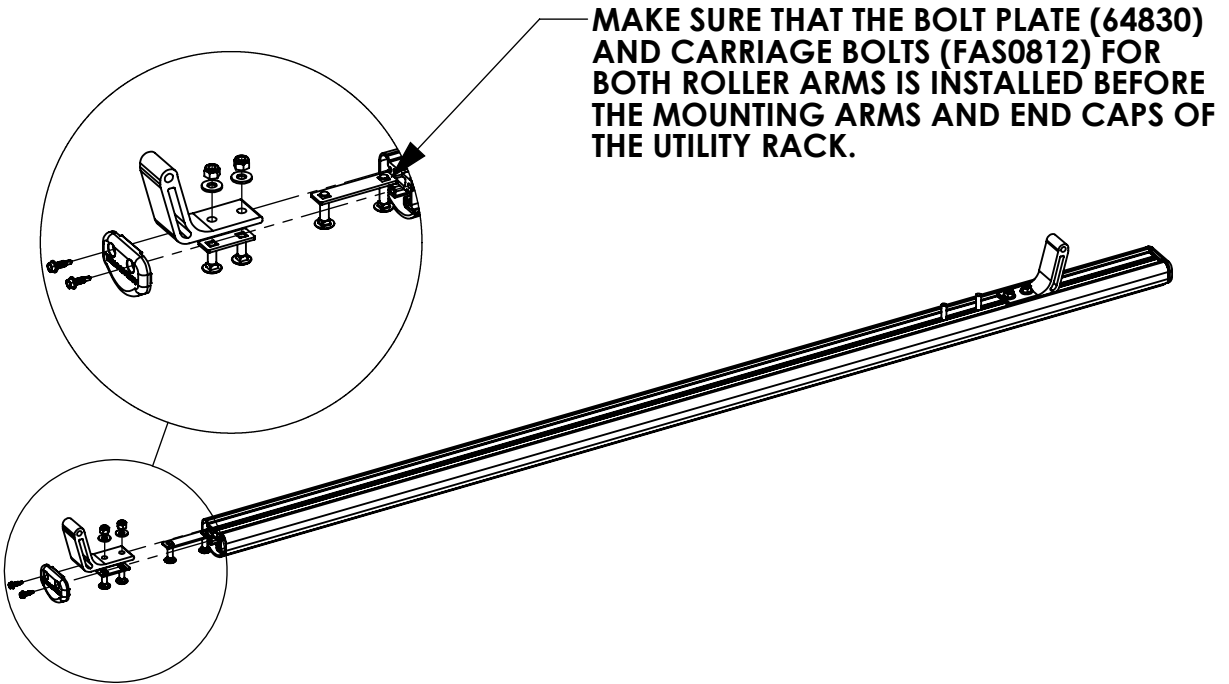
64831
SPACER,
REAR ROLLER
QTY: 2



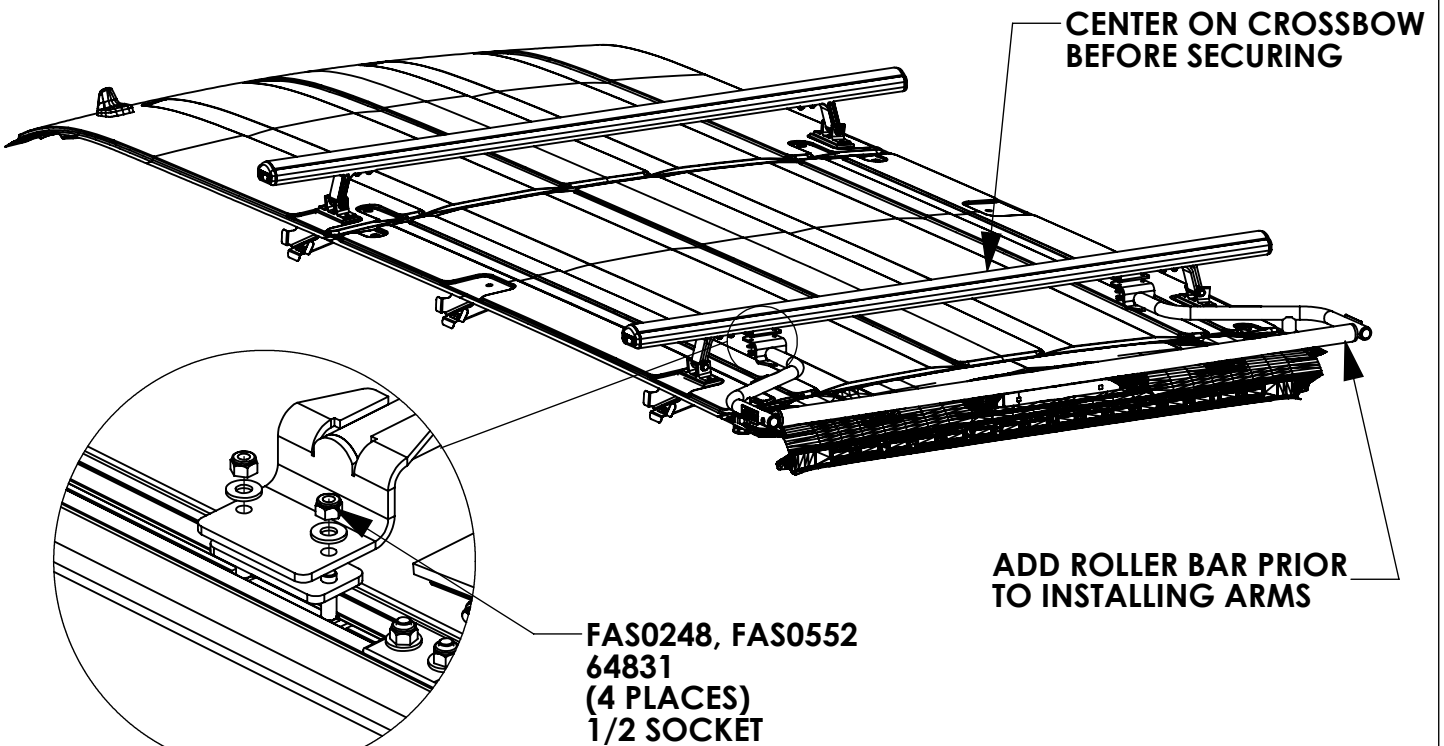
63934
NOLT PLATE,
REAR ROLLER
QTY: 2

BEGIN ASSEMBLY

STEP 1 - ATTACH ROLLER ARMS TO CROSSBOW

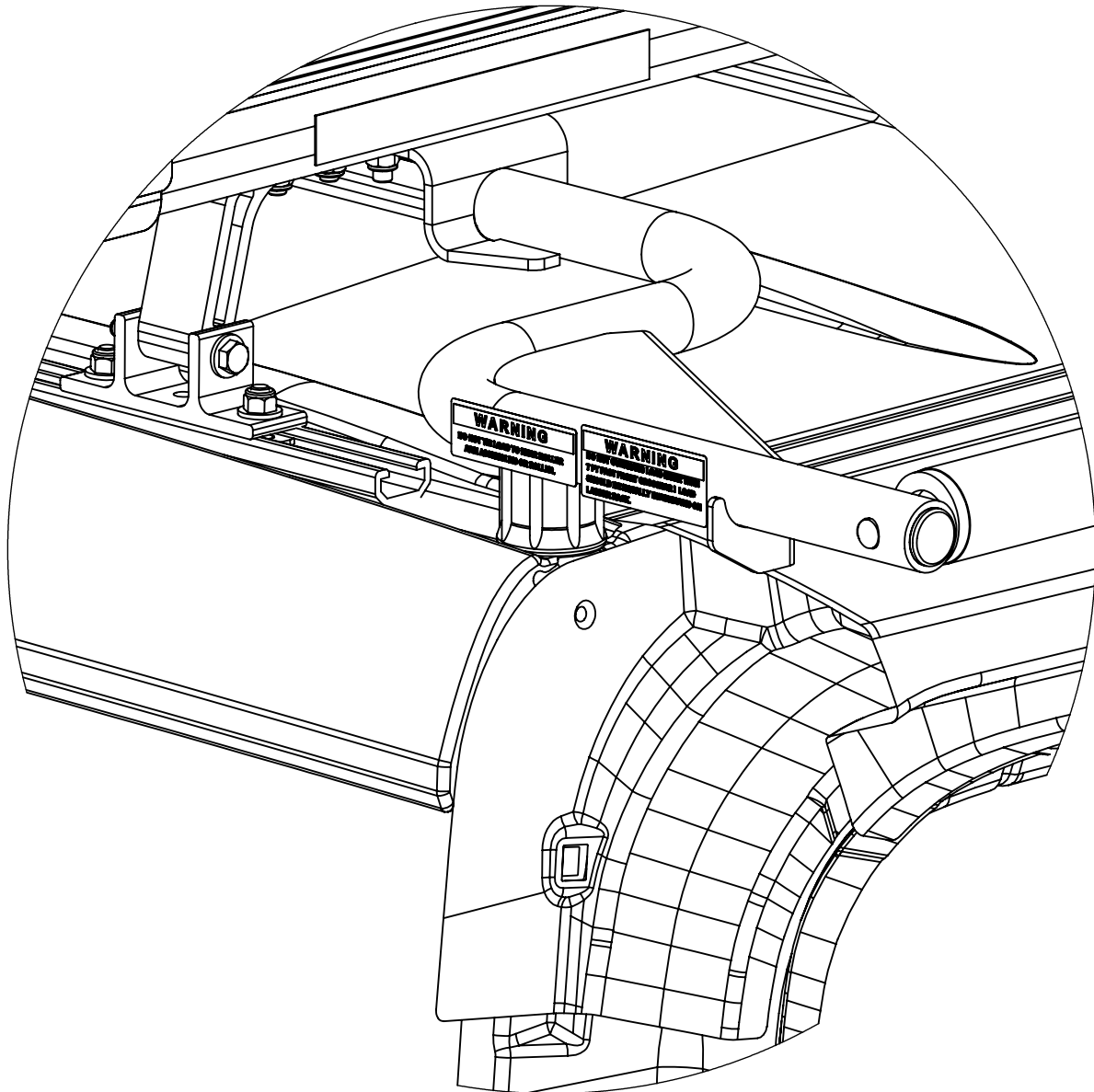


STEP 2 - ADD ROLLER BAR & SECURE



NOTE: DETAIL VIEW IS FROM BOTTOM OF RACK

NOTE FOR RRBSPRW - MERCEDES SPRINTER WITH OEM ROOF RAILS



WHEN INSTALLING RRBSPRW ON MERCEDES OEM ROOF RAILS, ENSURE REAR CROSSBOW IS POSITIONED ON THE RAILS SO THE RUBBER SUPPORT IS POSITIONED AS SHOWN