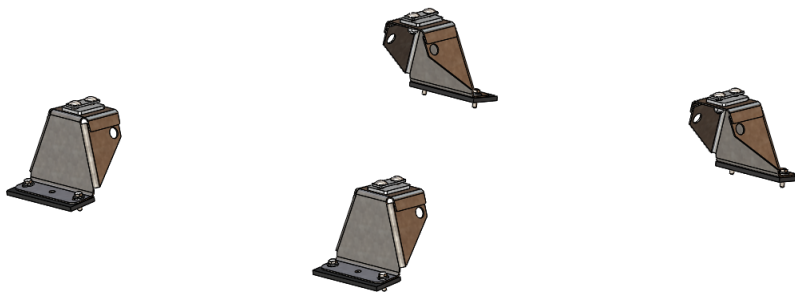




Mounting Bracket Kit, 4-Pack, White, ProMaster City

PRODUCT WEIGHT
5.7 LBS

HEIGHT OFF ROOF
SEE TABLE BELOW



CAPACITY
**REFER TO OEM'S
RECOMMENDED LOAD
RATING**
COLOR

WHITE

CATALOG NUMBER

PMCMBK4W

PRODUCT FEATURES

**Ram ProMaster City galvanized steel mounting bracket kit for the
PROFILE™ HD Utility Rack.**

Does not work with grip lock or drop down style racks.

**SEE PAGE 2 FOR APPLICATION NOTES AND ACCESSORIES, OTHER PRODUCTS THAT
WORK WITH THIS UNIT.**

PAGE 1 of 2

The information contained in this document is the sole property of ADRIAN STEEL COMPANY. ADRIAN STEEL COMPANY retains the right to modify and/or change the product of its design at any time without prior notification.



CATALOG NUMBER **PMCMBK4W**

PRODUCT APPLICATION

This product is designed to be installed on Ram ProMaster City vans.

ACCESSORIES THAT WILL WORK WITH THIS PRODUCT

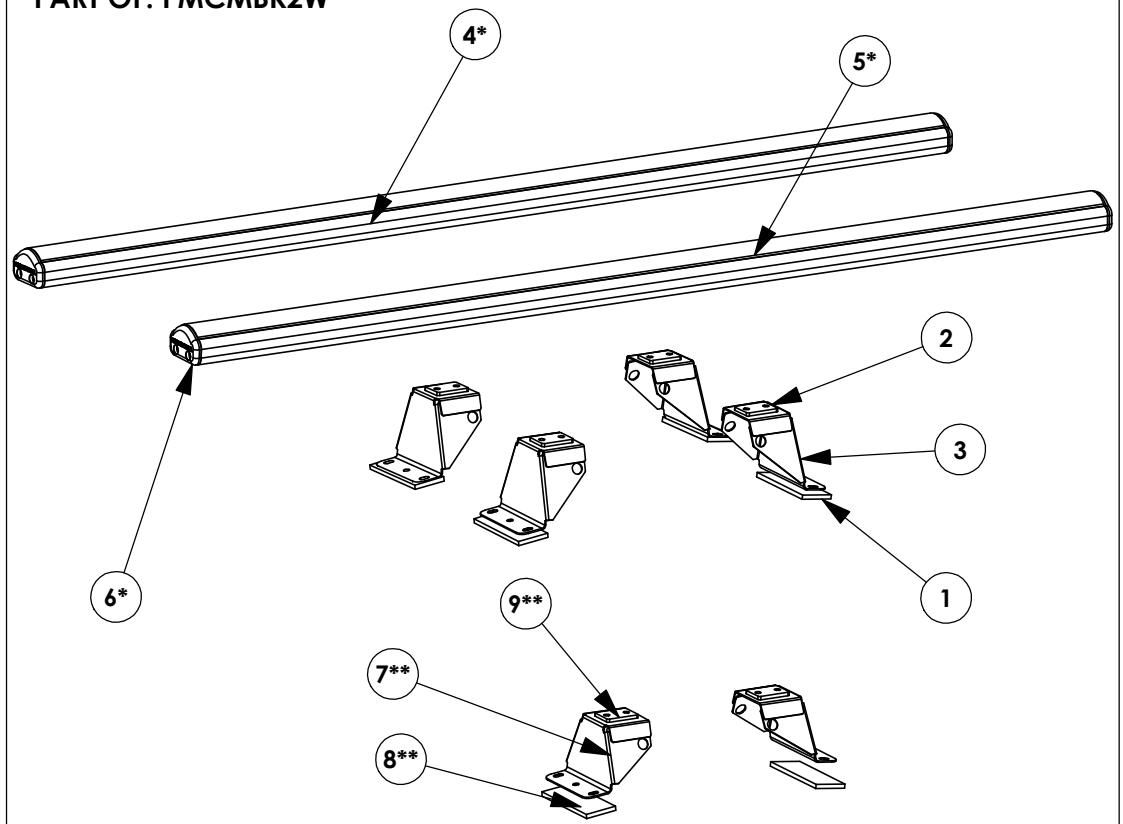
CATALOG NUMBER	DESCRIPTION	CATALOG NUMBER	DESCRIPTION
PMCMBK2W	Mounting Bracket Kit, 2-Pack, White, ProMaster City	4UPK4B	4" Upright Kit, 4-Pack, Black
2BARCW	2-Crossbar Kit, 58", White, Minivan	4UPK2B	4" Upright Kit, 2-Pack, Black
1BARCW	Single Crossbar Kit, 58", White, Minivan	6UPK4B	6" Upright Kit, 4-Pack, Black
70-1NGLR	4" End Cap for PVC Conduit	6UPK2B	6" Upright Kit, 2-Pack, Black
70-2NGLR	6" End Cap for PVC Conduit	9UPK4B	9" Upright Kit, 4-Pack, Black
		9UPK2B	9" Upright Kit, 2-Pack, Black
		RSK1B	Single Ratchet Upright Kit, 9"
		ULSKB	Single Ladder Stop Kit

LADDER RACK HEIGHTS MEASURED FROM ROOF OF VEHICLE

CONFIGURATION	RACK HEIGHT
Base Rack	5.1"
Base + Ladder Stop	10.6"
Base + 4" Uprights	8.6"
Base + 6" Uprights	10.6"
Base + 9"/Ratchet Uprights	13.6"
Base + 4" PVC Conduit Kit	9.5"
Base + 6" PVC Conduit Kit	11.5"
Base + Aluminum Box Conduit Kit	11.6"

INSTR. NUMBER	PG:	REV:	ITEM NO.	PART NUMBER	DESCRIPTION	
: 64475	1	D	1	47106	GASKET,FOOT,MR TRANS L/R	6
			2	63933	UTILITY, COM MOUNT PLATE	6
			3	63912-W	UTILITY PMC MOUNT BRKT, WHITE	4
PART NUMBER : PMCMBK4W • 2BARCW	PART : PMC MOUNTING BRKT KIT 4,W DESC. : 2BAR UTILITY RACK, CV, W		4*	63915-W	UTILITY, CROSSBOW, 58", W	2
			5*	63914	UTILITY, WEAR STRIP, 58"	2
			6*	63851	UTILITY RCK,END CAP,BLACK	4
NOTE: THIS ASSEMBLY INSTRUCTION IS VALID FOR ANY NUMBER OF PMCMBK.			7**	68299-W	UTILITY, PMC MID MOUNT BRKT, WHITE	2
			8**	47106	GASKET,FOOT,MR TRANS L/R	2
			9**	63933	UTILITY, COM MOUNT PLATE	2

ITEMS NOTED (#*) ARE PART OF 2BARCW.
ITEMS NOTED (***) ARE PART OF: PMCMBK2W



GET TO KNOW THE VEHICLE - AT THE BEGINNING OF ANY INSTALLATION, CHECK THE LOCATION OF THE FUEL TANK, FUEL LINES, BRAKE LINES, HIGH VOLTAGE BATTERIES AND WIRING HARNESSES TO AVOID INJURY OR PROPERTY DAMAGE FROM TOOL CONTACT.

SEAL ALL EXTERIOR HOLES - ALL INSTALLATION HOLES SHOULD BE SEALED WITH BUTYL TAPE OR SILICON TO PREVENT WATER AND EXHAUST GASES FROM ENTERING THE VEHICLE.

CONTROL DRILL DEPTH - TO AVOID DAMAGE TO THE VEHICLE, USE A DRILL STOP OR CLEARED STEP BIT WHEN DRILLING INSTALLATION HOLES.

ALWAYS ADD PRIMER - WHEN ADDING INSTALLATION HOLES BE SURE TO USE A SELF-ETCHING PRIMER TO PREVENT CORROSION, FASTENER FAILURE AND INJURY.

MOUNTING POINTS MUST HAVE METAL-TO-METAL CONTACT - USE PROVIDED MOUNTING SPACERS TO ACCOMMODATE FOR VEHICLE FEATURES, CARPET OR SUBFLOORS.

PROVIDE CLEARANCE FOR SPACERS - IF THE INSTALLATION VEHICLE CONTAINS A CARPET OR SUBFLOOR, USE A 1-3/16" DIAMETER CARPET CUTTER (P/N: 31183-0) AT ALL MOUNTING LOCATIONS TO OPEN UP ROOM FOR SPACERS.

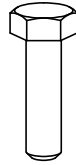
CHECK SPACER ORIENTATION - BE SURE THAT THE INDENT IN THE SPACER COVERS THE PLUSNUT HEAD; THIS ENSURES THE MOST METAL-TO-METAL CONTACT AND REDUCES VIBRATION.

PLUSNUT INSTALLATION - A PLUSNUT GUN IS RECOMMENDED FOR PLUSNUT INSTALLATION FOR ITS PRODUCTION SPEED. HOWEVER, A PLUSNUT SETTING TOOL CAN ALSO BE USED (P/N: 22200-0).

THRU-BOLT CLEARANCE - WHEN USING A THRU-BOLT AT ANY MOUNTING LOCATION, BE SURE THAT YOUR HOLE HAS 1/16" CLEARANCE.

FASTENERS USED

QUANTITIES ARE LISTED FOR PMCMBK4W,
WILL VARY FOR DIFFERENT QUANTITY
OF CROSSBOWS



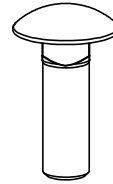
FAS0187
M6-1.0X22 SS
HH SCREW
QTY: 8



FAS0234
1/4 SS
FLAT WASHER
QTY: 8



FAS0248
5/16-18 SS
NLK HH NUT
QTY: 8



FAS0398
5/16X18-1 SS
CRG BOLT
QTY: 8



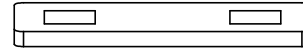
FAS0473
12X.75 ZN/NI PLATED
HH TEK SCREW
QTY: 8



FAS0552
5/16 SS
FLAT WASHER
QTY: 8



FAS0672
1/4 SS
FLAT WASHER
QTY: 8



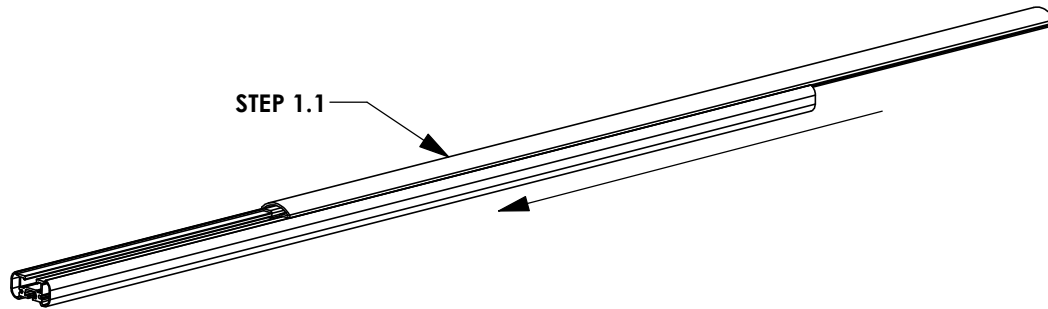
63934
UTILITY,
BOLT PLATE
QTY: 4

INTENTIONALLY LEFT BLANK

BEGIN ASSEMBLY
STEP 1 - ADD WEAR STRIPS

STEP 1.1:
SLIDE WEAR STRIP
INTO
RAIL AND
CENTER
(1 PER
CROSSBOW)

IF A CONDUIT KIT OR LADDER
RACK ACCESSORY IS PRESENT,
CHECK FOR ALTERATION
INSTRUCTIONS NOW!



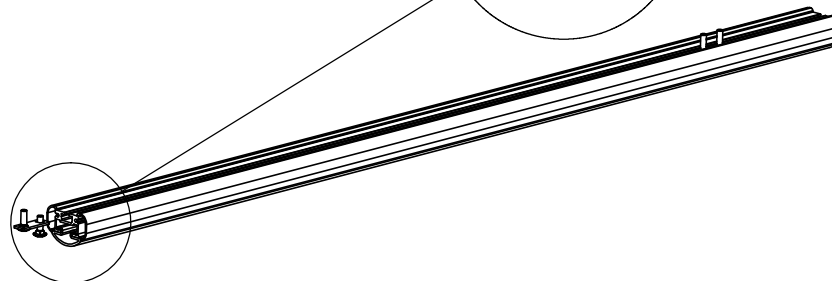
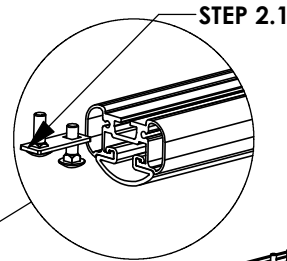
STEP 2 - INSTALL ACCESSORY SLIDES

STEP 2.1:
63934, (2)FAS0398
(2 PLACES FOR MOUNTING BRACKETS)

CHECK FOR A MOUNTING BRACKET OR
LADDER RACK ACCESSORY KIT FOR SLIDES.

ADDITIONAL SLIDE GUIDE

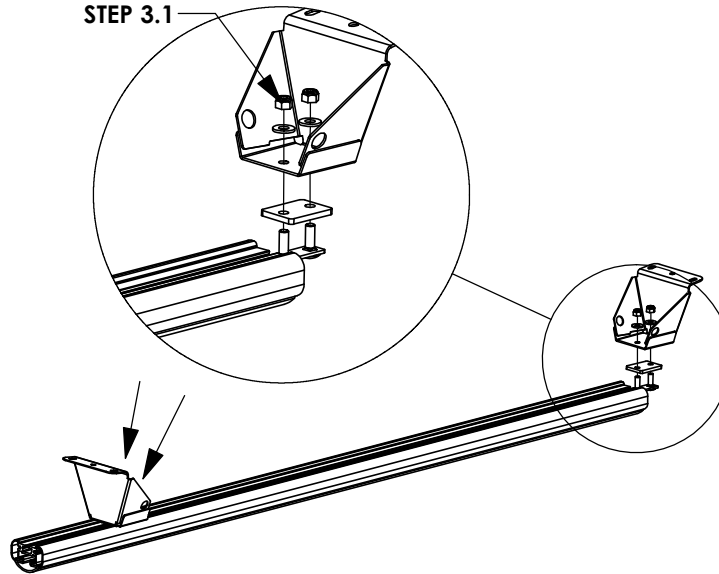
(+2 FOR REAR ROLLER)
(+1 PER UPRIGHT)
(+1 PER LADDER STOP)



REFERENCE ACCESSORY KIT INSTRUCTIONS FOR SPECIFIC CARRIAGE BOLT AND PLATE
PART NUMBERS

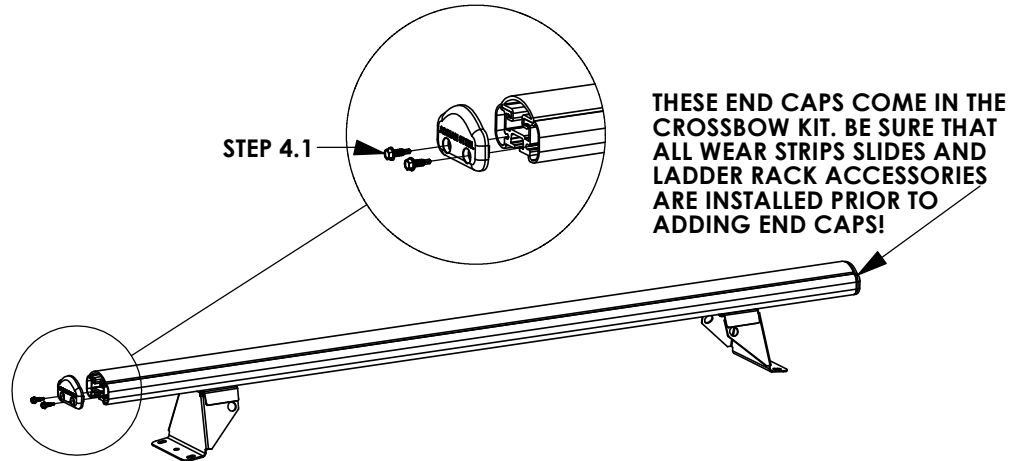
STEP 3 - ASSEMBLE MOUNTING BRACKETS TO CROSSBOW

STEP 3.1
(2)FAS0398,
63934,
(2)FAS0552,
(2)FAS0248
(2 PLACES PER
CROSSBOW)
LOOSE INSTALL



STEP 4 - ASSEMBLE END CAPS TO CROSSBOW

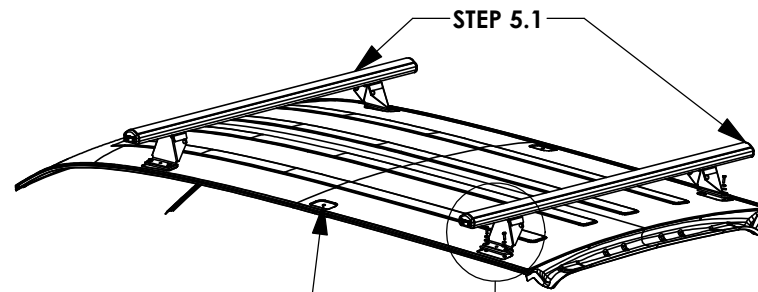
STEP 4.1:
FAS0473
(4 PLACES PER CROSSBOW)
5/16 SOCKET



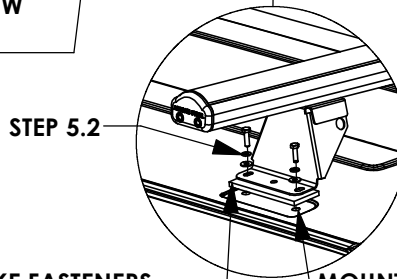
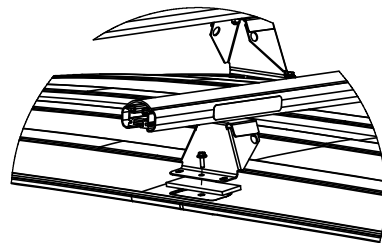
BEGIN INSTALLATION
STEP 5 - INSTALL CROSSBOW ASSEMBLY TO VAN ROOF

STEP 5.1:
MOUNT CROSSBOWS IN THE ROOF LOCATIONS WITH (2) OEM MOUNTING HOLES

STEP 5.2:
FAS0187, FAS0672, FAS0234 (4 PLACES PER CROSSBOW) 10mm SOCKET



WHEN ADDING A THIRD CROSSBOW, MAKE SURE THAT THE CENTER BOW USES THE (2) SHORT MOUNTING BRACKETS: 68299-W



POKE FASTENERS THROUGH FOAM PAD **MOUNT USING OEM LOCATIONS**

STEP 6 - SECURE CROSSBOWS

STEP 6.1:
CENTER CROSSBOW AND SECURE MOUNTING BRACKETS (4 PLACES PER CROSSBOW) 1/2 SOCKET

MEASURE TO OUTSIDE EDGE OF MOUNTING BRACKET

