

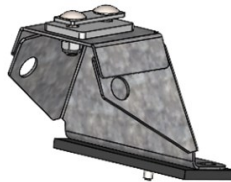
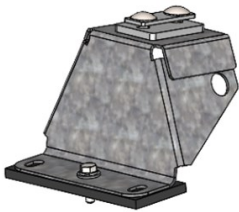


## Mounting Bracket Kit, 2-Pack, White, ProMaster City

PRODUCT WEIGHT  
**4.7 LBS**

HEIGHT OFF ROOF

**SEE TABLE BELOW**



CAPACITY  
**REFER TO OEM'S  
RECOMMENDED LOAD  
RATING**

COLOR  
**WHITE**

CATALOG NUMBER  
**PMCMBK2W**

### PRODUCT FEATURES

**Ram ProMaster City galvanized steel mounting bracket kit for the PROFILE™ HD Utility Racks to add an additional crossbar to 2-Bar rack. Only use for middle OEM mounting location.**

**Does not work with Grip-Lock or ProLift style racks.**

**SEE PAGE 2 FOR APPLICATION NOTES AND ACCESSORIES, OTHER PRODUCTS THAT WORK WITH THIS UNIT.**

### PAGE 1 of 2

The information contained in this document is the sole property of ADRIAN STEEL COMPANY. ADRIAN STEEL COMPANY retains the right to modify and/or change the product of its design at any time without prior notification.



**CATALOG NUMBER      **PMCMBK2W****

**PRODUCT APPLICATION**

**This product is designed to be installed on Ram ProMaster City vans.**

**ACCESSORIES THAT WILL WORK WITH THIS PRODUCT**

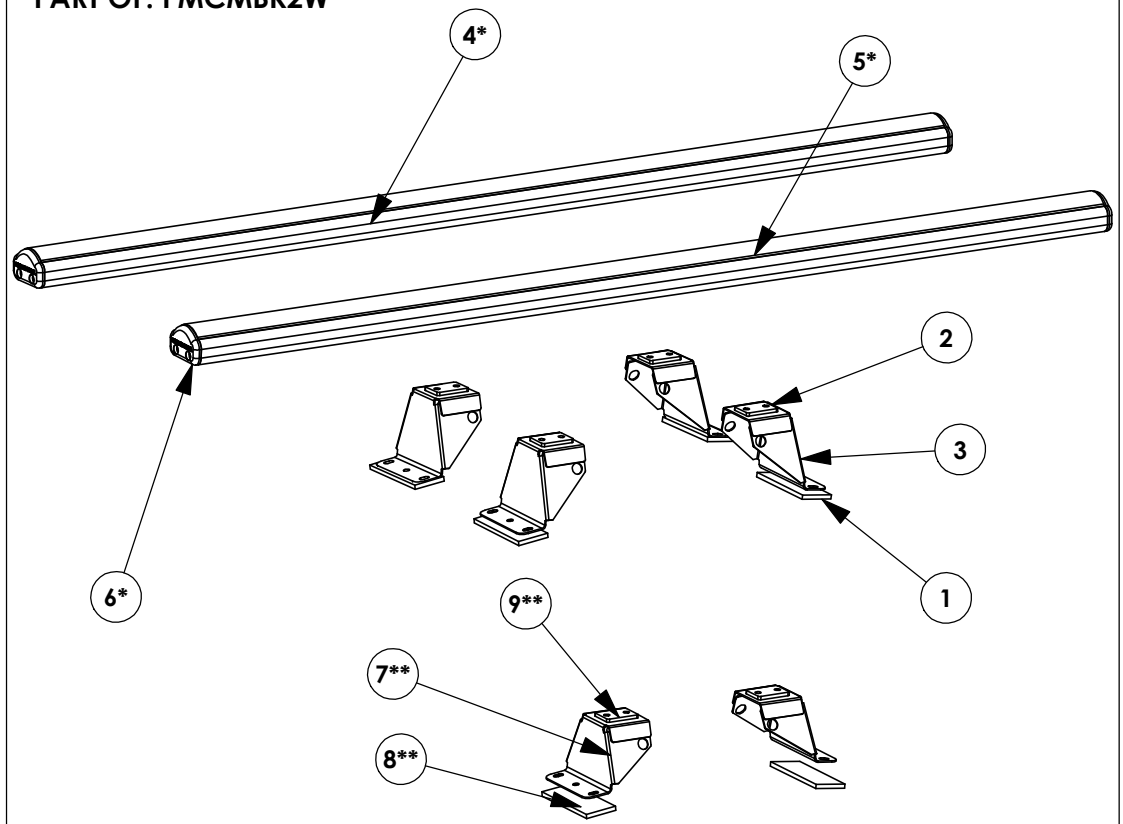
CATALOG NUMBER	DESCRIPTION	CATALOG NUMBER	DESCRIPTION
PMCMBK4W	Mounting Bracket Kit, 4-Pack, White, ProMaster City	4UPK4B	4" Upright Kit, 4-Pack, Black
1BARCW	Single Crossbar Kit, 58", White, Minivan	4UPK2B	4" Upright Kit, 2-Pack, Black
70-1NGLR	4" End Cap for PVC Conduit	6UPK4B	6" Upright Kit, 4-Pack, Black
70-2NGLR	6" End Cap for PVC Conduit	6UPK2B	6" Upright Kit, 2-Pack, Black
		9UPK4B	9" Upright Kit, 4-Pack, Black
		9UPK2B	9" Upright Kit, 2-Pack, Black
		RSK1B	Single Ratchet Upright Kit, 9"
		ULSKB	Single Ladder Stop Kit

**LADDER RACK HEIGHTS MEASURED FROM ROOF OF VEHICLE**

CONFIGURATION	RACK HEIGHT
Base Rack	5.1"
Base + Ladder Stop	10.6"
Base + 4" Uprights	8.6"
Base + 6" Uprights	10.6"
Base + 9"/Ratchet Uprights	13.6"
Base + 4" PVC Conduit Kit	9.5"
Base + 6" PVC Conduit Kit	11.5"
Base + Aluminum Box Conduit Kit	11.6"

INSTR. NUMBER	PG:	REV:	ITEM NO.	PART NUMBER	DESCRIPTION	
: 64475	1	D	1	47106	GASKET,FOOT,MR TRANS L/R	6
			2	63933	UTILITY, COM MOUNT PLATE	6
			3	63912-W	UTILITY PMC MOUNT BRKT, WHITE	4
PART NUMBER : PMCMBK4W • 2BARCW	PART : PMC MOUNTING BRKT KIT 4,W DESC. : 2BAR UTILITY RACK, CV, W		4*	63915-W	UTILITY, CROSSBOW, 58", W	2
			5*	63914	UTILITY, WEAR STRIP, 58"	2
			6*	63851	UTILITY RCK,END CAP,BLACK	4
NOTE: THIS ASSEMBLY INSTRUCTION IS VALID FOR ANY NUMBER OF PMCMBK.			7**	68299-W	UTILITY, PMC MID MOUNT BRKT, WHITE	2
			8**	47106	GASKET,FOOT,MR TRANS L/R	2
			9**	63933	UTILITY, COM MOUNT PLATE	2

ITEMS NOTED (#\*) ARE PART OF 2BARCW.  
ITEMS NOTED (\*\*\*) ARE PART OF: PMCMBK2W



**GET TO KNOW THE VEHICLE** - AT THE BEGINNING OF ANY INSTALLATION, CHECK THE LOCATION OF THE FUEL TANK, FUEL LINES, BRAKE LINES, HIGH VOLTAGE BATTERIES AND WIRING HARNESSSES TO AVOID INJURY OR PROPERTY DAMAGE FROM TOOL CONTACT.

**SEAL ALL EXTERIOR HOLES** - ALL INSTALLATION HOLES SHOULD BE SEALED WITH BUTYL TAPE OR SILICON TO PREVENT WATER AND EXHAUST GASES FROM ENTERING THE VEHICLE.

**CONTROL DRILL DEPTH** - TO AVOID DAMAGE TO THE VEHICLE, USE A DRILL STOP OR CLEARED STEP BIT WHEN DRILLING INSTALLATION HOLES.

**ALWAYS ADD PRIMER** - WHEN ADDING INSTALLATION HOLES BE SURE TO USE A SELF-ETCHING PRIMER TO PREVENT CORROSION, FASTENER FAILURE AND INJURY.

**MOUNTING POINTS MUST HAVE METAL-TO-METAL CONTACT** - USE PROVIDED MOUNTING SPACERS TO ACCOMMODATE FOR VEHICLE FEATURES, CARPET OR SUBFLOORS.

**PROVIDE CLEARANCE FOR SPACERS** - IF THE INSTALLATION VEHICLE CONTAINS A CARPET OR SUBFLOOR, USE A 1-3/16" DIAMETER CARPET CUTTER (P/N: 31183-0) AT ALL MOUNTING LOCATIONS TO OPEN UP ROOM FOR SPACERS.

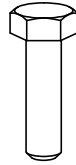
**CHECK SPACER ORIENTATION** - BE SURE THAT THE INDENT IN THE SPACER COVERS THE PLUSNUT HEAD; THIS ENSURES THE MOST METAL-TO-METAL CONTACT AND REDUCES VIBRATION.

**PLUSNUT INSTALLATION** - A PLUSNUT GUN IS RECOMMENDED FOR PLUSNUT INSTALLATION FOR ITS PRODUCTION SPEED. HOWEVER, A PLUSNUT SETTING TOOL CAN ALSO BE USED (P/N: 22200-0).

**THRU-BOLT CLEARANCE** - WHEN USING A THRU-BOLT AT ANY MOUNTING LOCATION, BE SURE THAT YOUR HOLE HAS 1/16" CLEARANCE.

**FASTENERS USED**

QUANTITIES ARE LISTED FOR PMCMBK4W,  
WILL VARY FOR DIFFERENT QUANTITY  
OF CROSSBOWS



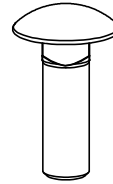
**FAS0187**  
M6-1.0X22 SS  
HH SCREW  
QTY: 8



**FAS0234**  
1/4 SS  
FLAT WASHER  
QTY: 8



**FAS0248**  
5/16-18 SS  
NLK HH NUT  
QTY: 8



**FAS0398**  
5/16X18-1 SS  
CRG BOLT  
QTY: 8



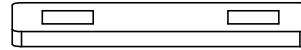
**FAS0473**  
12X.75 ZN/NI PLATED  
HH TEK SCREW  
QTY: 8



**FAS0552**  
5/16 SS  
FLAT WASHER  
QTY: 8



**FAS0672**  
1/4 SS  
FLAT WASHER  
QTY: 8



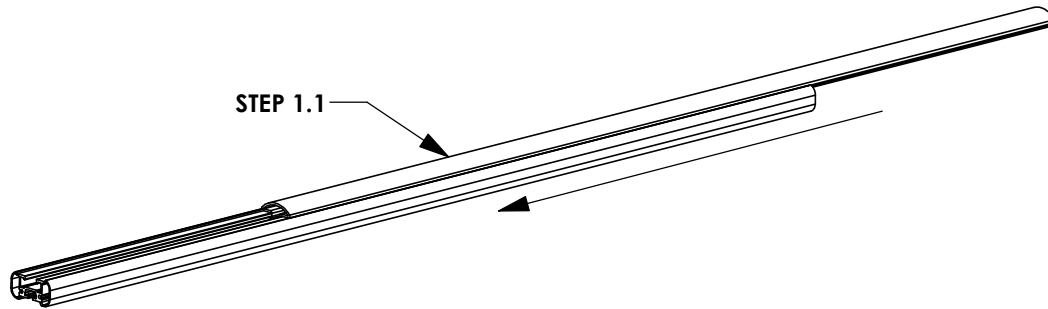
**63934**  
UTILITY,  
BOLT PLATE  
QTY: 4

***INTENTIONALLY LEFT BLANK***

**BEGIN ASSEMBLY**  
**STEP 1 - ADD WEAR STRIPS**

**STEP 1.1:**  
**SLIDE WEAR STRIP**  
**INTO**  
**RAIL AND**  
**CENTER**  
**(1 PER**  
**CROSSBOW)**

**IF A CONDUIT KIT OR LADDER**  
**RACK ACCESSORY IS PRESENT,**  
**CHECK FOR ALTERATION**  
**INSTRUCTIONS NOW!**



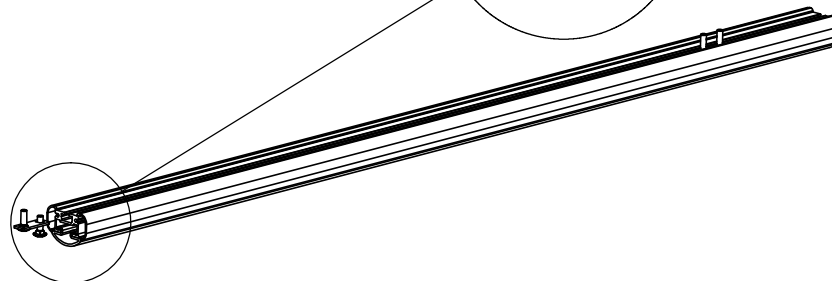
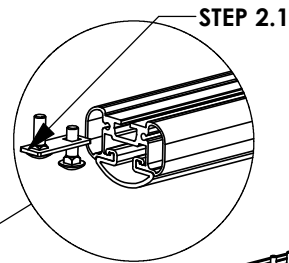
**STEP 2 - INSTALL ACCESSORY SLIDES**

**STEP 2.1:**  
**63934, (2)FAS0398**  
**(2 PLACES FOR MOUNTING BRACKETS)**

**CHECK FOR A MOUNTING BRACKET OR**  
**LADDER RACK ACCESSORY KIT FOR SLIDES.**

**ADDITIONAL SLIDE GUIDE**

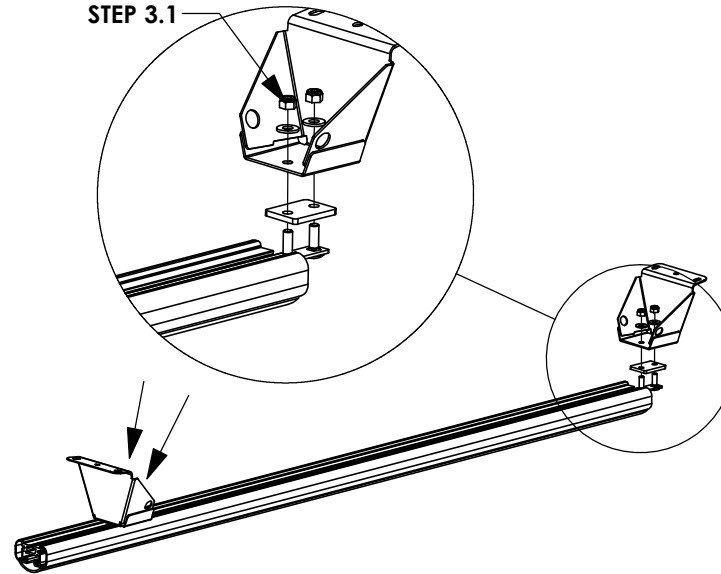
**(+2 FOR REAR ROLLER)**  
**(+1 PER UPRIGHT)**  
**(+1 PER LADDER STOP)**



**REFERENCE ACCESSORY KIT INSTRUCTIONS FOR SPECIFIC CARRIAGE BOLT AND PLATE**  
**PART NUMBERS**

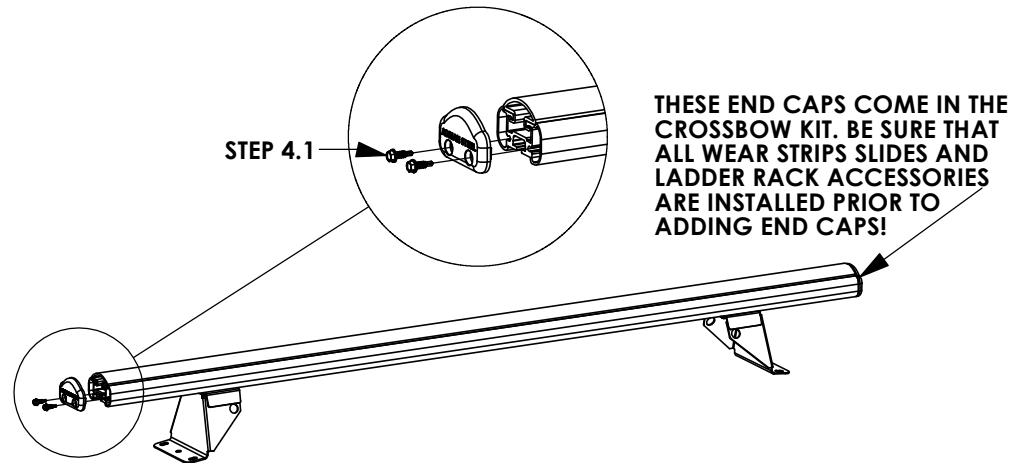
**STEP 3 - ASSEMBLE MOUNTING BRACKETS TO CROSSBOW**

**STEP 3.1**  
**(2)FAS0398,**  
**63934,**  
**(2)FAS0552,**  
**(2)FAS0248**  
**(2 PLACES PER**  
**CROSSBOW)**  
**LOOSE INSTALL**



**STEP 4 - ASSEMBLE END CAPS TO CROSSBOW**

**STEP 4.1:**  
**FAS0473**  
**(4 PLACES PER CROSSBOW)**  
**5/16 SOCKET**



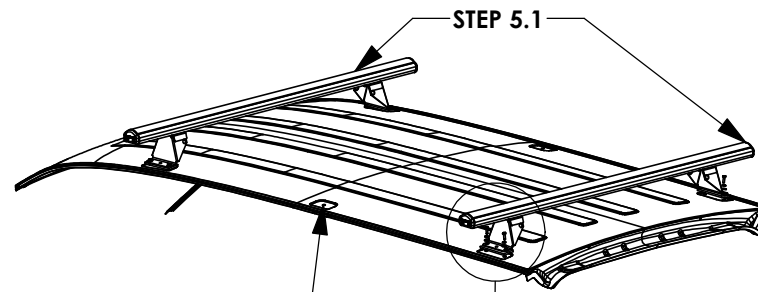


**BEGIN INSTALLATION**

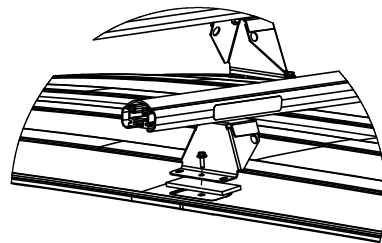
**STEP 5 - INSTALL CROSSBOW ASSEMBLY TO VAN ROOF**

**STEP 5.1:**  
MOUNT CROSSBOWS IN THE ROOF LOCATIONS WITH (2) OEM MOUNTING HOLES

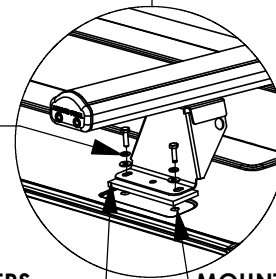
**STEP 5.2:**  
FAS0187, FAS0672, FAS0234  
(4 PLACES PER CROSSBOW)  
10mm SOCKET



WHEN ADDING A THIRD CROSSBOW, MAKE SURE THAT THE CENTER BOW USES THE (2) SHORT MOUNTING BRACKETS: 68299-W



STEP 5.2



POKE FASTENERS THROUGH FOAM PAD

MOUNT USING OEM LOCATIONS

**STEP 6 - SECURE CROSSBOWS**

**STEP 6.1:**  
CENTER CROSSBOW AND SECURE MOUNTING BRACKETS  
(4 PLACES PER CROSSBOW)  
1/2 SOCKET

MEASURE TO OUTSIDE EDGE OF MOUNTING BRACKET

