

INSTR. NUMBER : <b>68558</b>	PG: <b>1</b>	REV: <b>A</b>	ITEM NO.	PART NUMBER	DESCRIPTION	QTY.
PART NUMBER : <b>CRMBK4W</b>			1	68202-W	PROFILE, MOUNTING ARM, W	4
			2	63852-W	UTILITY, MOUNTING BRKT, W	4
PART : DESC. : COMPCT,MNT BKT KT,RAIL,4W			3*	63915-W	UTILITY, CROSSBOW, 58", WHITE	2
			4*	63914	UTILITY, WEAR STRIP, 58"	2
<b>ITEMS NOTED (#*) ARE PART OF: 2BARCW</b>			5*	63851	UTILITY RCK,END CAP,BLACK	4

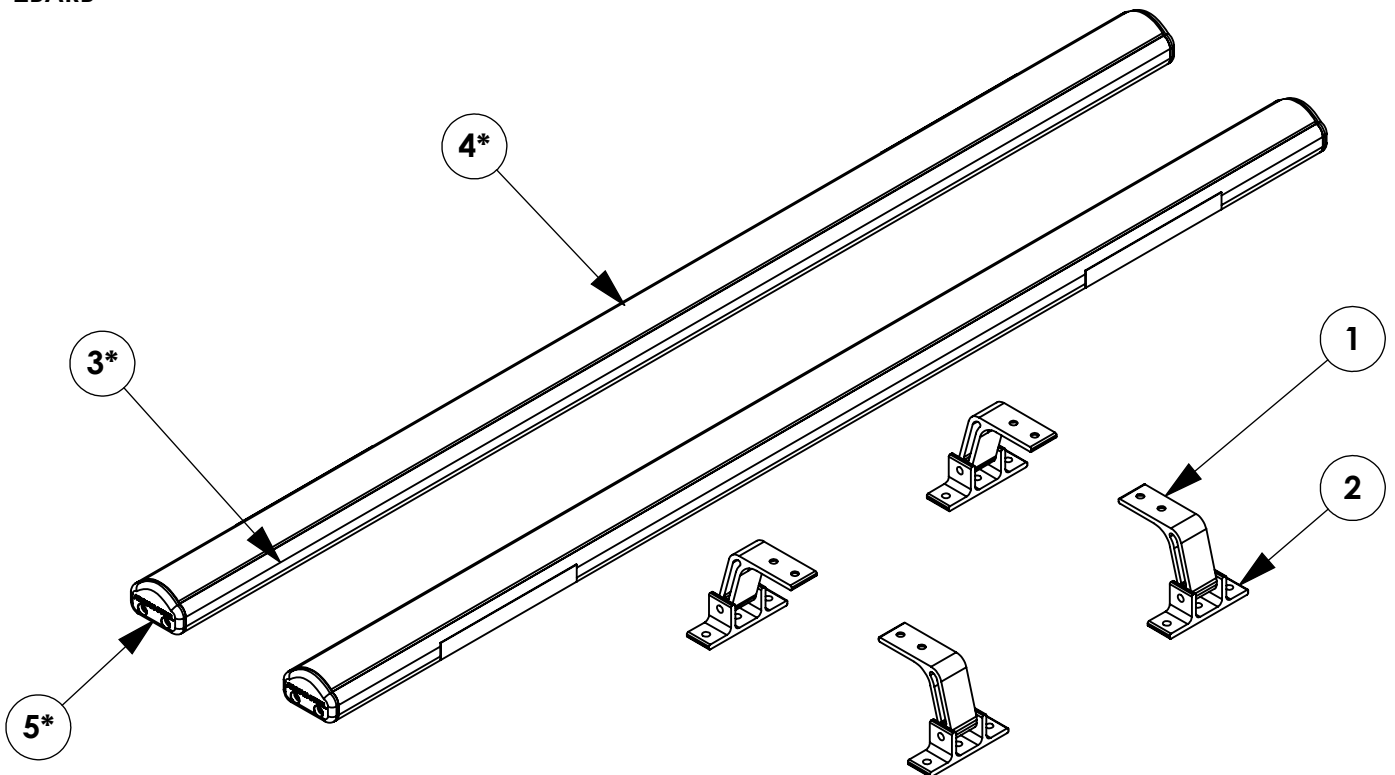
**NOTE: THIS INSTRUCTION IS VALID FOR THE FOLLOWING KITS:**

**MOUNTING KITS**

- URMBK4W (SHOWN)
- URMBK4B
- URMBK2W
- URMBK2B

**CROSSBOW KITS**

- 2BARCW (SHOWN)    -1BARCW
- 2BARCB            -1BARCB
- 2BARTOPW        -1BARTOPW
- 2BARTOPB        -1BARTOPB
- 2BARW            -1BARW
- 2BARB            -1BARB



**GET TO KNOW THE VEHICLE** - AT THE BEGINNING OF ANY INSTALLATION, CHECK THE LOCATION OF THE FUEL TANK, FUEL LINES, BRAKE LINES, HIGH VOLTAGE BATTERIES AND WIRING HARNESSSES TO AVOID INJURY OR PROPERTY DAMAGE FROM TOOL CONTACT.

**SEAL ALL EXTERIOR HOLES** - ALL INSTALLATION HOLES SHOULD BE SEALED WITH BUTYL TAPE OR SILICON TO PREVENT WATER AND EXHAUST GASES FROM ENTERING THE VEHICLE.

**CONTROL DRILL DEPTH** - TO AVOID DAMAGE TO THE VEHICLE, USE A DRILL STOP OR CLEARED STEP BIT WHEN DRILLING INSTALLATION HOLES.

**ALWAYS ADD PRIMER** - WHEN ADDING INSTALLATION HOLES BE SURE TO USE A SELF-ETCHING PRIMER TO PREVENT CORROSION, FASTENER FAILURE AND INJURY.

**MOUNTING POINTS MUST HAVE METAL-TO-METAL CONTACT** - USE PROVIDED MOUNTING SPACERS TO ACCOMMODATE FOR VEHICLE FEATURES, CARPET OR SUBFLOORS.

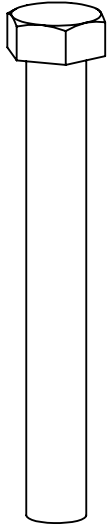
**PROVIDE CLEARANCE FOR SPACERS** - IF THE INSTALLATION VEHICLE CONTAINS A CARPET OR SUBFLOOR, USE A 1-3/16" DIAMETER CARPET CUTTER (P/N: 31183-0) AT ALL MOUNTING LOCATIONS TO OPEN UP ROOM FOR SPACERS.

**CHECK SPACER ORIENTATION** - BE SURE THAT THE INDENT IN THE SPACER COVERS THE PLUSNUT HEAD; THIS ENSURES THE MOST METAL-TO-METAL CONTACT AND REDUCES VIBRATION.

**PLUSNUT INSTALLATION** - A PLUSNUT GUN IS RECOMMENDED FOR PLUSNUT INSTALLATION FOR ITS PRODUCTION SPEED. HOWEVER, A PLUSNUT SETTING TOOL CAN ALSO BE USED (P/N: 22200-0).

**THRU-BOLT CLEARANCE** - WHEN USING A THRU-BOLT AT ANY MOUNTING LOCATION, BE SURE THAT YOUR HOLE HAS 1/16" CLEARANCE.

**FASTENERS USED**



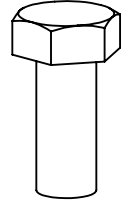
**FAS0243**  
5/16-18 X 2.5 SS  
HH SCREW  
QTY: 4



**FAS0552**  
5/16 SS  
FLAT WASHER  
QTY: 12



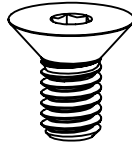
**FAS0588**  
5/16 SS  
SPLIT WASHER  
QTY: 8



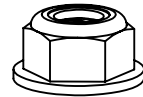
**FAS0799**  
5/16-18 X .75 SS  
HH SCREW  
QTY: 8



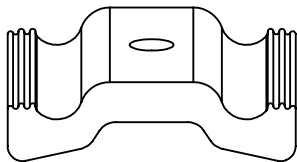
**FAS0857**  
5/16 SS  
CS EXT LCK WASHER  
QTY: 8



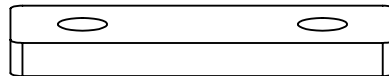
**FAS0858**  
5/16-18 X .625 SS  
FHH CS SCREW  
QTY: 8



**FAS0861**  
5/16-18 SS  
NLK HFLNG NUT  
QTY: 4



**35335-0**  
1.5" AD RAIL  
QTY: 8

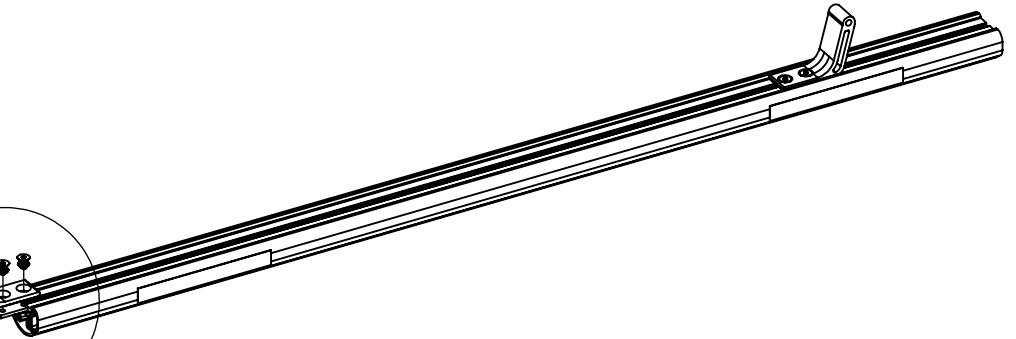
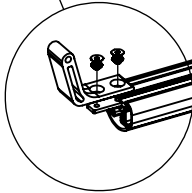
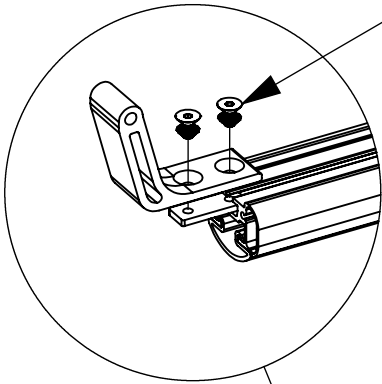


**68042**  
PROFILE FOOT MTG PLATE  
QTY: 4

**BEGIN ASSEMBLY**

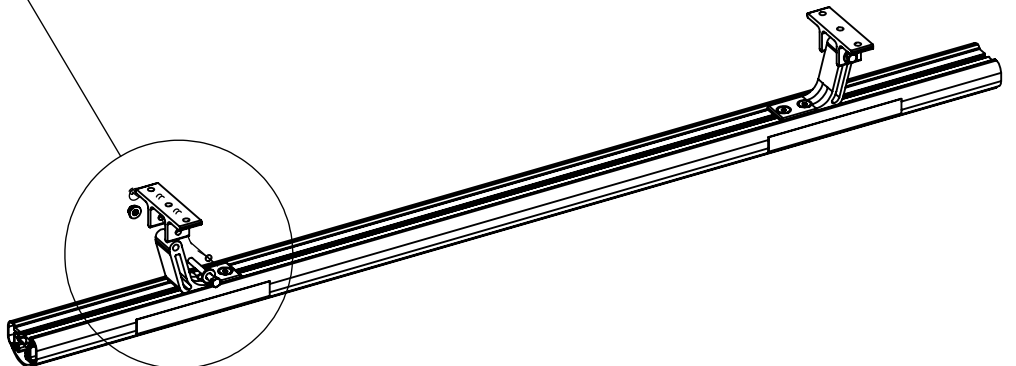
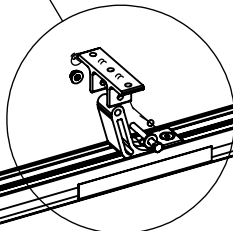
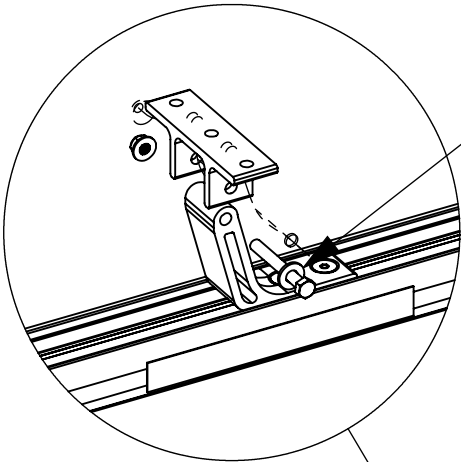
**STEP 1 - ASSEMBLE MOUNTING ARMS TO CROSSBOW**

(2) FAS0857, (2) FAS0858  
68042  
(2 PLACES PER CROSSBOW)  
LOOSE INSTALL



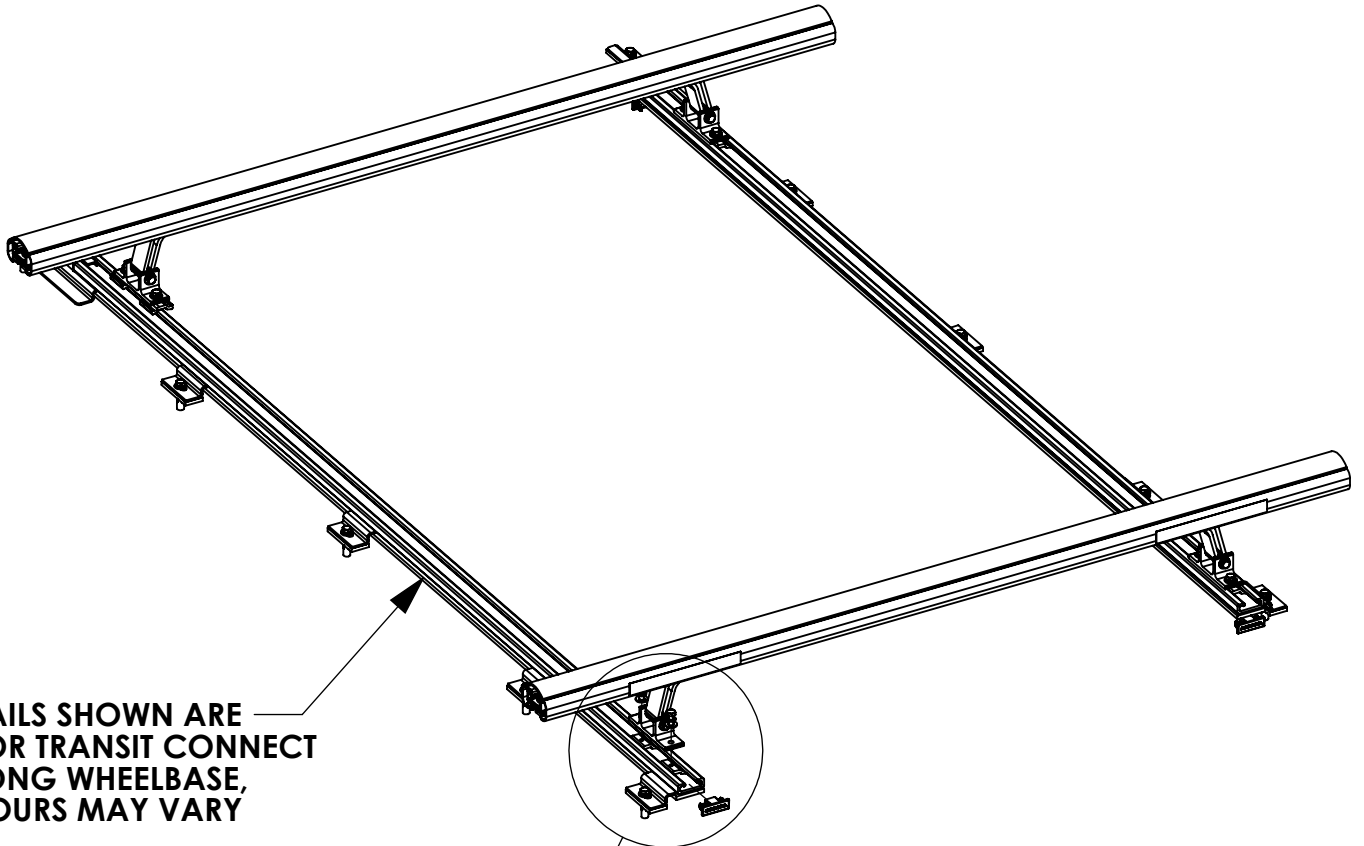
**STEP 2 - ASSEMBLE MOUNTING BRACKETS TO MOUNTING ARMS**

FAS0243, FAS0552, FAS0861  
(2 PLACES PER CROSSBOW)  
LOOSE INSTALL



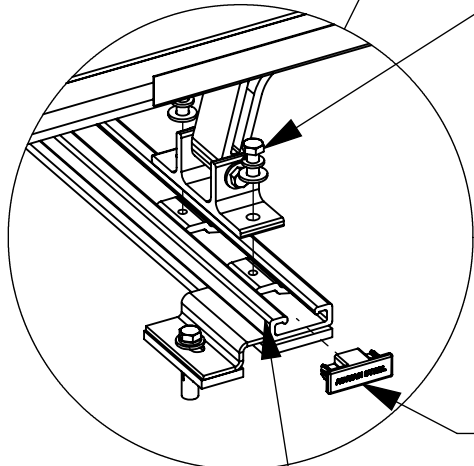
**BEGIN INSTALLATION**

**STEP 3 - INSTALL MOUNTING BRACKET TO RAIL**



RAILS SHOWN ARE FOR TRANSIT CONNECT LONG WHEELBASE, YOURS MAY VARY

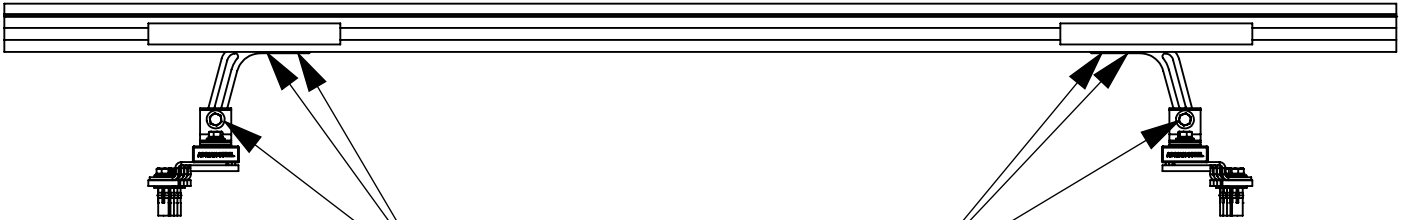
FAS0799, FAS0588,  
FAS0552, 35335-0  
(4 PLACES PER CROSSBOW)  
1/2 SOCKET



AFTER MOUNTING BRACKET KIT IS IN,  
ADD END CAP TO RAIL

DISTANCE OFF OF THE REAR IS PROVIDED IN YOUR SPECIFIC ACCESSORY INSTALLATION INSTRUCTIONS.

**STEP 4 - CENTER CROSSBOW AND SECURE**



**CENTER CROSSBOW AND  
SECURE MOUNTING BRACKETS  
(6 PLACES PER CROSSBOW)  
1/2 SOCKET  
1/2 WRENCH  
5/32 ALLEN**

INSTR. NUMBER : **69484**

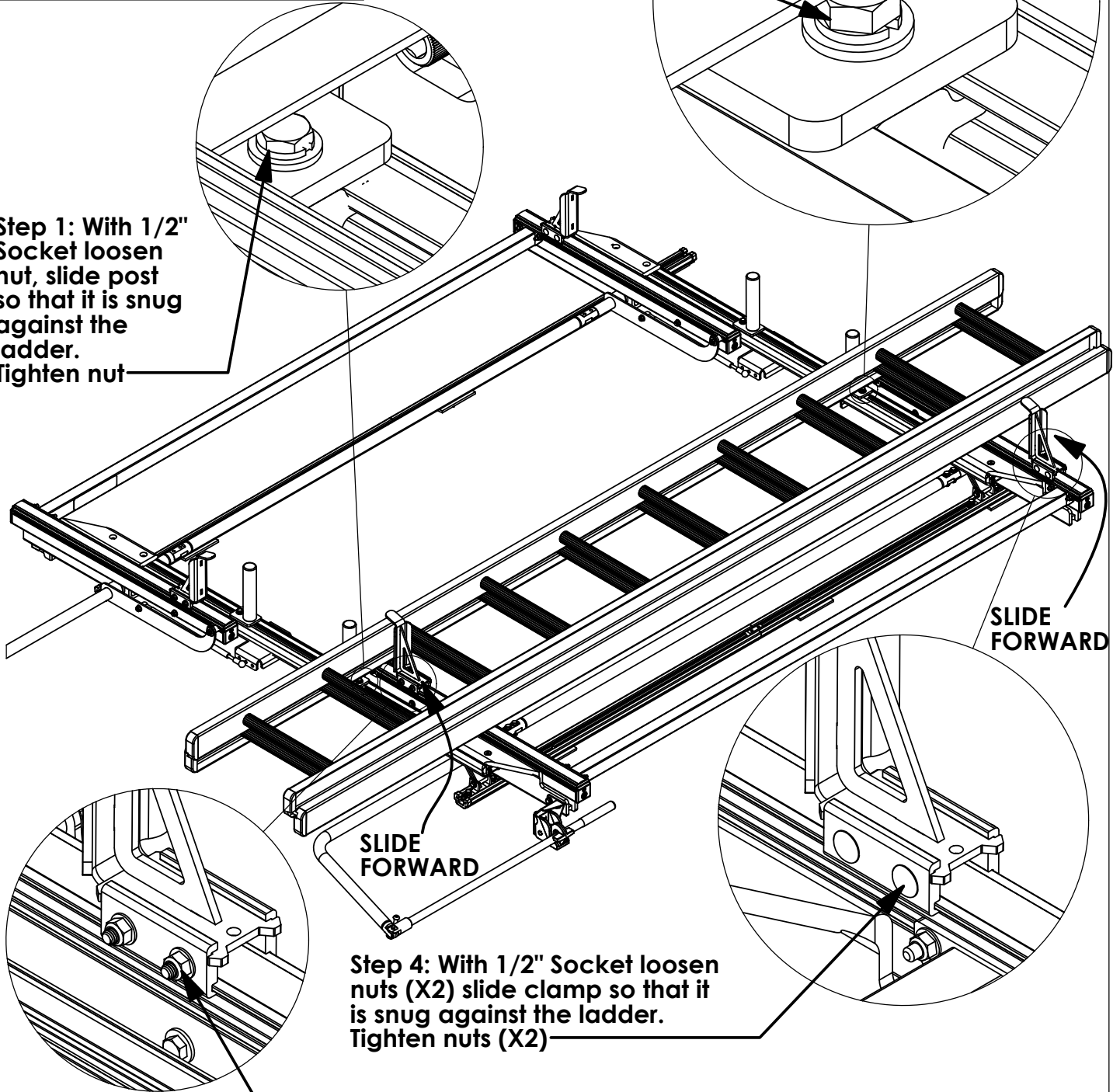
PG: **1** REV: **A**

PART NUMBER • **Standard Drop ProLift**  
• **Low & Compact Vans**

PART DESC. • ProLift Adjustment Instructions -  
• **Standard Drop**  
• **Low Roof & Compact Vans**

**Step 3: With 1/2" Socket loosen nut, slide post so that it is snug against the ladder. Tighten nut**

**Step 1: With 1/2" Socket loosen nut, slide post so that it is snug against the ladder. Tighten nut**



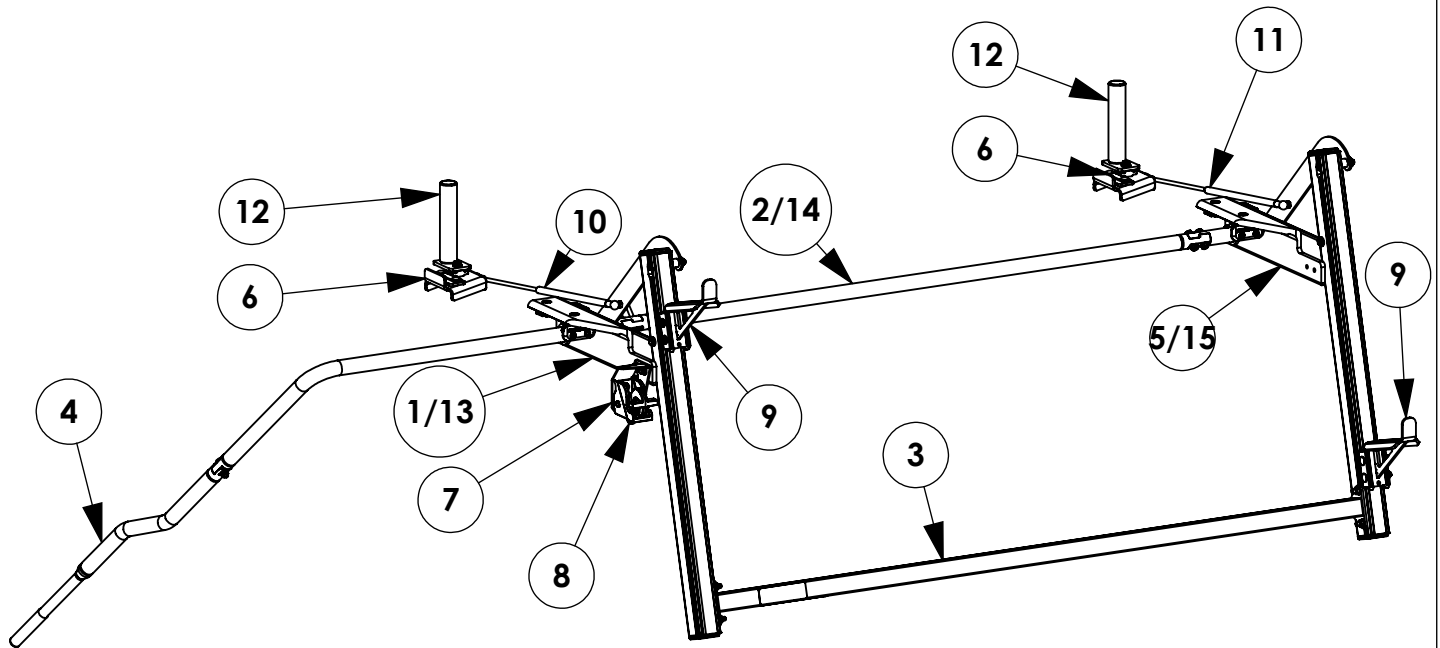
**Step 4: With 1/2" Socket loosen nuts (X2) slide clamp so that it is snug against the ladder. Tighten nuts (X2)**

**Step 2: With 1/2" Socket loosen nuts (X2) slide clamp so that it is snug against the ladder. Tighten nuts (X2)**

Once all brackets are adjusted operate rack to make sure clamps are not too tight

INSTR. NUMBER	PG:	REV:	ITEM NO.	PART NUMBER	DESCRIPTION	PLSDPSC	PLSDDSC
: <b>68581</b>	<b>1</b>	<b>B</b>	1	68418-W	PROLIFT, CP, PS RR CRT, W	1	-
			2	68414-B	PROLIFT, CP, PS DLINE WLD, BLK	1	-
PART NUMBER • <b>PLSDDSC &amp; PLSDPSC</b>			3	68412-W	PROLIFT, CP, OS BAR WLD, BLK	1	1
			4	68435-B	PROLIFT, CP, OS BAR WLD, WHITE	1	1
PART • PROLIFT,STD,DS,CPT & DESC. • PROLIFT,STD,PS,CPT			5	68031-W	DROP DOWN FRONT ARM ASSM PS, WHITE	1	-
			6	68045-W	PROLIFT DAMPER MOUNT, WHITE	2	2
			7	68180-W	DROP DOWN LATCH BRACKET, WHITE	1	1
			8	25340-0	HANDLE LATCH-STD	1	1
			9	58239	COMPRESSION DAMPER	1	1
			10	68628-W	PROLIFT,HR,DAMPER BRKT, W	2	2
			11	68422-W	PROLIFFT, CP, DS RR CRT, WHITE	-	1
			12	68419-B	PROLIFT, CP, DS DLINE WLD, BLK	-	1
			13	68013-W	DROP DOWN FRONT ARM ASM DS, WHITE	-	1

- PART NUMBERS WITH "-W" SUFFIX ARE PAINTED WHITE  
- FOR BLACK MOUNTING KITS, REPLACE "-W" PARTS WITH "-B" PARTS



- TOOLS NEEDED:**
- 1/2" SOCKET
  - 1/2" WRENCH
  - 9/16" SOCKET
  - 3/8" SOCKET
  - DRIVE RATCHET
  - 7/32" ALLEN WRENCH
  - 3/16" ALLEN WRENCH
  - 13mm WRENCH
  - TAPE MEASURE
  - RUBBER Mallet
  - IMPACT DRIVER

**\*\*IF BUILDING A DUAL SIDED RACK BUILD BOTH SIDES IN PARALLEL FOR EACH STEP. IF BUILDING SINGLE SIDED REFERENCE ONLY THAT SIDE WHEN BUILDING.\*\***



**GET TO KNOW THE VEHICLE** - AT THE BEGINNING OF ANY INSTALLATION, CHECK THE LOCATION OF THE FUEL TANK, FUEL LINES, BRAKE LINES, HIGH VOLTAGE BATTERIES AND WIRING HARNESSSES TO AVOID INJURY OR PROPERTY DAMAGE FROM TOOL CONTACT.

**SEAL ALL EXTERIOR HOLES** - ALL INSTALLATION HOLES SHOULD BE SEALED WITH BUTYL TAPE OR SILICON TO PREVENT WATER AND EXHAUST GASES FROM ENTERING THE VEHICLE.

**CONTROL DRILL DEPTH** - TO AVOID DAMAGE TO THE VEHICLE, USE A DRILL STOP OR CLEARED STEP BIT WHEN DRILLING INSTALLATION HOLES.

**ALWAYS ADD PRIMER** - WHEN ADDING INSTALLATION HOLES BE SURE TO USE A SELF-ETCHING PRIMER TO PREVENT CORROSION, FASTENER FAILURE AND INJURY.

**MOUNTING POINTS MUST HAVE METAL-TO-METAL CONTACT** - USE PROVIDED MOUNTING SPACERS TO ACCOMMODATE FOR VEHICLE FEATURES, CARPET OR SUBFLOORS.

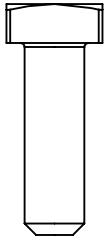
**PROVIDE CLEARANCE FOR SPACERS** - IF THE INSTALLATION VEHICLE CONTAINS A CARPET OR SUBFLOOR, USE A 1-3/16" DIAMETER CARPET CUTTER (P/N: 31183-0) AT ALL MOUNTING LOCATIONS TO OPEN UP ROOM FOR SPACERS.

**CHECK SPACER ORIENTATION** - BE SURE THAT THE INDENT IN THE SPACER COVERS THE PLUSNUT HEAD; THIS ENSURES THE MOST METAL-TO-METAL CONTACT AND REDUCES VIBRATION.

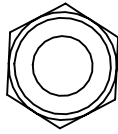
**PLUSNUT INSTALLATION** - A PLUSNUT GUN IS RECOMMENDED FOR PLUSNUT INSTALLATION FOR ITS PRODUCTION SPEED. HOWEVER, A PLUSNUT SETTING TOOL CAN ALSO BE USED (P/N: 22200-0).

**THRU-BOLT CLEARANCE** - WHEN USING A THRU-BOLT AT ANY MOUNTING LOCATION, BE SURE THAT YOUR HOLE HAS 1/16" CLEARANCE.

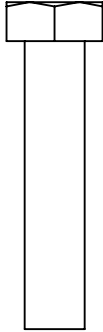
**FASTENERS AND HARDWARE USED**  
**BAG REFERENCE: BAG68181 & BAG68182**



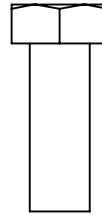
**FAS0035**  
**5/16-18 X 1.0**  
**SQ HD, BOLT**  
**QTY: 4**



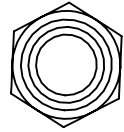
**FAS0110**  
**3/8-19**  
**NYL HEX NUT**  
**QTY: 1**



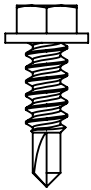
**FAS0242**  
**5/16-18 X 1.5**  
**HH SCREW**  
**QTY: 4**



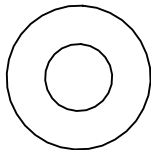
**FAS0283**  
**5/16-18 X .875**  
**HH SCREW**  
**QTY: 2**



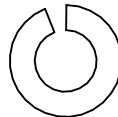
**FAS0399**  
**3/8-16**  
**NYL HEX NUT**  
**QTY: 1**



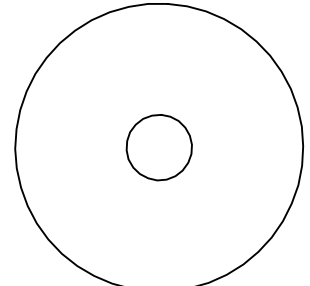
**FAS0473**  
**#12 X .75**  
**HH TEK SCREW**  
**QTY: 4**



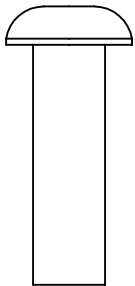
**FAS0552**  
**5/16**  
**FLAT WASHER**  
**QTY: 8**



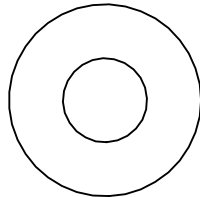
**FAS0588**  
**5/16**  
**SPLIT WASHER**  
**QTY: 4**



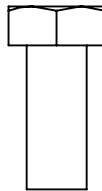
**DISCARD FAS0603**  
**5/16 X 1.5 OD**  
**FENDER WASHER**  
**QTY: 2**



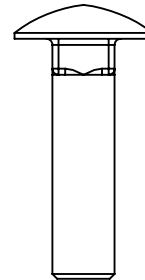
**FAS0701**  
**3/8-16 X 1.25**  
**BHC SCREW**  
**QTY: 1**



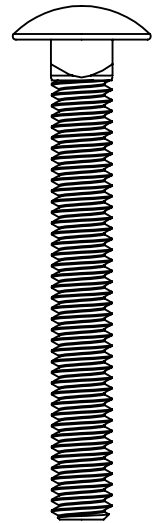
**FAS0720**  
**3/8**  
**FLAT WASHER**  
**QTY: 1**



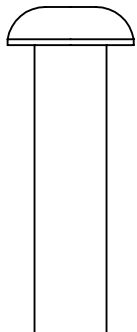
**FAS0799**  
**5/16-18 X .75**  
**HH SCREW**  
**QTY: 2**



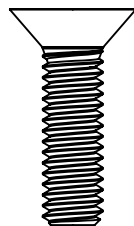
**FAS0812**  
**5/16-18 X 1.25**  
**CRG BOLT**  
**QTY: 4**



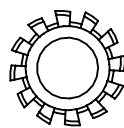
**FAS0838**  
**5/16-18 X 2.5**  
**CRG BOLT**  
**QTY: 4**



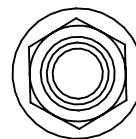
**FAS0819**  
**3/8-16 X 1.5**  
**BHC SCREW**  
**QTY: 1**



**FAS0856**  
**5/16-18 X 1.125**  
**FHH SCREW**  
**QTY: 4**



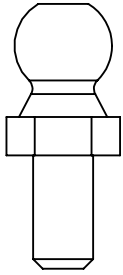
**FAS0857**  
**5/16 CS**  
**LCK EXT WASHER**  
**QTY: 4**



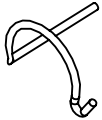
**FAS0861**  
**5/16-18**  
**NYL HEX NUT**  
**QTY: 18**

**INTENTIONALLY LEFT BLANK**

***FASTENERS AND HARDWARE USED***



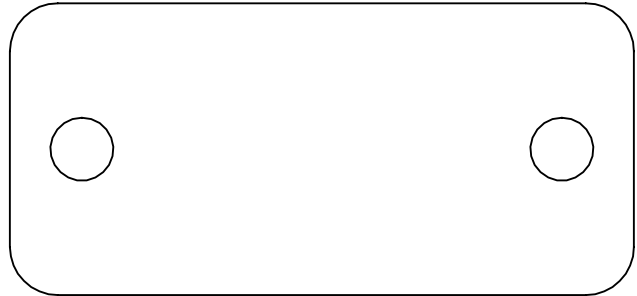
**34927-0**  
**5/16-18 X 13mm**  
**BALL STUD**  
**QTY: 2**



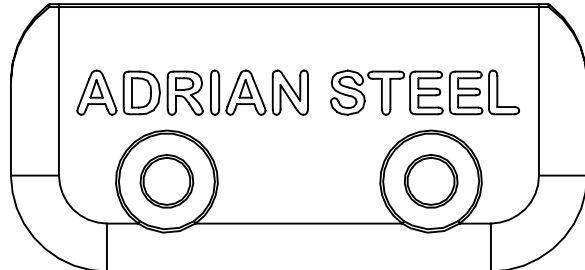
**34928-0**  
**13mm RETAINER**  
**SPRING CLIP**  
**QTY: 4**



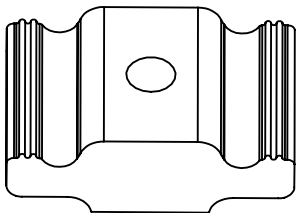
**64830**  
**BOLT PLATE**  
**REAR ROLLER**  
**QTY: 2**



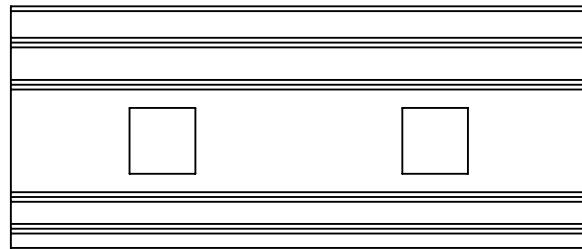
**64831**  
**SPACER**  
**REAR ROLLER**  
**QTY: 2**



**65961**  
**DROP DOWN**  
**END CAP**  
**QTY: 2**



**63490**  
**1" RAIL SLIDE**  
**QTY: 6**



**65963-W**  
**STOP CLAMP**  
**WHITE**  
**QTY: 4**

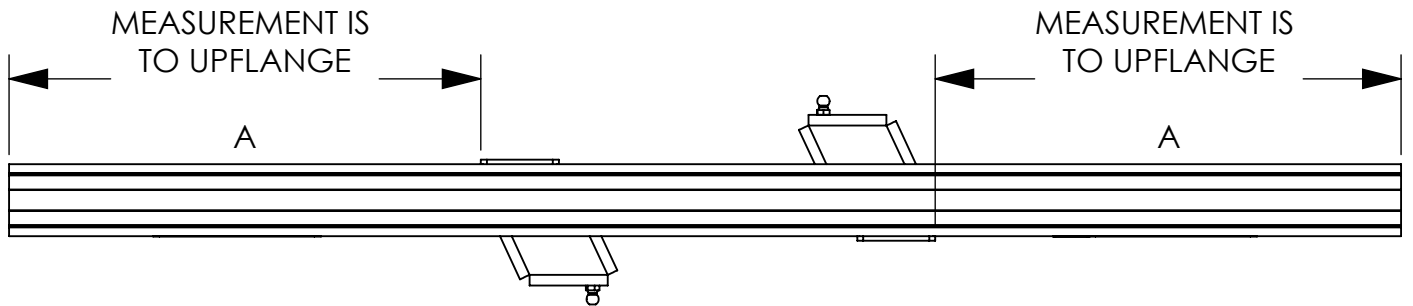
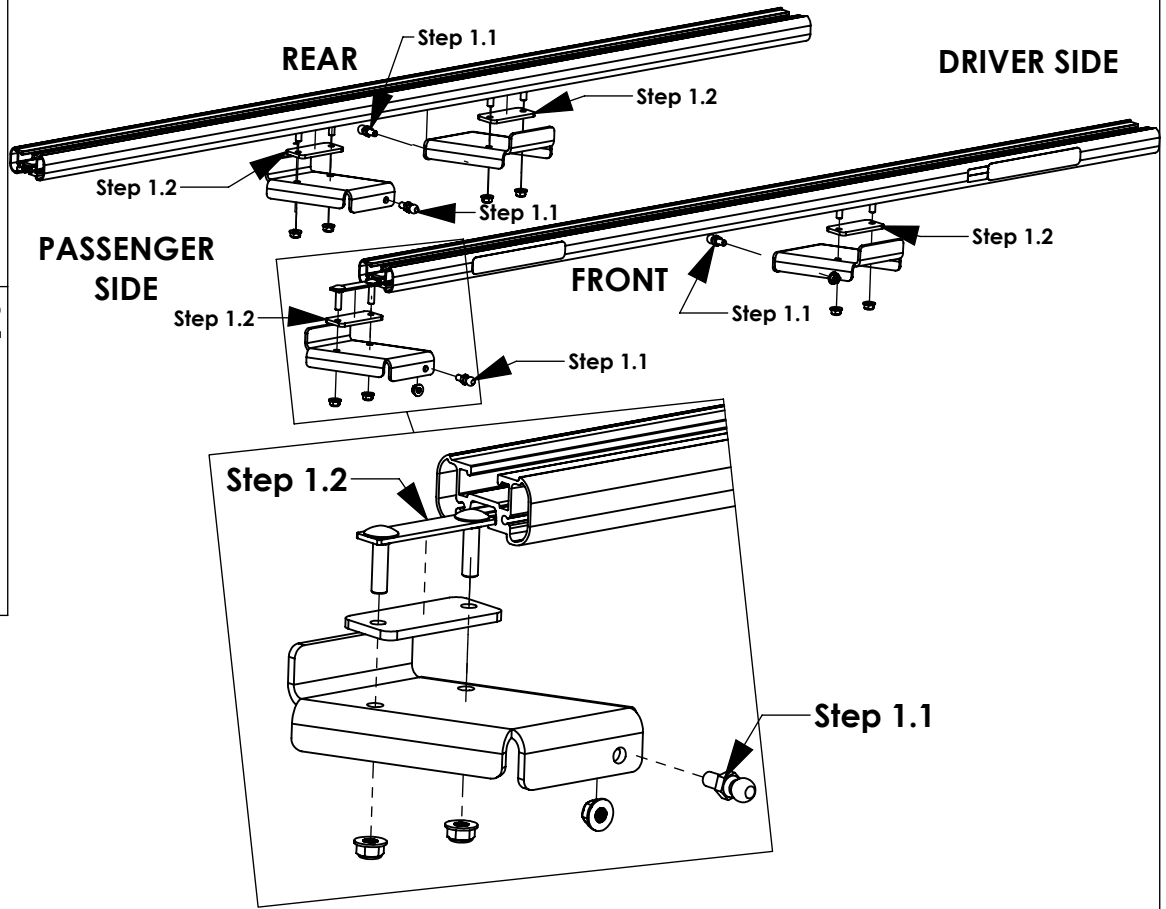
**INTENTIONALLY LEFT BLANK**

**STEP 1 - MOUNT DAMPER BRACKETS**

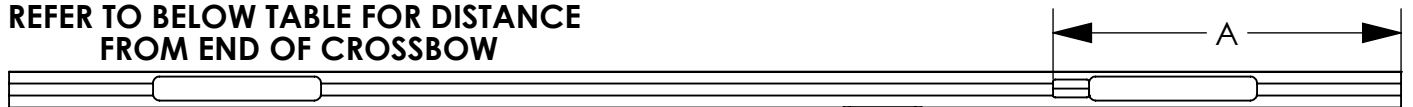
**Step 1.1**  
**FULLY TIGHTEN**  
**34927-0 & FAS0861**  
**(02 PLACES PER**  
**SIDE)**  
**13mm WRENCH**  
**1/2" SOCKET**

**STEP 1.2**  
**FULLY TIGHTEN**  
**(02) FAS0812,**  
**64830, 64831, &**  
**(02) FAS0861**  
**(02 PLACES PER**  
**SIDE)**  
**1/2" SOCKET**

**A.2**



**REFER TO BELOW TABLE FOR DISTANCE FROM END OF CROSSBOW**



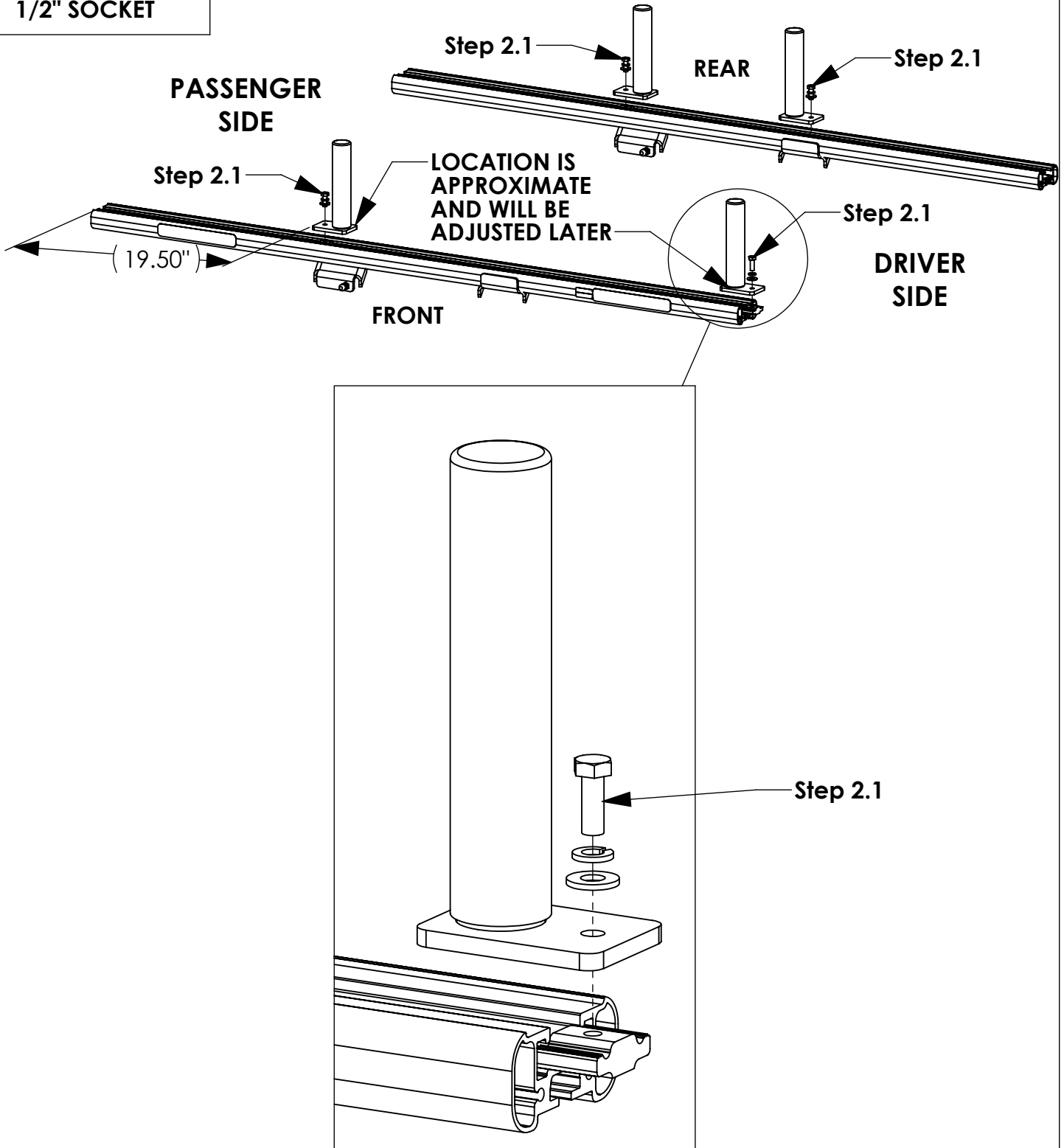
**TABLE: 68581-1**

VEHICLE	TRANSIT CONNECT LONG WB	TRANSIT CONNECT SHORT WB	PROMASTER CITY	MERCEDES METRIS LONG WB	MERCEDES METRIS SHORT WB
MEASUREMENT "A"	19 5/8"	19 5/8"	19 5/8"	19 5/8"	19 5/8"
CROSSBOW TYPE	48" CROSSBOW	48" CROSSBOW	58" CROSSBOW	58" CROSSBOW	58" CROSSBOW

**STEP 2 - MOUNT INNER STOPS TO CROSSBOW**

**Step 2.1**  
**FAS0283,**  
**FAS0552,**  
**FAS0861**  
**(2 PLACES PER**  
**SIDE)**  
**1/2" SOCKET**

**B.1**

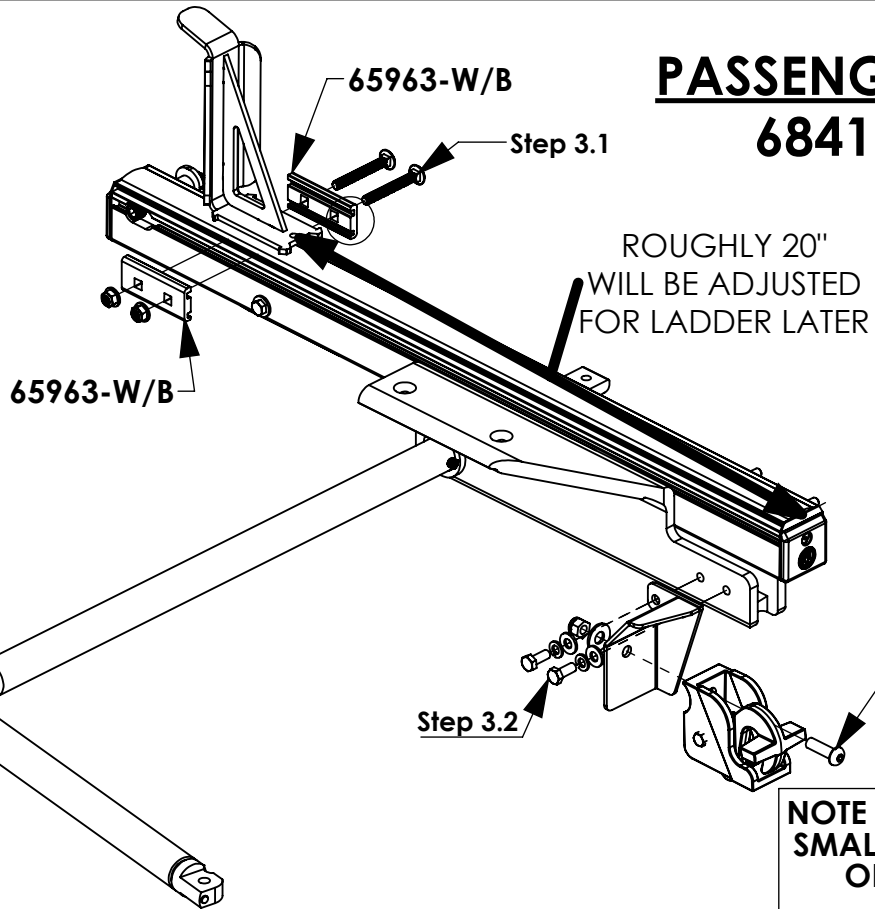


**STEP 3 - INSTALL CLAMPS AND HARDWARE ON DROP DOWN CARTRIDGES**

**REAR SUB-ASSEMBLY**

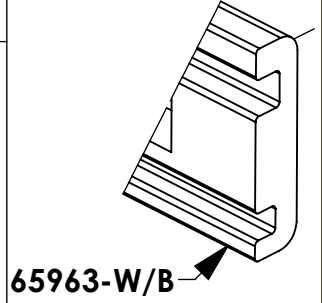
**PASSENGER SIDE**  
**68418-W**

**STEP 3.1**  
**FULLY TIGHTEN**  
FAS0838 &  
FAS0861  
(02 PLACES)  
1/2" SOCKET



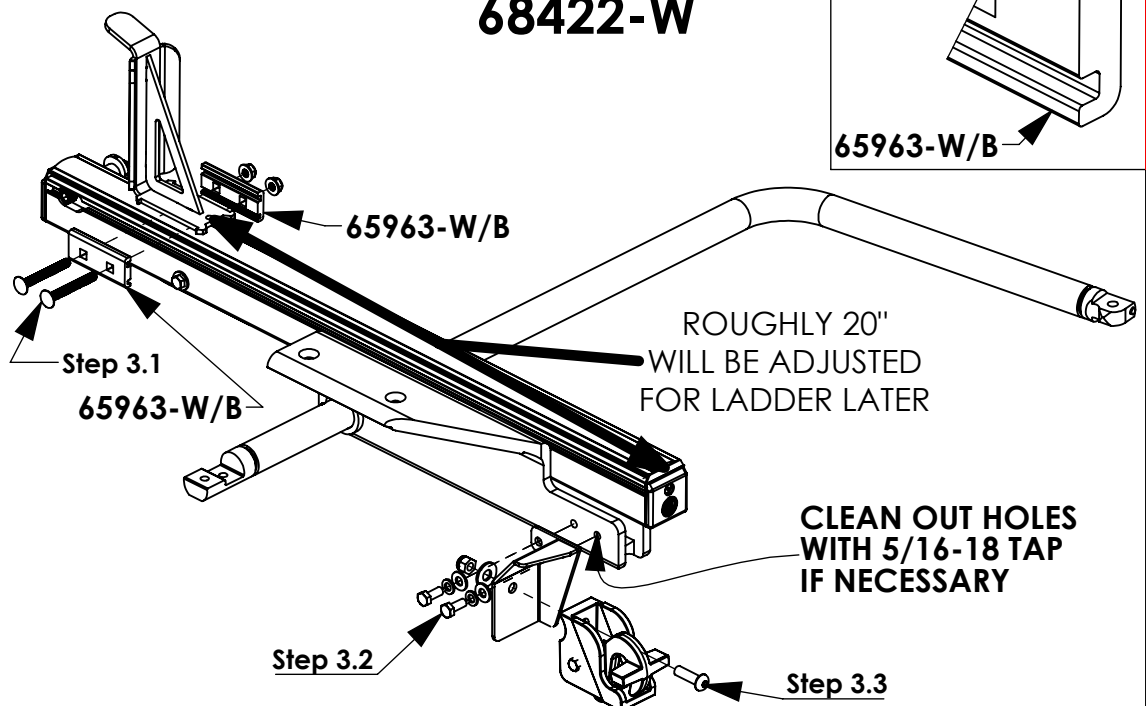
**STEP 3.2**  
**FULLY TIGHTEN**  
FAS0799,  
FAS0552, &  
FAS0588  
(02 PLACES)  
1/2" SOCKET

**NOTE ORIENTATION:**  
**SMALLER CHANNEL**  
**ON BOTTOM**



**DRIVER SIDE**  
**68422-W**

**STEP 3.3**  
**FULLY TIGHTEN**  
FAS0701, FAS0720,  
& FAS0110  
(01 PLACE)  
7/32" ALLEN  
9/16" SOCKET





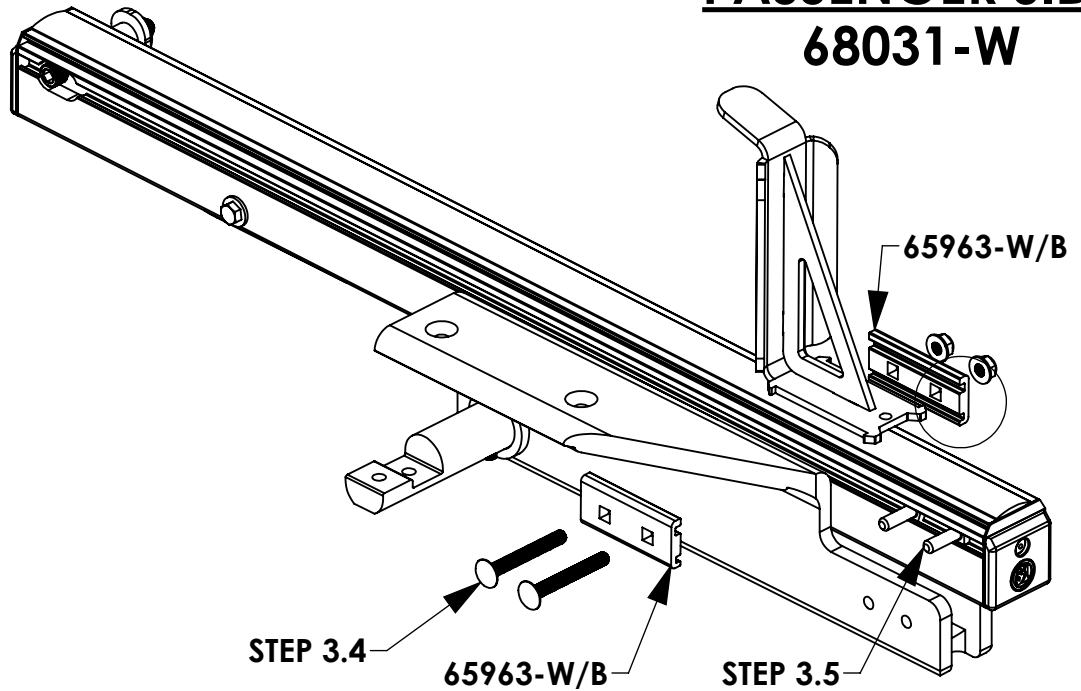
**STEP 3 - INSTALL CLAMPS AND HARDWARE ON DROP DOWN CARTRIDGES**

**FRONT SUB-ASSEMBLY**

**STEP 3.4**  
**FULLY TIGHTEN**  
**FAS0838 &**  
**FAS0861**  
**(02 PLACES)**  
**1/2" SOCKET**

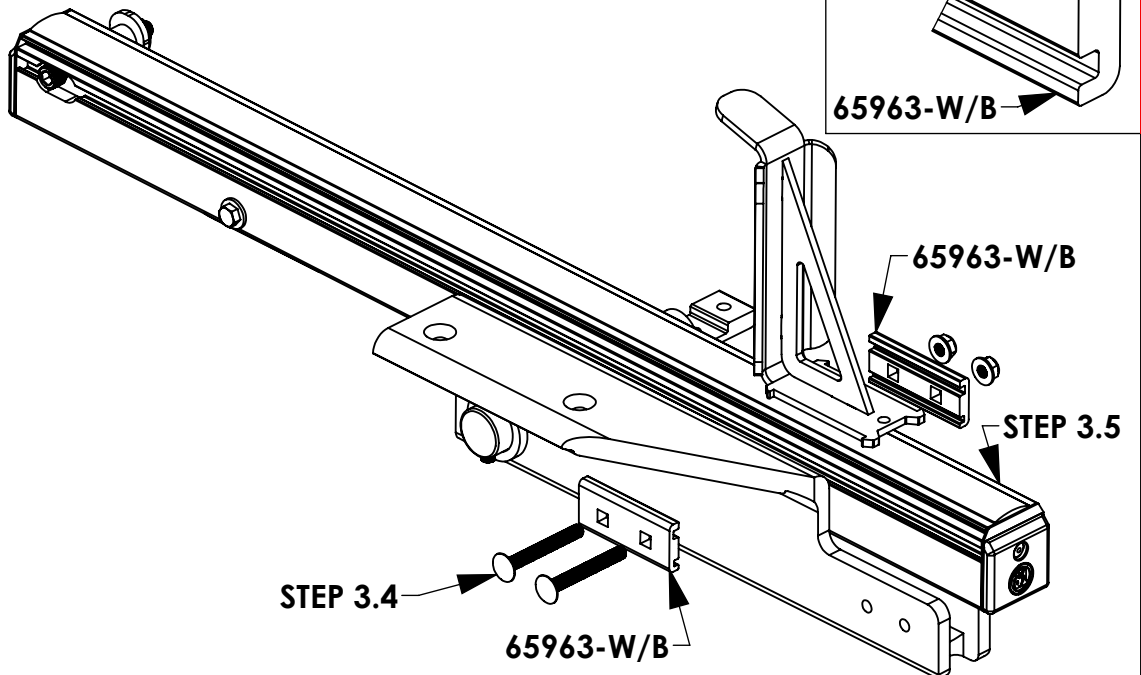
**STEP 3.5**  
**FAS0035**  
**SLIDE INTO SLOT**  
**(02 PLACES)**

**PASSENGER SIDE**  
**68031-W**



**NOTE ORIENTATION:**  
**SMALLER CHANNEL**  
**ON BOTTOM**

**DRIVER SIDE**  
**68013-W**



**65963-W/B**

**STEP 3.4**

**65963-W/B**

**STEP 3.5**

**65963-W/B**



**REFERENCE INSTALLATION GUIDE 68895 TABLES 1-3  
INSTALLATION OF A.1, A.2, B.1, & B.2 SHOULD BE  
COMPLETE BEFORE PROCEEDING TO STEP 4**

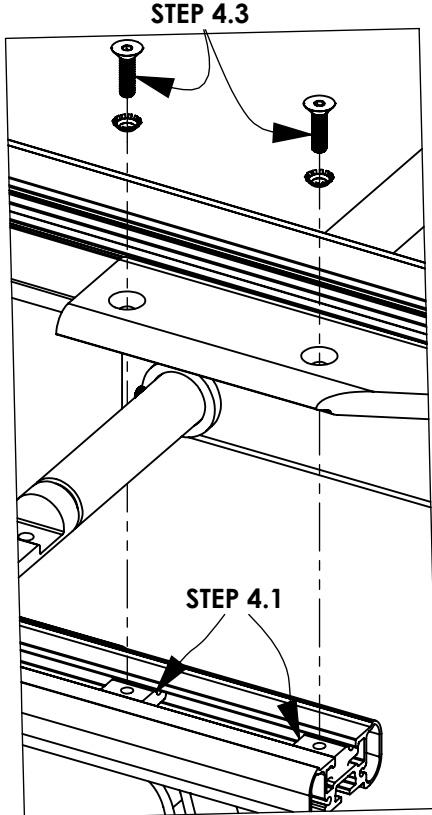
**STEP 4 - INSTALL CARTRIDGES ON CROSSBOWS**

**STEP 4.1**  
SLIDE 63490 INTO  
END OF  
CROSSBOWS

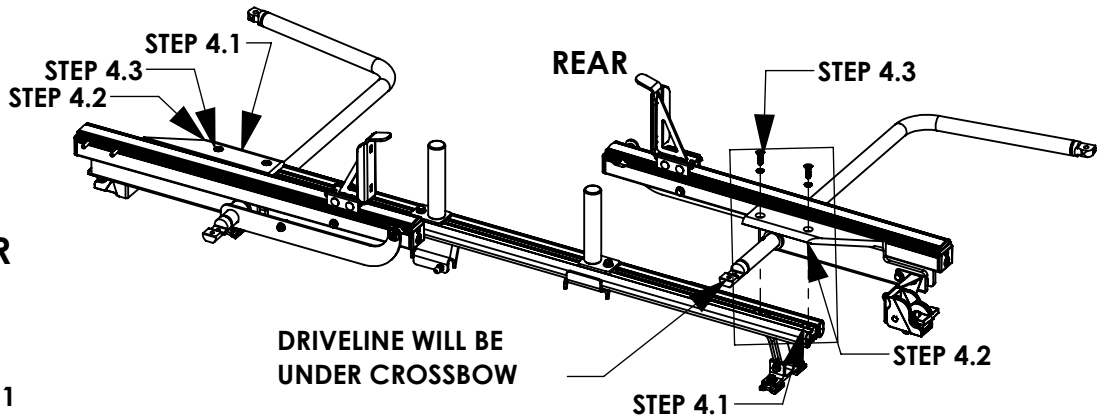
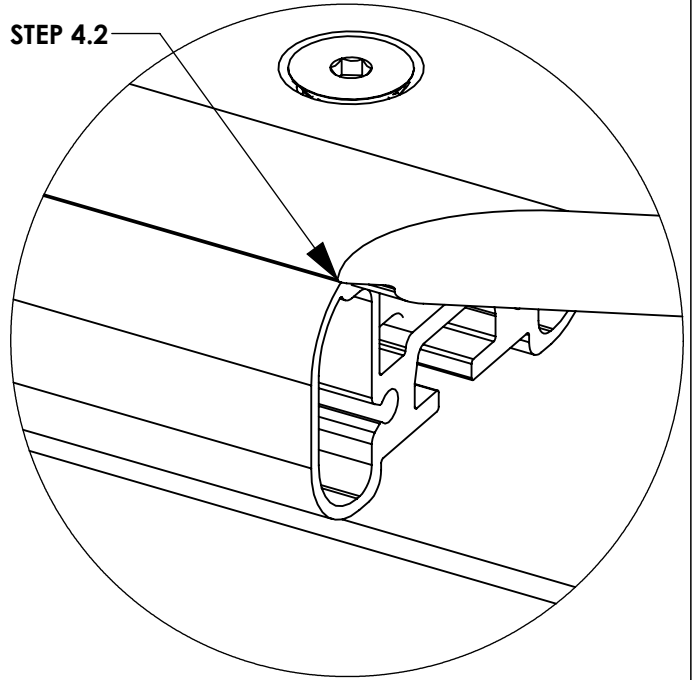
**C.1**

**STEP 4.2**  
LINE UP CORNERS  
WITH END OF  
CROSSBOW

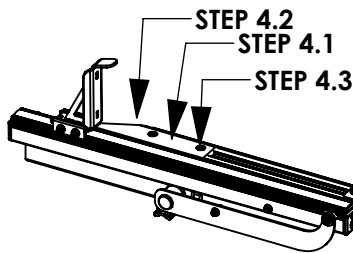
**STEP 4.3**  
FULLY TIGHTEN  
(02) FAS0856,  
(02) FAS0857, &  
(02) 63490  
(02 PLACES PER  
SIDE)  
3/16" ALLEN



STEP 4.2

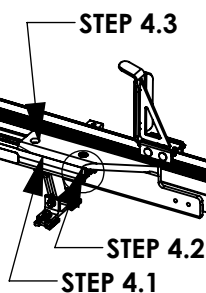


**PASSENGER  
SIDE**



**FRONT**

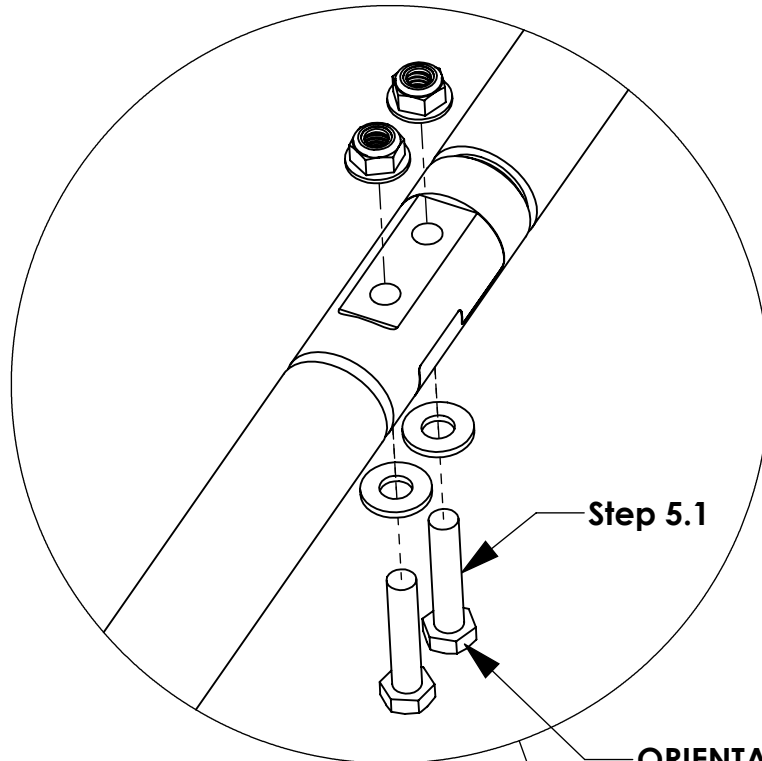
**DRIVER  
SIDE**



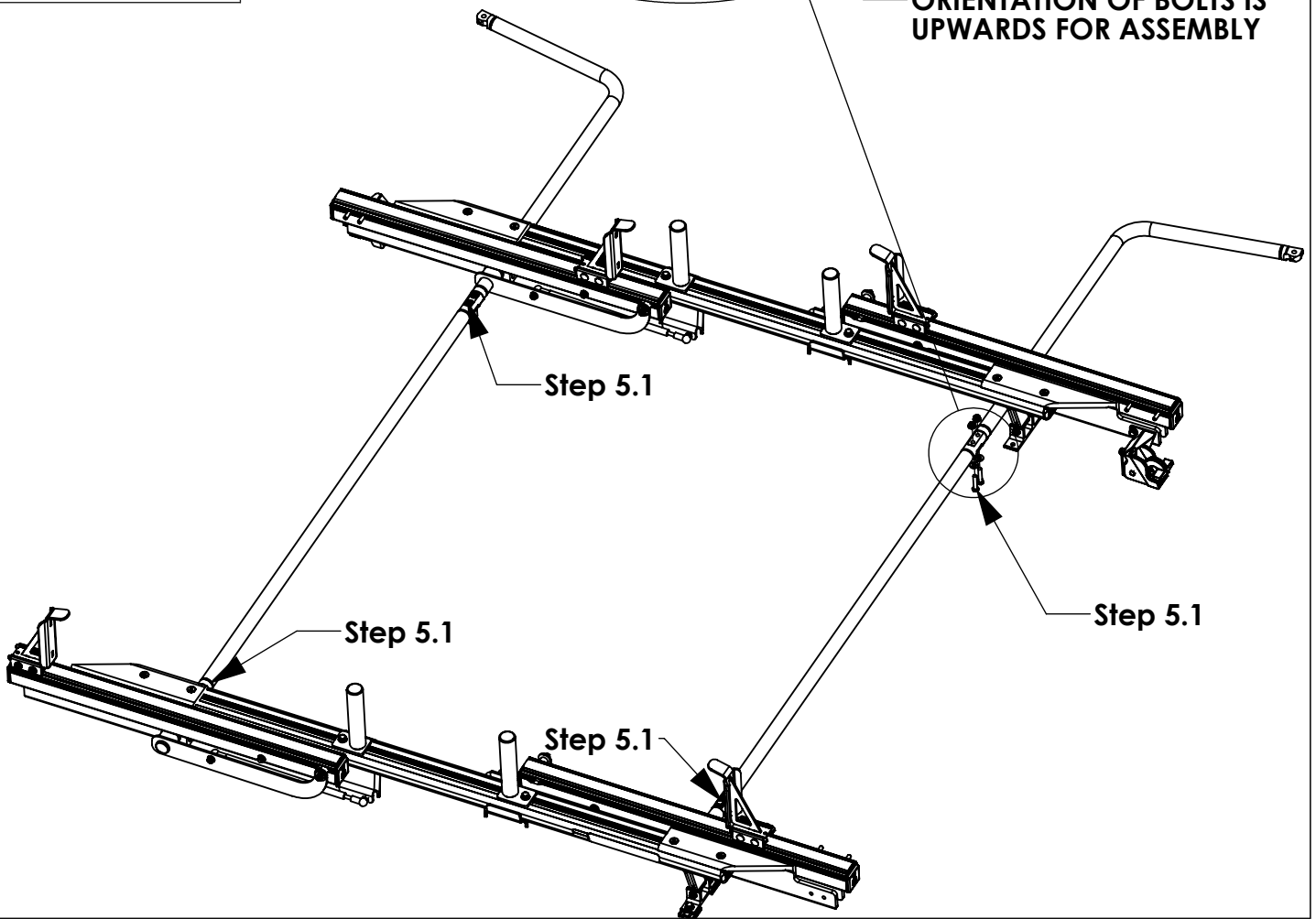
# STEP 5 - INSTALL DRIVELINE

**STEP 5.1**  
**FULLY TIGHTEN**  
**FAS0242, FAS0552**  
**& FAS0861**  
**(04 PLACES PER**  
**SIDE)**  
**1/2" WRENCH**  
**1/2" SOCKET**

**BEST PRACTICE:**  
**WHEN INSTALLING**  
**BOLTS OPEN RACK**  
**ROUGHLY 45**  
**DEGREES FOR**  
**EASIER ACCESS &**  
**INSTALLATION**



**ORIENTATION OF BOLTS IS UPWARDS FOR ASSEMBLY**

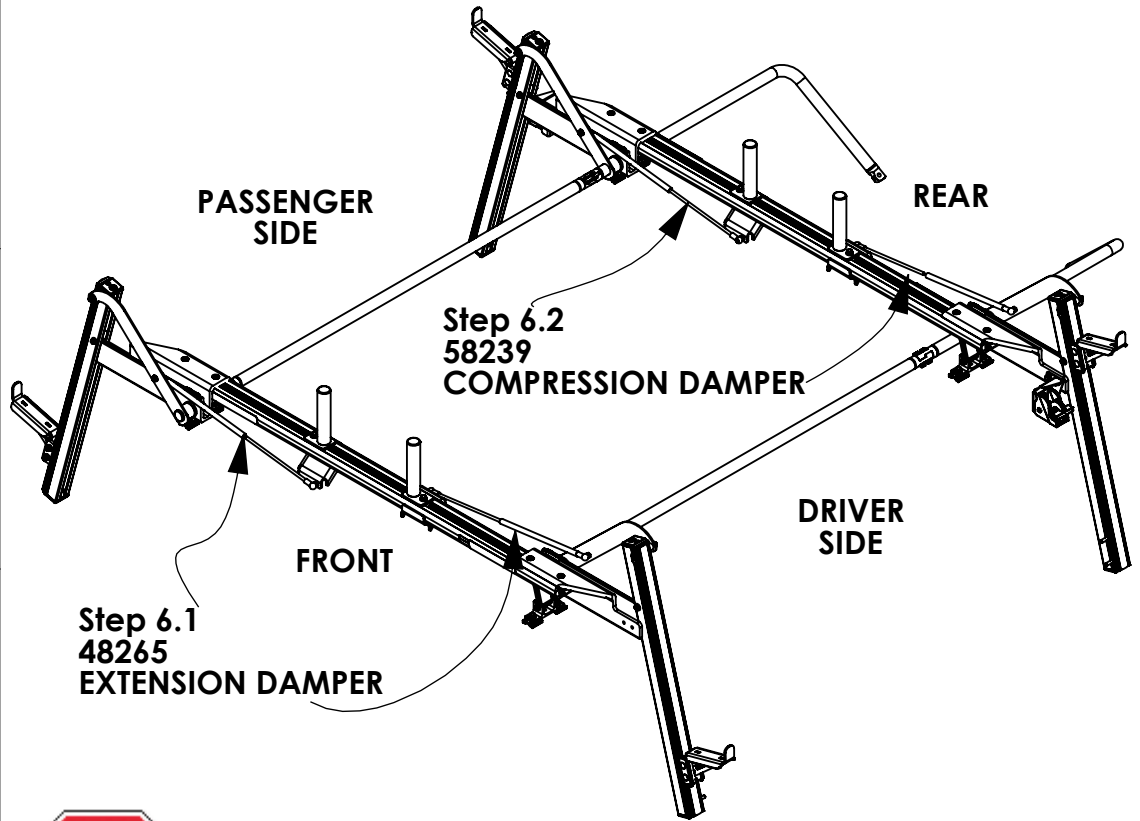


# STEP 6 - DEPLOY RACK & INSTALL DAMPERS AND DROP DOWN HANDLE

Step 6.1  
 ATTACH EXTENSION  
 DAMPERS (48625) TO  
 BALL STUDS.  
ORIENTATION OF  
 DAMPER MATTERS!!!  
 (01 PLACE PER SIDE)

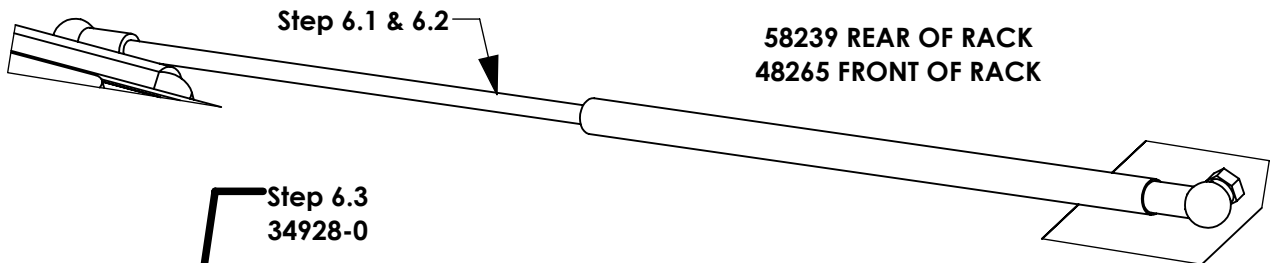
Step 6.2  
 ATTACH  
 COMPRESSION  
 DAMPERS (58239) TO  
 BALL STUDS.  
ORIENTATION OF  
 DAMPER MATTERS!!!  
 (01 PLACE PER SIDE)

Step 6.3  
 INSERT LOCKING  
 PINS (34928-0)  
 AFTER MOUNTING  
 DAMPERS TO BALL  
 STUDS  
 (04 PLACES PER SIDE)

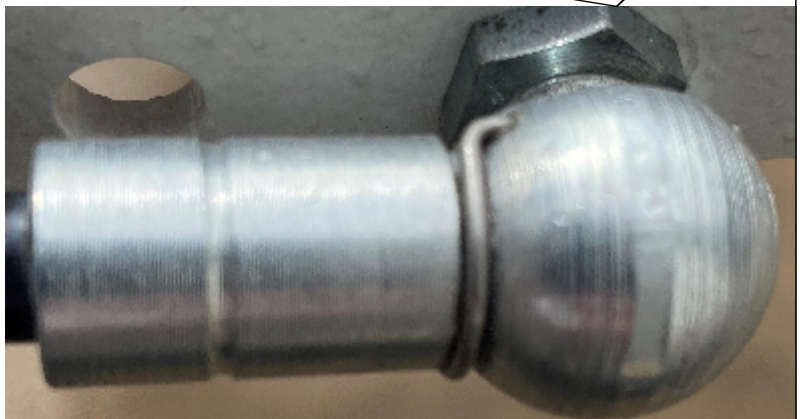
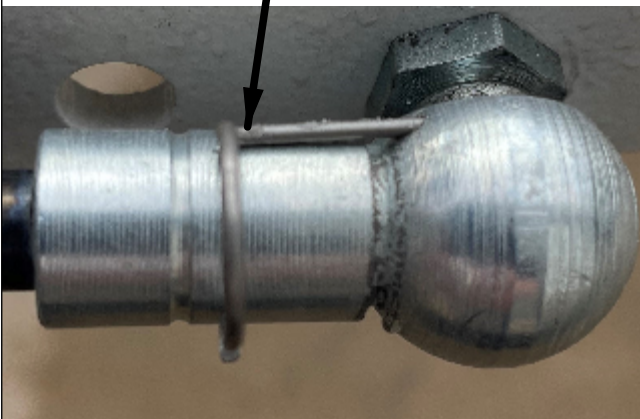


## ORIENTATION OF DAMPER MATTERS!!!!

LARGE CYLINDER OF DAMPER ATTACHES TO ARM  
 SMALL ROD END ATTACHES TO DAMPER BRACKET

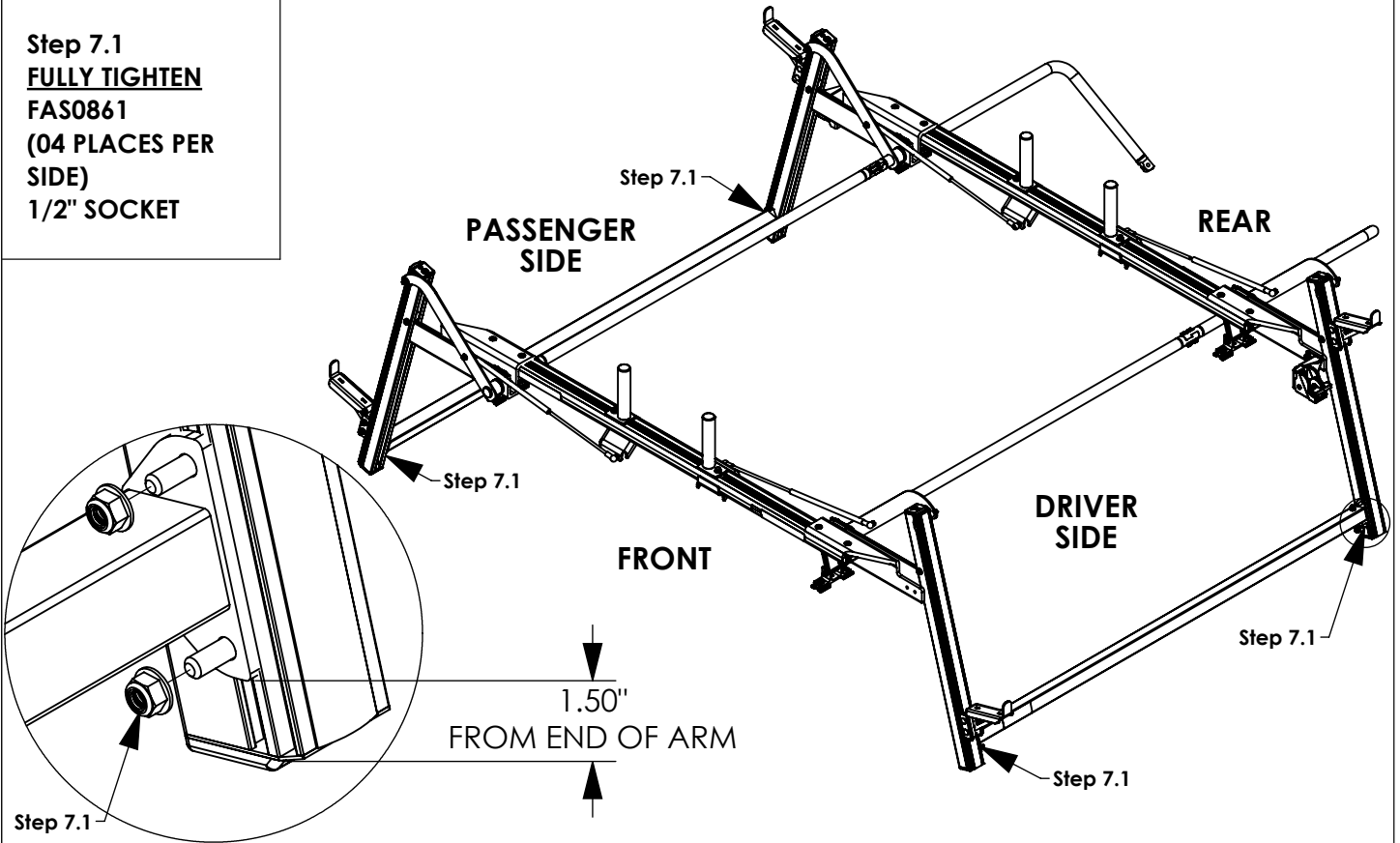


Step 6.3  
 34928-0



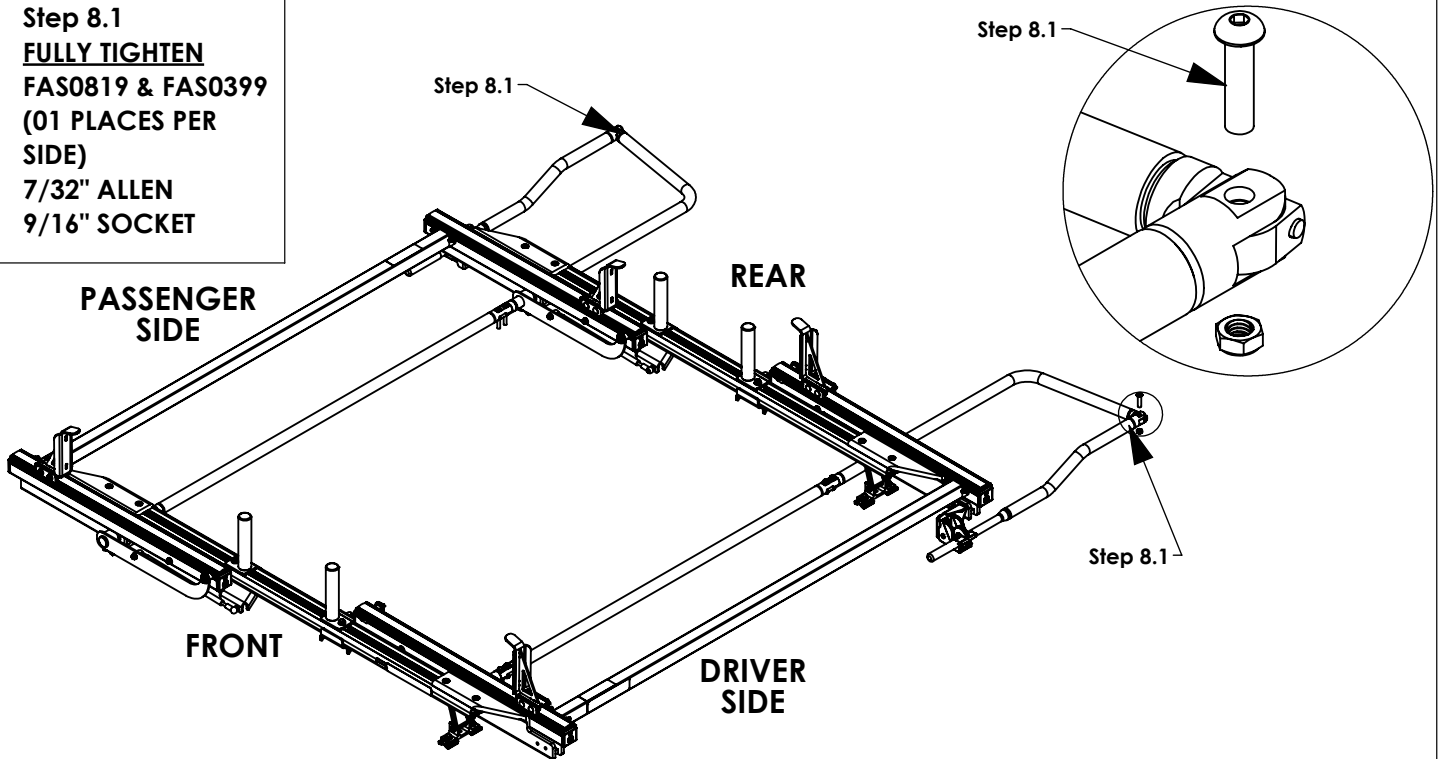
# STEP 7 - WHILE RACK DEPLOYED INSTALL O.S. BAR

Step 7.1  
**FULLY TIGHTEN**  
FAS0861  
(04 PLACES PER  
SIDE)  
1/2" SOCKET



# STEP 8 - INSTALL DROP DOWN HANDLE

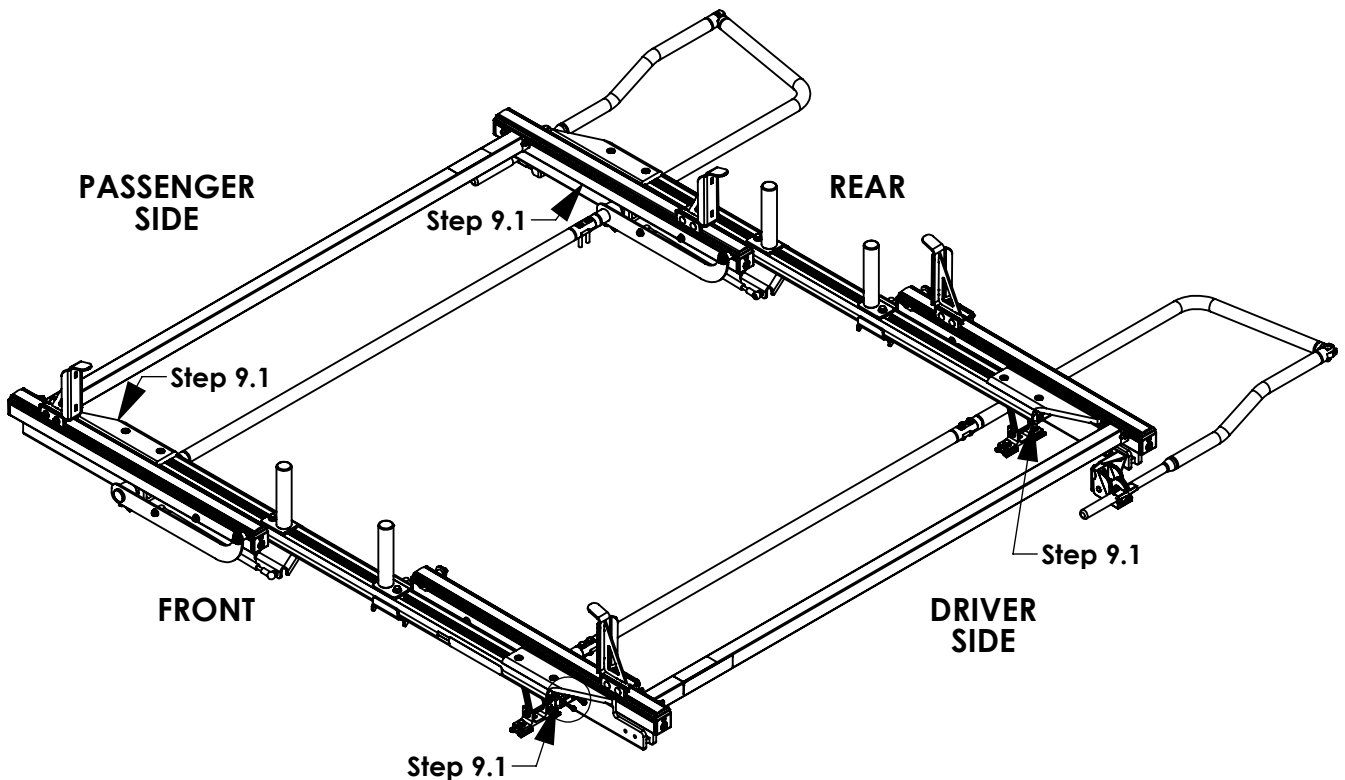
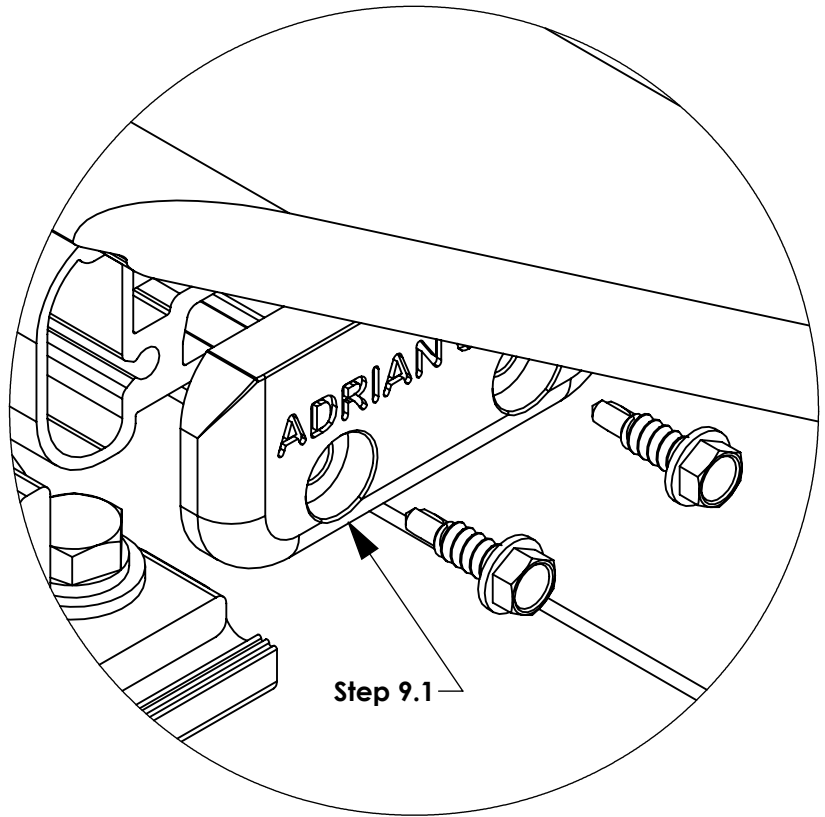
Step 8.1  
**FULLY TIGHTEN**  
FAS0819 & FAS0399  
(01 PLACES PER  
SIDE)  
7/32" ALLEN  
9/16" SOCKET



**MAKE SURE ALL FASTENERS ARE TIGHTENED!!! INSTALLATION IS COMPLETE**

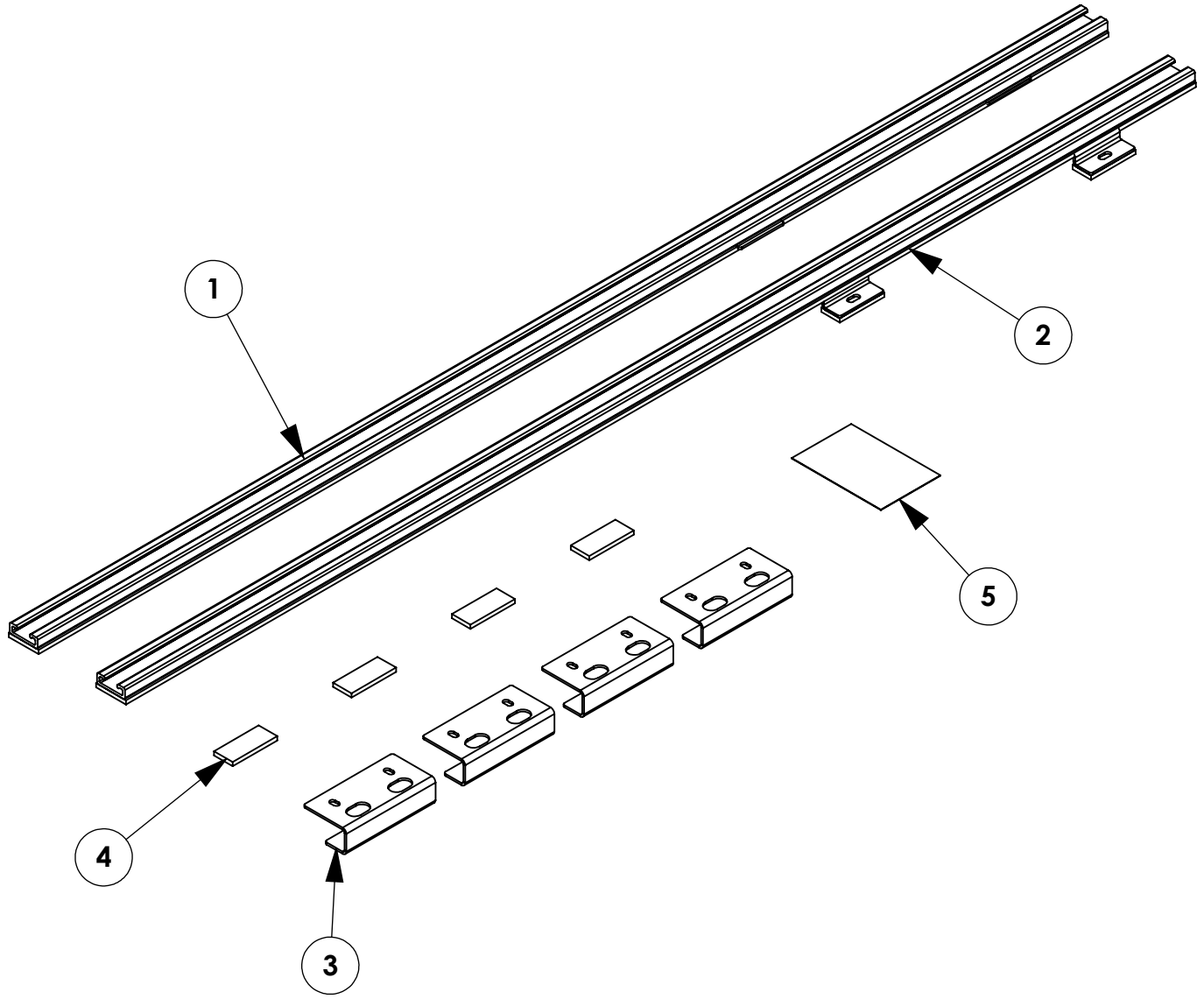
**STEP 9 - INSTALL CROSSBOW END CAPS**

**Step 9.1**  
**FULLY TIGHTEN**  
**(02) AS0473, 65961**  
**(02 PLACES PER**  
**SIDE)**  
**3/8" SOCKET**



**MAKE SURE ALL FASTENERS ARE TIGHTENED!!! INSTALLATION IS COMPLETE**

INSTR. NUMBER	PG:	REV:	ITEM NO.	PART NUMBER	DESCRIPTION	QTY.
<b>70738</b>	<b>1</b>	<b>A</b>	1	70734	ROOF RAIL, TCS, PS, W/ FOAM	1
<b>PART NUMBER : RRKTCS</b>			2	70736	ROOF RAIL, TCS, DS, W/ FOAM	1
<b>PART DESC. : ROOF RAIL KIT, TCS</b>			3	70737	ROOF RAIL MTG, TCS	4
			4	45265	GASKET, FOOT, TC	4
			5	BAGRRTCS	FAS BAG, RRKTCL	1



- TOOLS NEEDED:**
- 1/2" SOCKET
  - 1/2" WRENCH
  - DRIVE RATCHET
  - RUBBER MALLET
  - IMPACT DRIVER
  - PLUSNUT GUN

**GET TO KNOW THE VEHICLE** - AT THE BEGINNING OF ANY INSTALLATION, CHECK THE LOCATION OF THE FUEL TANK, FUEL LINES, BRAKE LINES, HIGH VOLTAGE BATTERIES AND WIRING HARNESSSES TO AVOID INJURY OR PROPERTY DAMAGE FROM TOOL CONTACT.

**SEAL ALL EXTERIOR HOLES** - ALL INSTALLATION HOLES SHOULD BE SEALED WITH BUTYL TAPE OR SILICON TO PREVENT WATER AND EXHAUST GASES FROM ENTERING THE VEHICLE.

**CONTROL DRILL DEPTH** - TO AVOID DAMAGE TO THE VEHICLE, USE A DRILL STOP OR CLEARED STEP BIT WHEN DRILLING INSTALLATION HOLES.

**ALWAYS ADD PRIMER** - WHEN ADDING INSTALLATION HOLES BE SURE TO USE A SELF-ETCHING PRIMER TO PREVENT CORROSION, FASTENER FAILURE AND INJURY.

**MOUNTING POINTS MUST HAVE METAL-TO-METAL CONTACT** - USE PROVIDED MOUNTING SPACERS TO ACCOMMODATE FOR VEHICLE FEATURES, CARPET OR SUBFLOORS.

**PROVIDE CLEARANCE FOR SPACERS** - IF THE INSTALLATION VEHICLE CONTAINS A CARPET OR SUBFLOOR, USE A 1-3/16" DIAMETER CARPET CUTTER (P/N: 31183-0) AT ALL MOUNTING LOCATIONS TO OPEN UP ROOM FOR SPACERS.

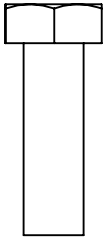
**CHECK SPACER ORIENTATION** - BE SURE THAT THE INDENT IN THE SPACER COVERS THE PLUSNUT HEAD; THIS ENSURES THE MOST METAL-TO-METAL CONTACT AND REDUCES VIBRATION.

**PLUSNUT INSTALLATION** - A PLUSNUT GUN IS RECOMMENDED FOR PLUSNUT INSTALLATION FOR ITS PRODUCTION SPEED. HOWEVER, A PLUSNUT SETTING TOOL CAN ALSO BE USED (P/N: 22200-0).

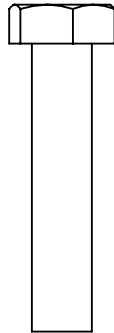
**THRU-BOLT CLEARANCE** - WHEN USING A THRU-BOLT AT ANY MOUNTING LOCATION, BE SURE THAT YOUR HOLE HAS 1/16" CLEARANCE.



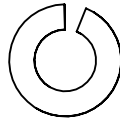
**FASTENERS USED**



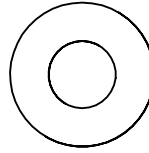
**FAS0597**  
5/16-18 X 1  
SS HH SCREW  
QTY:4



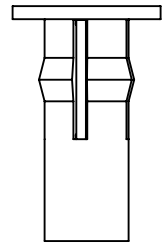
**FAS0242**  
5/16-18 X 1.5 SS  
HH SCREW  
QTY:8



**FAS0588**  
5/16 SS  
SPL WASHER  
QTY:12



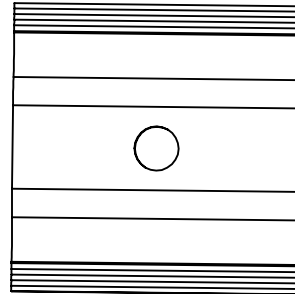
**FAS0552**  
5/16 SS  
FLAT WASHER  
QTY:12



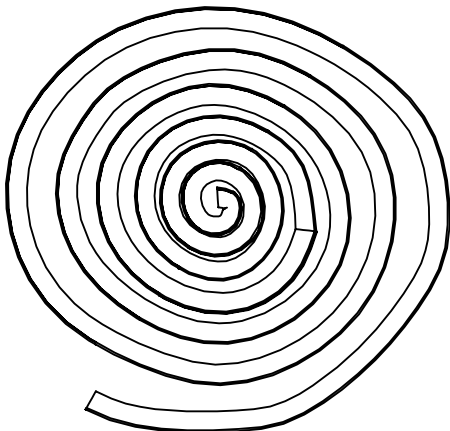
**FAS0091**  
5/16-18 PB  
PLUSNUT  
QTY:8



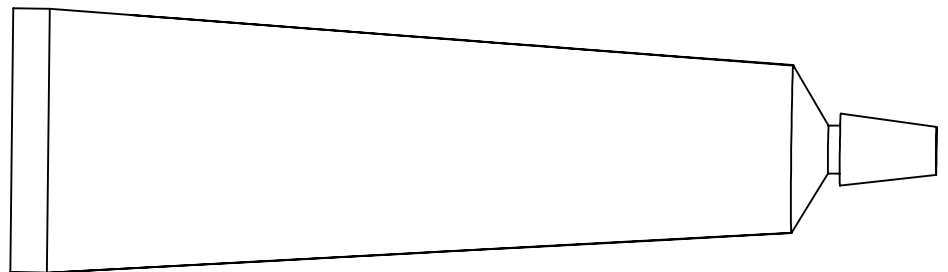
**36496-0**  
END CAP  
RAIL EXT #2  
QTY:4



**35335-0**  
SLIDE, 1.5"  
AD RAIL  
QTY:4



**05586-0**  
BUTYL TAPE  
QTY:1

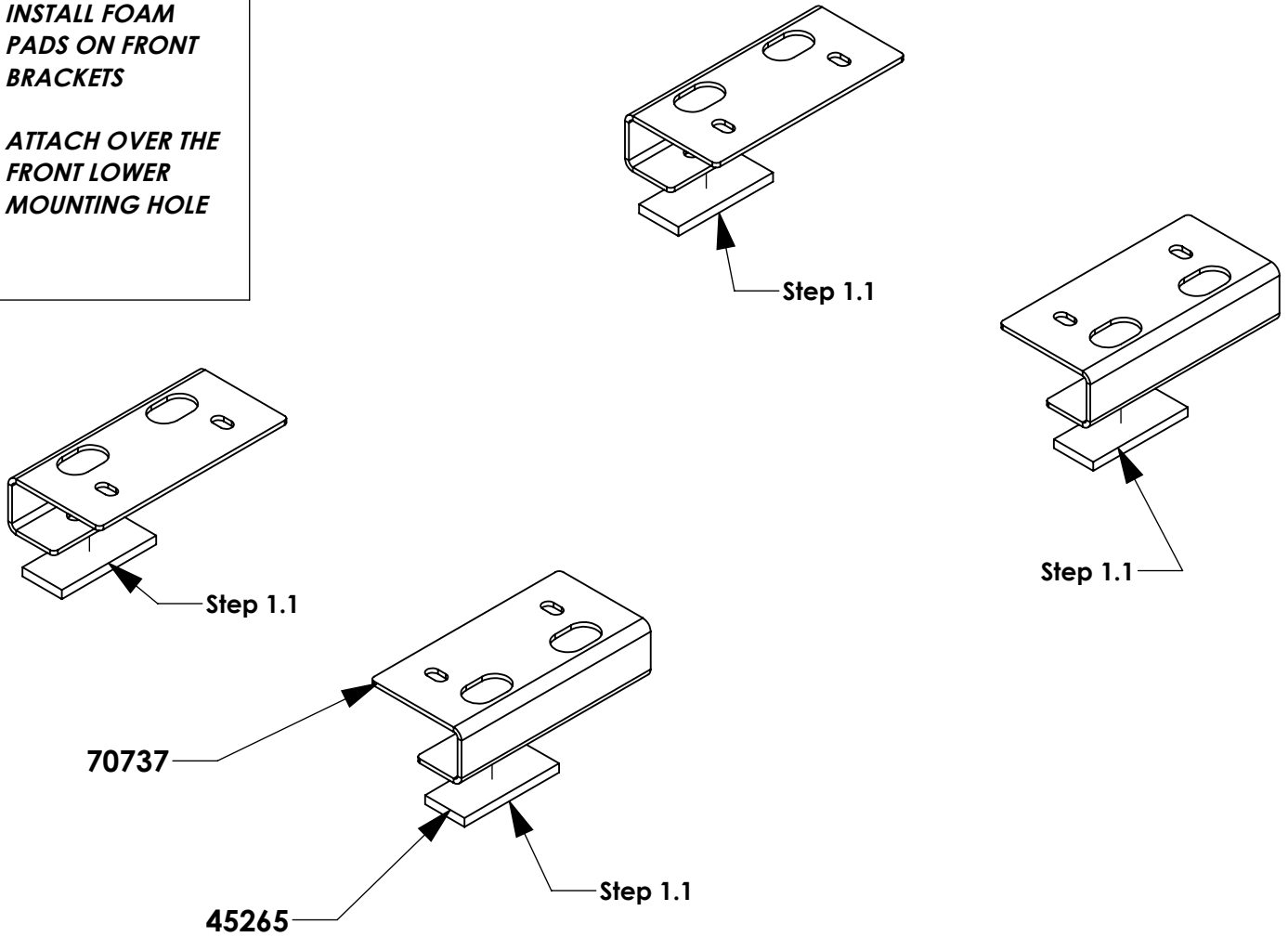


**266186-0**  
SILICONE  
SEALANT  
QTY:1

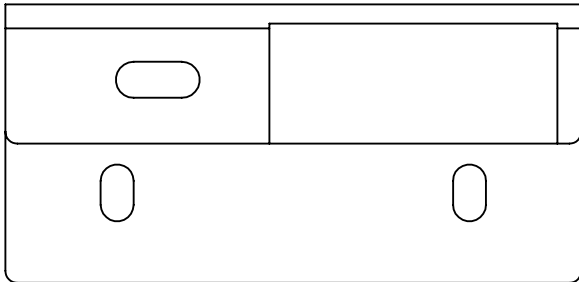
**STEP 1 - INSTALL FOAM ON FRONT BRACKETS**

**STEP 1.1  
INSTALL FOAM  
PADS ON FRONT  
BRACKETS**

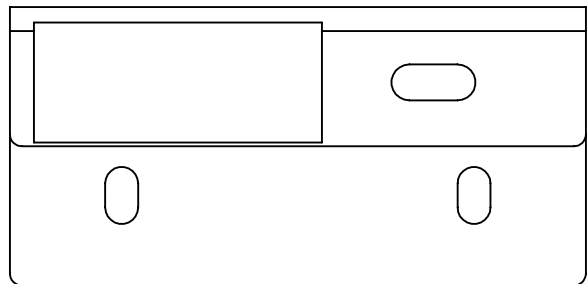
**ATTACH OVER THE  
FRONT LOWER  
MOUNTING HOLE**



**NOTE ORIENTATION:**  
**ATTACH PAD OVER FRONT LOWER MOUNTING HOLE**



**PASSENGER SIDE**

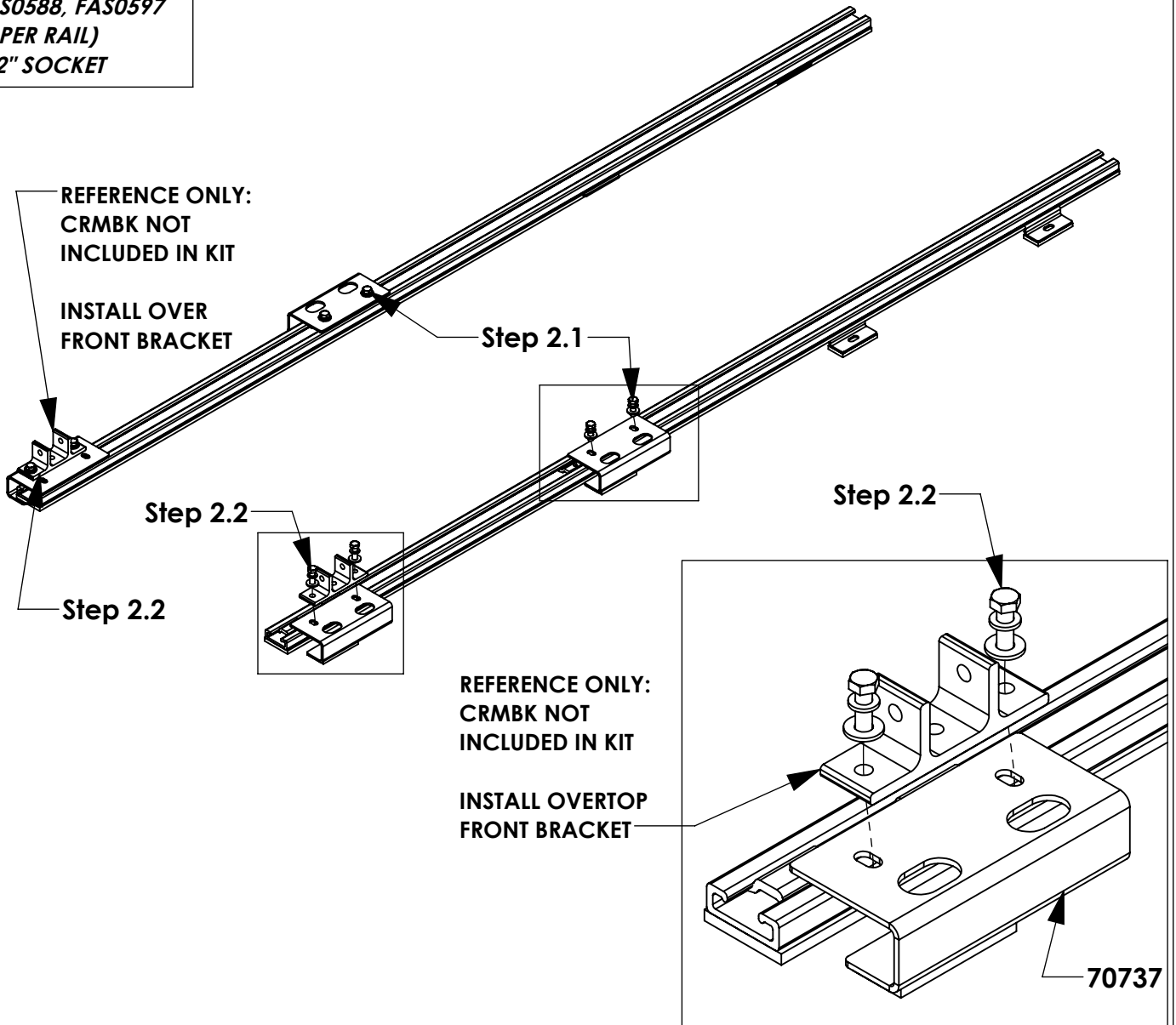
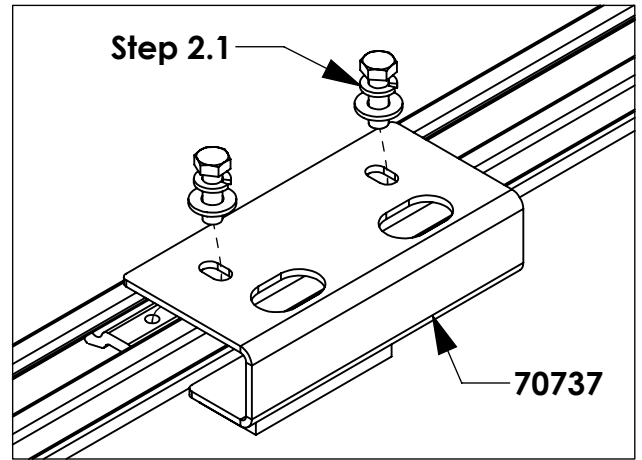


**DRIVER SIDE**

**STEP 2 - LOOSE INSTALL BRACKET ON ROOF RAILS**

**STEP 2.1**  
**LOOSELY**  
**ASSEMBLE MIDDLE**  
**FRONT BRACKET**  
**UNTIL AFTER STEP 5**  
**35335-0, FAS0552,**  
**FAS0588, FAS0597**  
**(2 PER RAIL)**  
**1/2" SOCKET**

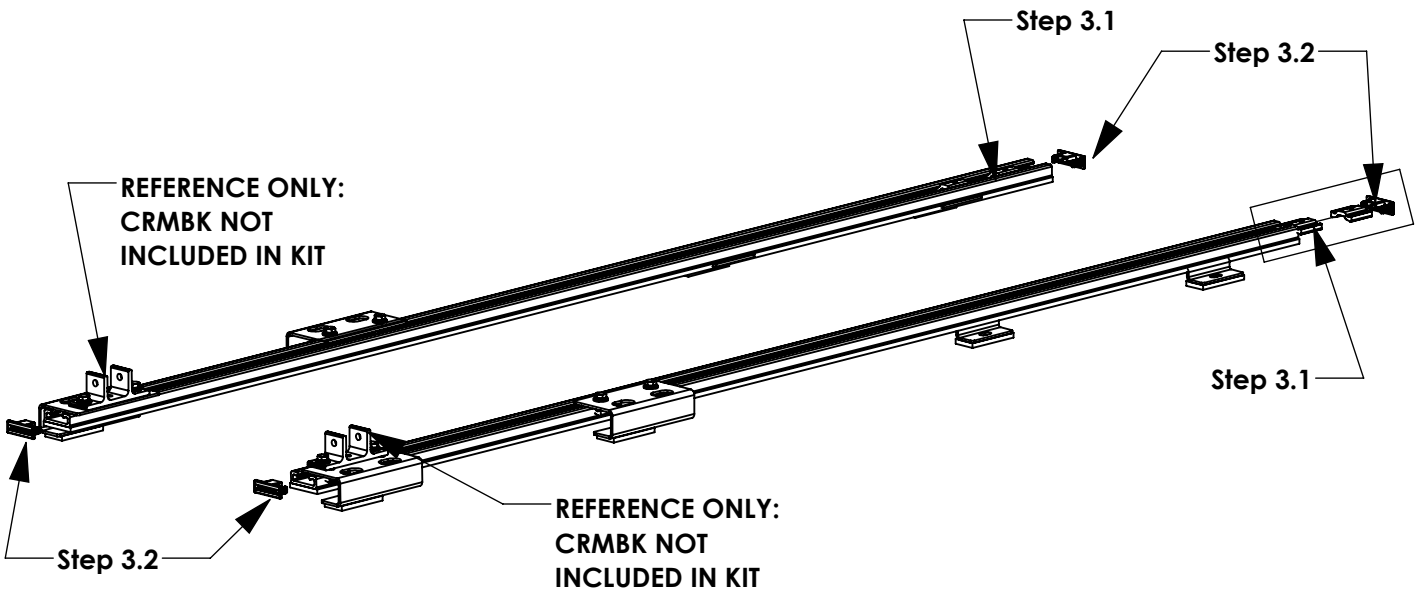
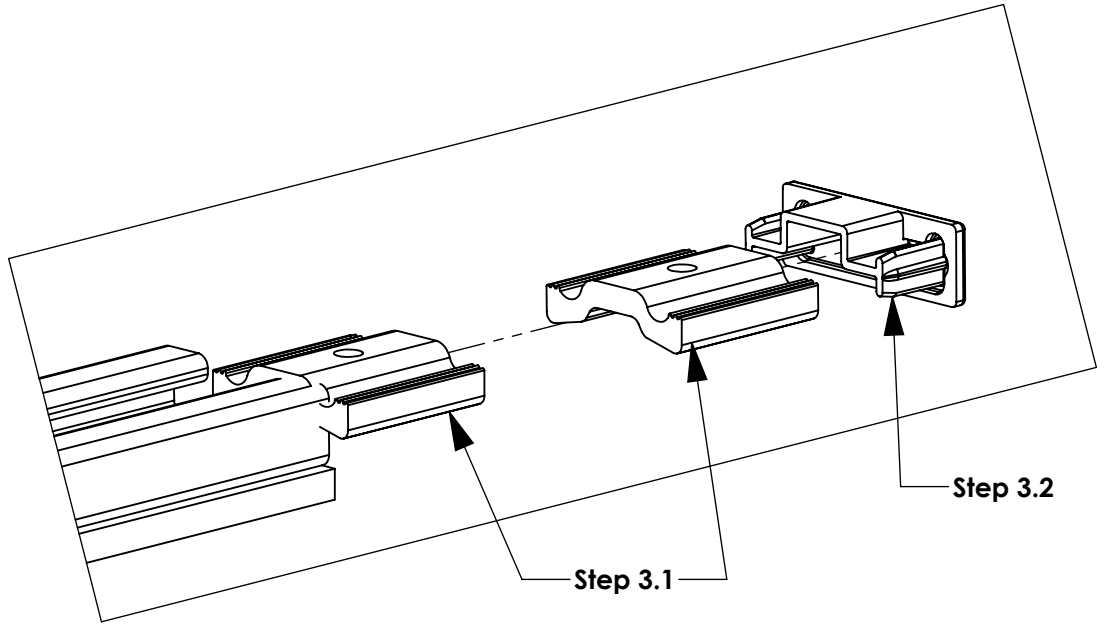
**STEP 2.2**  
**LOOSELY**  
**ASSEMBLE FRONT**  
**BRACKET UNTIL**  
**AFTER STEP 5**  
**35335-0, FAS0552,**  
**FAS0588, FAS0597**  
**(2 PER RAIL)**  
**1/2" SOCKET**



**STEP 3 - ADD CRMBK SLIDES AND RAIL END CAPS**

**STEP 3.1**  
**ADD CRMBK SLIDES**  
**35335-0**  
**2 SLIDES PER END**  
**RAIL**

**STEP 3.2**  
**INSTALL RAIL END**  
**CAPS ONTO RAIL**  
**ENDS**  
**(2 PLACES PER**  
**RAIL)**  
**RUBBER MALLET**



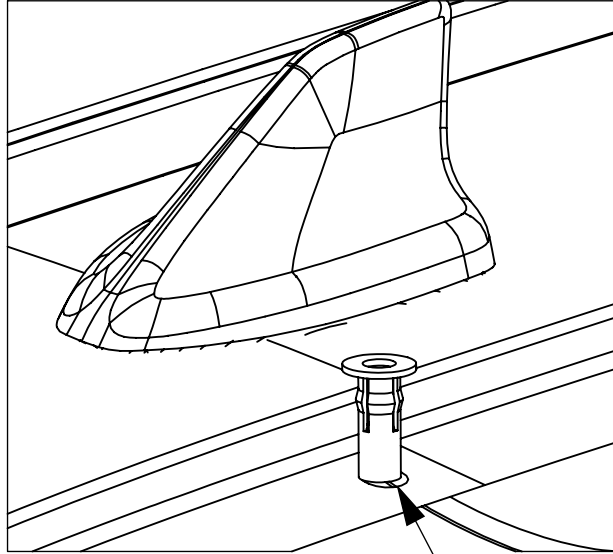
**STEP 4 - SET PLUSNUTS IN ROOF**

**STEP 4.1  
REMOVE OEM  
PLASTIC PLUGS  
FROM ALL 8  
LOCATIONS**

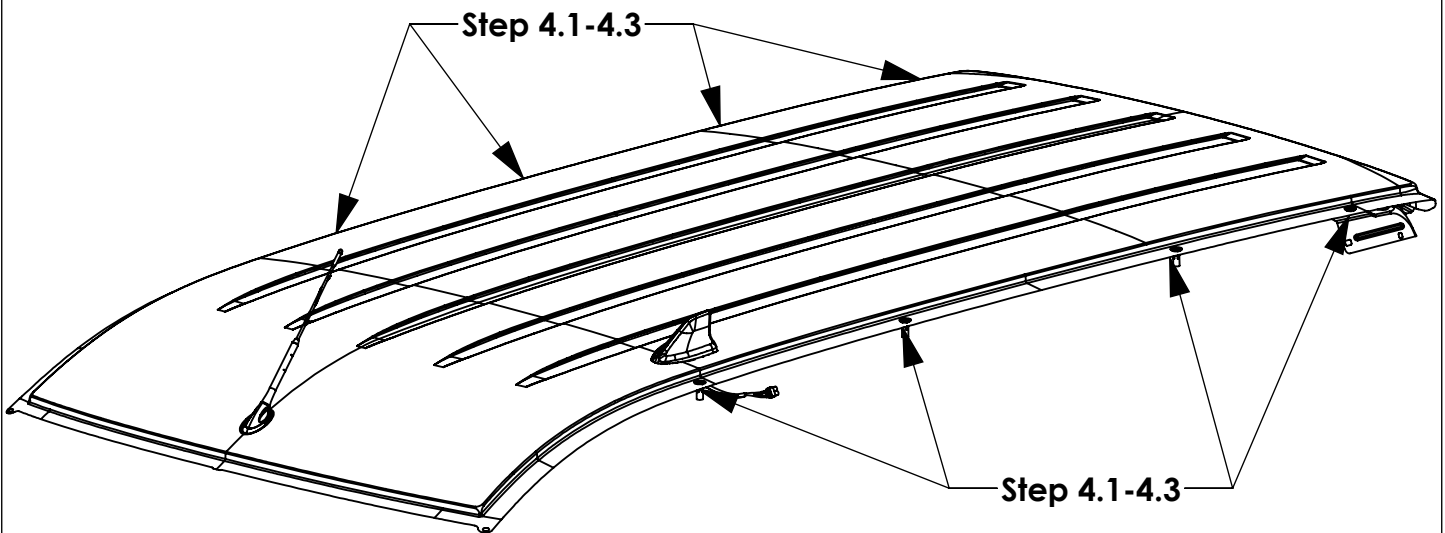
**STEP 4.2  
CHECK FOR CLEAR  
DRILL PATH BELOW  
(WIRING,  
AIRBAGS, ETC.)**

**STEP 4.3  
APPLY PRIMER TO  
HOLE EDGES**

**STEP 4.4  
APPLY BUTYL TAPE  
TO PLUSNUTS & SET  
IN ROOF  
FAS0091  
(8 LOCATIONS)  
PLUSNUT GUN**



**Step 4.4**



**Step 4.1-4.3**

**Step 4.1-4.3**

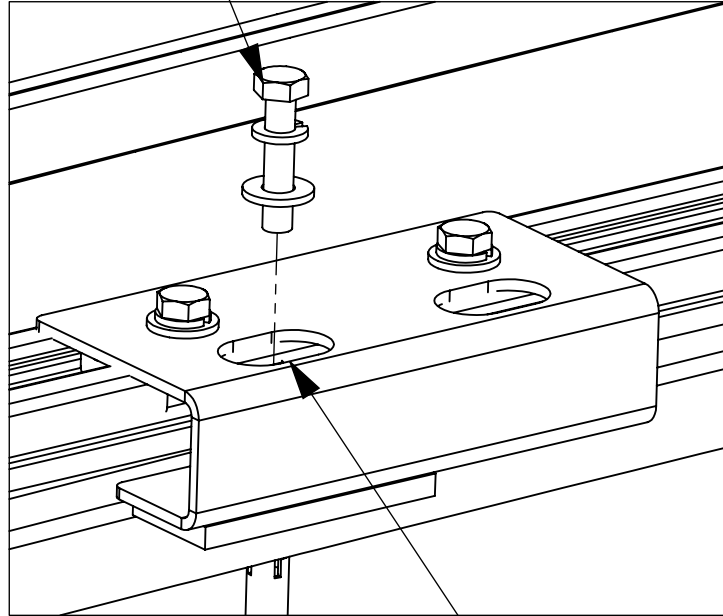
**STEP 5 - ATTACH RAILS TO ROOF**

**STEP 5.1**  
**ATTACH RAILS TO**  
**ROOF**  
**FAS0552, FAS0588,**  
**FAS0242**

**USE SILICONE ON**  
**BOTTOM THREADS**  
**(4 PER RAIL)**  
**1/2" SOCKET**

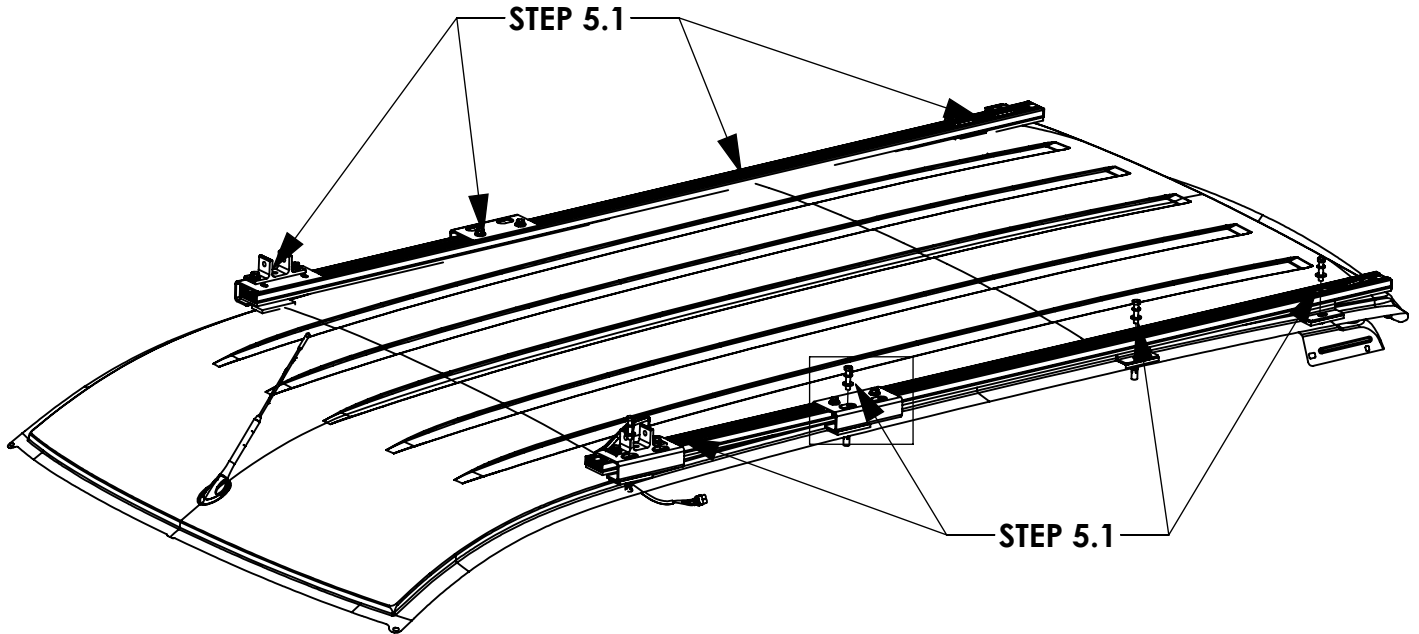
**MOUNT TO**  
**PLUSNUTS SET IN**  
**LAST STEP**

**STEP 5.1**



**USE FRONT CLEARANCE HOLE ON ADD-ON BRACKETS**

**STEP 5.1**

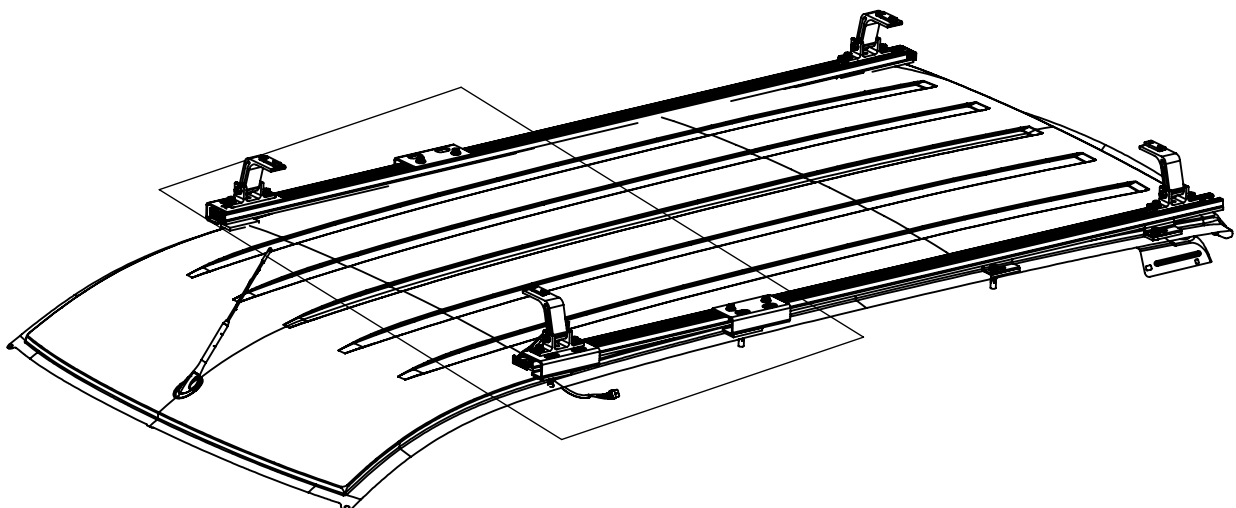
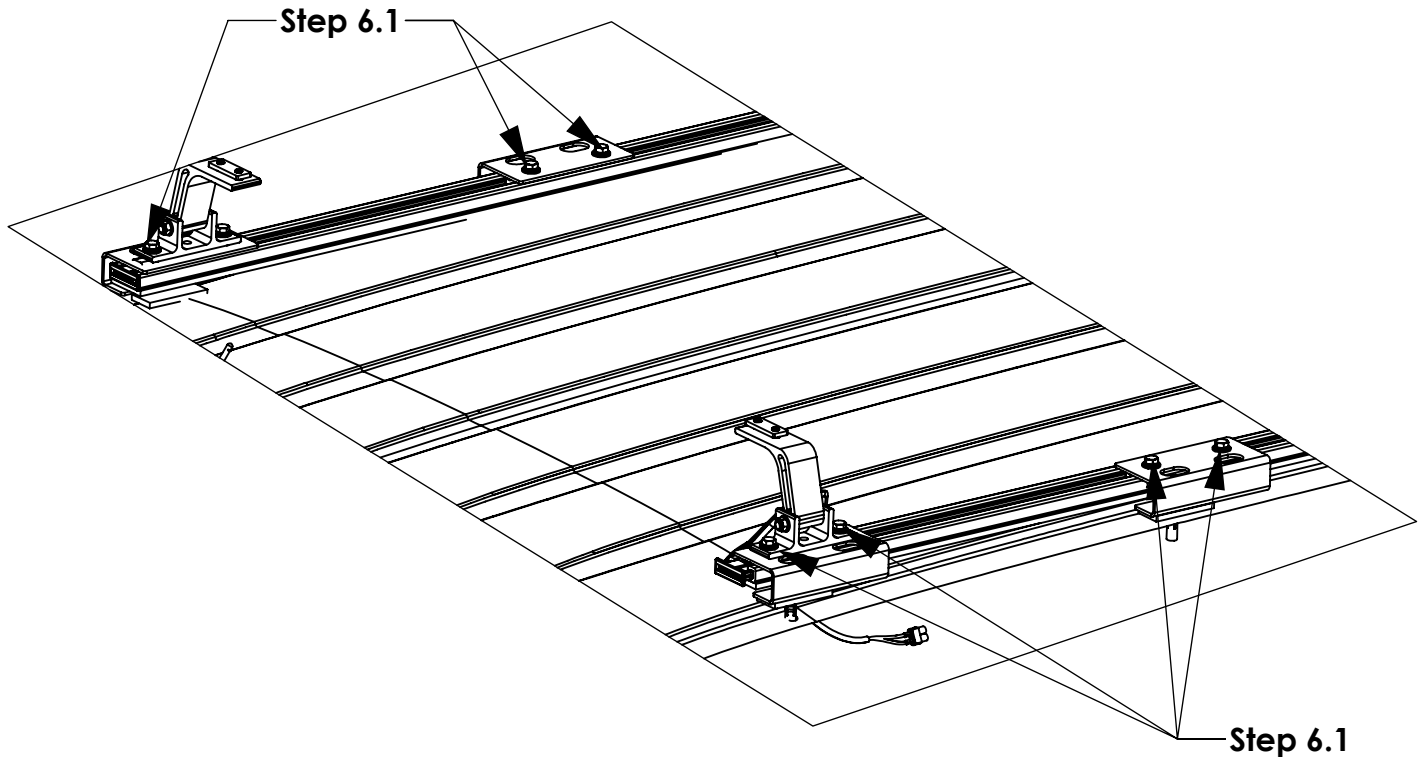


**STEP 5.1**

**STEP 6 - TIGHTEN DOWN BRACKETS**

**STEP 6.1**

**FULLY TIGHTEN  
FASTENERS FROM  
STEP 2  
(2 PER RAIL)  
1/2" SOCKET**



**MAKE SURE ALL FASTENERS ARE TIGHTENED!!! INSTALLATION IS COMPLETE**



## 2-Crossbar Kit, 48", White, Multiple Pickups



PRODUCT WEIGHT  
**13.4 LBS**

CROSSBOW LENGTH X  
HEIGHT

**49" x 2"**

CAPACITY

**REFER TO OEM'S  
RECOMMENDED LOAD  
RATING**

COLOR

**WHITE**

CATALOG NUMBER

**2BARTOPW**

### PRODUCT FEATURES

Aluminum base 2-crossbow kit for PROFILE™ HD Utility, Grip-Lock, ProLift, or combo ladder racks. Works with all ARE and Leer toppers for all cab styles and bed lengths. Works with and without OEM specific rail kit and generic mounting bracket kits.

Additional crossbows and optional uprights, conduit kits, and rear rollers available.

Utility and grip lock ladder racks are not recommended for medium and high roof vehicles!

Please refer to OEM specific mounting kit or rail kit for additional information on compatible accessories.



# INSTALLATION GUIDE FOR PROFILE™ SERIES LADDER RACKS

INSTRUCTION #:  
**68895**

REV:  
**B**

THIS INSTRUCTION PROVIDES A GENERAL GUIDE OF INSTALLATION SEQUENCE FOR ALL PROFILE™ SERIES LADDER RACKS. PLEASE ENSURE ALL ACCESSORIES ARE INSTALLED PER TYPE OF RACK BEFORE PROCEEDING TO NEXT PAGE.

REFERENCE THIS INSTRUCTION THROUGHOUT THE ENTIRETY OF YOUR INSTALL TO PREVENT ACCESSORIES BEING INSTALLED INCORRECTLY/OUT OF SEQUENCE!

**STEPS 21 - 81 ON PAGE 3 IS THE RECOMMENDED ASSEMBLY SEQUENCE FOR A FULL TABLE ASSEMBLY BEFORE INSTALLING ON THE ROOF OF THE VEHICLE.**

**STEPS 2R - 8R ON PAGE 4 IS AN ALTERNATE ASSEMBLY SEQUENCE TO INSTALL THE RACK ON THE VEHICLE ROOF AS IT IS BUILT.**

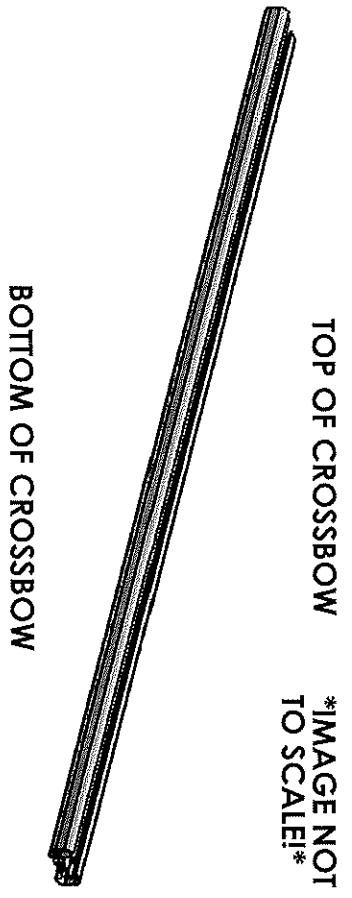
PLEASE SELECT THE ASSEMBLY SEQUENCE THAT BEST WORKS FOR YOU!



## ASSEMBLY STEPS:

**STEP 1A. SUB-ASSEMBLE EACH CROSSBOW WITH DESIRED ACCESSORIES FOR SECTIONS A.1 & A.2.**

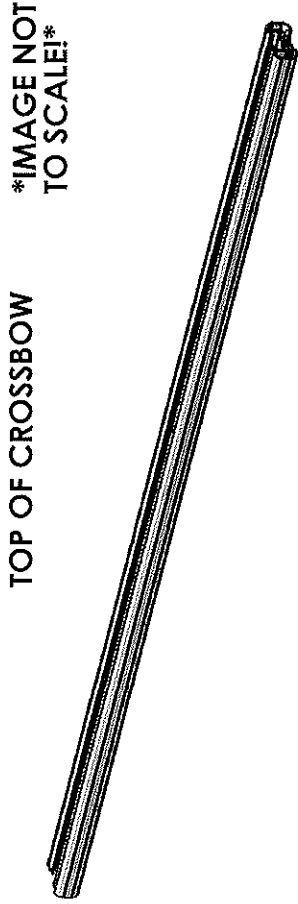
*INSTRUCTIONS FOR EACH KIT CAN BE FOUND IN THEIR RESPECTIVE CARTON!*



**TABLE 1**

TOP OF CROSSBOW		COMPONENTS TO INSTALL
A.1		- CONDUIT KIT OR BEACON
	HD UTILITY	
	Grip-Lock	
A.2		- CONDUIT KIT OR BEACON
BOTTOM OF CROSSBOW		
COMPONENTS TO INSTALL		
HD UTILITY		- LADDER STOP, STROBE BRACKET, AND/OR REAR ROLLER
Grip-Lock		
Profile		- DAMPER BRACKET

**STEP 1B. SUB-ASSEMBLE EACH CROSSBOW WITH DESIRED ACCESSORIES FOR SECTIONS B.1 & B.2. INSTRUCTIONS FOR EACH KIT CAN BE FOUND IN THEIR RESPECTIVE CARTON!**



TOP OF CROSSBOW

\*IMAGE NOT TO SCALE!\*

BOTTOM OF CROSSBOW

**TABLE 2**

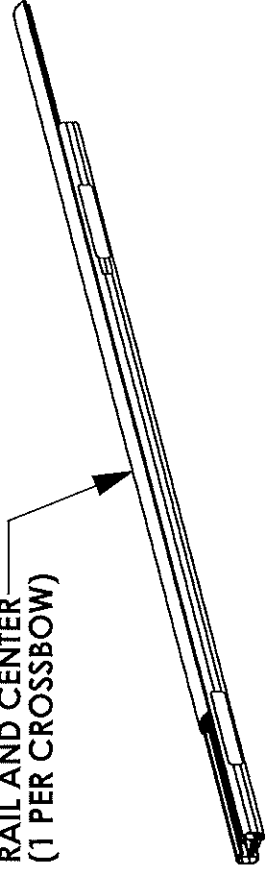
TOP OF CROSSBOW	
COMPONENTS TO INSTALL	
HD UTILITY	- WEAR STRIP (MODIFY IF NECESSARY, TABLE 3)
Grip-Lock	- WEAR STRIP (MODIFY IF NECESSARY, TABLE 3)
ProLift	- INNER STOP POST
BOTTOM OF CROSSBOW	
COMPONENTS TO INSTALL	
HD UTILITY	- MOUNTING BRACKETS
Grip-Lock	- MOUNTING BRACKETS
ProLift	- MOUNTING BRACKETS

**ALTER WEAR STRIP AND INSTALL ON CROSSBOW (IF APPLICABLE)! REFERENCE TABLE 3 BELOW FOR WEAR STRIP ALTERATION INSTRUCTIONS!**

**TABLE 3**

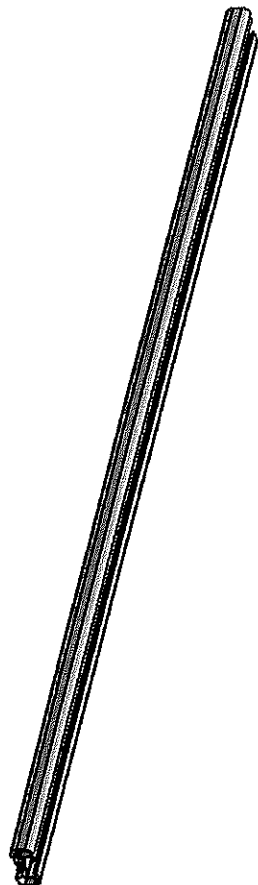
ADDED ACCESSORIES	ALTERATION FOR WEAR STRIP
4" UPRIGHT***	REMOVE 2" FROM END OF WEAR STRIP
4" PVC CONDUIT KIT	REMOVE 7.25" FROM CENTER OF WEAR STRIP
6" PVC CONDUIT KIT	REMOVE 9.50" FROM CENTER OF WEAR STRIP
ALUMINUM BOX CONDUIT KIT	REMOVE 13.25" FROM CENTER OF WEAR STRIP
BEACON	REMOVE 4" FROM CENTER OF WEAR STRIP
ProLift (SINGLE SIDE)	CUT WEAR STRIP IN HALF, DO NOT INSTALL ON ProLift SIDE
ProLift (DUAL SIDE)	DO NOT INSTALL WEAR STRIP

SLIDE WEAR STRIP INTO RAIL AND CENTER (1 PER CROSSBOW)



**STEP 1C SUB-ASSEMBLE EACH CROSSBOW WITH DESIRED ACCESSORIES FOR SECTIONS C.1 & C.2**

TOP OF CROSSBOW  
\*IMAGE NOT TO SCALE!\*



BOTTOM OF CROSSBOW

**TABLE 4**

TOP OF CROSSBOW		COMPONENTS TO INSTALL
	HD UTILITY	- 4" UPRIGHT
C.1	Grip-Lock	- N/A
	Prolift	- SLIDES FOR BASE EXTRUSION
BOTTOM OF CROSSBOW		
	COMPONENTS TO INSTALL	
	HD UTILITY	- UPRIGHTS (6", 9", RATCHET)
C.2	Grip-Lock	- STROBES
	Prolift	- STROBES

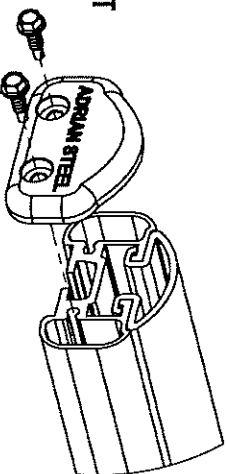
**ASSEMBLY STEPS (FULL BENCH ASSEMBLY):**

- 2T. ADD DRIVELINES (IF INSTALLING Prolift)
- 3T. ADD HANDLES (IF INSTALLING Grip-Lock OR Prolift) AND DAMPERS (IF INSTALLING Prolift)
- 4T. ADD OUTER SUPPORT BARS (IF INSTALLING Grip-Lock OR Prolift)
- 5T. ADD STEP LADDER KIT (Grip-Lock OR Prolift ONLY)

6T. ASSEMBLE ENDS CAPS TO CROSSBOW

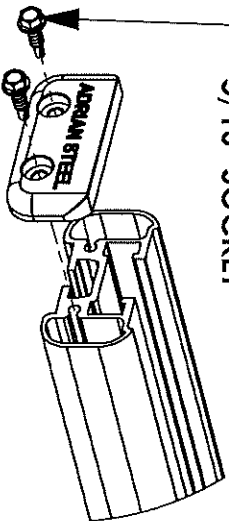
USED FOR HD UTILITY & Grip-Lock RACKS

LOCATED IN CROSSBOW KIT



FULLY TIGHTEN  
(2) FAS0473, 63851  
(2 PLACES PER END CAP)  
5/16" SOCKET

USED FOR Prolift RACKS  
LOCATED IN Prolift Kit



7T. INSTALL ROOF RAIL KIT ON VEHICLE ROOF OR BOTTOM MOUNTING BRACKETS

(ROOF RAIL KIT REQUIRED FOR Grip-Lock & Prolift OPTIONAL FOR HD UTILITY, NOT NEEDED FOR GM LADDER RACKS)

8T. MOUNT CROSSBOW SUB-ASSEMBLIES FROM STEP 1 TO VEHICLE/MOUNTING BRACKET, OR ROOF RAIL (LOOSE INSTALL)

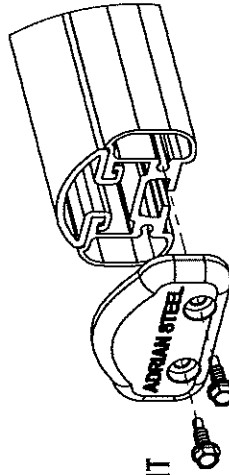
**ALTERNATE ASSEMBLY METHOD!**  
**(ASSEMBLE ON VEHICLE ROOF):**

- 2R. INSTALL ROOF RAIL KIT ON VEHICLE ROOF OR BOTTOM MOUNTING BRACKETS  
(ROOF RAIL KIT REQUIRED FOR Grip-Lock & ProLift, OPTIONAL FOR HD UTILITY, NOT NEEDED FOR GM LADDER RACKS)
- 3R. MOUNT CROSSBOW SUB-ASSEMBLIES FROM STEP 1 TO VEHICLE/MOUNTING BRACKET, OR ROOF RAIL (LOOSE INSTALL)
- 4R. ADD DRIVELINES (IF INSTALLING ProLift)
- 5R. ADD HANDLES (IF INSTALLING Grip-Lock OR ProLift) AND DAMPERS (IF INSTALLING ProLift)
- 6R. ADD OUTER SUPPORT BARS (IF INSTALLING Grip-Lock OR ProLift)
- 7R. ADD STEP LADDER KIT (Grip-Lock OR ProLift ONLY!)

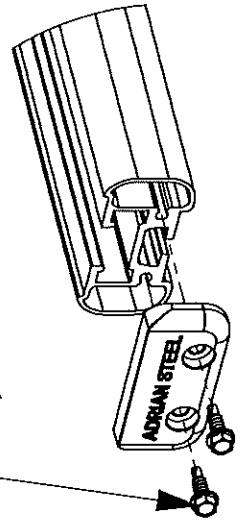
8R. ASSEMBLE END CAPS TO CROSSBOW

USED FOR HD UTILITY & Grip-Lock RACKS

LOCATED IN CROSSBOW KIT



FULLY TIGHTEN  
(2) FAS0473, 63851  
(2 PLACES PER END CAP)  
5/16" SOCKET



USED FOR ProLift RACKS  
LOCATED IN ProLift Kit