



# Mounting Bracket Kit, 4-Pack, White, Express, Savana

PRODUCT WEIGHT  
**5 LBS**

HEIGHT OFF ROOF

**SEE TABLE BELOW**



CAPACITY  
**REFER TO OEM'S  
RECOMMENDED LOAD  
RATING**  
COLOR

**WHITE**

CATALOG NUMBER

**GMMBK4W**

## PRODUCT FEATURES

**GM Express/Savana galvanized steel mounting bracket kit for PROFILE™ HD Utility, grip lock, drop down, and combo ladder racks. Mounting kit works for both 135" and 155" wheelbase vehicles.**

**SEE PAGE 2 FOR APPLICATION NOTES AND ACCESSORIES, OTHER PRODUCTS THAT WORK WITH THIS UNIT.**

**PAGE 1 of 2**

The information contained in this document is the sole property of ADRIAN STEEL COMPANY. ADRIAN STEEL COMPANY retains the right to modify and/or change the product of its design at any time without prior notification.



**CATALOG NUMBER      GMMBK4W**

**PRODUCT APPLICATION**

**This product is designed to be installed on GM Express/Savana vans. Works for HD Utility, grip lock, drop down, and combo ladder racks.**

**ACCESSORIES THAT WILL WORK WITH THIS PRODUCT**

CATALOG NUMBER	DESCRIPTION	CATALOG NUMBER	DESCRIPTION
GMMBK2W	Mounting Bracket Kit, 2-Pack, White, Express, Savana	4UPK4B	4" Upright Kit, 4-Pack, Black
2BARW	2-Crossbar Kit, 68", White, Full Size Van	4UPK2B	4" Upright Kit, 2-Pack, Black
1BARW	Single Crossbar Kit, 68", White, Full Size Van	6UPK4B	6" Upright Kit, 4-Pack, Black
RRBGMW	Rear Roller Assist Bar, White, Express, Savana	6UPK2B	6" Upright Kit, 2-Pack, Black
70-1NGLR	4" End Cap for PVC Conduit	9UPK4B	9" Upright Kit, 4-Pack, Black
70-2NGLR	6" End Cap for PVC Conduit	9UPK2B	9" Upright Kit, 2-Pack, Black
80-1NGLR	Conduit Kit, 10w x 6h x 126d, Multiple Vehicles	RSK1B	Single Ratchet Upright Kit, 9"
80-2NGLR	Conduit Kit, 10w x 6h x 150d, Multiple Vehicles	ULSKB	Single Ladder Stop Kit

**LADDER RACK HEIGHTS MEASURED FROM ROOF OF VEHICLE**

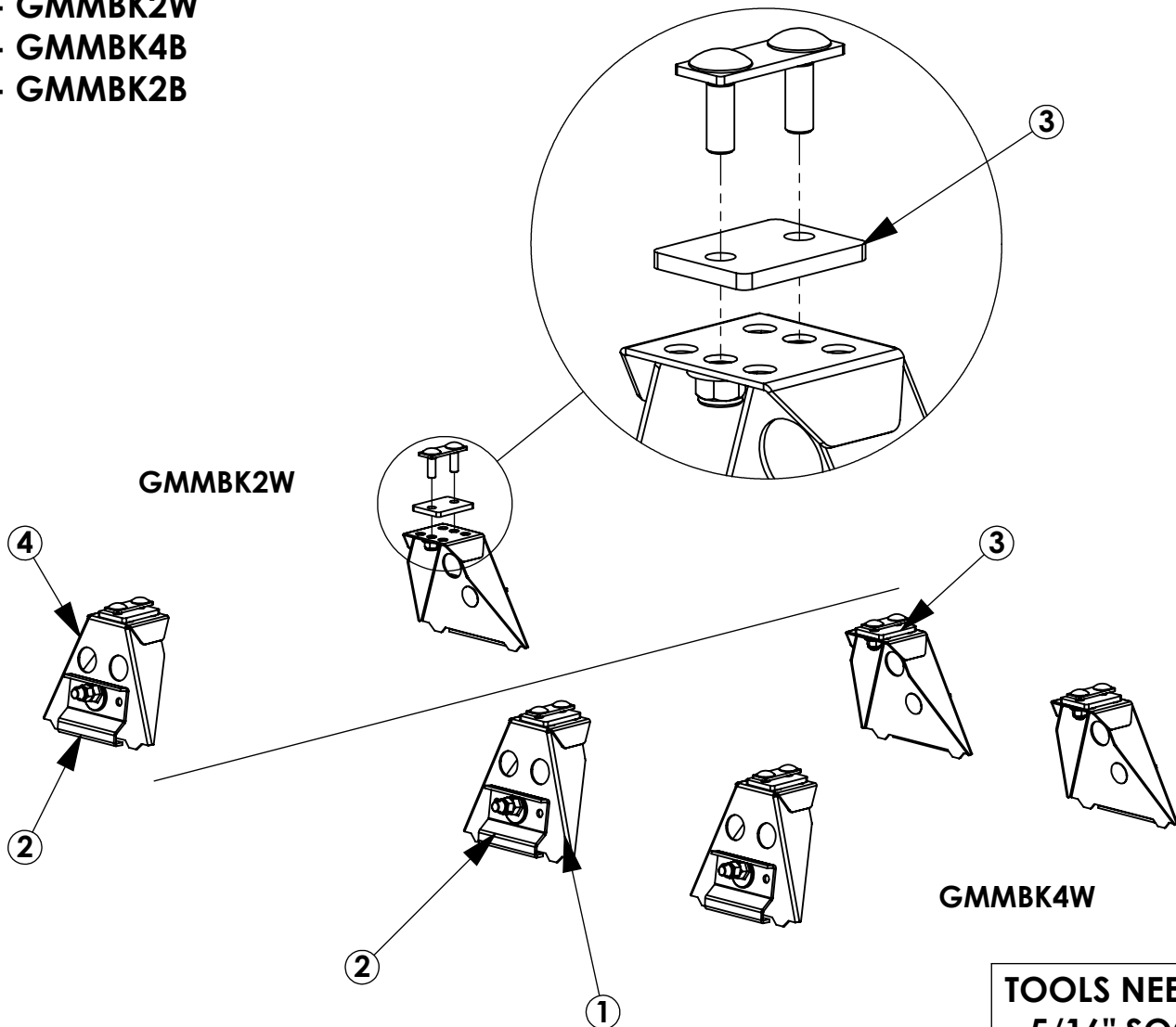
CONFIGURATION	RACK HEIGHT
Base Rack	4"
Base + Ladder Stop	9.5"
Base + 4" Uprights	7.5"
Base + 6" Uprights	9.5"
Base + 9"/Ratchet Uprights	12.5"
Base + 4" PVC Conduit Kit	8.4"
Base + 6" PVC Conduit Kit	10.4"
Base + Aluminum Box Conduit Kit	10.5"

INSTR. NUMBER : <b>63458</b>	PG: <b>1</b>	REV: <b>E</b>	ITEM NO.	PART NUMBER	DESCRIPTION	GMMBK4W	GMMBK2W
	PART NUMBER : <b>GMMBK4</b>		1	63856-W	UTILITY, GM MOUNT BRKT, WHITE	4	-
PART • UTILITY,MNT BKT KT,GM,2,W DESC. •			2	22856-0	FOOT CLAMP - GMT600,WHITE	4	2
			3	63933	UTILITY, COM MOUNT PLATE	4	2
			4	63905-W	UTILITY,GM MID MNT BKT, WHITE	-	2

**NOTE: THIS INSTRUCTION IS VALID FOR THE FOLLOWING KITS:**

- GMMBK4W
- GMMBK2W
- GMMBK4B
- GMMBK2B

- PART NUMBERS WITH "-W" SUFFIX ARE PAINTED WHITE  
 - FOR BLACK MOUNTING KITS, REPLACE "-W" PARTS WITH "-B" PARTS



- TOOLS NEEDED:**
- 5/16" SOCKET
  - 9/16" SOCKET
  - 1/2" SOCKET
  - 5/8" WRENCH
  - DRIVE RATCHET
  - IMPACT DRIVER
  - TAPE MEASURE

**GET TO KNOW THE VEHICLE** - AT THE BEGINNING OF ANY INSTALLATION, CHECK THE LOCATION OF THE FUEL TANK, FUEL LINES, BRAKE LINES, HIGH VOLTAGE BATTERIES AND WIRING HARNESSSES TO AVOID INJURY OR PROPERTY DAMAGE FROM TOOL CONTACT.

**SEAL ALL EXTERIOR HOLES** - ALL INSTALLATION HOLES SHOULD BE SEALED WITH BUTYL TAPE OR SILICON TO PREVENT WATER AND EXHAUST GASES FROM ENTERING THE VEHICLE.

**CONTROL DRILL DEPTH** - TO AVOID DAMAGE TO THE VEHICLE, USE A DRILL STOP OR CLEARED STEP BIT WHEN DRILLING INSTALLATION HOLES.

**ALWAYS ADD PRIMER** - WHEN ADDING INSTALLATION HOLES BE SURE TO USE A SELF-ETCHING PRIMER TO PREVENT CORROSION, FASTENER FAILURE AND INJURY.

**MOUNTING POINTS MUST HAVE METAL-TO-METAL CONTACT** - USE PROVIDED MOUNTING SPACERS TO ACCOMMODATE FOR VEHICLE FEATURES, CARPET OR SUBFLOORS.

**PROVIDE CLEARANCE FOR SPACERS** - IF THE INSTALLATION VEHICLE CONTAINS A CARPET OR SUBFLOOR, USE A 1-3/16" DIAMETER CARPET CUTTER (P/N: 31183-0) AT ALL MOUNTING LOCATIONS TO OPEN UP ROOM FOR SPACERS.

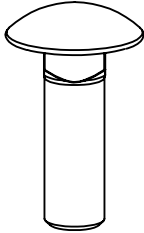
**CHECK SPACER ORIENTATION** - BE SURE THAT THE INDENT IN THE SPACER COVERS THE PLUSNUT HEAD; THIS ENSURES THE MOST METAL-TO-METAL CONTACT AND REDUCES VIBRATION.

**PLUSNUT INSTALLATION** - A PLUSNUT GUN IS RECOMMENDED FOR PLUSNUT INSTALLATION FOR ITS PRODUCTION SPEED. HOWEVER, A PLUSNUT SETTING TOOL CAN ALSO BE USED (P/N: 22200-0).

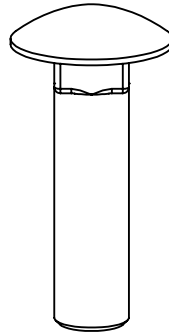
**THRU-BOLT CLEARANCE** - WHEN USING A THRU-BOLT AT ANY MOUNTING LOCATION, BE SURE THAT YOUR HOLE HAS 1/16" CLEARANCE.

**FASTENERS AND HARDWARE USED**

**BAG REFERENCE: BAG64733**



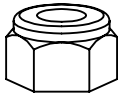
**FAS0398  
5/16-18X1 SS  
CRG BOLT  
QTY: 8**



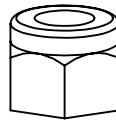
**FAS0117  
3/8-16X1.5 ZN  
CRG BOLT  
QTY: 4**



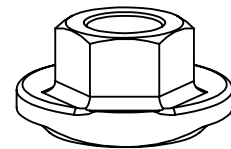
**FAS0552  
5/16 SS  
FLAT WASHER  
QTY: 8**



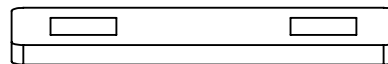
**FAS0248  
5/16-18 SS  
NLK HH NUT  
QTY: 8**



**FAS0110  
3/8-16 SS  
NLK HH NUT  
QTY: 4**



**07466-0  
ADJUSTING  
CAM NUT  
QTY: 4**



**63934  
UTILITY,  
BOLT PLATE  
QTY: 4**

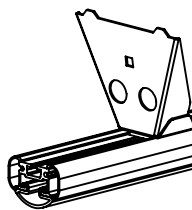
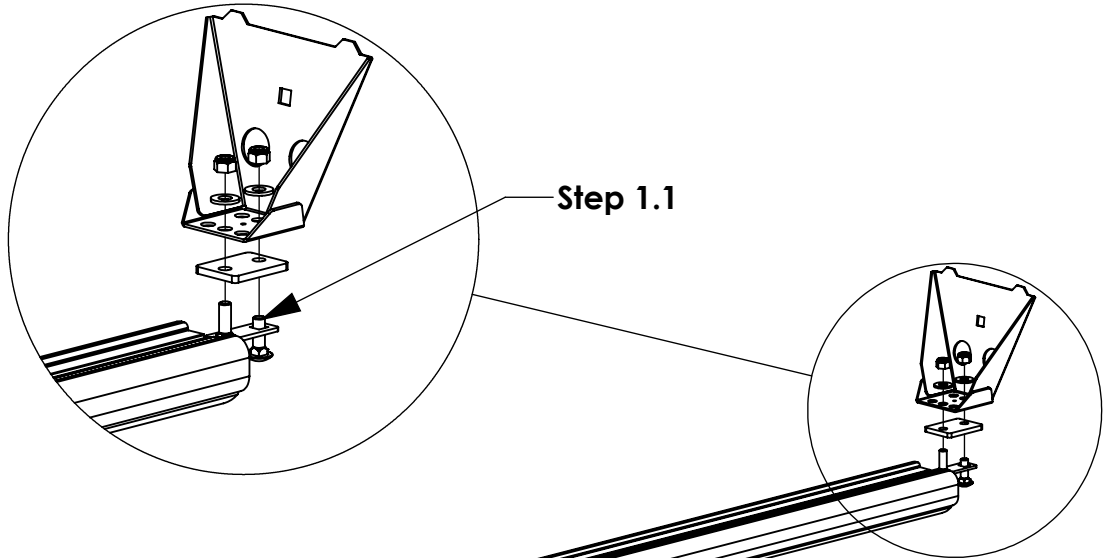
***INTENTIONALLY LEFT BLANK***



CHECK TABLES 1-4 IN INSTRUCTION 68895 FOR ADDITIONAL ACCESSORY SLIDE INSTALLATION BEFORE INSTALLING MOUNTING BRACKETS (ALL A.2 ITEMS SHOULD BE COMPLETELY INSTALLED FIRST!)

**STEP 1 - ASSEMBLE MOUNTING BRACKETS TO CROSSBOW**

**STEP 1.1**  
**LOOSELY**  
**ASSEMBLE UNTIL**  
**AFTER STEP 3**  
**(2) FAS0398, (2)**  
**FAS0552,**  
**(2) FAS0248,**  
**63934**  
**(2 PLACES PER**  
**CROSSBOW)**  
**1/2" SOCKET**

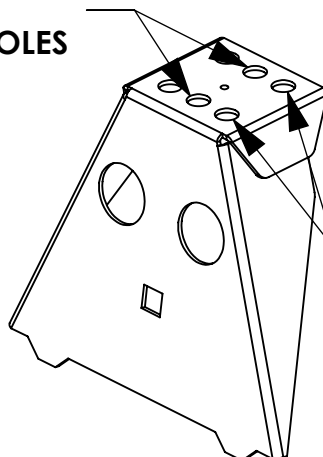


ACCESSORY SLIDES AND BOLTS WILL NEED TO BE INSERTED BEFORE MOUNTING BRACKETS. CHECK ACCESSORY KITS FOR HARDWARE AND FASTENERS

**MOUNTING HOLES TO USE**

**HD UTILITY:** CENTER MOUNTING HOLES

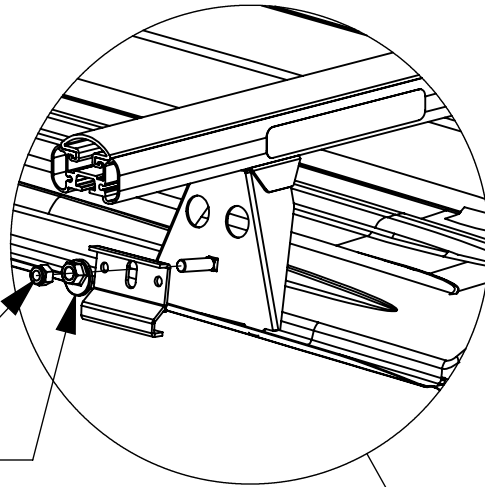
**GRIP-LOCK:** CENTER MOUNTING HOLES



**ProLift:** RIGHT MOUNTING HOLES

**STEP 2 - INSTALL CROSSBOW ASSEMBLY ON VEHICLE ROOF**

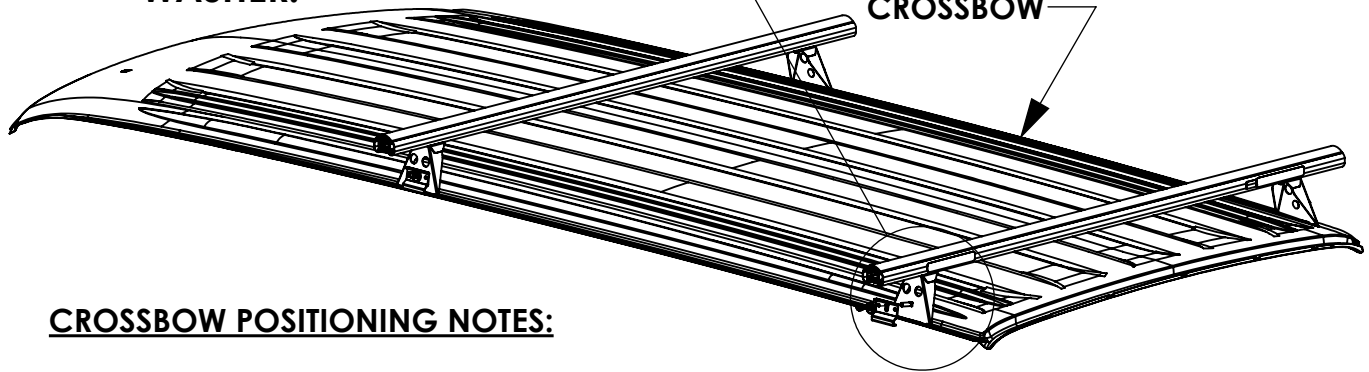
**STEP 2.1  
FULLY TIGHTEN  
FAS0110, 07466-  
0, FAS0117  
(2 PLACES PER  
CROSSBOW)  
9/16" SOCKET  
5/8" WRENCH**



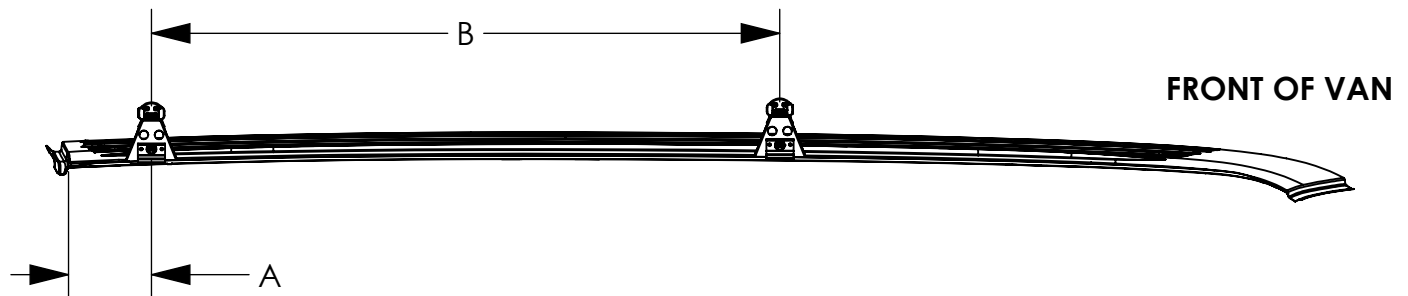
Step 2.1

**DO NOT  
OVERTIGHTEN  
ECCENTRIC  
WASHER!**

**IF INSTALLING A THIRD CROSSBOW:  
USE SHORTER MOUNTING BRACKET  
(63905-W) FOR THE MIDDLE  
CROSSBOW**



**CROSSBOW POSITIONING NOTES:**



**\*\*\* THESE DIMENSIONS ARE SUGGESTIONS, PLEASE  
SPACE CROSSBOWS TO BEST FIT END USER'S PRODUCT**

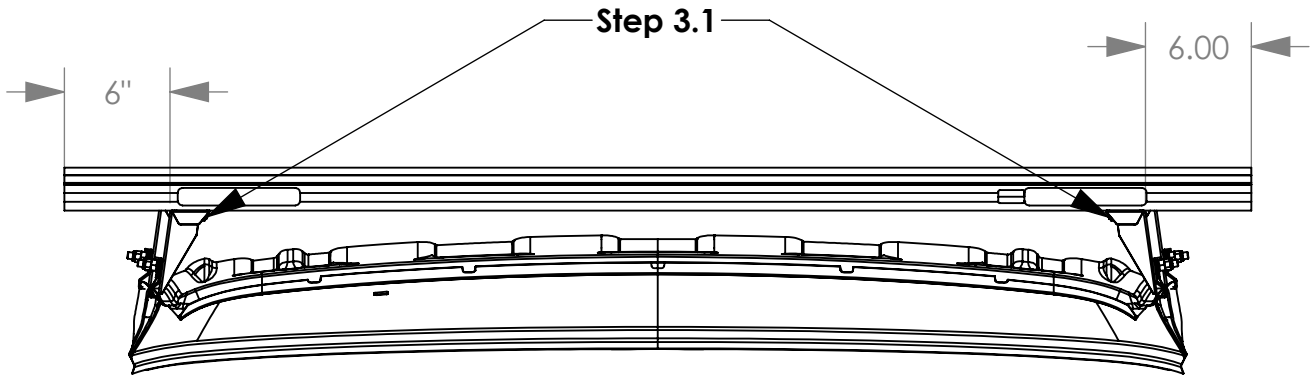
DIMENSION	A - REAR CROSSBOW	B - FRONT CROSSBOW
HD UTILITY RACK	9 1/2"	72" ***
HD UTILITY RACK W/ REAR ROLLER	20 5/8"	72" ***
GRIP-LOCK	9 1/2"	76 3/8"
ProLift	9 1/2"	76 3/8"



**STEP 3 - SECURE CROSSBOW**

**STEP 3.1  
CENTER CROSSBOW  
AND  
FULLY TIGHTEN  
BRACKETS FROM STEP  
1.1  
(4 PLACES PER  
CROSSBOW)  
1/2" SOCKET**

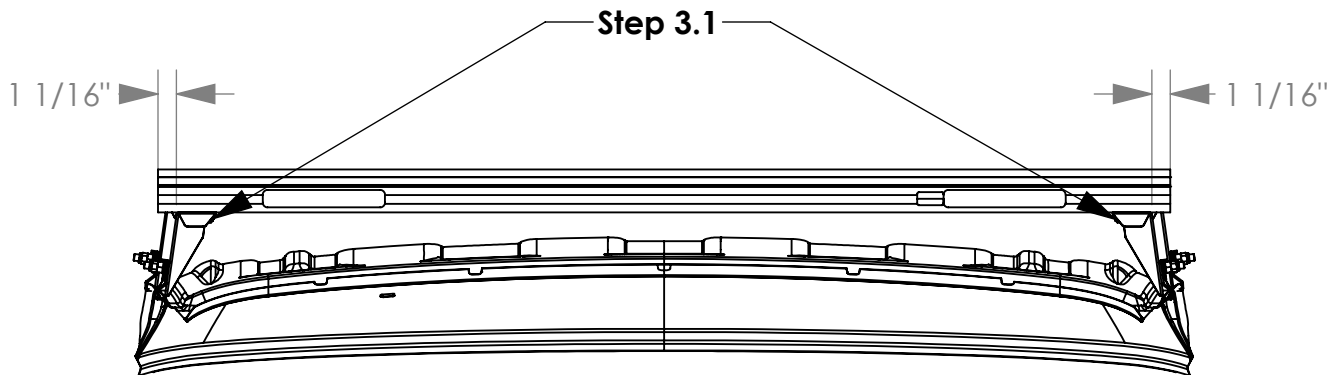
**HD UTILITY - 68 INCH CROSSBOW**



**MEASURE TO OUTSIDE EDGE OF MOUNTING BRACKET.**

**DISTANCES MAY CHANGE DUE TO LOCATION ON RAIL.**

**Grip-Lock / ProLift - 58 INCH CROSSBOW**



INSTR. NUMBER : **69484**

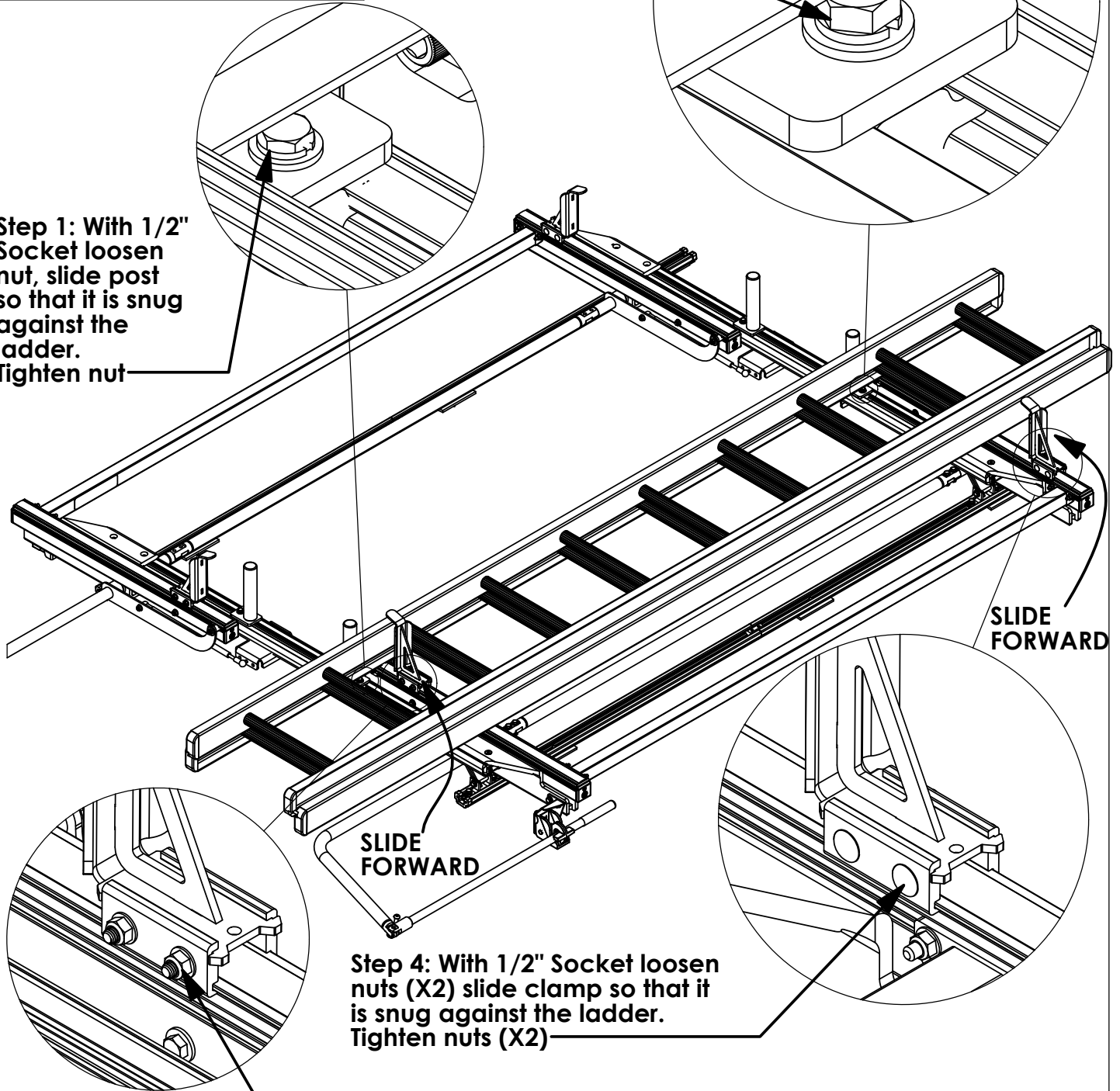
PG: **1** REV: **A**

PART NUMBER • **Standard Drop ProLift**  
• **Low & Compact Vans**

PART DESC. • ProLift Adjustment Instructions -  
• **Standard Drop**  
• **Low Roof & Compact Vans**

**Step 3: With 1/2" Socket loosen nut, slide post so that it is snug against the ladder. Tighten nut**

**Step 1: With 1/2" Socket loosen nut, slide post so that it is snug against the ladder. Tighten nut**

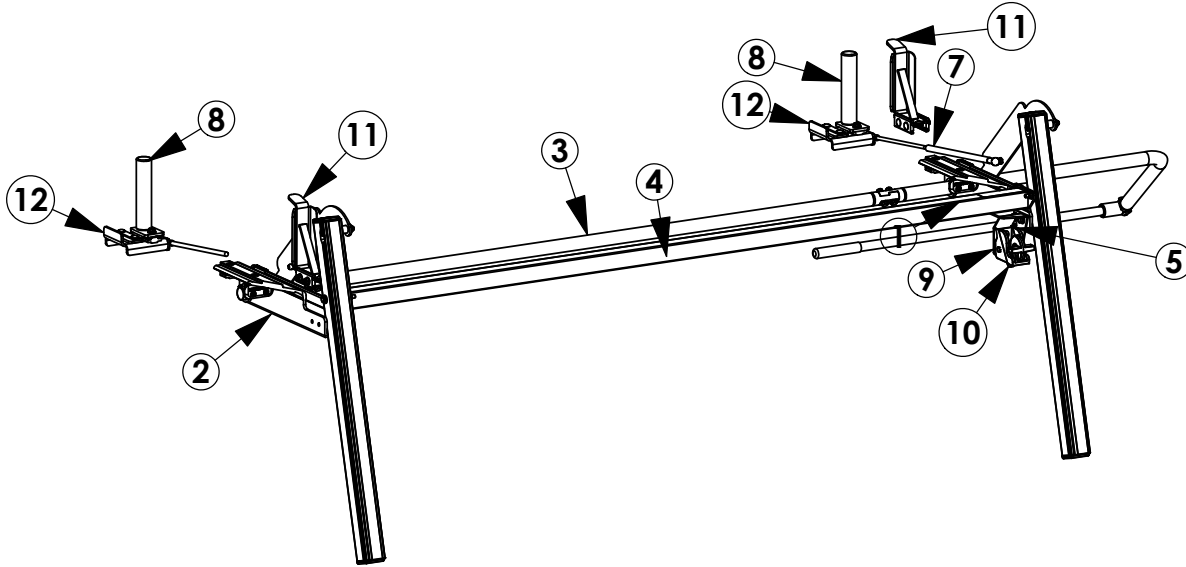


**Step 4: With 1/2" Socket loosen nuts (X2) slide clamp so that it is snug against the ladder. Tighten nuts (X2)**

**Step 2: With 1/2" Socket loosen nuts (X2) slide clamp so that it is snug against the ladder. Tighten nuts (X2)**

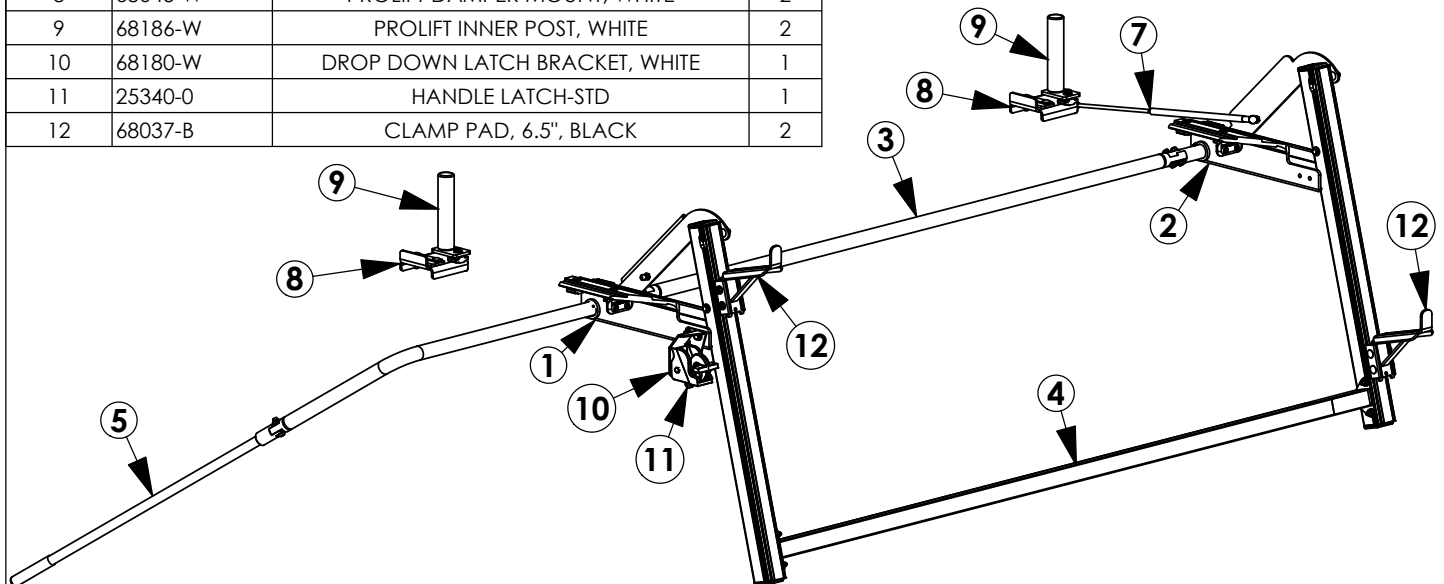
Once all brackets are adjusted operate rack to make sure clamps are not too tight

INSTR. NUMBER	PG:	REV:	ITEM NO.	PART NUMBER	DESCRIPTION	QTY.
: <b>68497</b>	<b>1</b>	<b>C</b>	1	68298-W	STD DROP CARTRIDGE, LR DS, WHITE	1
			2	68013-W	DROP DOWN FRONT ARM ASM DS, WHITE	1
			3	66563-B	DROP DOWN, SS CENTER DRIVELINE, BLK	1
PART NUMBER : <b>PLSDPSL &amp; PLSDDSL</b>			4	66959-W	DROP DOWN OUTER BAR, WELDMENT, WHITE	1
			5	66611-B	DROP DOWN, PIVOT HANDLE, BLK	1
PART DESC. : PROLIFT,STD,PS,LR & PROLIFT,STD,DS,LR			6	58239	COMPRESSION DAMPER	1
			7	48265	DAMPER ASSEMBLY	1
<b>PLSDDSLW</b>			8	68186-W	PROLIFT INNER POST, WHITE	2
			9	68180-W	DROP DOWN LATCH BRACKET, WHITE	1
			10	25340-0	HANDLE LATCH-STD	1
			11	68037-B	CLAMP PAD, 6.5", BLACK	2
			12	68045-W	PROLIFT DAMPER MOUNT, WHITE	2



ITEM NO.	PART NUMBER	DESCRIPTION	QTY.
1	68297-W	STD DROP CARTRIDGE, LR PS, WHITE	1
2	68031-W	DROP DOWN FRONT ARM ASSM PS, WHITE	1
3	66572-B	DROP DOWN, CS CENTER DRIVELINE, BLK	1
4	66959-W	DROP DOWN OUTER BAR, WELDMENT, WHITE	1
5	66611-B	DROP DOWN, PIVOT HANDLE, BLK	1
6	58239	COMPRESSION DAMPER	1
7	48265	DAMPER ASSEMBLY	1
8	68045-W	PROLIFT DAMPER MOUNT, WHITE	2
9	68186-W	PROLIFT INNER POST, WHITE	2
10	68180-W	DROP DOWN LATCH BRACKET, WHITE	1
11	25340-0	HANDLE LATCH-STD	1
12	68037-B	CLAMP PAD, 6.5", BLACK	2

**PLSDPSLW**



**GET TO KNOW THE VEHICLE** - AT THE BEGINNING OF ANY INSTALLATION, CHECK THE LOCATION OF THE FUEL TANK, FUEL LINES, BRAKE LINES, HIGH VOLTAGE BATTERIES AND WIRING HARNESSSES TO AVOID INJURY OR PROPERTY DAMAGE FROM TOOL CONTACT.

**SEAL ALL EXTERIOR HOLES** - ALL INSTALLATION HOLES SHOULD BE SEALED WITH BUTYL TAPE OR SILICON TO PREVENT WATER AND EXHAUST GASES FROM ENTERING THE VEHICLE.

**CONTROL DRILL DEPTH** - TO AVOID DAMAGE TO THE VEHICLE, USE A DRILL STOP OR CLEARED STEP BIT WHEN DRILLING INSTALLATION HOLES.

**ALWAYS ADD PRIMER** - WHEN ADDING INSTALLATION HOLES BE SURE TO USE A SELF-ETCHING PRIMER TO PREVENT CORROSION, FASTENER FAILURE AND INJURY.

**MOUNTING POINTS MUST HAVE METAL-TO-METAL CONTACT** - USE PROVIDED MOUNTING SPACERS TO ACCOMMODATE FOR VEHICLE FEATURES, CARPET OR SUBFLOORS.

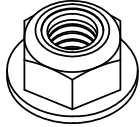
**PROVIDE CLEARANCE FOR SPACERS** - IF THE INSTALLATION VEHICLE CONTAINS A CARPET OR SUBFLOOR, USE A 1-3/16" DIAMETER CARPET CUTTER (P/N: 31183-0) AT ALL MOUNTING LOCATIONS TO OPEN UP ROOM FOR SPACERS.

**CHECK SPACER ORIENTATION** - BE SURE THAT THE INDENT IN THE SPACER COVERS THE PLUSNUT HEAD; THIS ENSURES THE MOST METAL-TO-METAL CONTACT AND REDUCES VIBRATION.

**PLUSNUT INSTALLATION** - A PLUSNUT GUN IS RECOMMENDED FOR PLUSNUT INSTALLATION FOR ITS PRODUCTION SPEED. HOWEVER, A PLUSNUT SETTING TOOL CAN ALSO BE USED (P/N: 22200-0).

**THRU-BOLT CLEARANCE** - WHEN USING A THRU-BOLT AT ANY MOUNTING LOCATION, BE SURE THAT YOUR HOLE HAS 1/16" CLEARANCE.

**FASTENERS AND HARDWARE USED**



FAS0861  
NUT,HEX NLK FLG 5/16-18  
QTY: 18



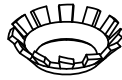
FAS0110  
NUT,HEX NLK 3/8-16  
QTY: 01



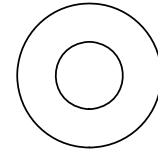
FAS0399  
NUT,HEX NLK LT 3/8-16  
QTY: 01



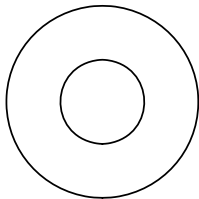
FAS0588  
WASHER,LCK SPLIT 5/16  
QTY: 03



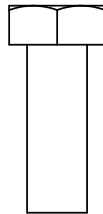
FAS0857  
WASHER,LCK EXT CS 5/16  
QTY: 04



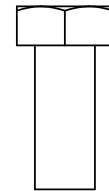
FAS0552  
WASHER,FLAT USS 5/16  
QTY: 09



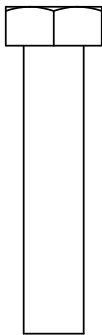
FAS0720  
WASHER,FLAT USS 3/8  
QTY: 01



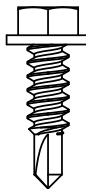
FAS0283  
SCREW,HH 5/16-18X.875  
QTY: 02



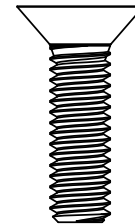
FAS0799  
SCREW,HH 5/16-18X.75  
QTY: 02



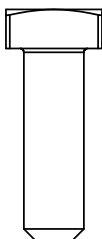
FAS0242  
SCREW,HH 5/16-18X1.5  
QTY: 04



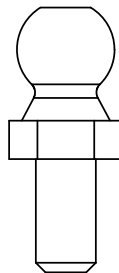
FAS0473  
SCREW,HH TEK #12X.75  
QTY: 04



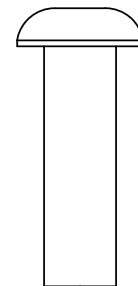
FAS0856  
SCREW,FHH 5/16-18X1.13  
QTY: 04



FAS0035  
BOLT,SQ HD 5/16-18X1.0  
QTY: 08

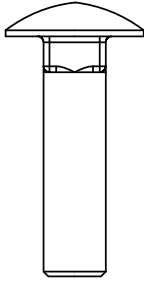


34927-0  
BALL STUD 13MM X 5/16-18  
QTY: 02

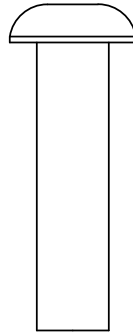


FAS0701  
SCREW,BHCS 3/8-16X1.25  
QTY: 01

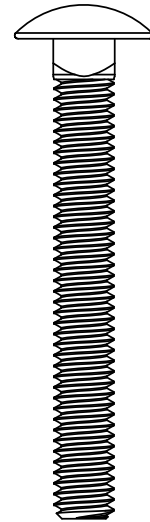
**FASTENERS AND HARDWARE USED**



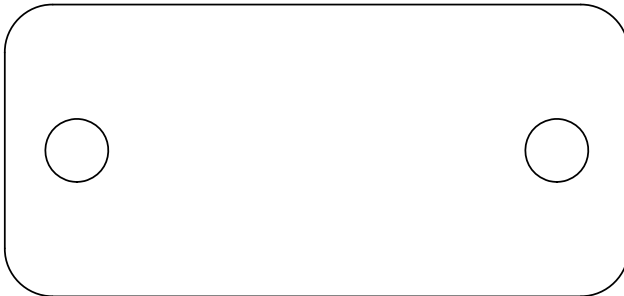
FAS0812  
BOLT,CRG 5/16-18X1.25  
QTY: 04



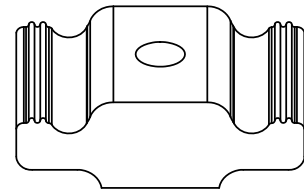
FAS0819  
SCREW,BHCS 3/8-16X1.5  
QTY: 01



FAS0838  
BOLT,CRG 5/16-18X2.5  
QTY: 04



64831  
REAR ROLLER, SPACER  
QTY: 02

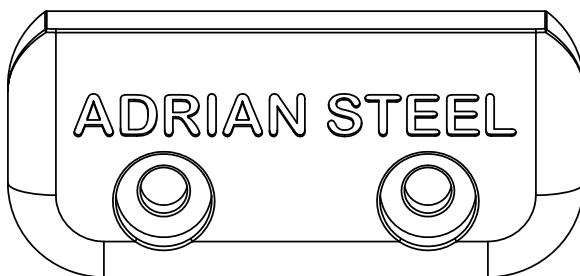


63490  
RAIL SLIDE, 1"  
QTY: 06

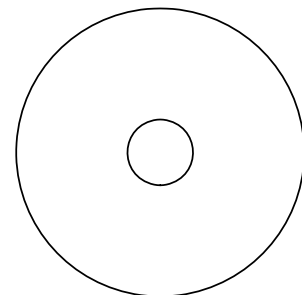


64830  
REAR ROLLER, BOLT PLATE  
QTY: 02

**DISCARD**



65961  
DROP DOWN END CAP  
QTY: 02



FAS0603  
SCREW,HH 5/16-18X.875  
QTY: 02

**BEGIN ASSEMBLY**

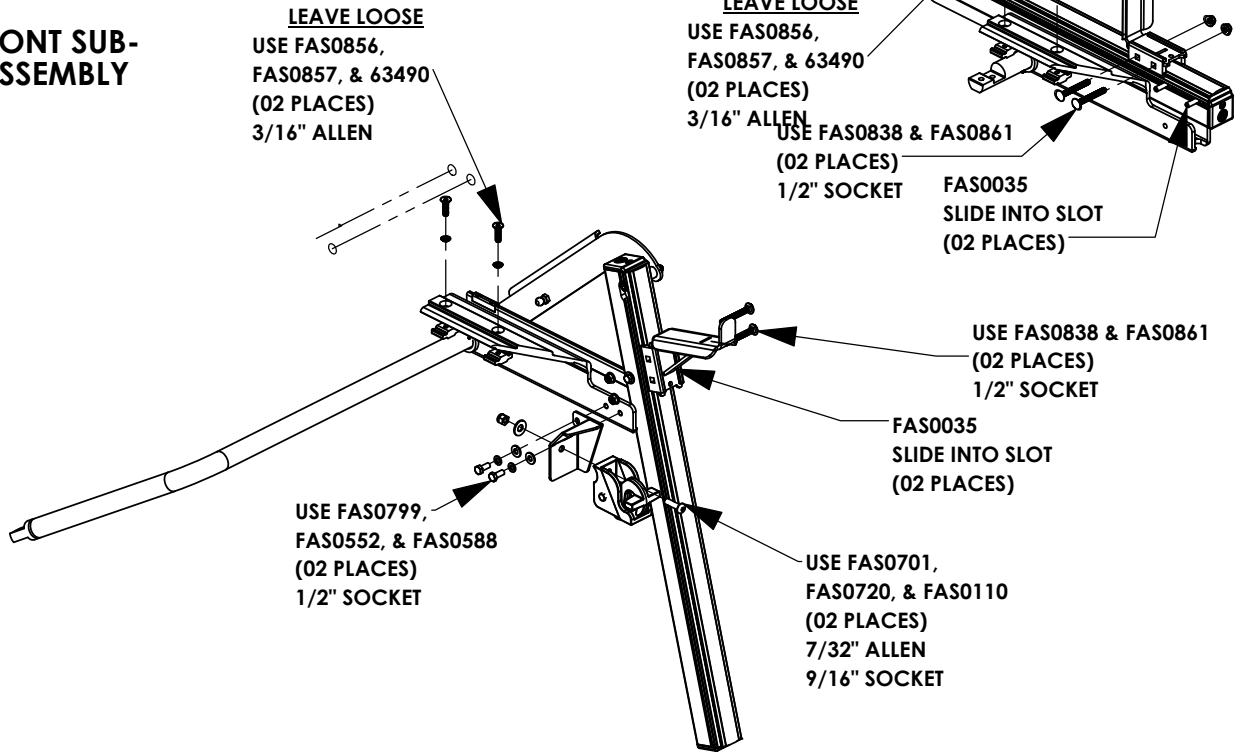
**STEP 1 - INSTALL CLAMPS AND HARDWARE ON DROP DOWN CARTRIDGES**

**PASSENGER SIDE  
CARTRIDGES**

**REAR SUB-  
ASSEMBLY**

**FRONT SUB-  
ASSEMBLY**

**MUST BE THIS ORIENTATION!**

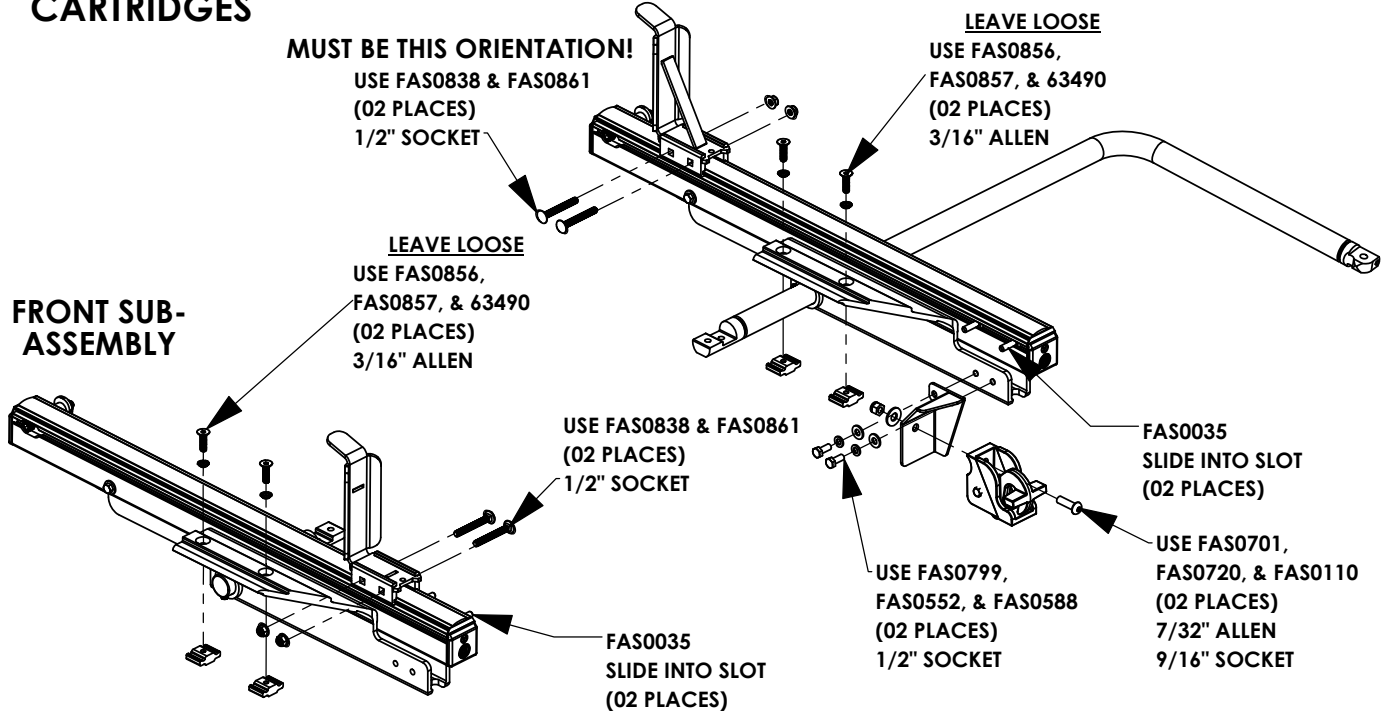


**DRIVER SIDE  
CARTRIDGES**

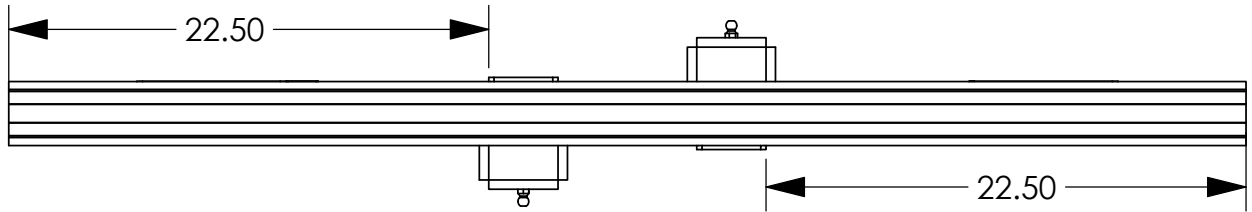
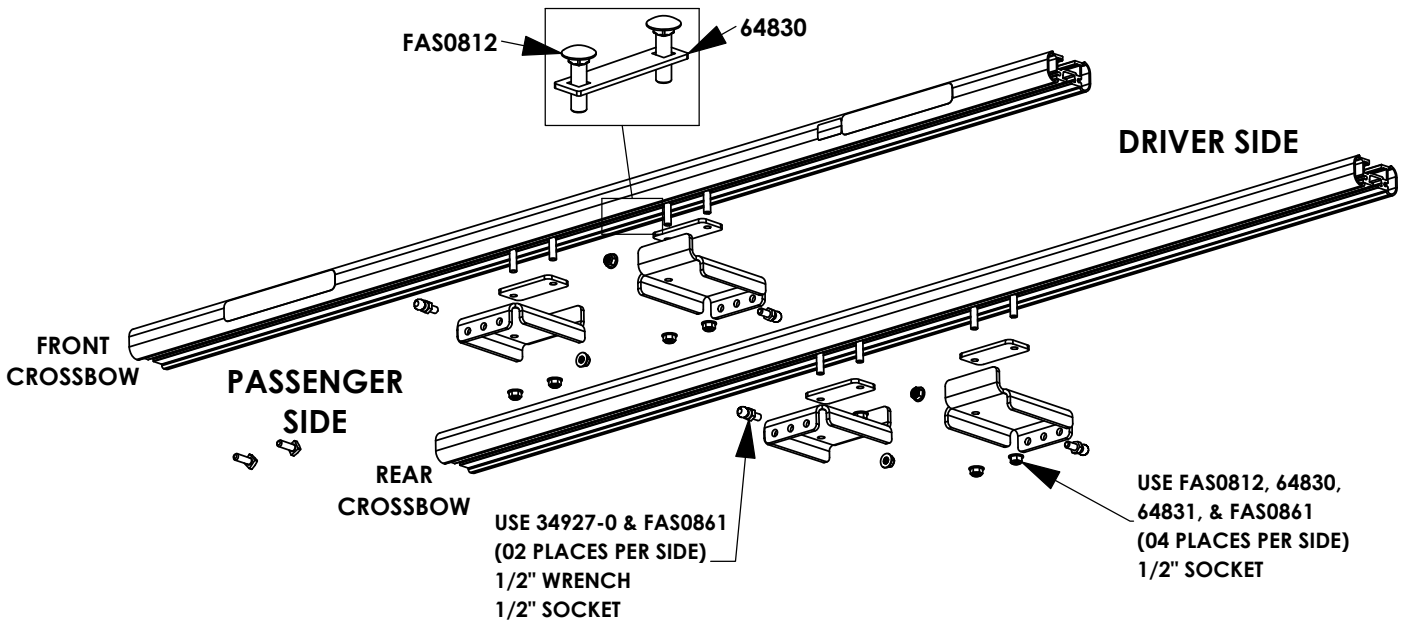
**REAR SUB-  
ASSEMBLY**

**FRONT SUB-  
ASSEMBLY**

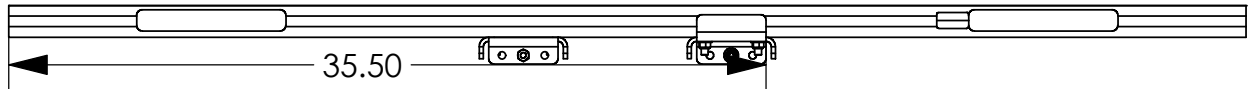
**MUST BE THIS ORIENTATION!**



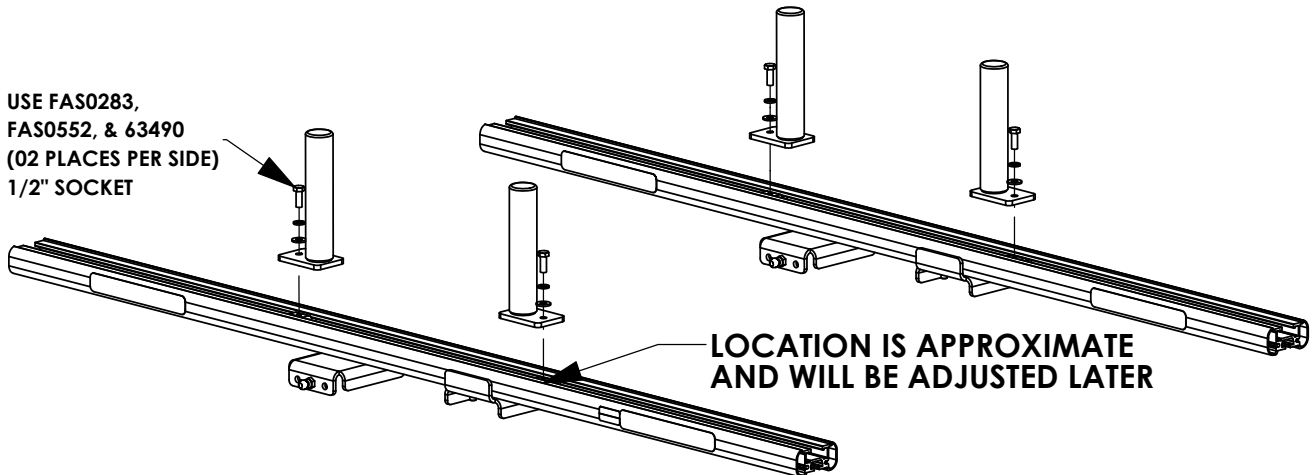
# STEP 2 - MOUNT DAMPER BRACKETS AND INNER STOPS TO CROSSBOWS



MOUNT 22" FROM THE END OF THE CROSSBOW

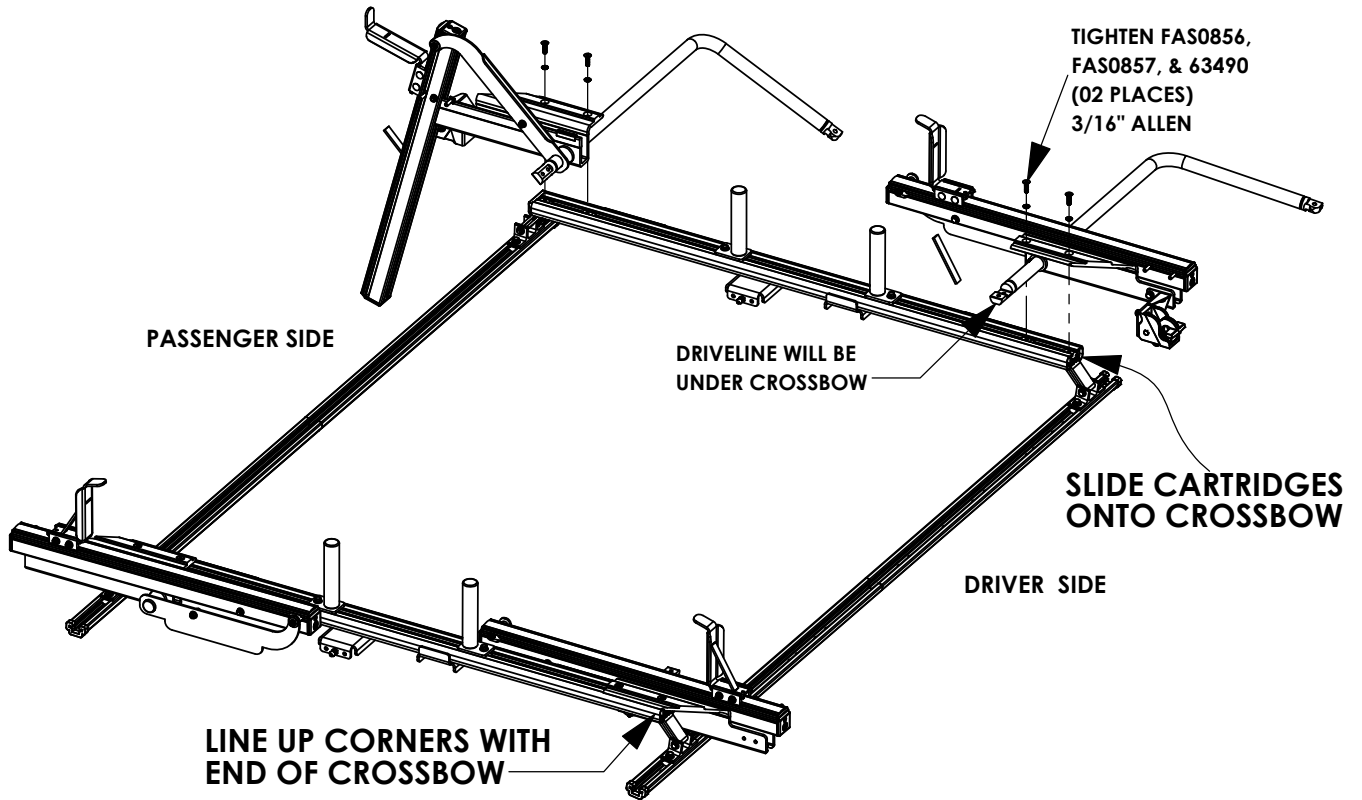


USE FAS0283, FAS0552, & 63490 (02 PLACES PER SIDE)  
1/2" SOCKET

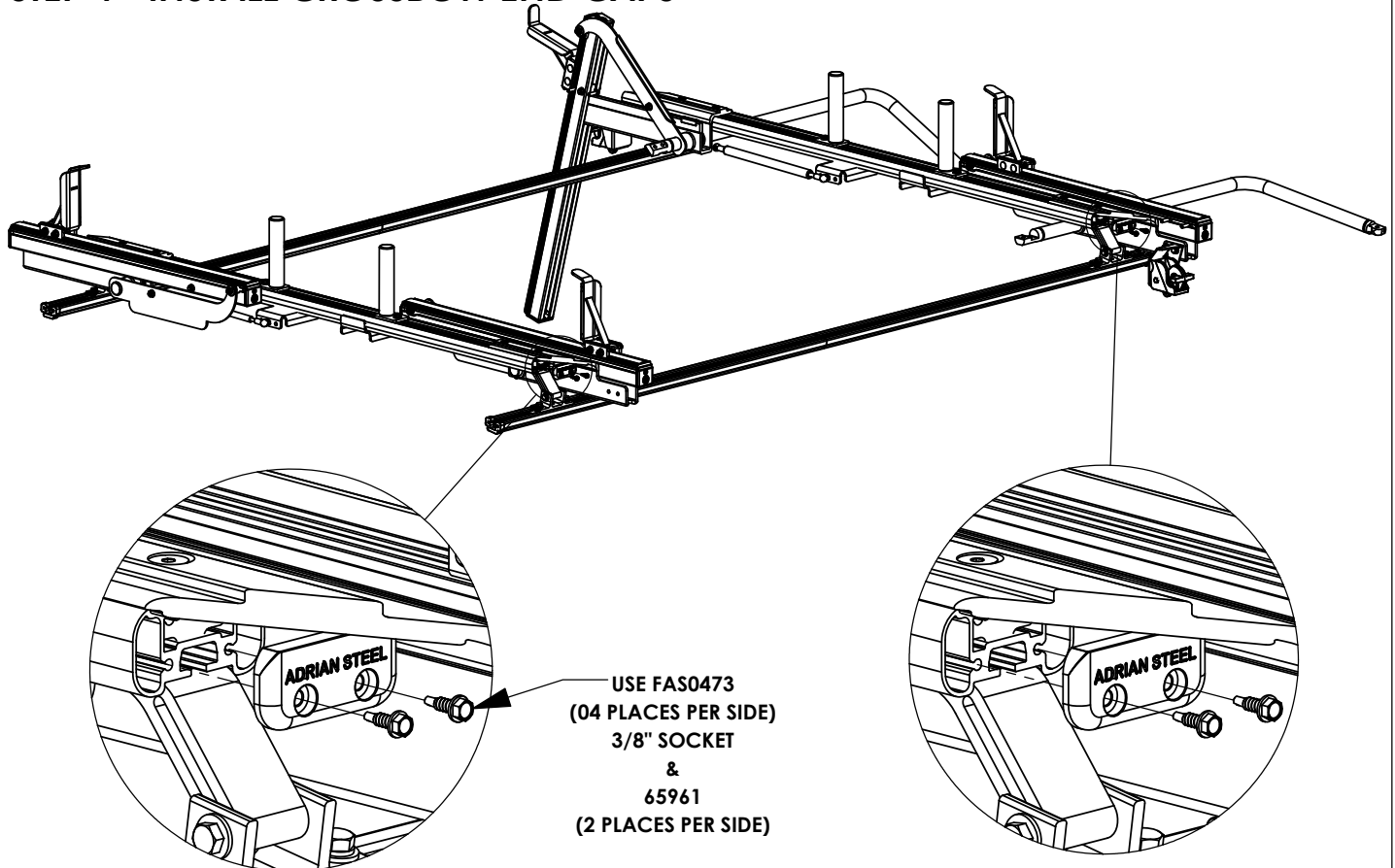




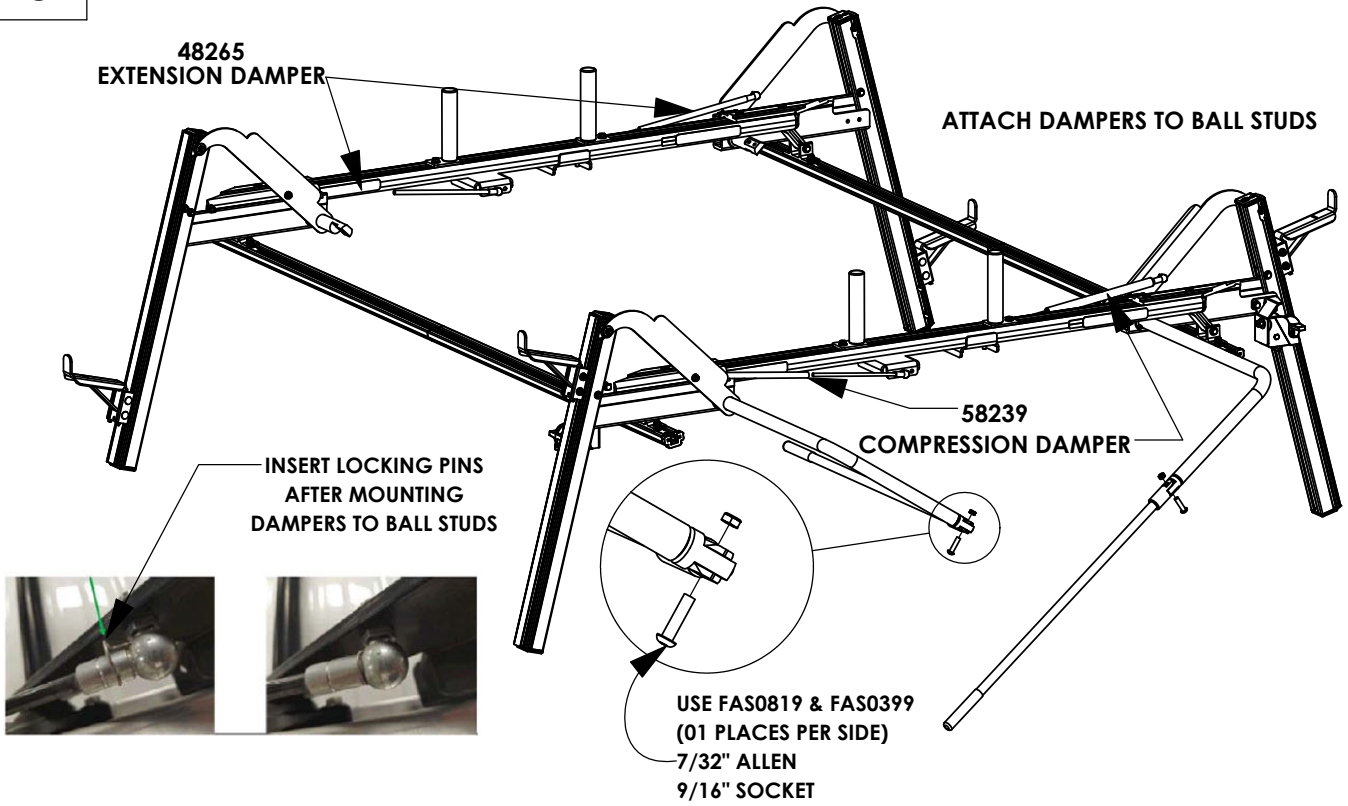
### STEP 3 - INSTALL CARTRIDGES ON CROSSBOWS



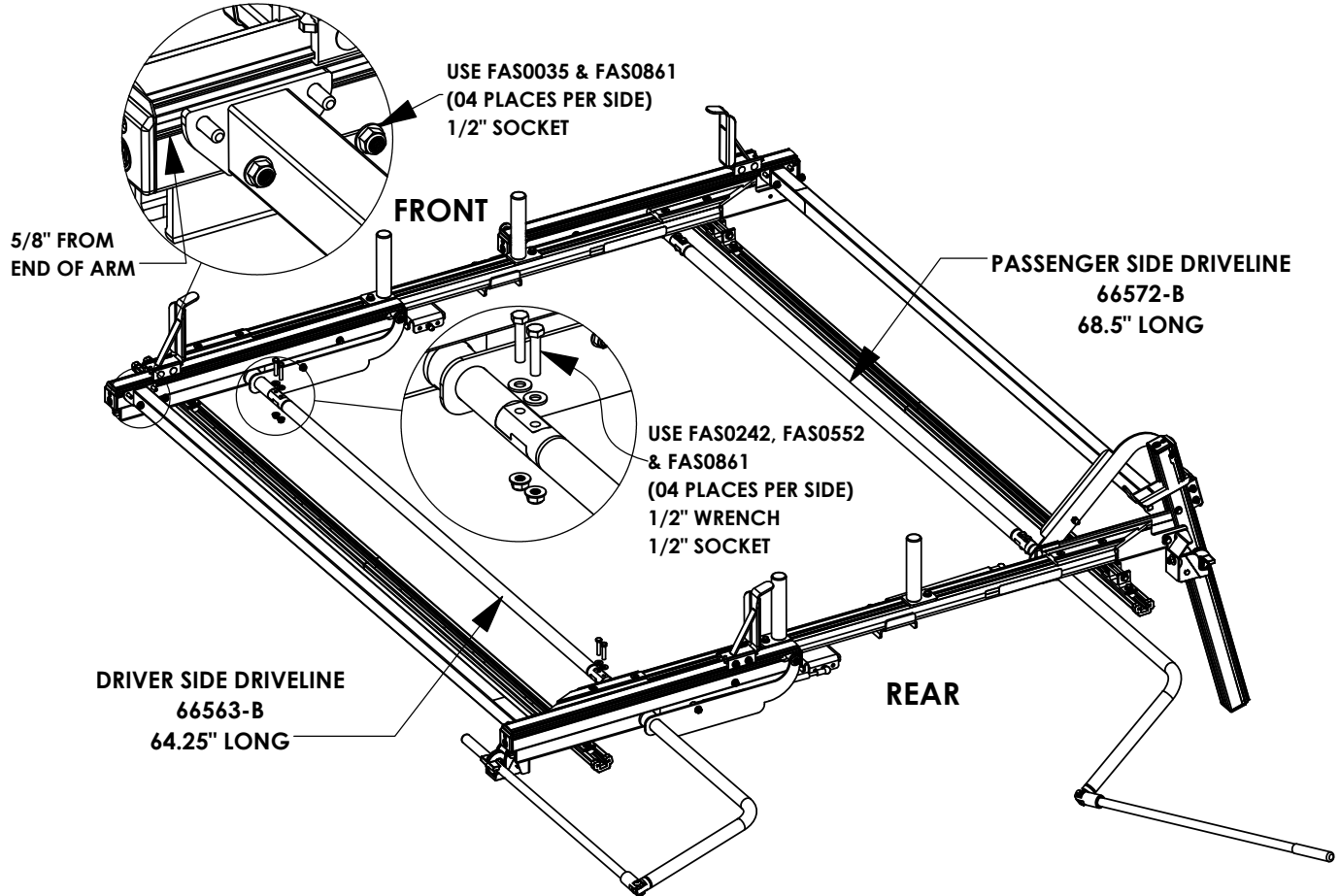
### STEP 4 - INSTALL CROSSBOW END CAPS



### STEP 5 - INSTALL DAMPERS AND DROP DOWN HANDLE



### STEP 6 - INSTALL DRIVELINE AND O.S. BAR





## 2-Crossbar Kit, 58", White, Minivan



PRODUCT WEIGHT  
**16.1 LBS**

CROSSBOW LENGTH X  
HEIGHT

**59" x 2"**

CAPACITY

**REFER TO OEM'S  
RECOMMENDED LOAD  
RATING**

COLOR

**WHITE**

CATALOG NUMBER

**2BARCW**

### PRODUCT FEATURES

Aluminum base 2-crossbow kit for PROFILE™ HD Utility, grip lock, drop down, or combo ladder racks. Works with all compact van platforms for each respective wheelbase and Ford Transit Ship Thru. Works with and without OEM specific rail kit and generic mounting bracket kits.

Optional uprights and conduit kits available.

Please refer to OEM specific mounting kit or rail kit for additional information on compatible accessories.

# INSTALLATION GUIDE FOR PROFILE™ SERIES LADDER RACKS

INSTRUCTION #:  
**68895**

REV:  
**B**

THIS INSTRUCTION PROVIDES A GENERAL GUIDE OF INSTALLATION SEQUENCE FOR ALL PROFILE™ SERIES LADDER RACKS. PLEASE ENSURE ALL ACCESSORIES ARE INSTALLED PER TYPE OF RACK BEFORE PROCEEDING TO NEXT PAGE.

REFERENCE THIS INSTRUCTION THROUGHOUT THE ENTIRETY OF YOUR INSTALL TO PREVENT ACCESSORIES BEING INSTALLED INCORRECTLY/OUT OF SEQUENCE!

**STEPS 21 - 81 ON PAGE 3 IS THE RECOMMENDED ASSEMBLY SEQUENCE FOR A FULL TABLE ASSEMBLY BEFORE INSTALLING ON THE ROOF OF THE VEHICLE.**

**STEPS 2R - 8R ON PAGE 4 IS AN ALTERNATE ASSEMBLY SEQUENCE TO INSTALL THE RACK ON THE VEHICLE ROOF AS IT IS BUILT.**

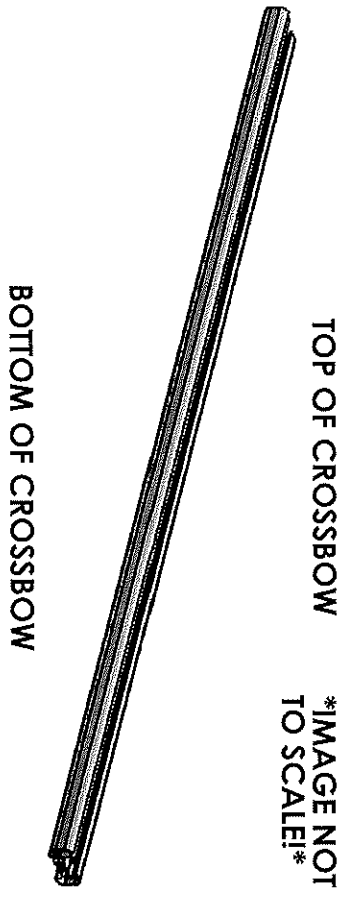
PLEASE SELECT THE ASSEMBLY SEQUENCE THAT BEST WORKS FOR YOU!



## ASSEMBLY STEPS:

**STEP 1A. SUB-ASSEMBLE EACH CROSSBOW WITH DESIRED ACCESSORIES FOR SECTIONS A.1 & A.2.**

**INSTRUCTIONS FOR EACH KIT CAN BE FOUND IN THEIR RESPECTIVE CARTON!**



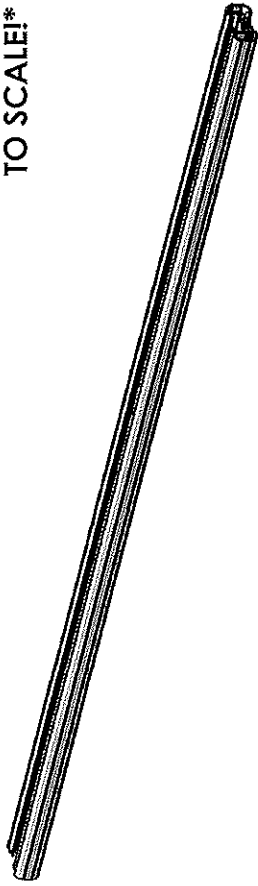
**TABLE 1**

TOP OF CROSSBOW		COMPONENTS TO INSTALL
A.1		HD UTILITY - CONDUIT KIT OR BEACON
		Grip-Lock - CONDUIT KIT OR BEACON
		ProLift - CONDUIT KIT OR BEACON
BOTTOM OF CROSSBOW		COMPONENTS TO INSTALL
A.2		HD UTILITY - LADDER STOP, STROBE BRACKET, AND/OR REAR ROLLER
		Grip-Lock - Grip-Lock SUB-ASSEMBLY
		ProLift - DAMPER BRACKET

**STEP 1B. SUB-ASSEMBLE EACH CROSSBOW WITH DESIRED ACCESSORIES FOR SECTIONS B.1 & B.2. INSTRUCTIONS FOR EACH KIT CAN BE FOUND IN THEIR RESPECTIVE CARTON!**

**TOP OF CROSSBOW**

**\*IMAGE NOT TO SCALE!\***



**BOTTOM OF CROSSBOW**

**TABLE 2**

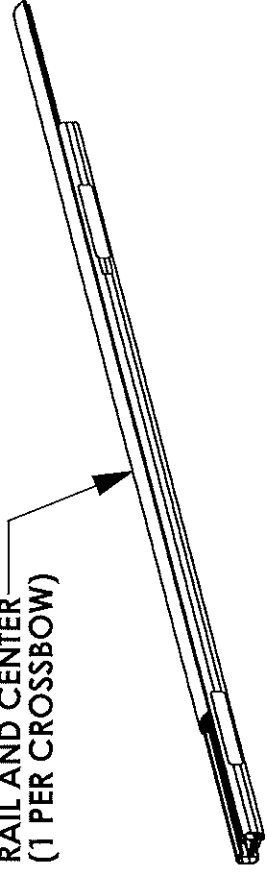
TOP OF CROSSBOW	
COMPONENTS TO INSTALL	
HD UTILITY	- WEAR STRIP (MODIFY IF NECESSARY, TABLE 3)
Grip-Lock	- WEAR STRIP (MODIFY IF NECESSARY, TABLE 3)
ProLift	- INNER STOP POST
BOTTOM OF CROSSBOW	
COMPONENTS TO INSTALL	
HD UTILITY	- MOUNTING BRACKETS
Grip-Lock	- MOUNTING BRACKETS
ProLift	- MOUNTING BRACKETS

**ALTER WEAR STRIP AND INSTALL ON CROSSBOW (IF APPLICABLE)! REFERENCE TABLE 3 BELOW FOR WEAR STRIP ALTERATION INSTRUCTIONS!**

**TABLE 3**

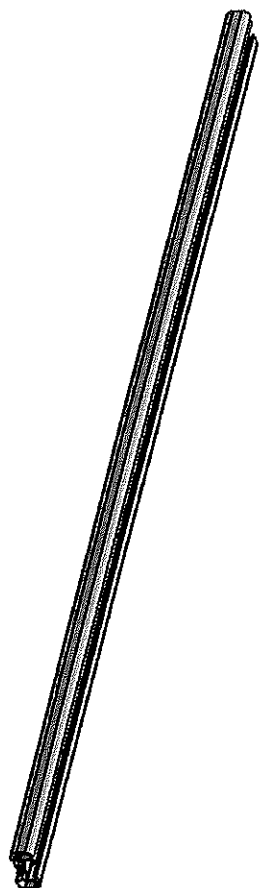
ADDED ACCESSORIES	ALTERATION FOR WEAR STRIP
4" UPRIGHT***	REMOVE 2" FROM END OF WEAR STRIP
4" PVC CONDUIT KIT	REMOVE 7.25" FROM CENTER OF WEAR STRIP
6" PVC CONDUIT KIT	REMOVE 9.50" FROM CENTER OF WEAR STRIP
ALUMINUM BOX CONDUIT KIT	REMOVE 13.25" FROM CENTER OF WEAR STRIP
BEACON	REMOVE 4" FROM CENTER OF WEAR STRIP
ProLift (SINGLE SIDE)	CUT WEAR STRIP IN HALF, DO NOT INSTALL ON ProLift SIDE
ProLift (DUAL SIDE)	DO NOT INSTALL WEAR STRIP

**SLIDE WEAR STRIP INTO RAIL AND CENTER (1 PER CROSSBOW)**



**STEP 1C SUB-ASSEMBLE EACH CROSSBOW WITH DESIRED ACCESSORIES FOR SECTIONS C.1 & C.2**

TOP OF CROSSBOW  
\*IMAGE NOT TO SCALE!\*



BOTTOM OF CROSSBOW

**TABLE 4**

TOP OF CROSSBOW COMPONENTS TO INSTALL	
HD UTILITY	- 4" UPRIGHT
Grip-Lock	- N/A
Prolift	- SLIDES FOR BASE EXTRUSION
BOTTOM OF CROSSBOW COMPONENTS TO INSTALL	
HD UTILITY	- UPRIGHTS (6", 9", RATCHET)
Grip-Lock	- STROBES
Prolift	- STROBES

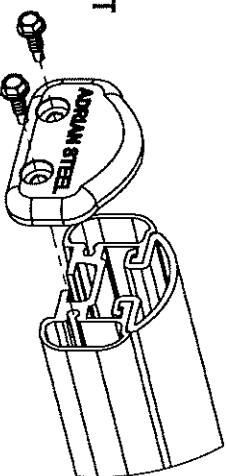
**ASSEMBLY STEPS (FULL BENCH ASSEMBLY):**

- 2T. ADD DRIVELINES (IF INSTALLING Prolift)
- 3T. ADD HANDLES (IF INSTALLING Grip-Lock OR Prolift) AND DAMPERS (IF INSTALLING Prolift)
- 4T. ADD OUTER SUPPORT BARS (IF INSTALLING Grip-Lock OR Prolift)
- 5T. ADD STEP LADDER KIT (Grip-Lock OR Prolift ONLY)

6T. ASSEMBLE ENDS CAPS TO CROSSBOW

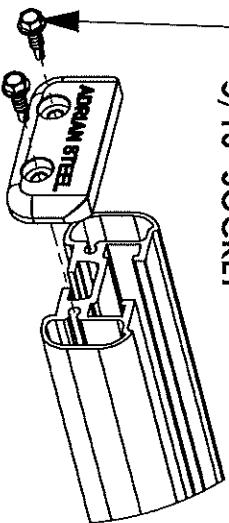
USED FOR HD UTILITY & Grip-Lock RACKS

LOCATED IN CROSSBOW KIT



FULLY TIGHTEN  
(2) FAS0473, 63851  
(2 PLACES PER END CAP)  
5/16" SOCKET

USED FOR Prolift RACKS  
LOCATED IN Prolift Kit



7T. INSTALL ROOF RAIL KIT ON VEHICLE ROOF OR BOTTOM MOUNTING BRACKETS

(ROOF RAIL KIT REQUIRED FOR Grip-Lock & Prolift OPTIONAL FOR HD UTILITY, NOT NEEDED FOR GM LADDER RACKS)

8T. MOUNT CROSSBOW SUB-ASSEMBLIES FROM STEP 1 TO VEHICLE/MOUNTING BRACKET, OR ROOF RAIL (LOOSE INSTALL)

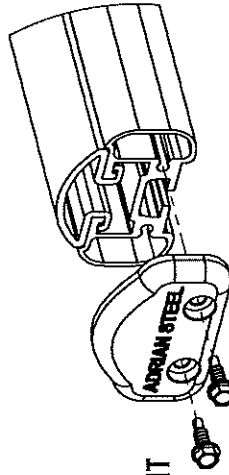
**ALTERNATE ASSEMBLY METHOD!**  
**(ASSEMBLE ON VEHICLE ROOF):**

- 2R. INSTALL ROOF RAIL KIT ON VEHICLE ROOF OR BOTTOM MOUNTING BRACKETS  
(ROOF RAIL KIT REQUIRED FOR Grip-Lock & ProLift, OPTIONAL FOR HD UTILITY, NOT NEEDED FOR GM LADDER RACKS)
- 3R. MOUNT CROSSBOW SUB-ASSEMBLIES FROM STEP 1 TO VEHICLE/MOUNTING BRACKET, OR ROOF RAIL (LOOSE INSTALL)
- 4R. ADD DRIVELINES (IF INSTALLING ProLift)
- 5R. ADD HANDLES (IF INSTALLING Grip-Lock OR ProLift) AND DAMPERS (IF INSTALLING ProLift)
- 6R. ADD OUTER SUPPORT BARS (IF INSTALLING Grip-Lock OR ProLift)
- 7R. ADD STEP LADDER KIT (Grip-Lock OR ProLift ONLY!)

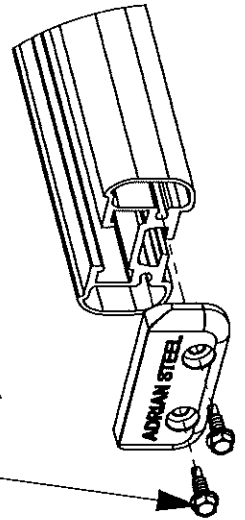
8R. ASSEMBLE END CAPS TO CROSSBOW

USED FOR HD UTILITY & Grip-Lock RACKS

LOCATED IN CROSSBOW KIT



FULLY TIGHTEN  
(2) FAS0473, 63851  
(2 PLACES PER END CAP)  
5/16" SOCKET



USED FOR ProLift RACKS  
LOCATED IN ProLift Kit