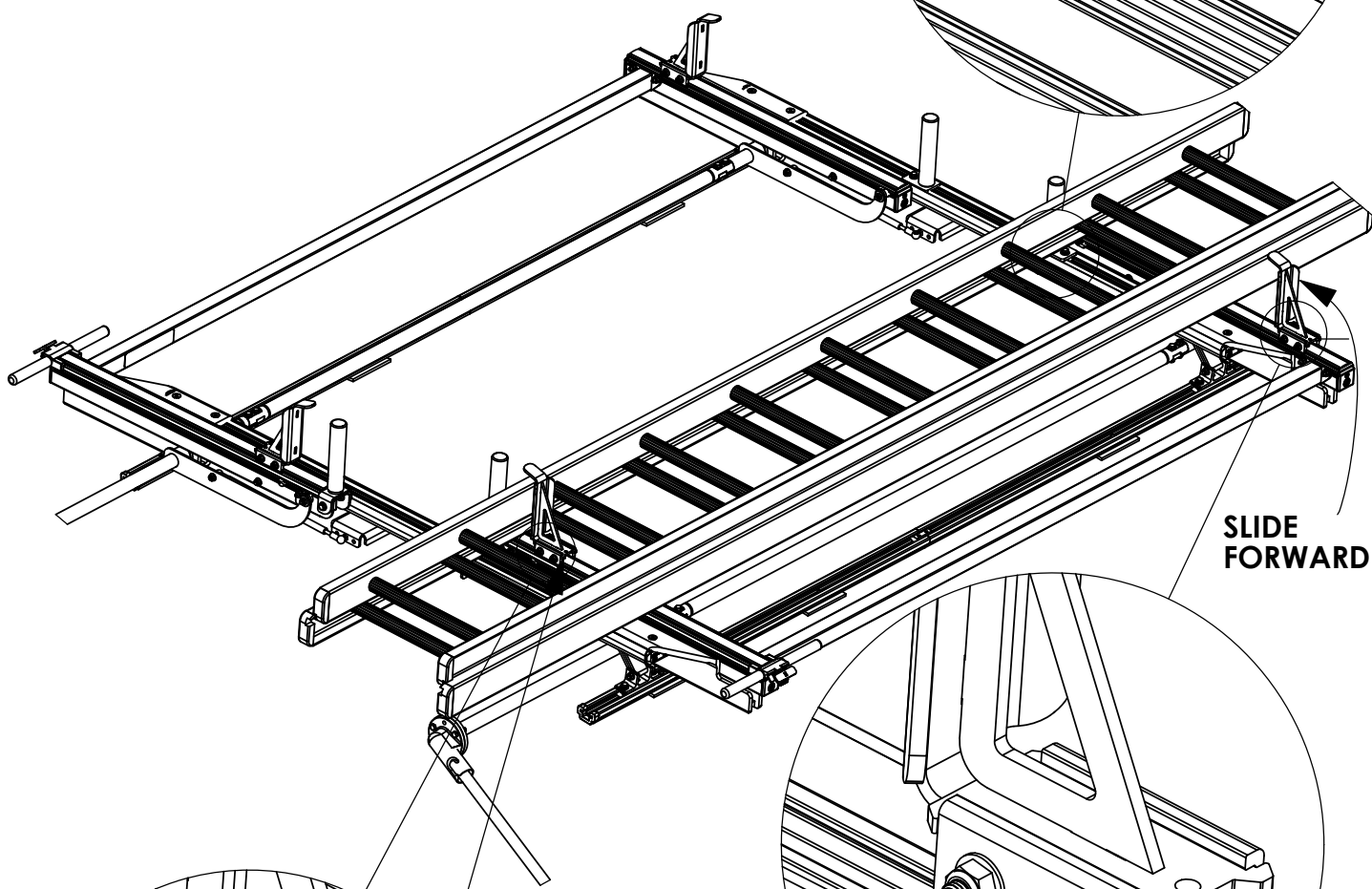
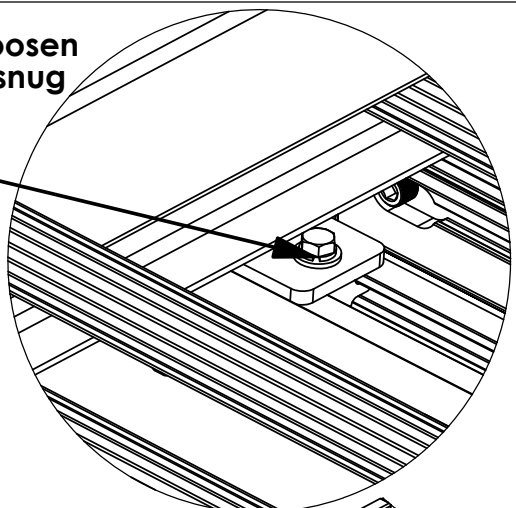


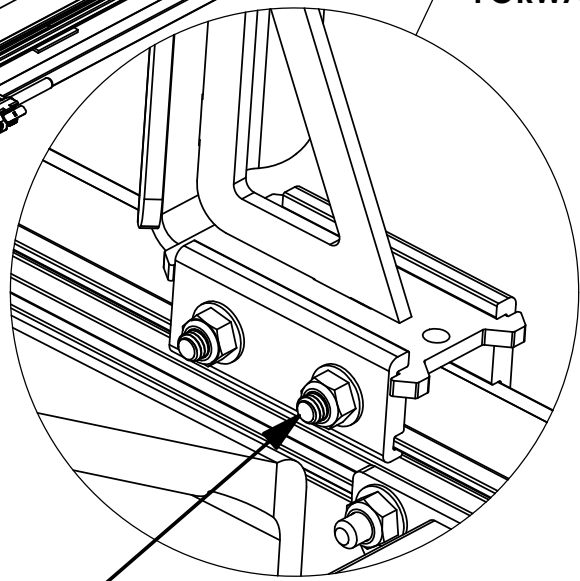
INSTR. NUMBER : 69483	PG: 1	REV: A
PART NUMBER • Max Drop ProLift - Low & Mid-Roof		
PART • ProLift Low & Mid-Roof DESC. • Adjustment Instructions		

**Step 2: With 1/2" Socket loosen nut, slide post so that it is snug against ladder
Tighten nut**

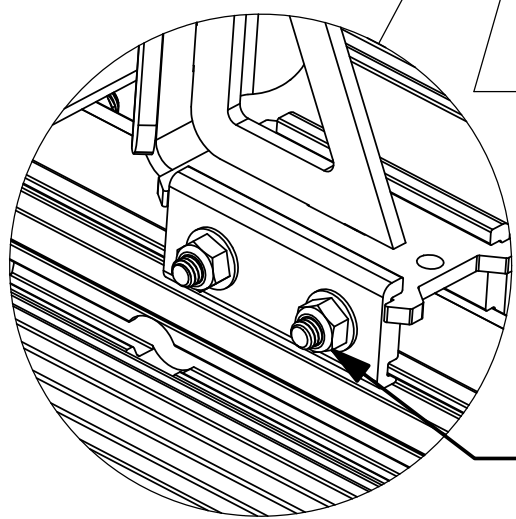


SLIDE FORWARD

SLIDE FORWARD



**Step 3: With 1/2" Socket loosen nuts (x2) slide clamp so that it is snug against outside of ladder
Tighten nuts (X2)**

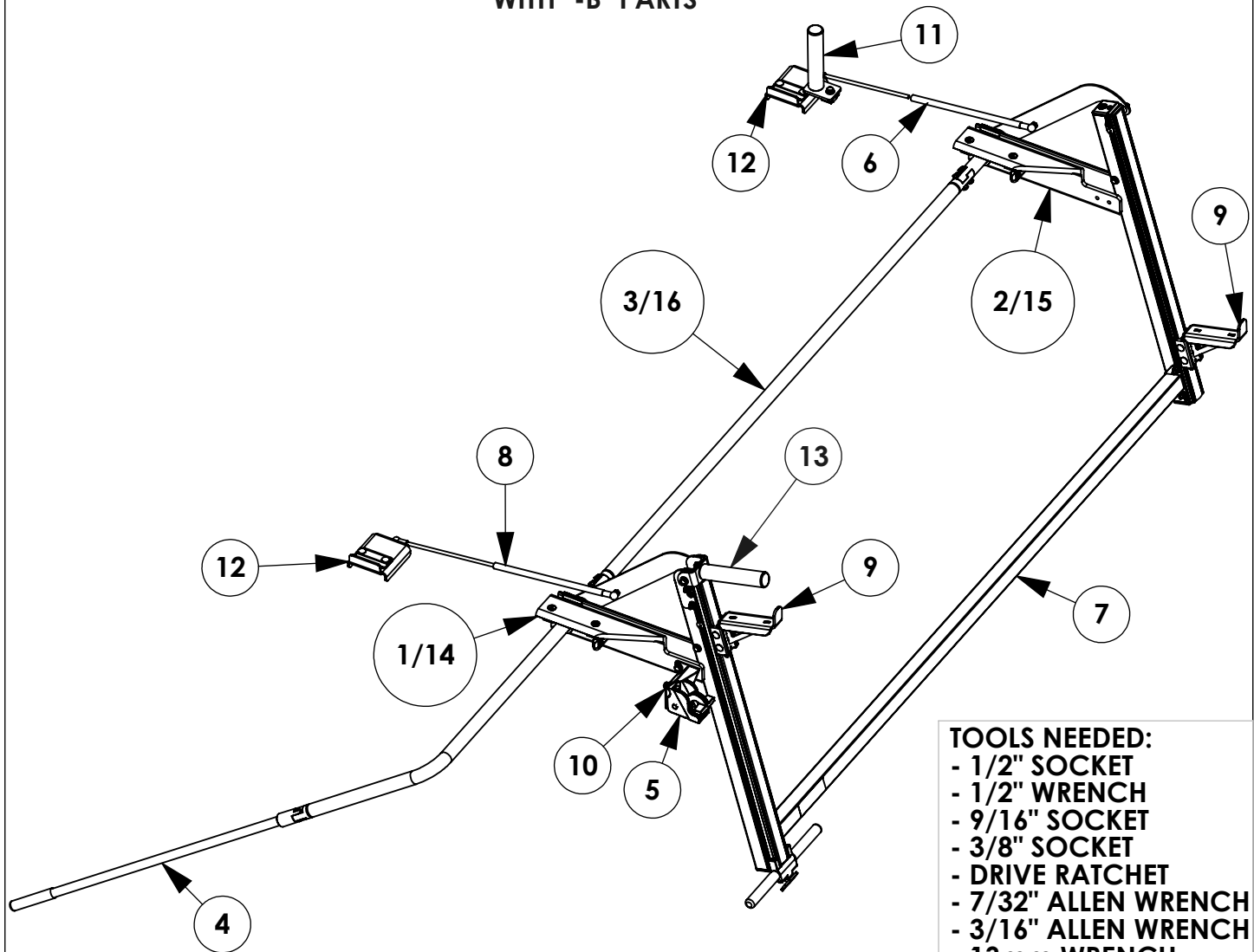


**Step 1: With 1/2" Socket loosen nuts (x2) slide clamp so that it is snug against ladder
Tighten nuts (X2)**

Once all brackets are adjusted operate rack to make sure clamps are not too tight

INSTR. NUMBER	PG:	REV:	ITEM NO.	PART NUMBER	DESCRIPTION	PLMDPSLW	PLMDDSLW
: 68495	1	B	1/14	68029-W	MAX DROP ARM ASM,LR,PS,W	1	-
			2/15	68031-W	DROP DOWN FRONT ARM ASSM PS, WHITE	1	-
PART NUMBER : PLMDPSL & PLMDDSL			3/16	66572-B	DROP DOWN, CS CENTER DRIVELINE, BLK	1	-
			4	66611-B	DROP DOWN, PIVOT HANDLE, BLK	1	1
PART • PROLIFT,MAX,PS,LR DESC. • & PROLIFT,MAX,DS,LR			5	25340-0	HANDLE LATCH-STD	1	1
			6	48265	DAMPER ASSEMBLY	1	1
			7	66959-W	DROP DOWN OUTER BAR, WELDMENT, WHITE	1	1
			8	58239	COMPRESSION DAMPER	1	1
			9	68037-B	CLAMP PAD, 6.5", BLACK	2	2
			10	68180-W	DROP DOWN LATCH BRACKET, WHITE	1	1
			11	68186-W	PROLIFT INNER POST, WHITE	1	2
			12	68045-W	PROLIFT DAMPER MOUNT, WHITE	2	2
			13	68196-W	PROLIFT MAX DROP STOP, WHITE	1	1
			14	68012-W	MAX DROP ARM ASM,LR,DS, WHITE	-	1
			15	68013-W	DROP DOWN FRONT ARM ASM DS, WHITE	-	1
			16	66563-B	DROP DOWN, SS CENTER DRIVELINE, BLK	-	1

- PART NUMBERS WITH "-W" SUFFIX ARE PAINTED WHITE
- FOR BLACK MOUNTING KITS, REPLACE "-W" PARTS WITH "-B" PARTS



- TOOLS NEEDED:**
- 1/2" SOCKET
 - 1/2" WRENCH
 - 9/16" SOCKET
 - 3/8" SOCKET
 - DRIVE RATCHET
 - 7/32" ALLEN WRENCH
 - 3/16" ALLEN WRENCH
 - 13mm WRENCH
 - TAPE MEASURE
 - RUBBER Mallet
 - IMPACT DRIVER

****IF BUILDING A DUAL SIDED RACK BUILD BOTH SIDES IN PARALLEL FOR EACH STEP. IF BUILDING SINGLE SIDED REFERENCE ONLY THAT SIDE WHEN BUILDING.****

GET TO KNOW THE VEHICLE - AT THE BEGINNING OF ANY INSTALLATION, CHECK THE LOCATION OF THE FUEL TANK, FUEL LINES, BRAKE LINES, HIGH VOLTAGE BATTERIES AND WIRING HARNESSSES TO AVOID INJURY OR PROPERTY DAMAGE FROM TOOL CONTACT.

SEAL ALL EXTERIOR HOLES - ALL INSTALLATION HOLES SHOULD BE SEALED WITH BUTYL TAPE OR SILICON TO PREVENT WATER AND EXHAUST GASES FROM ENTERING THE VEHICLE.

CONTROL DRILL DEPTH - TO AVOID DAMAGE TO THE VEHICLE, USE A DRILL STOP OR CLEARED STEP BIT WHEN DRILLING INSTALLATION HOLES.

ALWAYS ADD PRIMER - WHEN ADDING INSTALLATION HOLES BE SURE TO USE A SELF-ETCHING PRIMER TO PREVENT CORROSION, FASTENER FAILURE AND INJURY.

MOUNTING POINTS MUST HAVE METAL-TO-METAL CONTACT - USE PROVIDED MOUNTING SPACERS TO ACCOMMODATE FOR VEHICLE FEATURES, CARPET OR SUBFLOORS.

PROVIDE CLEARANCE FOR SPACERS - IF THE INSTALLATION VEHICLE CONTAINS A CARPET OR SUBFLOOR, USE A 1-3/16" DIAMETER CARPET CUTTER (P/N: 31183-0) AT ALL MOUNTING LOCATIONS TO OPEN UP ROOM FOR SPACERS.

CHECK SPACER ORIENTATION - BE SURE THAT THE INDENT IN THE SPACER COVERS THE PLUSNUT HEAD; THIS ENSURES THE MOST METAL-TO-METAL CONTACT AND REDUCES VIBRATION.

PLUSNUT INSTALLATION - A PLUSNUT GUN IS RECOMMENDED FOR PLUSNUT INSTALLATION FOR ITS PRODUCTION SPEED. HOWEVER, A PLUSNUT SETTING TOOL CAN ALSO BE USED (P/N: 22200-0).

THRU-BOLT CLEARANCE - WHEN USING A THRU-BOLT AT ANY MOUNTING LOCATION, BE SURE THAT YOUR HOLE HAS 1/16" CLEARANCE.

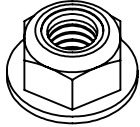
BEST PRACTICE: ORGANIZE ALL FASTENERS & VERIFY THAT ALL ARE ACCOUNTED FOR

PAGE:

3

FASTENERS AND HARDWARE USED

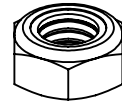
BAG REFERENCE: BAG68200 & BAG68201



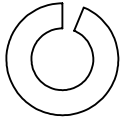
FAS0861
NUT,HEX NLK FLG 5/16-18
QTY: 20



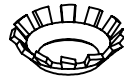
FAS0110
NUT,HEX NLK 3/8-16
QTY: 01



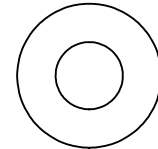
FAS0399
NUT,HEX NLK LT 3/8-16
QTY: 01



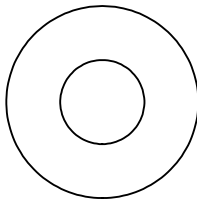
FAS0588
WASHER,LCK SPLIT 5/16
QTY: 03



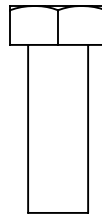
FAS0857
WASHER,LCK EXT CS 5/16
QTY: 04



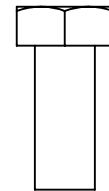
FAS0552
WASHER,FLAT USS 5/16
QTY: 09



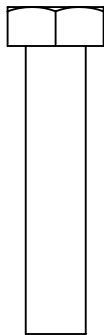
FAS0720
WASHER,FLAT USS 3/8
QTY: 01



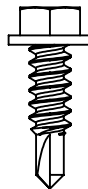
FAS0283
SCREW,HH 5/16-18X.875
QTY: 03



FAS0799
SCREW,HH 5/16-18X.75
QTY: 02



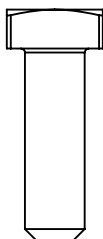
FAS0242
SCREW,HH 5/16-18X1.5
QTY: 04



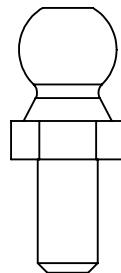
FAS0473
SCREW,HH TEK #12X.75
QTY: 04



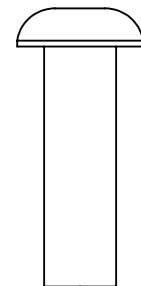
FAS0856
SCREW,FHH 5/16-18X1.13
QTY: 04



FAS0035
BOLT,SQ HD 5/16-18X1.0
QTY: 02



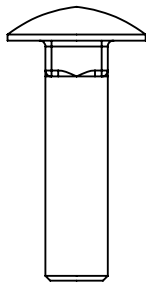
34927-0
BALL STUD 13MM X 5/16-18
QTY: 02



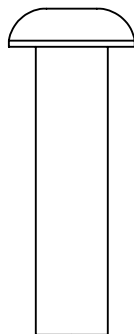
FAS0701
SCREW,BHCS 3/8-16X1.25
QTY: 01

INTENTIONALLY LEFT BLANK

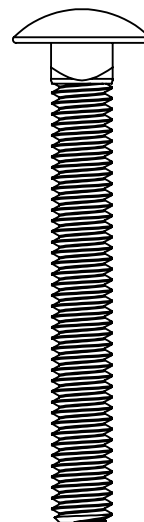
FASTENERS AND HARDWARE USED



FAS0812
BOLT,CRG 5/16-18X1.25
QTY: 04



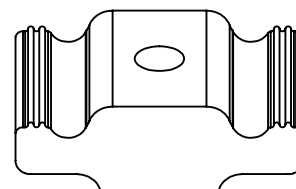
FAS0819
SCREW,BHCS 3/8-16X1.5
QTY: 01



FAS0838
BOLT,CRG 5/16-18X2.5
QTY: 04



64831
REAR ROLLER, SPACER
QTY: 02



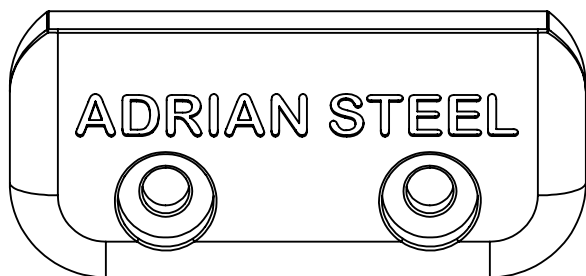
63490
RAIL SLIDE, 1"
QTY: 05



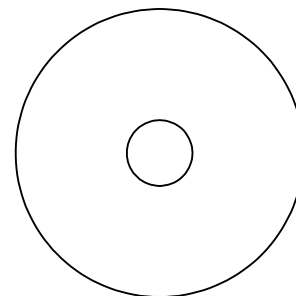
64830
REAR ROLLER, BOLT PLATE
QTY: 02



34928-0
CLIP, SPRING, RETAINER, 13MM
QTY: 04



65961
DROP DOWN END CAP
QTY: 02



DISCARD FAS0603
SCREW,HH 5/16-18X.875
QTY: 01

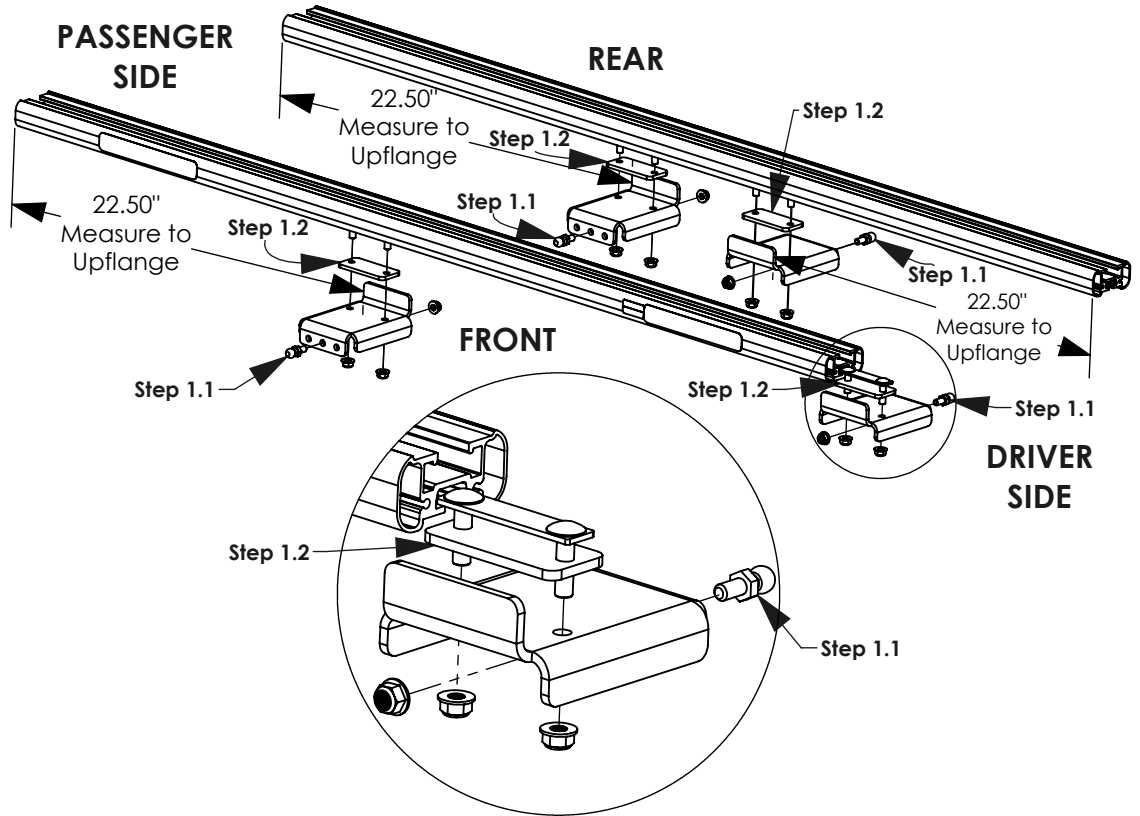
INTENTIONALLY LEFT BLANK

STEP 1 - MOUNT DAMPER BRACKETS

Step 1.1
FULLY TIGHTEN
34927-0 & FAS0861
(02 PLACES PER
SIDE)
13mm WRENCH
1/2" SOCKET

A.2

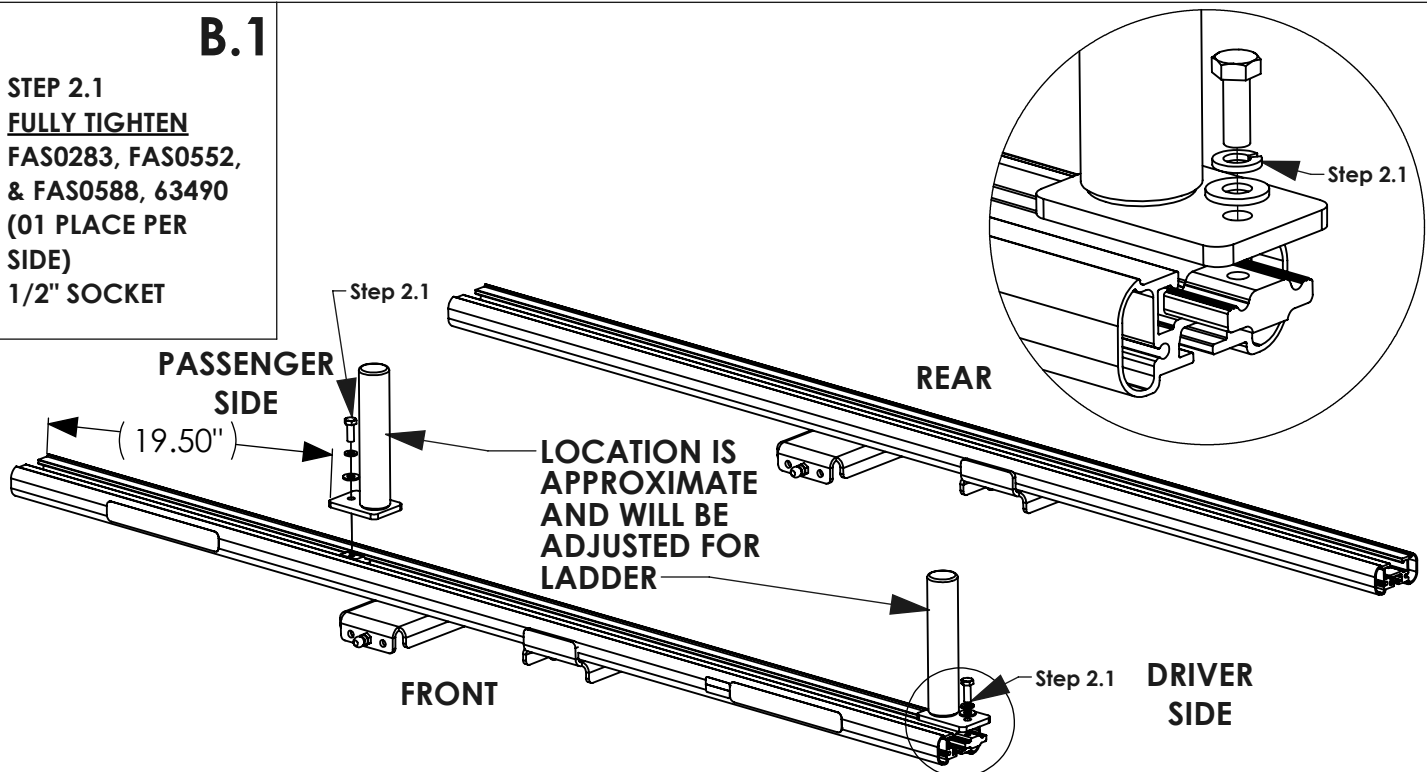
STEP 1.2
FULLY TIGHTEN
(02) FAS0812,
64830, 64831, &
(02) FAS0861
(02 PLACES PER
SIDE)
1/2" SOCKET



STEP 2 - MOUNT INNER STOPS TO FRONT CROSSBOW

B.1

STEP 2.1
FULLY TIGHTEN
FAS0283, FAS0552,
& FAS0588, 63490
(01 PLACE PER
SIDE)
1/2" SOCKET



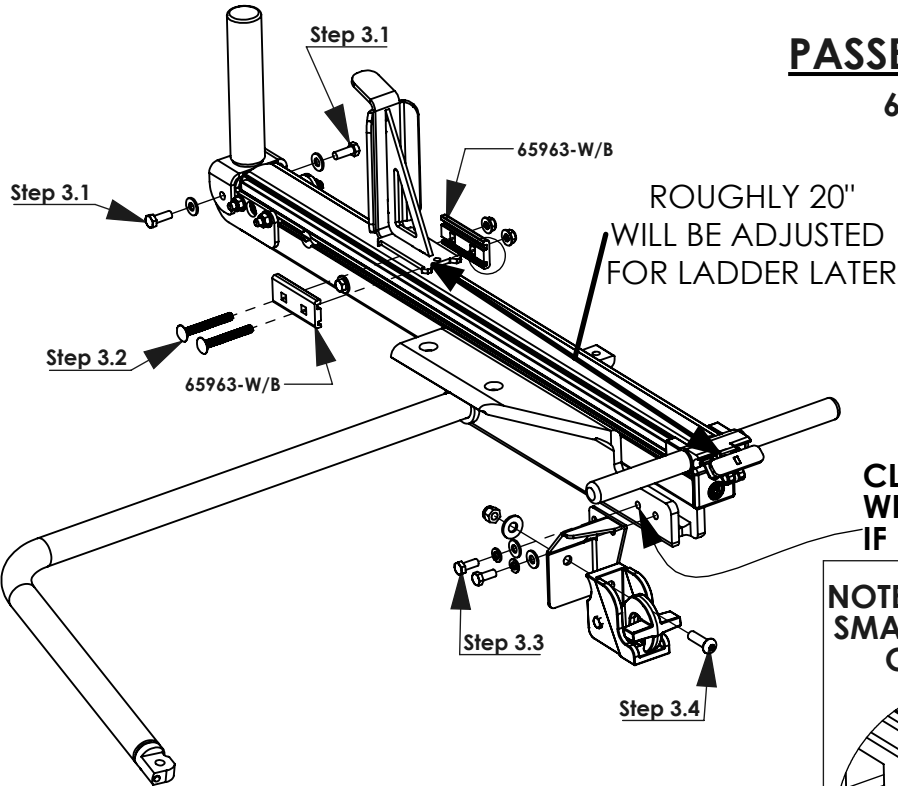
STEP 3 - INSTALL CLAMPS AND HARDWARE ON DROP DOWN CARTRIDGES

REAR SUB-ASSEMBLY

PASSENGER SIDE

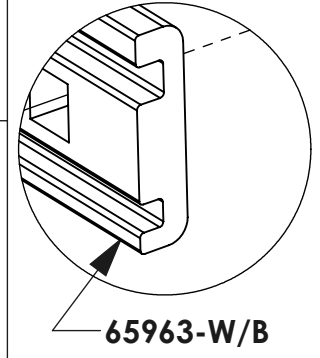
68029-W/B

STEP 3.1
FULLY TIGHTEN
FAS0283, FAS0552,
& FAS0861
(02 PLACES)
1/2" WRENCH
1/2" SOCKET



CLEAN OUT HOLES
WITH 5/16-18 TAP
IF NECESSARY

NOTE ORIENTATION:
SMALLER CHANNEL
ON BOTTOM

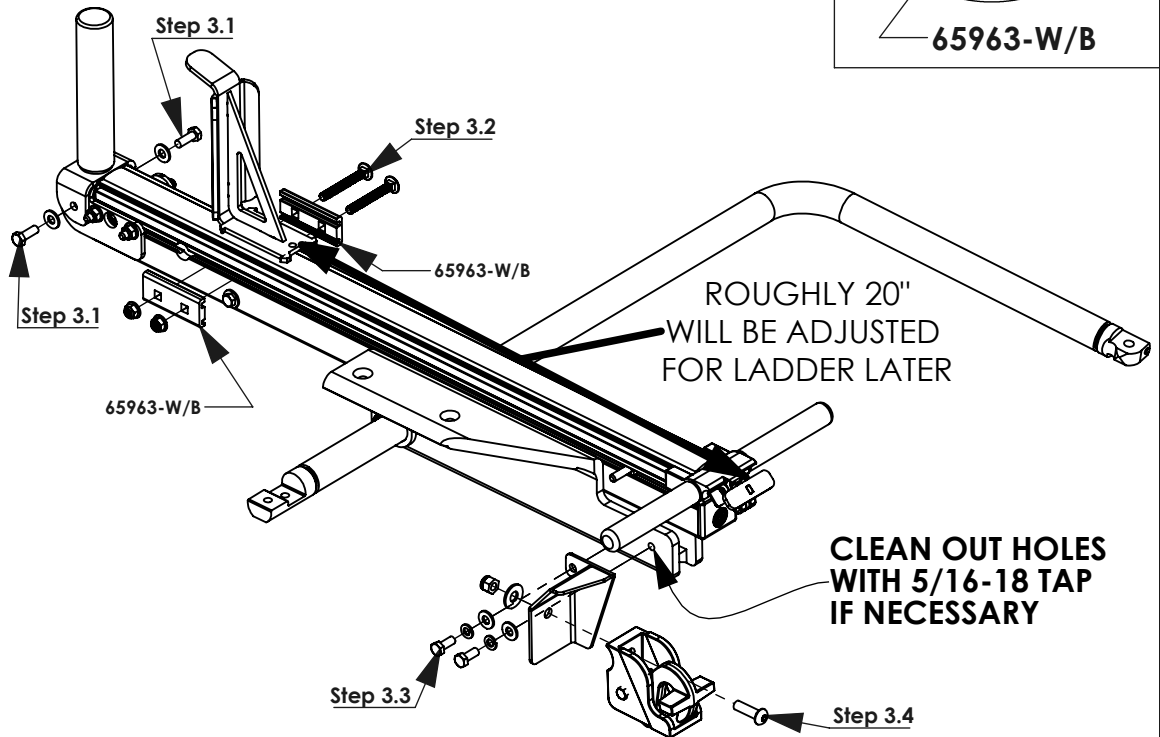


STEP 3.2
FULLY TIGHTEN
FAS0838 &
FAS0861
(02 PLACES)
1/2" SOCKET

DRIVER SIDE

68012-W/B

STEP 3.3
FULLY TIGHTEN
FAS0799,
FAS0552, &
FAS0588
(02 PLACES)
1/2" SOCKET



CLEAN OUT HOLES
WITH 5/16-18 TAP
IF NECESSARY

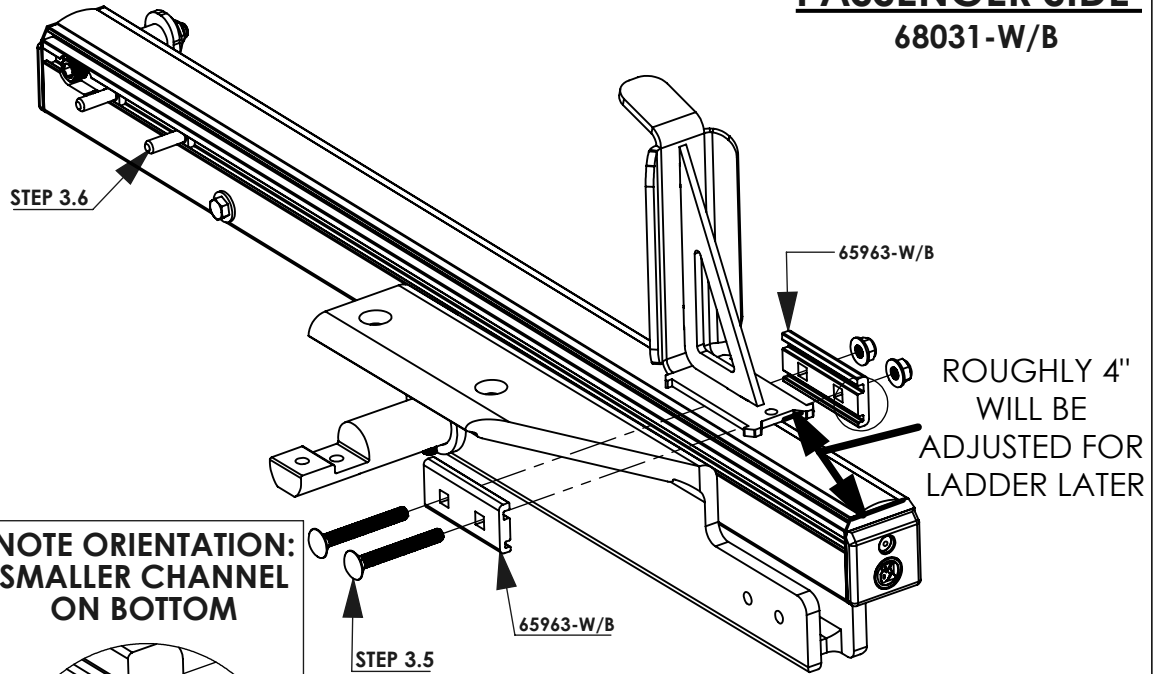
STEP 3.4
FULLY TIGHTEN
FAS0701, FAS0720,
& FAS0110
(01 PLACE)
7/32" ALLEN
9/16" SOCKET

FRONT SUB-ASSEMBLY

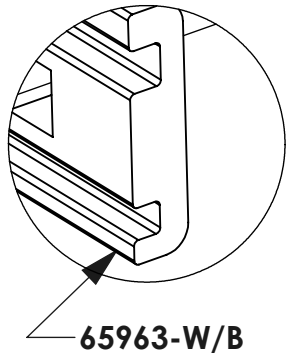
PASSENGER SIDE

68031-W/B

STEP 3.5
FULLY TIGHTEN
FAS0838 &
FAS0861
(02 PLACES)
1/2" SOCKET



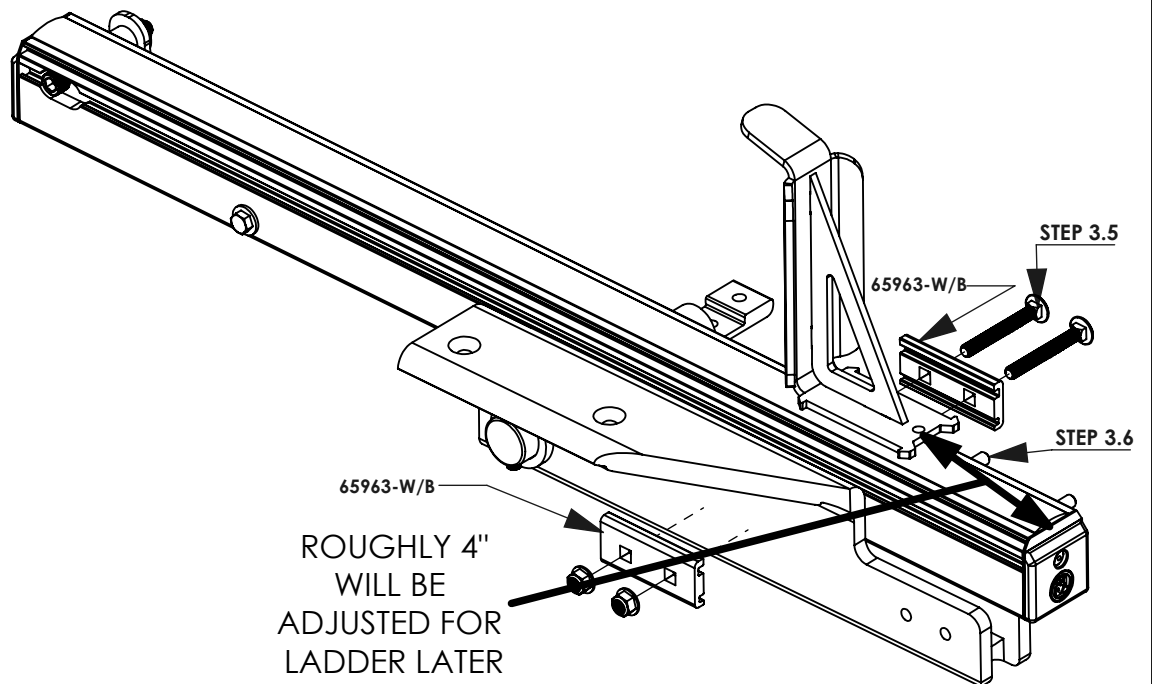
NOTE ORIENTATION:
SMALLER CHANNEL
ON BOTTOM



DRIVER SIDE

68013-W/B

STEP 3.6
FAS0035
SLIDE INTO SLOT
(02 PLACES)



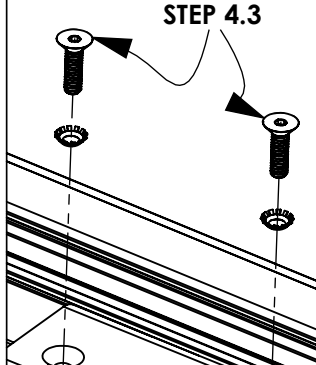
ROUGHLY 4"
WILL BE
ADJUSTED FOR
LADDER LATER



REFERENCE INSTALLATION GUIDE 68895 TABLES 1-3 INSTALLATION OF A.1, A.2, B.1, & B.2 SHOULD BE COMPLETE BEFORE PROCEEDING TO STEP 4

STEP 4 - INSTALL CARTRIDGES ON CROSSBOWS

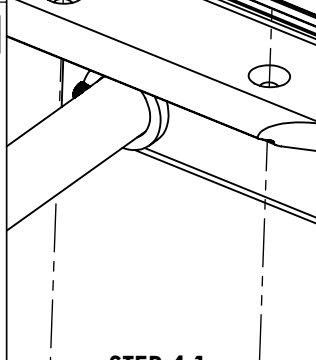
STEP 4.1
SLIDE 63490 INTO
END OF
CROSSBOWS



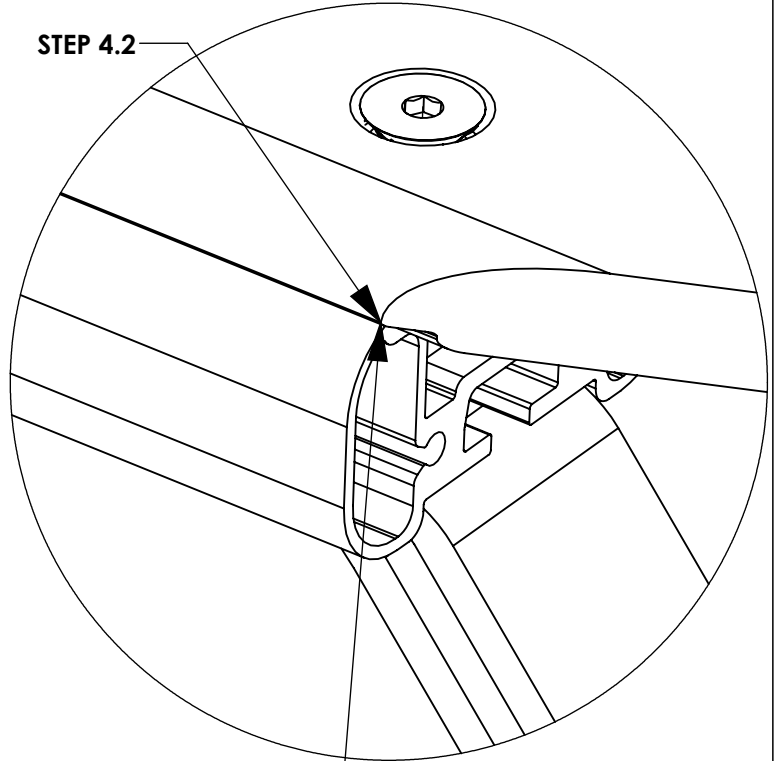
STEP 4.3

STEP 4.2
LINE UP CORNERS
WITH END OF
CROSSBOW

C.1

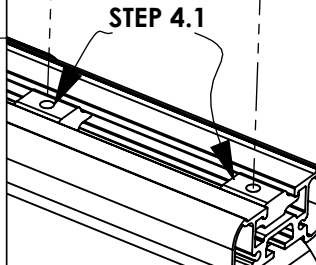


STEP 4.2

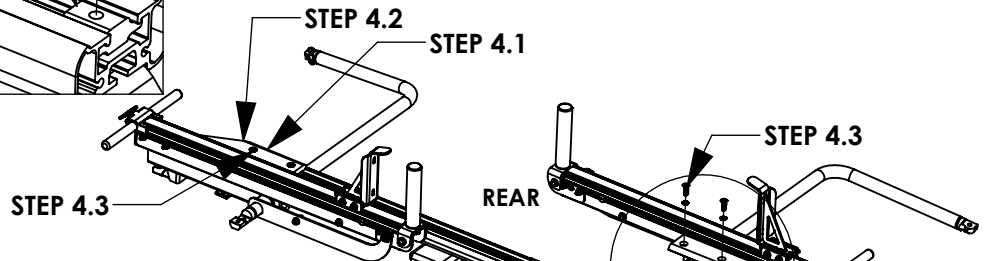


LINE UP CORNERS!!

STEP 4.3
FULLY TIGHTEN
(02) FAS0856,
(02) FAS0857, &
(02) 63490
(02 PLACES PER
SIDE)
3/16" ALLEN



STEP 4.1



STEP 4.2

STEP 4.1

STEP 4.3

REAR

DRIVELINE WILL BE
UNDER CROSSBOW

STEP 4.2

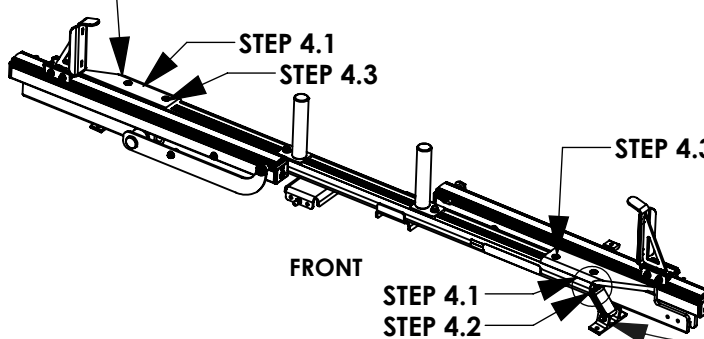
STEP 4.1

PASSENGER
SIDE

STEP 4.2

STEP 4.1

STEP 4.3



STEP 4.3

DRIVER
SIDE

FRONT

STEP 4.1

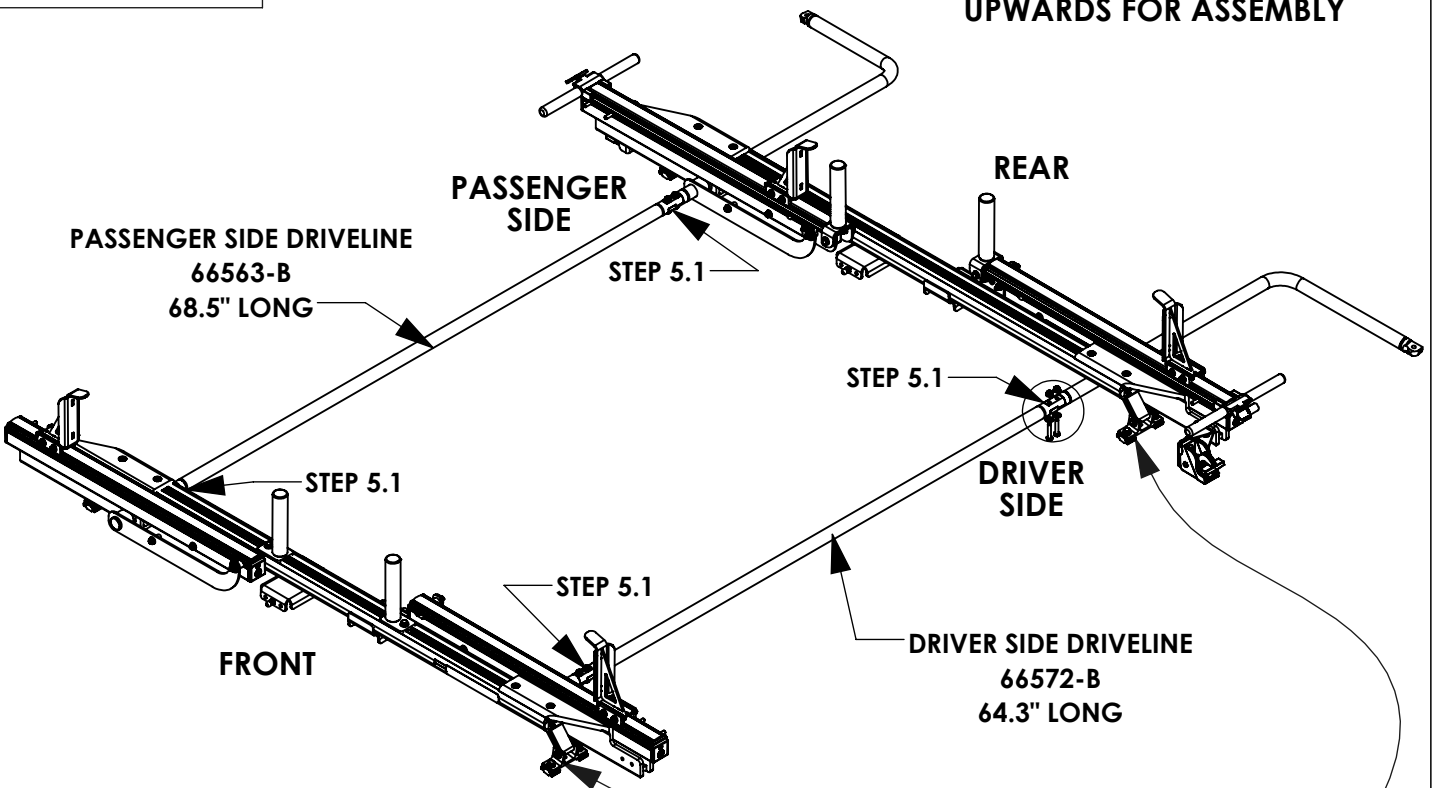
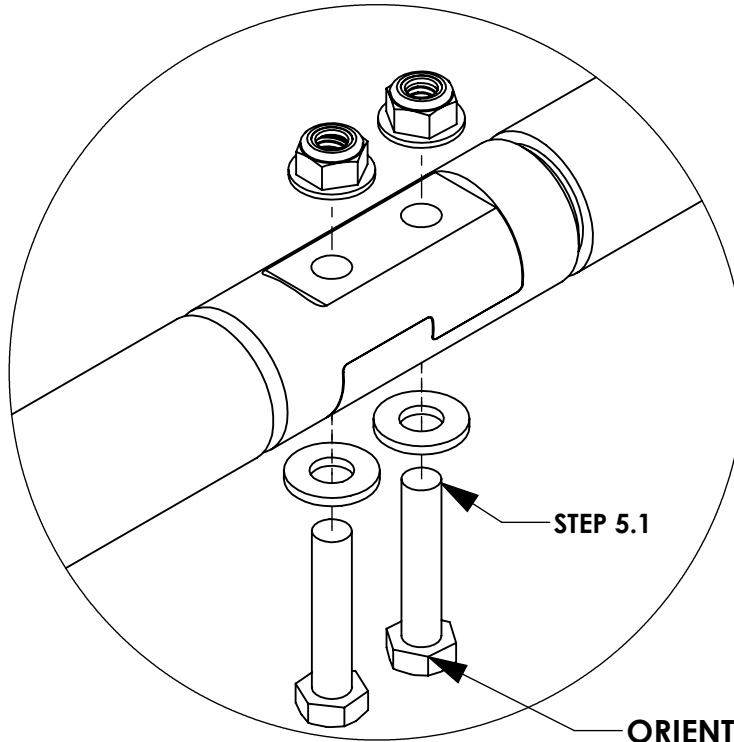
STEP 4.2

UNIVERSAL MOUNTING
KIT SHOWN
FOR REFERENCE

STEP 5 - INSTALL DRIVELINE

STEP 5.1
FULLY TIGHTEN
FAS0242, FAS0552
& FAS0861
(04 PLACES PER
SIDE)
1/2" WRENCH
1/2" SOCKET

BEST PRACTICE:
WHEN INSTALLING
BOLTS OPEN RACK
ROUGHLY 45
DEGREES FOR
EASIER ACCESS &
INSTALLATION



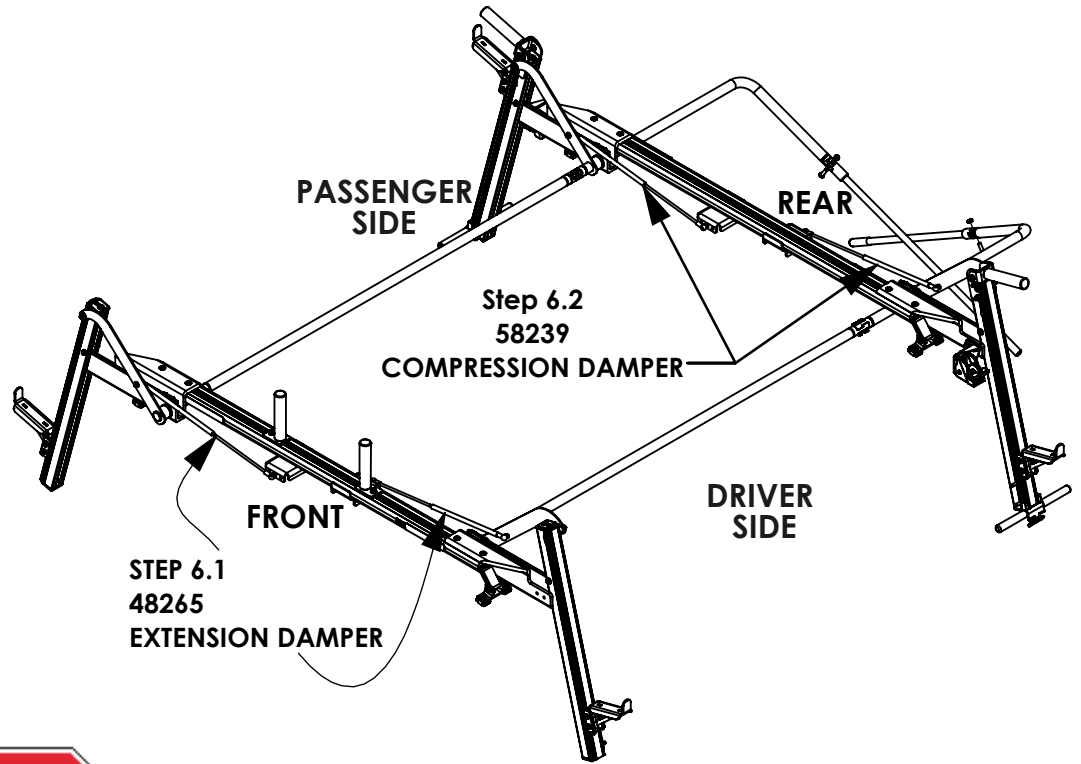
UNIVERSAL MOUNTING
KIT SHOWN
FOR REFERENCE

STEP 6 - DEPLOY RACK & INSTALL DAMPERS AND DROP DOWN HANDLE

Step 6.1
ATTACH EXTENSION
DAMPERS (48265) TO
BALL STUDS.
ORIENTATION OF
DAMPER MATTERS!!!
(01 PLACE PER SIDE)

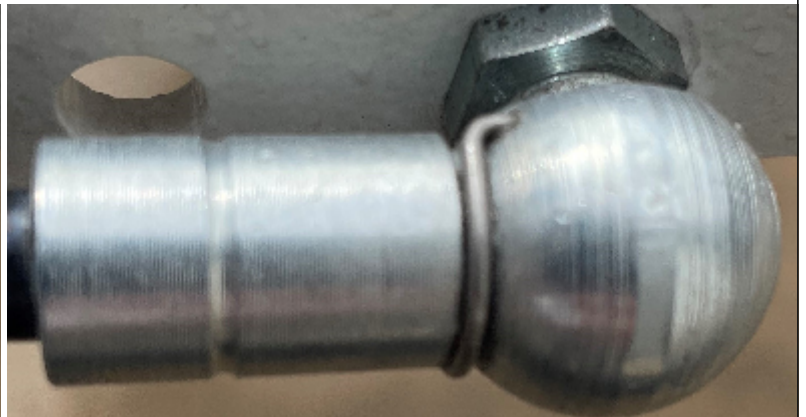
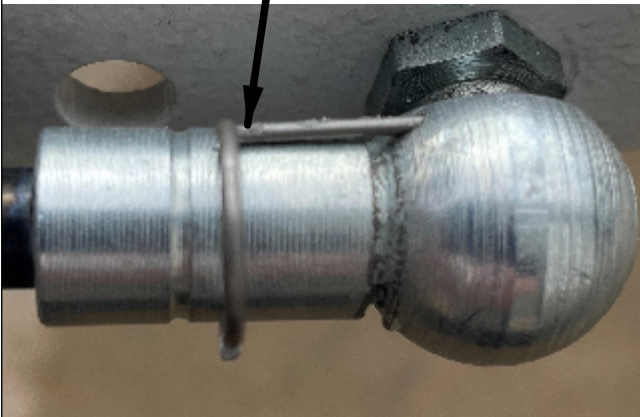
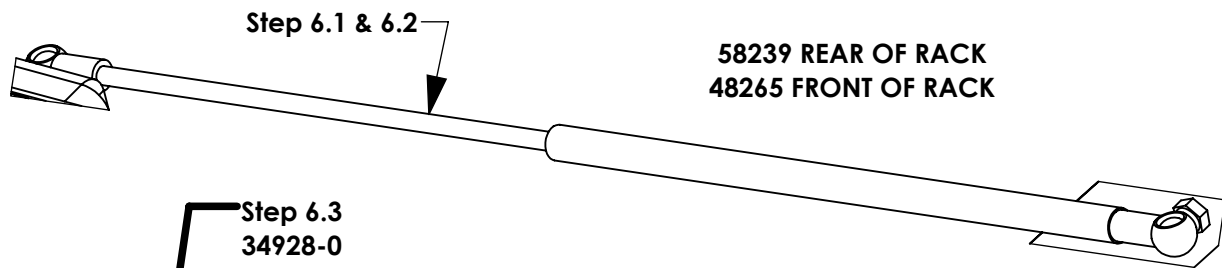
Step 6.2
ATTACH
COMPRESSION
DAMPERS (58239) TO
BALL STUDS.
ORIENTATION OF
DAMPER MATTERS!!!
(01 PLACE PER SIDE)

Step 6.3
INSERT LOCKING
PINS (34928-0)
AFTER MOUNTING
DAMPERS TO BALL
STUDS
(04 PLACES PER SIDE)



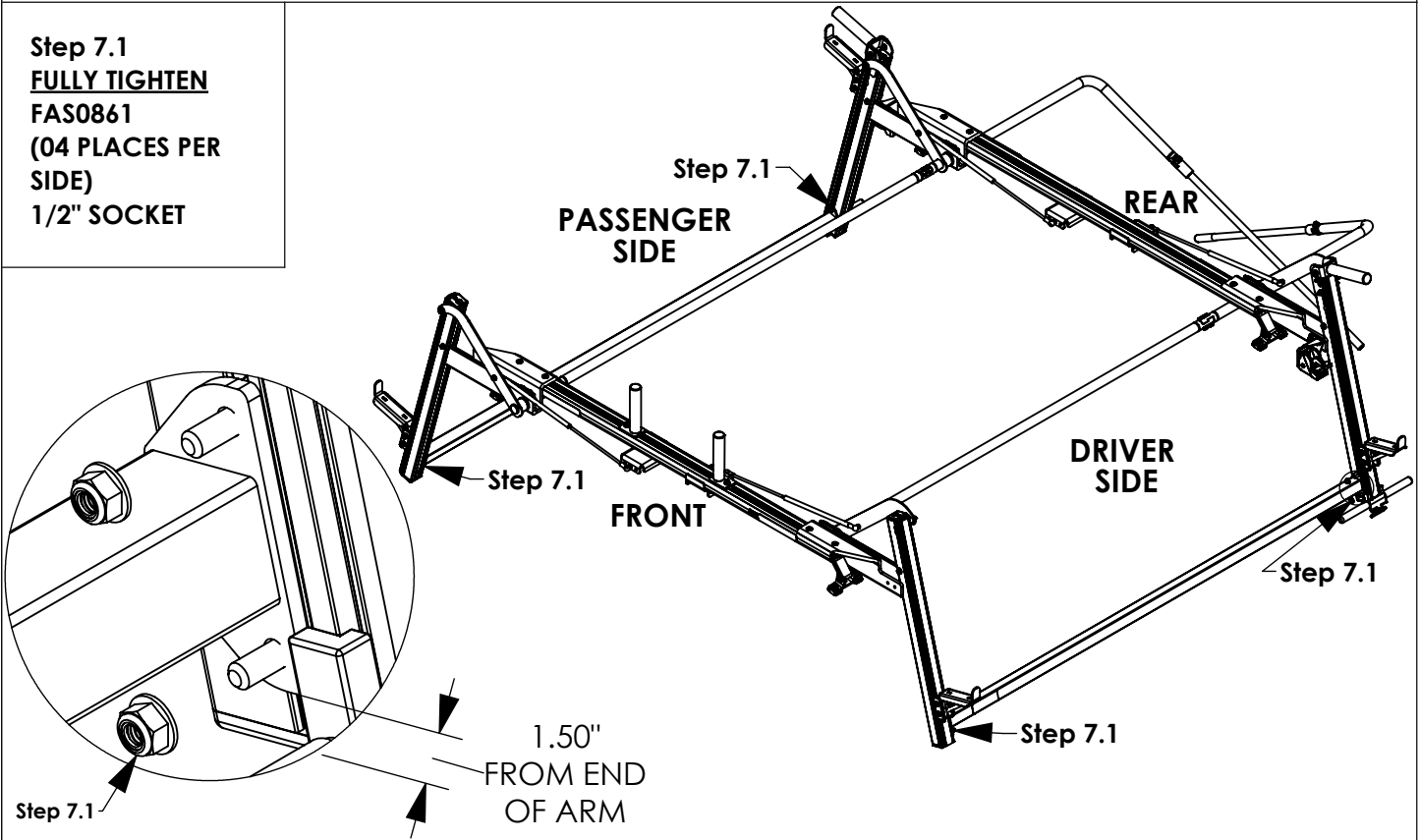
ORIENTATION OF DAMPER MATTERS!!!!

LARGE CYLINDER OF DAMPER ATTACHES TO ARM
SMALL ROD END ATTACHES TO DAMPER BRACKET



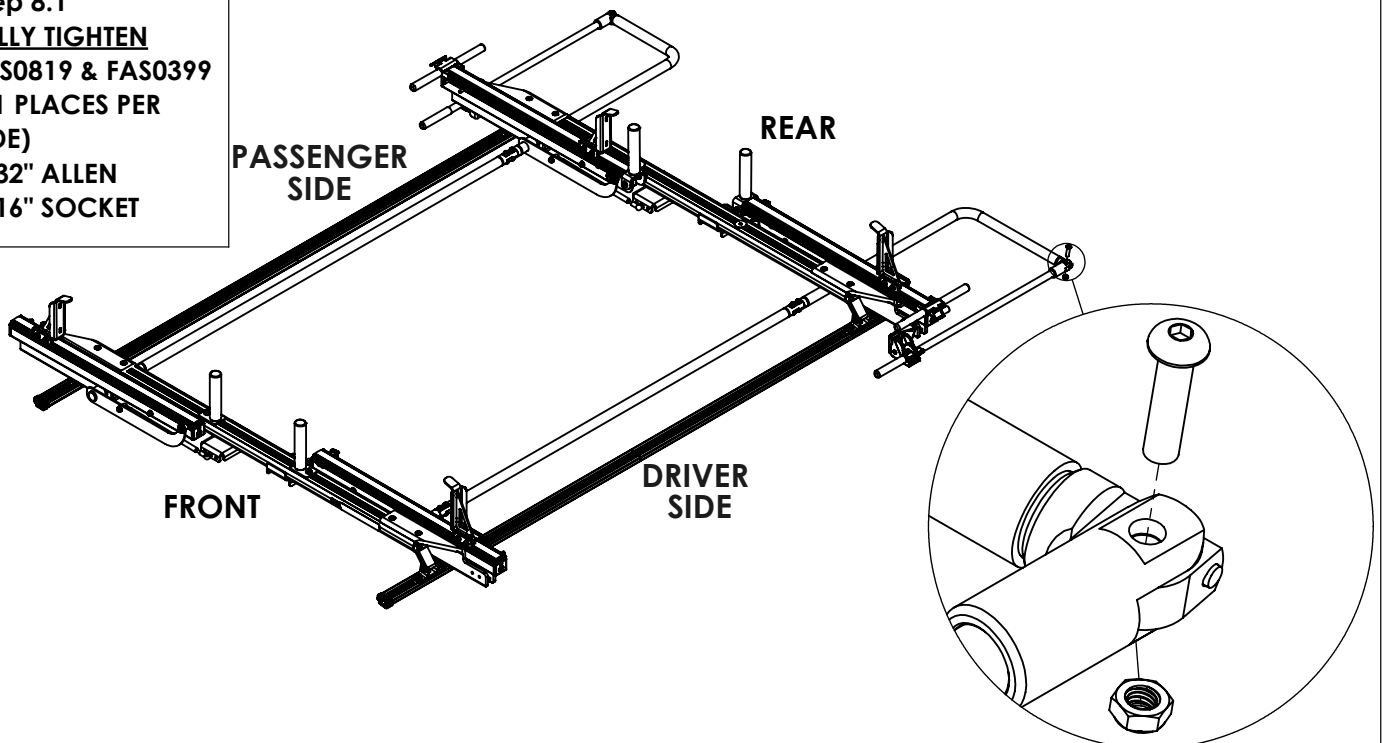
STEP 7 - WHILE RACK DEPLOYED INSTALL O.S. BAR

Step 7.1
FULLY TIGHTEN
FAS0861
(04 PLACES PER
SIDE)
1/2" SOCKET



STEP 8 - INSTALL DROP DOWN HANDLE

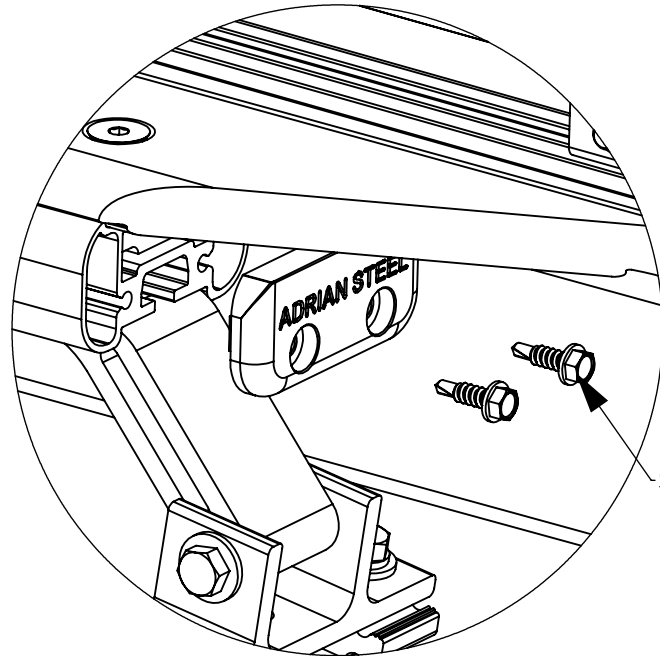
Step 8.1
FULLY TIGHTEN
FAS0819 & FAS0399
(01 PLACES PER
SIDE)
7/32" ALLEN
9/16" SOCKET



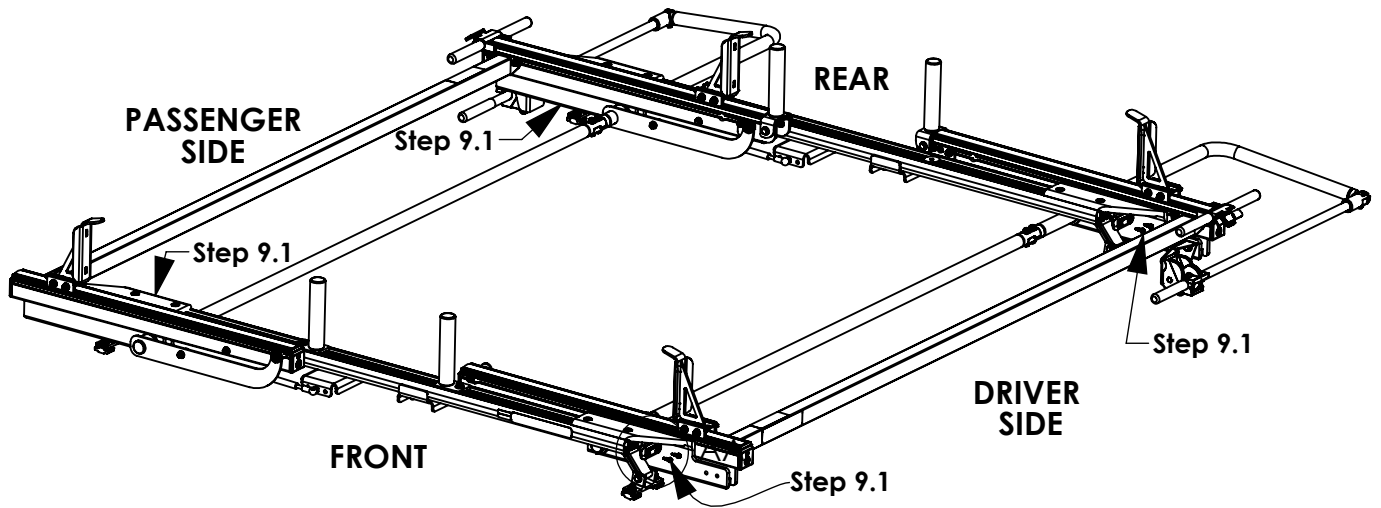
MAKE SURE ALL FASTENERS ARE TIGHTENED!!! INSTALLATION IS COMPLETE

STEP 9 - INSTALL CROSSBOW END CAPS

Step 9.1
FULLY TIGHTEN
(02) FAS0473, 65961
(02 PLACES PER SIDE)
3/8" SOCKET



Step 9.1



MAKE SURE ALL FASTENERS ARE TIGHTENED!!! INSTALLATION IS COMPLETE