

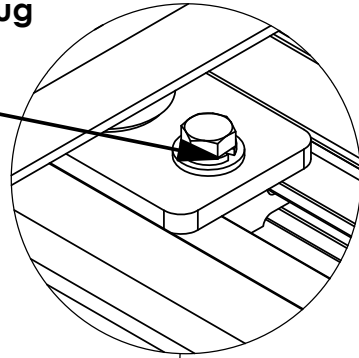
INSTR. NUMBER : **69485**

PG: **1** REV: **A**

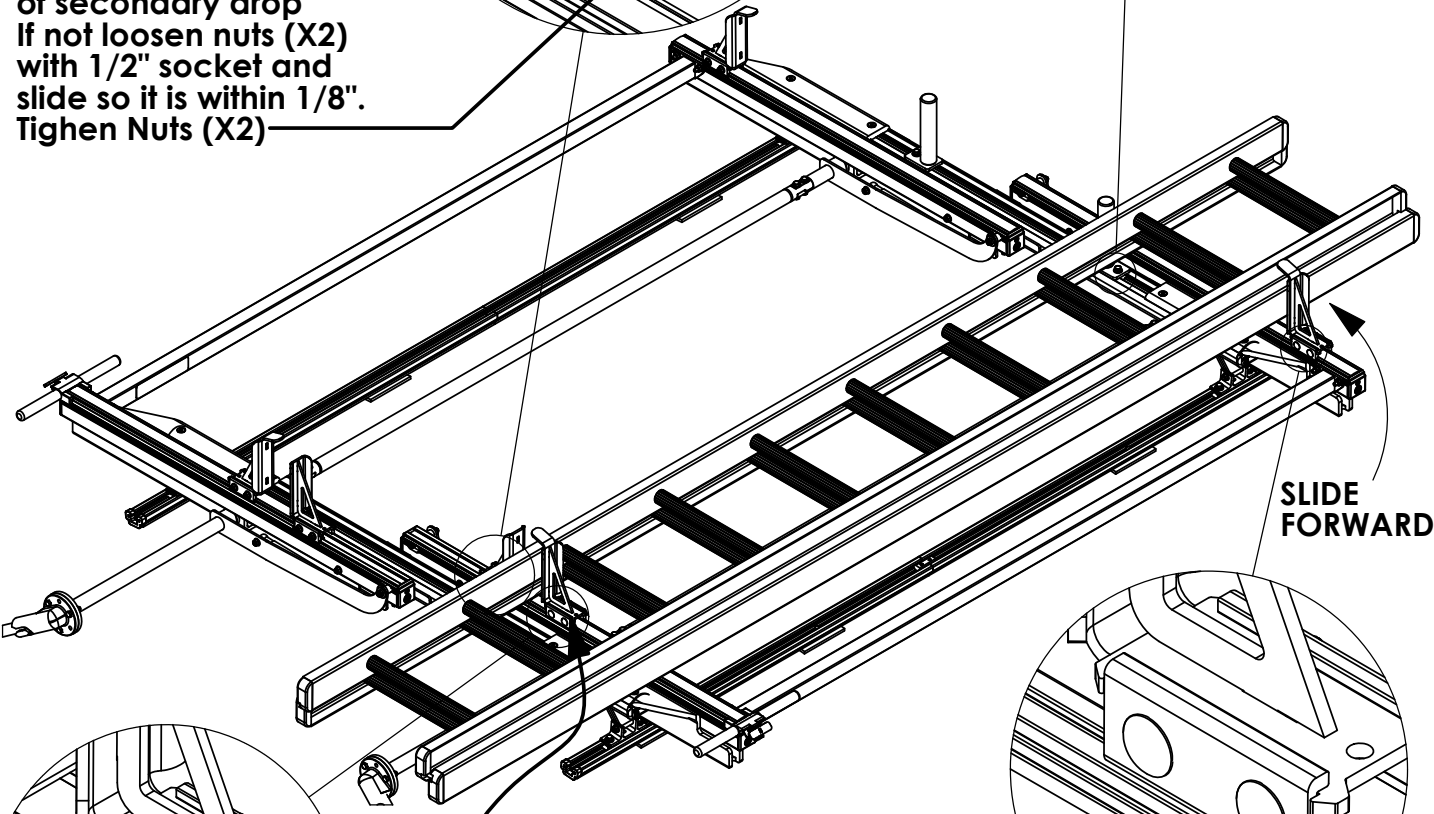
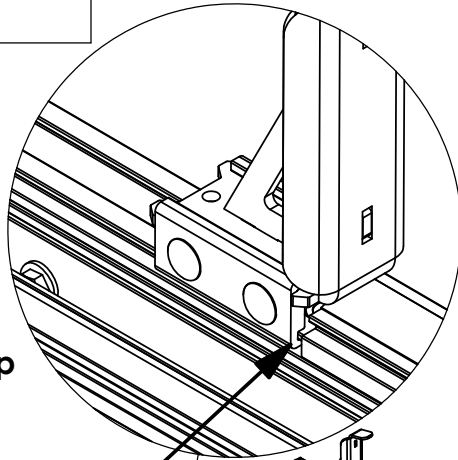
PART NUMBER **.Max Drop ProLift
High Roof**

PART •ProLift Adjustment Instructions -
DESC. •High Roof Vans

Step 3: With 1/2" Socket loosen nut, slide post so that it is snug against ladder. Tighten nut

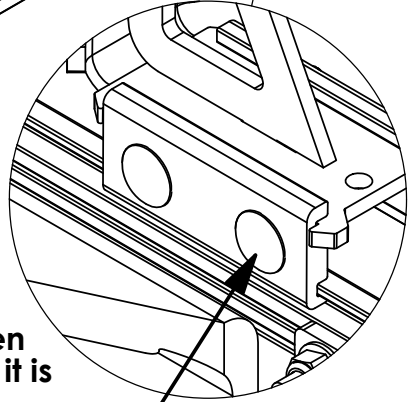


**Step 1: Make sure clamp is roughly 1/8" from end of secondary drop
If not loosen nuts (X2) with 1/2" socket and slide so it is within 1/8".
Tighten Nuts (X2)**



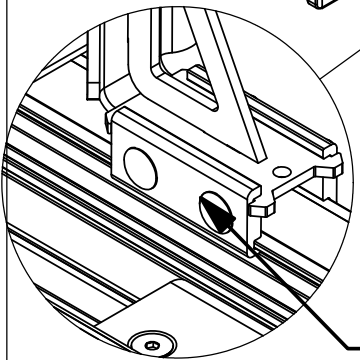
SLIDE FORWARD

Step 4: With 1/2" Socket loosen nuts (X2), slide clamp so that it is snug against ladder. Tighten nuts (X2).



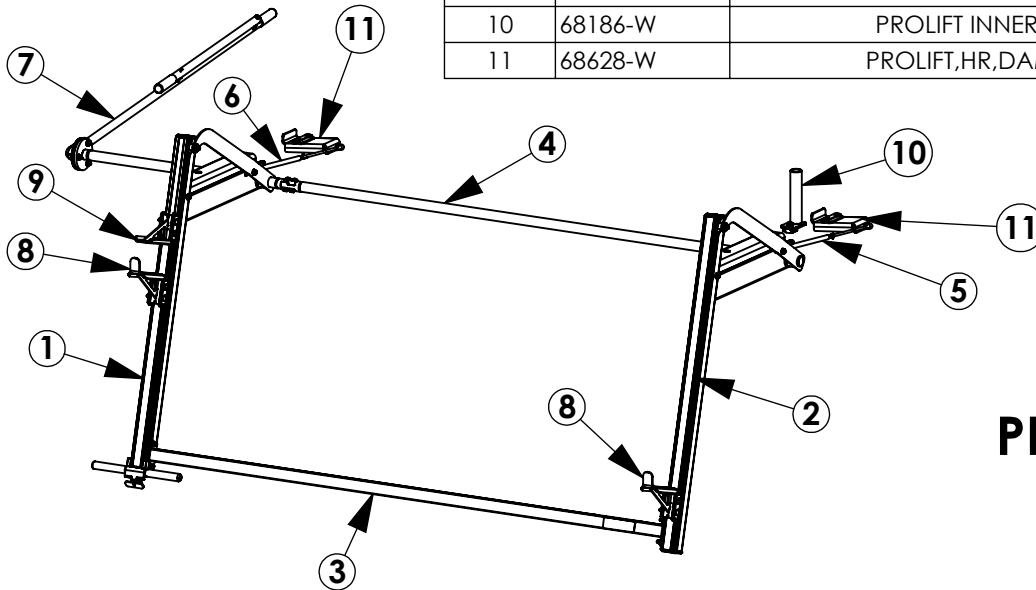
SLIDE FORWARD

Step 2: With 1/2" Socket loosen nuts (X2), slide clamp so that it is snug against ladder. Tighten nuts (X2).



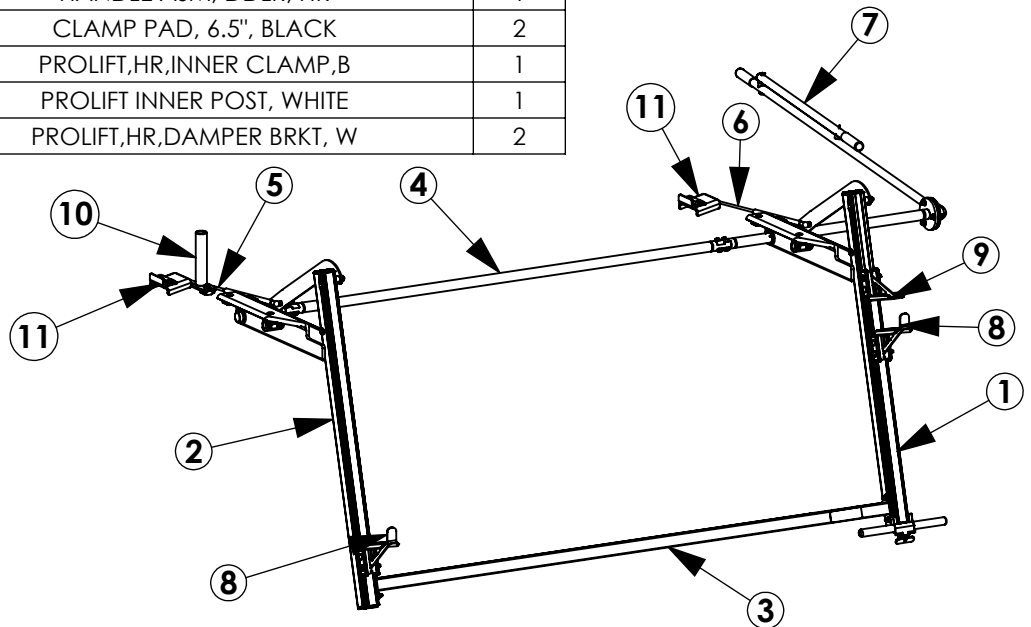
Once all brackets are adjusted operate rack to make sure clamps are not too tight

INSTR. NUMBER : 68627	PG: 1	REV: A	ITEM NO.	PART NUMBER	DESCRIPTION	QTY.
	PART NUMBER : PLMDPSH PART NUMBER : PLMDDSH			1	68400-W	PROLIFT,HR,DROP ASM,PS,RR, WHITE
2				68399-W	PROLIFT,HR,DROP ASM,PS,FR, WHITE	1
PART : PROLIFT,MAX,PS,HR DESC. : PROLIFT,MAX,DS,HR			3	66959-W	DROP DOWN OUTER BAR, WELDMENT, WHITE	1
			4	66572-B	DROP DOWN, CS CENTER DRIVELINE, BLK	1
			5	48265	DAMPER ASSEMBLY	1
			6	58239	COMPRESSION DAMPER	1
			7	56330	HANDLE ASM, DDLR, HR	1
			8	68037-B	CLAMP PAD, 6.5", BLACK	2
			9	68458-B	PROLIFT,HR,INNER CLAMP,B	1
			10	68186-W	PROLIFT INNER POST, WHITE	1
			11	68628-W	PROLIFT,HR,DAMPER BRKT, W	2



PLMDPSHW

ITEM NO.	PART NUMBER	DESCRIPTION	QTY.
1	68402-W	PROLIFT,HR,DROP ASM,DS,RR, WHITE	1
2	68401-W	PROLIFT,HR,DROP ASM,DS,FR, WHITE	1
3	66959-W	DROP DOWN OUTER BAR, WELDMENT, WHITE	1
4	66563-B	DROP DOWN, SS CENTER DRIVELINE, BLK	1
5	48265	DAMPER ASSEMBLY	1
6	58239	COMPRESSION DAMPER	1
7	56330	HANDLE ASM, DDLR, HR	1
8	68037-B	CLAMP PAD, 6.5", BLACK	2
9	68458-B	PROLIFT,HR,INNER CLAMP,B	1
10	68186-W	PROLIFT INNER POST, WHITE	1
11	68628-W	PROLIFT,HR,DAMPER BRKT, W	2



PLMDDSHW

GET TO KNOW THE VEHICLE - AT THE BEGINNING OF ANY INSTALLATION, CHECK THE LOCATION OF THE FUEL TANK, FUEL LINES, BRAKE LINES, HIGH VOLTAGE BATTERIES AND WIRING HARNESES TO AVOID INJURY OR PROPERTY DAMAGE FROM TOOL CONTACT.

SEAL ALL EXTERIOR HOLES - ALL INSTALLATION HOLES SHOULD BE SEALED WITH BUTYL TAPE OR SILICON TO PREVENT WATER AND EXHAUST GASES FROM ENTERING THE VEHICLE.

CONTROL DRILL DEPTH - TO AVOID DAMAGE TO THE VEHICLE, USE A DRILL STOP OR CLEARED STEP BIT WHEN DRILLING INSTALLATION HOLES.

ALWAYS ADD PRIMER - WHEN ADDING INSTALLATION HOLES BE SURE TO USE A SELF-ETCHING PRIMER TO PREVENT CORROSION, FASTENER FAILURE AND INJURY.

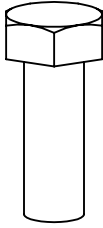
MOUNTING POINTS MUST HAVE METAL-TO-METAL CONTACT - USE PROVIDED MOUNTING SPACERS TO ACCOMMODATE FOR VEHICLE FEATURES, CARPET OR SUBFLOORS.

PROVIDE CLEARANCE FOR SPACERS - IF THE INSTALLATION VEHICLE CONTAINS A CARPET OR SUBFLOOR, USE A 1-3/16" DIAMETER CARPET CUTTER (P/N: 31183-0) AT ALL MOUNTING LOCATIONS TO OPEN UP ROOM FOR SPACERS.

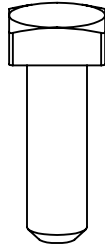
CHECK SPACER ORIENTATION - BE SURE THAT THE INDENT IN THE SPACER COVERS THE PLUSNUT HEAD; THIS ENSURES THE MOST METAL-TO-METAL CONTACT AND REDUCES VIBRATION.

PLUSNUT INSTALLATION - A PLUSNUT GUN IS RECOMMENDED FOR PLUSNUT INSTALLATION FOR ITS PRODUCTION SPEED. HOWEVER, A PLUSNUT SETTING TOOL CAN ALSO BE USED (P/N: 22200-0).

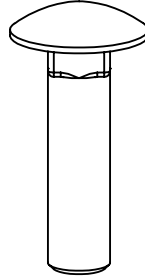
THRU-BOLT CLEARANCE - WHEN USING A THRU-BOLT AT ANY MOUNTING LOCATION, BE SURE THAT YOUR HOLE HAS 1/16" CLEARANCE.

FASTENERS USED

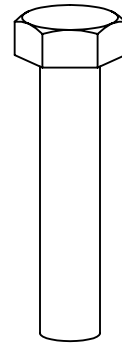
FAS0283
SCREW, HH
5/16-18X.875
QTY: 1



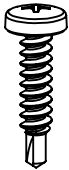
FAS0035
BOLT, SQ HD
5/16-18X1.0
QTY: 4



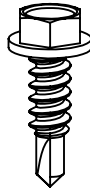
FAS0812
BOLT, CRG
5/16-18X1.25
QTY: 4



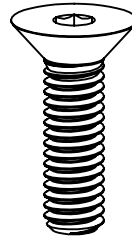
FAS0242
SCREW, HH
5/16-18X1.5
QTY: 4



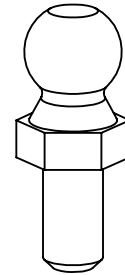
FAS0782
SCREW, THP TEK
#8X.75
QTY: 3



FAS0473
SCREW, HH TEK
#12X.75
QTY: 4



FAS0856
SCREW, FHH
5/16-18X1.125
QTY: 4



34927-0
SCREW, FHH
5/16-18X1.125
QTY: 2



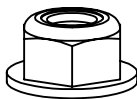
FAS0552
WASHER, FLAT
USS 5/16
QTY: 5



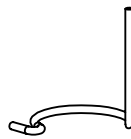
FAS0588
WASHER, LCK
SPLIT 5/16
QTY: 1



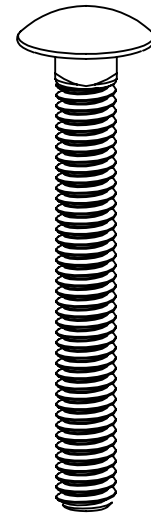
FAS0857
WASHER, LCK EXT
CS 5/16
QTY: 4



FAS0861
NUT, HEX NLK
FLG 5/16-18
QTY: 20

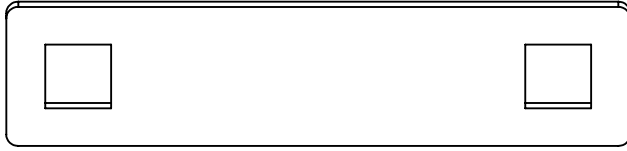


34928-0
CLIP, SPRING,
RETAINER 13MM
QTY: 4

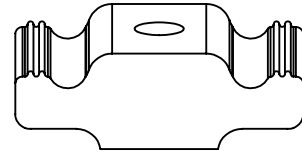


FAS0838
BOLT, CRG
5/16-18X2.5
QTY: 6

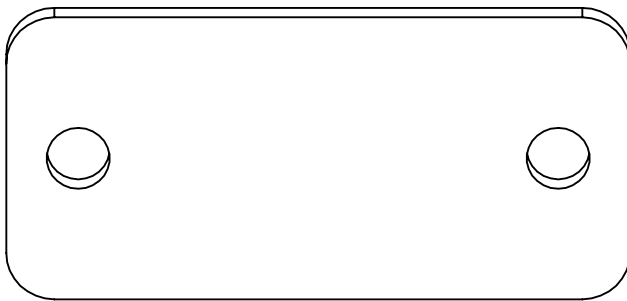
HARDWARE USED



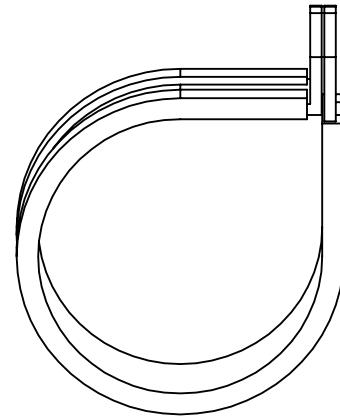
64830
REAR ROLLER,
BOLT PLATE
QTY: 2



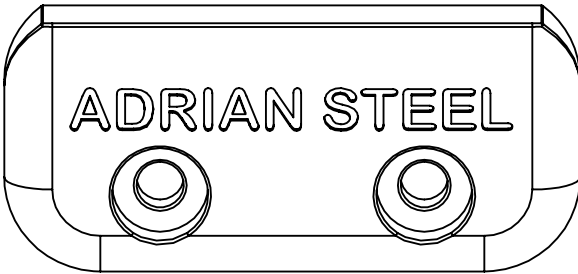
63490
RAIL SLIDE,
1"
QTY: 5



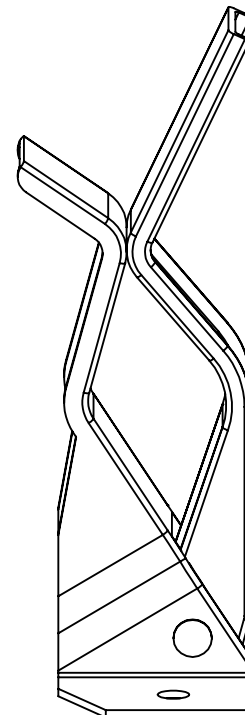
64831
REAR ROLLER,
SPACER
QTY: 2



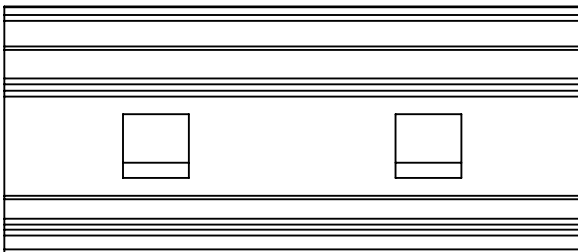
34921-0
CLAMP, CABLE
1-1/2"
QTY: 1



65961
DROP DOWN
END CAP
QTY: 2



34922-0
HOLDER, TOOL
QTY: 1



65963-W
STOP CLAMP
QTY: 6

BEGIN ASSEMBLY

STEP 1 - INSTALL CLAMPS AND HARDWARE ON DROP DOWN CARTRIDGES

PASSENGER SIDE CARTRIDGES

REAR SUB-ASSEMBLY

FRONT SUB-ASSEMBLY

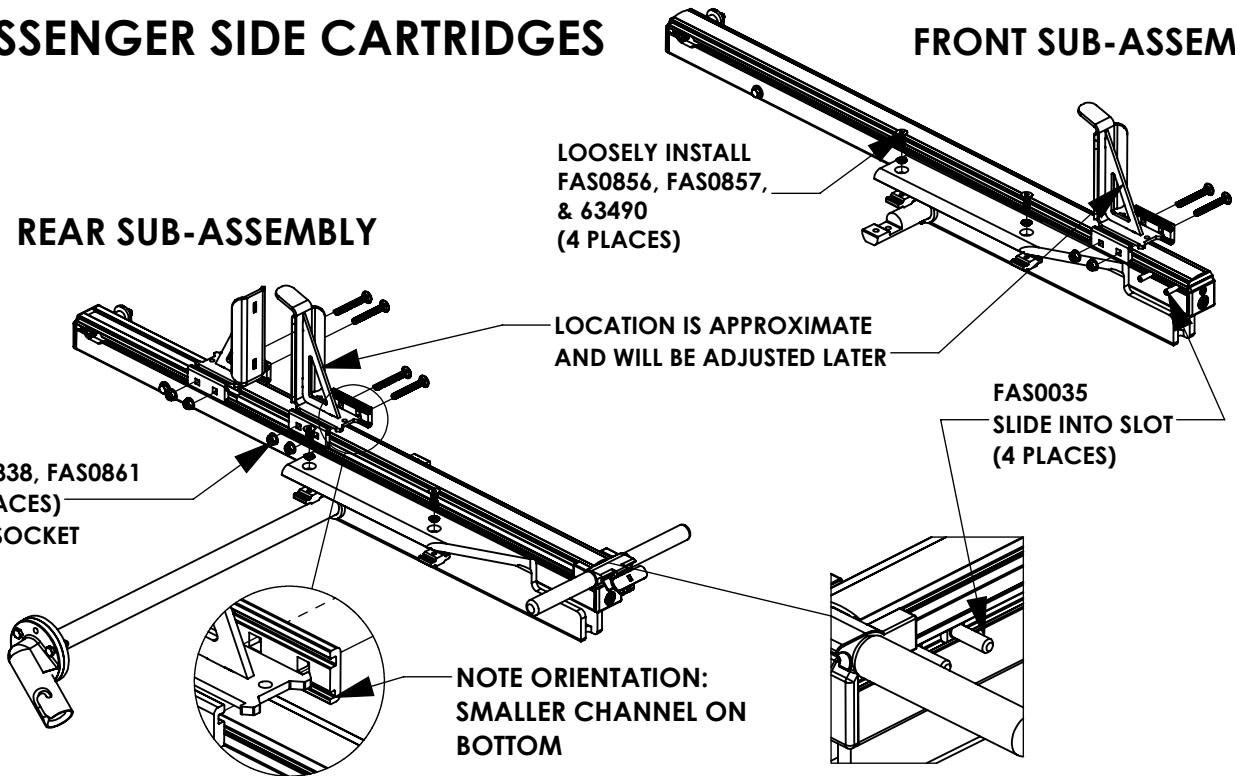
LOOSELY INSTALL
FAS0856, FAS0857,
& 63490
(4 PLACES)

LOCATION IS APPROXIMATE
AND WILL BE ADJUSTED LATER

FAS0035
SLIDE INTO SLOT
(4 PLACES)

FAS0838, FAS0861
(6 PLACES)
1/2" SOCKET

NOTE ORIENTATION:
SMALLER CHANNEL ON
BOTTOM



DRIVER SIDE CARTRIDGES

REAR SUB-ASSEMBLY

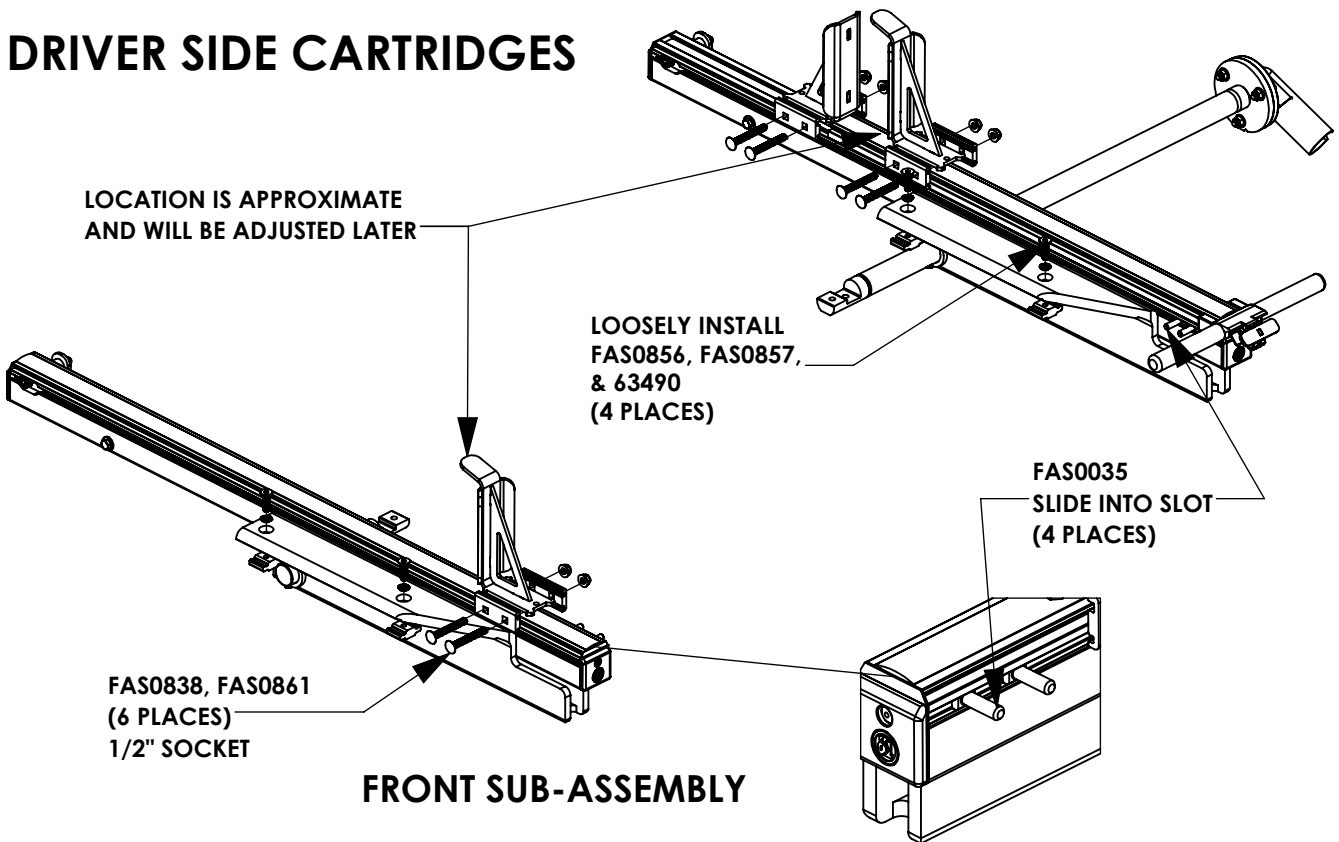
LOCATION IS APPROXIMATE
AND WILL BE ADJUSTED LATER

LOOSELY INSTALL
FAS0856, FAS0857,
& 63490
(4 PLACES)

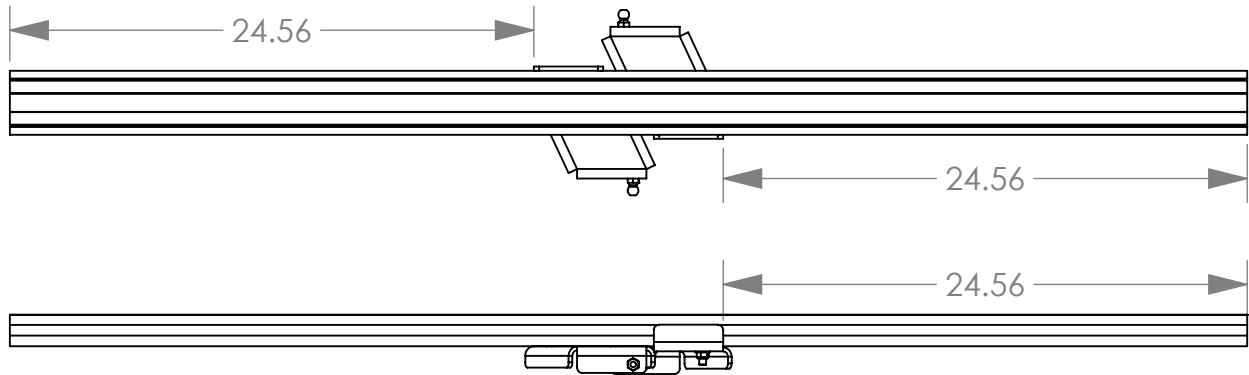
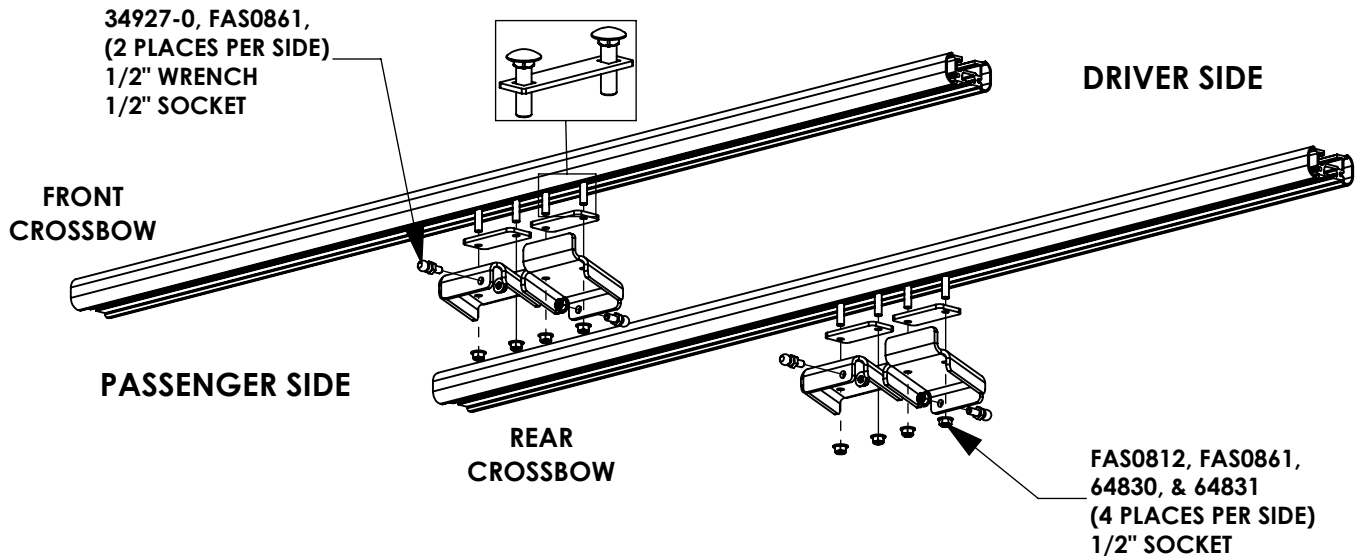
FAS0035
SLIDE INTO SLOT
(4 PLACES)

FAS0838, FAS0861
(6 PLACES)
1/2" SOCKET

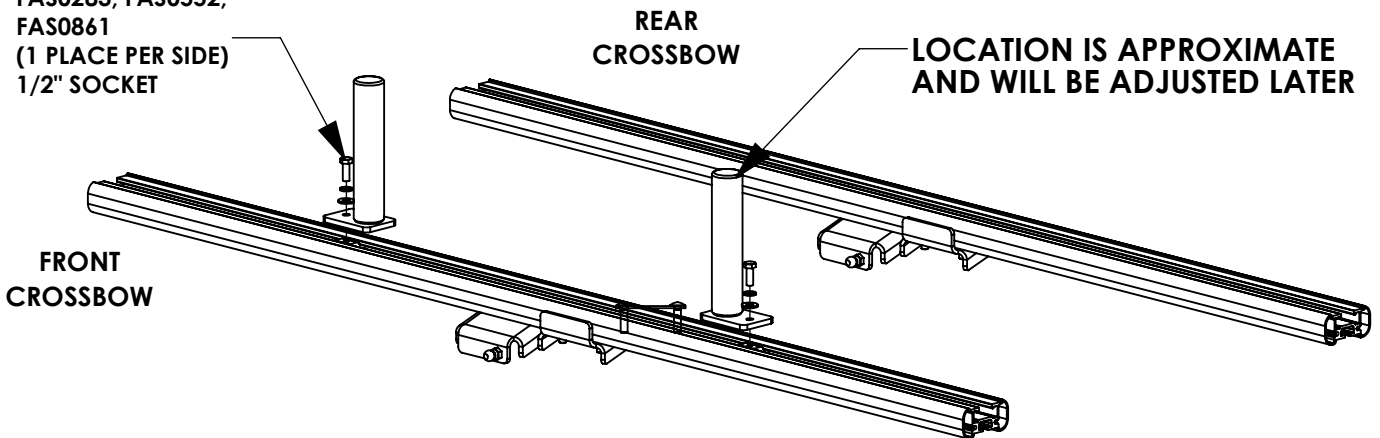
FRONT SUB-ASSEMBLY



STEP 2 - MOUNT DAMPER BRACKETS AND INNER STOPS TO CROSSBOWS



FAS0283, FAS0552,
FAS0861
(1 PLACE PER SIDE)
1/2" SOCKET



STEP 3 - INSTALL CARTRIDGES ON CROSSBOWS

FULLY TIGHTEN
FAS0856, FAS0857,
& 63490
(4 PLACES PER SIDE)
3/16" ALLEN

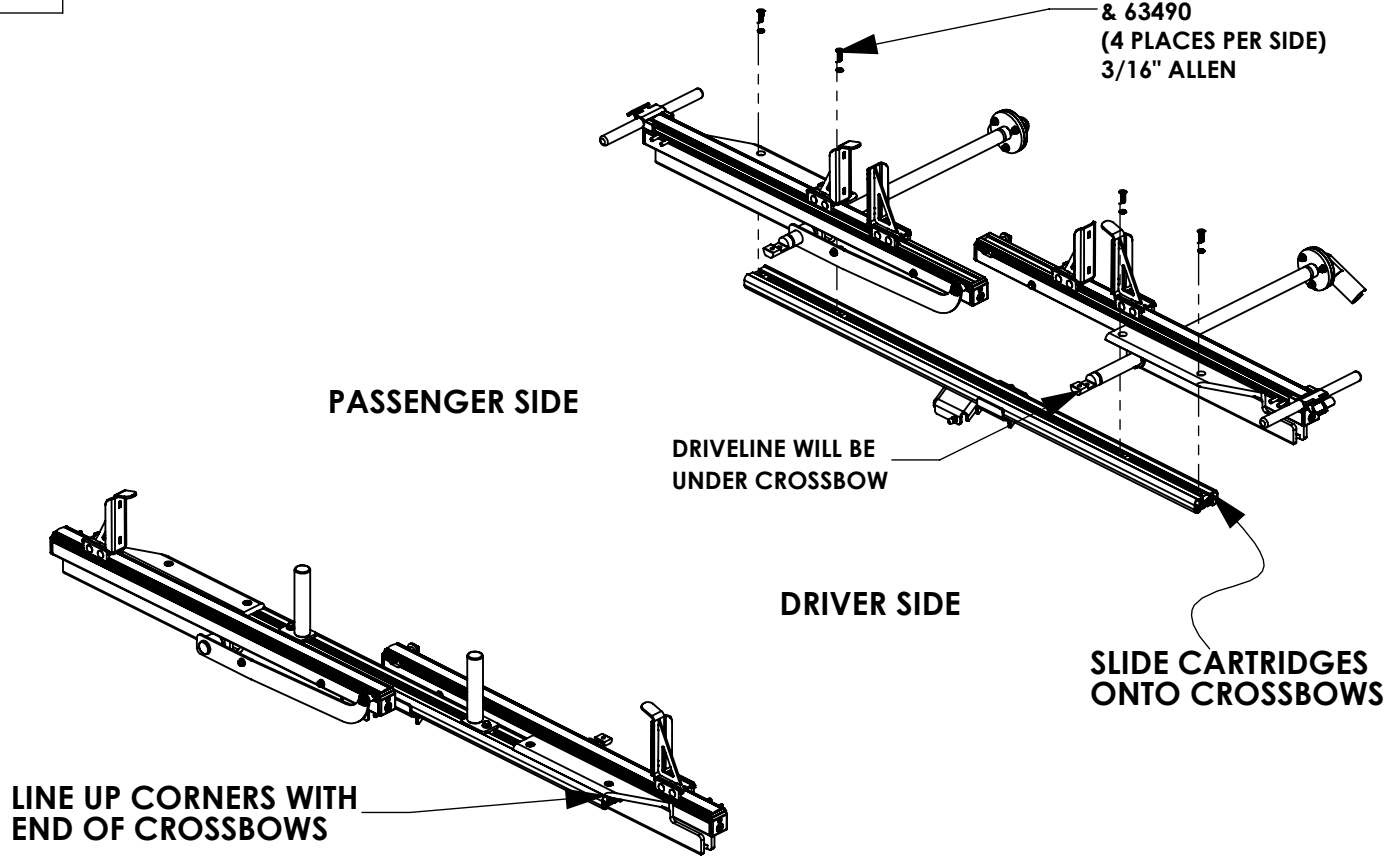
PASSENGER SIDE

DRIVELINE WILL BE
UNDER CROSSBOW

DRIVER SIDE

SLIDE CARTRIDGES
ONTO CROSSBOWS

LINE UP CORNERS WITH
END OF CROSSBOWS



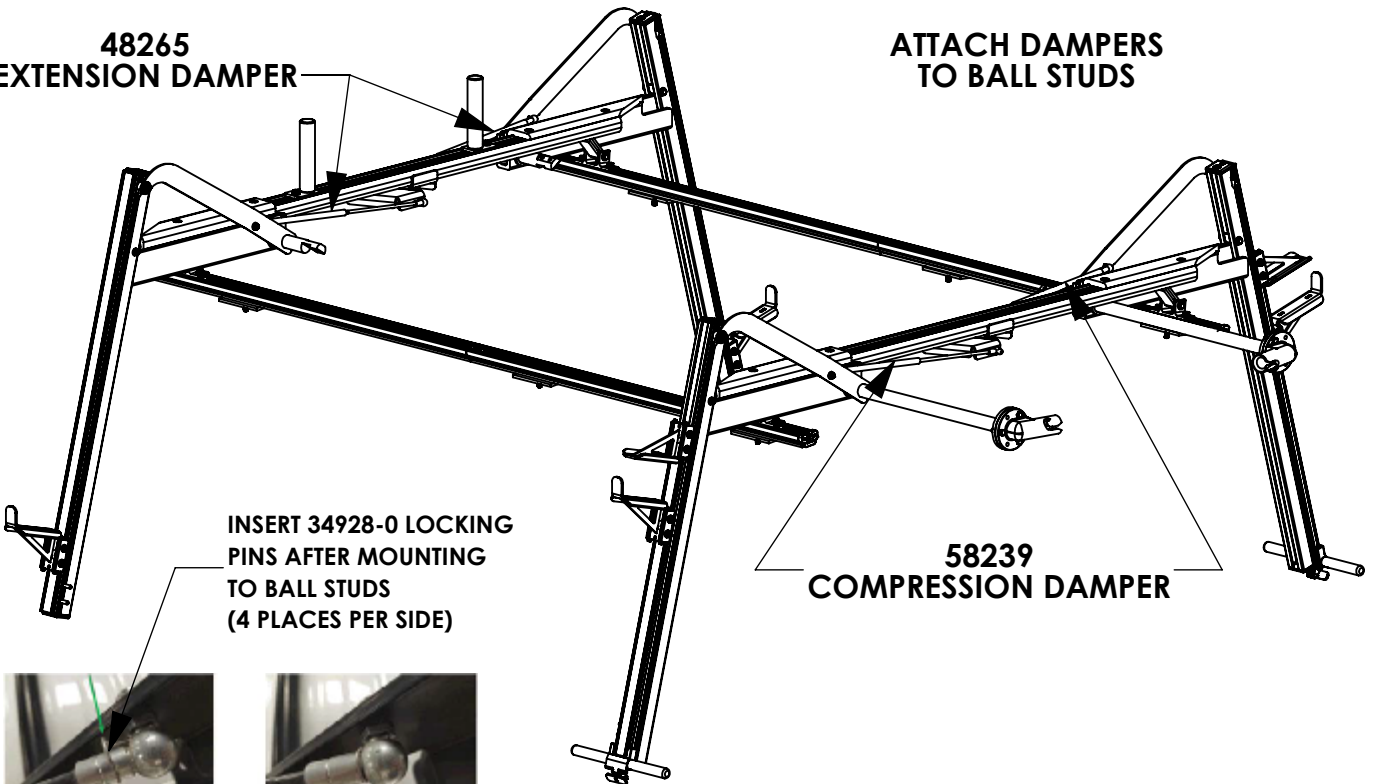
STEP 4 - INSTALL DAMPERS

48265
EXTENSION DAMPER

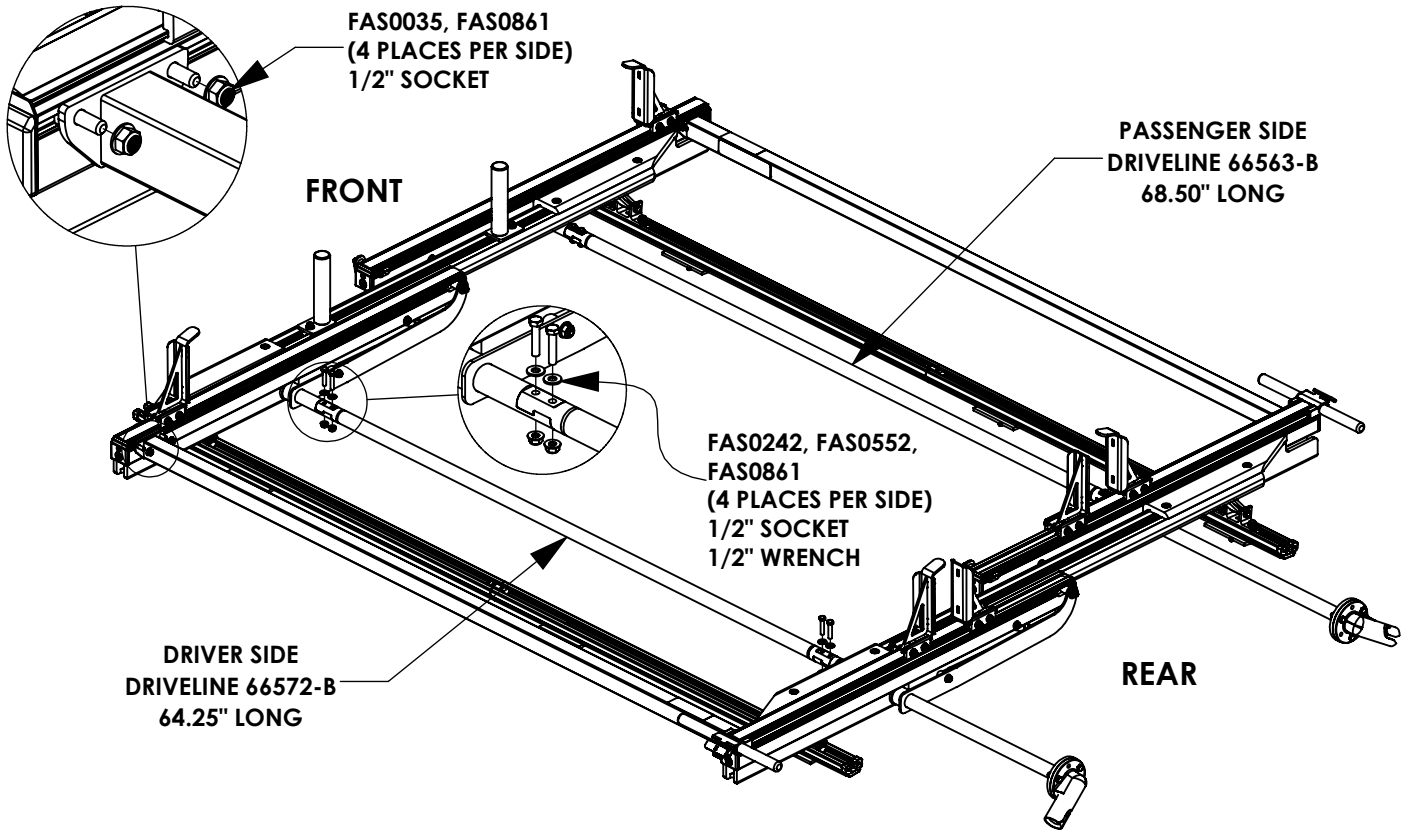
ATTACH DAMPERS
TO BALL STUDS

INSERT 34928-0 LOCKING
PINS AFTER MOUNTING
TO BALL STUDS
(4 PLACES PER SIDE)

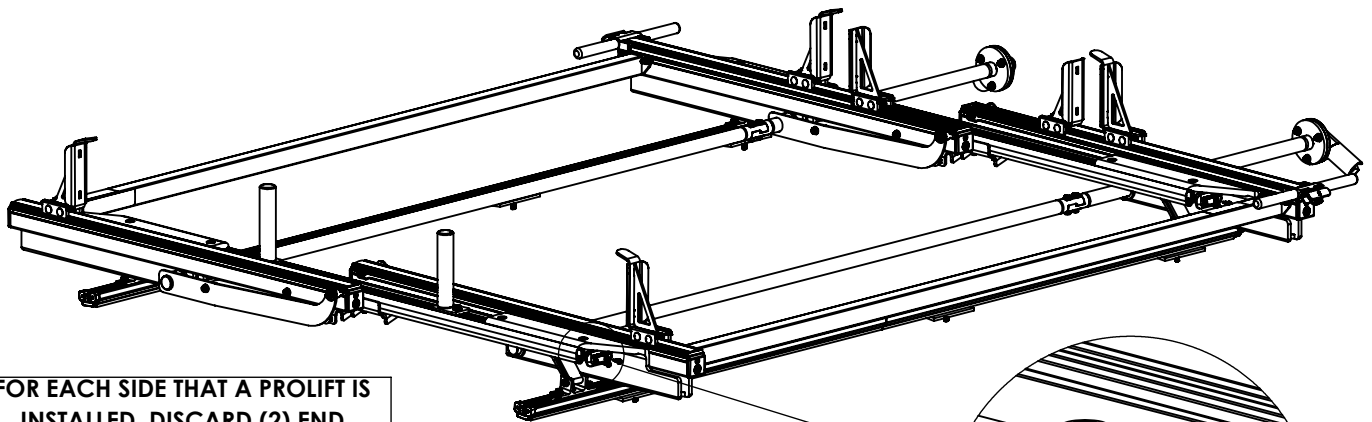
58239
COMPRESSION DAMPER



STEP 5 - INSTALL DRIVELINE AND O.S. BAR



STEP 6 - INSTALL CROSSBOW END CAPS

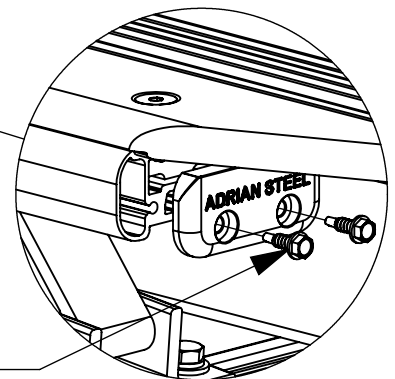


FOR EACH SIDE THAT A PROLIFT IS
INSTALLED, DISCARD (2) END
CAPS THAT ARE INCLUDED WITH
THE CROSSBOW KIT.

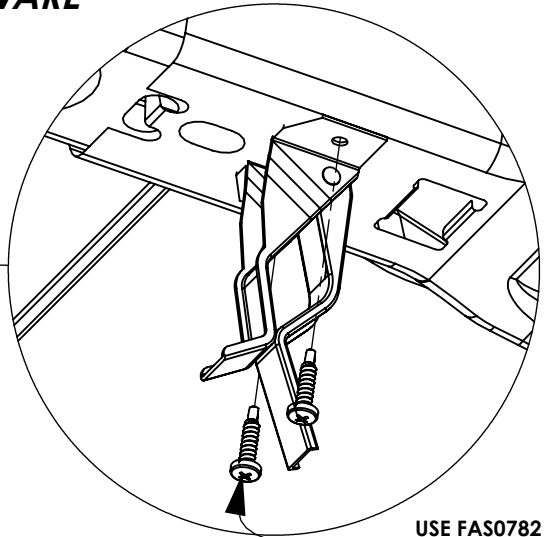
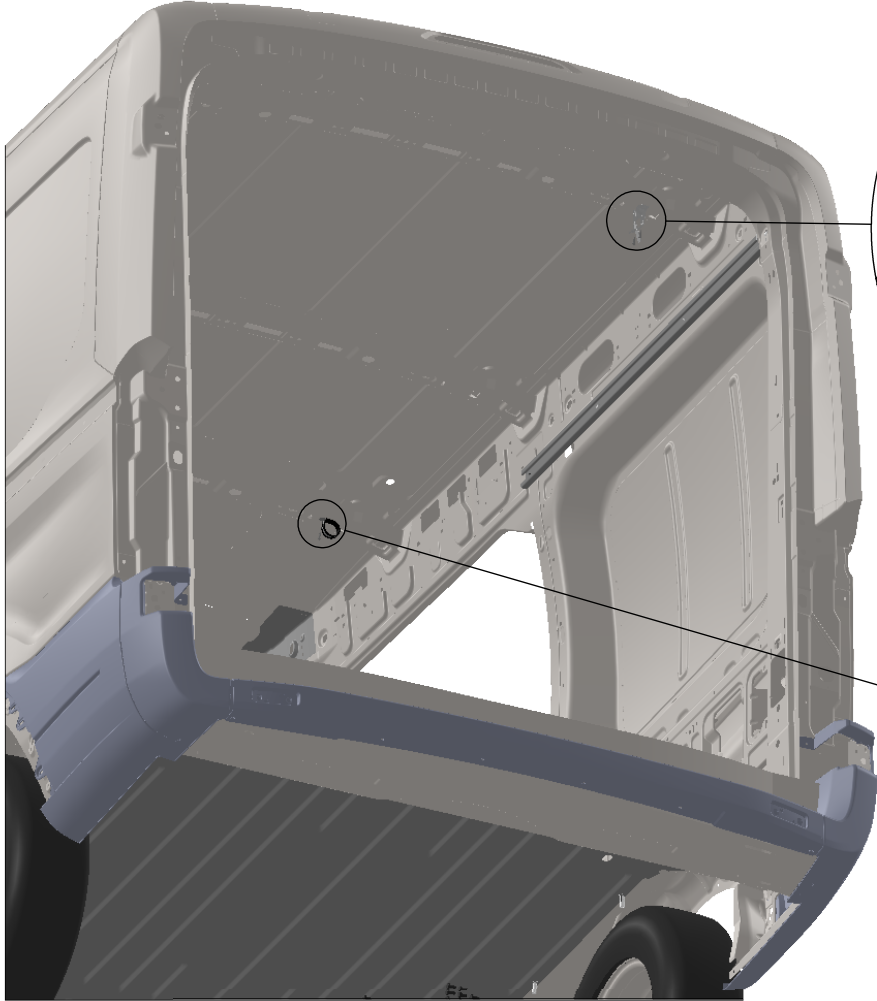
SHOWN BELOW:



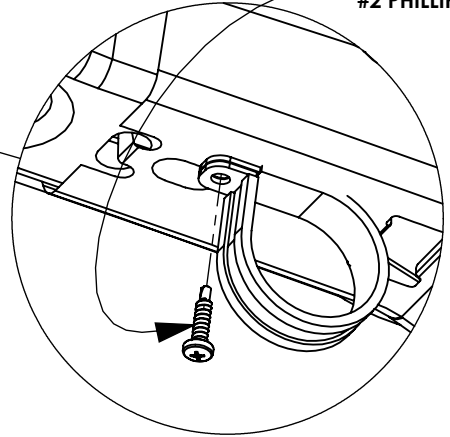
65961, (2) FAS0473
(2 PLACES PER SIDE)
5/16" SOCKET



STEP 7 - INSTALL HANDLE STORAGE HARDWARE



USE FAS0782
(3 PLACES)
#2 PHILLIPS



STEP 8 - CLIP HANDLE INTO STORAGE CLIP

