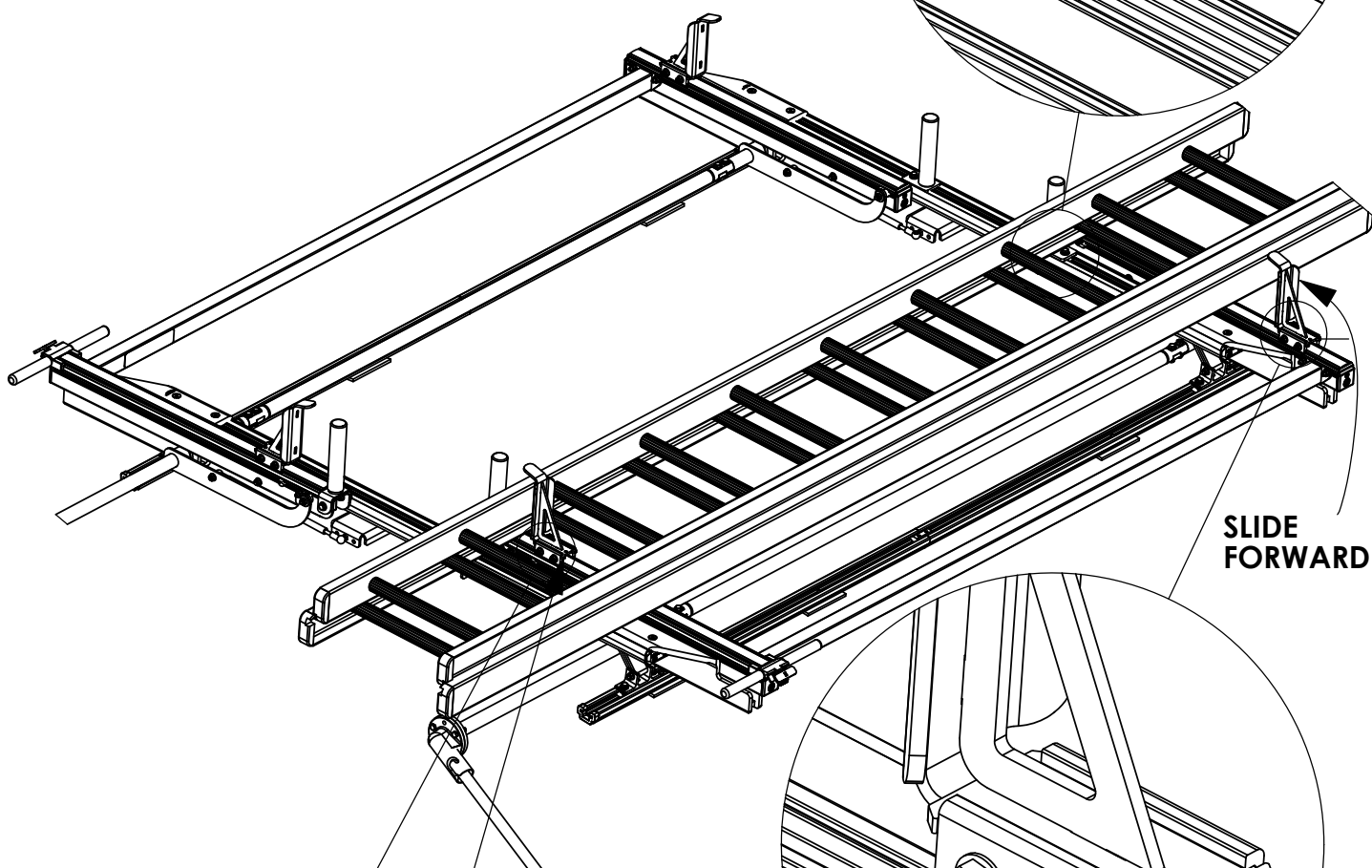
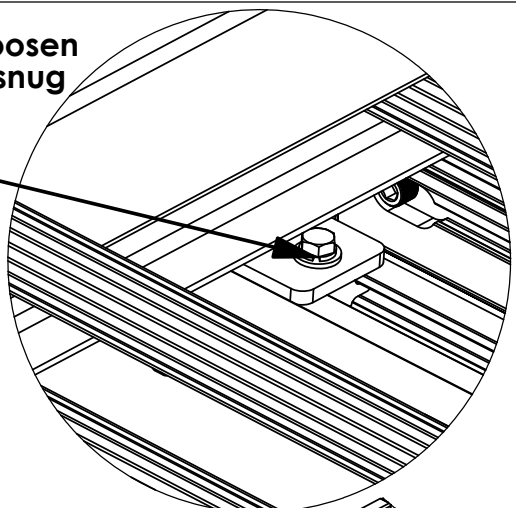


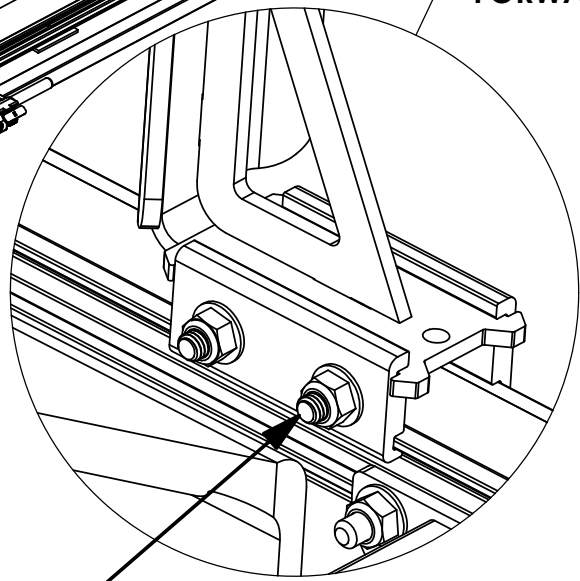
INSTR. NUMBER : <b>69483</b>	PG: <b>1</b>	REV: <b>A</b>
PART NUMBER • <b>Max Drop ProLift - Low &amp; Mid-Roof</b>		
PART • ProLift Low & Mid-Roof DESC. • Adjustment Instructions		

**Step 2: With 1/2" Socket loosen nut, slide post so that it is snug against ladder  
Tighten nut**

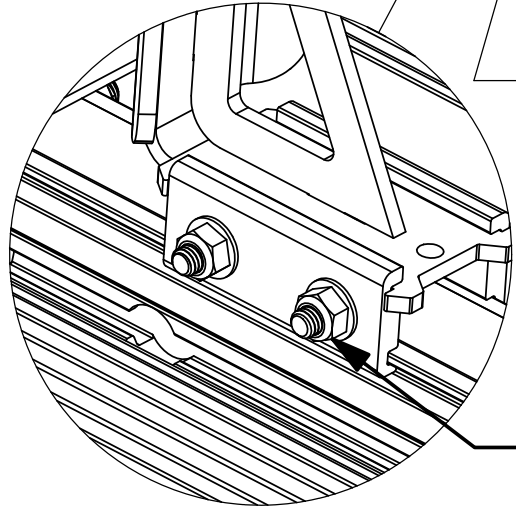


**SLIDE FORWARD**

**SLIDE FORWARD**



**Step 3: With 1/2" Socket loosen nuts (x2) slide clamp so that it is snug against outside of ladder  
Tighten nuts (X2)**

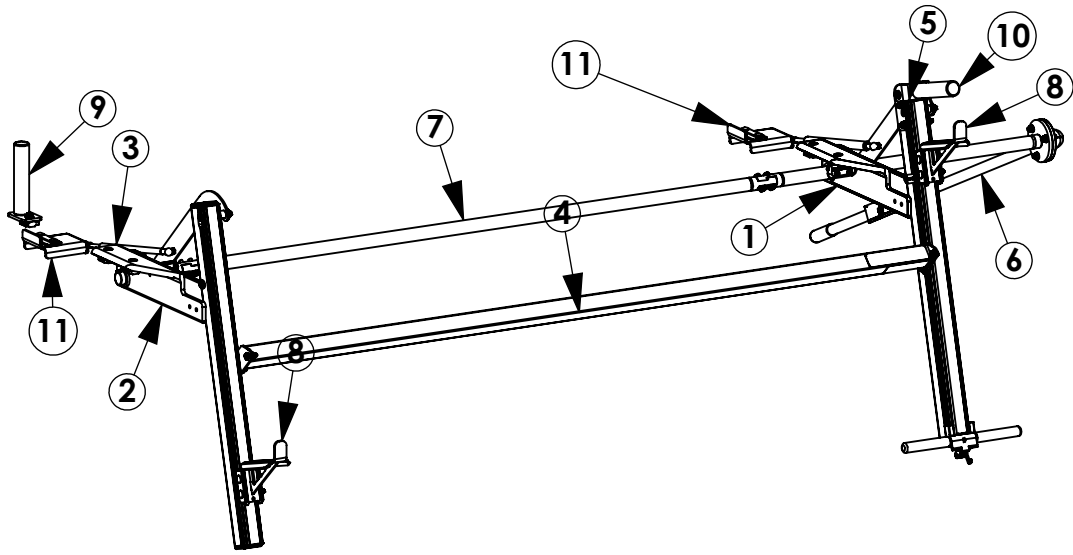


**Step 1: With 1/2" Socket loosen nuts (x2) slide clamp so that it is snug against ladder  
Tighten nuts (X2)**

**Once all brackets are adjusted operate rack to make sure clamps are not too tight**

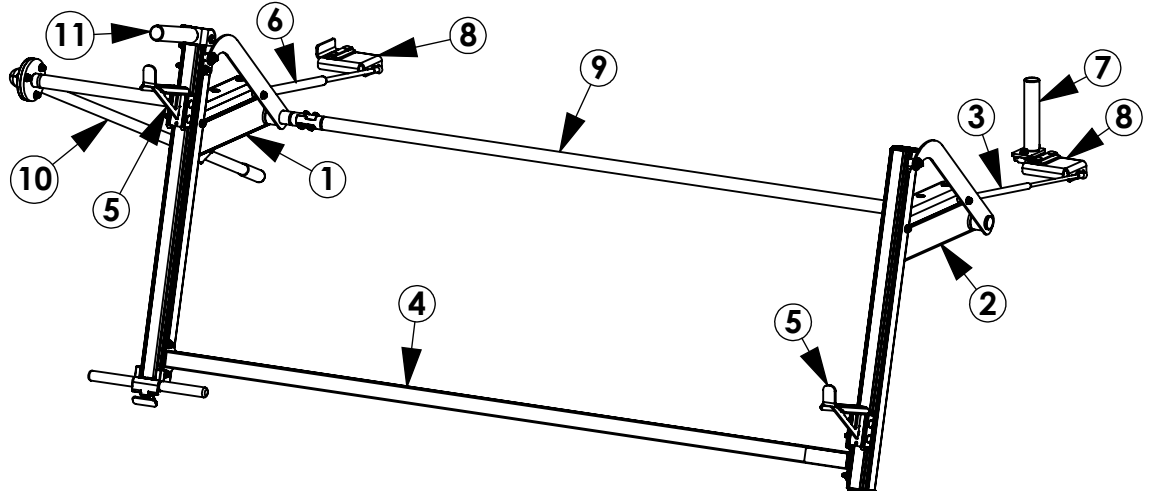
INSTR. NUMBER : <b>68499</b>	PG: <b>1</b>	REV: <b>B</b>	ITEM NO.	PART NUMBER	DESCRIPTION	QTY.
	PART NUMBER : <b>PLMDPSM &amp; PLMDDSM</b>		1	68190-W	MAX DROP ARM ASM,MR,DS, WHITE	1
			2	68013-W	DROP DOWN FRONT ARM ASM DS, WHITE	1
PART DESC. : PROLIFT,MAX,PS,MR & PROLIFT,MAX,DS,MR		3		48265	DAMPER ASSEMBLY	1
		4		66959-W	DROP DOWN OUTER BAR, WELDMENT, WHITE	1
		5		58239	COMPRESSION DAMPER	1
		6		51989	HANDLE ASM, NO PAINT	1
		7		66563-B	DROP DOWN, SS CENTER DRIVELINE, BLK	1
		8		68037-B	CLAMP PAD, 6.5", BLACK	2
		9		68186-W	PROLIFT INNER POST, WHITE	1
		10		68196-W	PROLIFT MAX DROP STOP, WHITE	1
		11		68045-W	PROLIFT DAMPER MOUNT, WHITE	2

**PLMDDSMW**



ITEM NO.	PART NUMBER	DESCRIPTION	QTY.
1	68189	MAX DROP CARTRIDGE, LR PS	1
2	68031-W	DROP DOWN FRONT ARM ASSM PS, WHITE	1
3	48265	DAMPER ASSEMBLY	1
4	66959-W	DROP DOWN OUTER BAR, WELDMENT, WHITE	1
5	68037-B	CLAMP PAD, 6.5", BLACK	2
6	58239	COMPRESSION DAMPER	1
7	68186-W	PROLIFT INNER POST, WHITE	1
8	68045-W	PROLIFT DAMPER MOUNT, WHITE	2
9	66572-B	DROP DOWN, CS CENTER DRIVELINE, BLK	1
10	51989	HANDLE ASM, NO PAINT	1
11	68196-W	PROLIFT MAX DROP STOP, WHITE	1

**PLMDPSMW**



**GET TO KNOW THE VEHICLE** - AT THE BEGINNING OF ANY INSTALLATION, CHECK THE LOCATION OF THE FUEL TANK, FUEL LINES, BRAKE LINES, HIGH VOLTAGE BATTERIES AND WIRING HARNESSSES TO AVOID INJURY OR PROPERTY DAMAGE FROM TOOL CONTACT.

**SEAL ALL EXTERIOR HOLES** - ALL INSTALLATION HOLES SHOULD BE SEALED WITH BUTYL TAPE OR SILICON TO PREVENT WATER AND EXHAUST GASES FROM ENTERING THE VEHICLE.

**CONTROL DRILL DEPTH** - TO AVOID DAMAGE TO THE VEHICLE, USE A DRILL STOP OR CLEARED STEP BIT WHEN DRILLING INSTALLATION HOLES.

**ALWAYS ADD PRIMER** - WHEN ADDING INSTALLATION HOLES BE SURE TO USE A SELF-ETCHING PRIMER TO PREVENT CORROSION, FASTENER FAILURE AND INJURY.

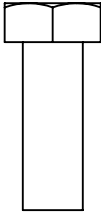
**MOUNTING POINTS MUST HAVE METAL-TO-METAL CONTACT** - USE PROVIDED MOUNTING SPACERS TO ACCOMMODATE FOR VEHICLE FEATURES, CARPET OR SUBFLOORS.

**PROVIDE CLEARANCE FOR SPACERS** - IF THE INSTALLATION VEHICLE CONTAINS A CARPET OR SUBFLOOR, USE A 1-3/16" DIAMETER CARPET CUTTER (P/N: 31183-0) AT ALL MOUNTING LOCATIONS TO OPEN UP ROOM FOR SPACERS.

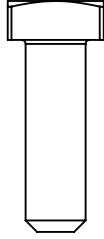
**CHECK SPACER ORIENTATION** - BE SURE THAT THE INDENT IN THE SPACER COVERS THE PLUSNUT HEAD; THIS ENSURES THE MOST METAL-TO-METAL CONTACT AND REDUCES VIBRATION.

**PLUSNUT INSTALLATION** - A PLUSNUT GUN IS RECOMMENDED FOR PLUSNUT INSTALLATION FOR ITS PRODUCTION SPEED. HOWEVER, A PLUSNUT SETTING TOOL CAN ALSO BE USED (P/N: 22200-0).

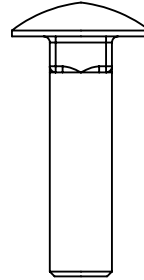
**THRU-BOLT CLEARANCE** - WHEN USING A THRU-BOLT AT ANY MOUNTING LOCATION, BE SURE THAT YOUR HOLE HAS 1/16" CLEARANCE.

**FASTENERS AND HARDWARE USED**

FAS0283  
SCREW,HH  
5/16-18X.875  
QTY: 3



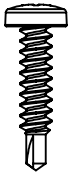
FAS0035  
BOLT,SQ HD  
5/16-18X1.0  
QTY: 4



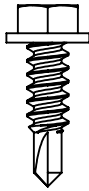
FAS0812  
BOLT,CRG  
5/16-18X1.25  
QTY: 4



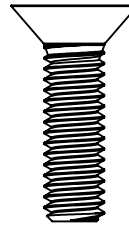
FAS0242  
SCREW,HH  
5/16-18X1.5  
QTY: 4



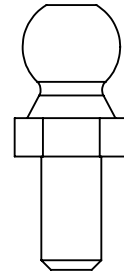
FAS0782  
SCREW,THP TEK  
#8X.75  
QTY: 3



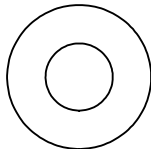
FAS0473  
SCREW,HH TEK  
#12X.75  
QTY: 4



FAS0856  
SCREW,FHH  
5/16-18X1.13  
QTY: 4



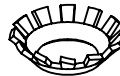
34927-0  
BALL STUD  
13MM X 5/16-18  
QTY: 2



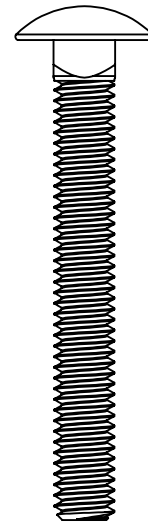
FAS0552  
WASHER,FLAT  
USS 5/16  
QTY: 7



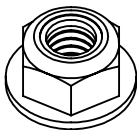
FAS0588  
WASHER,LCK  
SPLIT 5/16  
QTY: 1



FAS0857  
WASHER,LCK EXT  
CS 5/16  
QTY: 04



FAS0838  
BOLT,CRG  
5/16-18X2.5  
QTY: 04

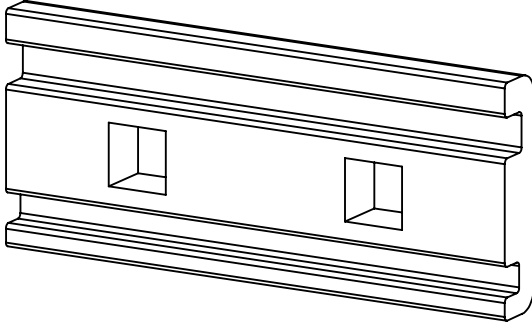


FAS0861  
NUT,HEX NLK  
FLG 5/16-18  
QTY: 20

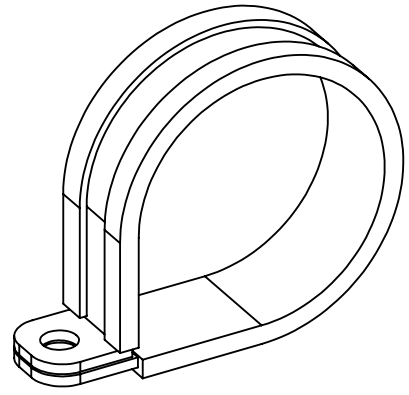


34928-0  
CLIP,SPRING,  
RETAINER,13MM  
QTY: 4

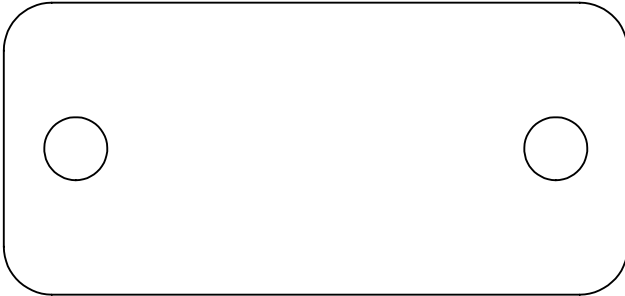
**FASTENERS AND HARDWARE USED**



65963  
REAR ROLLER, SPACER  
QTY: 4



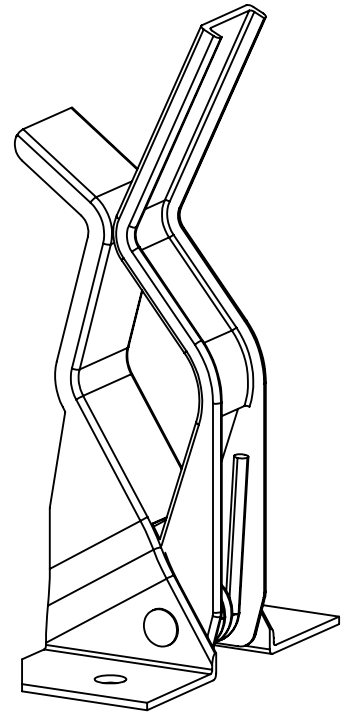
34921-0  
CLAMP, CABLE 1-1/2"  
QTY: 1



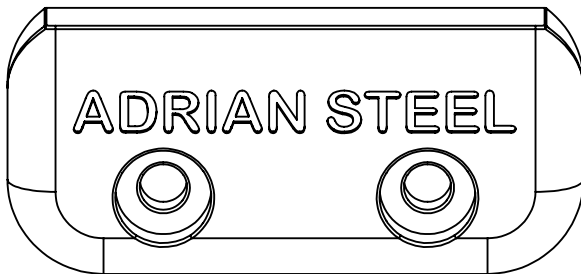
64831  
REAR ROLLER, SPACER  
QTY: 02



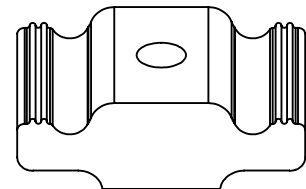
64830  
REAR ROLLER, BOLT PLATE  
QTY: 2



34922-0  
HOLDER, TOOL  
QTY: 1



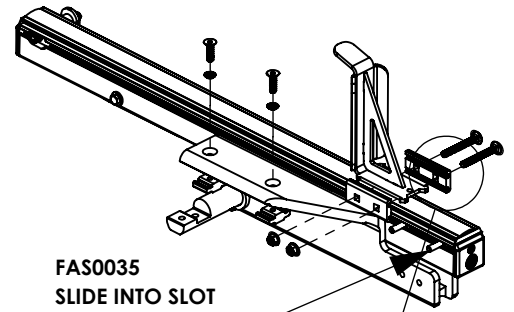
65961  
DROP DOWN END CAP  
QTY: 2



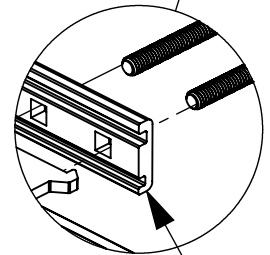
63490  
RAIL SLIDE, 1"  
QTY: 5

# PASSENGER SIDE CARTRIDGES

## FRONT SUB-ASSEMBLY



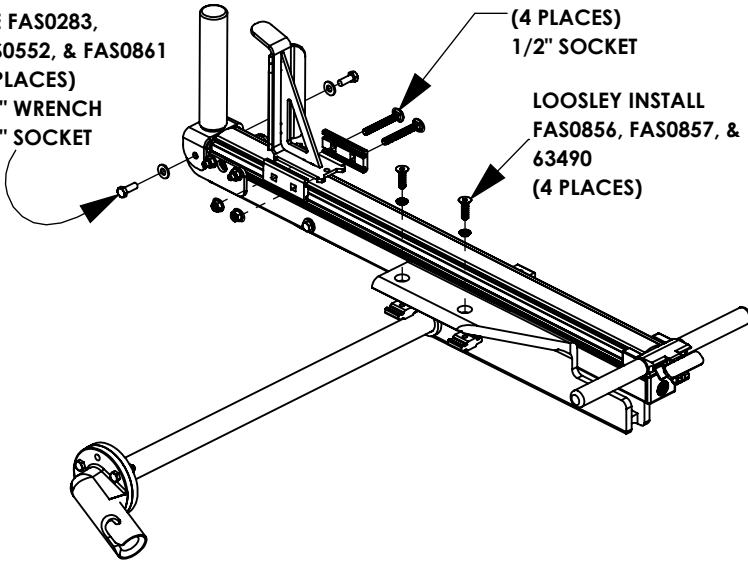
FAS0035  
SLIDE INTO SLOT  
(02 PLACES)



**NOTE ORIENTATION:  
SMALLER CHANNEL  
ON BOTTOM**

## REAR SUB-ASSEMBLY

USE FAS0283,  
FAS0552, & FAS0861  
(2 PLACES)  
1/2" WRENCH  
1/2" SOCKET



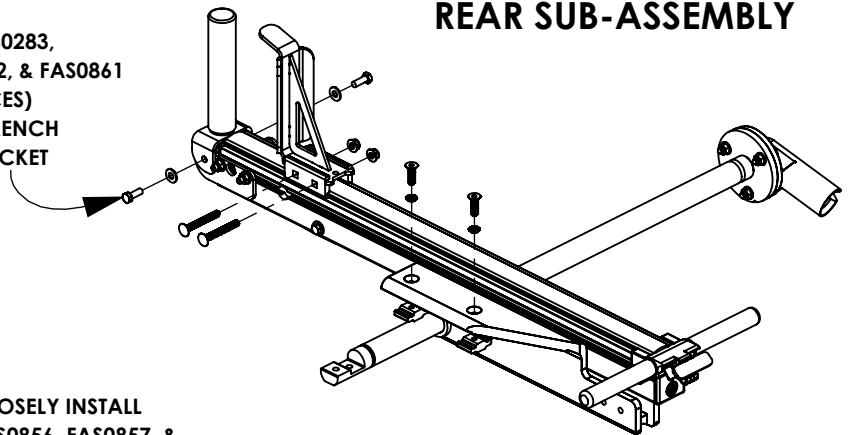
USE FAS0838 & FAS0861  
(4 PLACES)  
1/2" SOCKET

LOOSELY INSTALL  
FAS0856, FAS0857, &  
63490  
(4 PLACES)

# DRIVER SIDE CARTRIDGES

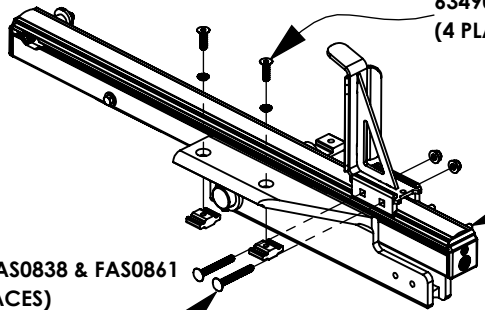
## REAR SUB-ASSEMBLY

USE FAS0283,  
FAS0552, & FAS0861  
(2 PLACES)  
1/2" WRENCH  
1/2" SOCKET



## FRONT SUB-ASSEMBLY

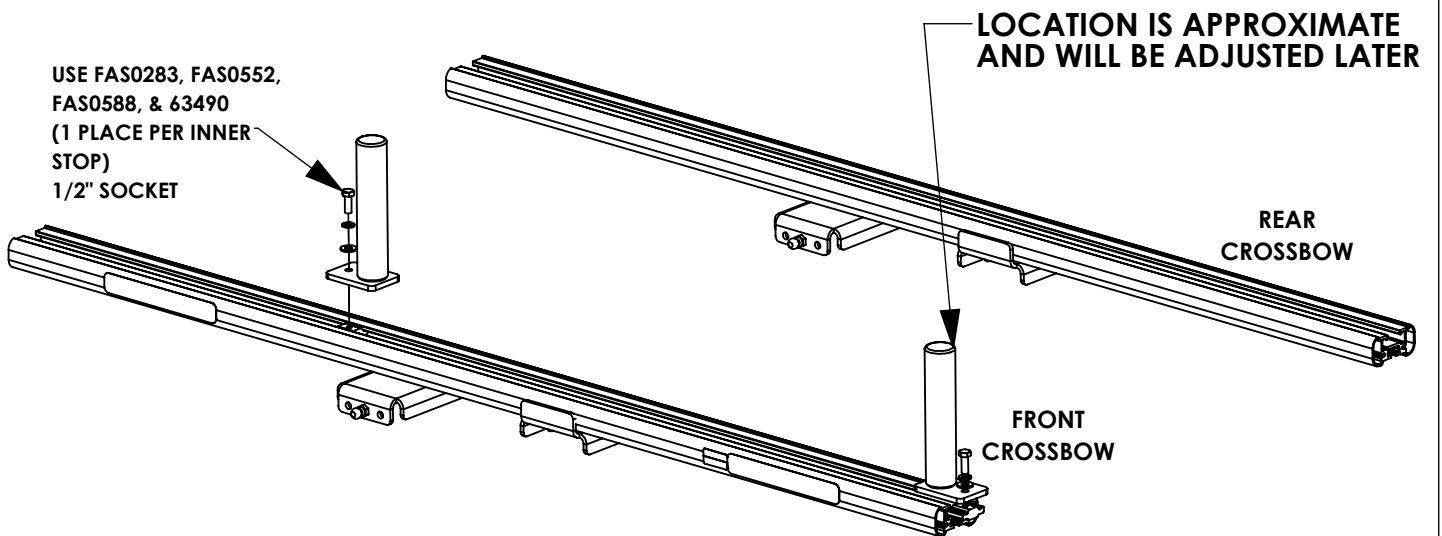
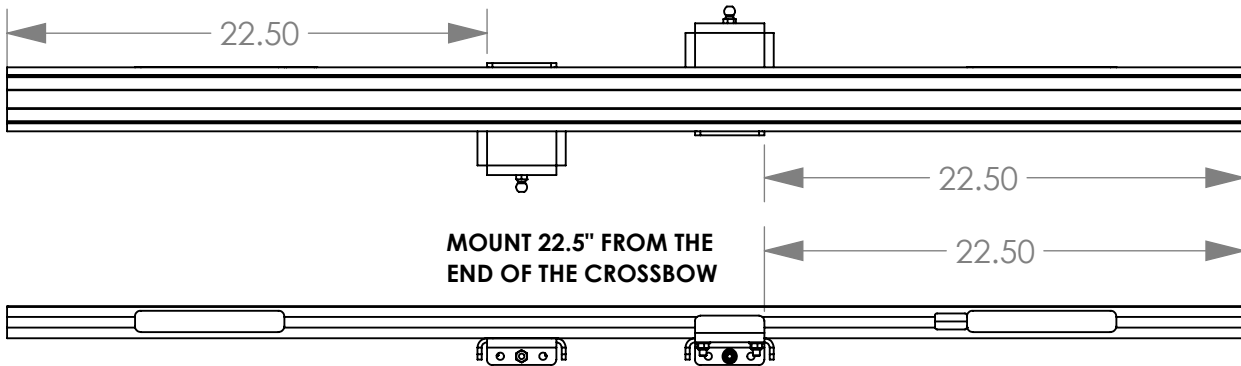
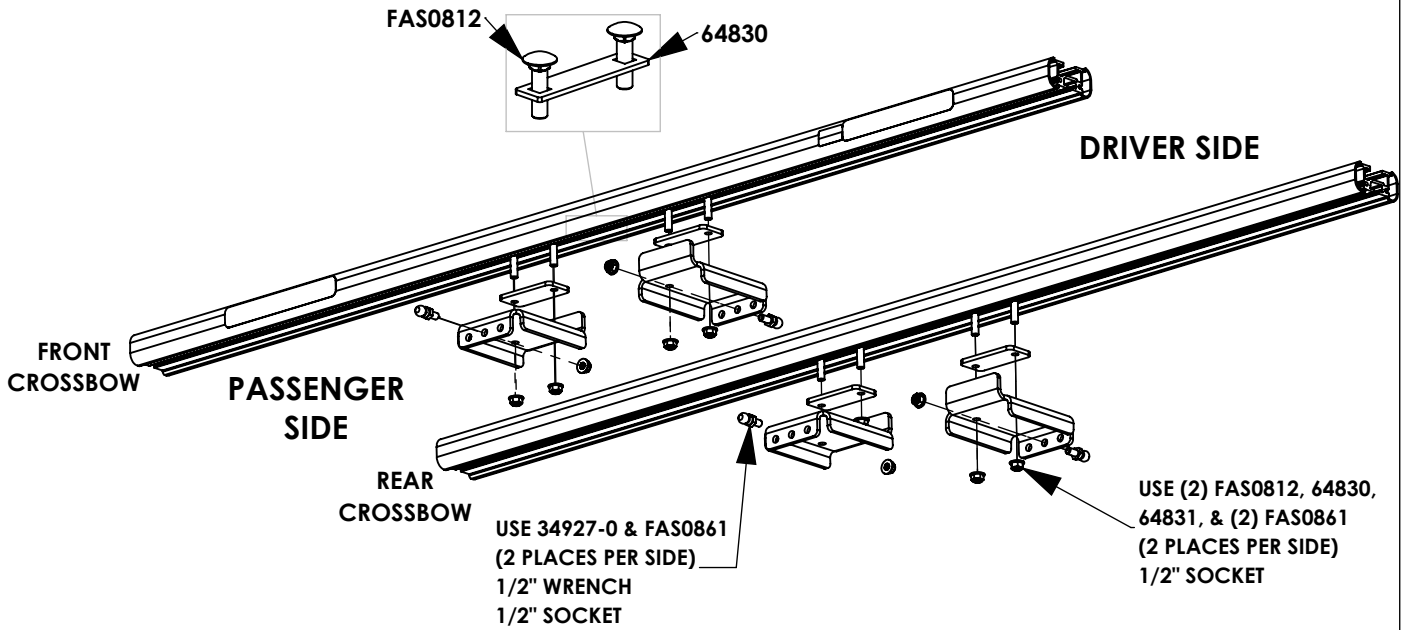
LOOSELY INSTALL  
FAS0856, FAS0857, &  
63490  
(4 PLACES)



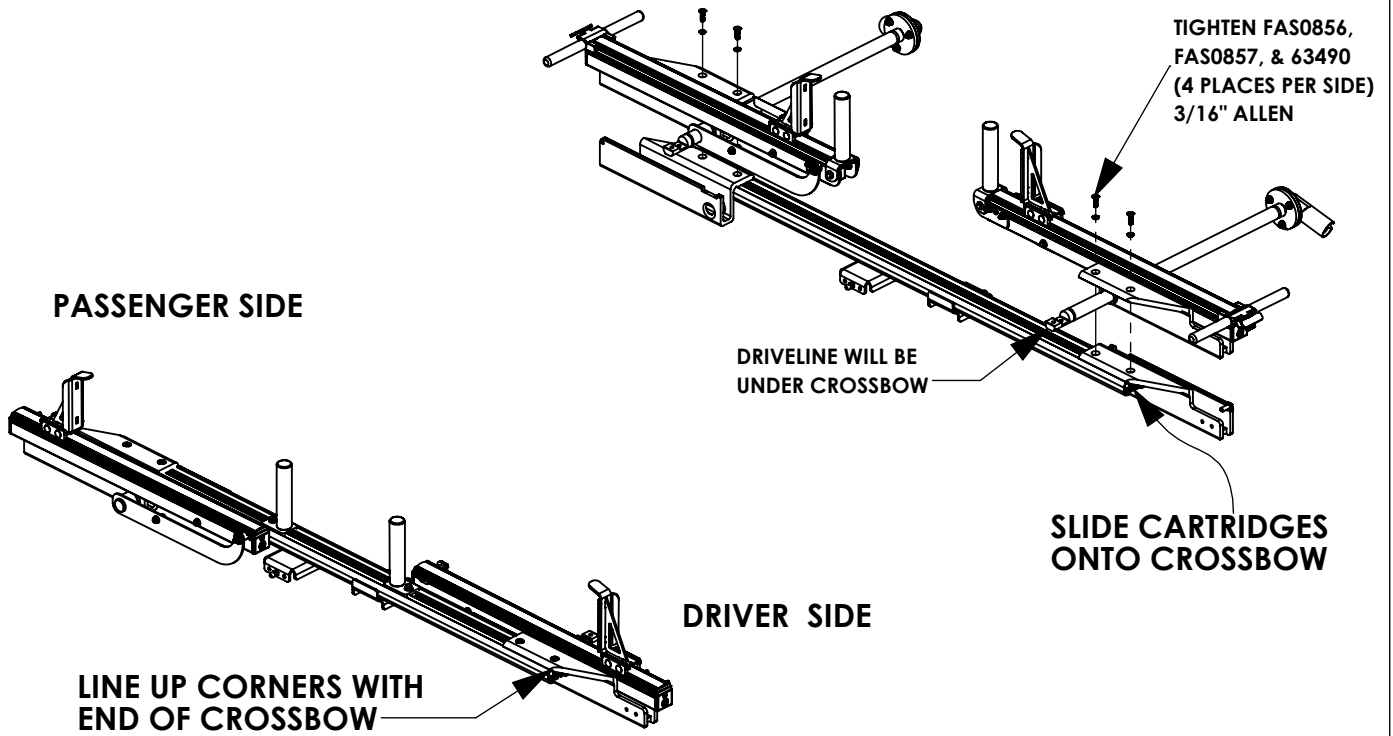
USE FAS0838 & FAS0861  
(4 PLACES)  
1/2" SOCKET

FAS0035  
SLIDE INTO SLOT  
(2 PLACES)

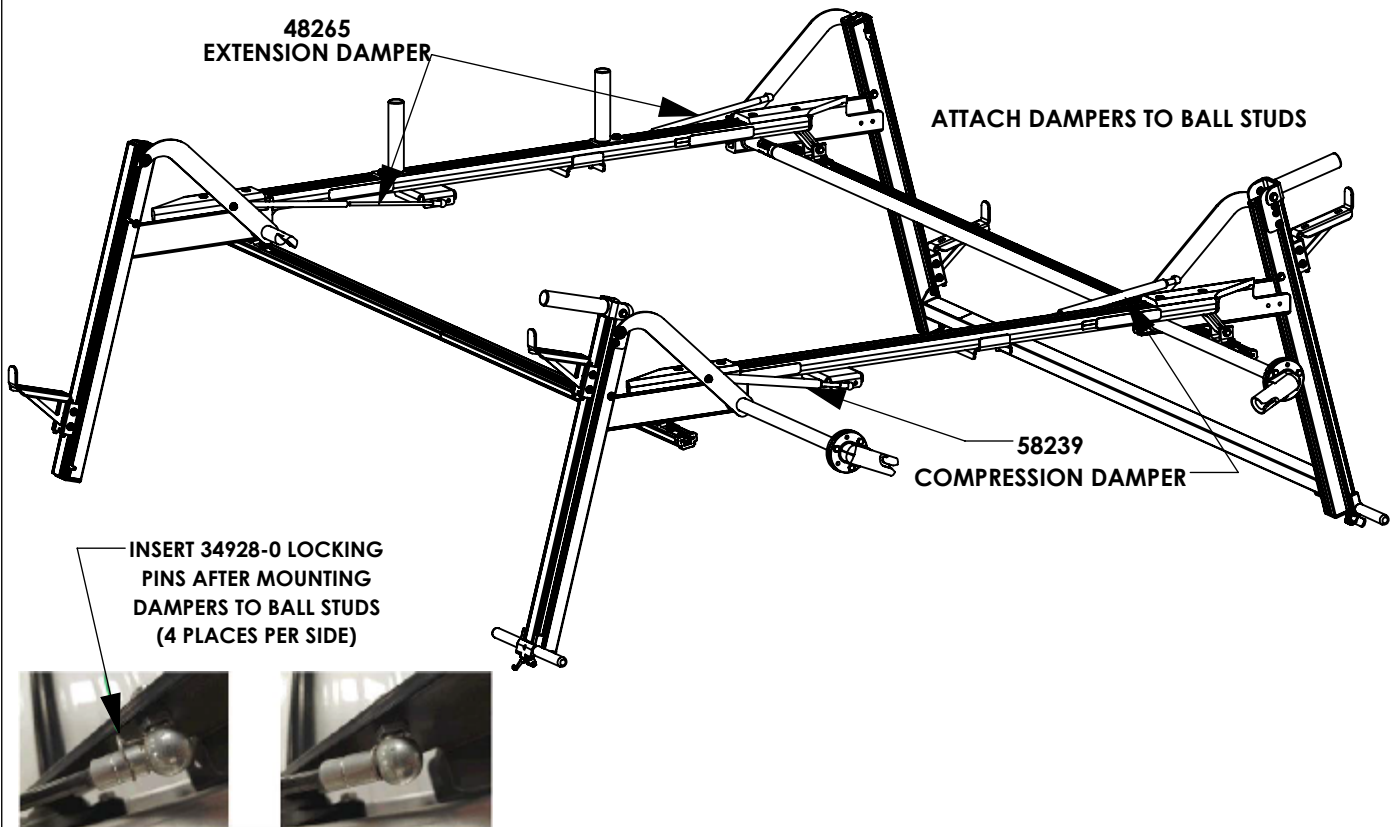
# STEP 2 - MOUNT DAMPER BRACKETS AND INNER STOPS TO CROSSBOWS



### STEP 3 - INSTALL CARTRIDGES ON CROSSBOWS

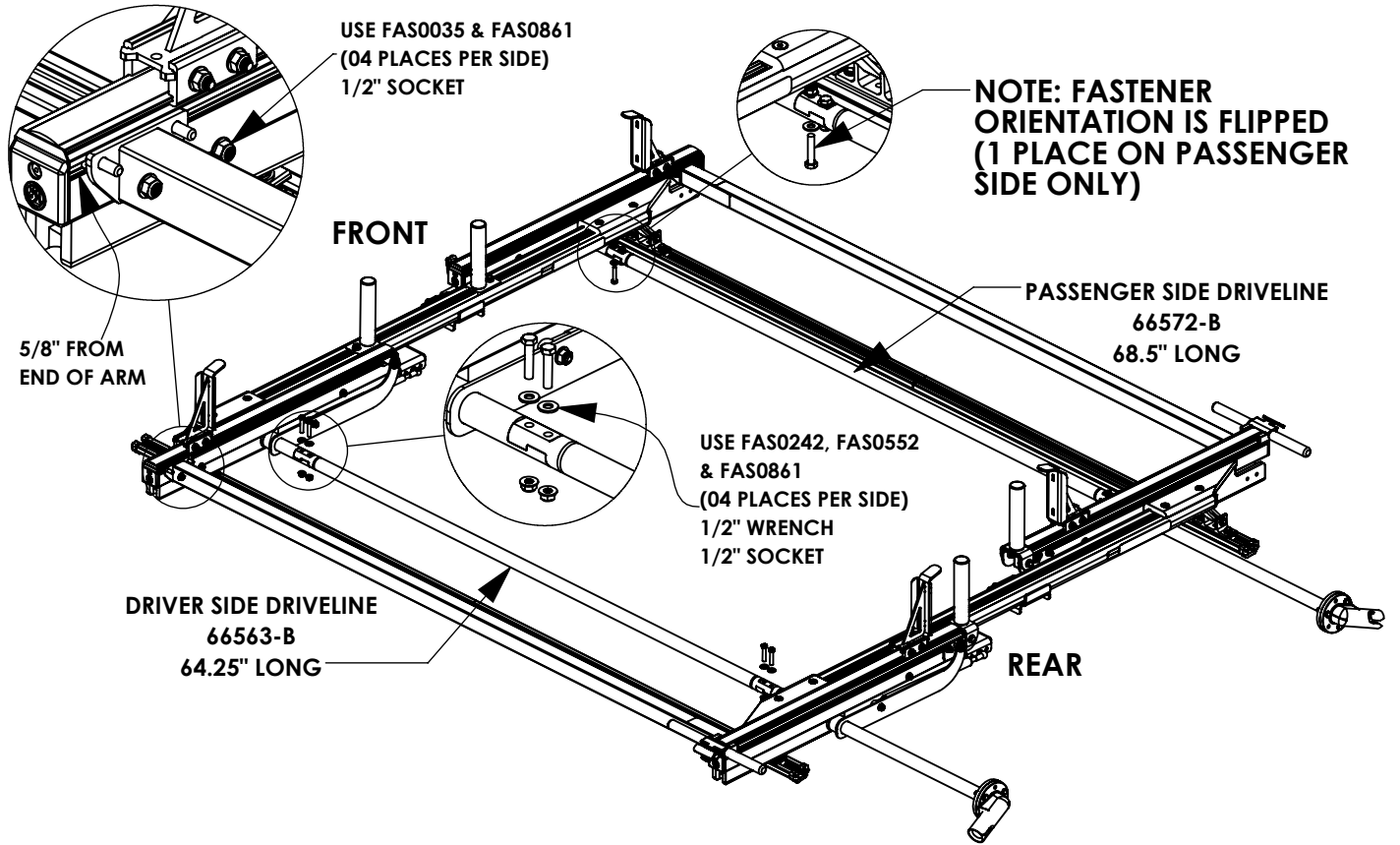


### STEP 4 - INSTALL DAMPERS

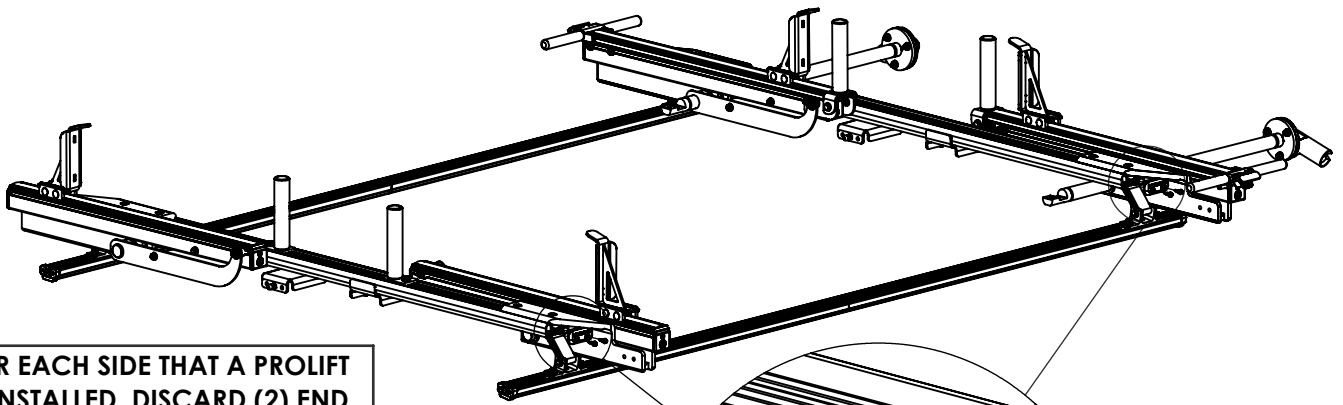




### STEP 5 - INSTALL O.S. BAR AND THEN THE DRIVELINE

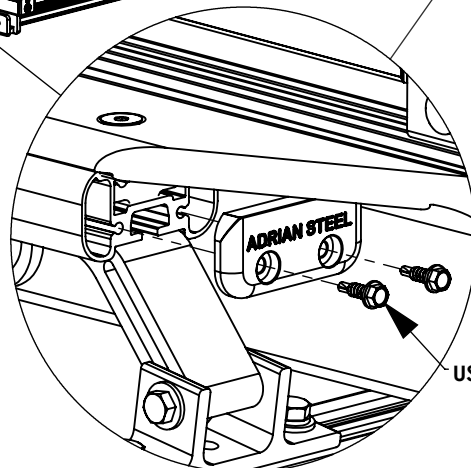


### STEP 6 - INSTALL CROSSBOW END CAPS



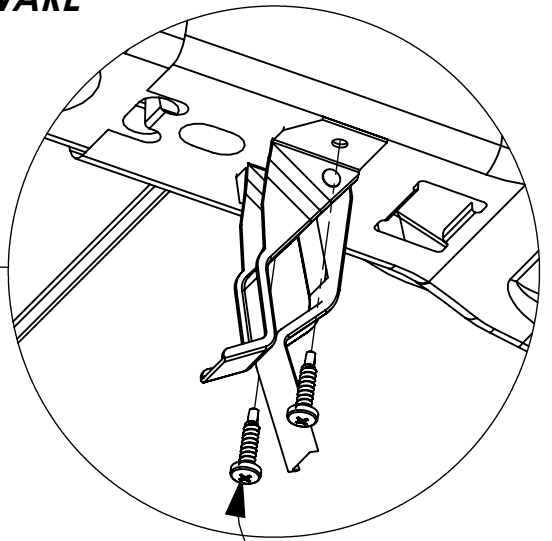
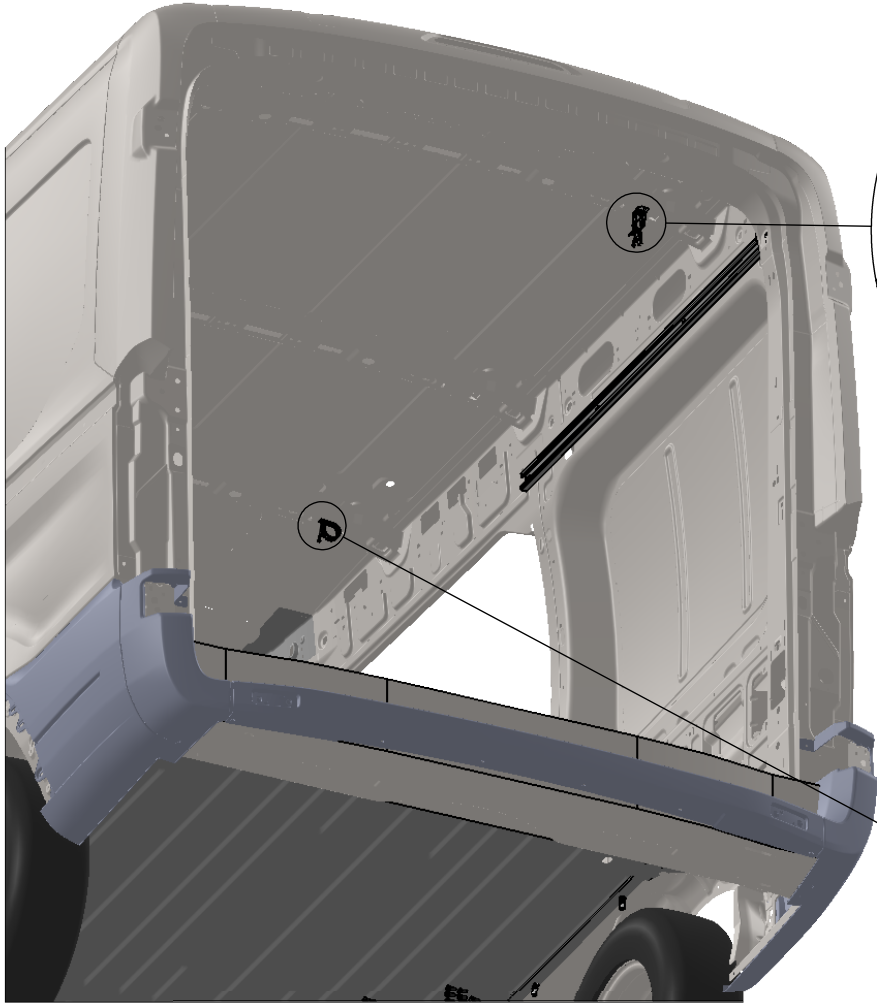
FOR EACH SIDE THAT A PROLIFT IS INSTALLED, DISCARD (2) END CAPS THAT ARE INCLUDED WITH THE CROSSBOW KIT.

SHOWN BELOW:

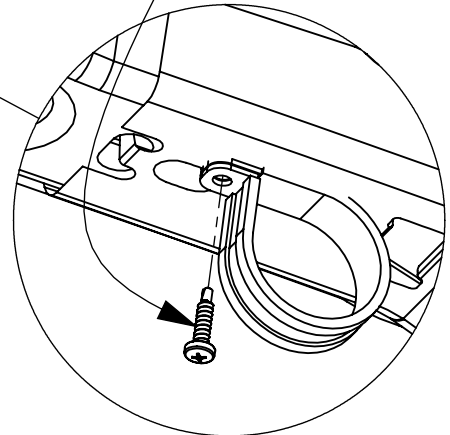


USE 65961 & (2) FAS0473  
(2 PLACES PER SIDE)  
3/8" SOCKET

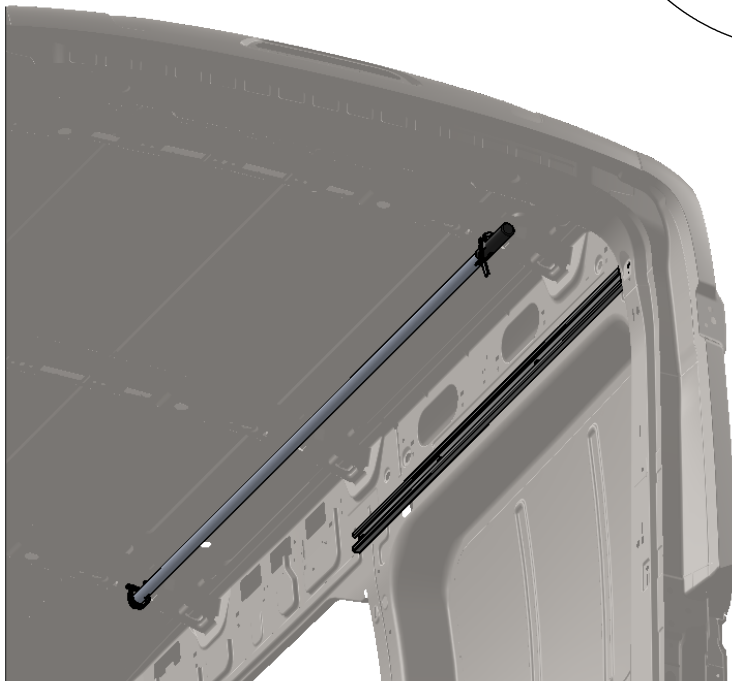
**STEP 7 - INSTALL HANDLE STORAGE HARDWARE**



USE FAS0782  
(03 PLACES)  
#2 PHILLIPS

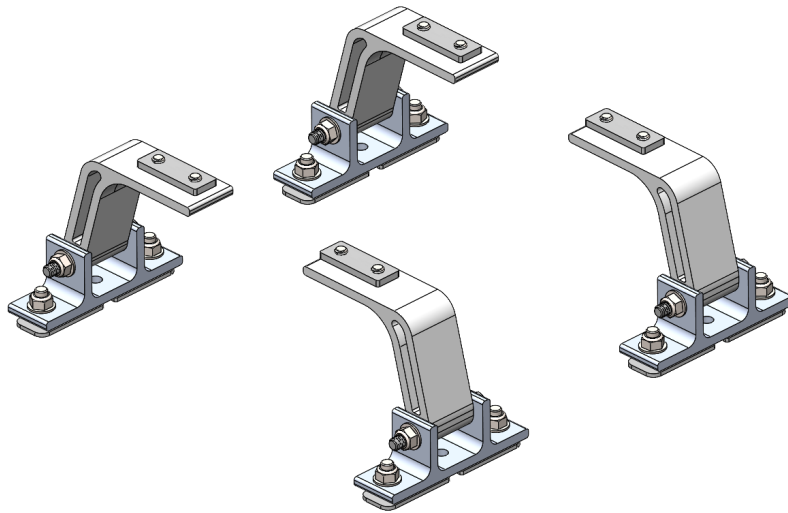


**STEP 8 - CLIP HANDLE INTO STORAGE CLIP**





## Mounting Bracket Kit for OEM Rail, 4-Pack, White, Sprinter



PRODUCT WEIGHT  
**4.1 LBS**

HEIGHT OFF ROOF  
**SEE TABLE BELOW**

CAPACITY  
**REFER TO OEM'S  
RECOMMENDED LOAD  
RATING**  
COLOR

**WHITE**

CATALOG NUMBER

**SPRMBK4W**

### PRODUCT FEATURES

**Mercedes Sprinter aluminum mounting bracket kit for the PROFILE™ HD Utility, grip lock, drop down, and combo ladder racks. Mounting kit works for low roof vehicles with the OEM roof rail option.**

**Utility and grip lock racks are not recommended for high roof vehicles!**

**SEE PAGE 2 FOR APPLICATION NOTES AND ACCESSORIES, OTHER PRODUCTS THAT WORK WITH THIS UNIT.**

**PAGE 1 of 2**

The information contained in this document is the sole property of ADRIAN STEEL COMPANY. ADRIAN STEEL COMPANY retains the right to modify and/or change the product of its design at any time without prior notification.



**CATALOG NUMBER      SPRMBK4W**

**PRODUCT APPLICATION**

**This product is designed to be installed on Mercedes Sprinter vans with OEM roof rail option. HD Utility and grip lock racks are not recommended for high roof vehicles!**

**ACCESSORIES THAT WILL WORK WITH THIS PRODUCT**

CATALOG NUMBER	DESCRIPTION	CATALOG NUMBER	DESCRIPTION
SPRMBK2W	Mounting Bracket Kit for OEM Rail, 2-Pack, White, Sprinter	4UPK4B	4" Upright Kit, 4-Pack, Black
2BARW	2-Crossbar Kit, 68", White, Full Size Van	4UPK2B	4" Upright Kit, 2-Pack, Black
1BARW	Single Crossbar Kit, 68", White, Full Size Van	6UPK4B	6" Upright Kit, 4-Pack, Black
70-1NGLR	4" End Cap for PVC Conduit	6UPK2B	6" Upright Kit, 2-Pack, Black
70-2NGLR	6" End Cap for PVC Conduit	9UPK4B	9" Upright Kit, 4-Pack, Black
80-1NGLR	Conduit Kit, 10w x 6h x 126d, Multiple Vehicles	9UPK2B	9" Upright Kit, 2-Pack, Black
80-2NGLR	Conduit Kit, 10w x 6h x 150d, Multiple Vehicles	RSK1B	Single Ratchet Upright Kit, 9"
		ULSKB	Single Ladder Stop Kit

**LADDER RACK HEIGHTS MEASURED FROM ROOF OF VEHICLE**

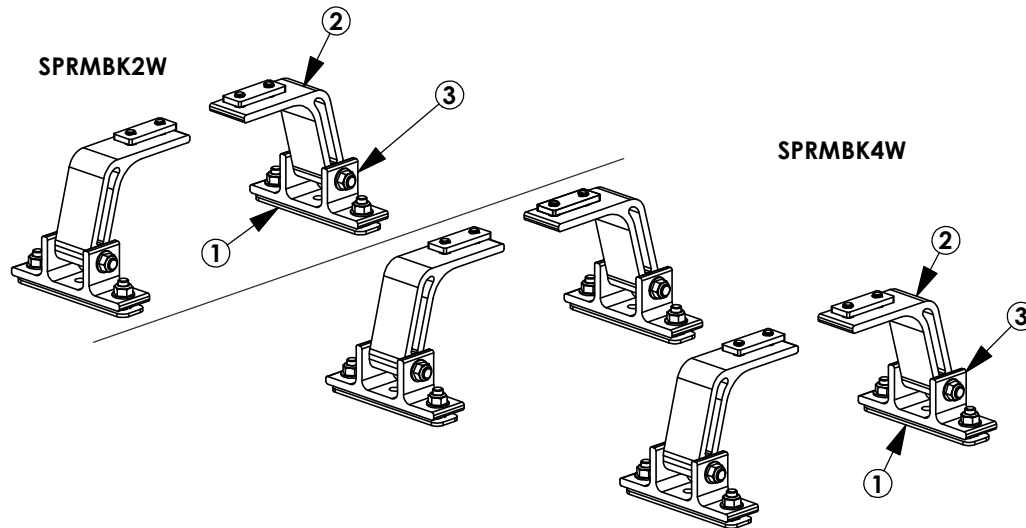
CONFIGURATION	RACK HEIGHT LOW / HIGH ROOF
Base Rack	5" / 5.6"
Base + Ladder Stop	10.5" / 11.1"
Base + 4" Uprights	8.5" / 9.1"
Base + 6" Uprights	10.5" / 11.1"
Base + 9"/Ratchet Uprights	13.5" / 14.1"
Base + 4" PVC Conduit Kit	9.4" / 10"
Base + 6" PVC Conduit Kit	11.4" / 12"
Base + Aluminum Box Conduit Kit	11.5" / 12.1"

INSTR. NUMBER	PG:	REV:	ITEM NO.	PART NUMBER	DESCRIPTION	SPRMBK4W	SPRMBK2W
: 64712	1	D	1	63911	UTILITY, PM MOUNT PLATE	4	2
PART NUMBER : <b>SPRMBK</b>			2	68202-W	PROFILE, MOUNTING ARM, W	4	2
PART : UTILITY,MNT BKT,SP RL DESC. :			3	63852-W	UTILITY, MOUNTING BRKT, W	4	2
			4	68042	PROFILE FOOT MOUNTING PLATE	2	-
			5	FAS0857	WASHER,LCK EXT CS 5/16 SS	5	-
			6	FAS0858	SCREW,FHH 5/16-18X.63 SS	5	-

**NOTE: THIS INSTRUCTION IS VALID FOR THE FOLLOWING KITS TO MOUNT TO THE SPRINTER OEM ROOF RAIL:**

**-PART NUMBERS WITH "-W" SUFFIX ARE PAINTED WHITE  
-FOR BLACK MOUNTING KITS, REPLACE "-W" PARTS WITH "-B" PARTS**

- SPRMBK4W
- SPRMBK2W
- SPRMBK4B
- SPRMBK2B



**GET TO KNOW THE VEHICLE** - AT THE BEGINNING OF ANY INSTALLATION, CHECK THE LOCATION OF THE FUEL TANK, FUEL LINES, BRAKE LINES, HIGH VOLTAGE BATTERIES AND WIRING HARNESSES TO AVOID INJURY OR PROPERTY DAMAGE FROM TOOL CONTACT.

**SEAL ALL EXTERIOR HOLES** - ALL INSTALLATION HOLES SHOULD BE SEALED WITH BUTYL TAPE OR SILICON TO PREVENT WATER AND EXHAUST GASES FROM ENTERING THE VEHICLE.

**CONTROL DRILL DEPTH** - TO AVOID DAMAGE TO THE VEHICLE, USE A DRILL STOP OR CLEARED STEP BIT WHEN DRILLING INSTALLATION HOLES.

**ALWAYS ADD PRIMER** - WHEN ADDING INSTALLATION HOLES BE SURE TO USE A SELF-ETCHING PRIMER TO PREVENT CORROSION, FASTENER FAILURE AND INJURY.

**MOUNTING POINTS MUST HAVE METAL-TO-METAL CONTACT** - USE PROVIDED MOUNTING SPACERS TO ACCOMMODATE FOR VEHICLE FEATURES, CARPET OR SUBFLOORS.

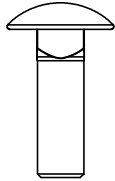
**PROVIDE CLEARANCE FOR SPACERS** - IF THE INSTALLATION VEHICLE CONTAINS A CARPET OR SUBFLOOR, USE A 1-3/16" DIAMETER CARPET CUTTER (P/N: 31183-0) AT ALL MOUNTING LOCATIONS TO OPEN UP ROOM FOR SPACERS.

**CHECK SPACER ORIENTATION** - BE SURE THAT THE INDENT IN THE SPACER COVERS THE PLUSNUT HEAD; THIS ENSURES THE MOST METAL-TO-METAL CONTACT AND REDUCES VIBRATION.

**PLUSNUT INSTALLATION** - A PLUSNUT GUN IS RECOMMENDED FOR PLUSNUT INSTALLATION FOR ITS PRODUCTION SPEED. HOWEVER, A PLUSNUT SETTING TOOL CAN ALSO BE USED (P/N: 22200-0).

**THRU-BOLT CLEARANCE** - WHEN USING A THRU-BOLT AT ANY MOUNTING LOCATION, BE SURE THAT YOUR HOLE HAS 1/16" CLEARANCE.

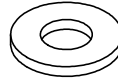
**FASTENERS USED**



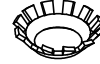
**FAS0398**  
5/16-18X1.0 SS  
CRG BOLT  
QTY: 8



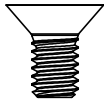
**FAS0861**  
5/16-18 SS  
HH FLG NUT  
QTY: 12



**FAS0552**  
5/16 SS  
FLAT WASHER  
QTY: 4



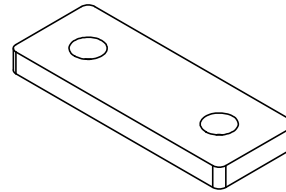
**FAS0857**  
5/16 SS  
WASHER,LCK EXT CS  
QTY: 8



**FAS0858**  
5/16-18X.63  
FHH SCREW  
QTY: 8



**FAS0243**  
5/16-18X2.5 SS  
HH SCREW  
QTY: 4



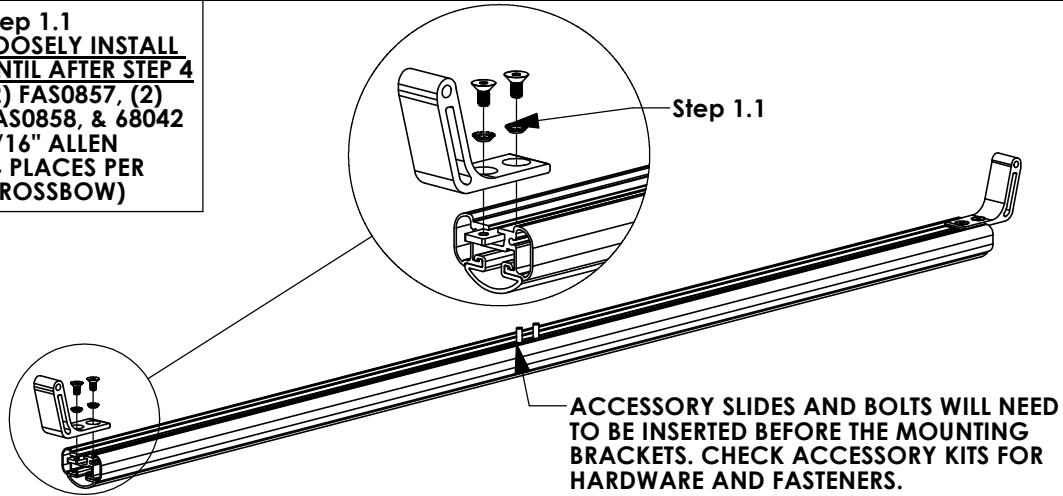
**68042**  
PROFILE FOOT  
MOUNTING PLATE  
QTY: 4

**INTENTIONALLY LEFT BLANK**



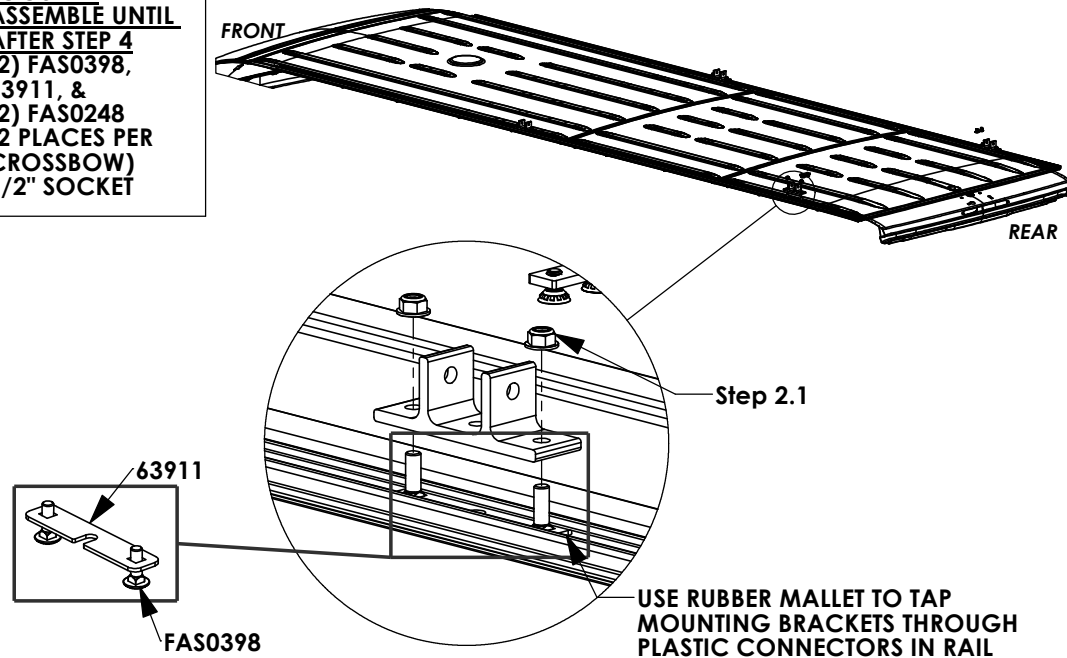
**STEP 1 - ASSEMBLE MOUNTING ARMS TO CROSSBOW**

**Step 1.1**  
**LOOSELY INSTALL**  
**UNTIL AFTER STEP 4**  
**(2) FAS0857, (2)**  
**FAS0858, & 68042**  
**3/16" ALLEN**  
**(4 PLACES PER**  
**CROSSBOW)**



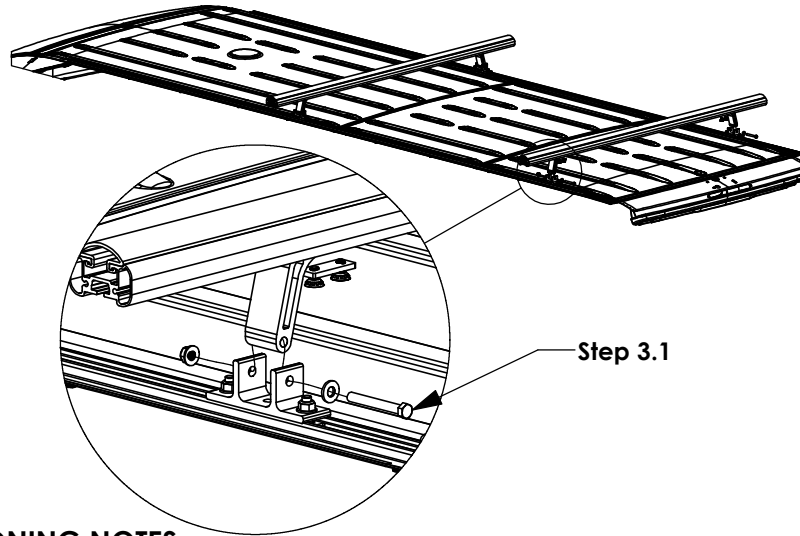
**STEP 2 - INSTALL MOUNTING BRACKETS TO VAN ROOF**

**Step 2.1:**  
**LOOSELY**  
**ASSEMBLE UNTIL**  
**AFTER STEP 4**  
**(2) FAS0398,**  
**63911, &**  
**(2) FAS0248**  
**(2 PLACES PER**  
**CROSSBOW)**  
**1/2" SOCKET**



**STEP 3 - ATTACH CROSSBOW ASSEMBLY TO ROOF**

**Step 3.1**  
**LOOSELY ASSEMBLE**  
**UNTIL AFTER STEP 4**  
**FAS0243, FAS0552,**  
**& FAS0861**  
**(2 PLACES PER**  
**CROSSBOW)**  
**1/2" SOCKET**  
**1/2" WRENCH**



**CROSSBOW POSITIONING NOTES:**

**HD UTILITY RACK -**

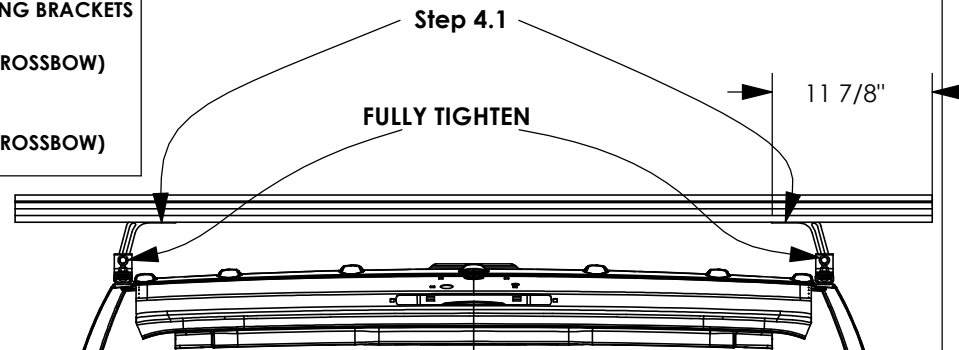
REAR CROSSBOW - REARWARD AS POSSIBLE  
FRONT CROSSBOW- POSITION TO BEST FIT END USER'S PRODUCT

**GRIP LOCK/PROLIFT LADDER RACKS -**

REFER TO RESPECTIVE INSTRUCTION FOR CROSSBOW PLACEMENT.

**STEP 4 - SECURE CROSSBOW**

**Step 4.1**  
**CENTER CROSSBOW AND**  
**SECURE MOUNTING BRACKETS**  
**3/16" ALLEN**  
**(4 PLACES PER CROSSBOW)**  
**1/2" SOCKET**  
**1/2" WRENCH**  
**(2 PLACES PER CROSSBOW)**



**AFTER POSITIONING CROSSBOWS, FULLY TIGHTEN FASTENERS FROM STEP 1, 2 & 3**



## 2-Crossbar Kit, 58", White, Minivan



PRODUCT WEIGHT  
**16.1 LBS**

CROSSBOW LENGTH X  
HEIGHT

**59" x 2"**

CAPACITY

**REFER TO OEM'S  
RECOMMENDED LOAD  
RATING**

COLOR

**WHITE**

CATALOG NUMBER

**2BARCW**

### PRODUCT FEATURES

Aluminum base 2-crossbow kit for PROFILE™ HD Utility, grip lock, drop down, or combo ladder racks. Works with all compact van platforms for each respective wheelbase and Ford Transit Ship Thru. Works with and without OEM specific rail kit and generic mounting bracket kits.

Optional uprights and conduit kits available.

Please refer to OEM specific mounting kit or rail kit for additional information on compatible accessories.

# INSTALLATION GUIDE FOR PROFILE™ SERIES LADDER RACKS

INSTRUCTION #:  
**68895**

REV:  
**B**

THIS INSTRUCTION PROVIDES A GENERAL GUIDE OF INSTALLATION SEQUENCE FOR ALL PROFILE™ SERIES LADDER RACKS. PLEASE ENSURE ALL ACCESSORIES ARE INSTALLED PER TYPE OF RACK BEFORE PROCEEDING TO NEXT PAGE.

REFERENCE THIS INSTRUCTION THROUGHOUT THE ENTIRETY OF YOUR INSTALL TO PREVENT ACCESSORIES BEING INSTALLED INCORRECTLY/OUT OF SEQUENCE!

STEPS 21 - 81 ON PAGE 3 IS THE RECOMMENDED ASSEMBLY SEQUENCE FOR A FULL TABLE ASSEMBLY BEFORE INSTALLING ON THE ROOF OF THE VEHICLE.

STEPS 2R - 8R ON PAGE 4 IS AN ALTERNATE ASSEMBLY SEQUENCE TO INSTALL THE RACK ON THE VEHICLE ROOF AS IT IS BUILT.

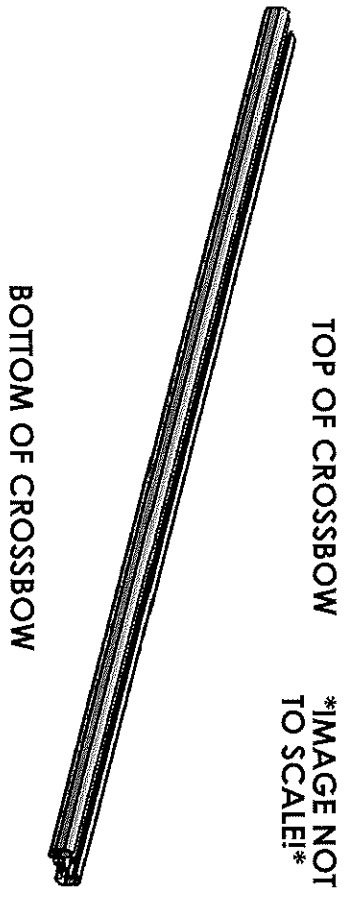
PLEASE SELECT THE ASSEMBLY SEQUENCE THAT BEST WORKS FOR YOU!



## ASSEMBLY STEPS:

**STEP 1A. SUB-ASSEMBLE EACH CROSSBOW WITH DESIRED ACCESSORIES FOR SECTIONS A.1 & A.2.**

*INSTRUCTIONS FOR EACH KIT CAN BE FOUND IN THEIR RESPECTIVE CARTON!*



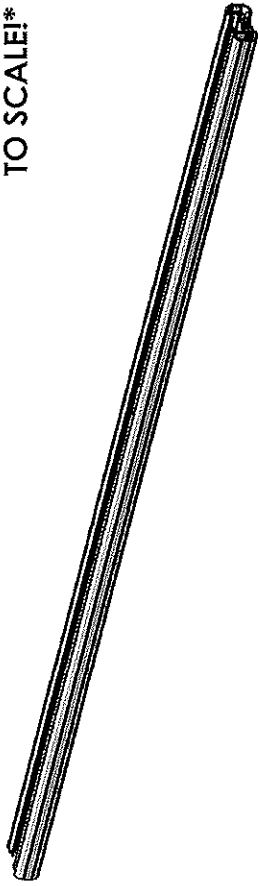
**TABLE 1**

TOP OF CROSSBOW		COMPONENTS TO INSTALL
A.1		HD UTILITY - CONDUIT KIT OR BEACON
		Grip-Lock - CONDUIT KIT OR BEACON
		ProLift - CONDUIT KIT OR BEACON
BOTTOM OF CROSSBOW		COMPONENTS TO INSTALL
A.2		HD UTILITY - LADDER STOP, STROBE BRACKET, AND/OR REAR ROLLER
		Grip-Lock - Grip-Lock SUB-ASSEMBLY
		ProLift - DAMPER BRACKET

**STEP 1B. SUB-ASSEMBLE EACH CROSSBOW WITH DESIRED ACCESSORIES FOR SECTIONS B.1 & B.2. INSTRUCTIONS FOR EACH KIT CAN BE FOUND IN THEIR RESPECTIVE CARTON!**

**TOP OF CROSSBOW**

**\*IMAGE NOT TO SCALE!\***



**BOTTOM OF CROSSBOW**

**TABLE 2**

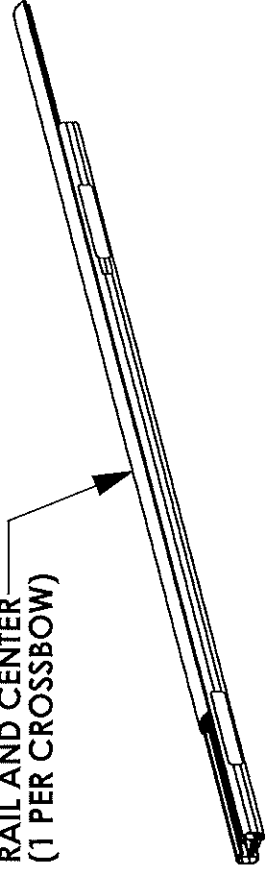
TOP OF CROSSBOW	
COMPONENTS TO INSTALL	
HD UTILITY	- WEAR STRIP (MODIFY IF NECESSARY, TABLE 3)
Grip-Lock	- WEAR STRIP (MODIFY IF NECESSARY, TABLE 3)
ProLift	- INNER STOP POST
BOTTOM OF CROSSBOW	
COMPONENTS TO INSTALL	
HD UTILITY	- MOUNTING BRACKETS
Grip-Lock	- MOUNTING BRACKETS
ProLift	- MOUNTING BRACKETS

**ALTER WEAR STRIP AND INSTALL ON CROSSBOW (IF APPLICABLE)! REFERENCE TABLE 3 BELOW FOR WEAR STRIP ALTERATION INSTRUCTIONS!**

**TABLE 3**

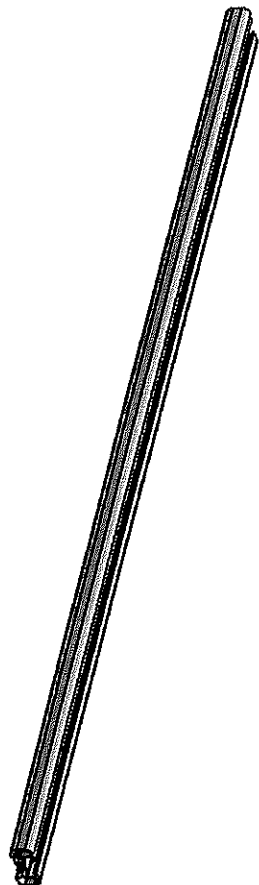
ADDED ACCESSORIES	ALTERATION FOR WEAR STRIP
4" UPRIGHT***	REMOVE 2" FROM END OF WEAR STRIP
4" PVC CONDUIT KIT	REMOVE 7.25" FROM CENTER OF WEAR STRIP
6" PVC CONDUIT KIT	REMOVE 9.50" FROM CENTER OF WEAR STRIP
ALUMINUM BOX CONDUIT KIT	REMOVE 13.25" FROM CENTER OF WEAR STRIP
BEACON	REMOVE 4" FROM CENTER OF WEAR STRIP
ProLift (SINGLE SIDE)	CUT WEAR STRIP IN HALF, DO NOT INSTALL ON ProLift SIDE
ProLift (DUAL SIDE)	DO NOT INSTALL WEAR STRIP

**SLIDE WEAR STRIP INTO RAIL AND CENTER (1 PER CROSSBOW)**



**STEP 1C SUB-ASSEMBLE EACH CROSSBOW WITH DESIRED ACCESSORIES FOR SECTIONS C.1 & C.2**

TOP OF CROSSBOW  
\*IMAGE NOT TO SCALE!\*



BOTTOM OF CROSSBOW

**TABLE 4**

TOP OF CROSSBOW COMPONENTS TO INSTALL	
HD UTILITY	- 4" UPRIGHT
Grip-Lock	- N/A
Prolift	- SLIDES FOR BASE EXTRUSION
BOTTOM OF CROSSBOW COMPONENTS TO INSTALL	
HD UTILITY	- UPRIGHTS (6", 9", RATCHET)
Grip-Lock	- STROBES
Prolift	- STROBES

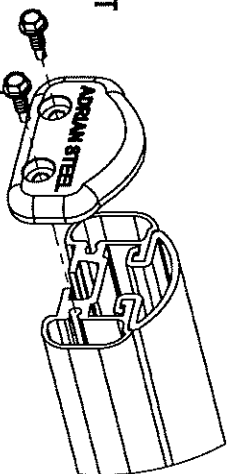
**ASSEMBLY STEPS (FULL BENCH ASSEMBLY):**

- 2T. ADD DRIVELINES (IF INSTALLING Prolift)
- 3T. ADD HANDLES (IF INSTALLING Grip-Lock OR Prolift) AND DAMPERS (IF INSTALLING Prolift)
- 4T. ADD OUTER SUPPORT BARS (IF INSTALLING Grip-Lock OR Prolift)
- 5T. ADD STEP LADDER KIT (Grip-Lock OR Prolift ONLY)

6T. ASSEMBLE ENDS CAPS TO CROSSBOW

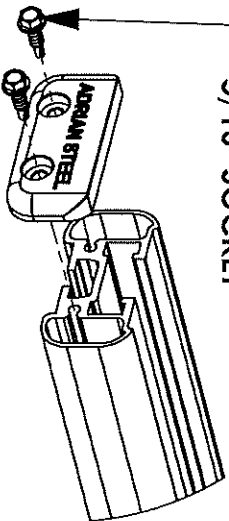
USED FOR HD UTILITY & Grip-Lock RACKS

LOCATED IN CROSSBOW KIT



FULLY TIGHTEN  
(2) FAS0473, 63851  
(2 PLACES PER END CAP)  
5/16" SOCKET

USED FOR Prolift RACKS  
LOCATED IN Prolift Kit



7T. INSTALL ROOF RAIL KIT ON VEHICLE ROOF OR BOTTOM MOUNTING BRACKETS

(ROOF RAIL KIT REQUIRED FOR Grip-Lock & Prolift OPTIONAL FOR HD UTILITY, NOT NEEDED FOR GM LADDER RACKS)

8T. MOUNT CROSSBOW SUB-ASSEMBLIES FROM STEP 1 TO VEHICLE/MOUNTING BRACKET, OR ROOF RAIL (LOOSE INSTALL)

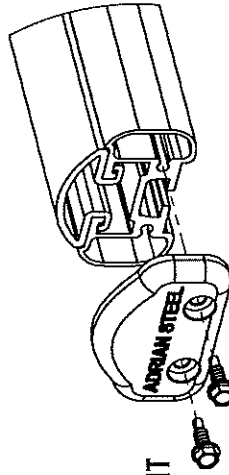
**ALTERNATE ASSEMBLY METHOD!**  
**(ASSEMBLE ON VEHICLE ROOF):**

- 2R. INSTALL ROOF RAIL KIT ON VEHICLE ROOF OR BOTTOM MOUNTING BRACKETS  
(ROOF RAIL KIT REQUIRED FOR Grip-Lock & ProLift, OPTIONAL FOR HD UTILITY, NOT NEEDED FOR GM LADDER RACKS)
- 3R. MOUNT CROSSBOW SUB-ASSEMBLIES FROM STEP 1 TO VEHICLE/MOUNTING BRACKET, OR ROOF RAIL (LOOSE INSTALL)
- 4R. ADD DRIVELINES (IF INSTALLING ProLift)
- 5R. ADD HANDLES (IF INSTALLING Grip-Lock OR ProLift) AND DAMPERS (IF INSTALLING ProLift)
- 6R. ADD OUTER SUPPORT BARS (IF INSTALLING Grip-Lock OR ProLift)
- 7R. ADD STEP LADDER KIT (Grip-Lock OR ProLift ONLY!)

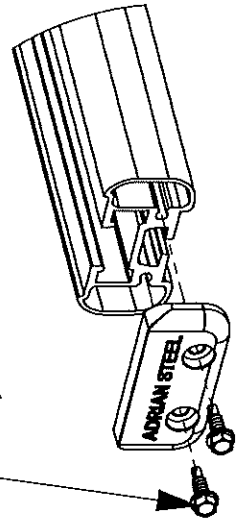
8R. ASSEMBLE END CAPS TO CROSSBOW

USED FOR HD UTILITY & Grip-Lock RACKS

LOCATED IN CROSSBOW KIT



FULLY TIGHTEN  
(2) FAS0473, 63851  
(2 PLACES PER END CAP)  
5/16" SOCKET



USED FOR ProLift RACKS  
LOCATED IN ProLift Kit