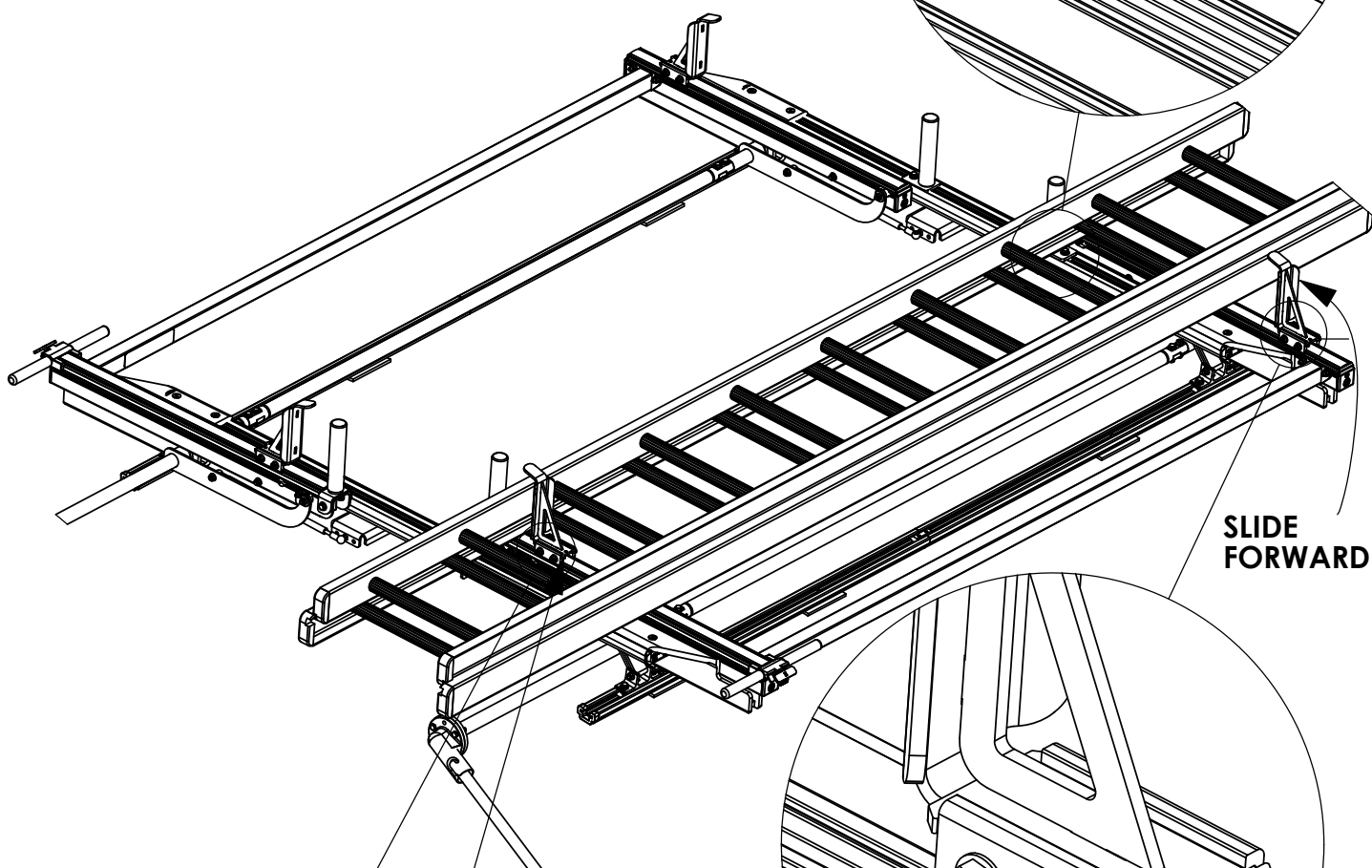
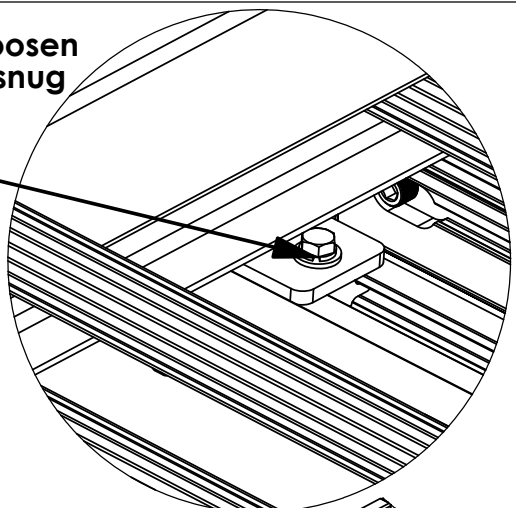


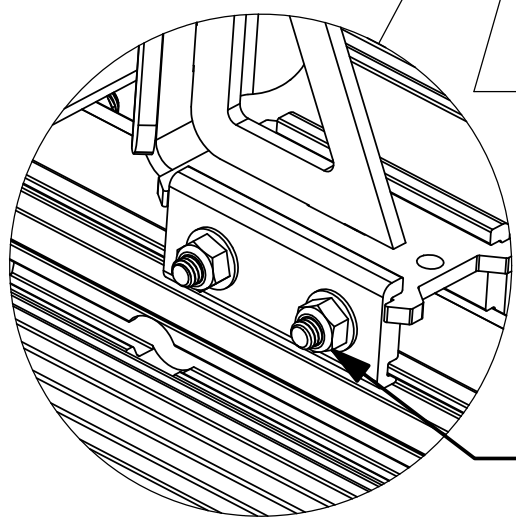
INSTR. NUMBER : 69483	PG: 1	REV: A
PART NUMBER • Max Drop ProLift - Low & Mid-Roof		
PART • ProLift Low & Mid-Roof DESC. • Adjustment Instructions		

**Step 2: With 1/2" Socket loosen nut, slide post so that it is snug against ladder
Tighten nut**

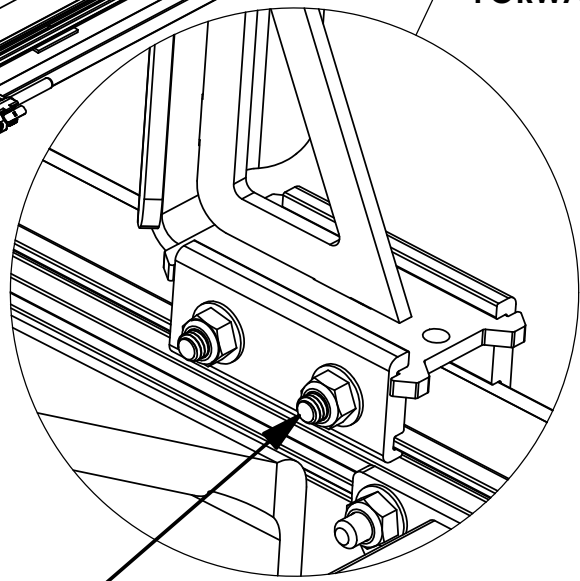


SLIDE FORWARD

SLIDE FORWARD



**Step 1: With 1/2" Socket loosen nuts (x2) slide clamp so that it is snug against ladder
Tighten nuts (X2)**

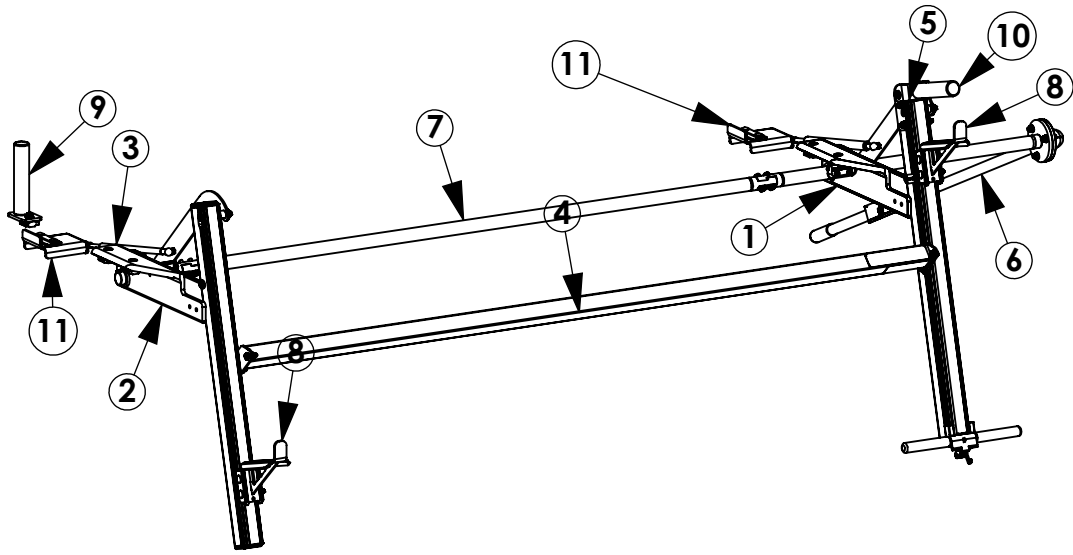


**Step 3: With 1/2" Socket loosen nuts (x2) slide clamp so that it is snug against outside of ladder
Tighten nuts (X2)**

Once all brackets are adjusted operate rack to make sure clamps are not too tight

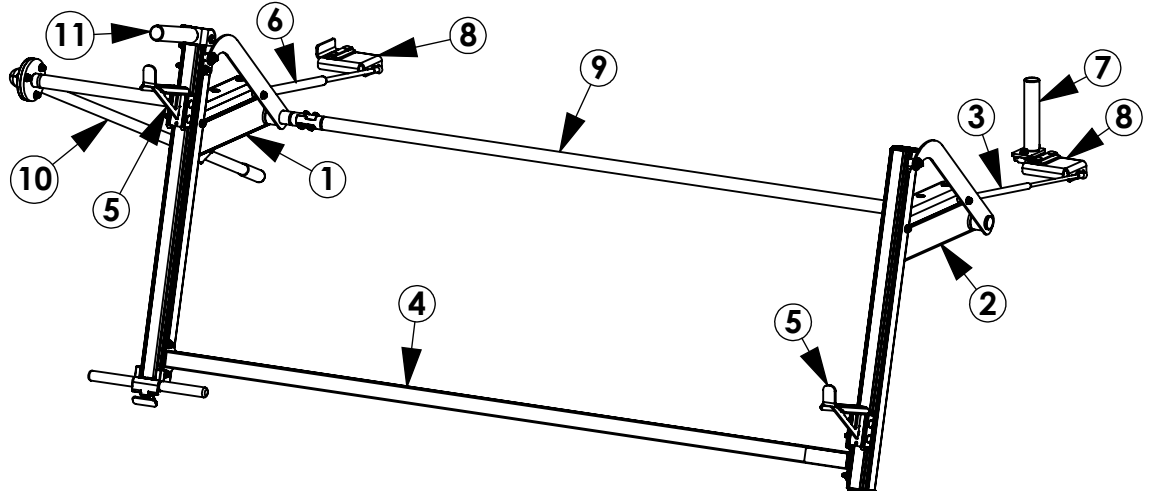
INSTR. NUMBER : 68499	PG: 1	REV: B	ITEM NO.	PART NUMBER	DESCRIPTION	QTY.
	PART NUMBER : PLMDPSM & PLMDDSM		1	68190-W	MAX DROP ARM ASM,MR,DS, WHITE	1
			2	68013-W	DROP DOWN FRONT ARM ASM DS, WHITE	1
PART DESC. : PROLIFT,MAX,PS,MR & PROLIFT,MAX,DS,MR		3		48265	DAMPER ASSEMBLY	1
		4		66959-W	DROP DOWN OUTER BAR, WELDMENT, WHITE	1
		5		58239	COMPRESSION DAMPER	1
		6		51989	HANDLE ASM, NO PAINT	1
		7		66563-B	DROP DOWN, SS CENTER DRIVELINE, BLK	1
		8		68037-B	CLAMP PAD, 6.5", BLACK	2
		9		68186-W	PROLIFT INNER POST, WHITE	1
		10		68196-W	PROLIFT MAX DROP STOP, WHITE	1
		11		68045-W	PROLIFT DAMPER MOUNT, WHITE	2

PLMDDSMW



ITEM NO.	PART NUMBER	DESCRIPTION	QTY.
1	68189	MAX DROP CARTRIDGE, LR PS	1
2	68031-W	DROP DOWN FRONT ARM ASSM PS, WHITE	1
3	48265	DAMPER ASSEMBLY	1
4	66959-W	DROP DOWN OUTER BAR, WELDMENT, WHITE	1
5	68037-B	CLAMP PAD, 6.5", BLACK	2
6	58239	COMPRESSION DAMPER	1
7	68186-W	PROLIFT INNER POST, WHITE	1
8	68045-W	PROLIFT DAMPER MOUNT, WHITE	2
9	66572-B	DROP DOWN, CS CENTER DRIVELINE, BLK	1
10	51989	HANDLE ASM, NO PAINT	1
11	68196-W	PROLIFT MAX DROP STOP, WHITE	1

PLMDPSMW



GET TO KNOW THE VEHICLE - AT THE BEGINNING OF ANY INSTALLATION, CHECK THE LOCATION OF THE FUEL TANK, FUEL LINES, BRAKE LINES, HIGH VOLTAGE BATTERIES AND WIRING HARNESSSES TO AVOID INJURY OR PROPERTY DAMAGE FROM TOOL CONTACT.

SEAL ALL EXTERIOR HOLES - ALL INSTALLATION HOLES SHOULD BE SEALED WITH BUTYL TAPE OR SILICON TO PREVENT WATER AND EXHAUST GASES FROM ENTERING THE VEHICLE.

CONTROL DRILL DEPTH - TO AVOID DAMAGE TO THE VEHICLE, USE A DRILL STOP OR CLEARED STEP BIT WHEN DRILLING INSTALLATION HOLES.

ALWAYS ADD PRIMER - WHEN ADDING INSTALLATION HOLES BE SURE TO USE A SELF-ETCHING PRIMER TO PREVENT CORROSION, FASTENER FAILURE AND INJURY.

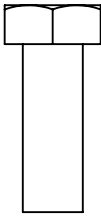
MOUNTING POINTS MUST HAVE METAL-TO-METAL CONTACT - USE PROVIDED MOUNTING SPACERS TO ACCOMMODATE FOR VEHICLE FEATURES, CARPET OR SUBFLOORS.

PROVIDE CLEARANCE FOR SPACERS - IF THE INSTALLATION VEHICLE CONTAINS A CARPET OR SUBFLOOR, USE A 1-3/16" DIAMETER CARPET CUTTER (P/N: 31183-0) AT ALL MOUNTING LOCATIONS TO OPEN UP ROOM FOR SPACERS.

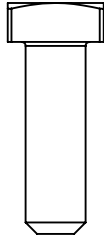
CHECK SPACER ORIENTATION - BE SURE THAT THE INDENT IN THE SPACER COVERS THE PLUSNUT HEAD; THIS ENSURES THE MOST METAL-TO-METAL CONTACT AND REDUCES VIBRATION.

PLUSNUT INSTALLATION - A PLUSNUT GUN IS RECOMMENDED FOR PLUSNUT INSTALLATION FOR ITS PRODUCTION SPEED. HOWEVER, A PLUSNUT SETTING TOOL CAN ALSO BE USED (P/N: 22200-0).

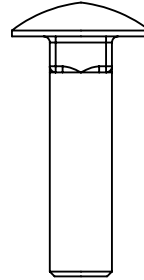
THRU-BOLT CLEARANCE - WHEN USING A THRU-BOLT AT ANY MOUNTING LOCATION, BE SURE THAT YOUR HOLE HAS 1/16" CLEARANCE.

FASTENERS AND HARDWARE USED

FAS0283
SCREW,HH
5/16-18X.875
QTY: 3



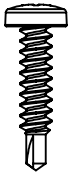
FAS0035
BOLT,SQ HD
5/16-18X1.0
QTY: 4



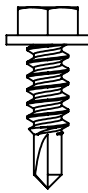
FAS0812
BOLT,CRG
5/16-18X1.25
QTY: 4



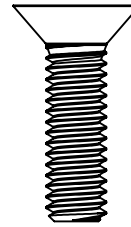
FAS0242
SCREW,HH
5/16-18X1.5
QTY: 4



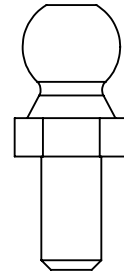
FAS0782
SCREW,THP TEK
#8X.75
QTY: 3



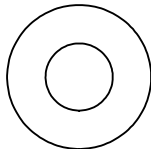
FAS0473
SCREW,HH TEK
#12X.75
QTY: 4



FAS0856
SCREW,FHH
5/16-18X1.13
QTY: 4



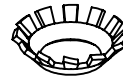
34927-0
BALL STUD
13MM X 5/16-18
QTY: 2



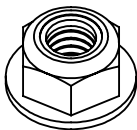
FAS0552
WASHER,FLAT
USS 5/16
QTY: 7



FAS0588
WASHER,LCK
SPLIT 5/16
QTY: 1



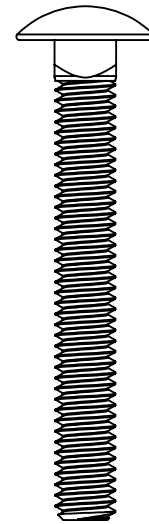
FAS0857
WASHER,LCK EXT
CS 5/16
QTY: 04



FAS0861
NUT,HEX NLK
FLG 5/16-18
QTY: 20

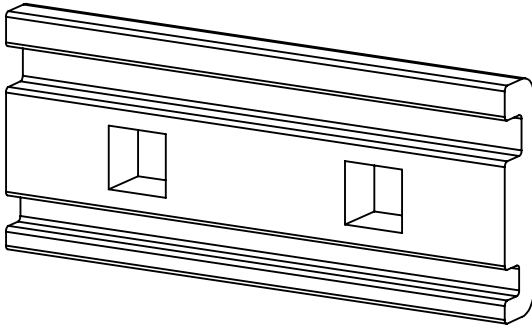


34928-0
CLIP,SPRING,
RETAINER,13MM
QTY: 4

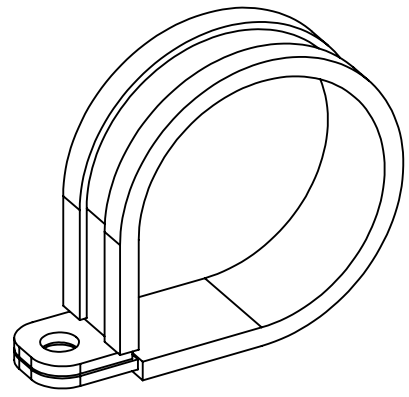


FAS0838
BOLT,CRG
5/16-18X2.5
QTY: 04

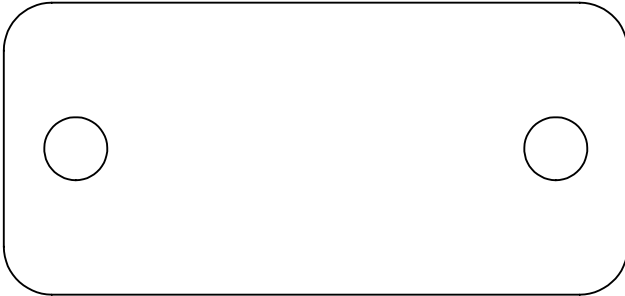
FASTENERS AND HARDWARE USED



65963
REAR ROLLER, SPACER
QTY: 4



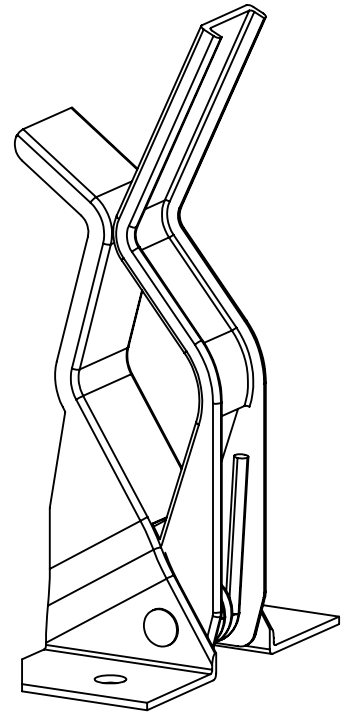
34921-0
CLAMP, CABLE 1-1/2"
QTY: 1



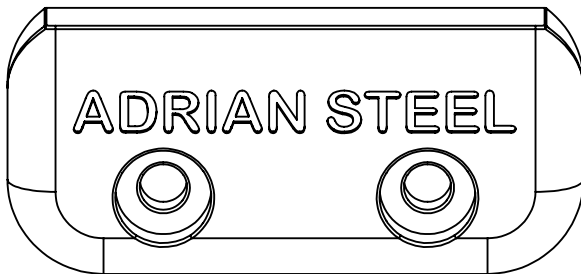
64831
REAR ROLLER, SPACER
QTY: 02



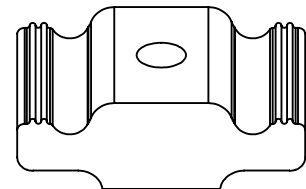
64830
REAR ROLLER, BOLT PLATE
QTY: 2



34922-0
HOLDER, TOOL
QTY: 1



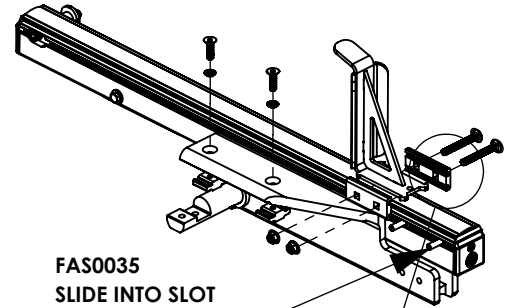
65961
DROP DOWN END CAP
QTY: 2



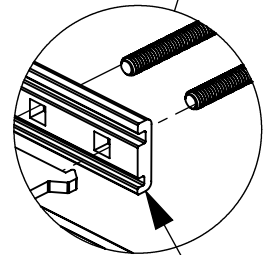
63490
RAIL SLIDE, 1"
QTY: 5

PASSENGER SIDE CARTRIDGES

FRONT SUB-ASSEMBLY



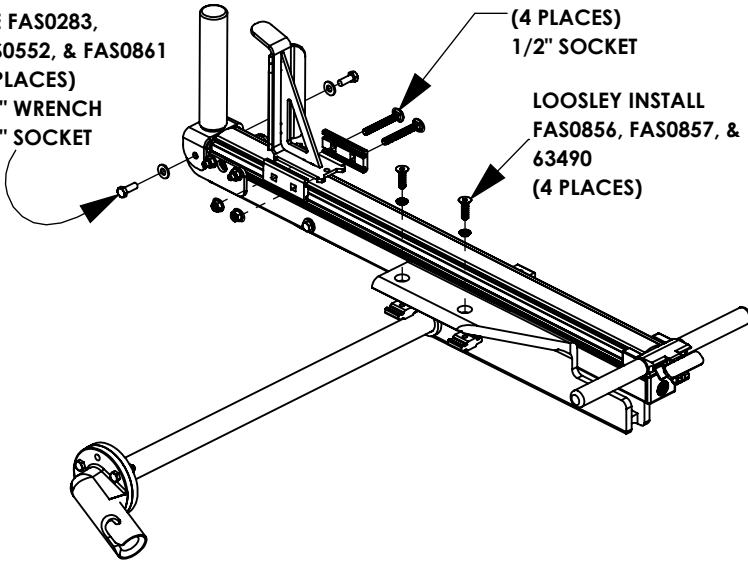
FAS0035
SLIDE INTO SLOT
(02 PLACES)



**NOTE ORIENTATION:
SMALLER CHANNEL
ON BOTTOM**

REAR SUB-ASSEMBLY

USE FAS0283,
FAS0552, & FAS0861
(2 PLACES)
1/2" WRENCH
1/2" SOCKET



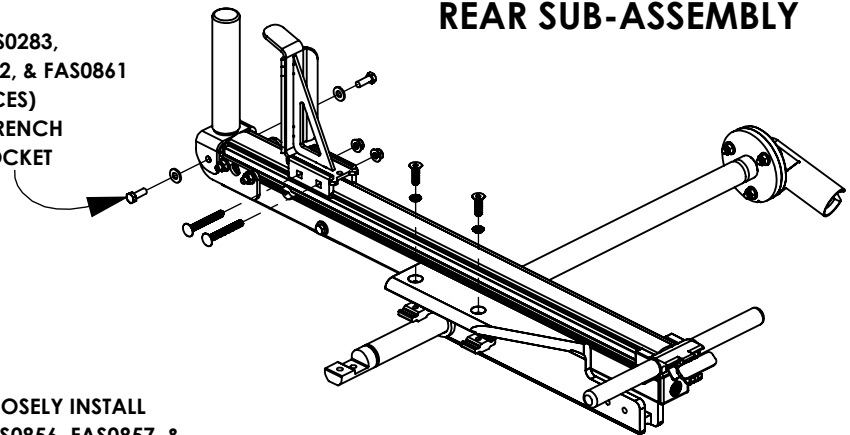
USE FAS0838 & FAS0861
(4 PLACES)
1/2" SOCKET

LOOSELY INSTALL
FAS0856, FAS0857, &
63490
(4 PLACES)

DRIVER SIDE CARTRIDGES

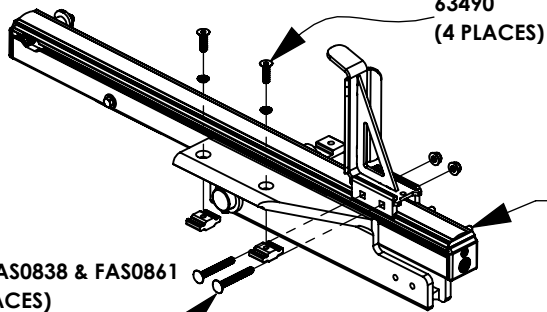
REAR SUB-ASSEMBLY

USE FAS0283,
FAS0552, & FAS0861
(2 PLACES)
1/2" WRENCH
1/2" SOCKET



FRONT SUB-ASSEMBLY

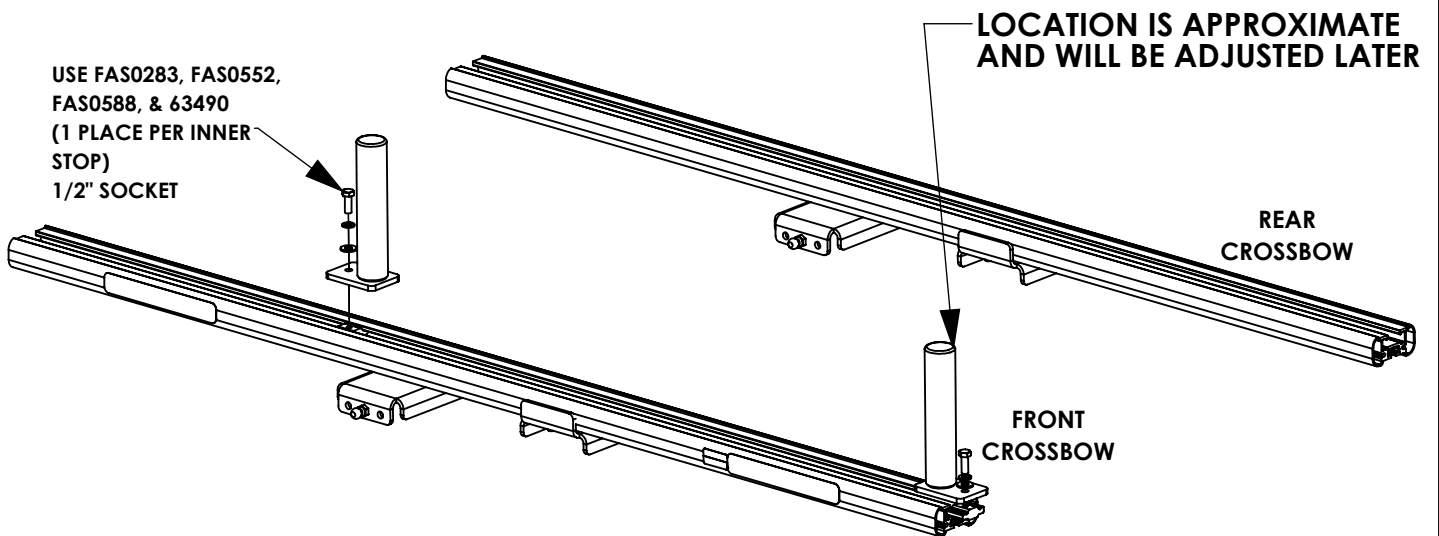
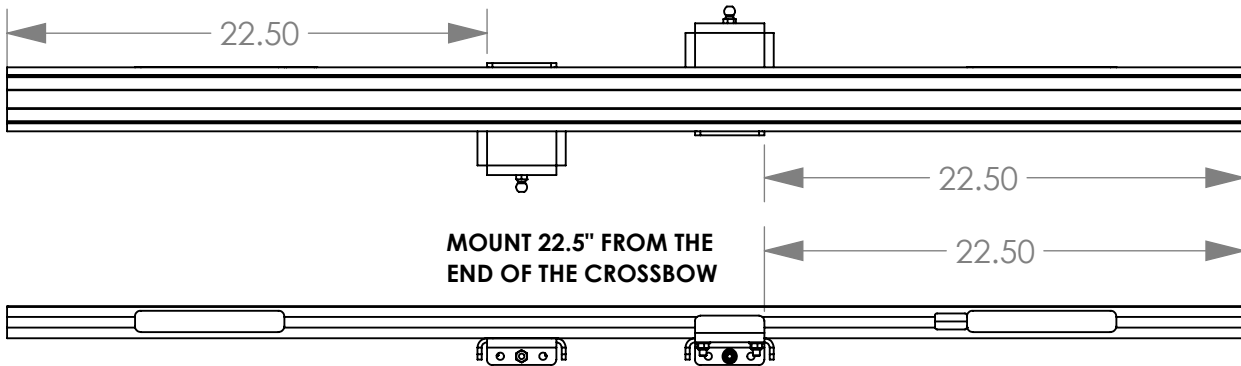
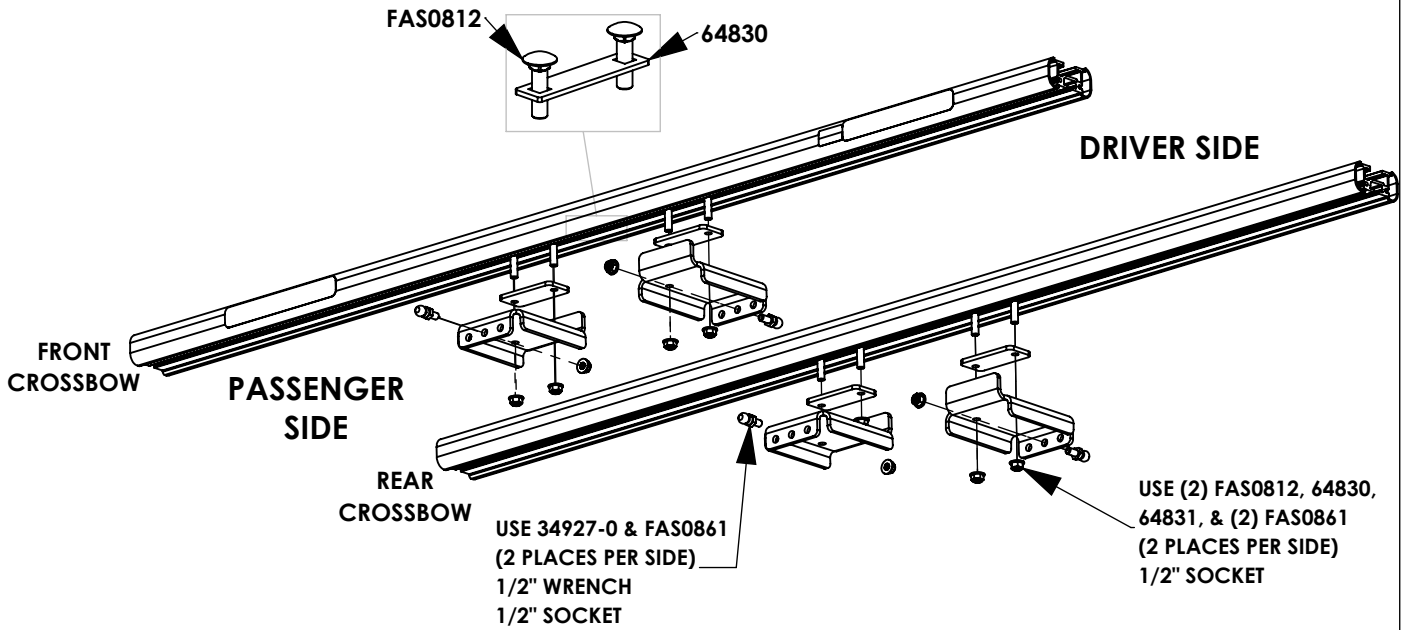
LOOSELY INSTALL
FAS0856, FAS0857, &
63490
(4 PLACES)



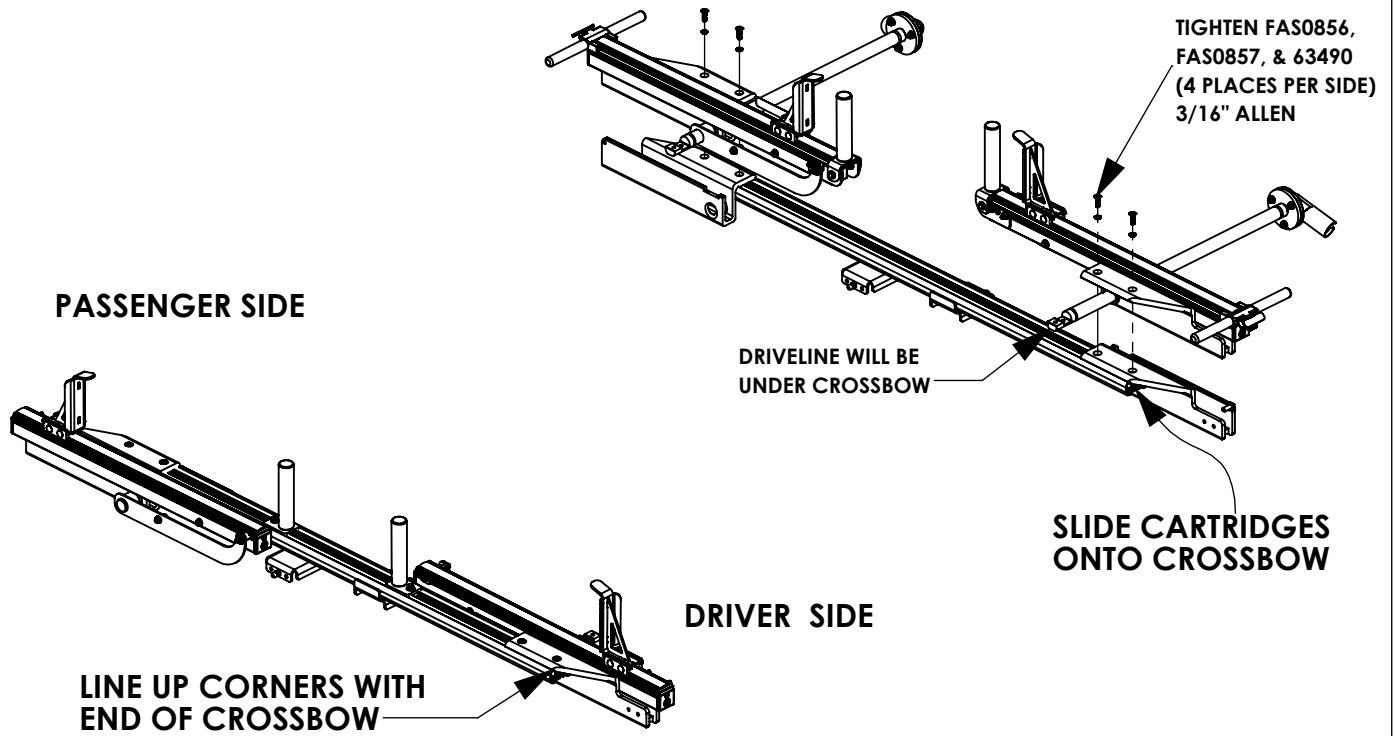
USE FAS0838 & FAS0861
(4 PLACES)
1/2" SOCKET

FAS0035
SLIDE INTO SLOT
(2 PLACES)

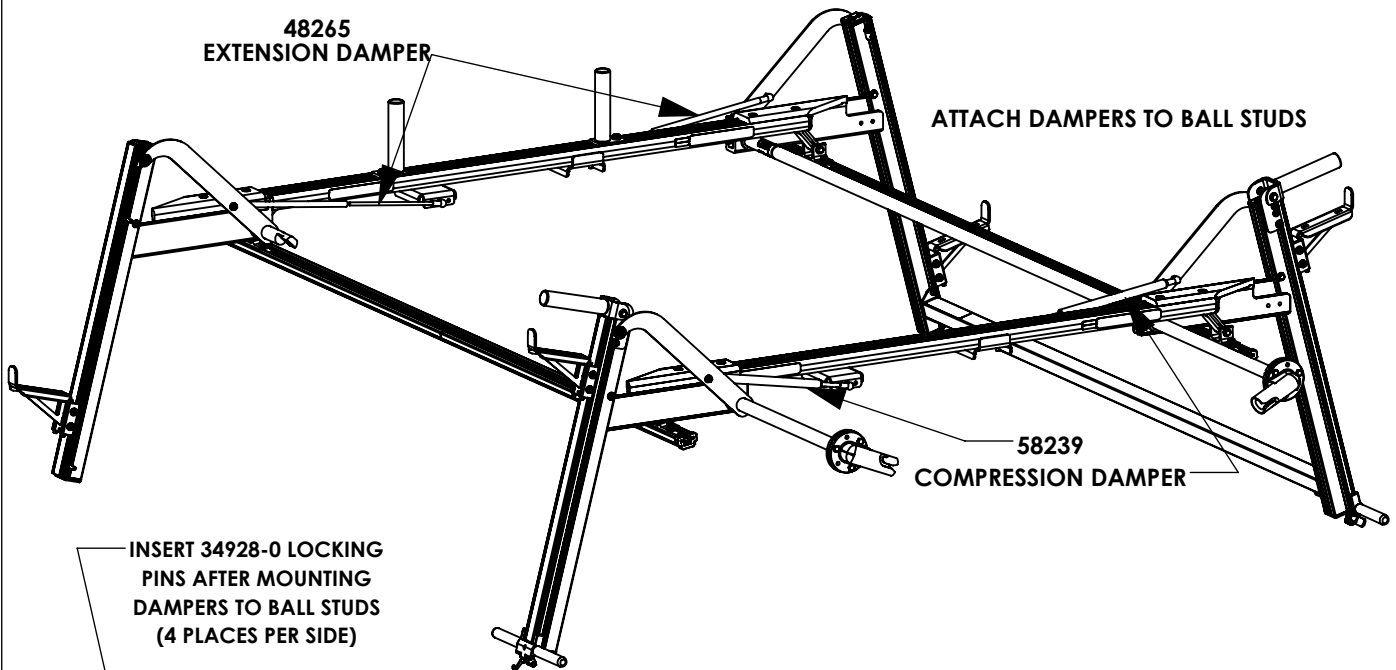
STEP 2 - MOUNT DAMPER BRACKETS AND INNER STOPS TO CROSSBOWS



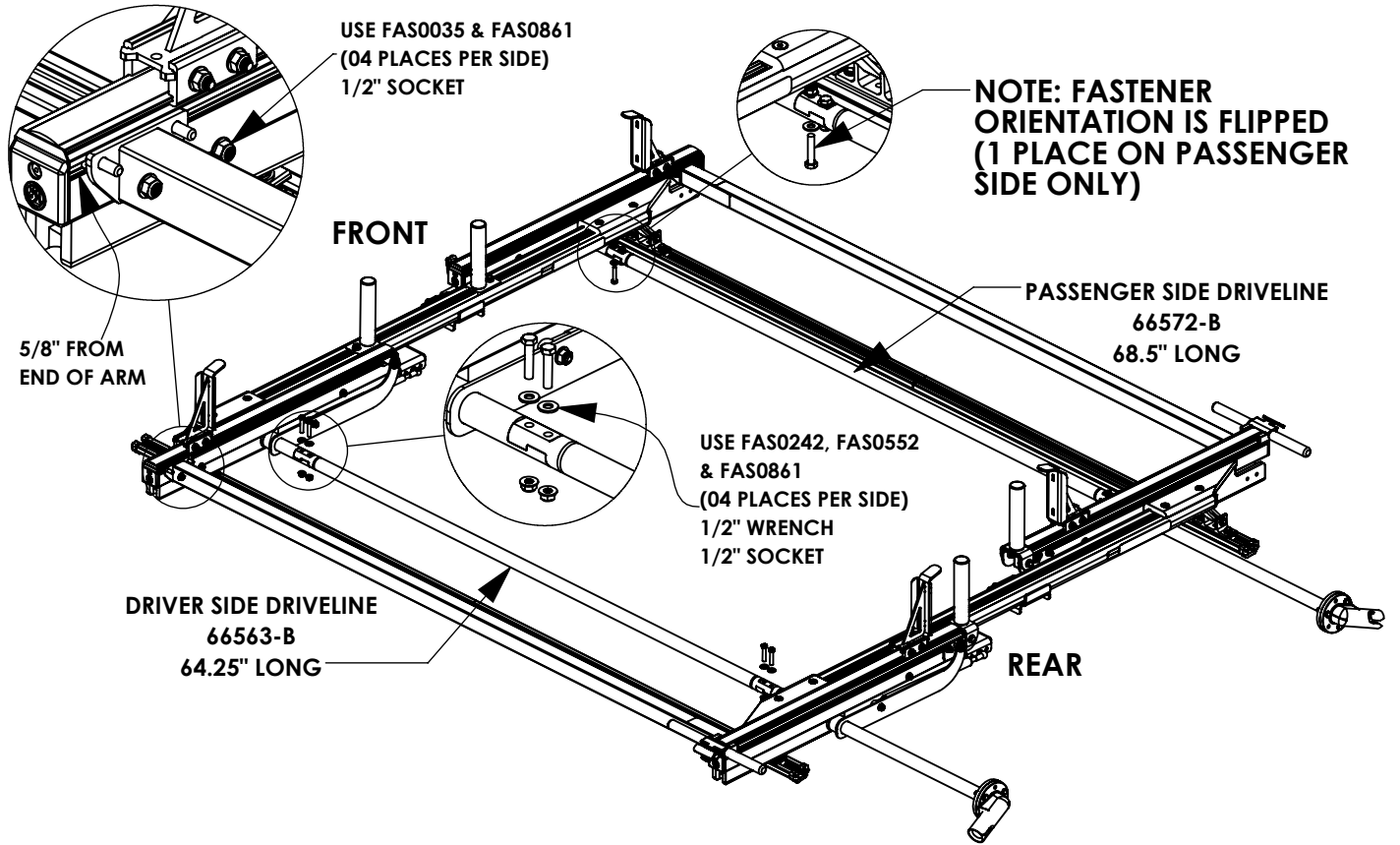
STEP 3 - INSTALL CARTRIDGES ON CROSSBOWS



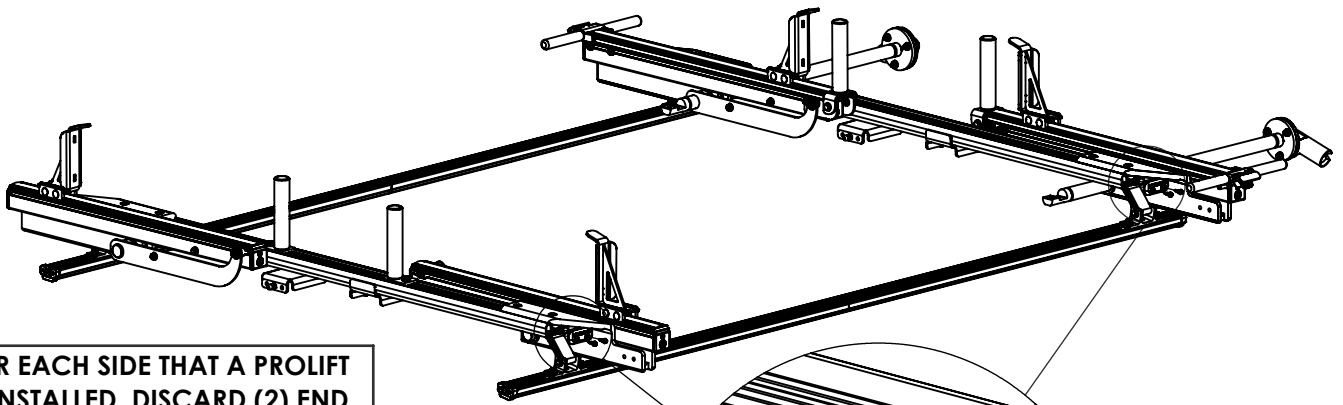
STEP 4 - INSTALL DAMPERS



STEP 5 - INSTALL O.S. BAR AND THEN THE DRIVELINE

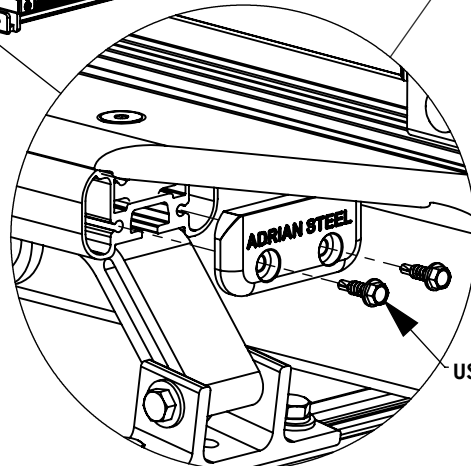


STEP 6 - INSTALL CROSSBOW END CAPS



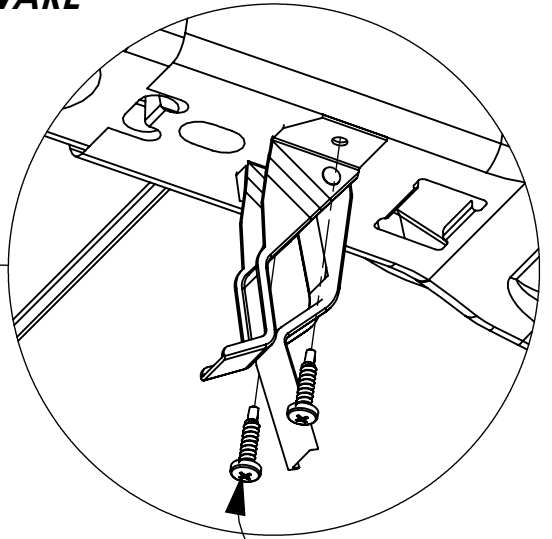
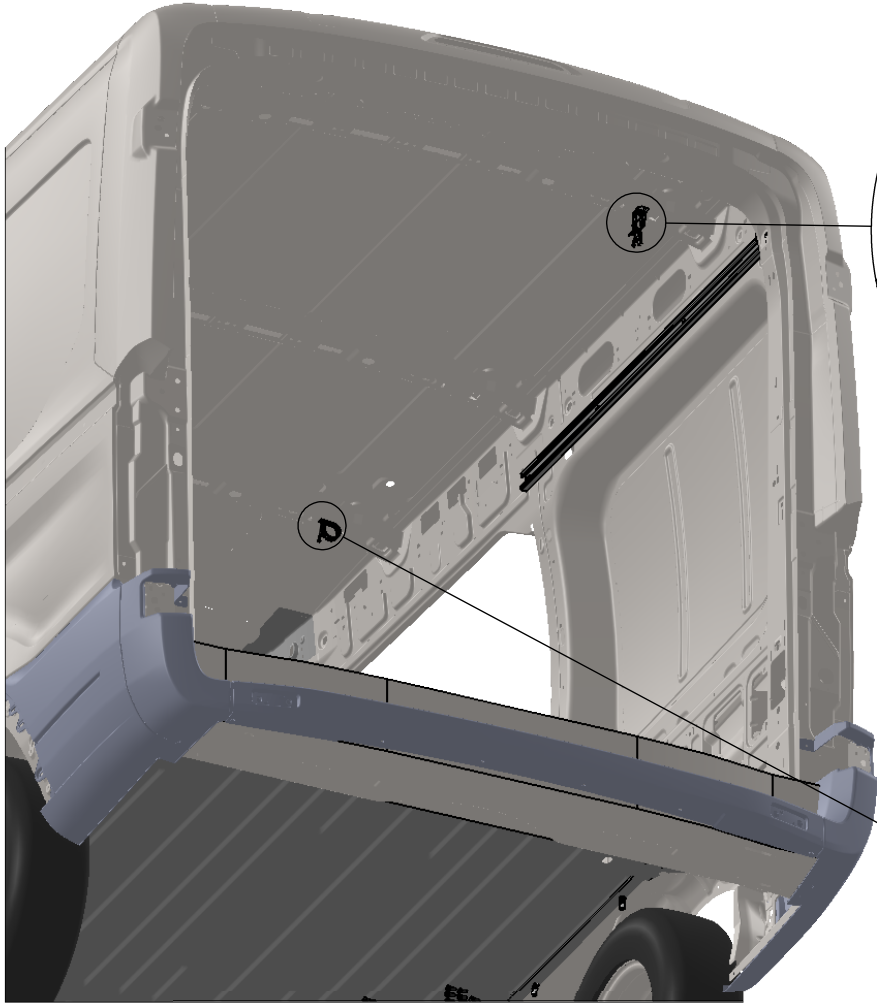
FOR EACH SIDE THAT A PROLIFT IS INSTALLED, DISCARD (2) END CAPS THAT ARE INCLUDED WITH THE CROSSBOW KIT.

SHOWN BELOW:

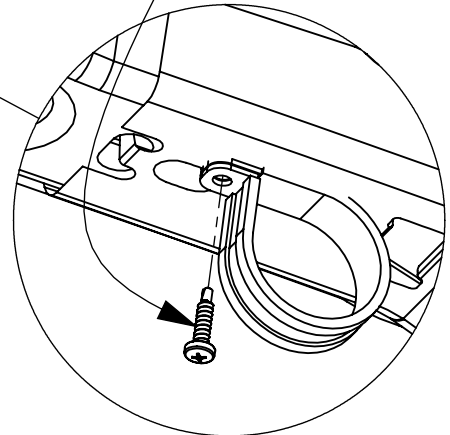


USE 65961 & (2) FAS0473
(2 PLACES PER SIDE)
3/8" SOCKET

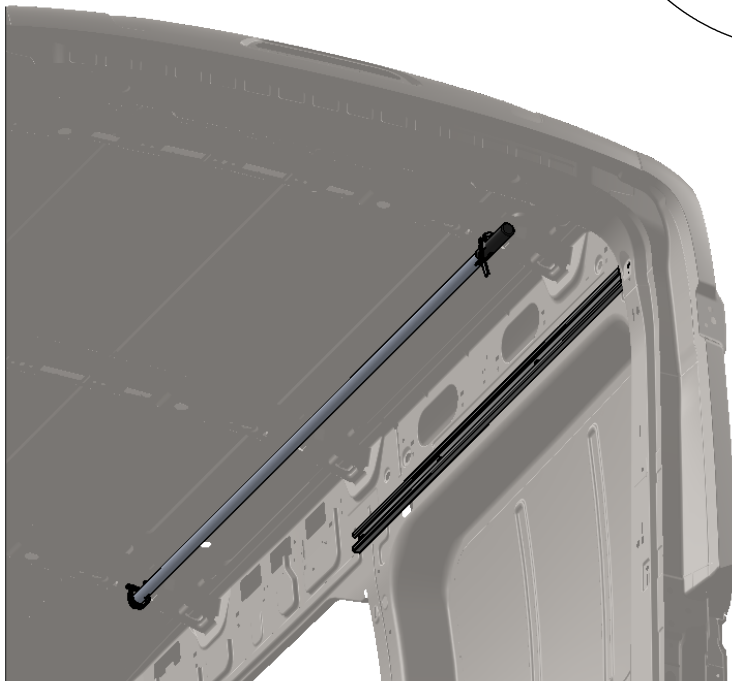
STEP 7 - INSTALL HANDLE STORAGE HARDWARE



USE FAS0782
(03 PLACES)
#2 PHILLIPS

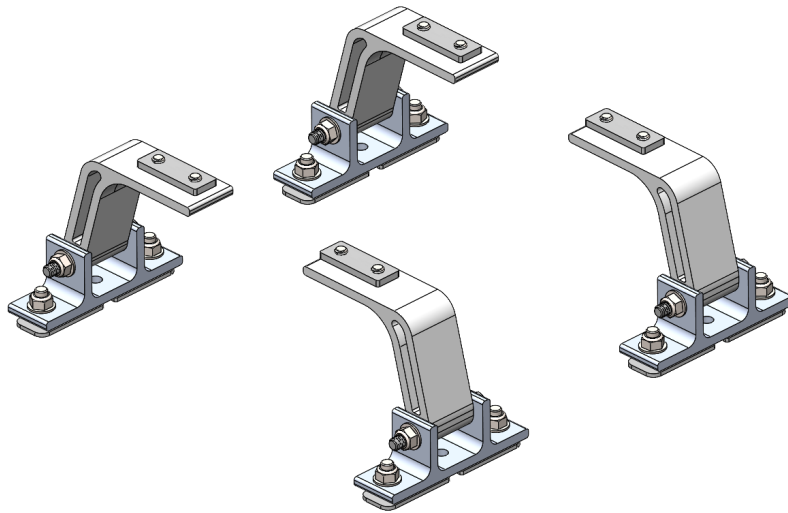


STEP 8 - CLIP HANDLE INTO STORAGE CLIP





Mounting Bracket Kit for OEM Rail, 4-Pack, White, Sprinter



PRODUCT WEIGHT
4.1 LBS

HEIGHT OFF ROOF
SEE TABLE BELOW

CAPACITY
**REFER TO OEM'S
RECOMMENDED LOAD
RATING**
COLOR

WHITE

CATALOG NUMBER

SPRMBK4W

PRODUCT FEATURES

Mercedes Sprinter aluminum mounting bracket kit for the PROFILE™ HD Utility, grip lock, drop down, and combo ladder racks. Mounting kit works for low roof vehicles with the OEM roof rail option.

Utility and grip lock racks are not recommended for high roof vehicles!

SEE PAGE 2 FOR APPLICATION NOTES AND ACCESSORIES, OTHER PRODUCTS THAT WORK WITH THIS UNIT.

PAGE 1 of 2

The information contained in this document is the sole property of ADRIAN STEEL COMPANY. ADRIAN STEEL COMPANY retains the right to modify and/or change the product of its design at any time without prior notification.



CATALOG NUMBER **SPRMBK4W**

PRODUCT APPLICATION

This product is designed to be installed on Mercedes Sprinter vans with OEM roof rail option. HD Utility and grip lock racks are not recommended for high roof vehicles!

ACCESSORIES THAT WILL WORK WITH THIS PRODUCT

CATALOG NUMBER	DESCRIPTION	CATALOG NUMBER	DESCRIPTION
SPRMBK2W	Mounting Bracket Kit for OEM Rail, 2-Pack, White, Sprinter	4UPK4B	4" Upright Kit, 4-Pack, Black
2BARW	2-Crossbar Kit, 68", White, Full Size Van	4UPK2B	4" Upright Kit, 2-Pack, Black
1BARW	Single Crossbar Kit, 68", White, Full Size Van	6UPK4B	6" Upright Kit, 4-Pack, Black
70-1NGLR	4" End Cap for PVC Conduit	6UPK2B	6" Upright Kit, 2-Pack, Black
70-2NGLR	6" End Cap for PVC Conduit	9UPK4B	9" Upright Kit, 4-Pack, Black
80-1NGLR	Conduit Kit, 10w x 6h x 126d, Multiple Vehicles	9UPK2B	9" Upright Kit, 2-Pack, Black
80-2NGLR	Conduit Kit, 10w x 6h x 150d, Multiple Vehicles	RSK1B	Single Ratchet Upright Kit, 9"
		ULSKB	Single Ladder Stop Kit

LADDER RACK HEIGHTS MEASURED FROM ROOF OF VEHICLE

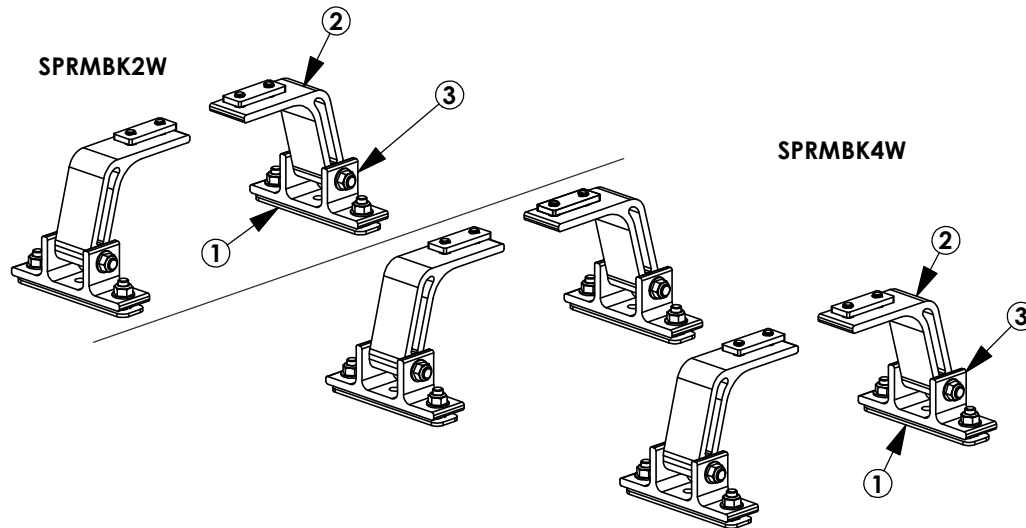
CONFIGURATION	RACK HEIGHT LOW / HIGH ROOF
Base Rack	5" / 5.6"
Base + Ladder Stop	10.5" / 11.1"
Base + 4" Uprights	8.5" / 9.1"
Base + 6" Uprights	10.5" / 11.1"
Base + 9"/Ratchet Uprights	13.5" / 14.1"
Base + 4" PVC Conduit Kit	9.4" / 10"
Base + 6" PVC Conduit Kit	11.4" / 12"
Base + Aluminum Box Conduit Kit	11.5" / 12.1"

INSTR. NUMBER : 64712	PG: 1	REV: D	ITEM NO.	PART NUMBER	DESCRIPTION	SPRMBK4W	SPRMBK2W
PART NUMBER : SPRMBK			1	63911	UTILITY, PM MOUNT PLATE	4	2
			2	68202-W	PROFILE, MOUNTING ARM, W	4	2
			3	63852-W	UTILITY, MOUNTING BRKT, W	4	2
PART DESC. : UTILITY,MNT BKT,SP RL			4	68042	PROFILE FOOT MOUNTING PLATE	2	-
			5	FAS0857	WASHER,LCK EXT CS 5/16 SS	5	-
			6	FAS0858	SCREW,FHH 5/16-18X.63 SS	5	-

NOTE: THIS INSTRUCTION IS VALID FOR THE FOLLOWING KITS TO MOUNT TO THE SPRINTER OEM ROOF RAIL:

**-PART NUMBERS WITH "-W" SUFFIX ARE PAINTED WHITE
-FOR BLACK MOUNTING KITS, REPLACE "-W" PARTS WITH "-B" PARTS**

- SPRMBK4W
- SPRMBK2W
- SPRMBK4B
- SPRMBK2B



GET TO KNOW THE VEHICLE - AT THE BEGINNING OF ANY INSTALLATION, CHECK THE LOCATION OF THE FUEL TANK, FUEL LINES, BRAKE LINES, HIGH VOLTAGE BATTERIES AND WIRING HARNESSSES TO AVOID INJURY OR PROPERTY DAMAGE FROM TOOL CONTACT.

SEAL ALL EXTERIOR HOLES - ALL INSTALLATION HOLES SHOULD BE SEALED WITH BUTYL TAPE OR SILICON TO PREVENT WATER AND EXHAUST GASES FROM ENTERING THE VEHICLE.

CONTROL DRILL DEPTH - TO AVOID DAMAGE TO THE VEHICLE, USE A DRILL STOP OR CLEARED STEP BIT WHEN DRILLING INSTALLATION HOLES.

ALWAYS ADD PRIMER - WHEN ADDING INSTALLATION HOLES BE SURE TO USE A SELF-ETCHING PRIMER TO PREVENT CORROSION, FASTENER FAILURE AND INJURY.

MOUNTING POINTS MUST HAVE METAL-TO-METAL CONTACT - USE PROVIDED MOUNTING SPACERS TO ACCOMMODATE FOR VEHICLE FEATURES, CARPET OR SUBFLOORS.

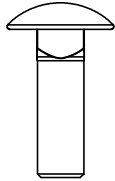
PROVIDE CLEARANCE FOR SPACERS - IF THE INSTALLATION VEHICLE CONTAINS A CARPET OR SUBFLOOR, USE A 1-3/16" DIAMETER CARPET CUTTER (P/N: 31183-0) AT ALL MOUNTING LOCATIONS TO OPEN UP ROOM FOR SPACERS.

CHECK SPACER ORIENTATION - BE SURE THAT THE INDENT IN THE SPACER COVERS THE PLUSNUT HEAD; THIS ENSURES THE MOST METAL-TO-METAL CONTACT AND REDUCES VIBRATION.

PLUSNUT INSTALLATION - A PLUSNUT GUN IS RECOMMENDED FOR PLUSNUT INSTALLATION FOR ITS PRODUCTION SPEED. HOWEVER, A PLUSNUT SETTING TOOL CAN ALSO BE USED (P/N: 22200-0).

THRU-BOLT CLEARANCE - WHEN USING A THRU-BOLT AT ANY MOUNTING LOCATION, BE SURE THAT YOUR HOLE HAS 1/16" CLEARANCE.

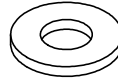
FASTENERS USED



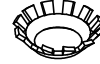
FAS0398
5/16-18X1.0 SS
CRG BOLT
QTY: 8



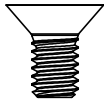
FAS0861
5/16-18 SS
HH FLG NUT
QTY: 12



FAS0552
5/16 SS
FLAT WASHER
QTY: 4



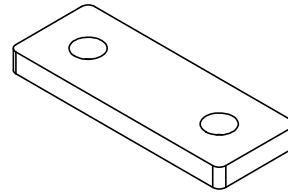
FAS0857
5/16 SS
WASHER,LCK EXT CS
QTY: 8



FAS0858
5/16-18X.63
FHH SCREW
QTY: 8



FAS0243
5/16-18X2.5 SS
HH SCREW
QTY: 4

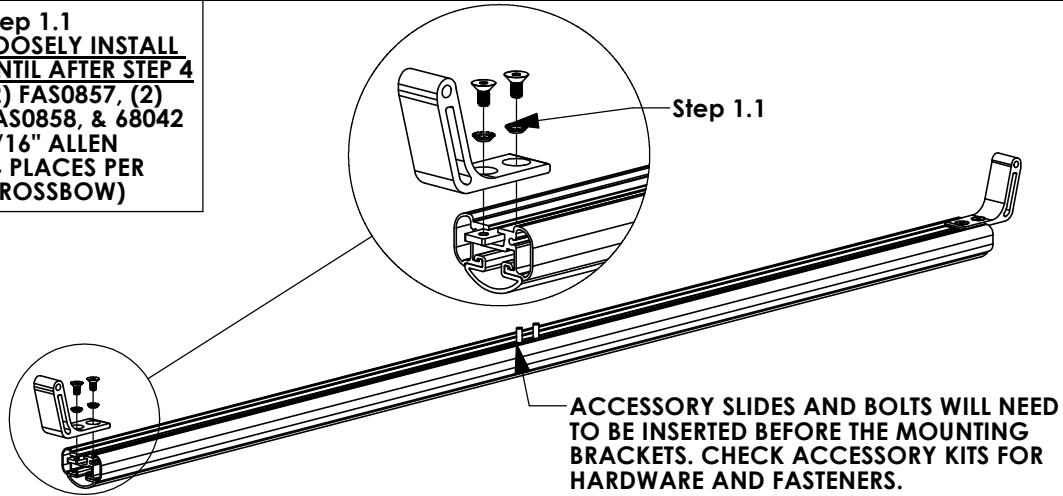


68042
PROFILE FOOT
MOUNTING PLATE
QTY: 4

INTENTIONALLY LEFT BLANK

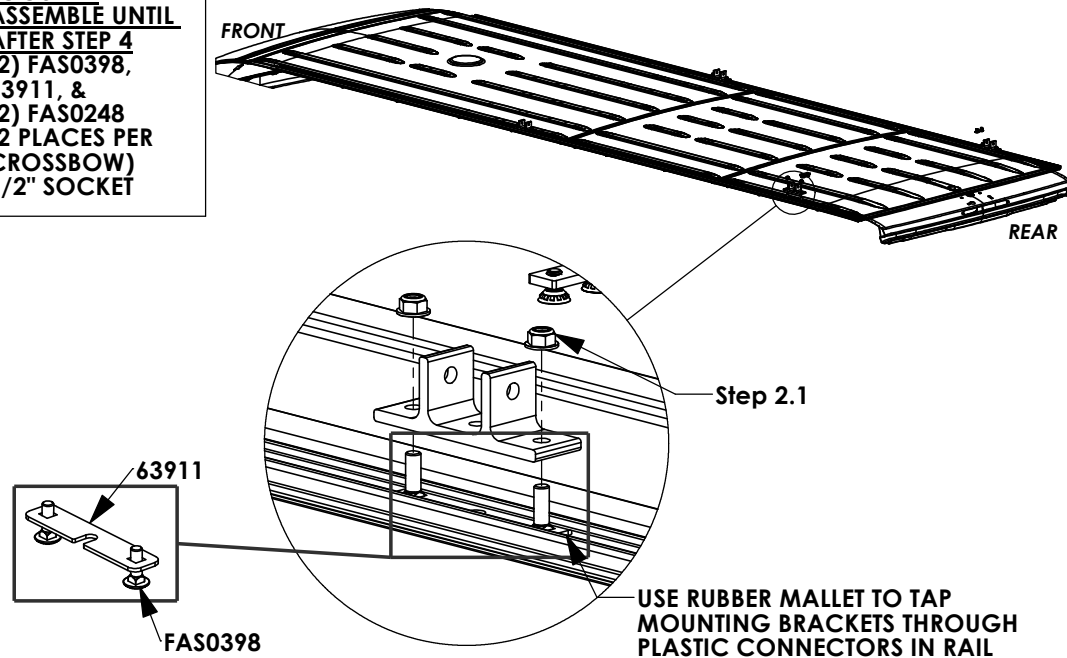
STEP 1 - ASSEMBLE MOUNTING ARMS TO CROSSBOW

Step 1.1
LOOSELY INSTALL
UNTIL AFTER STEP 4
(2) FAS0857, (2)
FAS0858, & 68042
3/16" ALLEN
(4 PLACES PER
CROSSBOW)



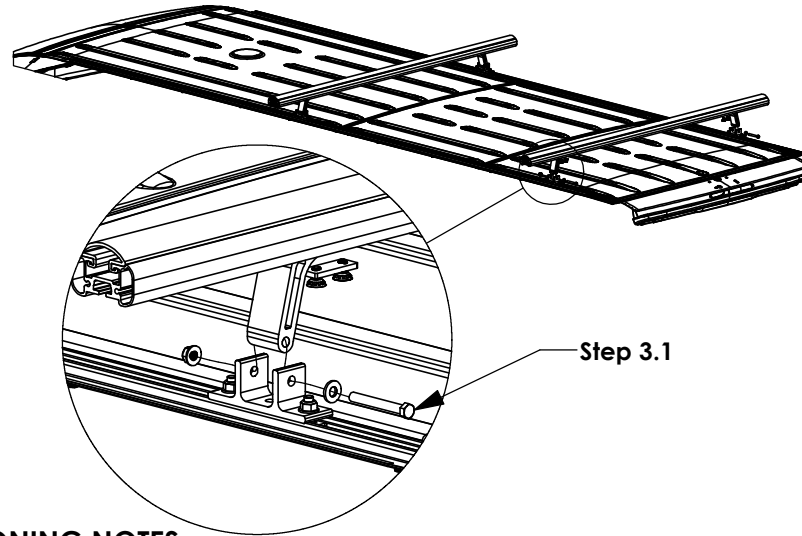
STEP 2 - INSTALL MOUNTING BRACKETS TO VAN ROOF

Step 2.1:
LOOSELY
ASSEMBLE UNTIL
AFTER STEP 4
(2) FAS0398,
63911, &
(2) FAS0248
(2 PLACES PER
CROSSBOW)
1/2" SOCKET



STEP 3 - ATTACH CROSSBOW ASSEMBLY TO ROOF

Step 3.1
LOOSELY ASSEMBLE
UNTIL AFTER STEP 4
FAS0243, FAS0552,
& FAS0861
(2 PLACES PER
CROSSBOW)
1/2" SOCKET
1/2" WRENCH



CROSSBOW POSITIONING NOTES:

HD UTILITY RACK -

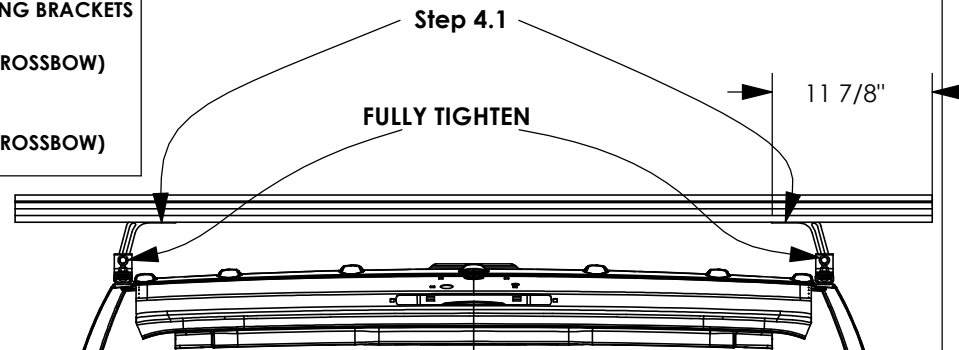
REAR CROSSBOW - REARWARD AS POSSIBLE
FRONT CROSSBOW- POSITION TO BEST FIT END USER'S PRODUCT

GRIP LOCK/PROLIFT LADDER RACKS -

REFER TO RESPECTIVE INSTRUCTION FOR CROSSBOW PLACEMENT.

STEP 4 - SECURE CROSSBOW

Step 4.1
CENTER CROSSBOW AND
SECURE MOUNTING BRACKETS
3/16" ALLEN
(4 PLACES PER CROSSBOW)
1/2" SOCKET
1/2" WRENCH
(2 PLACES PER CROSSBOW)



AFTER POSITIONING CROSSBOWS, FULLY TIGHTEN FASTENERS FROM STEP 1, 2 & 3



2-Crossbar Kit, 58", White, Minivan



PRODUCT WEIGHT
16.1 LBS

CROSSBOW LENGTH X
HEIGHT

59" x 2"

CAPACITY

**REFER TO OEM'S
RECOMMENDED LOAD
RATING**

COLOR

WHITE

CATALOG NUMBER

2BARCW

PRODUCT FEATURES

Aluminum base 2-crossbow kit for PROFILE™ HD Utility, grip lock, drop down, or combo ladder racks. Works with all compact van platforms for each respective wheelbase and Ford Transit Ship Thru. Works with and without OEM specific rail kit and generic mounting bracket kits.

Optional uprights and conduit kits available.

Please refer to OEM specific mounting kit or rail kit for additional information on compatible accessories.

INSTALLATION GUIDE FOR PROFILE™ SERIES LADDER RACKS

INSTRUCTION #:
68895

REV:
B

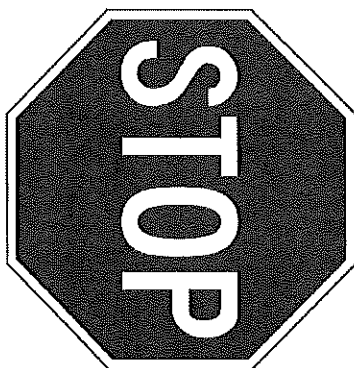
THIS INSTRUCTION PROVIDES A GENERAL GUIDE OF INSTALLATION SEQUENCE FOR ALL PROFILE™ SERIES LADDER RACKS. PLEASE ENSURE ALL ACCESSORIES ARE INSTALLED PER TYPE OF RACK BEFORE PROCEEDING TO NEXT PAGE.

REFERENCE THIS INSTRUCTION THROUGHOUT THE ENTIRETY OF YOUR INSTALL TO PREVENT ACCESSORIES BEING INSTALLED INCORRECTLY/OUT OF SEQUENCE!

STEPS 21 - 81 ON PAGE 3 IS THE RECOMMENDED ASSEMBLY SEQUENCE FOR A FULL TABLE ASSEMBLY BEFORE INSTALLING ON THE ROOF OF THE VEHICLE.

STEPS 2R - 8R ON PAGE 4 IS AN ALTERNATE ASSEMBLY SEQUENCE TO INSTALL THE RACK ON THE VEHICLE ROOF AS IT IS BUILT.

PLEASE SELECT THE ASSEMBLY SEQUENCE THAT BEST WORKS FOR YOU!

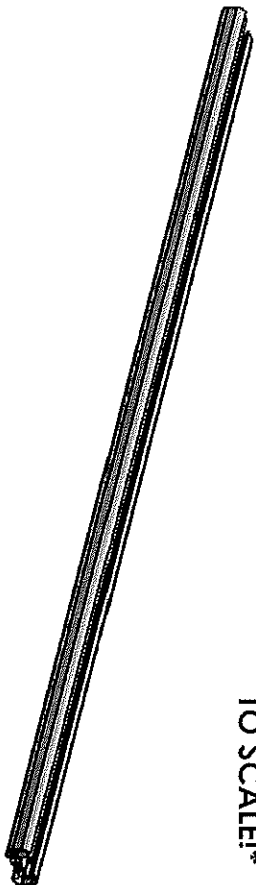


ASSEMBLY STEPS:

STEP 1A. SUB-ASSEMBLE EACH CROSSBOW WITH DESIRED ACCESSORIES FOR SECTIONS A.1 & A.2.

INSTRUCTIONS FOR EACH KIT CAN BE FOUND IN THEIR RESPECTIVE CARTON!

TOP OF CROSSBOW *IMAGE NOT TO SCALE!



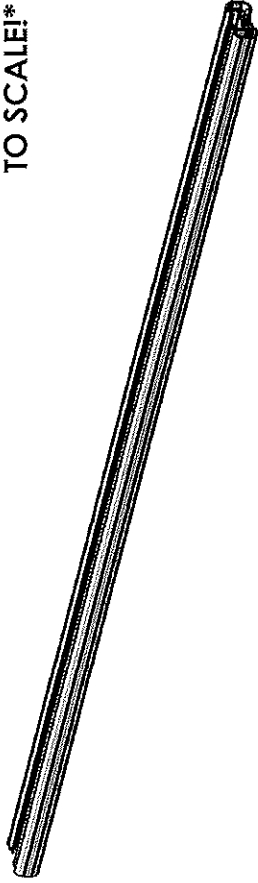
BOTTOM OF CROSSBOW

TABLE 1

TOP OF CROSSBOW		COMPONENTS TO INSTALL
HD UTILITY		- CONDUIT KIT OR BEACON
Grip-Lock		- CONDUIT KIT OR BEACON
ProLift		- CONDUIT KIT OR BEACON
BOTTOM OF CROSSBOW		
COMPONENTS TO INSTALL		
HD UTILITY		- LADDER STOP, STROBE BRACKET, AND/OR REAR ROLLER
Grip-Lock		- Grip-Lock SUB-ASSEMBLY
ProLift		- DAMPER BRACKET

STEP 1B. SUB-ASSEMBLE EACH CROSSBOW WITH DESIRED ACCESSORIES FOR SECTIONS B.1 & B.2. INSTRUCTIONS FOR EACH KIT CAN BE FOUND IN THEIR RESPECTIVE CARTON!

TOP OF CROSSBOW *IMAGE NOT TO SCALE!*



BOTTOM OF CROSSBOW

TABLE 2

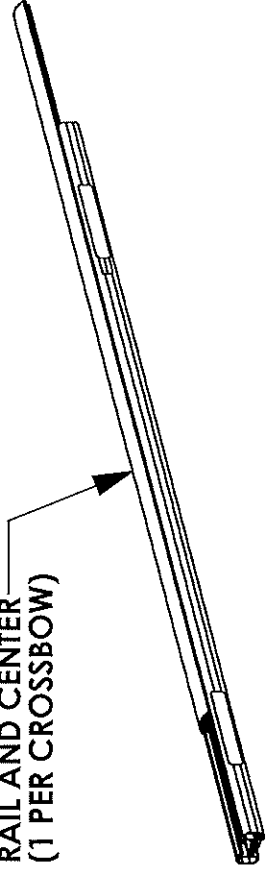
TOP OF CROSSBOW	
	COMPONENTS TO INSTALL
HD UTILITY	- WEAR STRIP (MODIFY IF NECESSARY, TABLE 3)
Grip-Lock	- WEAR STRIP (MODIFY IF NECESSARY, TABLE 3)
ProLift	- INNER STOP POST
BOTTOM OF CROSSBOW	
	COMPONENTS TO INSTALL
HD UTILITY	- MOUNTING BRACKETS
Grip-Lock	- MOUNTING BRACKETS
ProLift	- MOUNTING BRACKETS

ALTER WEAR STRIP AND INSTALL ON CROSSBOW (IF APPLICABLE)! REFERENCE TABLE 3 BELOW FOR WEAR STRIP ALTERATION INSTRUCTIONS!

TABLE 3

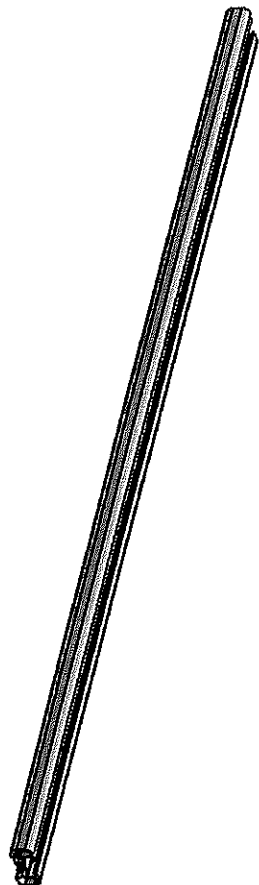
ADDED ACCESSORIES	ALTERATION FOR WEAR STRIP
4" UPRIGHT***	REMOVE 2" FROM END OF WEAR STRIP
4" PVC CONDUIT KIT	REMOVE 7.25" FROM CENTER OF WEAR STRIP
6" PVC CONDUIT KIT	REMOVE 9.50" FROM CENTER OF WEAR STRIP
ALUMINUM BOX CONDUIT KIT	REMOVE 13.25" FROM CENTER OF WEAR STRIP
BEACON	REMOVE 4" FROM CENTER OF WEAR STRIP
ProLift (SINGLE SIDE)	CUT WEAR STRIP IN HALF, DO NOT INSTALL ON ProLift SIDE
ProLift (DUAL SIDE)	DO NOT INSTALL WEAR STRIP

SLIDE WEAR STRIP INTO RAIL AND CENTER (1 PER CROSSBOW)



STEP 1C SUB-ASSEMBLE EACH CROSSBOW WITH DESIRED ACCESSORIES FOR SECTIONS C.1 & C.2

TOP OF CROSSBOW
IMAGE NOT TO SCALE!



BOTTOM OF CROSSBOW

TABLE 4

TOP OF CROSSBOW		COMPONENTS TO INSTALL
	HD UTILITY	- 4" UPRIGHT
C.1	Grip-Lock	- N/A
	Prolift	- SLIDES FOR BASE EXTRUSION
BOTTOM OF CROSSBOW		
	COMPONENTS TO INSTALL	
	HD UTILITY	- UPRIGHTS (6", 9", RATCHET)
C.2	Grip-Lock	- STROBES
	Prolift	- STROBES

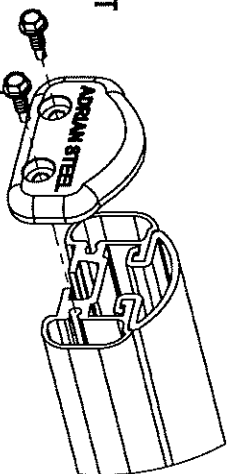
ASSEMBLY STEPS (FULL BENCH ASSEMBLY):

- 2T. ADD DRIVELINES (IF INSTALLING Prolift)
- 3T. ADD HANDLES (IF INSTALLING Grip-Lock OR Prolift) AND DAMPERS (IF INSTALLING Prolift)
- 4T. ADD OUTER SUPPORT BARS (IF INSTALLING Grip-Lock OR Prolift)
- 5T. ADD STEP LADDER KIT (Grip-Lock OR Prolift ONLY)

6T. ASSEMBLE ENDS CAPS TO CROSSBOW

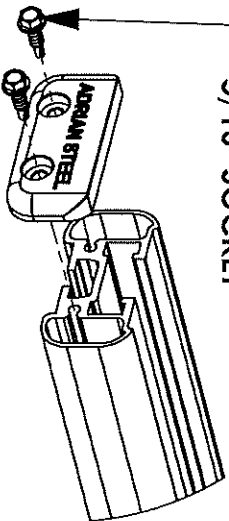
USED FOR HD UTILITY & Grip-Lock RACKS

LOCATED IN CROSSBOW KIT



FULLY TIGHTEN
(2) FAS0473, 63851
(2 PLACES PER END CAP)
5/16" SOCKET

USED FOR Prolift RACKS
LOCATED IN Prolift Kit



7T. INSTALL ROOF RAIL KIT ON VEHICLE ROOF OR BOTTOM MOUNTING BRACKETS

(ROOF RAIL KIT REQUIRED FOR Grip-Lock & Prolift OPTIONAL FOR HD UTILITY, NOT NEEDED FOR GM LADDER RACKS)

8T. MOUNT CROSSBOW SUB-ASSEMBLIES FROM STEP 1 TO VEHICLE/MOUNTING BRACKET, OR ROOF RAIL (LOOSE INSTALL)

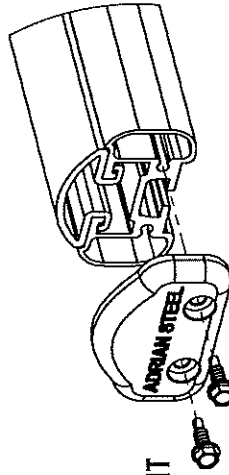
ALTERNATE ASSEMBLY METHOD!
(ASSEMBLE ON VEHICLE ROOF):

- 2R. INSTALL ROOF RAIL KIT ON VEHICLE ROOF OR BOTTOM MOUNTING BRACKETS
(ROOF RAIL KIT REQUIRED FOR Grip-Lock & ProLift, OPTIONAL FOR HD UTILITY, NOT NEEDED FOR GM LADDER RACKS)
- 3R. MOUNT CROSSBOW SUB-ASSEMBLIES FROM STEP 1 TO VEHICLE/MOUNTING BRACKET, OR ROOF RAIL (LOOSE INSTALL)
- 4R. ADD DRIVELINES (IF INSTALLING ProLift)
- 5R. ADD HANDLES (IF INSTALLING Grip-Lock OR ProLift) AND DAMPERS (IF INSTALLING ProLift)
- 6R. ADD OUTER SUPPORT BARS (IF INSTALLING Grip-Lock OR ProLift)
- 7R. ADD STEP LADDER KIT (Grip-Lock OR ProLift ONLY!)

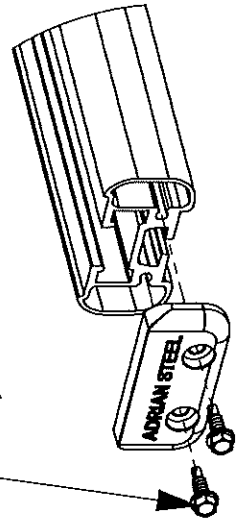
8R. ASSEMBLE END CAPS TO CROSSBOW

USED FOR HD UTILITY & Grip-Lock RACKS

LOCATED IN CROSSBOW KIT



FULLY TIGHTEN
(2) FAS0473, 63851
(2 PLACES PER END CAP)
5/16" SOCKET



USED FOR ProLift RACKS
LOCATED IN ProLift Kit