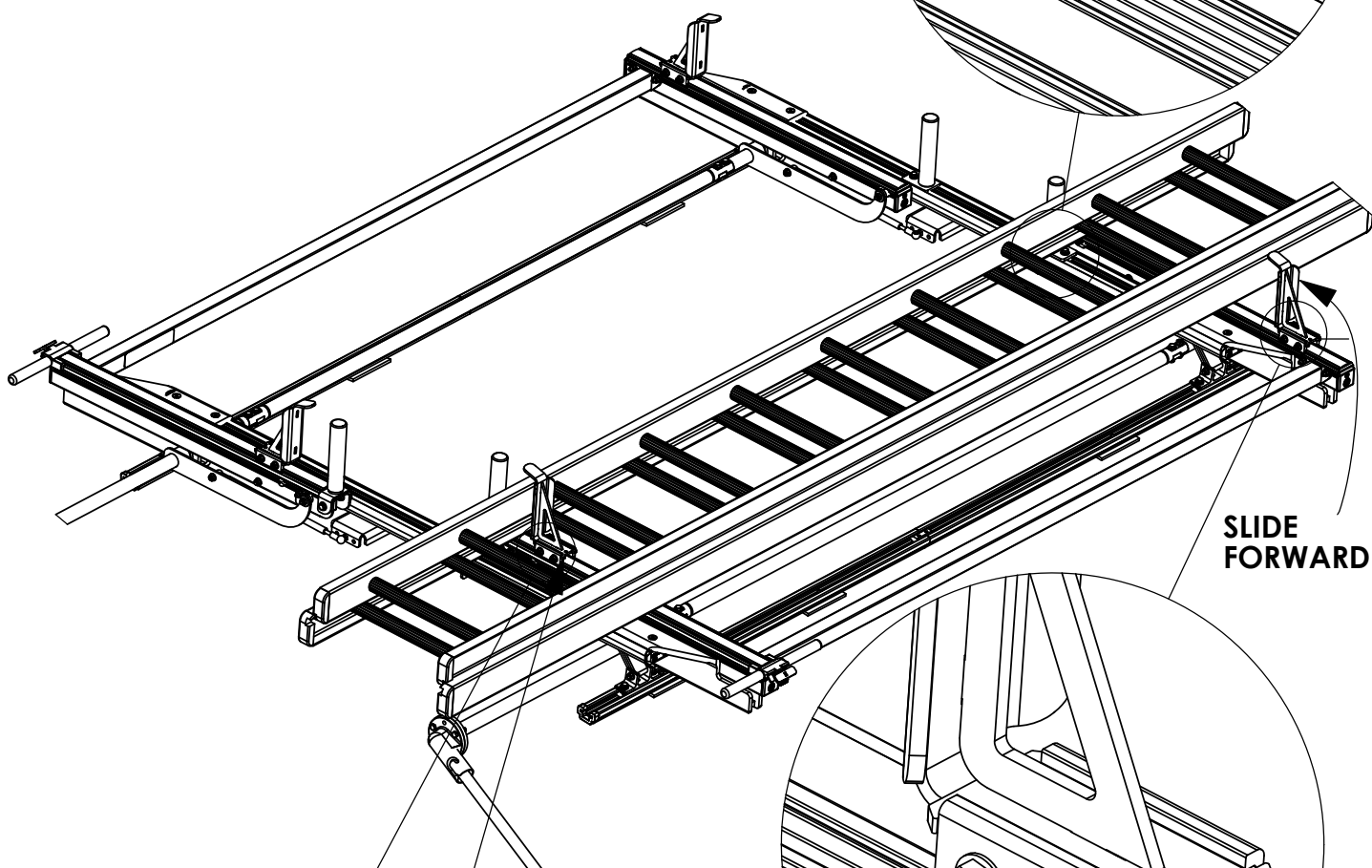
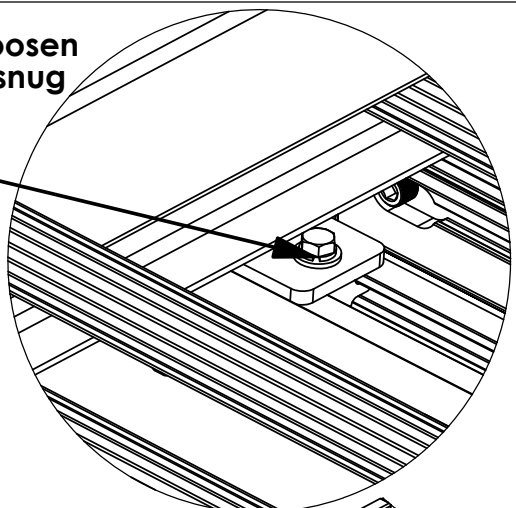


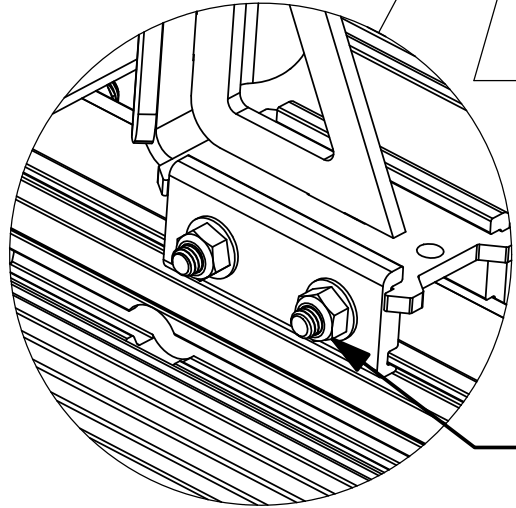
INSTR. NUMBER : <b>69483</b>	PG: <b>1</b>	REV: <b>A</b>
PART NUMBER • <b>Max Drop ProLift - Low &amp; Mid-Roof</b>		
PART • ProLift Low & Mid-Roof DESC. • Adjustment Instructions		

**Step 2: With 1/2" Socket loosen nut, slide post so that it is snug against ladder  
Tighten nut**

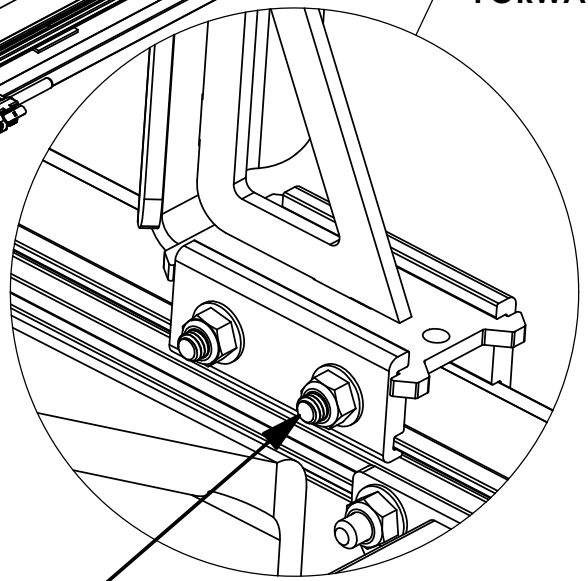


**SLIDE FORWARD**

**SLIDE FORWARD**



**Step 1: With 1/2" Socket loosen nuts (x2) slide clamp so that it is snug against ladder  
Tighten nuts (X2)**

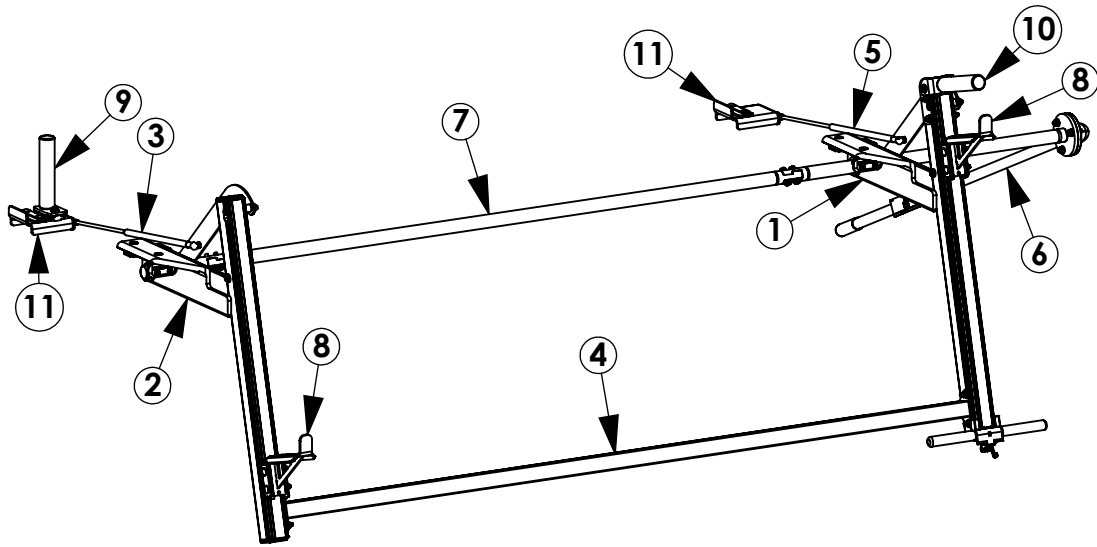


**Step 3: With 1/2" Socket loosen nuts (x2) slide clamp so that it is snug against outside of ladder  
Tighten nuts (X2)**

**Once all brackets are adjusted operate rack to make sure clamps are not too tight**

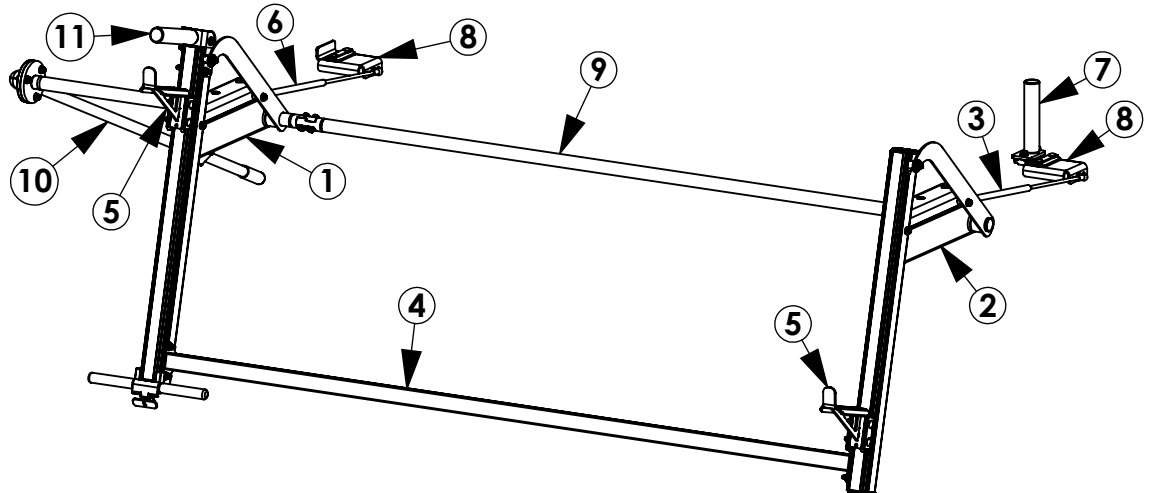
INSTR. NUMBER : <b>68499</b>	PG: <b>1</b>	REV: <b>A</b>	ITEM NO.	PART NUMBER	DESCRIPTION	QTY.	
	PART NUMBER : <b>PLMDPSM &amp; PLMDDSM</b>			1	68190-W	MAX DROP ARM ASM,MR,DS, WHITE	1
				2	68013-W	DROP DOWN FRONT ARM ASM DS, WHITE	1
PART DESC. : PROLIFT,MAX,PS,MR & PROLIFT,MAX,DS,MR			3	48265	DAMPER ASSEMBLY	1	
			4	66959-W	DROP DOWN OUTER BAR, WELDMENT, WHITE	1	
			5	58239	COMPRESSION DAMPER	1	
			6	51989	HANDLE ASM, NO PAINT	1	
			7	66563-B	DROP DOWN, SS CENTER DRIVELINE, BLK	1	
			8	68037-B	CLAMP PAD, 6.5", BLACK	2	
			9	68186-W	PROLIFT INNER POST, WHITE	1	
			10	68196-W	PROLIFT MAX DROP STOP, WHITE	1	
			11	68045-W	PROLIFT DAMPER MOUNT, WHITE	2	

**PLMDDSMW**



ITEM NO.	PART NUMBER	DESCRIPTION	QTY.
1	68189-W	MAX DROP ARM ASM,MR,PS,WHITE	1
2	68031-W	DROP DOWN FRONT ARM ASSM PS, WHITE	1
3	48265	DAMPER ASSEMBLY	1
4	66959-W	DROP DOWN OUTER BAR, WELDMENT, WHITE	1
5	68037-B	CLAMP PAD, 6.5", BLACK	2
6	58239	COMPRESSION DAMPER	1
7	68186-W	PROLIFT INNER POST, WHITE	1
8	68045-W	PROLIFT DAMPER MOUNT, WHITE	2
9	66572-B	DROP DOWN, CS CENTER DRIVELINE, BLK	1
10	51989	HANDLE ASM, NO PAINT	1
11	68196-W	PROLIFT MAX DROP STOP, WHITE	1

**PLMDPSMW**



**GET TO KNOW THE VEHICLE** - AT THE BEGINNING OF ANY INSTALLATION, CHECK THE LOCATION OF THE FUEL TANK, FUEL LINES, BRAKE LINES, HIGH VOLTAGE BATTERIES AND WIRING HARNESES TO AVOID INJURY OR PROPERTY DAMAGE FROM TOOL CONTACT.

**SEAL ALL EXTERIOR HOLES** - ALL INSTALLATION HOLES SHOULD BE SEALED WITH BUTYL TAPE OR SILICON TO PREVENT WATER AND EXHAUST GASES FROM ENTERING THE VEHICLE.

**CONTROL DRILL DEPTH** - TO AVOID DAMAGE TO THE VEHICLE, USE A DRILL STOP OR CLEARED STEP BIT WHEN DRILLING INSTALLATION HOLES.

**ALWAYS ADD PRIMER** - WHEN ADDING INSTALLATION HOLES BE SURE TO USE A SELF-ETCHING PRIMER TO PREVENT CORROSION, FASTENER FAILURE AND INJURY.

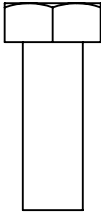
**MOUNTING POINTS MUST HAVE METAL-TO-METAL CONTACT** - USE PROVIDED MOUNTING SPACERS TO ACCOMMODATE FOR VEHICLE FEATURES, CARPET OR SUBFLOORS.

**PROVIDE CLEARANCE FOR SPACERS** - IF THE INSTALLATION VEHICLE CONTAINS A CARPET OR SUBFLOOR, USE A 1-3/16" DIAMETER CARPET CUTTER (P/N: 31183-0) AT ALL MOUNTING LOCATIONS TO OPEN UP ROOM FOR SPACERS.

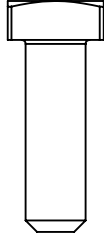
**CHECK SPACER ORIENTATION** - BE SURE THAT THE INDENT IN THE SPACER COVERS THE PLUSNUT HEAD; THIS ENSURES THE MOST METAL-TO-METAL CONTACT AND REDUCES VIBRATION.

**PLUSNUT INSTALLATION** - A PLUSNUT GUN IS RECOMMENDED FOR PLUSNUT INSTALLATION FOR ITS PRODUCTION SPEED. HOWEVER, A PLUSNUT SETTING TOOL CAN ALSO BE USED (P/N: 22200-0).

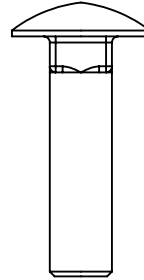
**THRU-BOLT CLEARANCE** - WHEN USING A THRU-BOLT AT ANY MOUNTING LOCATION, BE SURE THAT YOUR HOLE HAS 1/16" CLEARANCE.

**FASTENERS AND HARDWARE USED**

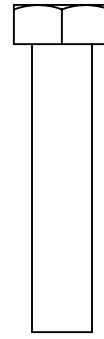
FAS0283  
SCREW,HH  
5/16-18X.875  
QTY: 3



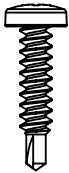
FAS0035  
BOLT,SQ HD  
5/16-18X1.0  
QTY: 2



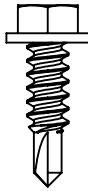
FAS0812  
BOLT,CRG  
5/16-18X1.25  
QTY: 4



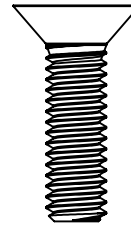
FAS0242  
SCREW,HH  
5/16-18X1.5  
QTY: 4



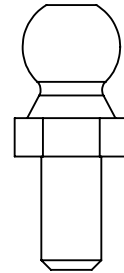
FAS0782  
SCREW,THP TEK  
#8X.75  
QTY: 3



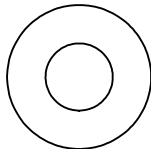
FAS0473  
SCREW,HH TEK  
#12X.75  
QTY: 4



FAS0856  
SCREW,FHH  
5/16-18X1.13  
QTY: 4



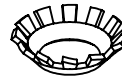
34927-0  
BALL STUD  
13MM X 5/16-18  
QTY: 2



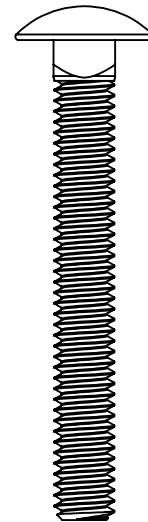
FAS0552  
WASHER,FLAT  
USS 5/16  
QTY: 7



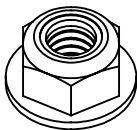
FAS0588  
WASHER,LCK  
SPLIT 5/16  
QTY: 1



FAS0857  
WASHER,LCK EXT  
CS 5/16  
QTY: 04



FAS0838  
BOLT,CRG  
5/16-18X2.5  
QTY: 04

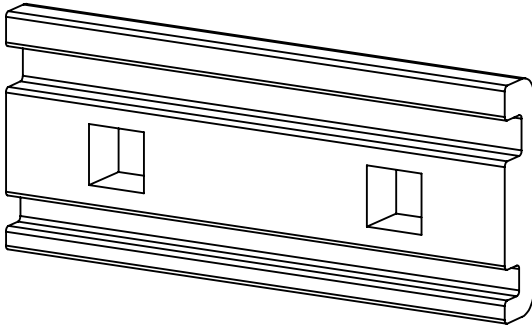


FAS0861  
NUT,HEX NLK  
FLG 5/16-18  
QTY: 20

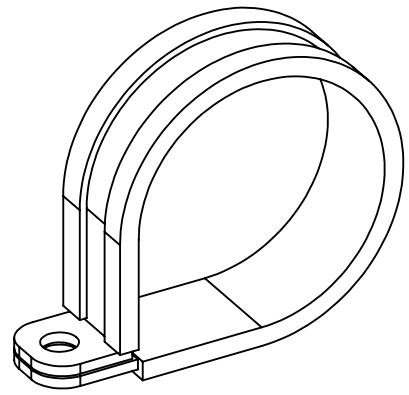


34928-0  
CLIP,SPRING,  
RETAINER,13MM  
QTY: 4

**FASTENERS AND HARDWARE USED**



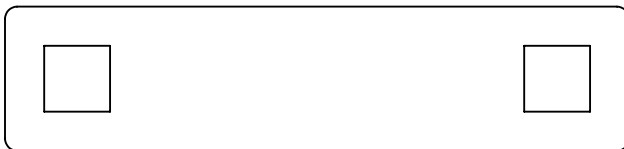
65963  
REAR ROLLER, SPACER  
QTY: 4



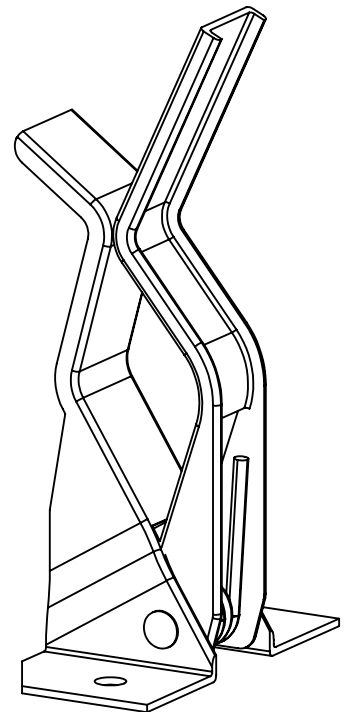
34921-0  
CLAMP, CABLE 1-1/2"  
QTY: 1



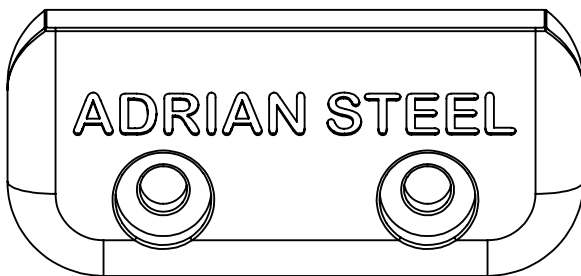
64831  
REAR ROLLER, SPACER  
QTY: 02



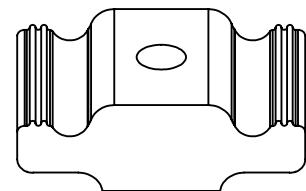
64830  
REAR ROLLER, BOLT PLATE  
QTY: 2



34922-0  
HOLDER, TOOL  
QTY: 1



65961  
DROP DOWN END CAP  
QTY: 2



63490  
RAIL SLIDE, 1"  
QTY: 5

**BEGIN ASSEMBLY**

**STEP 1 - INSTALL CLAMPS AND HARDWARE ON DROP DOWN CARTRIDGES**

**PASSENGER SIDE CARTRIDGES**

**FRONT SUB-ASSEMBLY**

**REAR SUB-ASSEMBLY**

USE FAS0283,  
FAS0552, & FAS0861  
(2 PLACES)  
1/2" WRENCH  
1/2" SOCKET

USE FAS0838 & FAS0861  
(4 PLACES)  
1/2" SOCKET

LOOSELY INSTALL  
FAS0856, FAS0857, &  
63490  
(4 PLACES)

FAS0035  
SLIDE INTO SLOT  
(02 PLACES)

**NOTE ORIENTATION:  
SMALLER CHANNEL  
ON BOTTOM**

**DRIVER SIDE  
CARTRIDGES**

**REAR SUB-ASSEMBLY**

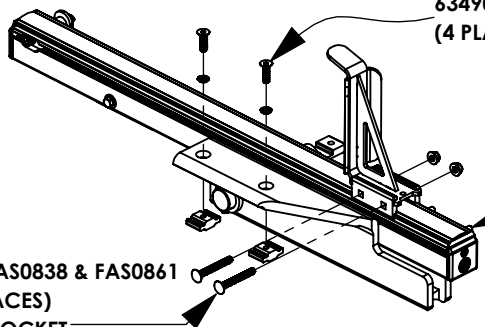
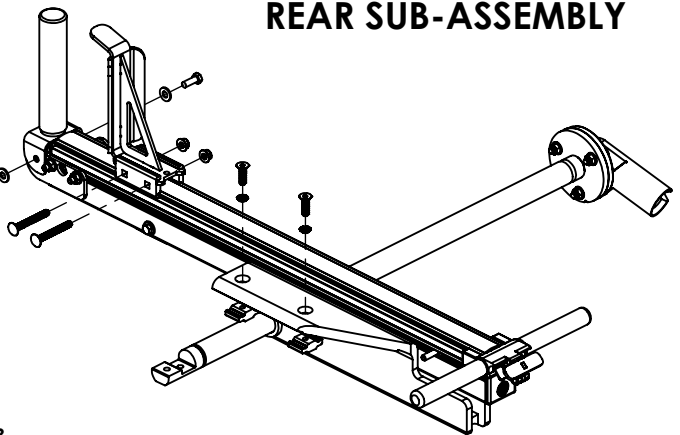
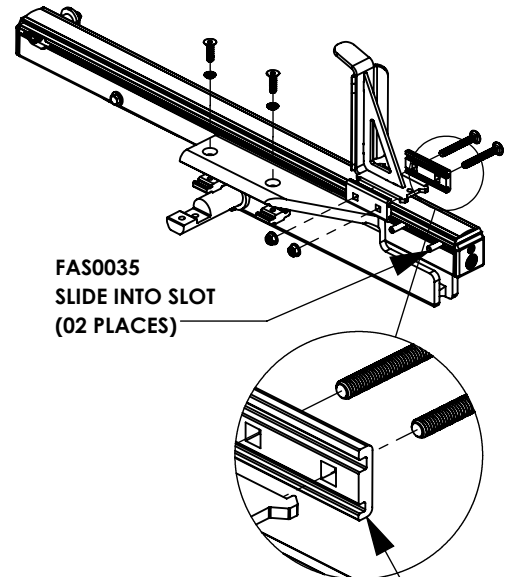
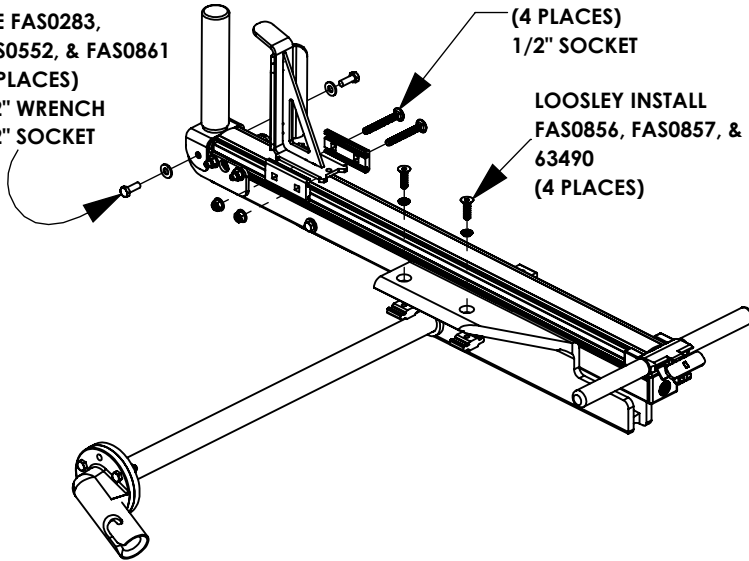
USE FAS0283,  
FAS0552, & FAS0861  
(2 PLACES)  
1/2" WRENCH  
1/2" SOCKET

**FRONT SUB-ASSEMBLY**

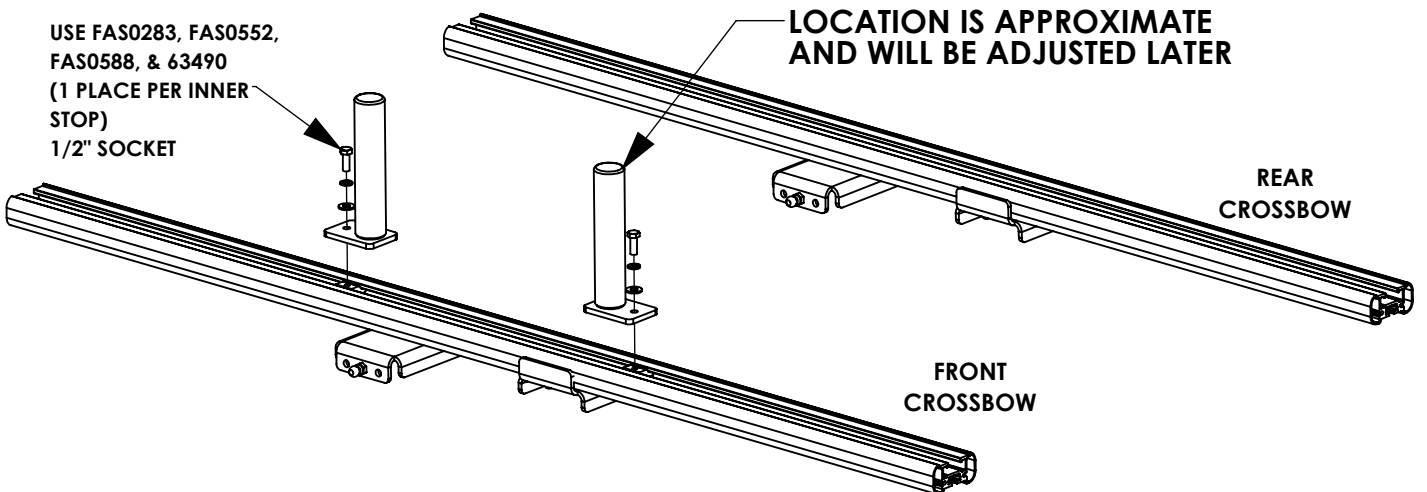
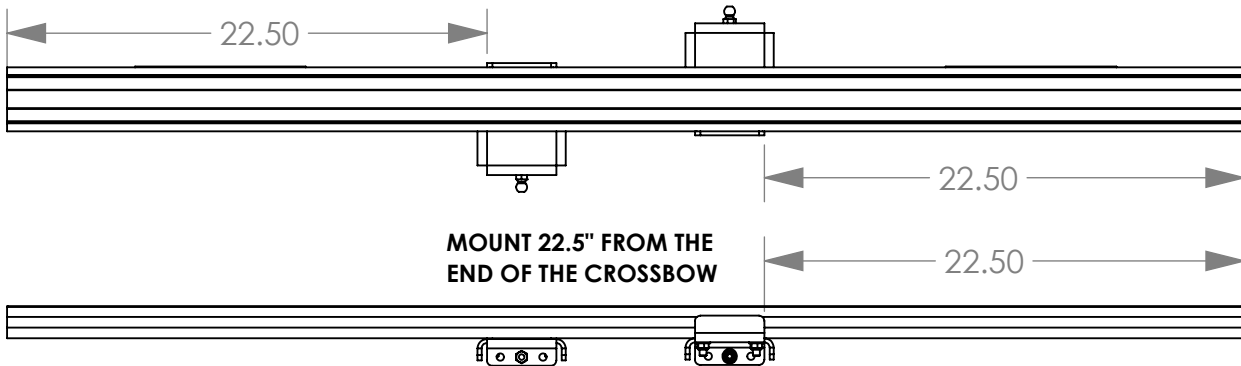
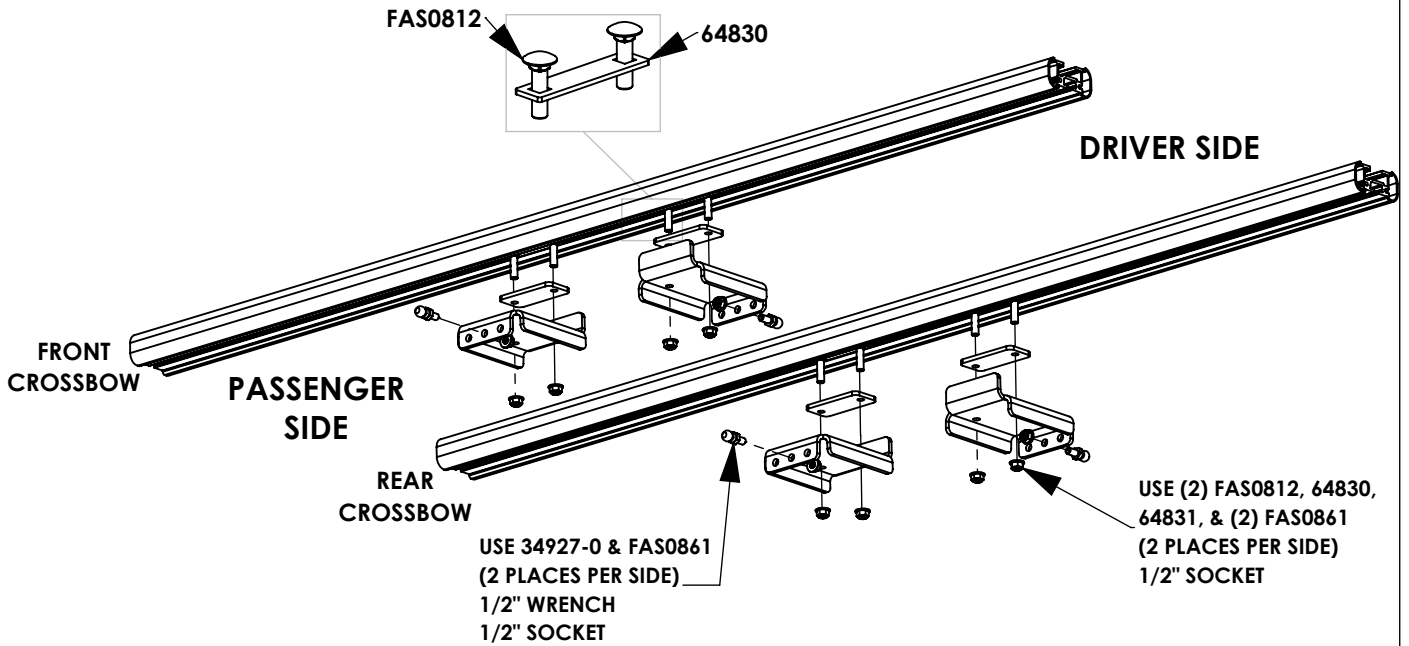
LOOSELY INSTALL  
FAS0856, FAS0857, &  
63490  
(4 PLACES)

USE FAS0838 & FAS0861  
(4 PLACES)  
1/2" SOCKET

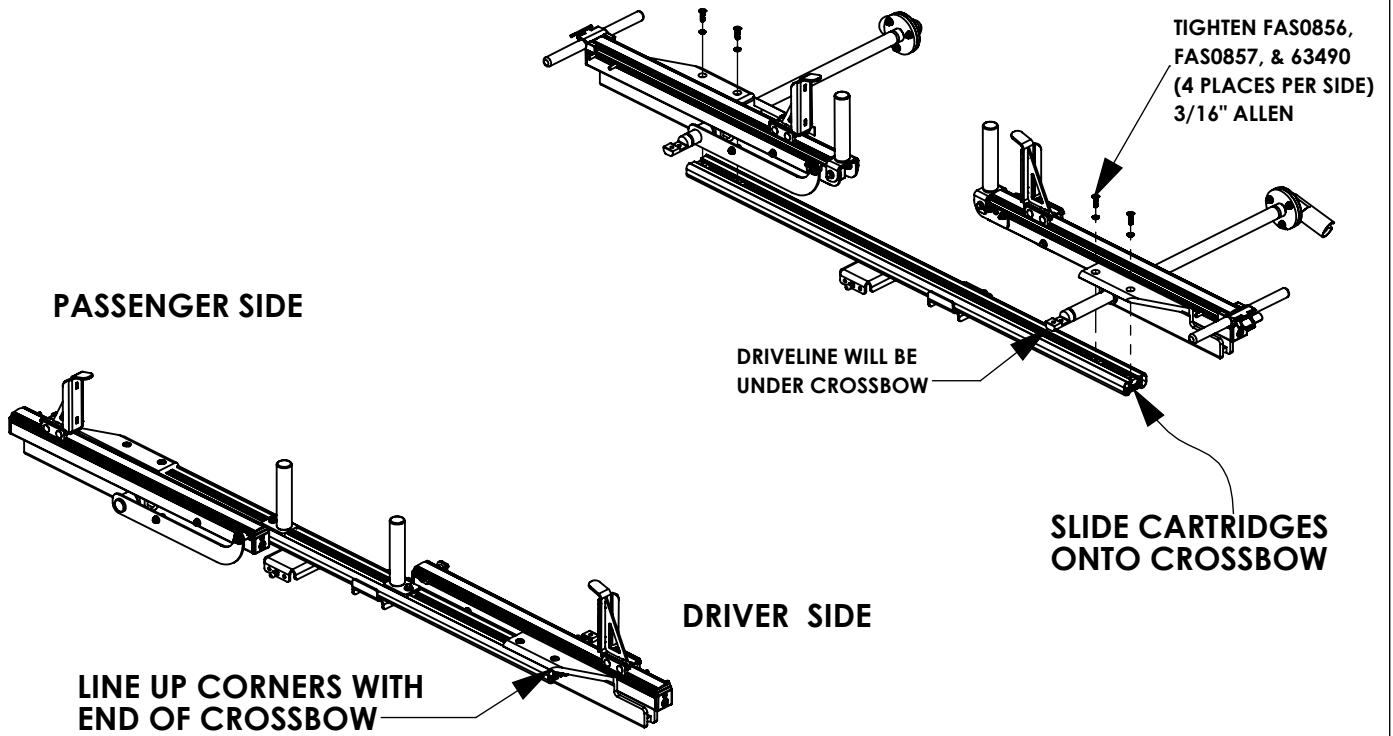
FAS0035  
SLIDE INTO SLOT  
(2 PLACES)



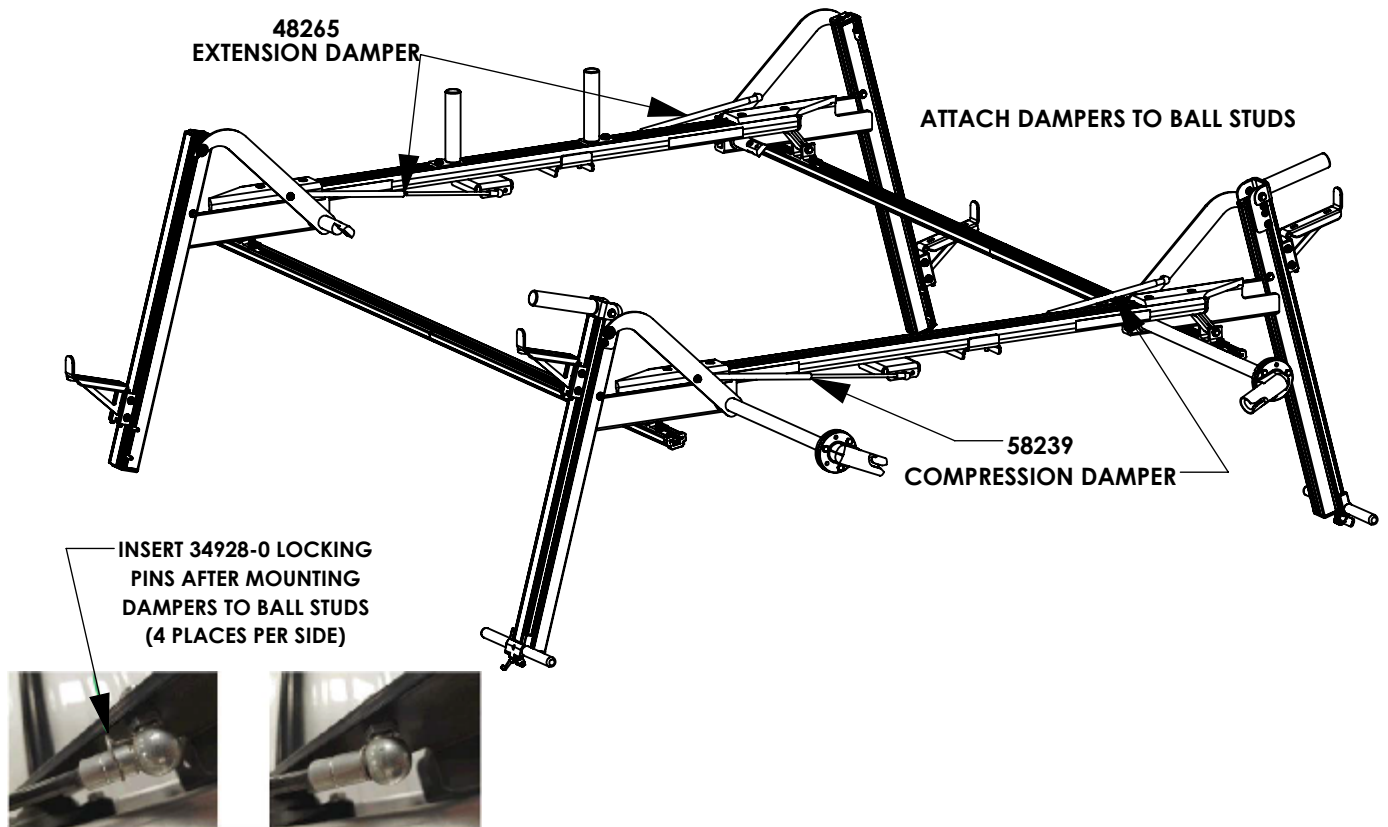
# STEP 2 - MOUNT DAMPER BRACKETS AND INNER STOPS TO CROSSBOWS



### STEP 3 - INSTALL CARTRIDGES ON CROSSBOWS

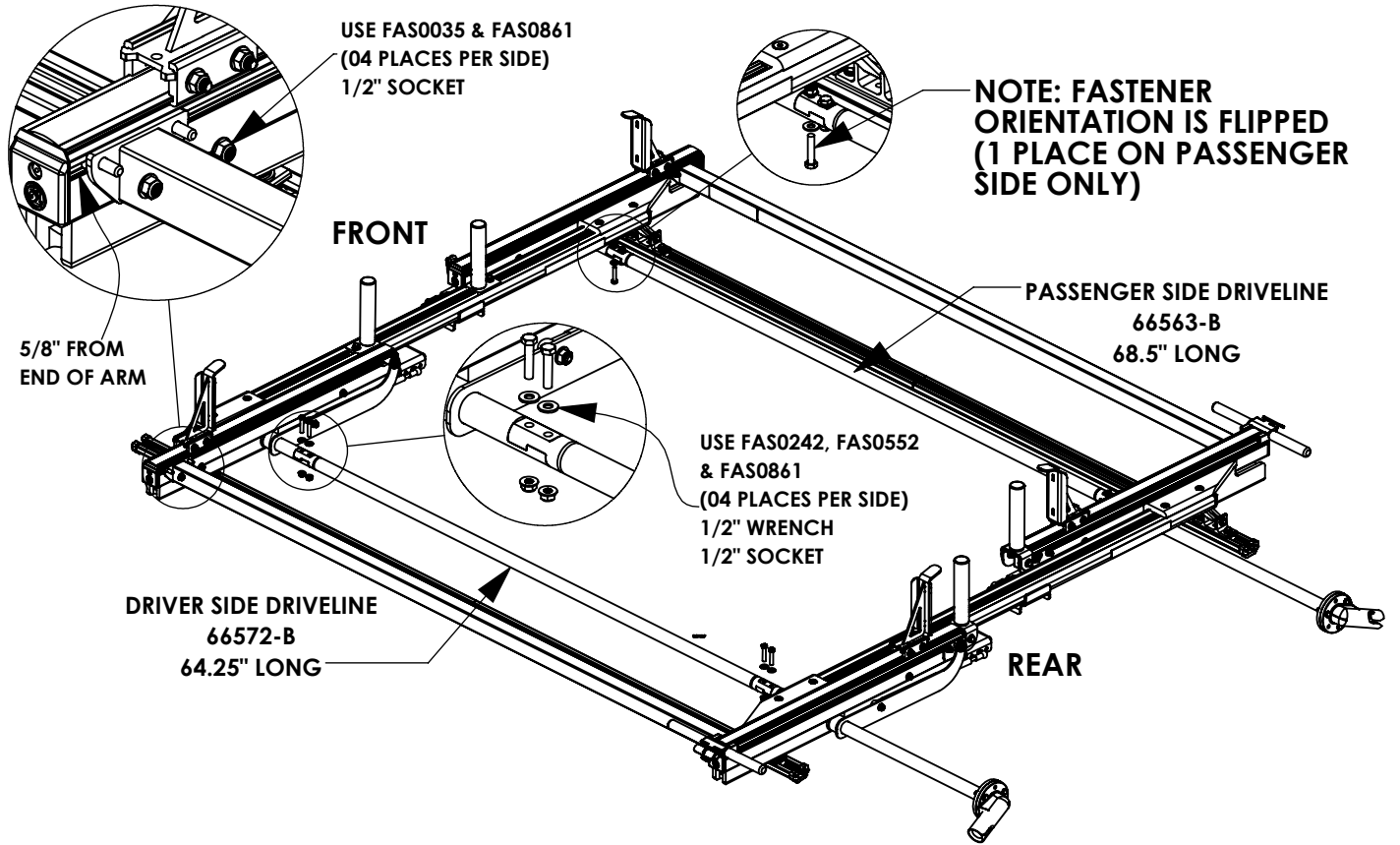


### STEP 4 - INSTALL DAMPERS

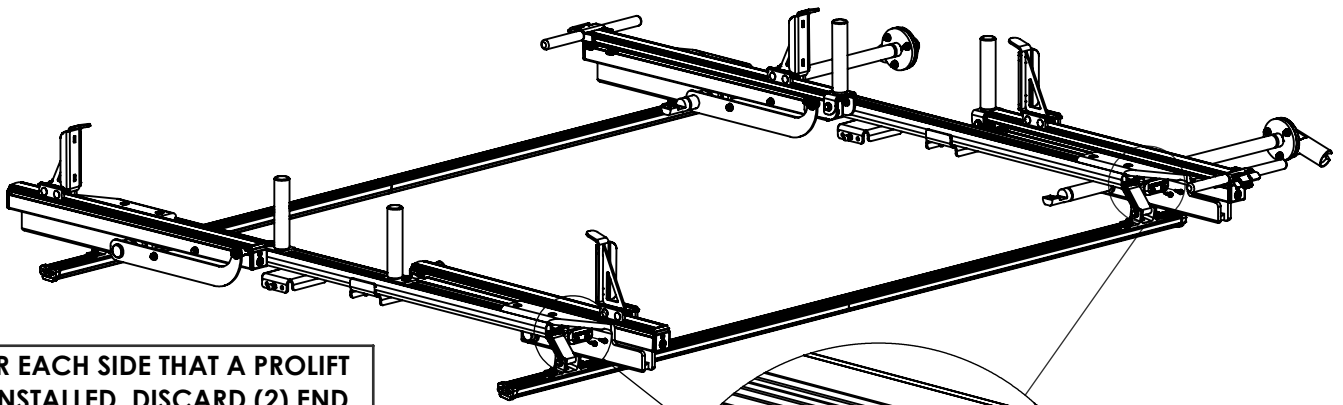




### STEP 5 - INSTALL O.S. BAR AND THEN THE DRIVELINE

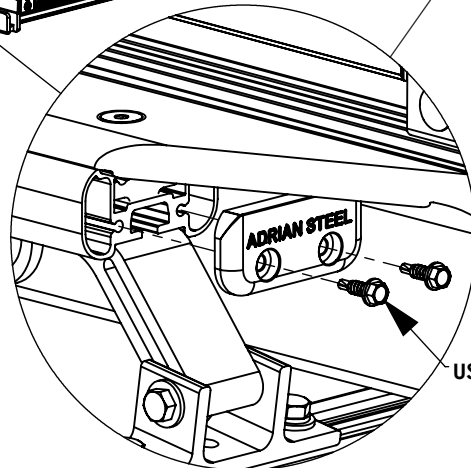


### STEP 6 - INSTALL CROSSBOW END CAPS



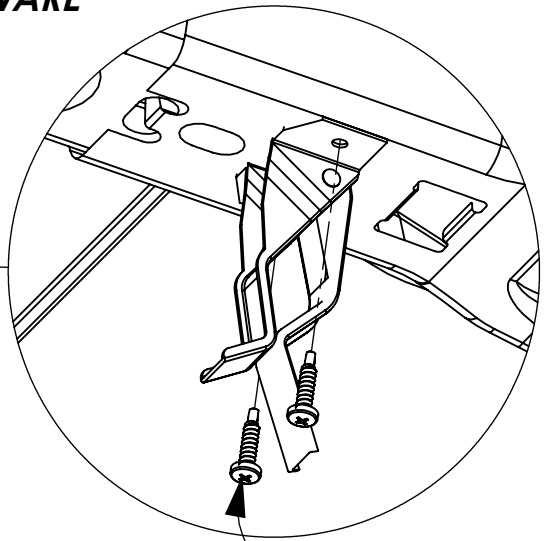
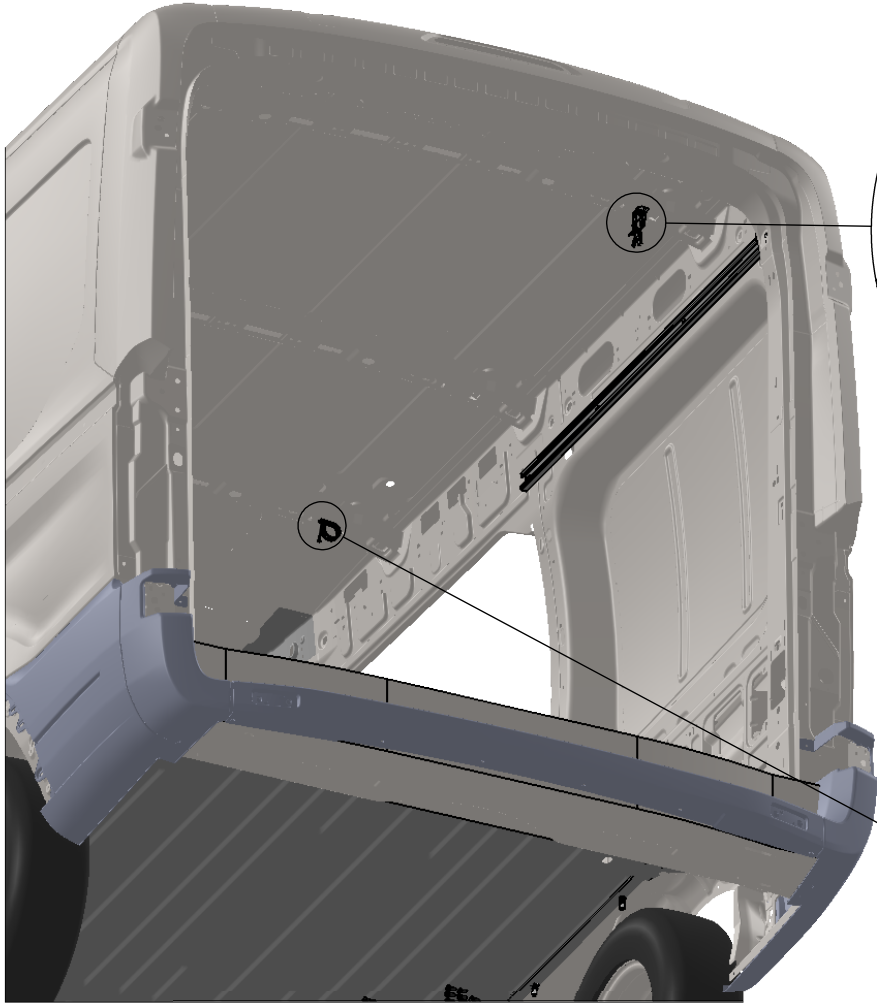
FOR EACH SIDE THAT A PROLIFT IS INSTALLED, DISCARD (2) END CAPS THAT ARE INCLUDED WITH THE CROSSBOW KIT.

SHOWN BELOW:

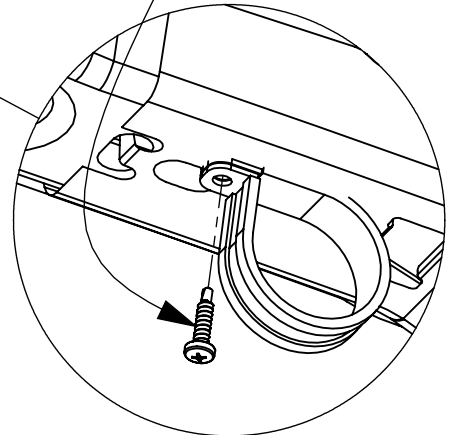


USE 65961 & (2) FAS0473  
(2 PLACES PER SIDE)  
3/8" SOCKET

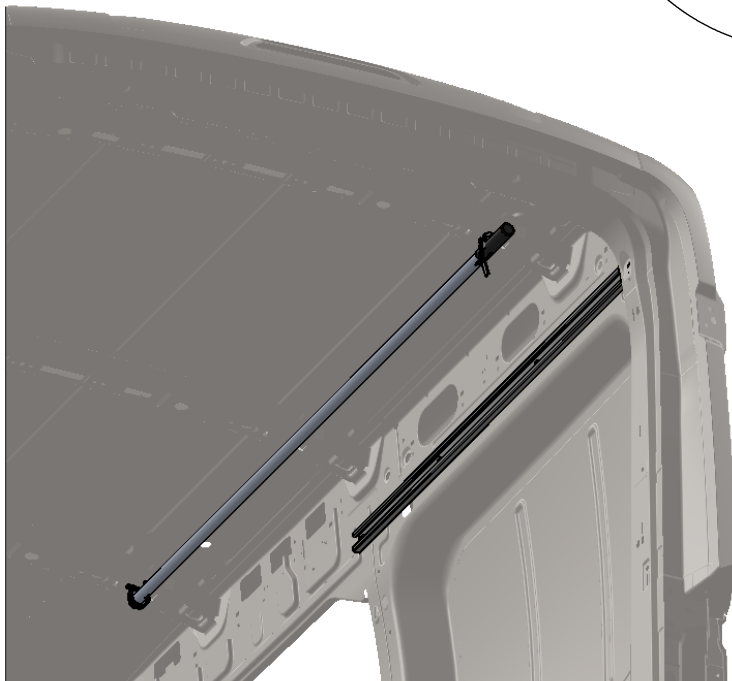
**STEP 7 - INSTALL HANDLE STORAGE HARDWARE**



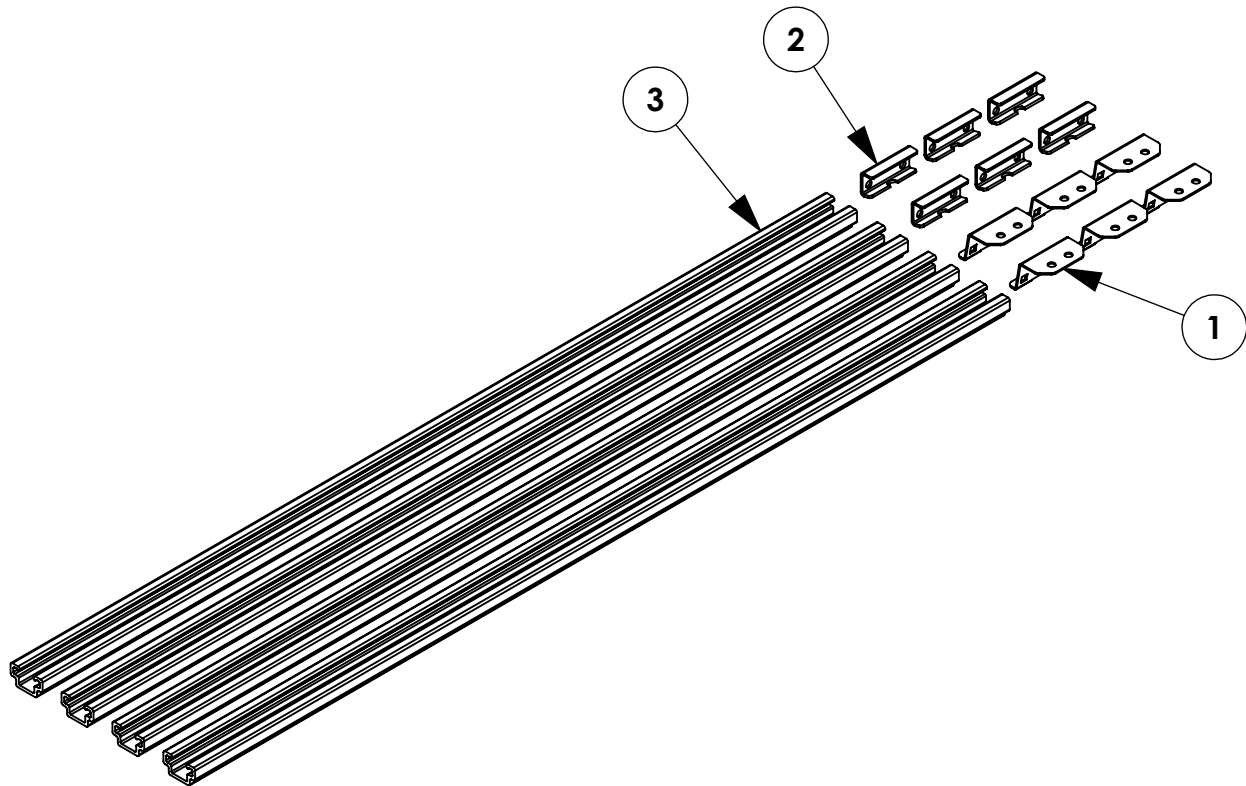
USE FAS0782  
(03 PLACES)  
#2 PHILLIPS



**STEP 8 - CLIP HANDLE INTO STORAGE CLIP**



<i>INSTR. NUMBER</i> : <b>67270</b>	<i>PG:</i> <b>1</b>	<i>REV:</i> <b>C</b>	<i>ITEM NO.</i>	<i>PART NUMBER</i>	<i>DESCRIPTION</i>	<i>QTY.</i>
			1	63386	Foot Clamp 2, Promaster	6
<i>PART NUMBER</i> : <b>RRKPM</b>			2	63387	Foot Clamp, Promaster	6
			3	63373	ROOF RAIL PM 118, 159, 159EXT	4
<i>PART</i> • ROOF RAIL KIT, <i>DESC.</i> • PROMASTER FSV						



**GET TO KNOW THE VEHICLE** - AT THE BEGINNING OF ANY INSTALLATION, CHECK THE LOCATION OF THE FUEL TANK, FUEL LINES, BRAKE LINES, HIGH VOLTAGE BATTERIES AND WIRING HARNESES TO AVOID INJURY OR PROPERTY DAMAGE FROM TOOL CONTACT.

**SEAL ALL EXTERIOR HOLES** - ALL INSTALLATION HOLES SHOULD BE SEALED WITH BUTYL TAPE OR SILICON TO PREVENT WATER AND EXHAUST GASES FROM ENTERING THE VEHICLE.

**CONTROL DRILL DEPTH** - TO AVOID DAMAGE TO THE VEHICLE, USE A DRILL STOP OR CLEARED STEP BIT WHEN DRILLING INSTALLATION HOLES.

**ALWAYS ADD PRIMER** - WHEN ADDING INSTALLATION HOLES BE SURE TO USE A SELF-ETCHING PRIMER TO PREVENT CORROSION, FASTENER FAILURE AND INJURY.

**MOUNTING POINTS MUST HAVE METAL-TO-METAL CONTACT** - USE PROVIDED MOUNTING SPACERS TO ACCOMMODATE FOR VEHICLE FEATURES, CARPET OR SUBFLOORS.

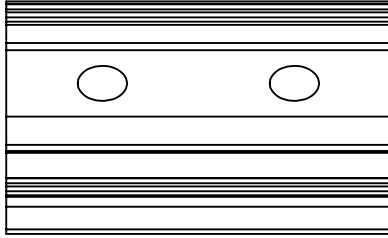
**PROVIDE CLEARANCE FOR SPACERS** - IF THE INSTALLATION VEHICLE CONTAINS A CARPET OR SUBFLOOR, USE A 1-3/16" DIAMETER CARPET CUTTER (P/N: 31183-0) AT ALL MOUNTING LOCATIONS TO OPEN UP ROOM FOR SPACERS.

**CHECK SPACER ORIENTATION** - BE SURE THAT THE INDENT IN THE SPACER COVERS THE PLUSNUT HEAD; THIS ENSURES THE MOST METAL-TO-METAL CONTACT AND REDUCES VIBRATION.

**PLUSNUT INSTALLATION** - A PLUSNUT GUN IS RECOMMENDED FOR PLUSNUT INSTALLATION FOR ITS PRODUCTION SPEED. HOWEVER, A PLUSNUT SETTING TOOL CAN ALSO BE USED (P/N: 22200-0).

**THRU-BOLT CLEARANCE** - WHEN USING A THRU-BOLT AT ANY MOUNTING LOCATION, BE SURE THAT YOUR HOLE HAS 1/16" CLEARANCE.

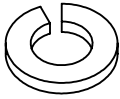
**FASTENERS USED**



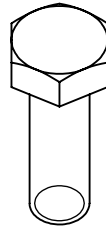
63491  
RAIL CONNECTOR, 2"  
QTY: 8



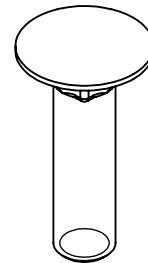
FAS0497  
SET SCREW SS  
5/16-18X.75  
QTY: 4



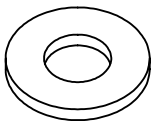
FAS0588  
WASHER, LOCK SPLIT  
5/16 SS  
QTY: 12



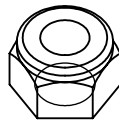
FAS0597  
SCREW, HEX HD  
5/16-18X1.00 SS  
QTY: 12



FAS0812  
BOLT, CARRIAGE  
5/16-18X1.25 SS  
QTY: 12



FAS0552  
WASHER, FLAT  
5/16 SS  
QTY: 24

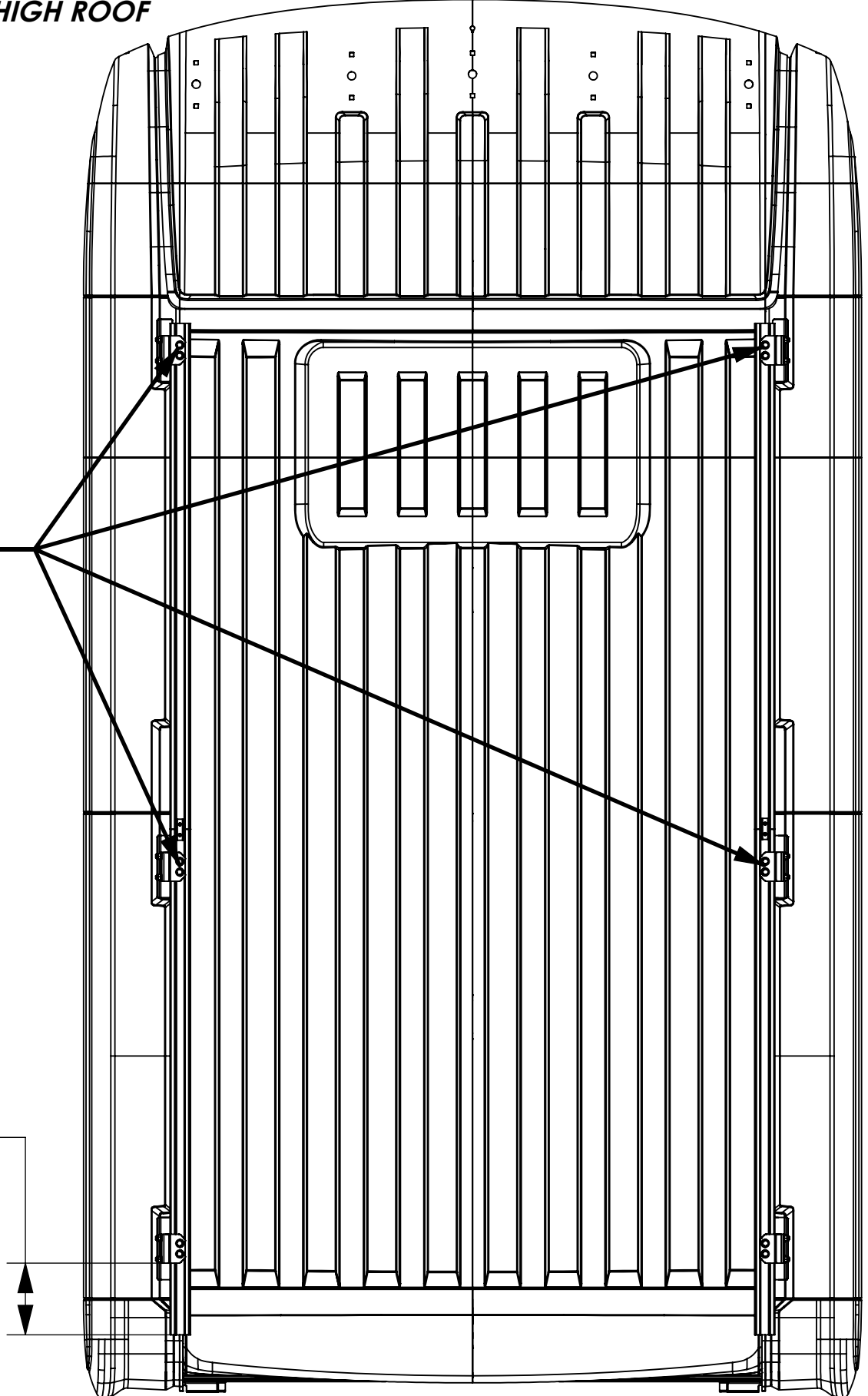


FAS0248  
NUT, NYLON LOCK  
5/16-18 SS  
QTY: 12

**ROOF RAIL INSTALL LOCATION - 118, 159, 159 EXTENDED WHEEL BASES  
LOW & HIGH ROOF**

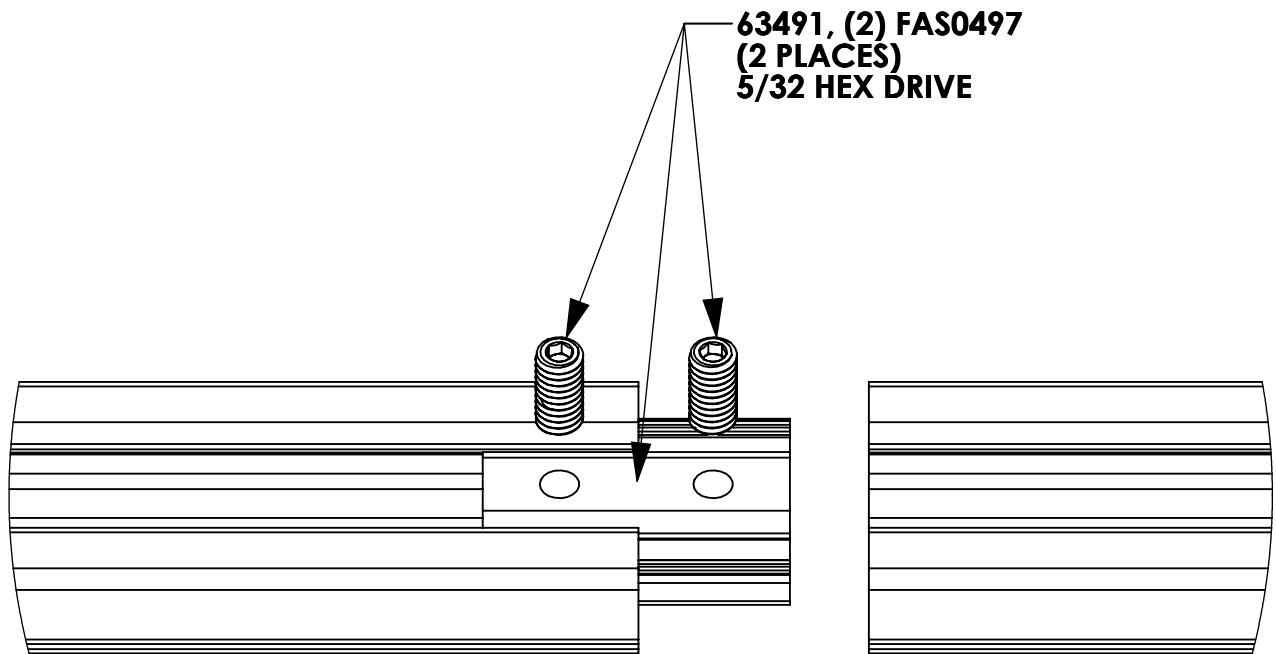
**ALIGN  
CENTER OF  
BRACKET  
WITH CENTER  
OF ROOF  
PEG AND  
TIGHTEN  
DOWN**

6.81 FROM  
END OF RAIL  
TO START OF  
FIRST BRACKET  
(BOTH SIDES)



**CONNECT ROOF RAILS**

**STEP 1 - SLIDE RAILS TOGETHER. CENTER SLIDE BETWEEN TWO RAILS AND TIGHTEN DOWN SET SCREWS**



**BEGIN INSTALLATION**

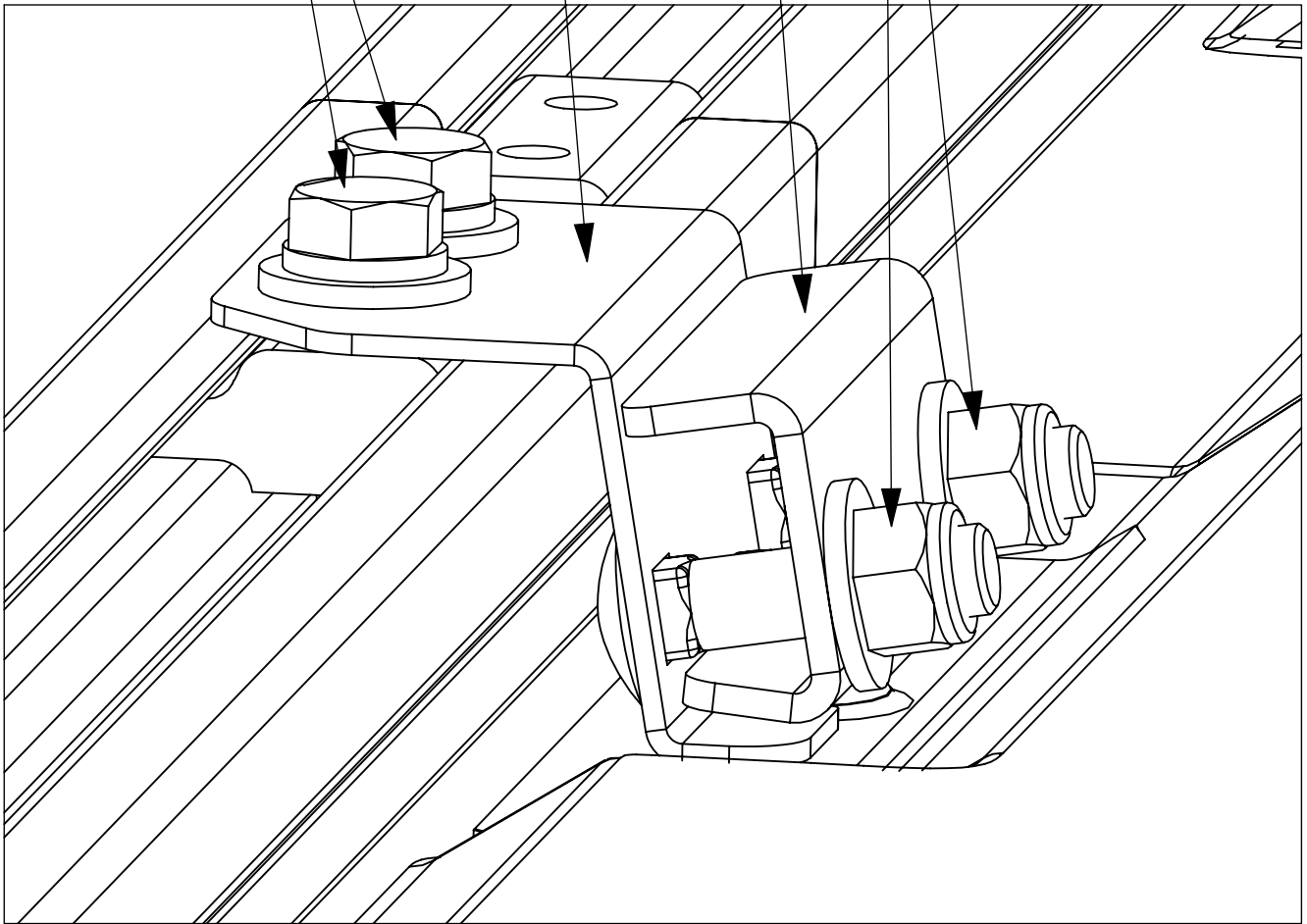
**STEP 2 - INSTALL RAIL AND BRACKETS TO ROOF OF VEHICLE**

(2) FAS0597, (2) FAS0588,  
(2) FAS0552, 63491  
(6 PLACES)  
1/2" WRENCH

63386

63387

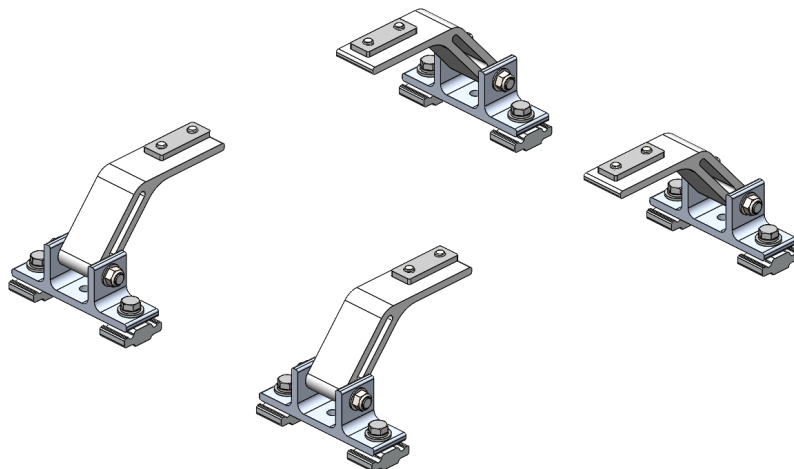
(2) FAS0812, (2) FAS05552,  
(2) FAS0248  
(6 PLACES)  
1/2" WRENCH







## Mounting Bracket Kit, 4-Pack, White, Multiple Pickups



PRODUCT WEIGHT  
**4.0 LBS**

HEIGHT OFF ROOF  
**SEE TABLE BELOW**

CAPACITY  
**REFER TO OEM'S  
RECOMMENDED LOAD  
RATING**  
COLOR

**WHITE**

CATALOG NUMBER

**URMBK4W**

### PRODUCT FEATURES

**Aluminum mounting bracket kit for the PROFILE™ HD Utility, Grip-Lock, and/or ProLift ladder racks. Only works with the OEM specific, Adrian Steel supplied roof rail kit.**

**Utility and Grip-Lock racks are not recommended for medium or high roof vehicles!**

**Reference respective OEM specific roof rail kit for more detailed list of compatible accessories.**

**SEE PAGE 2 FOR APPLICATION NOTES AND ACCESSORIES, OTHER PRODUCTS THAT WORK WITH THIS UNIT.**

### PAGE 1 of 2

The information contained in this document is the sole property of ADRIAN STEEL COMPANY. ADRIAN STEEL COMPANY retains the right to modify and/or change the product of its design at any time without prior notification.



**CATALOG NUMBER URMBK4W**

**PRODUCT APPLICATION**

**This product is designed to work with OEM specific rail kit for HD Utility, Grip-Lock, and/or ProLift racks. HD Utility and Grip-Lock racks are not recommended for medium or high roof vehicles!**

**ACCESSORIES THAT WILL WORK WITH THIS PRODUCT**

CATALOG NUMBER	DESCRIPTION	CATALOG NUMBER	DESCRIPTION
RRKFT	Mounting Roof Rail Kit, Transit	RRKNVFSV	Mounting Roof Rail Kit, NV
RRKSP	Mounting Roof Rail Kit, Sprinter	RRKPM	Mounting Roof Rail Kit, ProMaster, 118" WB, 159" WB, 159" WB Extended
RRKPM136WB	Mounting Roof Rail Kit, ProMaster, 136" WB	RRKSBTOP	Mounting Roof Rail Kit, Multiple Pickups
RRKLBTOP	Mounting Roof Rail Kit, Multiple Pickups		

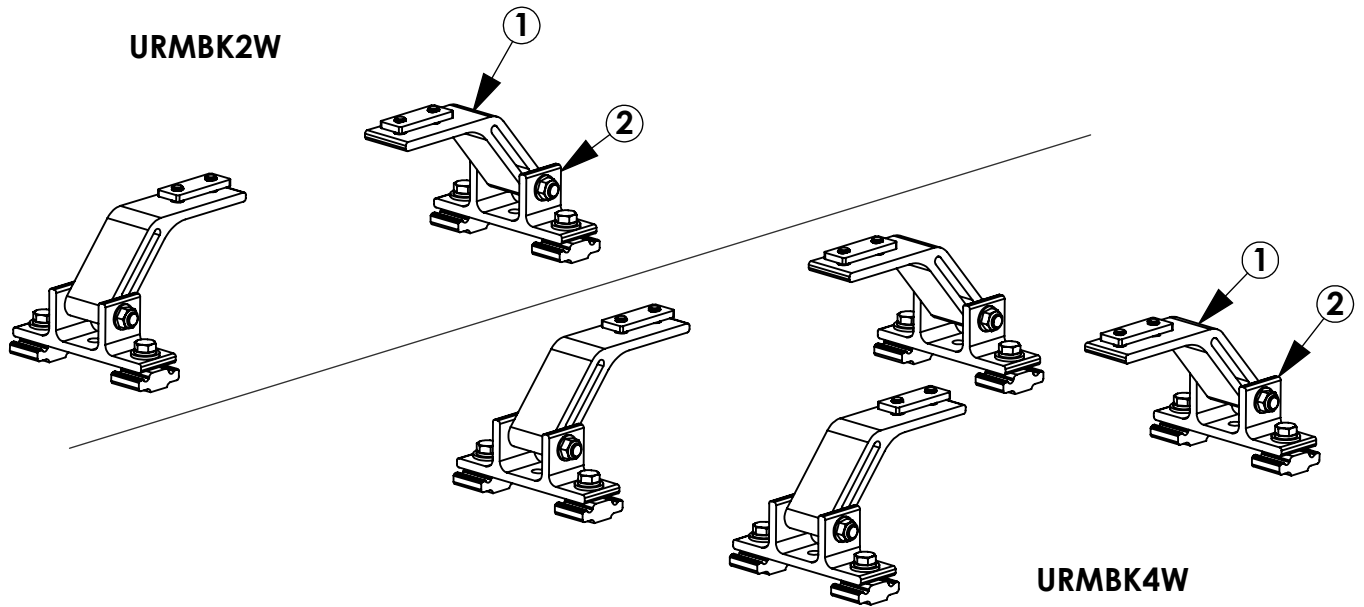
**Reference respective OEM specific roof rail kit for more detailed list of compatible accessories.**

INSTR. NUMBER : <b>66850</b>	PG: <b>1</b>	REV: <b>B</b>	ITEM NO.	PART NUMBER	DESCRIPTION	URMBK4W	URMBK2W
	PART NUMBER : <b>URMBK</b>		1	65123-W	UTILITY, FT MOUNT ARM, ST, W	4	2
PART DESC. : UTILITY, MNT BKT KT, RAIL			2	63852-W	UTILITY, MOUNTING BRKT, W	4	2

**-PART NUMBERS WITH "-W" SUFFIX ARE PAINTED WHITE  
-FOR BLACK MOUNTING KITS, REPLACE "-W" PARTS WITH "-B" PARTS**

**NOTE: THIS INSTRUCTION IS VALID FOR THE FOLLOWING KITS:**

- URMBK4W
- URMBK4B
- URMBK2W
- URMBK2B



**GET TO KNOW THE VEHICLE** - AT THE BEGINNING OF ANY INSTALLATION, CHECK THE LOCATION OF THE FUEL TANK, FUEL LINES, BRAKE LINES, HIGH VOLTAGE BATTERIES AND WIRING HARNESSSES TO AVOID INJURY OR PROPERTY DAMAGE FROM TOOL CONTACT.

**SEAL ALL EXTERIOR HOLES** - ALL INSTALLATION HOLES SHOULD BE SEALED WITH BUTYL TAPE OR SILICON TO PREVENT WATER AND EXHAUST GASES FROM ENTERING THE VEHICLE.

**CONTROL DRILL DEPTH** - TO AVOID DAMAGE TO THE VEHICLE, USE A DRILL STOP OR CLEARED STEP BIT WHEN DRILLING INSTALLATION HOLES.

**ALWAYS ADD PRIMER** - WHEN ADDING INSTALLATION HOLES BE SURE TO USE A SELF-ETCHING PRIMER TO PREVENT CORROSION, FASTENER FAILURE AND INJURY.

**MOUNTING POINTS MUST HAVE METAL-TO-METAL CONTACT** - USE PROVIDED MOUNTING SPACERS TO ACCOMMODATE FOR VEHICLE FEATURES, CARPET OR SUBFLOORS.

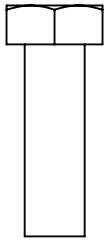
**PROVIDE CLEARANCE FOR SPACERS** - IF THE INSTALLATION VEHICLE CONTAINS A CARPET OR SUBFLOOR, USE A 1-3/16" DIAMETER CARPET CUTTER (P/N: 31183-0) AT ALL MOUNTING LOCATIONS TO OPEN UP ROOM FOR SPACERS.

**CHECK SPACER ORIENTATION** - BE SURE THAT THE INDENT IN THE SPACER COVERS THE PLUSNUT HEAD; THIS ENSURES THE MOST METAL-TO-METAL CONTACT AND REDUCES VIBRATION.

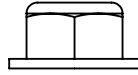
**PLUSNUT INSTALLATION** - A PLUSNUT GUN IS RECOMMENDED FOR PLUSNUT INSTALLATION FOR ITS PRODUCTION SPEED. HOWEVER, A PLUSNUT SETTING TOOL CAN ALSO BE USED (P/N: 22200-0).

**THRU-BOLT CLEARANCE** - WHEN USING A THRU-BOLT AT ANY MOUNTING LOCATION, BE SURE THAT YOUR HOLE HAS 1/16" CLEARANCE.

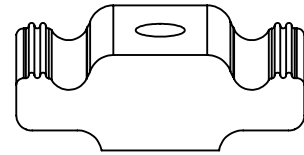
**FASTENERS USED**



**FAS0597**  
5/16-18X1.0 SS  
HH SCREW  
QTY: 8



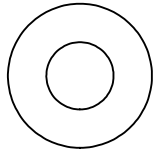
**FAS0861**  
5/16-18 SS  
HH FLG NUT  
QTY: 4



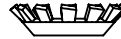
**63490**  
RAIL SLIDE,  
2"  
QTY: 8



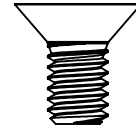
**FAS0588**  
5/16 SS  
SPLIT WASHER  
QTY: 8



**FAS0552**  
5/16 SS  
FLAT WASHER  
QTY: 12



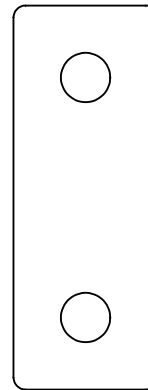
**FAS0857**  
5/16 SS  
WASHER,LCK EXT CS  
QTY: 8



**FAS0858**  
5/16-18X.63  
FHH SCREW  
QTY: 8

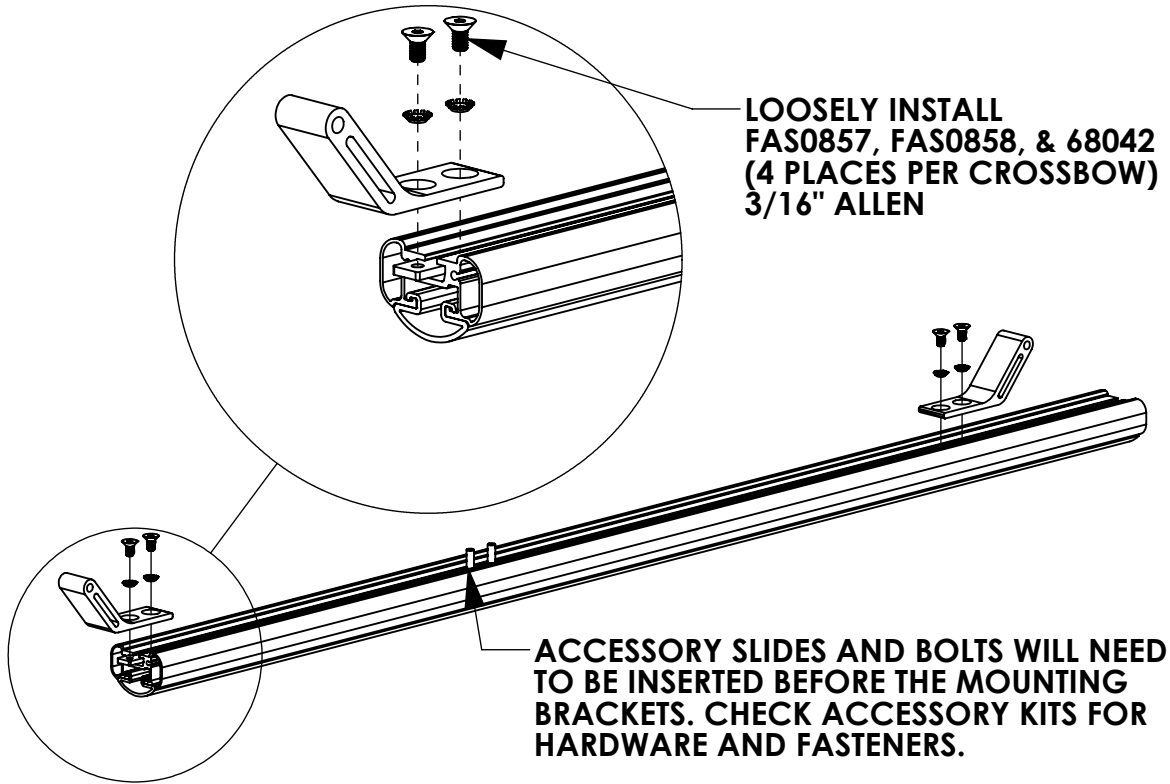


**FAS0243**  
5/16-18X2.5 SS  
HH SCREW  
QTY: 4

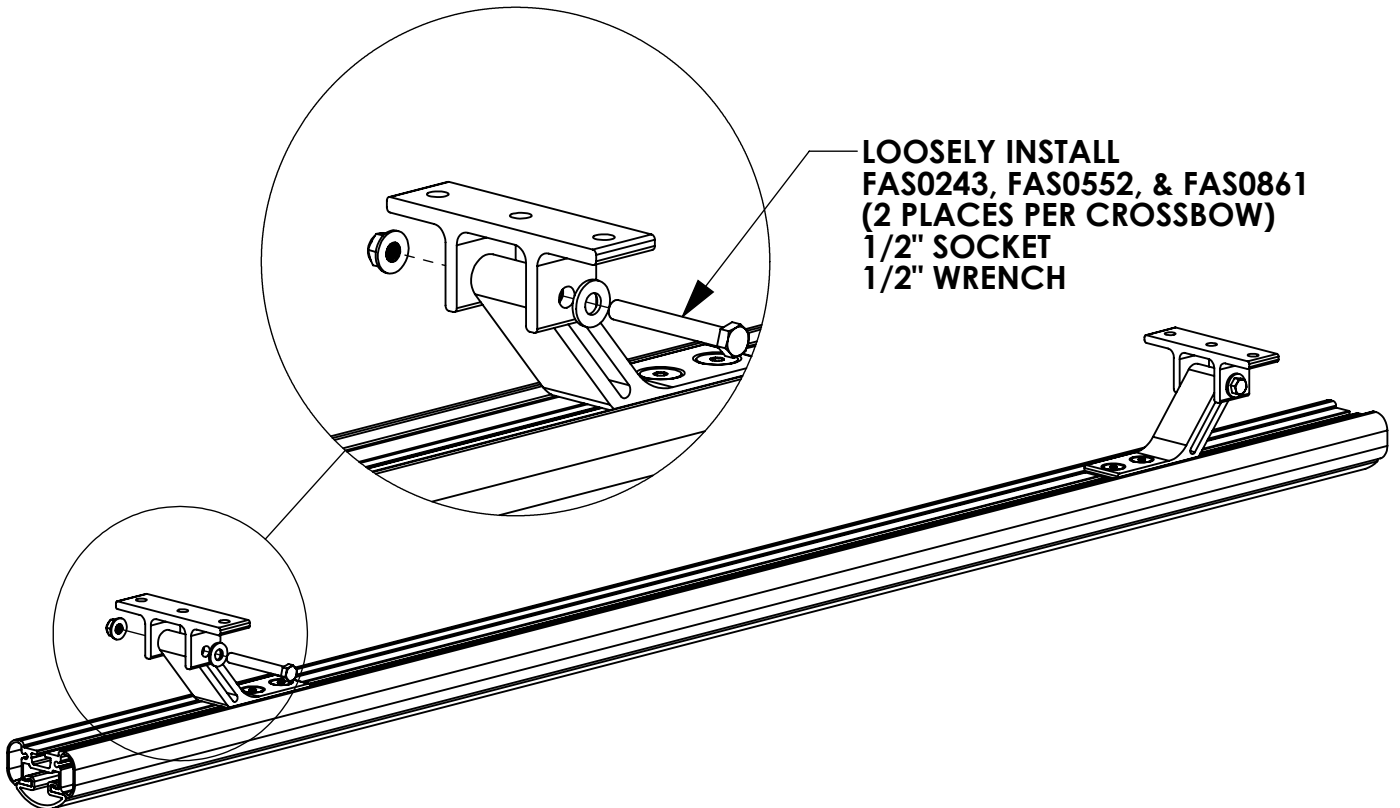


**68042**  
PROFILE FOOT  
MOUNTING PLATE  
QTY: 4

**STEP 1 - ASSEMBLE MOUNTING ARMS TO CROSSBOW**

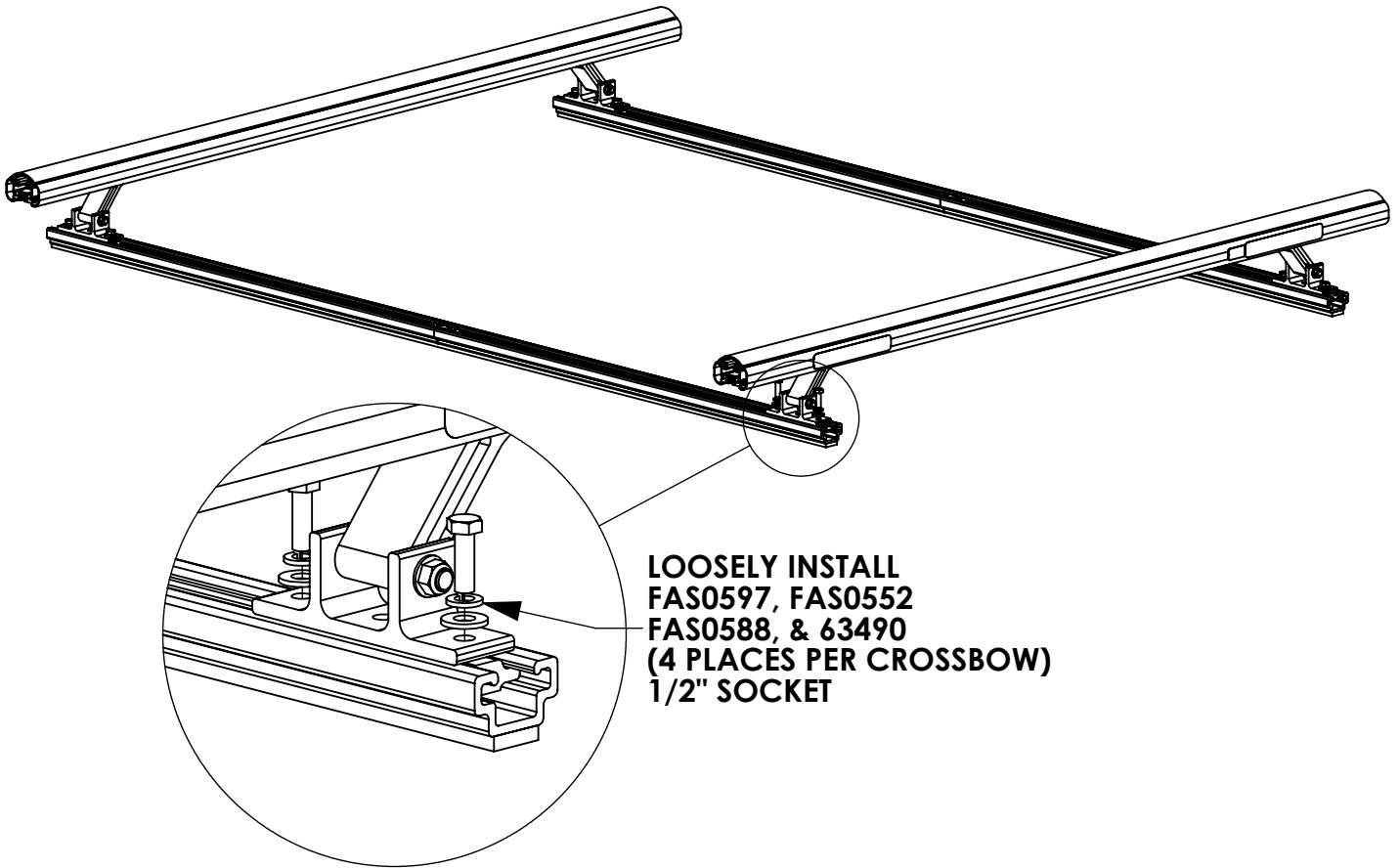


**STEP 2 - ASSEMBLE MOUNTING BRACKETS TO MOUNTING ARMS**



**BEGIN INSTALLATION**

**STEP 3 - INSTALL MOUNTING BRACKETS TO RAIL**



**CROSSBOW POSITIONING NOTES:**

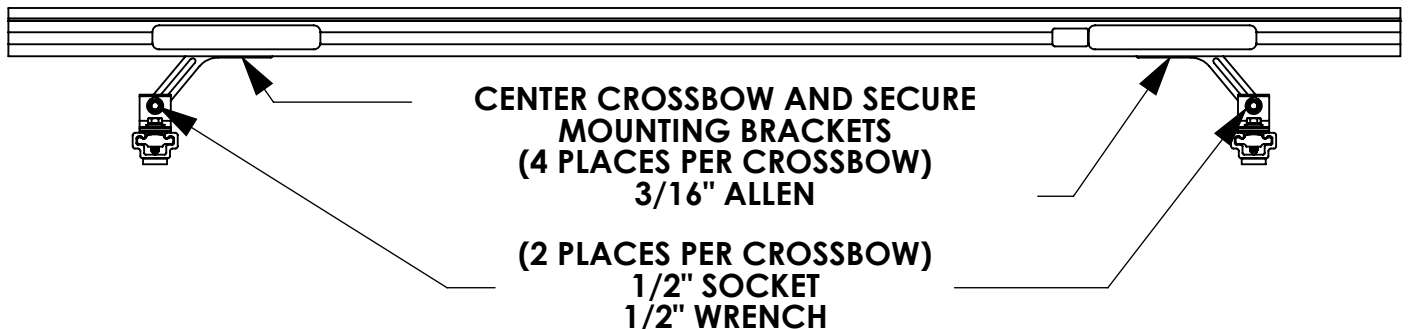
**HD UTILITY RACK -**

REAR CROSSBOW - REARWARD AS POSSIBLE  
FRONT CROSSBOW- POSITION TO BEST FIT END USER'S PRODUCT

**GRIP LOCK/PROLIFT LADDER RACKS -**

REFER TO RESPECTIVE INSTRUCTION FOR CROSSBOW PLACEMENT.

**STEP 4 - SECURE CROSSBOW**



**AFTER POSITIONING CROSSBOWS, FULLY TIGHTEN FASTENERS FROM STEP 3**



## 2-Crossbar Kit, 58", White, Minivan



PRODUCT WEIGHT  
**16.1 LBS**

CROSSBOW LENGTH X  
HEIGHT

**59" x 2"**

CAPACITY

**REFER TO OEM'S  
RECOMMENDED LOAD  
RATING**

COLOR

**WHITE**

CATALOG NUMBER

**2BARCW**

### PRODUCT FEATURES

Aluminum base 2-crossbow kit for PROFILE™ HD Utility, grip lock, drop down, or combo ladder racks. Works with all compact van platforms for each respective wheelbase and Ford Transit Ship Thru. Works with and without OEM specific rail kit and generic mounting bracket kits.

Optional uprights and conduit kits available.

Please refer to OEM specific mounting kit or rail kit for additional information on compatible accessories.



# INSTALLATION GUIDE FOR PROFILE™ SERIES LADDER RACKS

INSTRUCTION #: **68895**

## ASSEMBLY STEPS:

1. SUB-ASSEMBLE EACH CROSSBOW WITH DESIRED ACCESSORIES  
(REFERENCE ORDER IN FIG. 68895-1 BELOW, SELECT CROSSBOW LENGTH FROM TABLE 68895-2)
2. INSTALL ROOF RAIL KIT ON VEHICLE ROOF OR BOTTOM MOUNTING BRACKETS  
(ROOF RAIL KIT REQUIRED FOR Grip-Lock & ProLift, OPTIONAL FOR HD UTILITY)
3. MOUNT CROSSBOW SUB-ASSEMBLIES FROM STEP 1 TO VEHICLE/MOUNTING BRACKET,  
OR ROOF RAIL (LOOSE INSTALL)
4. ADD DRIVELINES AND/OR OUTER SUPPORT BARS (IF INSTALLING Grip-Lock OR ProLift)
5. ADD HANDLES (IF INSTALLING Grip-Lock OR ProLift) AND TIGHTEN ALL BOLTS!
6. INSTALL END CAPS OR END CAP STROBES

← START WITH A.1/A.2, MOVE OUT TO C.1/C.2 →

FIG. 68895-1

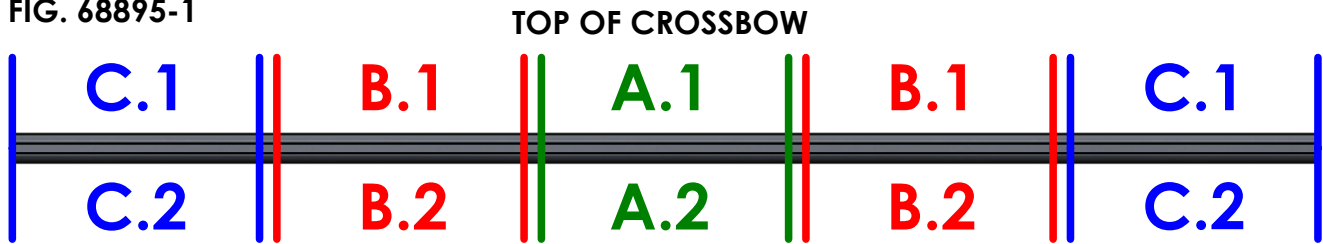


TABLE 68895-1

BOTTOM OF CROSSBOW

TOP OF CROSSBOW COMPONENTS TO INSTALL		BOTTOM OF CROSSBOW COMPONENTS TO INSTALL	
<b>A.1</b>	HD UTILITY - CONDUIT KIT OR BEACON Grip-Lock - CONDUIT KIT OR BEACON ProLift - CONDUIT KIT OR BEACON	<b>A.2</b>	HD UTILITY - LADDER STOP, STROBE BRACKET, AND/OR REAR ROLLER Grip-Lock - Grip-Lock SUB-ASSEMBLY ProLift - DAMPER BRACKET
<b>B.1</b>	HD UTILITY - WEAR STRIP (MODIFY IF NECESSARY, TABLE 3) Grip-Lock - WEAR STRIP (MODIFY IF NECESSARY, TABLE 3) ProLift - INNER STOP POST	<b>B.2</b>	HD UTILITY - MOUNTING BRACKETS Grip-Lock - MOUNTING BRACKETS ProLift - MOUNTING BRACKETS
<b>C.1</b>	HD UTILITY - 4" UPRIGHT Grip-Lock - N/A ProLift - SLIDE FOR BASE EXTRUSION	<b>C.2</b>	HD UTILITY - UPRIGHTS (6", 9", RATCHET) Grip-Lock - STROBES ProLift - STROBES

## RECOMMENDED CROSSBOW LENGTH FOR EACH VEHICLE PLATFORM

**TABLE 68895-2**

VEHICLE PLATFORM		RECOMMENDED CROSSBOW LENGTH	
		HD UTILITY	Grip-Lock / ProLift
<b>FULL SIZE VANS</b>	GM EXPRESS/SAVANAH	68"	58"
	FORD TRANSIT	68"	58"
	MERCEDES SPRINTER	68"	58"
	RAM PROMASTER	68"	68"
	NISSAN NV	68"	58"
<b>COMPACT VANS</b>	FORD TRANSIT CONNECT	58"	48"
	MERCEDES METRIS	58"	58"
	RAM PROMASTER CITY	58"	58"
	NISSAN NV200	58"	N/A
<b>MISC</b>	ENCLOSED SERVICE BODIES	68"	COMING SOON
	OPEN SERVICE BODIES	COMING SOON	COMING SOON
	PICKUP TOPPERS	58"	COMING SOON
	PICKUP TRUCK	68"	COMING SOON
	BOX TRUCK/TRAILERS	BASED ON WIDTH OF VEHICLE	COMING SOON

## WEAR STRIP MODIFICATION INSTRUCTIONS

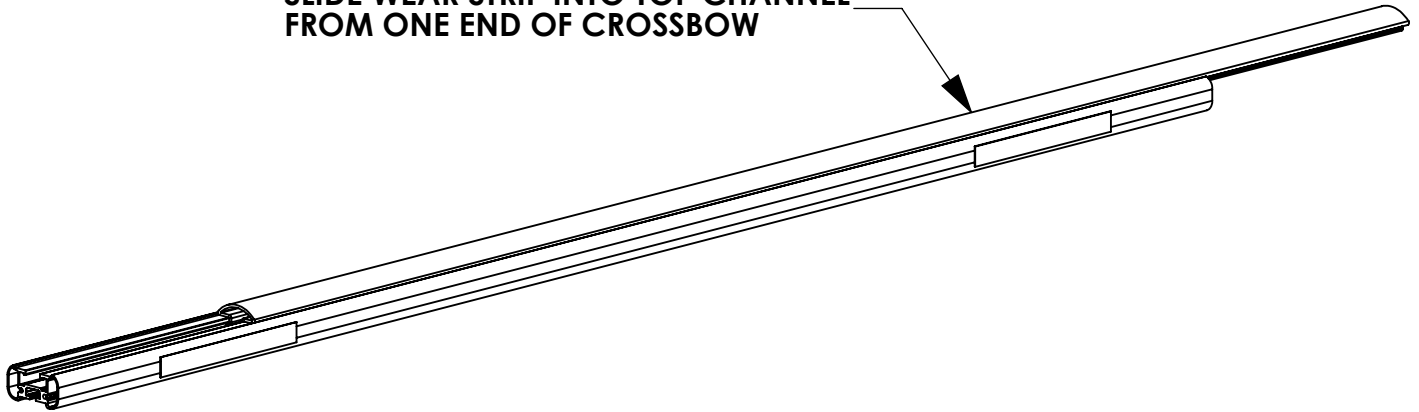
**TABLE 68895-3**

ADDED ACCESSORIES	ALTERATION FOR WEAR STRIP
4" UPRIGHT***	REMOVE 2" FROM END OF WEAR STRIP
4" PVC CONDUIT KIT	REMOVE 7.25" FROM CENTER OF WEAR STRIP
6" PVC CONDUIT KIT	REMOVE 9.50" FROM CENTER OF WEAR STRIP
ALUMINUM BOX CONDUIT KIT	REMOVE 13.25" FROM CENTER OF WEAR STRIP
BEACON	REMOVE 4" FROM CENTER OF WEAR STRIP
ProLift (SINGLE SIDE)	CUT WEAR STRIP IN HALF, DO NOT INSTALL ON ProLift SIDE
ProLift (DOUBLE SIDE)	DO NOT INSTALL WEAR STRIP

**\*\*\*MATERIAL NEEDS TO BE REMOVED FROM EACH SIDE**

## STEP 1 - ASSEMBLE WEAR STRIP TO CROSSBOW

SLIDE WEAR STRIP INTO TOP CHANNEL  
FROM ONE END OF CROSSBOW



REFERENCE TABLE 3 FOR MODIFICATION  
INSTRUCTIONS, IF APPLICABLE

## STEP 2 - ASSEMBLE END CAPS TO CROSSBOW

