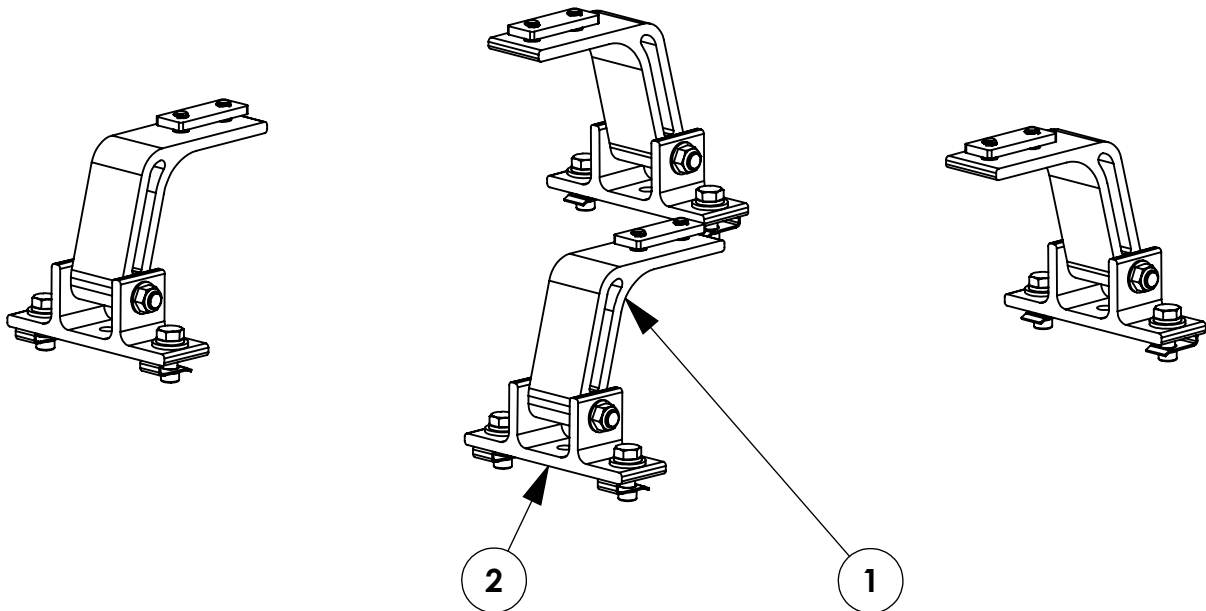


INSTR. NUMBER : 63661	PG: 1	REV: D	ITEM NO.	PART NUMBER	DESCRIPTION	NVMBK4W	NVMBK2W
	PART NUMBER : NVMBK		1	68202-W	PROFILE, MOUNTING ARM, W	4	2
PART DESC. : UTILITY, MNT BKT, KIT, NV		2		63852-W	UTILITY, MOUNTING BRKT, W	4	2

**-PART NUMBERS WITH "-W" SUFFIX ARE PAINTED WHITE
-FOR BLACK MOUNTING KITS, REPLACE "-W" PARTS WITH "-B" PARTS**

NOTE: THIS INSTRUCTION IS VALID FOR THE FOLLOWING KITS:

- NVMBK4W
- NVMBK2W
- NVMBK4B
- NVMBK2B



GET TO KNOW THE VEHICLE - AT THE BEGINNING OF ANY INSTALLATION, CHECK THE LOCATION OF THE FUEL TANK, FUEL LINES, BRAKE LINES, HIGH VOLTAGE BATTERIES AND WIRING HARNESSSES TO AVOID INJURY OR PROPERTY DAMAGE FROM TOOL CONTACT.

SEAL ALL EXTERIOR HOLES - ALL INSTALLATION HOLES SHOULD BE SEALED WITH BUTYL TAPE OR SILICON TO PREVENT WATER AND EXHAUST GASES FROM ENTERING THE VEHICLE.

CONTROL DRILL DEPTH - TO AVOID DAMAGE TO THE VEHICLE, USE A DRILL STOP OR CLEARED STEP BIT WHEN DRILLING INSTALLATION HOLES.

ALWAYS ADD PRIMER - WHEN ADDING INSTALLATION HOLES BE SURE TO USE A SELF-ETCHING PRIMER TO PREVENT CORROSION, FASTENER FAILURE AND INJURY.

MOUNTING POINTS MUST HAVE METAL-TO-METAL CONTACT - USE PROVIDED MOUNTING SPACERS TO ACCOMMODATE FOR VEHICLE FEATURES, CARPET OR SUBFLOORS.

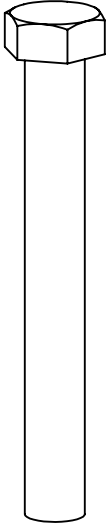
PROVIDE CLEARANCE FOR SPACERS - IF THE INSTALLATION VEHICLE CONTAINS A CARPET OR SUBFLOOR, USE A 1-3/16" DIAMETER CARPET CUTTER (P/N: 31183-0) AT ALL MOUNTING LOCATIONS TO OPEN UP ROOM FOR SPACERS.

CHECK SPACER ORIENTATION - BE SURE THAT THE INDENT IN THE SPACER COVERS THE PLUSNUT HEAD; THIS ENSURES THE MOST METAL-TO-METAL CONTACT AND REDUCES VIBRATION.

PLUSNUT INSTALLATION - A PLUSNUT GUN IS RECOMMENDED FOR PLUSNUT INSTALLATION FOR ITS PRODUCTION SPEED. HOWEVER, A PLUSNUT SETTING TOOL CAN ALSO BE USED (P/N: 22200-0).

THRU-BOLT CLEARANCE - WHEN USING A THRU-BOLT AT ANY MOUNTING LOCATION, BE SURE THAT YOUR HOLE HAS 1/16" CLEARANCE.

FASTENERS USED



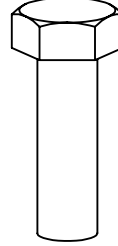
FAS0243
5/16-18 X 2.5 SS
HH SCREW
QTY: 4



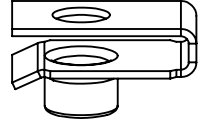
FAS0552
5/16 SS
FLAT WASHER
QTY: 12



FAS0588
5/16 SS
SPLIT WASHER
QTY: 8



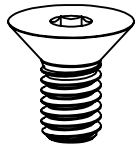
FAS0597
5/16-18X1 SS
HH SCREW
QTY: 8



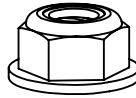
FAS0759
5/16-18 ZP
U NUT
QTY: 8



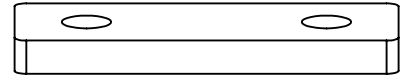
FAS0857
5/16 SS, CS
LCK EXT WASHER
QTY: 8



FAS0858
5/16-18 X .625 SS
FHH SCREW
QTY: 8

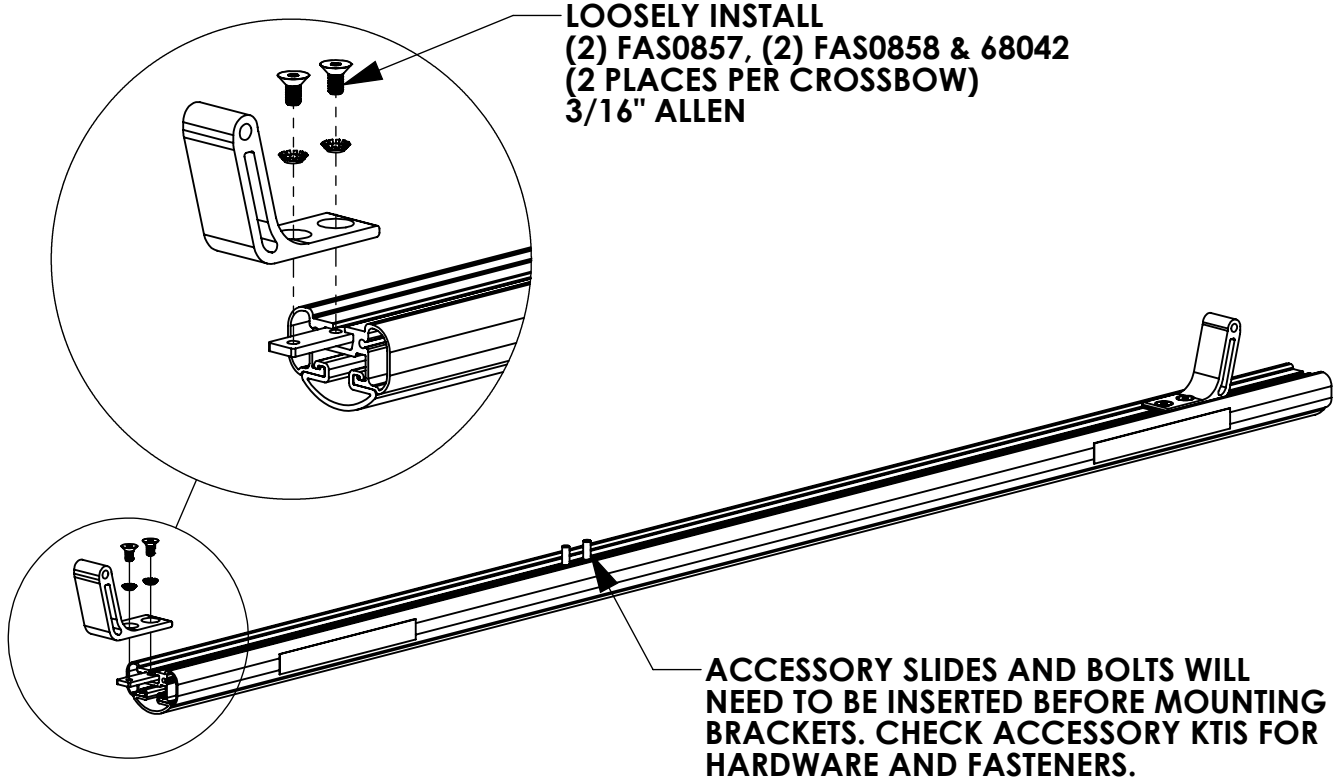


FAS0861
5/16-18 SS
HFLNG NUT
QTY: 4



68042
PROFILE FOOT
MTG PLATE
QTY: 4

STEP 1 - ASSEMBLE MOUNTING ARMS TO CROSSBOW



STEP 2 - INSTALL MOUNTING BRACKETS TO VEHICLE ROOF

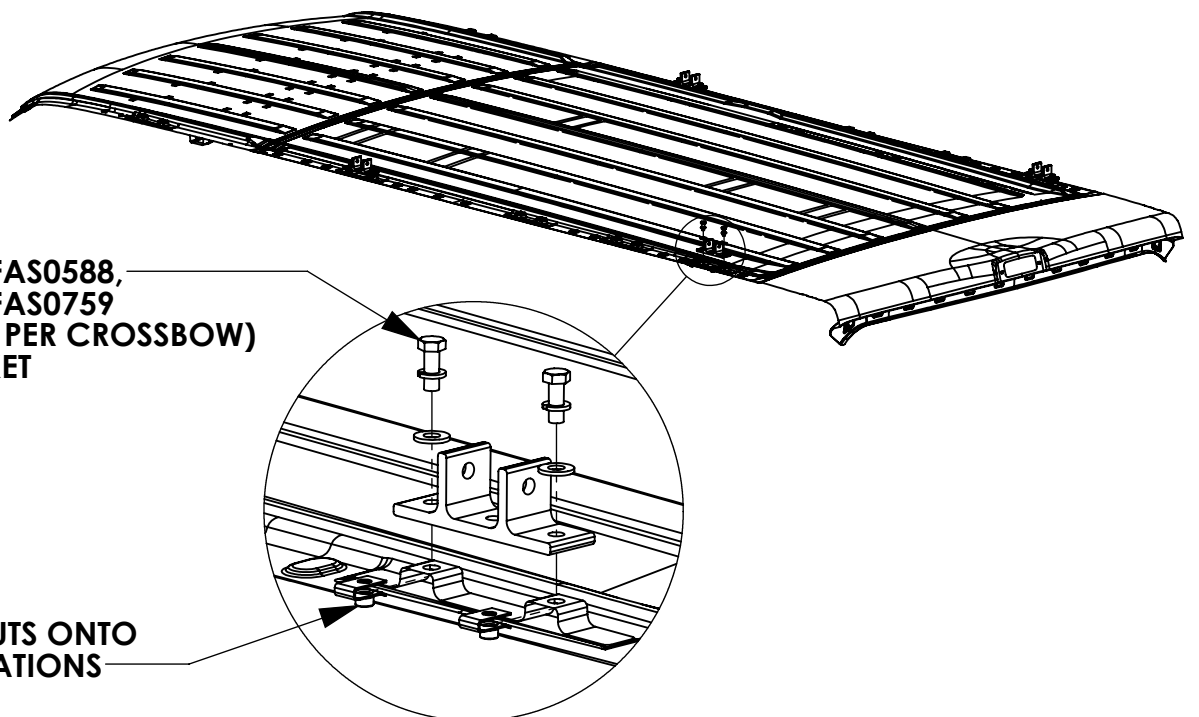
CROSSBOW POSITIONING NOTES:

REAR CROSSBOW - REAR OEM MOUNTING LOCATION

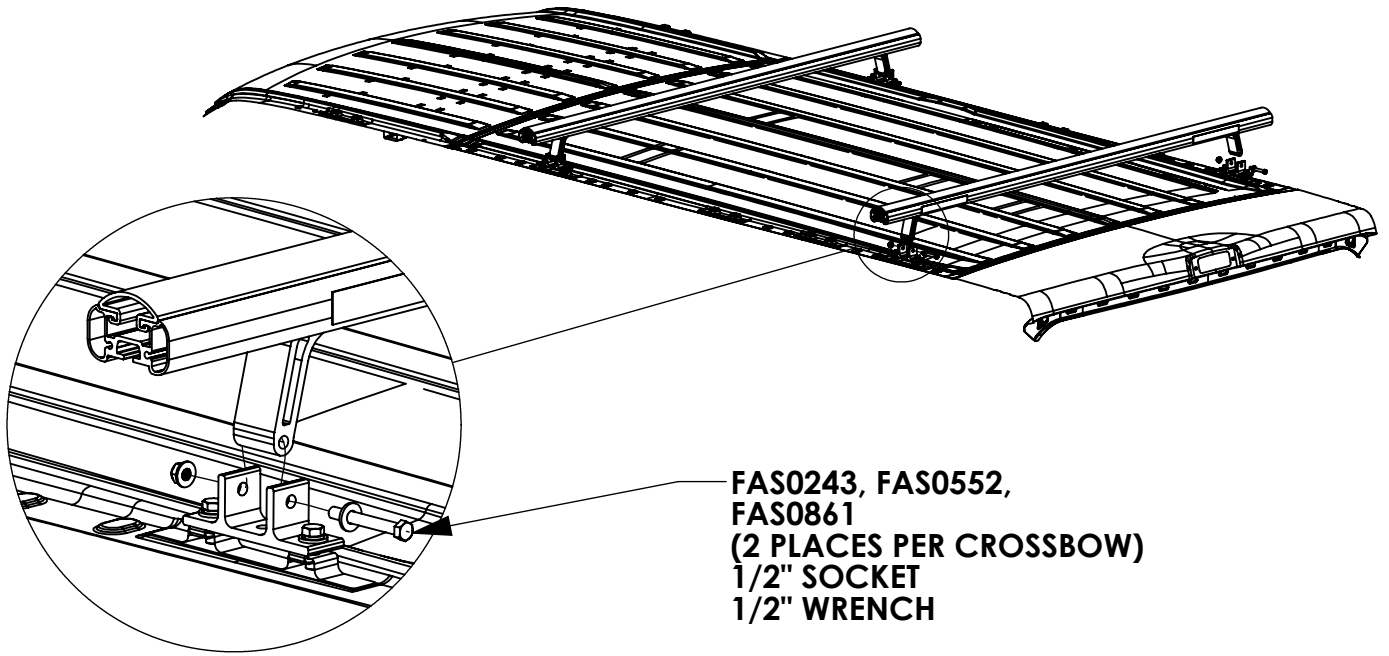
FRONT CROSSBOW - POSITION TO BEST FIT END USER'S PRODUCT

FAS0283, FAS0588,
FAS0552, FAS0759
(4 PLACES PER CROSSBOW)
1/2" SOCKET

SLIDE U-NUTS ONTO
OEM LOCATIONS



STEP 3 - ATTACH CROSSBOW ASSEMBLY TO MOUNTING BRACKETS



STEP 4 - SECURE CROSSBOW

