



Mounting Bracket Kit, 2-Pack, White, NV

PRODUCT WEIGHT
1.8 LBS

HEIGHT OFF ROOF

SEE TABLE BELOW

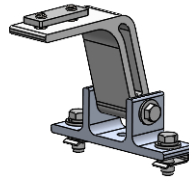
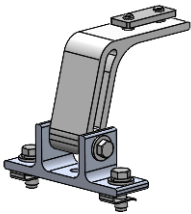
CAPACITY
**REFER TO OEM'S
RECOMMENDED LOAD
RATING**

COLOR

WHITE

CATALOG NUMBER

NVMBK2W



PRODUCT FEATURES

Nissan NV aluminum mounting bracket kit for the PROFILE™ HD Utility Racks to add additional crossbars to 2-Bar rack. Mounting kit works for low roof vehicles. Can be mounted to any OEM mounting locations to best fit customer's product.

Utility racks are not recommended for high roof vehicles!

Does not work with grip lock or drop down style racks.

SEE PAGE 2 FOR APPLICATION NOTES AND ACCESSORIES, OTHER PRODUCTS THAT WORK WITH THIS UNIT.

PAGE 1 of 2

The information contained in this document is the sole property of ADRIAN STEEL COMPANY. ADRIAN STEEL COMPANY retains the right to modify and/or change the product of its design at any time without prior notification.



CATALOG NUMBER NVMBK2W

PRODUCT APPLICATION

This product is designed to be installed on Nissan NV vans. HD Utility Racks are not recommended for high roof vehicles!

ACCESSORIES THAT WILL WORK WITH THIS PRODUCT

CATALOG NUMBER	DESCRIPTION	CATALOG NUMBER	DESCRIPTION
NVMBK4W	Mounting Bracket Kit, 4-Pack, White, NV	4UPK4B	4" Upright Kit, 4-Pack, Black
2BARW	2-Crossbar Kit, 68", White, Full Size Van	4UPK2B	4" Upright Kit, 2-Pack, Black
1BARW	Single Crossbar Kit, 68", White, Full Size Van	6UPK4B	6" Upright Kit, 4-Pack, Black
RRBNVW	Rear Roller Assist Bar, White, NV	6UPK2B	6" Upright Kit, 2-Pack, Black
70-1NGLR	4" End Cap for PVC Conduit	9UPK4B	9" Upright Kit, 4-Pack, Black
70-2NGLR	6" End Cap for PVC Conduit	9UPK2B	9" Upright Kit, 2-Pack, Black
80-1NGLR	Conduit Kit, 10w x 6h x 126d, Multiple Vehicles	RSK1B	Single Ratchet Upright Kit, 9"
80-2NGLR	Conduit Kit, 10w x 6h x 150d, Multiple Vehicles	ULSKB	Single Ladder Stop Kit

LADDER RACK HEIGHTS MEASURED FROM ROOF OF VEHICLE

CONFIGURATION	RACK HEIGHT
Base Rack	4.6"
Base + Ladder Stop	10.1"
Base + 4" Uprights	8.1"
Base + 6" Uprights	10.1"
Base + 9"/Ratchet Uprights	13.1"
Base + 4" PVC Conduit Kit	9"
Base + 6" PVC Conduit Kit	11"
Base + Aluminum Box Conduit Kit	11.1"

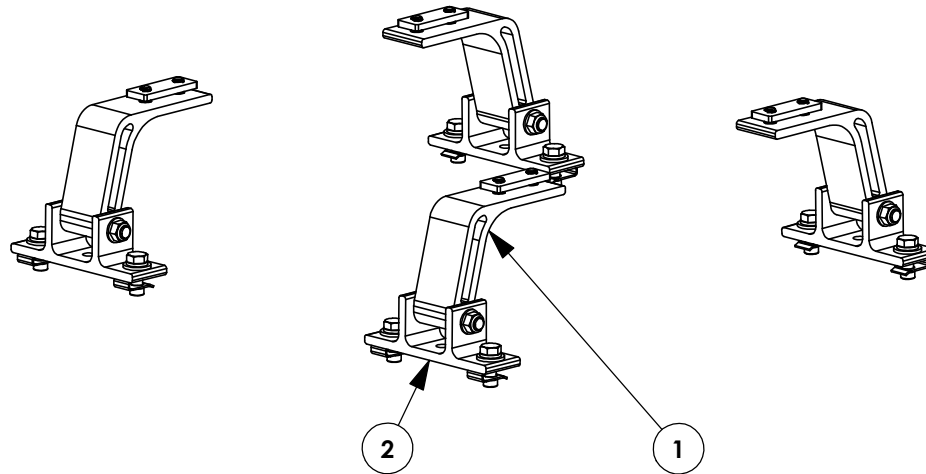
INSTR. NUMBER : 63661	PG: 1	REV: E	ITEM NO.	PART NUMBER	DESCRIPTION	NVMBK4W	NVMBK2W
PART NUMBER : NVMBK			1	68202-W	PROFILE, MOUNTING ARM, W	4	2
			2	63852-W	UTILITY, MOUNTING BRKT, W	4	2

PART •
DESC. • UTILITY,MNT BKT,KIT,NV

**-PART NUMBERS WITH "-W" SUFFIX ARE PAINTED WHITE
-FOR BLACK MOUNTING KITS, REPLACE "-W" PARTS WITH
"-B" PARTS**

**NOTE: THIS INSTRUCTION
IS VALID FOR THE
FOLLOWING KITS:**

- NVMBK4W**
- NVMBK2W**
- NVMBK4B**
- NVMBK2B**



GET TO KNOW THE VEHICLE - AT THE BEGINNING OF ANY INSTALLATION, CHECK THE LOCATION OF THE FUEL TANK, FUEL LINES, BRAKE LINES, HIGH VOLTAGE BATTERIES AND WIRING HARNESSSES TO AVOID INJURY OR PROPERTY DAMAGE FROM TOOL CONTACT.

SEAL ALL EXTERIOR HOLES - ALL INSTALLATION HOLES SHOULD BE SEALED WITH BUTYL TAPE OR SILICON TO PREVENT WATER AND EXHAUST GASES FROM ENTERING THE VEHICLE.

CONTROL DRILL DEPTH - TO AVOID DAMAGE TO THE VEHICLE, USE A DRILL STOP OR CLEARED STEP BIT WHEN DRILLING INSTALLATION HOLES.

ALWAYS ADD PRIMER - WHEN ADDING INSTALLATION HOLES BE SURE TO USE A SELF-ETCHING PRIMER TO PREVENT CORROSION, FASTENER FAILURE AND INJURY.

MOUNTING POINTS MUST HAVE METAL-TO-METAL CONTACT - USE PROVIDED MOUNTING SPACERS TO ACCOMMODATE FOR VEHICLE FEATURES, CARPET OR SUBFLOORS.

PROVIDE CLEARANCE FOR SPACERS - IF THE INSTALLATION VEHICLE CONTAINS A CARPET OR SUBFLOOR, USE A 1-3/16" DIAMETER CARPET CUTTER (P/N: 31183-0) AT ALL MOUNTING LOCATIONS TO OPEN UP ROOM FOR SPACERS.

CHECK SPACER ORIENTATION - BE SURE THAT THE INDENT IN THE SPACER COVERS THE PLUSNUT HEAD; THIS ENSURES THE MOST METAL-TO-METAL CONTACT AND REDUCES VIBRATION.

PLUSNUT INSTALLATION - A PLUSNUT GUN IS RECOMMENDED FOR PLUSNUT INSTALLATION FOR ITS PRODUCTION SPEED. HOWEVER, A PLUSNUT SETTING TOOL CAN ALSO BE USED (P/N: 22200-0).

THRU-BOLT CLEARANCE - WHEN USING A THRU-BOLT AT ANY MOUNTING LOCATION, BE SURE THAT YOUR HOLE HAS 1/16" CLEARANCE.

FASTENERS USED



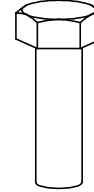
FAS0243
5/16-18 X 2.5 SS
HH SCREW
QTY: 4



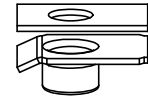
FAS0552
5/16 SS
FLAT WASHER
QTY: 12



FAS0588
5/16 SS
SPLIT WASHER
QTY: 8



FAS0597
5/16-18X1 SS
HH SCREW
QTY: 8



FAS0759
5/16-18 ZP
U NUT
QTY: 8



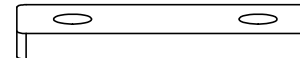
FAS0857
5/16 SS, CS
LCK EXT WASHER
QTY: 8



FAS0858
5/16-18 X .625 SS
FHH SCREW
QTY: 8



FAS0861
5/16-18 SS
HFLNG NUT
QTY: 4

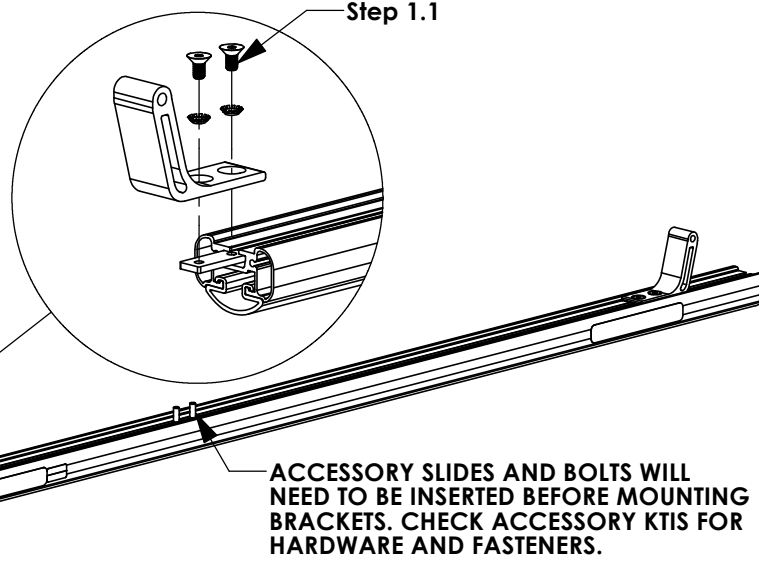


68042
PROFILE FOOT
MTG PLATE
QTY: 4

INTENTIONALLY LEFT BLANK

STEP 1 - ASSEMBLE MOUNTING ARMS TO CROSSBOW

Step 1.1
LOOSELY ASSEMBLE
UNTIL AFTER STEP 4
(2) FAS0857, (2)
FAS0858 & 68042
(2 PLACES PER
CROSSBOW)
3/16" ALLEN

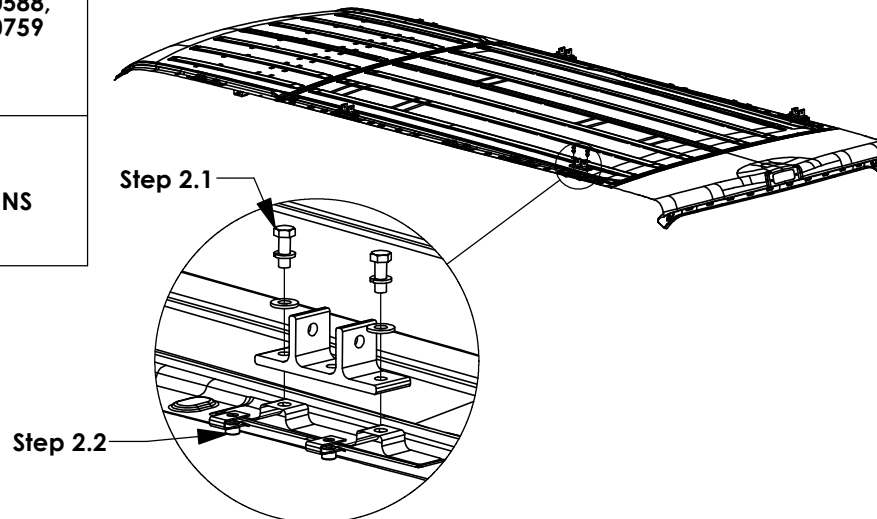


STEP 2 - INSTALL MOUNTING BRACKETS TO VEHICLE ROOF

Step 2.1
LOOSELY ASSEMBLE
UNTIL AFTER STEP 4
FAS0283, FAS0588,
FAS0552, FAS0759
(4 PLACES PER
CROSSBOW)
1/2" SOCKET

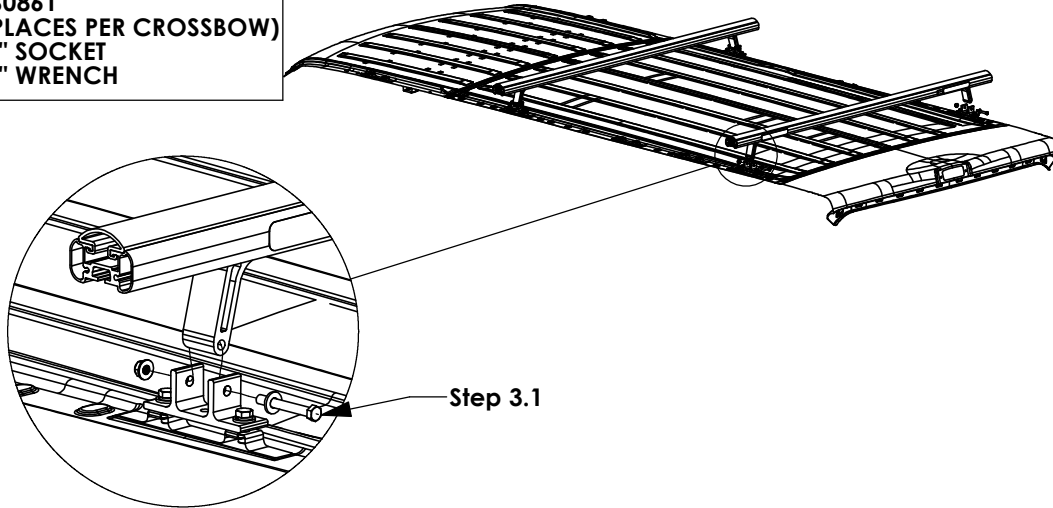
Step 2.2:
SLIDE U-NUTS
ONTO
OEM LOCATIONS

CROSSBOW POSITIONING NOTES:
REAR CROSSBOW - REAR OEM MOUNTING LOCATION
FRONT CROSSBOW - POSITION TO BEST FIT END USER'S PRODUCT



STEP 3 - ATTACH CROSSBOW ASSEMBLY TO MOUNTING BRACKETS

Step 3.1
FULLY TIGHTEN
FAS0243, FAS0552,
FAS0861
(2 PLACES PER CROSSBOW)
1/2" SOCKET
1/2" WRENCH



STEP 4 - SECURE CROSSBOW

Step 4.1
CENTER CROSSBOW AND
SECURE MOUNTING
BRACKETS
(4 PLACES PER
CROSSBOW)
3/16" ALLEN

