

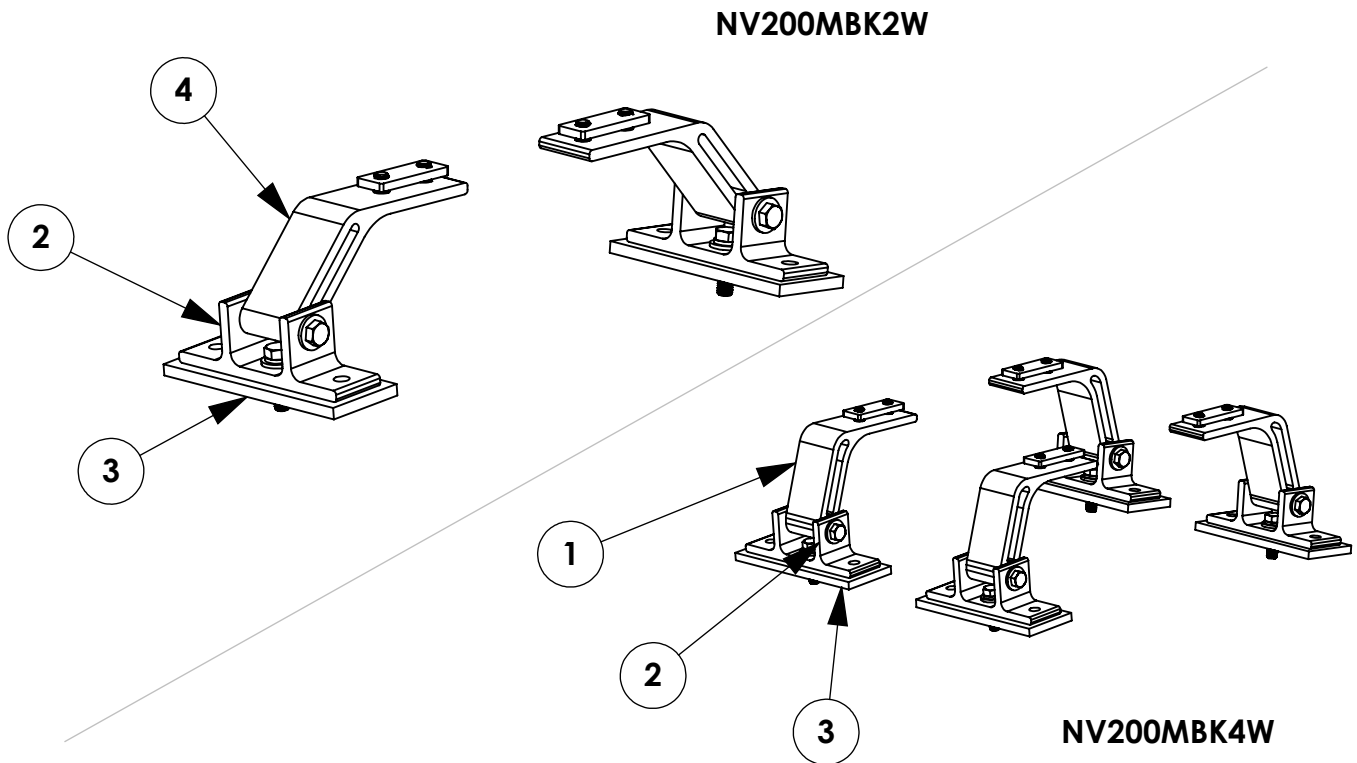
INSTR. NUMBER : 64476	PG: 1	REV: A	ITEM NO.	PART NUMBER	DESCRIPTION	NV200MBK4W	NV200MBK2W
PART NUMBER : NV200MBK			1	68202-W	PROFILE, MOUNTING ARM, W	4	-
			2	63852-W	UTILITY, MOUNTING BRKT, W	4	2
			3	47106	GASKET, FOOT, MR TRANS L/R	4	2
			4	65123-W	UTILITY, FT MOUNT ARM, ST, W	-	2

PART •NV200 MOUNTING
DESC. •BRKT KIT

**-PART NUMBERS WITH "-W" SUFFIX ARE PAINTED WHITE
-FOR BLACK MOUNTING KITS, REPLACE "-W" PARTS WITH "-B" PARTS**

NOTE: THIS INSTRUCTION IS VALID FOR THE FOLLOWING KITS:

- NV200MBK4W
- NV200MBK2W
- NV200MBK4B
- NV200MBK2B



GET TO KNOW THE VEHICLE - AT THE BEGINNING OF ANY INSTALLATION, CHECK THE LOCATION OF THE FUEL TANK, FUEL LINES, BRAKE LINES, HIGH VOLTAGE BATTERIES AND WIRING HARNESSSES TO AVOID INJURY OR PROPERTY DAMAGE FROM TOOL CONTACT.

SEAL ALL EXTERIOR HOLES - ALL INSTALLATION HOLES SHOULD BE SEALED WITH BUTYL TAPE OR SILICON TO PREVENT WATER AND EXHAUST GASES FROM ENTERING THE VEHICLE.

CONTROL DRILL DEPTH - TO AVOID DAMAGE TO THE VEHICLE, USE A DRILL STOP OR CLEARED STEP BIT WHEN DRILLING INSTALLATION HOLES.

ALWAYS ADD PRIMER - WHEN ADDING INSTALLATION HOLES BE SURE TO USE A SELF-ETCHING PRIMER TO PREVENT CORROSION, FASTENER FAILURE AND INJURY.

MOUNTING POINTS MUST HAVE METAL-TO-METAL CONTACT - USE PROVIDED MOUNTING SPACERS TO ACCOMMODATE FOR VEHICLE FEATURES, CARPET OR SUBFLOORS.

PROVIDE CLEARANCE FOR SPACERS - IF THE INSTALLATION VEHICLE CONTAINS A CARPET OR SUBFLOOR, USE A 1-3/16" DIAMETER CARPET CUTTER (P/N: 31183-0) AT ALL MOUNTING LOCATIONS TO OPEN UP ROOM FOR SPACERS.

CHECK SPACER ORIENTATION - BE SURE THAT THE INDENT IN THE SPACER COVERS THE PLUSNUT HEAD; THIS ENSURES THE MOST METAL-TO-METAL CONTACT AND REDUCES VIBRATION.

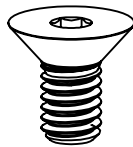
PLUSNUT INSTALLATION - A PLUSNUT GUN IS RECOMMENDED FOR PLUSNUT INSTALLATION FOR ITS PRODUCTION SPEED. HOWEVER, A PLUSNUT SETTING TOOL CAN ALSO BE USED (P/N: 22200-0).

THRU-BOLT CLEARANCE - WHEN USING A THRU-BOLT AT ANY MOUNTING LOCATION, BE SURE THAT YOUR HOLE HAS 1/16" CLEARANCE.

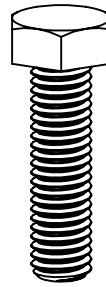
FASTENERS USED



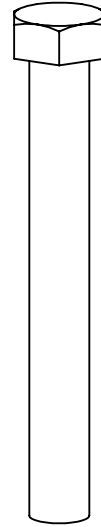
FAS0857
5/16 SS WASHER,
LCK EXT CS
QTY: 8



FAS0858
5/16-18X.63 SS
FHH SCREW
QTY: 8



FAS0178
M8-1.25X30 SS
HH SCREW
QTY: 4



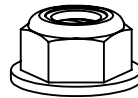
FAS0243
5/16-18X2.5 SS
HH SCREW
QTY: 4



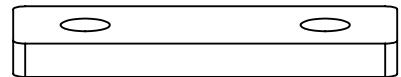
FAS0588
5/16 SS
SPLIT WASHER
QTY: 4



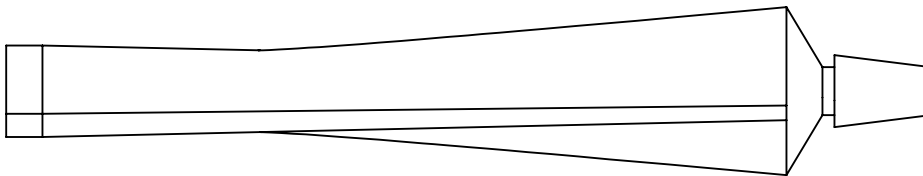
FAS0552
5/16 SS
FLAT WASHER
QTY: 8



FAS0861
5/16-18 SS
HH FLG NUT
QTY: 4

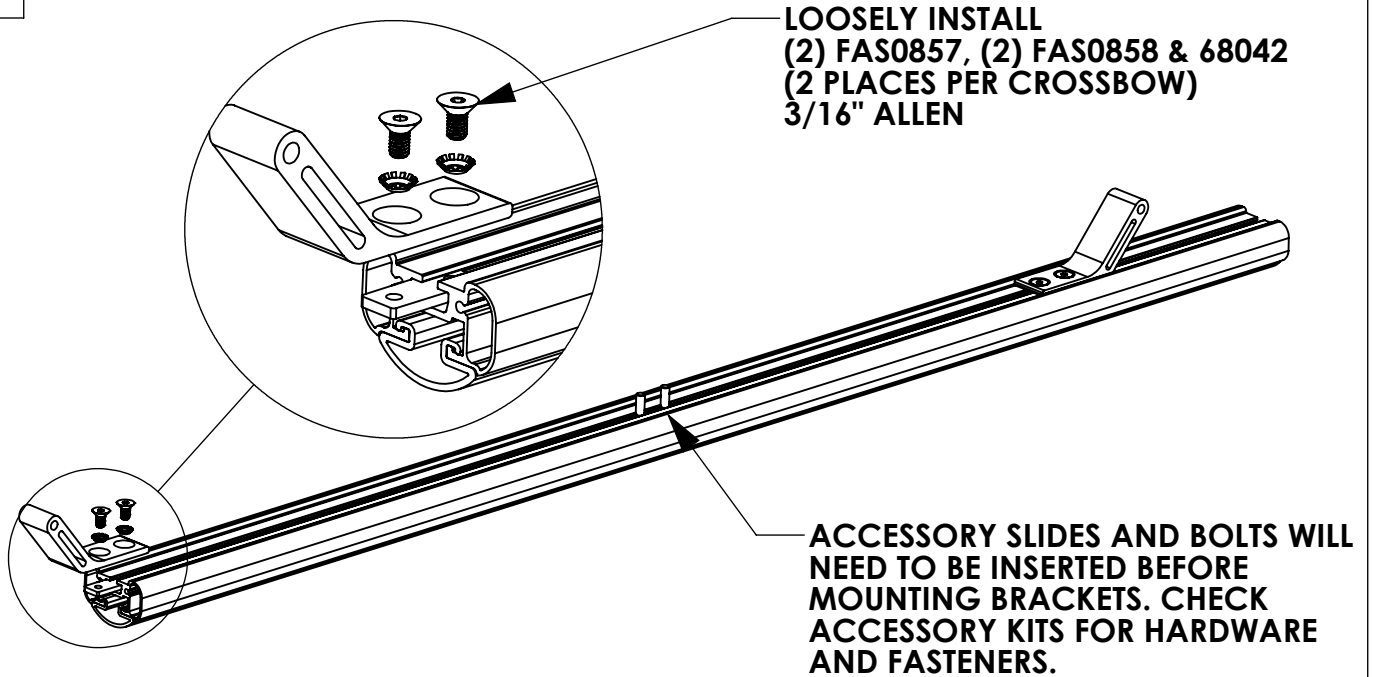


68042
PROFILE FOOT
MOUNTING PLATE
QTY: 4



26618-0
SILICONE
1 OZ TUBE
QTY: 1

STEP 1 - ASSEMBLE MOUNTING ARMS TO CROSSBOW



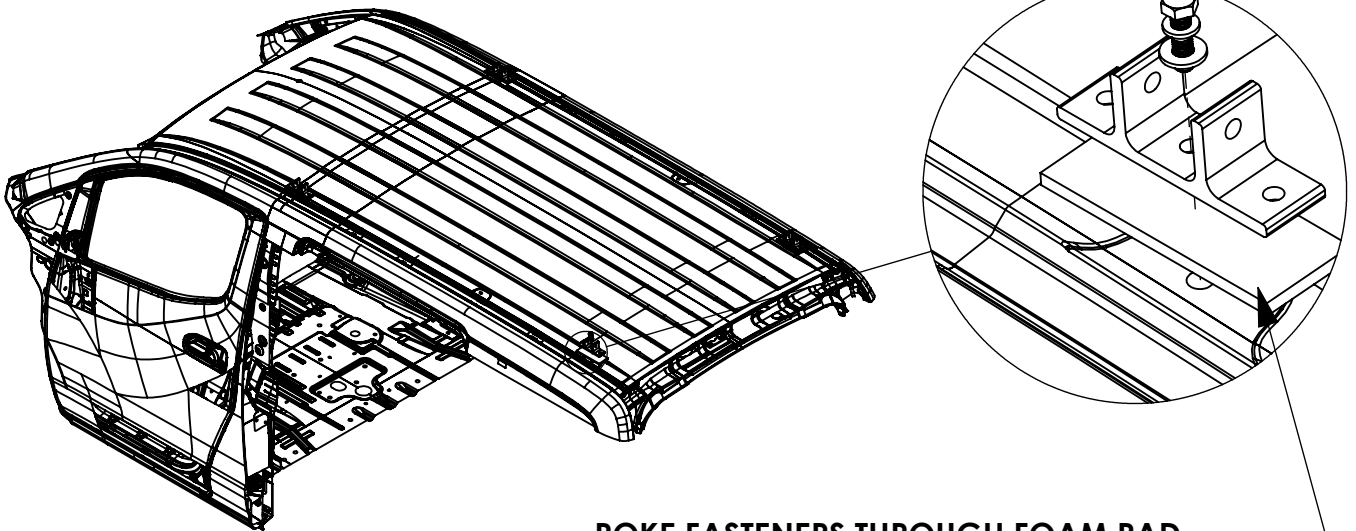
USE TALL MOUNTING ARM 68202-W FOR FRONT AND REAR CROSSBOWS. IF
INSTALLING MIDDLE CROSSBOW TO, USE SHORTER MOUNTING ARM 68040-W

STEP 2 - INSTALL MOUNTING BRACKETS TO VEHICLE ROOF

CROSSBOW POSITIONING NOTES:

REAR CROSSBOW - REAR OEM MOUNTING LOCATION
FRONT CROSSBOW - POSITION TO BEST FIT END USER'S PRODUCT

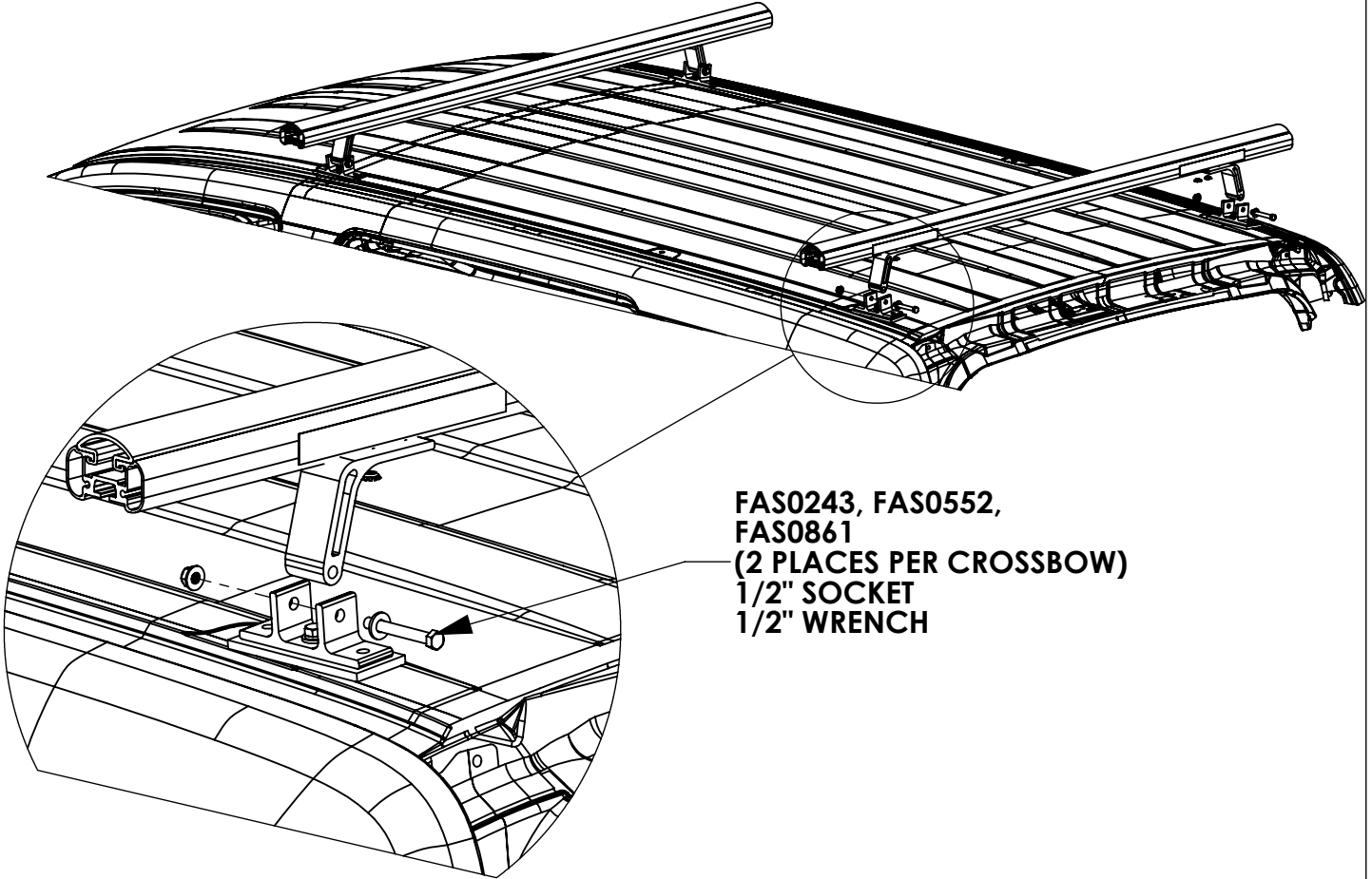
FAS0178, FAS0588, FAS0552,
(2 PLACES PER CROSSBOW)
1/2" SOCKET



POKE FASTENERS THROUGH FOAM PAD

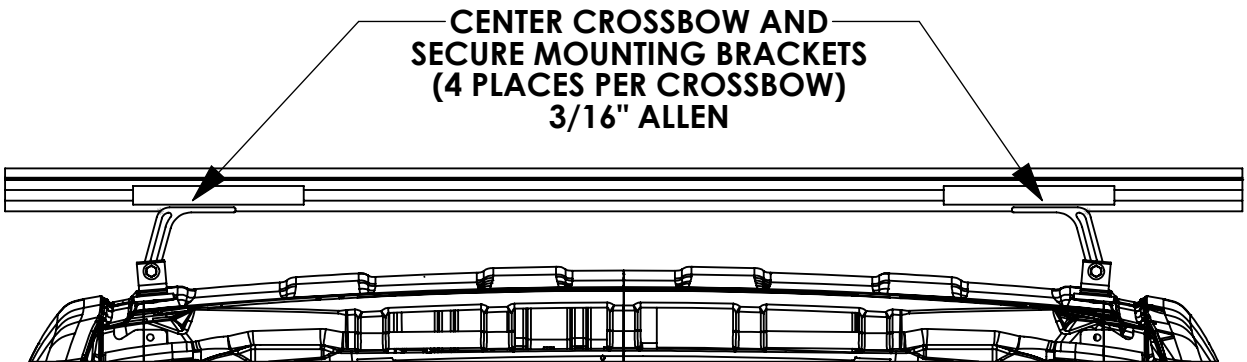
APPLY SILICONE TO THREADED OEM HOLE AND
BOLT BEFORE TIGHTENING

STEP 3 - ATTACH CROSSBOW ASSEMBLY TO MOUNTING BRACKETS



**FAS0243, FAS0552,
FAS0861
(2 PLACES PER CROSSBOW)
1/2" SOCKET
1/2" WRENCH**

STEP 4 - SECURE CROSSBOW



**CENTER CROSSBOW AND
SECURE MOUNTING BRACKETS
(4 PLACES PER CROSSBOW)
3/16" ALLEN**