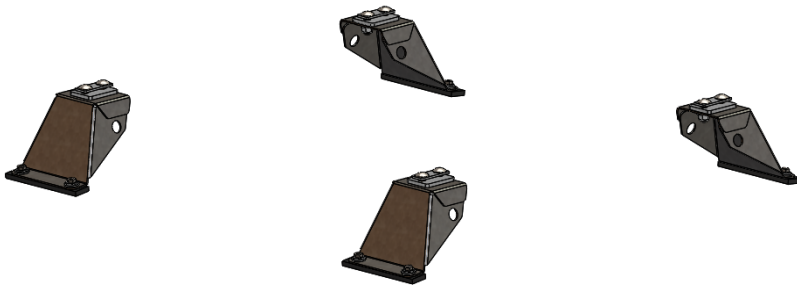




Mounting Bracket Kit, 4-Pack, White, Metris



PRODUCT WEIGHT
5 LBS

HEIGHT OFF ROOF
SEE TABLE BELOW

CAPACITY
**REFER TO OEM'S
RECOMMENDED LOAD
RATING**
COLOR

WHITE

CATALOG NUMBER

MMMBK4W

PRODUCT FEATURES

Mercedes Metris galvanized steel mounting bracket kit for the PROFILE™ HD Utility Rack. Mounting kit works for both 126" and 135" wheelbase vehicles. Can be mounted to any OEM mounting locations to best fit customer's product.

Does not work with grip lock or drop down style racks.

SEE PAGE 2 FOR APPLICATION NOTES AND ACCESSORIES, OTHER PRODUCTS THAT WORK WITH THIS UNIT.

PAGE 1 of 2

The information contained in this document is the sole property of ADRIAN STEEL COMPANY. ADRIAN STEEL COMPANY retains the right to modify and/or change the product of its design at any time without prior notification.



CATALOG NUMBER MMMBK4W

PRODUCT APPLICATION

This product is designed to be installed on Mercedes Metris vans.

ACCESSORIES THAT WILL WORK WITH THIS PRODUCT

CATALOG NUMBER	DESCRIPTION	CATALOG NUMBER	DESCRIPTION
MMMBK2W	Mounting Bracket Kit, 2-Pack, White, Metris	4UPK4B	4" Upright Kit, 4-Pack, Black
2BARCW	2-Crossbar Kit, 58", White, Minivan	4UPK2B	4" Upright Kit, 2-Pack, Black
1BARCW	Single Crossbar Kit, 58", White, Minivan	6UPK4B	6" Upright Kit, 4-Pack, Black
70-1NGLR	4" End Cap for PVC Conduit	6UPK2B	6" Upright Kit, 2-Pack, Black
70-2NGLR	6" End Cap for PVC Conduit	9UPK4B	9" Upright Kit, 4-Pack, Black
		9UPK2B	9" Upright Kit, 2-Pack, Black
		RSK1B	Single Ratchet Upright Kit, 9"
		ULSKB	Single Ladder Stop Kit

LADDER RACK HEIGHTS MEASURED FROM ROOF OF VEHICLE

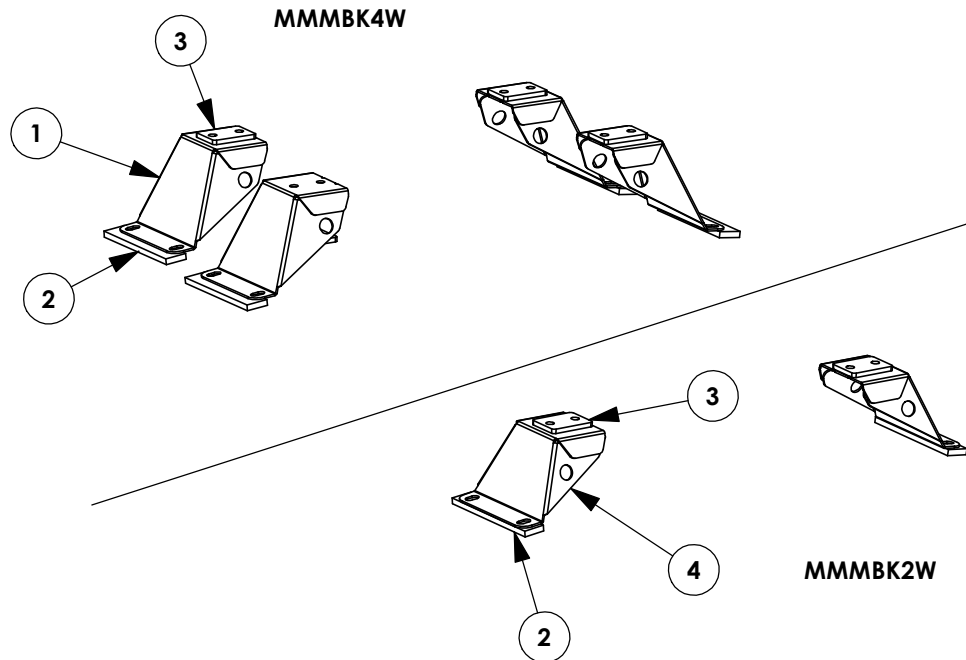
CONFIGURATION	RACK HEIGHT
Base Rack	4.7"
Base + Ladder Stop	10.2"
Base + 4" Uprights	8.2"
Base + 6" Uprights	10.2"
Base + 9"/Ratchet Uprights	13.2"
Base + 4" PVC Conduit Kit	9.1"
Base + 6" PVC Conduit Kit	11.1"
Base + Aluminum Box Conduit Kit	11.2"

INSTR. NUMBER : 64474	PG: 1	REV: D	ITEM NO.	PART NUMBER	DESCRIPTION	MMMBK4W	MMMBK2W
	PART NUMBER : MMMBK		1	63913-W	UTILITY,METRIS MNT BKT, W	4	-
PART DESC. : UTILITY, MNT BKT KT, MM			2	47106	Gasket, Foot, FST	2	1
			3	63933	UTILITY, COM MOUNT PLATE	4	2
			4	70208-W	UTILITY,METRIS MNT BRK, WHITE	-	2

- PART NUMBERS WITH "-W" SUFFIXS ARE PAINTED WHITE
- FOR BLACK MOUNTING KITS, REPLACE "-W" WITH "-B" PARTS

NOTE: THIS INSTRUCTION IS VALID FOR ANY OF THE FOLLOWING KITS:

- MMBK4W
- MMBK2W
- MMBK4B
- MMBK2B



GET TO KNOW THE VEHICLE - AT THE BEGINNING OF ANY INSTALLATION, CHECK THE LOCATION OF THE FUEL TANK, FUEL LINES, BRAKE LINES, HIGH VOLTAGE BATTERIES AND WIRING HARNESSSES TO AVOID INJURY OR PROPERTY DAMAGE FROM TOOL CONTACT.

SEAL ALL EXTERIOR HOLES - ALL INSTALLATION HOLES SHOULD BE SEALED WITH BUTYL TAPE OR SILICON TO PREVENT WATER AND EXHAUST GASES FROM ENTERING THE VEHICLE.

CONTROL DRILL DEPTH - TO AVOID DAMAGE TO THE VEHICLE, USE A DRILL STOP OR CLEARED STEP BIT WHEN DRILLING INSTALLATION HOLES.

ALWAYS ADD PRIMER - WHEN ADDING INSTALLATION HOLES BE SURE TO USE A SELF-ETCHING PRIMER TO PREVENT CORROSION, FASTENER FAILURE AND INJURY.

MOUNTING POINTS MUST HAVE METAL-TO-METAL CONTACT - USE PROVIDED MOUNTING SPACERS TO ACCOMMODATE FOR VEHICLE FEATURES, CARPET OR SUBFLOORS.

PROVIDE CLEARANCE FOR SPACERS - IF THE INSTALLATION VEHICLE CONTAINS A CARPET OR SUBFLOOR, USE A 1-3/16" DIAMETER CARPET CUTTER (P/N: 31183-0) AT ALL MOUNTING LOCATIONS TO OPEN UP ROOM FOR SPACERS.

CHECK SPACER ORIENTATION - BE SURE THAT THE INDENT IN THE SPACER COVERS THE PLUSNUT HEAD; THIS ENSURES THE MOST METAL-TO-METAL CONTACT AND REDUCES VIBRATION.

PLUSNUT INSTALLATION - A PLUSNUT GUN IS RECOMMENDED FOR PLUSNUT INSTALLATION FOR ITS PRODUCTION SPEED. HOWEVER, A PLUSNUT SETTING TOOL CAN ALSO BE USED (P/N: 22200-0).

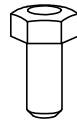
THRU-BOLT CLEARANCE - WHEN USING A THRU-BOLT AT ANY MOUNTING LOCATION, BE SURE THAT YOUR HOLE HAS 1/16" CLEARANCE.

FASTENERS USED

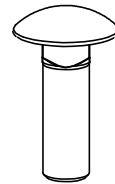
QUANTITIES ARE LISTED FOR MMMBK4W,
WILL VARY FOR DIFFERENT QUANTITY
OF CROSSBOWS



FAS0248
5/16-18 SS
NLK HH NUT
QTY: 8



FAS0268
M6-1.0X14 SS
HLFNG SCREW
QTY: 8



FAS0398
5/16-18X1 SS
CRG BOLT
QTY: 8



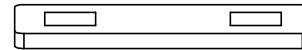
FAS0234
1/4 SS
FLAT WASHER
QTY: 8



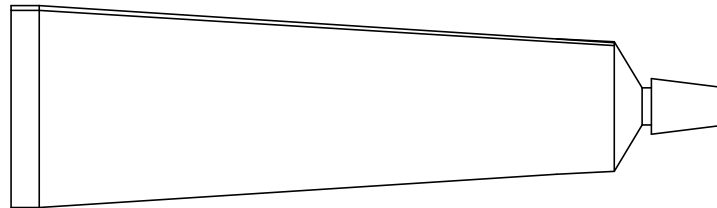
FAS0672
1/4 SS
SPLIT WASHER
QTY: 8



FAS0552
5/16 SS
FLAT WASHER
QTY: 8



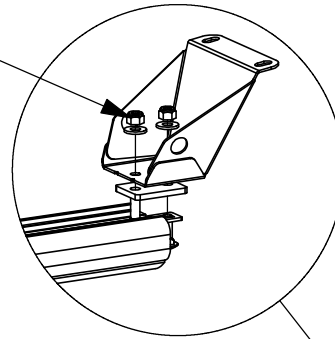
63934
UTILITY,
BOLT PLATE
QTY: 4



26618-0
SILICONE
1 OZ TUBE

STEP 1 - ASSEMBLE MOUNTING BRACKETS TO CROSSBOW

(2)FAS0398, 63934,
(2)FAS0552, (2)FAS0248
(2 PLACES PER CROSSBOW)
LOOSE INSTALL

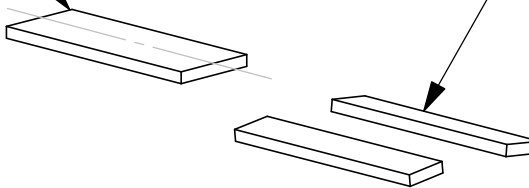


ACCESSORY SLIDES AND BOLTS WILL
NEED TO BE INSERTED BEFORE MOUNTING
BRACKETS, CHECK ACCESSORY KITS FOR
HARDWARE AND FASTENERS



STEP 2 - CUT FOAM STRIPS IN HALF

CUT BOTH FOAM
STRIPS IN HALF
DOWN THE LENGTH



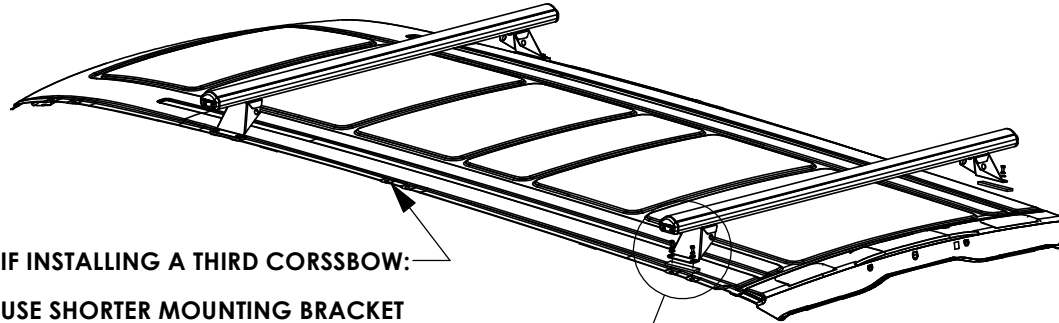
USE (1) OF THESE
HALVES FOR EACH
MOUNTING BRACKET

STEP 3 - INSTALL CROSSBOW ASSEMBLY TO VAN ROOF

CROSSBOW POSITIONING NOTES:

REAR CROSSBOW - REAR OEM MOUNTING LOCATION

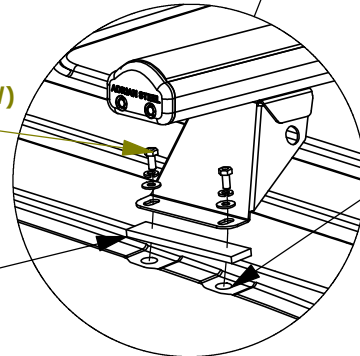
FRONT CROSSBOW - POSITION TO BEST FIT END USER'S PRODUCT



IF INSTALLING A THIRD CROSSBOW:

USE SHORTER MOUNTING BRACKET
(70208-W) FOR THE MIDDLE CROSSBOW

FAS0268, FAS0672
FAS0234
(4 PLACES PER CROSSBOW)
10mm SOCKET



MOUNT TO OEM
LOCATIONS

POKE FASTENERS
THROUGH FOAM PAD

STEP 4 - SECURE CROSSBOW

MEASURE TO OUTSIDE
EDGE OF MOUNTING BRACKET

