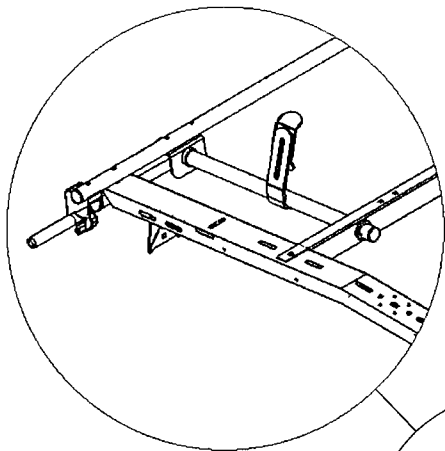


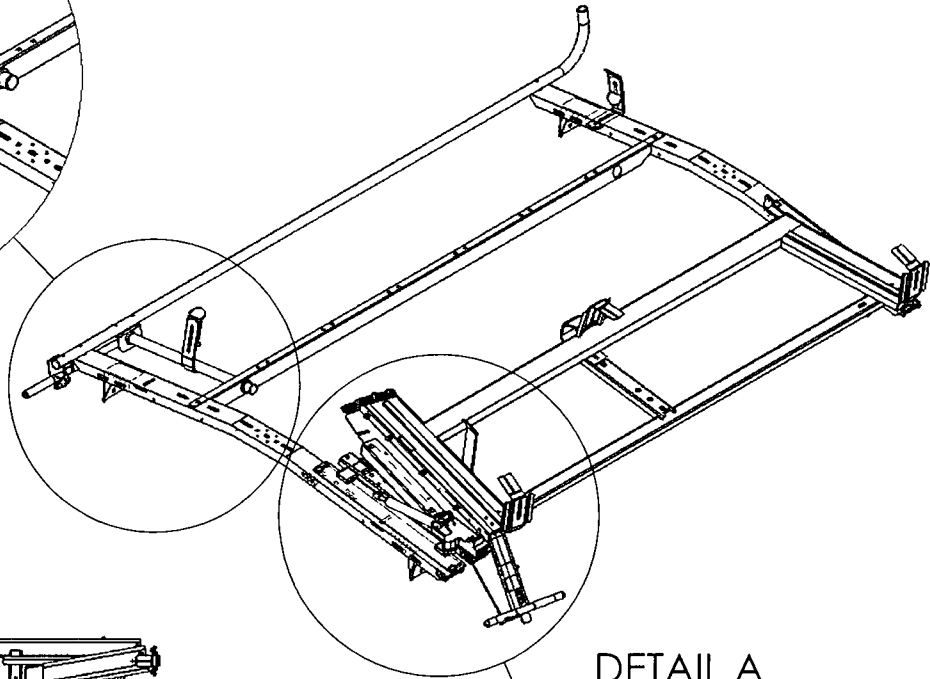
REVISION LEVEL
B

Part Number
LR6400WCF

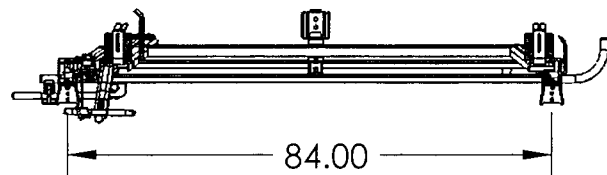
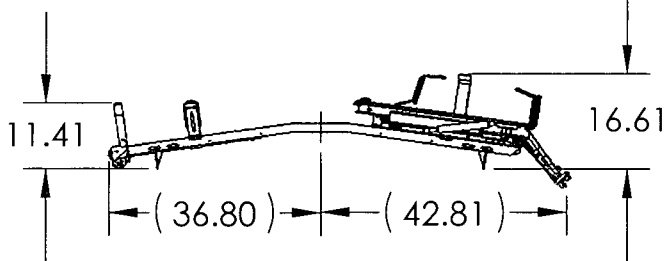
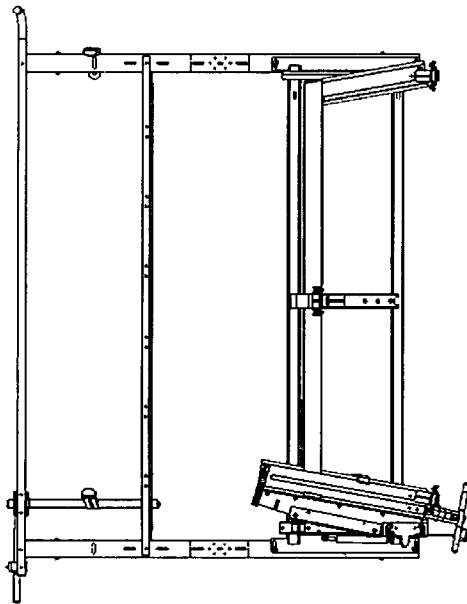
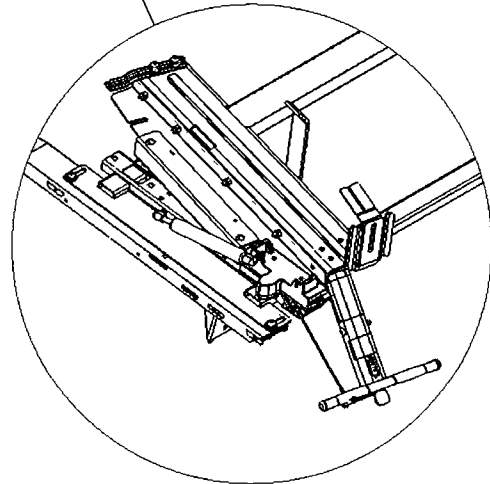
FOR REFERENCE ONLY!



DETAIL B
SCALE 1:16



DETAIL A
SCALE 1:16



PRINTED DOCUMENT IS UNCONTROLLED

Sheet 1 of 1

THIS PRODUCT IS SUBJECT TO CHANGE. ADRIAN STEEL COMPANY RESERVES THE RIGHT TO CHANGE THE PRODUCT OF IT'S DESIGN WITHOUT PRIOR NOTICE.

Shipping Wt. (Lbs) :

THIS DRAWING IS THE PROPERTY OF ADRIAN STEEL COMPANY AND IS NOT TO BE USED IN ANY MANNER DETRIMENTAL TO THE INTERESTS OF ADRIAN STEEL COMPANY.

Coating/Finish

Do Not Scale This Drawing!

ADRIAN STEEL
VAN AND PICKUP EQUIPMENT
906 James St.
Adrian, MI 49221
517.265.6194

Part Description **LOADSRITE, COMBO, W, CSF**

Part Number **LR6400WCF**

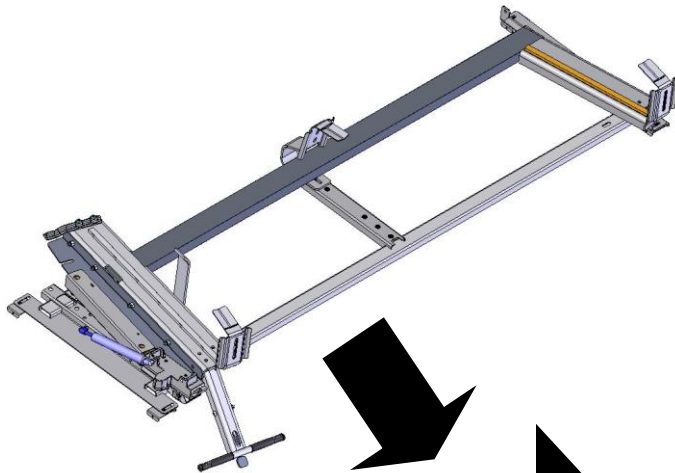
REVISION LEVEL

B

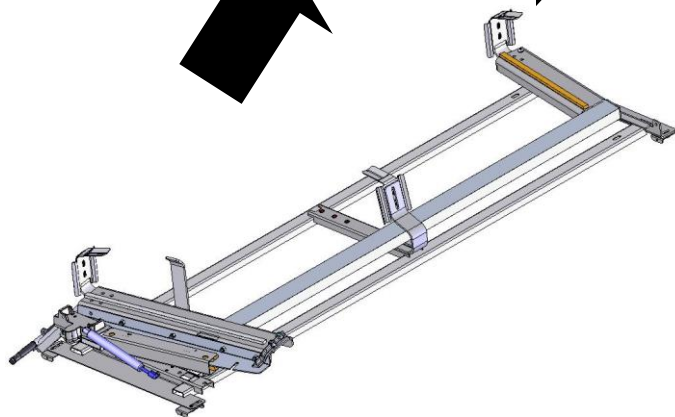
Assembly/Install Instructions

FOR USE WITH FULL SIZE VANS








LR-6200WCF, CURBSIDE MODULE



LOADSRITE MODULES ARE USED TO COMPLETE THE FOLLOWING SYSTEMS.



LR6200-WSF, STREETSIDE MODULE

LR6100WCF SINGLE RACK CURBSIDE INSTALLATION		SHIPPED IN 2 CARTONS
LR6100WSF SINGLE RACK STREETSIDE INSTALLATION		SHIPPED IN 2 CARTONS
LR6300WF DOUBLE RACK 1 EACH STREETSIDE & CURBSIDE		SHIPPED IN 3 CARTONS
LR6400WCF COMBO RACK WITH CURBSIDE LOADSRITE		SHIPPED IN 2 CARTONS
LR6400WSF COMBO RACK WITH STREETSIDE LOADSRITE		SHIPPED IN 2 CARTONS
LR6500WCF SHIPTHRU COMBO RACK WITH CURBSIDE LOADSRITE		SHIPPED IN 2 CARTONS
LR6500WSF SHIPTHRU COMBO RACK WITH STREETSIDE LOADSRITE		SHIPPED IN 2 CARTONS

ISSUE: K P.N.: 35190-0

CHK.BY:

REV.BY: BDS

DWG.BY: BTS

ECN- 21094

BEFORE YOU START



IMPORTANT NOTES PERTAINING TO USER AND/OR PRODUCT SAFETY ARE DENOTED BY A STOP SIGN AND THEY MUST BE FOLLOWED IN ORDER TO COMPLETE A SAFE ASSEMBLY AND INSTALLATION!



YOU WILL NEED THE FOLLOWING TOOLS IN ORDER TO COMPLETE THIS JOB.

<p>7/32" ALLEN WRENCH AND/OR 7/32" ALLEN SOCKET</p>	<p>9/16" OPEN END WRENCH</p>	<p>RATCHET WRENCH, WITH 9/16" SOCKET</p>
<p>Ft. Lb. TOURQUE WRENCH</p>	<p>WARNING: DO NOT USE IMPACT TOOLS FOR ASSEMBLY!</p>	



ALL FASTENERS USED IN THE ASSEMBLY AND INSTALLATION OF THIS PRODUCT SHOULD BE TIGHTENED TO A TORQUE OF 18 FT. LBS.

THE USE OF AIR OR ELECTRIC IMPACT TOOLS FOR THE ASSEMBLY OF FASTENERS IS NOT RECOMMENDED AND COULD CAUSE FASTENER FAILURE!

STEP - 01

Remove the hardware box from the carton and set it aside for later use. If you are assembling this LOADSRITE[®] for a ship thru application you will need to stow the hardware box inside the vehicle.

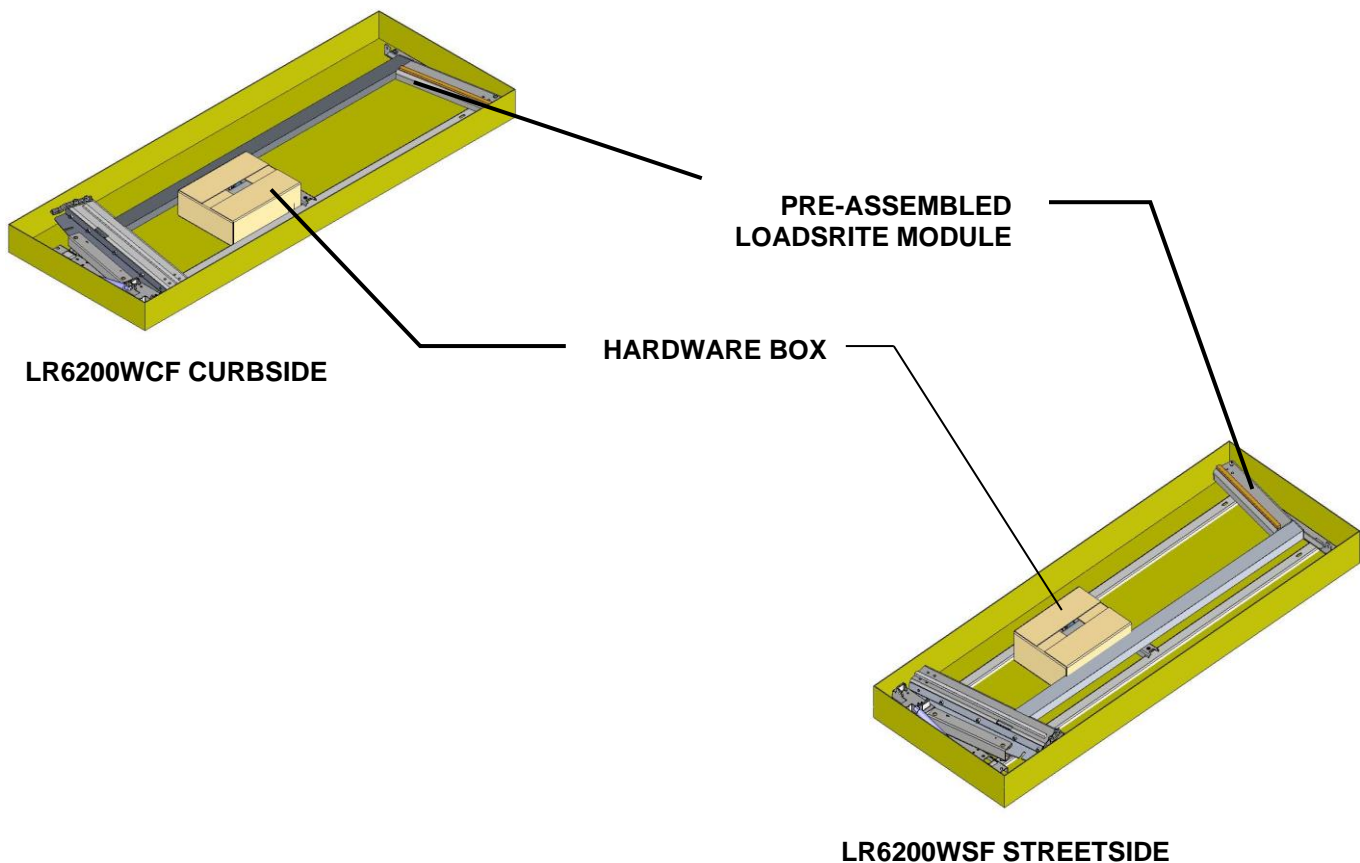
STEP - 02

REMOVAL OF LOADSRITE MODULE FROM CARTON

Remove the LOADSRITE[®] unit from the carton and place onto a smooth level work surface for assembly of the additional parts to complete the unit.



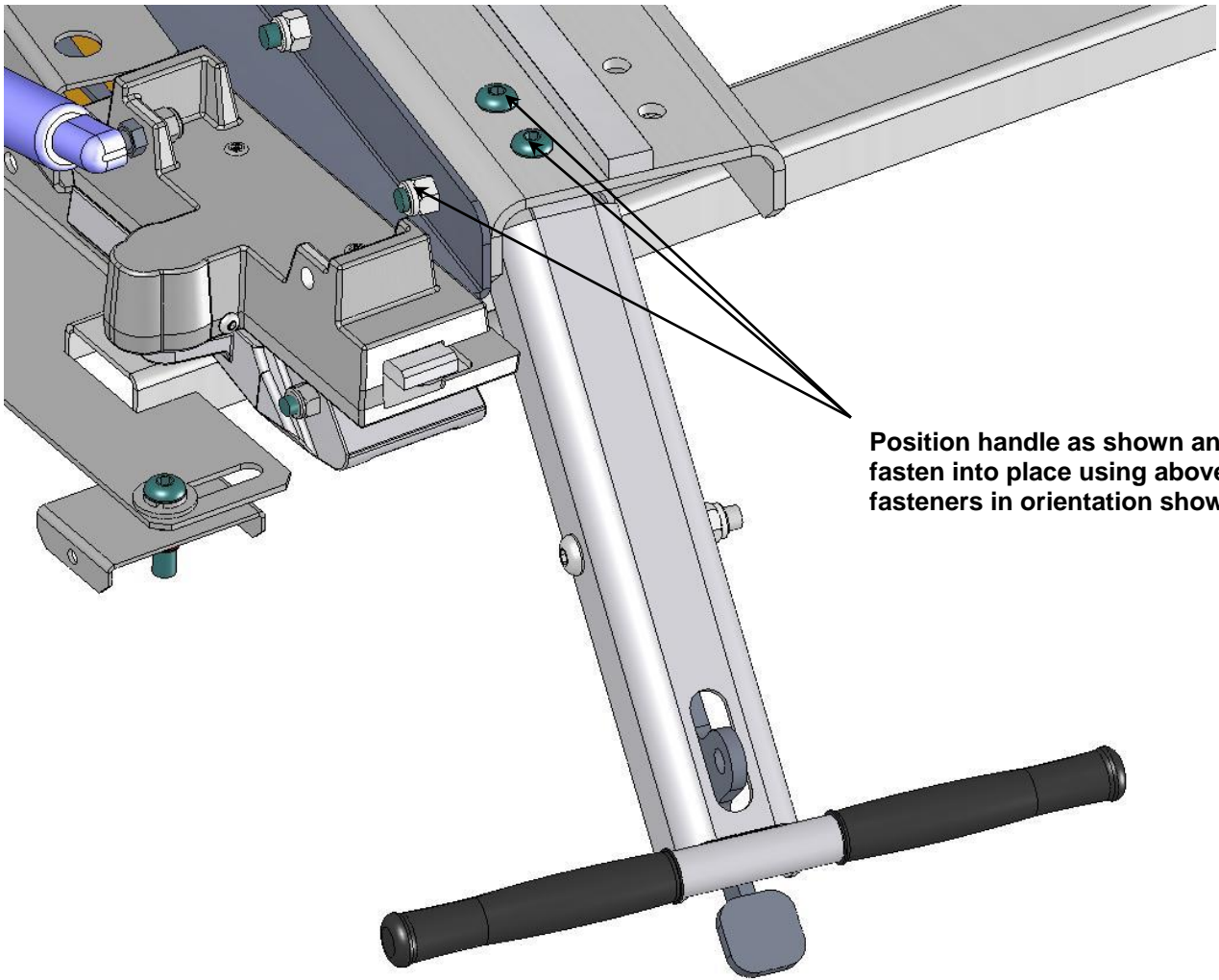
DO NOT remove the cable tie wraps from the base & bed assembly until after you have completed *step 03* of this assembly!



STEP - 03

HANDLE ASSEMBLY INSTALL FOR CURBSIDE
Remove the following parts from the hardware box and fastener bag.

 <p>FAS0572 3/8-16 x 1" BHCS (3) REQUIRED TORQUE TO 18ft. lbs.</p>	 <p>FAS0249 3/8-16 NUT NYLOCK (3) REQUIRED</p>	 <p>34769-W HANDLE ASM CRBSD (1) REQUIRED</p>
--	--	---



Position handle as shown and fasten into place using above fasteners in orientation shown

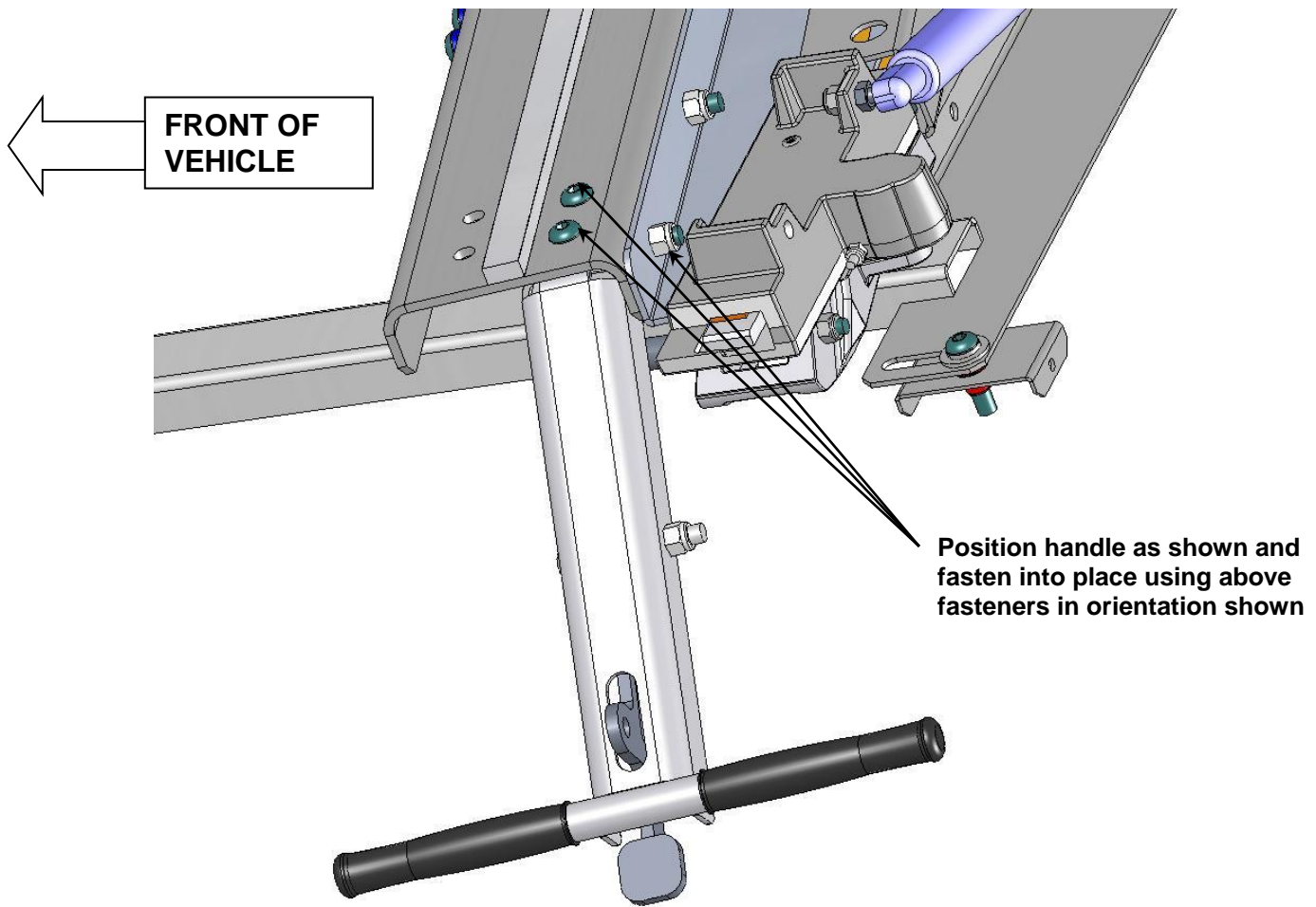


CHECK THE LATCH FOR PROPER OPERATION (LATCHING) BEFORE PROCEEDING! THE LATCH SHOULD SECURELY HOLD THE UNIT IN PLACE AND SHOULD RELEASE EASILY USING THE LATCH RELEASE LEVER.

STEP – 03a

HANDLE ASSEMBLY INSTALL FOR STREETSIDE
Remove the following parts from the hardware box and fastener bag.

 <p>FAS0572 3/8-16 x 1" BHCS (3) REQUIRED TORQUE TO 18ft. lbs.</p>	 <p>FAS0249 3/8-16 NUT NYLOCK (3) REQUIRED</p>	 <p>34769-W HANDLE ASM CRBSD (1) REQUIRED</p>
--	--	---









CHECK THE LATCH FOR PROPER OPERATION (LATCHING) BEFORE PROCEEDING! THE LATCH SHOULD SECURELY HOLD THE UNIT IN PLACE AND SHOULD RELEASE EASILY USING THE LATCH RELEASE LEVER.

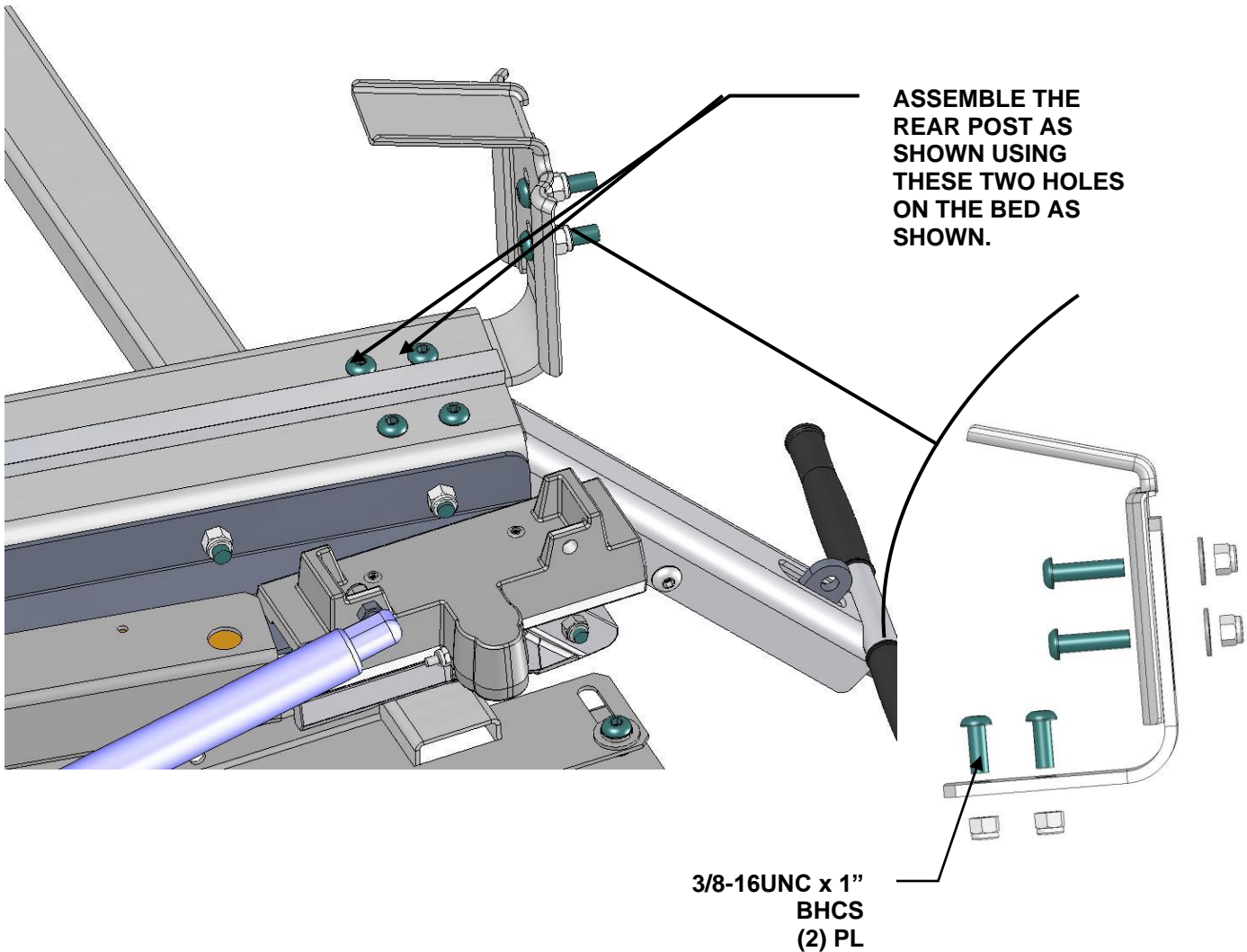
STEP - 04

REAR POST ASSEMBLY

Remove the following parts from the hardware box and fastener bag. Assemble the parts as shown. Curbside and streetside assembly are the same.

 <p>34766-W REAR POST (1) REQUIRED</p>	 <p>37518-0 UNIV CLAMP PAD (1) REQUIRED</p>	 <p>FAS0104 3/8" FLAT WASHER (2) REQUIRED</p>	 <p>FAS0577 3/8-16 x 1-1/2" BHCS (2) REQUIRED TORQUE TO 18ft. lbs.</p>	 <p>FAS0572 3/8-16 x 1" BHCS (2) REQUIRED TORQUE TO 18ft. lbs.</p>	 <p>FAS0249 3/8-16 NYLOCK NUT (4) REQUIRED TORQUE TO 18ft. lbs.</p>
--	---	---	--	--	---







CURBSIDE MODULE SHOWN



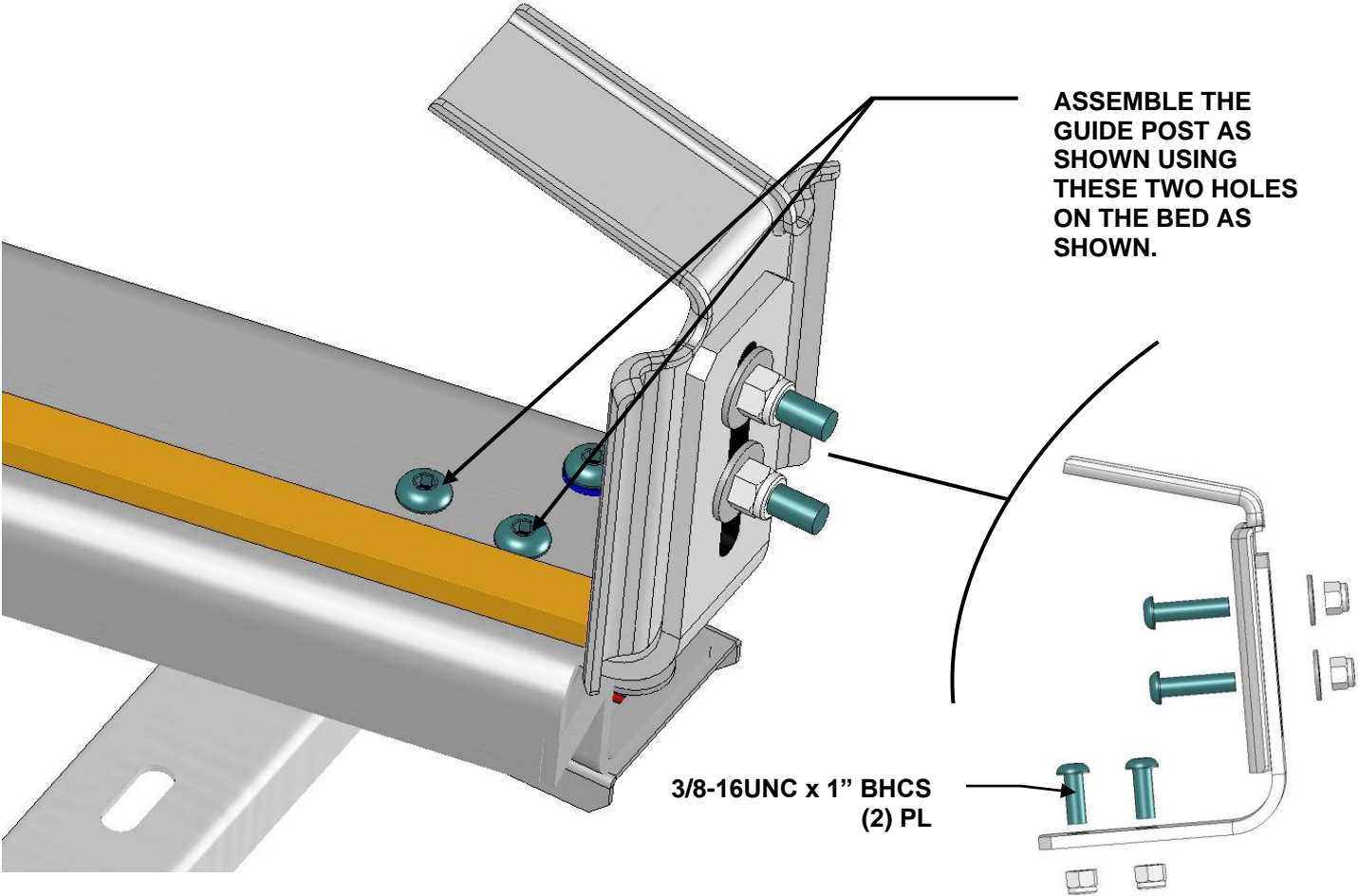
STEP - 05

GUIDE POST ASSEMBLY

Remove the following parts from the hardware box and fastener bag. Assemble the parts as shown. Curbside and streetside assembly the same.

 34766-W REAR POST (1) REQUIRED	 37518-0 UNIV CLAMP PAD (1) REQUIRED	 FAS0104 3/8" FLAT WASHER (2) REQUIRED	 FAS0577 3/8-16 x 1-1/2" BHCS (2) REQUIRED TORQUE TO 18ft. lbs.	 FAS0572 3/8-16 x 1" BHCS (2) REQUIRED TORQUE TO 18ft. lbs.	 FAS0249 3/8-16 NYLOCK NUT (4) REQUIRED TORQUE TO 18ft. lbs.
--	---	---	--	--	---

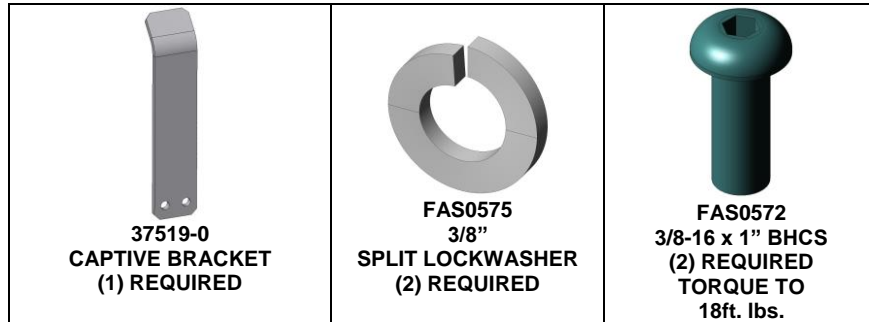
CURBSIDE MODULE SHOWN



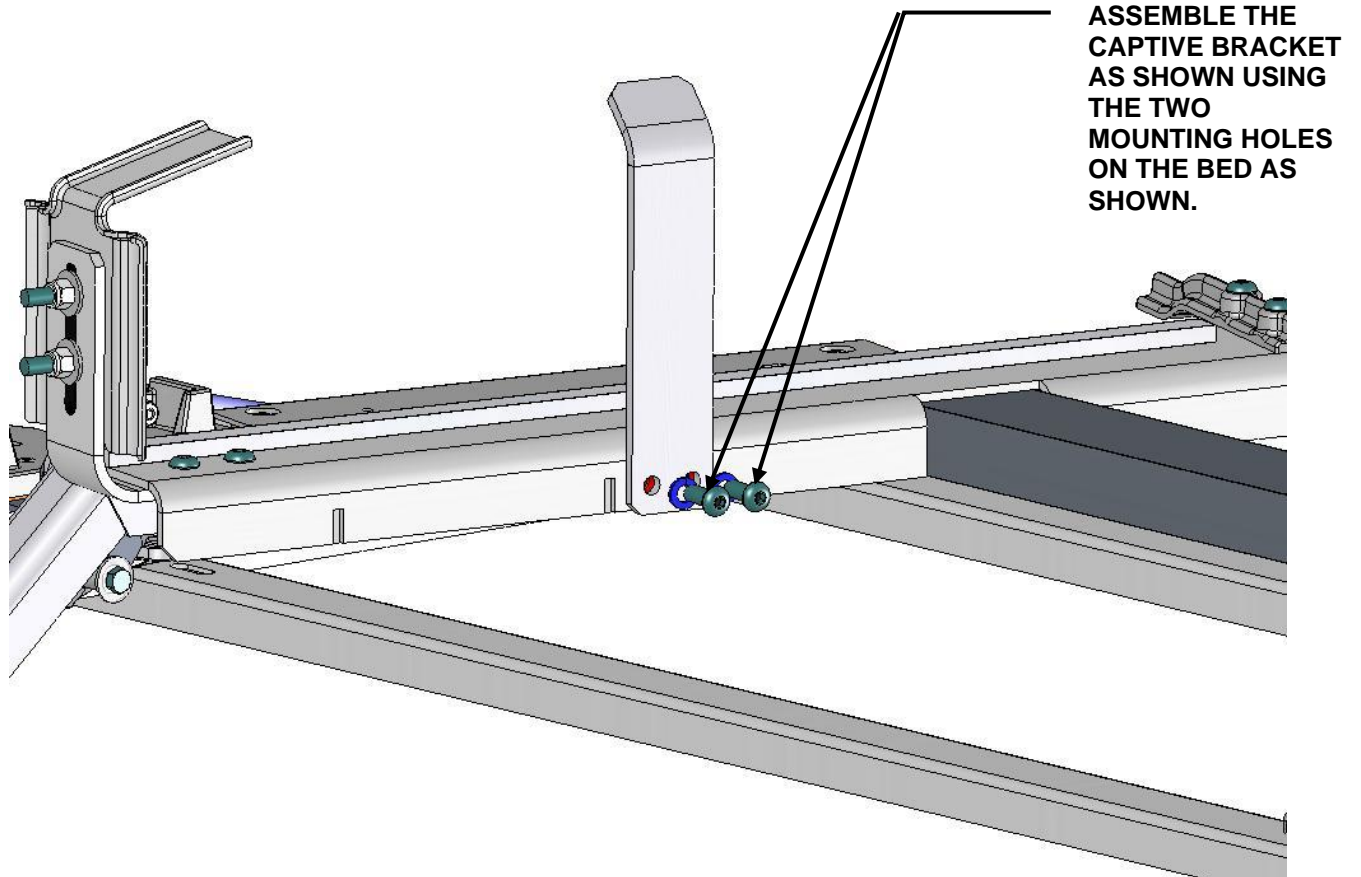
STEP – 06

CAPTIVE BRACKET ASSEMBLY

Remove the following parts from the hardware box and fastener bag. Assemble the parts as shown. Curbside and streetside assembly the same.







CURBSIDE MODULE SHOWN



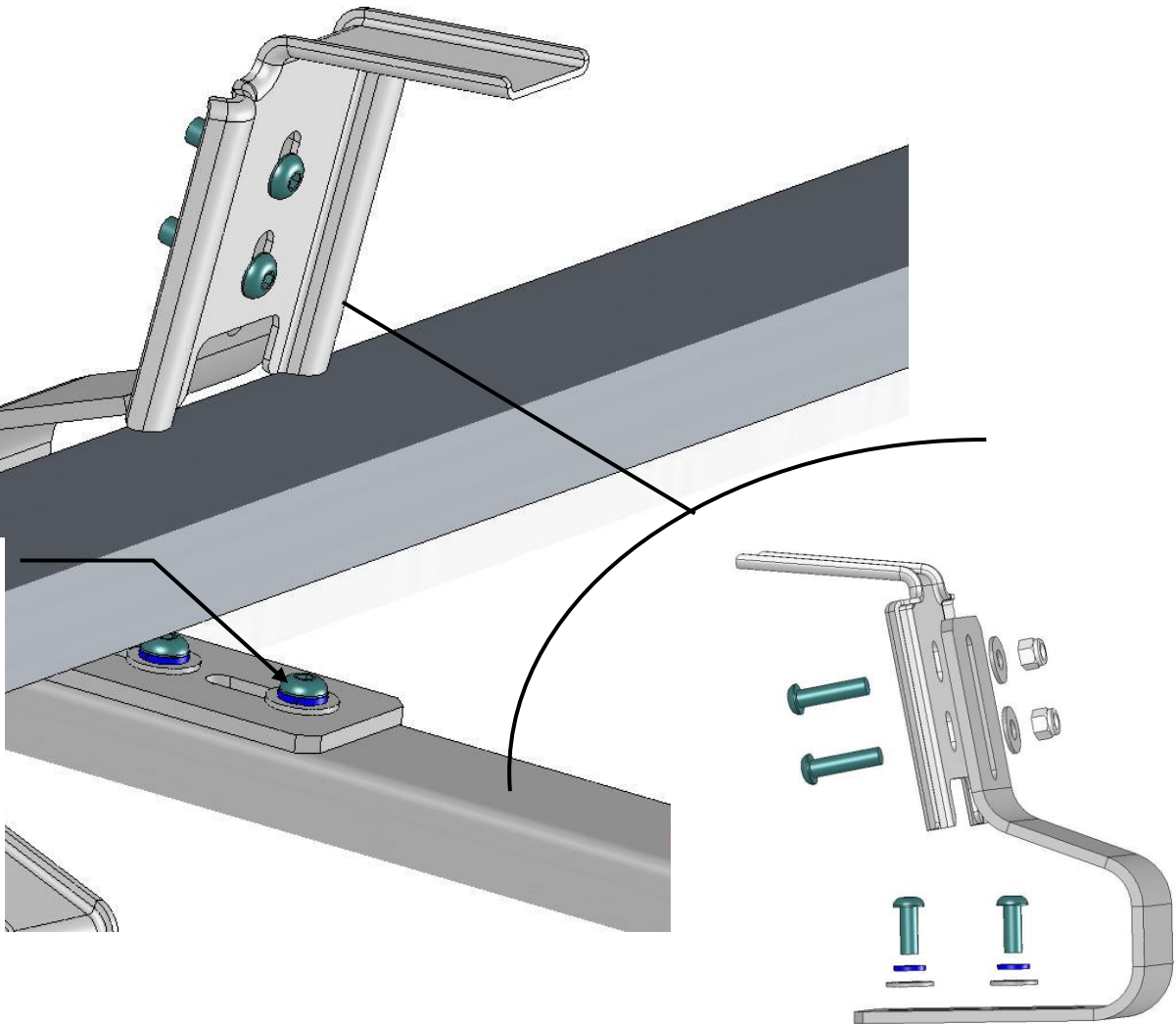
STEP - 07

BASE CLAMP ASSEMBLY

Remove the following parts from the hardware box and fastener bag. Assemble the parts as shown. Curbside and streetside assembly the same.

 <p>29692-0 BASE CLAMP MOUNT W/3 SLOTS (1) REQUIRED</p>	 <p>37518-0 UNIV CLAMP PAD (1) REQUIRED</p>	 <p>FAS0104 3/8" FLAT WASHER (4) REQUIRED</p>	 <p>FAS0577 3/8-16 x 1-1/2" BHCS (4) REQUIRED TORQUE TO 18ft. lbs.</p>	 <p>FAS0249 3/8-16 NYLOCK NUT (2)REQUIRED TORQUE TO 18ft. lbs.</p>	 <p>FAS0575 3/8" SPLIT LOCK WASHER (2) REQUIRED</p>
--	--	--	---	---	--

ASSEMBLE THE BASE CLAMP AS SHOWN USING EITHER TWO MOUNTING HOLES OF THE THREE, ON THE BASE AS SHOWN. TWO SETS OF HOLES ARE PROVIDED AS WELL AS 3 SLOTS TO ALLOW FOR ADJUSTMENT FOR WIDER LADDERS.








STEP – 08

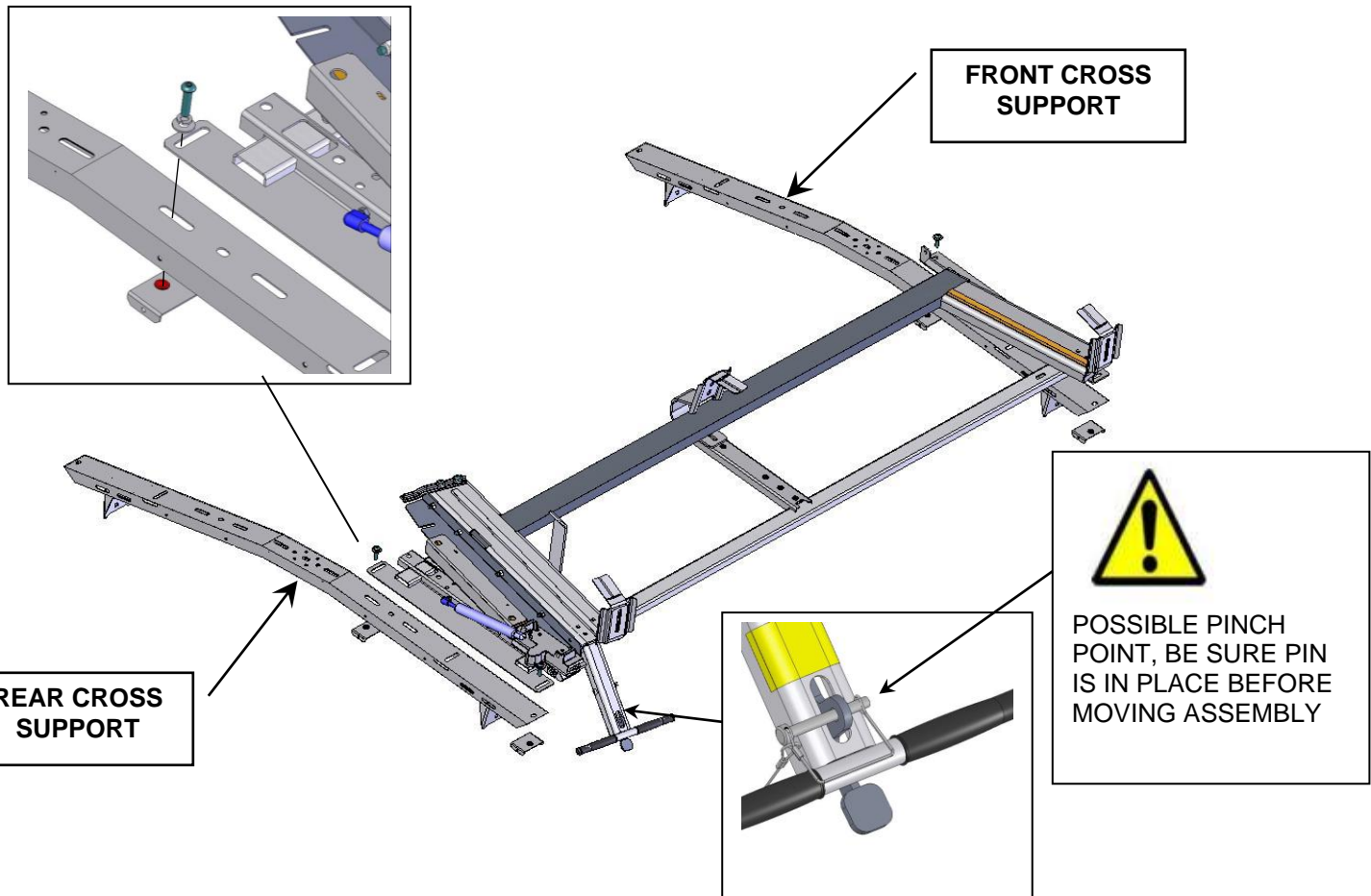
INSTALLATION OF COMPLETED LOADSRITE ASSEMBLY

Mount the Loadsrite onto the Cross Supports, or 60 series Ladder rack. If you have a 60 series Ladder Rack you will need to remove the outer rail, inner rail and any other parts that are installed on the side of the 60 series ladder rack that you are going to install the Loadsrite unit on. Both the cross supports and the 60 series ladder rack should already be installed on to your vehicle. See the instructions that came with these items for proper assembly and installation.

Mount your LoadsRite onto the Cross Supports that should be already installed on your van as shown below using fasteners indicated. Note: Cross Supports should be 7' on center.

Once the ladder rack is completely installed on to the Cross Supports, and is ready for transport make sure to attach the Latch Lanyard as shown below

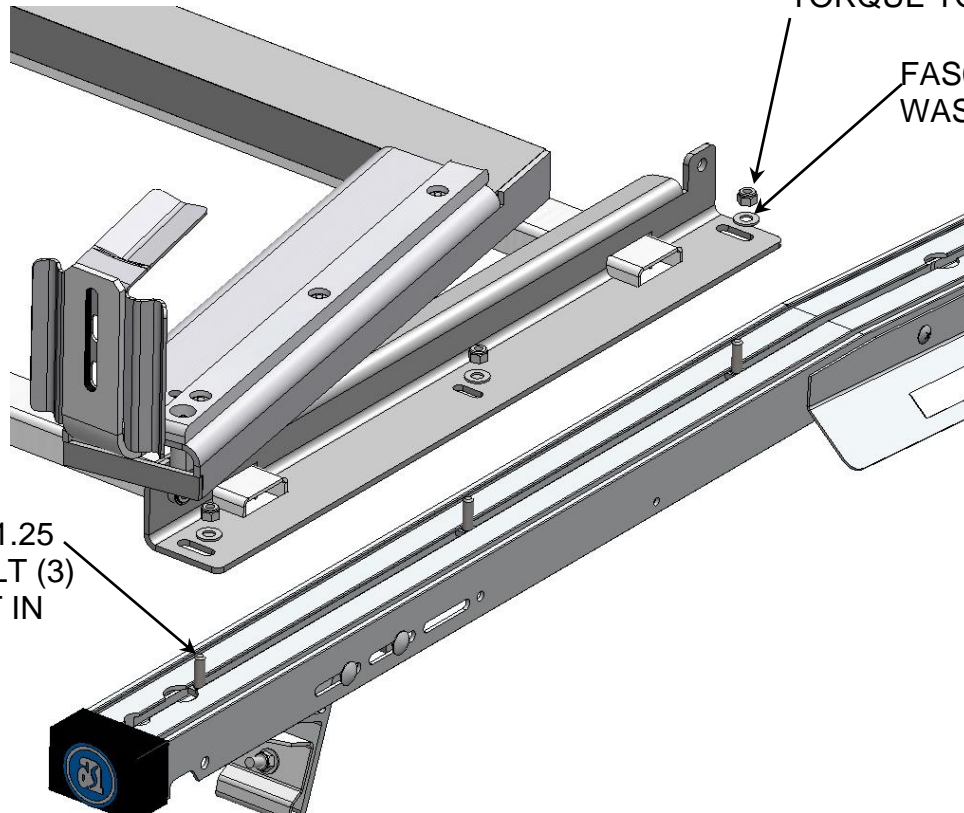
 <p>28494-0 ANCHOR PLATE (4) REQUIRED</p>	 <p>FAS0104 3/8" FLAT WASHER (4) REQUIRED</p>	 <p>FAS0577 3/8-16 x 1-1/2" BHCS (4) REQUIRED TORQUE TO 18ft. lbs.</p>	 <p>FAS0575 3/8" SPLIT LOCK WASHER (4) REQUIRED</p>	 <p>34753-0 LATCH LANYARD ASSEMBLY (1) REQUIRED</p>
---	---	--	---	--



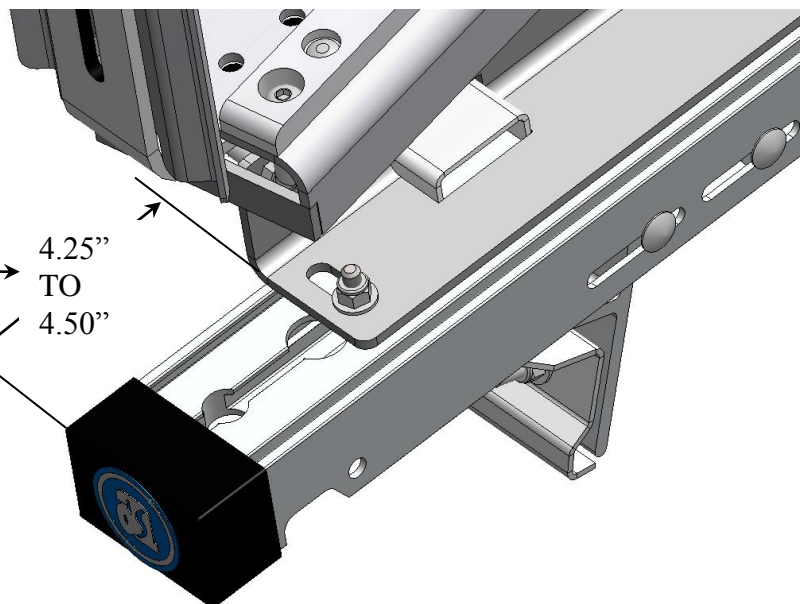
INSTALLING LOADSRITE UNIT ON EZ LOAD LADDER RACK.
REQUIRES FASTENER BAG BAGLR64EZ.

FAS0248 5/16-18
LOCKNUT (3)
TORQUE TO 12 FT LBS

FAS0552 5/16
WASHER (3)



FAS0035 5/16-18X 1.25
SQUARE HEAD BOLT (3)
SLIDE INTO T-SLOT IN
BOW AS SHOWN.



FOR FULL SIZE, LOW ROOF
FORD TRANSIT APPLICATIONS,
THIS DIMENSION TO BE 2.38".
ALSO, FOR ALL APPLICATIONS,
CHECK CLEARANCE OF HANDLE
TO SLIDING SIDE DOOR.

WARNING

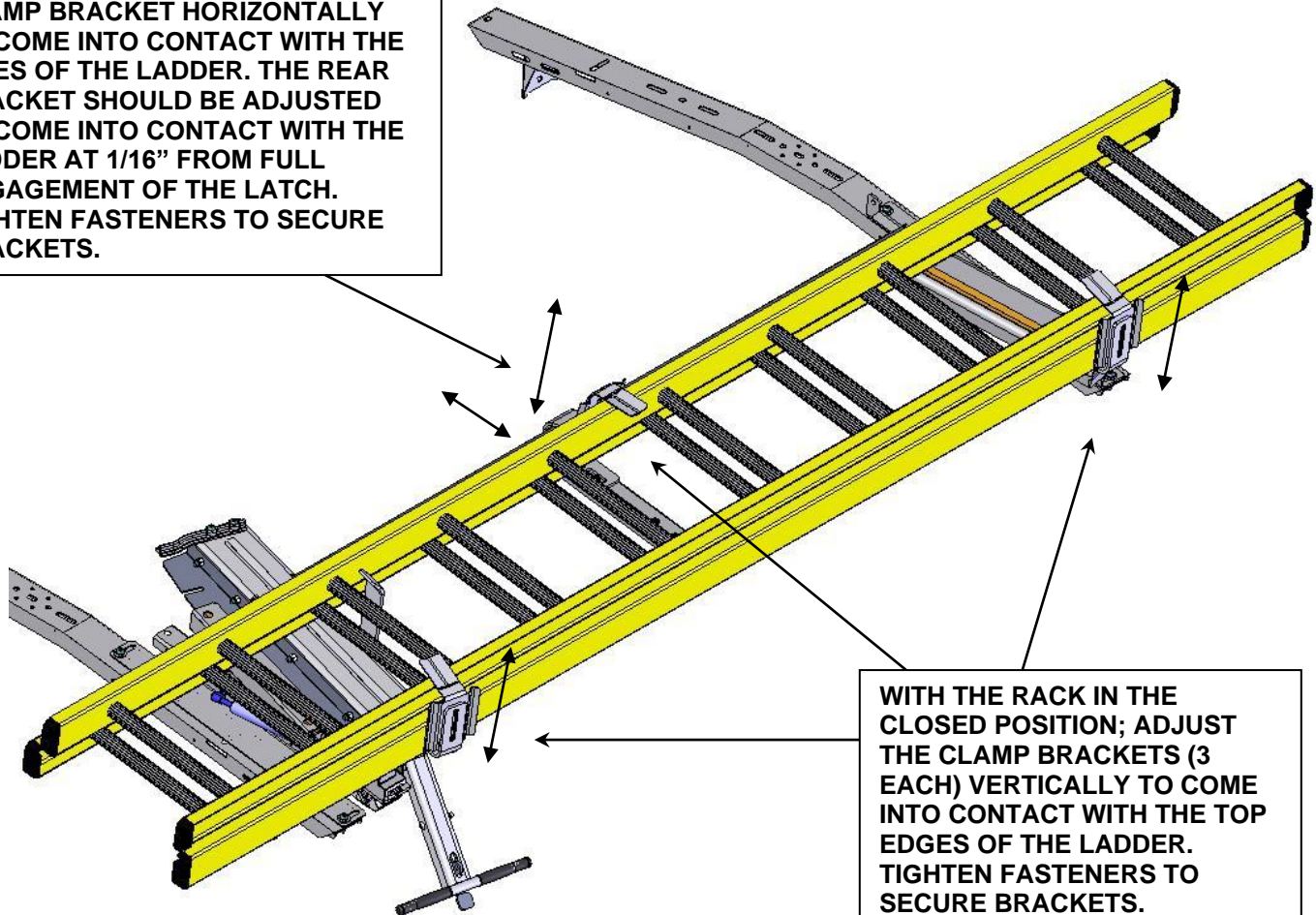
This Product Requires Final Adjustment Prior to Use!

The end user must perform the following adjustments to ensure proper function and safe operation of this product!

FAILURE TO COMPLETE THESE FINAL ADJUSTMENTS COULD VOID YOUR WARRANTY!

ADJUST THE THREE (3) CLAMP BRACKETS TO FIT YOUR LADDER. PLACE THE LADDER ONTO THE RACK AND ADJUST EACH BRACKET AS SHOWN BELOW.

WITH THE RACK IN THE CLOSED POSITION; ADJUST THE REAR CLAMP BRACKET HORIZONTALLY TO COME INTO CONTACT WITH THE SIDES OF THE LADDER. THE REAR BRACKET SHOULD BE ADJUSTED TO COME INTO CONTACT WITH THE LADDER AT 1/16" FROM FULL ENGAGEMENT OF THE LATCH. TIGHTEN FASTENERS TO SECURE BRACKETS.



WITH THE RACK IN THE CLOSED POSITION; ADJUST THE CLAMP BRACKETS (3 EACH) VERTICALLY TO COME INTO CONTACT WITH THE TOP EDGES OF THE LADDER. TIGHTEN FASTENERS TO SECURE BRACKETS.

ONCE YOU HAVE COMPLETED THE ADJUSTMENTS; TEST THE OPERATION OF THE RACK. IF THE LATCHING/UNLATCHING OF THE RACK IS DIFFICULT THEN YOU SHOULD RE-CHECK THE BRACKETS TO ENSURE CORRECT ADJUSTMENT. YOUR LADDER RACK IS NOW READY FOR USE



THIS COMPLETE INSTRUCTION MANUAL MUST BE PRESENTED TO THE END USER WHEN DELIVERING THE INSTALLED PRODUCT!

It is advised that “All Fasteners” used in the assembly and installation of this Ladder Rack System be “checked for tightness” at the following intervals:

**At 2 Weeks of Operation.
and again
At 6 Weeks of Operation.**

Assembly “fasteners could loosen” due to vibration through your vehicle while on the road or in and out of construction sites.

Drip rail clamps could loosen due to Ladder Rack Feet settling into the grouting that the O.E.M. puts into the drip rail as a seal.

This preventative maintenance step must be completed to ensure your Ladder Rack System gives you long service life.

Failure to complete this required safety inspection at prescribed intervals “could” void your product warranty.



THIS COMPLETE INSTRUCTION MANUAL MUST BE PRESENTED TO THE END USER WHEN DELIVERING THE INSTALLED PRODUCT!

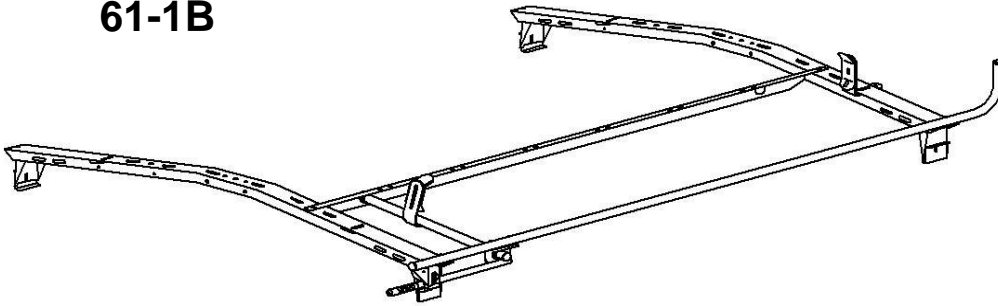


“Grip Lock” Ladder Rack Assembly & Installation Instructions

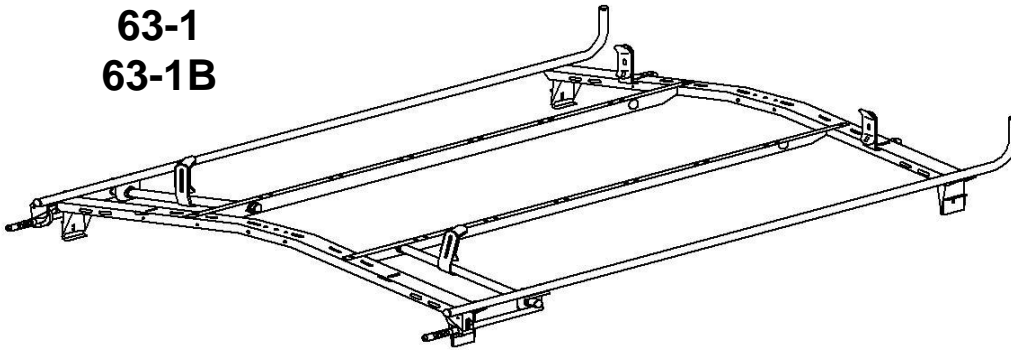
7' LADDER RACKS – FULL SIZE VAN (FORD & GM)

Dodge – LDF4 Foot Kit is required to install these racks and it is ordered separately.

61-1
61-1B



63-1
63-1B



61-1 LDRK, WHT, 7' Single, Full Size Van
61-1B LDRK, BLK, 7' Single, Full Size Van

63-1 LDRK, WHT, 7' Double, Full Size Van
63-1B LDRK, BLK, 7' Double, Full Size Van

P/N: 25535-0

ISSUE: G

CHK.BY: _____

REV.BY: _____

DWG.BY: DCS

ECN- 21094



ADRIAN STEEL®

VAN AND PICKUP EQUIPMENT

“GRIP LOCK” Ladder Rack

BEFORE YOU START!

IMPORTANT INSTALLATION STEPS ARE DENOTED USING A STOP SIGN. THESE STEPS MUST BE PERFORMED AS SPECIFIED IN ORDER TO ENSURE A PROPER INSTALLATION AND MUST BE FOLLOWED IN ORDER TO MAINTAIN YOUR PRODUCT WARRANTY!



CRITICAL INFORMATION PERTAINING TO USER AND/OR VEHICLE SAFETY IS DENOTED USING A CAUTION SIGN. SAFETY ITEMS MUST BE STRICTLY ADHERED TO IN ORDER TO ENSURE A SAFE WORKING ENVIROMENT!



YOU WILL NEED THE FOLLOWING TOOLS IN ORDER TO COMPLETE THIS JOB.

7/16', 9/16', & 5/8" Combination End Wrenches and Deepwell Sockets w/Ratchet
1/8" Ball End Allen Wrench, Hammer, Framing or Machinist Square, Tape Measure

ALL FASTENERS USED IN THE ASSEMBLY AND INSTALLATION OF THIS PRODUCT SHOULD BE TIGHTENED TO THE SPECIFIED TORQUE AS LISTED WITH EACH FASTENER CALLOUT BOX.



THE USE OF AIR OR ELECTRIC IMPACT TOOLS FOR THE ASSEMBLY OF FASTENERS IS NOT RECOMMENDED AND COULD CAUSE FASTENER FAILURE!



WARNING



THE USE OF DRILLS WITH INTEGRAL DRILL STOPS ALONG WITH PROPER INSPECTION FOR GAS TANK, GAS LINES, BRAKE LINES AND ELECTRICAL LINES PRIOR TO DRILLING ANY MOUNTING HOLES IS STRONGLY RECOMMENDED TO ENSURE THAT VEHICLE DAMAGE IS AVOIDED!



THE USE OF NON-STANDARD FASTENERS AND/OR DEVIATING FROM THE FASTENERS SPECIFIED IN THE INSTRUCTION (S) MAY VOID YOUR PRODUCT WARRANTY!

ALL DRILLED HOLES IN THE VEHICLE SHOULD HAVE THE RAW METAL EDGES SEALED WITH A SELF-ETCHING PRIMER TO RESIST CORROSION AND POTENTIAL FASTENER POINT FAILURE!





“GRIP LOCK” Ladder Rack



TO PREVENT EXHAUST FUMES FROM ENTERING THE VEHICLE, ALL HOLES SHOULD BE SEALED AT INSTALLATION WITH BUTYL OR SILICON SEALANT MATERIAL.



Whenever a plusnut is specified it is important that the proper size installation hole is provided.

PLUSNUT SIZE	DRILL SIZE <i>(with stop)</i>
1/4-20 PLUSNUT, FAS0052 	3/8" DIAMETER
5/16-18 PLUSNUT, FAS0091 	1/2" DIAMETER

FOR MOUNTING THROUGH A FLOOR MAT AND/OR CARPET

Position each item in desired location inside the vehicle and mark the floor mounting locations.

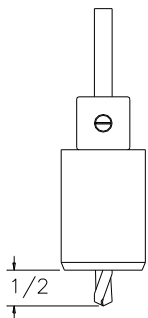
It is recommended that a drilling template be used to ensure an accurate placement of components is achieved for this installation.

Using the cutting tool, drill a pilot hole thru the mat/carpet and metal floor pan.

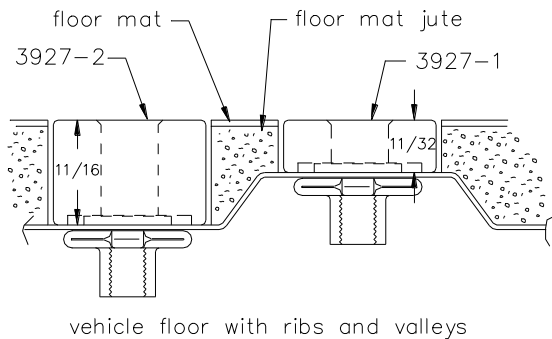
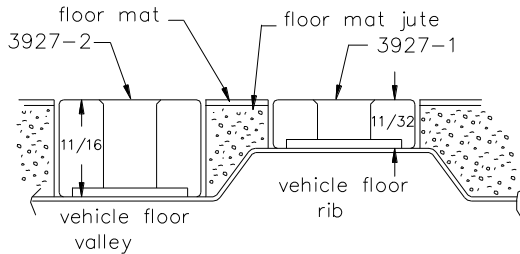
Spacer Use and Installation

3927-1 (SHOWN)

ALWAYS PLACE RECESSED PART OF FLOOR SPACER ON TOP OF PLUSNUT.



Placing the properly sized spacer on top of the vehicle floor pan will make your Adrian interior level, square, and sound. The view below shows the proper sized spacer for the different heights of the vehicle floor. Make sure to place the spacers with the plusnut relief surface down as shown.



The location of various floor mounts will determine what spacer combination will be used. For example, an 11/32" spacer is used atop floor ribs, and an 11/16" high spacer is used atop floor valleys.



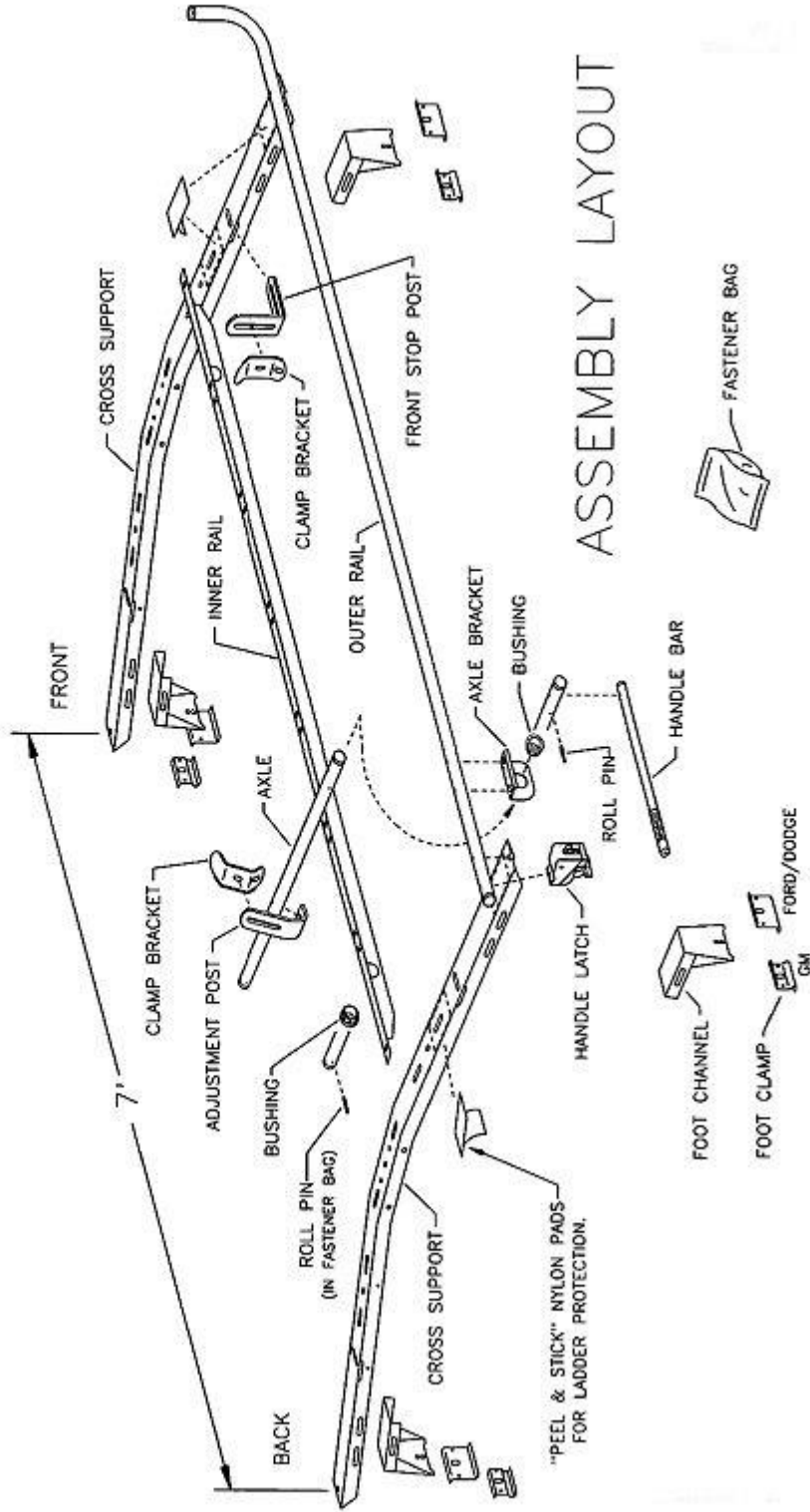
THE PROPER USE OF SPACERS IS REQUIRED WHEN MOUNTING OVER MAT/CARPET TO ENSURE THE METAL-TO-METAL CLAMP-UP, WHICH WILL PREVENT UNWANTED COMPONENT SHIFTING AND POTENTIAL FAILURE DURING USE.













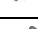






















“GRIP LOCK” Ladder Rack

BEFORE YOU BEGIN:
 REFER TO THE COVER PAGE (PAGE-1), ASSEMBLY LAYOUT (PAGE-2), PARTS LIST (PAGE-3), & FASTENER TEMPLATE (PAGE-4) TO PROPERLY IDENTIFY THE PARTS IN THE BOX FOR YOUR LADDER RACK. A "61-1 SINGLE" IS SHOWN BELOW, SOME PARTS ARE DUPLICATED TO THE OTHER SIDE OF THE LADDER RACK TO MAKE A "63-1 DOUBLE" (SEE COVER PAGE).
 * PLEASE READ THROUGH & FOLLOW EACH STEP CAREFULLY TO EASE THE ASSEMBLY & INSTALLATION OF YOUR LADDER RACK. *
 IF YOU HAVE ANY QUESTIONS OR COMMENTS PLEASE CONTACT THE DEALER YOU PURCHASED YOUR LADDER RACK FROM OR CALL US AT ADRIAN STEEL Co. (800) 677-2726 . THANK YOU FOR CHOOSING THE ADRIAN STEEL Co. "GRIP LOCK" LADDER RACK !











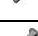
























FASTENER & COMPONENT HARDWARE

61-1 “LADDER RACK, 7’ SINGLE, FULL SIZE VAN”			
PART NUMBER	PART DESCRIPTION	QTY REQ'D	PART IMAGE
FAS0058	NUT, NYLON LOCK, ¼-20UNC	1	
FAS0100	NUT, HEX FLANGE, SS, 3/8-16UNC	15	
FAS0102	BOLT, CARRIAGE, ZN G5, 3/8-16UNC X 1.00”	13	
FAS0104	WASHER, FLAT, ZN-NI, 3/8” ID	19	
FAS0110	NUT, NYLON LOCK, SS, 3/8-16UNC	8	
FAS0117	BOLT, CARRIAGE, ZN G5, 3/8-16UNC X 1.50”	4	
FAS0124	WASHER, FLAT, ZN-NI, 1/4” ID	2	
FAS0139	WASHER, FLAT, ZN, ½” ID	4	
FAS0184	BOLT, CARRIAGE, ZN G5, 3/8-16UNC X 2.00”	1	
FAS0204	BOLT, CARRIAGE, ZN G8, 3/8-16UNC X 1.75”	4	
FAS0212	PIN, SPRING, SS, ¼” OD X 1.375”	2	
FAS0239	BOLT, CARRIAGE, ZN-NI, G8, 3/8-16UNC X 1.875	1	
07466-0	NUT, ADJUSTING CAM	4	
10103-0	WASHER, FLAT, B-NYLON, 7/16”ID X 13/16”OD	1	
17976-0	BOLT, SHOULDER, 5/16-18UNC, ¼”OD X 2.25”	1	
05586-0	TAPE, BUTYL, T224	1	
09677-0	BUSHING, TUBE, 1.25”	2	
09704-0	POST, ADJUSTMENT, 8”	1	
11427-0	FOOT CLAMP, DIRP RIAL, WHT, (FORD/DODGE)	4	
16024-0	FOOT CHANNEL, 4-3/8”	4	
22856-0	FOOT CLAMP, GMT600, WHT (GM)	4	
25329-0	OUTER RAIL, 7’ LDRK, FSV, WHT	1	
25332-0	INNER RAIL, 7’ LDRK, FSV, WHT	1	
25335-0	CROSS SUPPORT, 70” FSV, WHT	2	
25337-0	AXLE 1.25” OD X 26.187” LG, WHT	1	
25338-0	AXLE BRACKET, STD. LDRK, WHT	1	
25340-0	HANDLE LATCH STD LDRK, WHT	1	
25345-0	LADDER PAD STICK ON	4	
37515-0	CLAMP BRACKET, STD. LDRK, WHT	2	
25410-0	HANDLE BAR, GRIPLOCK LDRK, WHT	1	
25497-0	FRONT STOP POST, ADJUSTABLE	1	



FASTENER & COMPONENT HARDWARE (continued)

63-1 “LADDER RACK, 7’ DOUBLE, FULL SIZE VAN”			
PART NUMBER	PART DESCRIPTION	QTY REQ'D	PART IMAGE
FAS0058	NUT, NYLON LOCK, ¼-20UNC	2	
FAS0100	NUT, HEX FLANGE, SS, 3/8-16UNC	22	
FAS0102	BOLT, CARRIAGE, ZN G5, 3/8-16UNC X 1.00”	18	
FAS0104	WASHER, FLAT, ZN-NI, 3/8” ID	30	
FAS0110	NUT, NYLON LOCK, SS, 3/8-16UNC	12	
FAS0117	BOLT, CARRIAGE, ZN G5, 3/8-16UNC X 1.50”	4	
FAS0124	WASHER, FLAT, ZN-NI, 1/4” ID	4	
FAS0139	WASHER, FLAT, ZN, ½” ID	4	
FAS0184	BOLT, CARRIAGE, ZN G5, 3/8-16UNC X 2.00”	2	
FAS0204	BOLT, CARRIAGE, ZN G8, 3/8-16UNC X 1.75”	8	
FAS0212	PIN, SPRING, SS, ¼” OD X 1.375”	4	
FAS0239	BOLT, CARRIAGE, ZN-NI, G8, 3/8-16UNC X 1.875	2	
07466-0	NUT, ADJUSTING CAM	4	
10103-0	WASHER, FLAT, B-NYLON, 7/16”ID X 13/16”OD	2	
17976-0	BOLT, SHOULDER, 5/16-18UNC, ¼”OD X 2.25”	2	
05586-0	TAPE, BUTYL, T224	2	
09677-0	BUSHING, TUBE, 1.25”	4	
09704-0	POST, ADJUSTMENT, 8”	2	
11427-0	FOOT CLAMP, DIRP RIAL, WHT, (FORD/DODGE)	4	
16024-0	FOOT CHANNEL, 4-3/8”	4	
22856-0	FOOT CLAMP, GMT600, WHT (GM)	4	
25329-0	OUTER RAIL, 7’ LDRK, FSV, WHT	2	
25332-0	INNER RAIL, 7’ LDRK, FSV, WHT	2	
25335-0	CROSS SUPPORT, 70” FSV, WHT	2	
25337-0	AXLE 1.25” OD X 26.187” LG, WHT	2	
25338-0	AXLE BRACKET, STD. LDRK, WHT	2	
25340-0	HANDLE LATCH STD LDRK, WHT	2	
25345-0	LADDER PAD STICK ON	8	
37515-0	CLAMP BRACKET, STD. LDRK, WHT	4	
25410-0	HANDLE BAR, GRIPLOCK LDRK, WHT	2	
25497-0	FRONT STOP POST, ADJUSTABLE	2	












ALL QUANTITIES SHOWN IN THE FOLLOWING INSTRUCTIONS ARE FOR THE SINGLE LADDER RACK (61-1). AMOUNTS WILL BE DOUBLED IF INSTALLING A DOUBLE LADDER RACK (63-1). PLEASE READ THROUGH AND FOLLOW EACH STEP CAREFULLY TO EASE ASSEMBLY AND INSTALLATION OF YOUR LADDER RACK. IF YOU HAVE ANY QUESTIONS OR COMMENTS PLEASE CONTACT THE DEALER YOU PURCHASE YOUR LADDER RACK OR CALL US AT ADRIAN STEEL. THANK YOU FOR CHOOSING THE ADRIAN STEEL Co. “GRIP LOCK” LADDER RACK



STEP – 01

INNER RAIL – OUTER RAIL – CROSS SUPPORT ASSEMBLY

The following fasteners and components are required to complete this step.

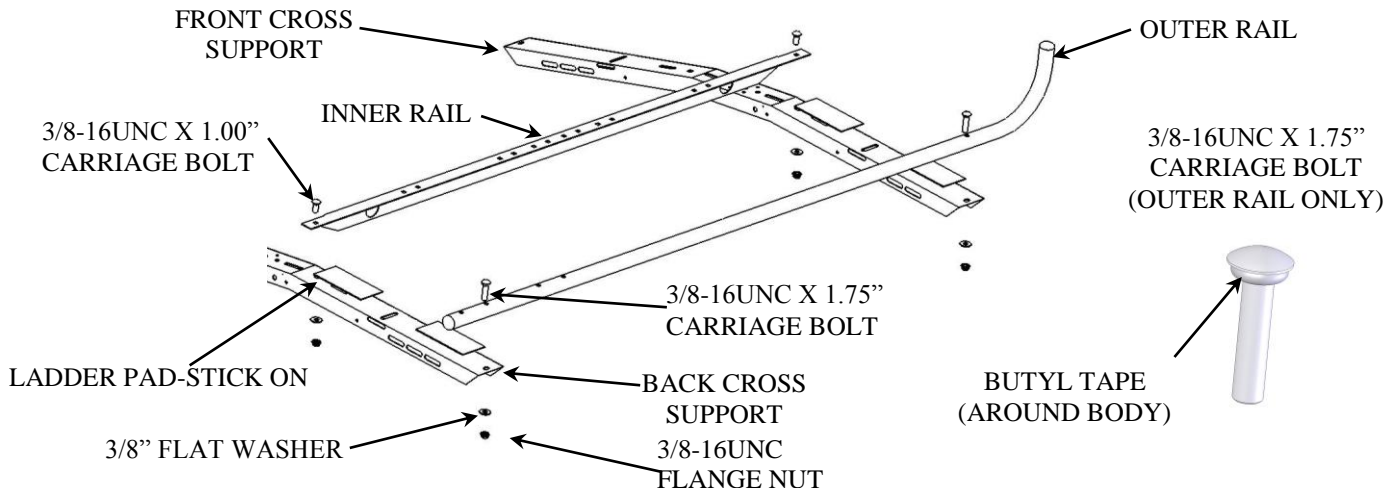
 25329-0 7' LDRK FSV, OUTER RAIL	 25332-0 7' LDRK FSV, INNER RAIL	 25335-0 70" FULL SIZE VAN, CROSS SUPPORT (2) REQ'D	 FAS0102 3/8-16UNC X 1.00" CARRIAGE BOLT (2) REQ'D	 25345-0 LADDER PAD-STICK ON (4) REQ'D
 FAS0104 3/8" FLAT WASHER (4) REQ'D	 FAS0100 3/8-16UNC HEX FLANGE NUT (4) REQ'D 31 ft-lbs (+/- 2 ft-lbs)	 05586-0 1' ROLL BUTYL TAPE, T224	 FAS0204 3/8-16UNC X 1.75" CARRIAGE BOLT (2) REQ'D	

Attach the INNER RAIL to the front and back CROSS SUPPORTS using 3/8-16UNC x 1" CARRIAGE BOLT, 3/8" FLAT WASHER, 3/8-16UNC HEX FLANGE NUT. (Finger Tighten Only).

Next peel off approximately 1/4" of BUTYL TAPE and evenly wrap it around the bottom side of each 3/8-16UNC x 1.75" lg CARRIAGE BOLT head to seal holes in the OUTER RAIL.

Next attach the OUTER RAIL to the front and rear CROSS SUPPORTS using 3/8-16UNC x 1.75" CARRIAGE BOLT, 3/8" FLAT WASHER, 3/8-16UNC HEX FLANGE NUT. (Finger Tighten Only)

Now square the assembly (INNER RAIL to CROSS SUPPORTS & OUTER RAIL to CROSS SUPPORTS) with a 90 degree framing square and firmly tighten the OUTER RAIL & INNER RAIL fasteners. Remove backing on the LADDER PAD-STICK ON and apply to CROSS SUPPORTS as shown in illustration below.





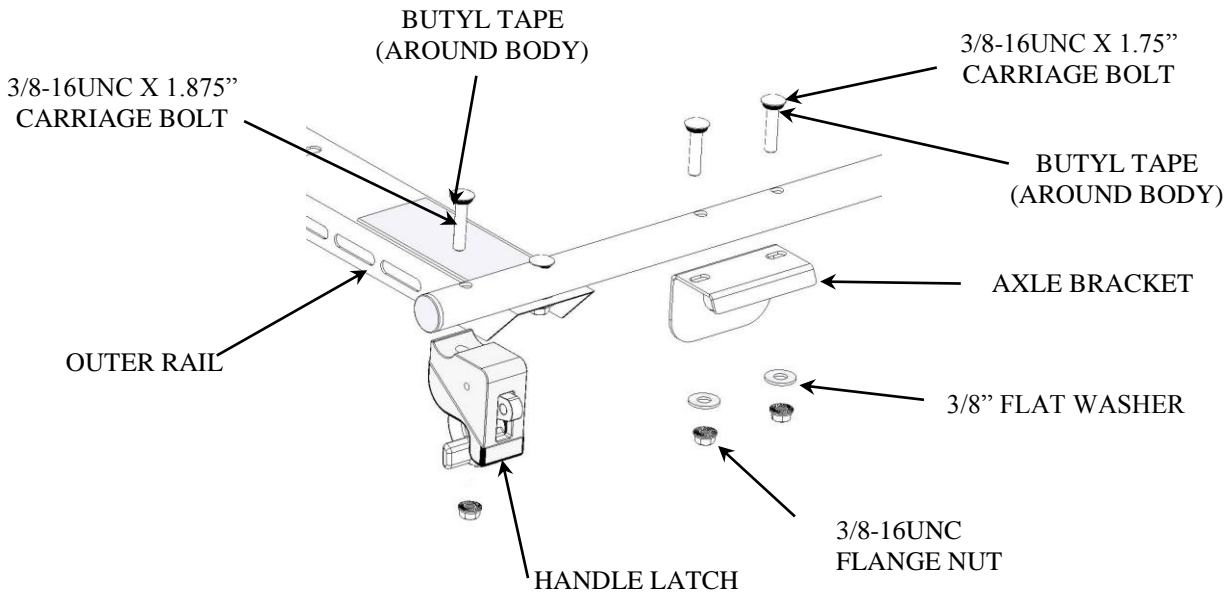
STEP – 02 HANDLE LATCH – AXLE BRACKET INSTALLATION

The following fasteners and components are required to complete this step.

 <p>25340-0 HANDLE LATCH</p>	 <p>25338-0 AXLE BRACKET</p>	 <p>FAS0204 3/8-16UNC X 1.75” CARRIAGE BOLT (2) REQ'D</p>	 <p>FAS0239 3/8-16UNC x 1.875” CARRIAGE BOLT (1) REQ'D</p>
 <p>FAS0104 3/8” FLAT WASHER (2) REQ'D</p>	 <p>FAS0100 3/8-16UNC HEX FLANGE NUT (3) REQ'D 31 ft-lbs (+/- 2 ft-lbs)</p>	 <p>05586-0 1’ ROLL BUTYL TAPE, T224</p>	

Peel off approximately 1/4” of BUTYL TAPE and evenly wrap it around the bottom side of each 3/8-16UNC x 1.75 & 3/8-16UNC x 1.87” CARRIAGE BOLT head to seal holes in the OUTER RAIL.

Attach the HANDLE LATCH and the AXLE BRACKET to the OUTER RAIL using 1-3/4” & 1-7/8” CARRIAGE BOLT, 3/8” FLAT WASHER, 3/8” FLANGE NUT, tighten to recommended torque.








STEP - 03

AXLE - SPRING PIN - BUSHING INSTALLATION

The following fasteners and components are required to complete this step.

 <p>25337-0 1/25" OD X 26.187" AXLE</p>	 <p>09677-0 1.25" TUBE BUSHING (2) REQ'D</p>	 <p>FAS0212 1/4"OD X 1.375" SPRING PIN (2) REQ'D</p>
---	--	--

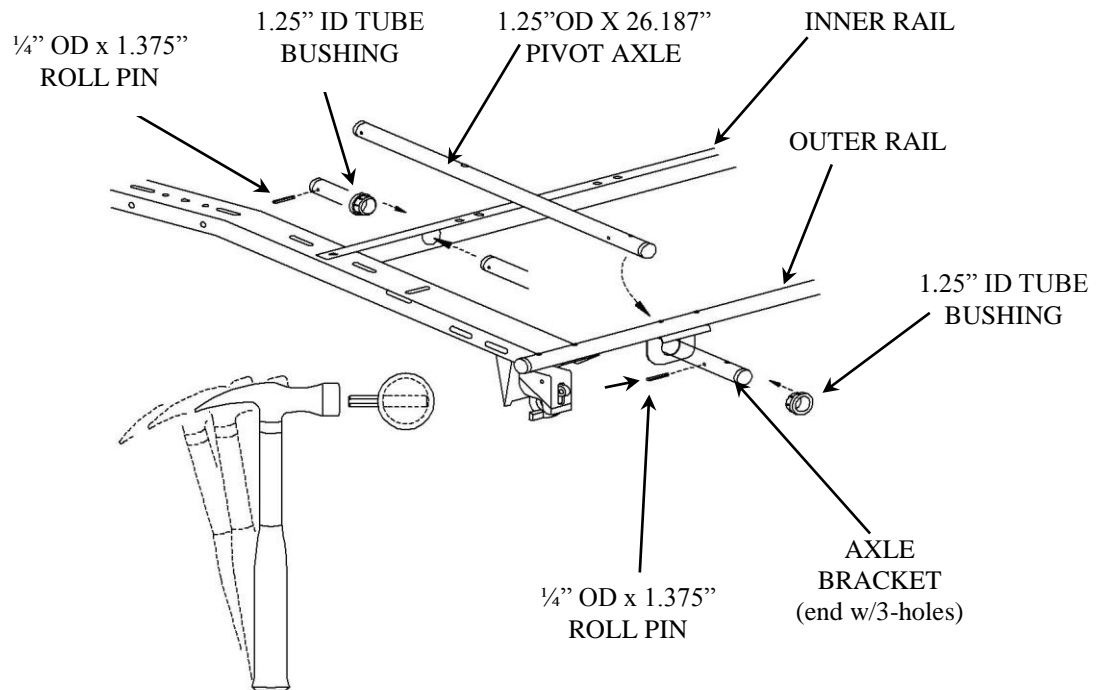
Insert the AXLE through the hole in the AXLE BRACKET. ****IMPORTANT** this end of the AXLE should have (3) holes in it: (see illustration below)

Next slide a BUSHING over the end of the AXLE and press the BUSHING flush into the hole in the AXLE BRACKET.

Now press the other BUSHING into the adjacent hole in the INNER RAIL and slide the other end of the AXLE through that BUSHING. (See illustration below)

Firmly tap a ROLL PIN into the smaller hole at the end of the AXLE that is in the AXLE BRACKET until the ROLL PIN stops inside the AXLE. ****TIP:** partially slide the AXLE back out to allow enough clearance to safely swing hammer and prevent damage to parts.







Now slide the AXLE all the way back in and tap the other ROLL PIN into the opposite end of the AXLE that goes through the INNER RAIL until the ROLL PIN stops inside the AXLE. ****TIP:** rotate the axle around to provide better access to the roll pin hole.





STEP – 04 ADJUSTABLE POST – CLAMP BRACKET INSTALLATION

The following fasteners and components are required to complete this step.

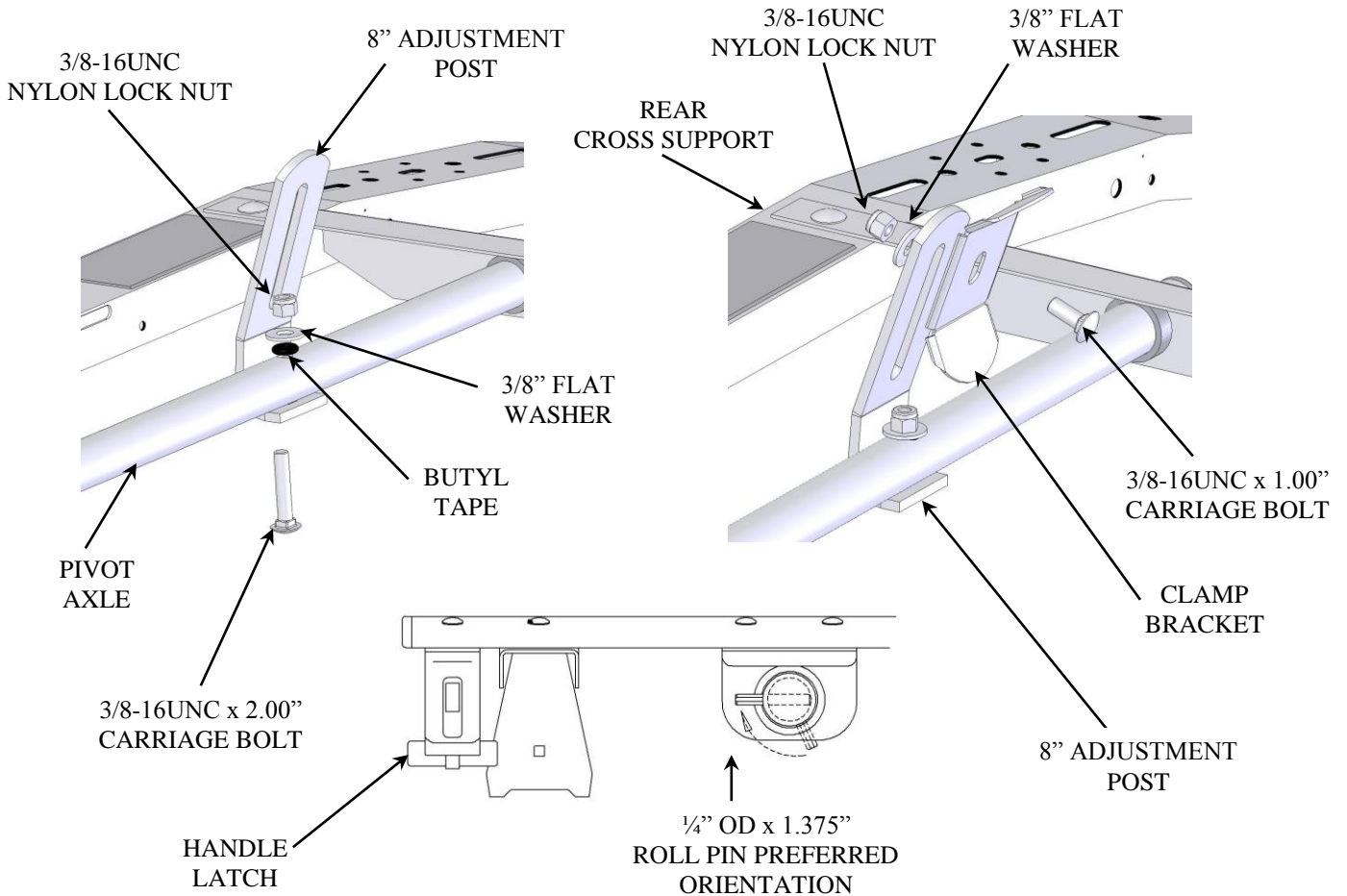
 09704-0 8" ADJUSTMENT POST	 37515-0 CLAMP BRACKET	 FAS0102 3/8-16UNC X 1.00" CARRIAGE BOLT (1) REQ'D	 FAS0184 3/8-16UNC X 2.00" CARRIAGE BOLT (1) REQ'D	 FAS0104 3/8" FLAT WASHER (2) REQ'D	 FAS0110 3/8-16UNC NYLON LOCK NUT (2) REQ'D 31 ft-lbs (+/- 2 ft-lbs)
---	--	--	--	--	---

Rotate the AXLE until the ROLL PIN points towards the HANDLE LATCH. (See illustration below)

Keeping the AXLE rotated this way, attach the ADJUSTMENT POST to the AXLE using a 3/8-16UNCx2.00" CARRIAGE BOLT, 3/8" FLAT WASHER, 3/8-16UNC NYLON LOCK NUT.

****NOTE:** once the 2" carriage bolt is inserted through the adjustment post and the axle seal the hole in the axle around the bolt with butyl tape before putting the 3/8" flat washer & 3/8-16UNC nylon lock nut on, tighten to recommended torque.

Next attach a CLAMP BRACKET to the ADJUSTMENT POST using a 3/8-16UNCx1.00" CARRIAGE BOLT, 3/8" FLAT WASHER, 3/8-16UNC NYLON LOCK NUT. (Do Not Tighten Yet!)





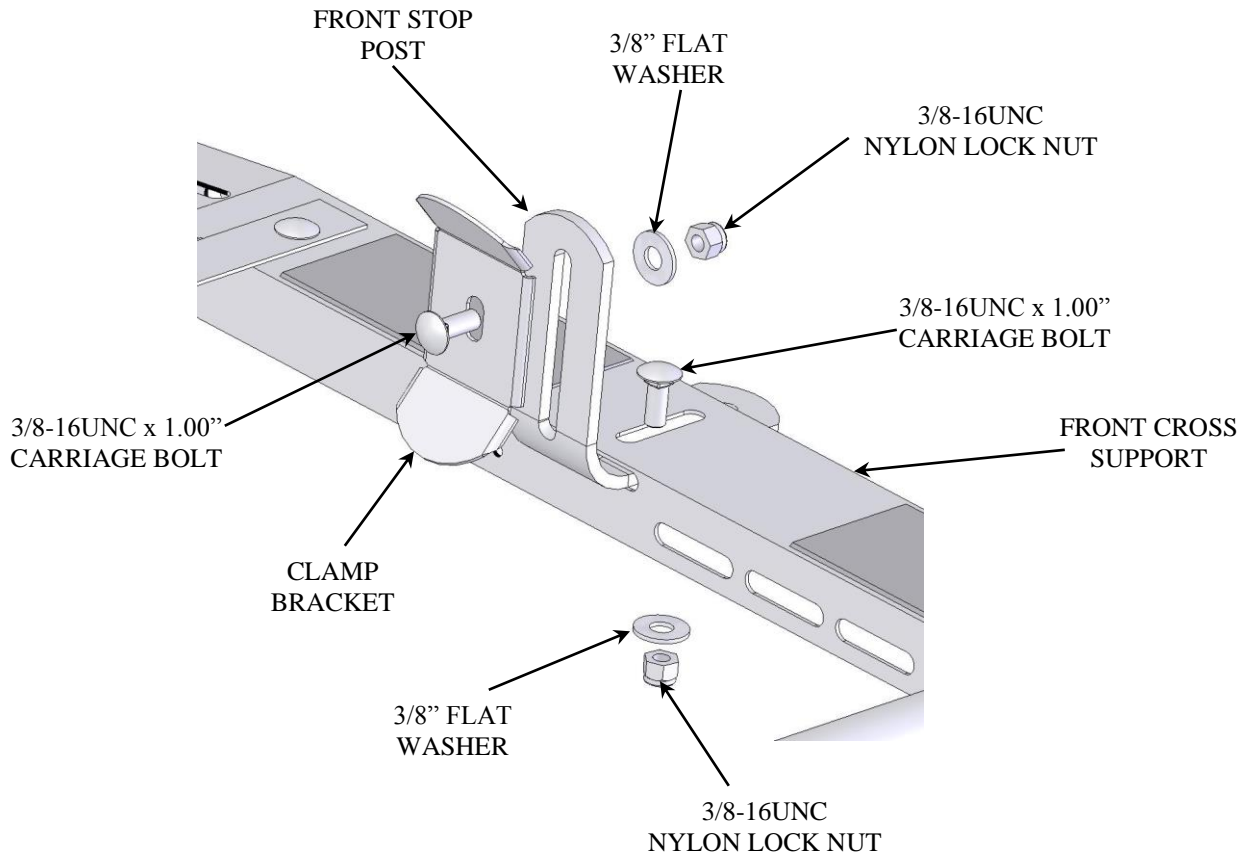
STEP – 05 FRONT STOP POST – CLAMP BRACKET INSTALLATION

The following fasteners and components are required to complete this step.

 25497-0 FRONT STOP POST	 37515-0 CLAMP BRACKET	 FAS0102 3/8-16UNC X 1.00” CARRIAGE BOLT (2) REQ'D	 FAS0104 3/8” FLAT WASHER (2) REQ'D	 FAS0110 3/8-16UNC NYLON LOCK NUT (2) REQ'D 31 ft-lbs (+/- 2 ft-lbs)
--	--	--	--	---

Insert the FRONT STOP POST into the front CROSS SUPPORT and attach with 3/8-16UNCx1.00” CARRIAGE BOLT, 3/8” FLAT WASHER, 3/8-16UNC NYLON LOCK NUT. (Do Not Tighten Yet!).

Attach a CLAMP BRACKET to the FRONT STOP POST using a 3/8-16UNCx1.00” CARRIAGE BOLT, 3/8” FLAT WASHER, 3/8-16UNC NYLON LOCK NUT. (Do Not Tighten Yet!)










STEP – 06

HANDLE BAR INSTALLATION

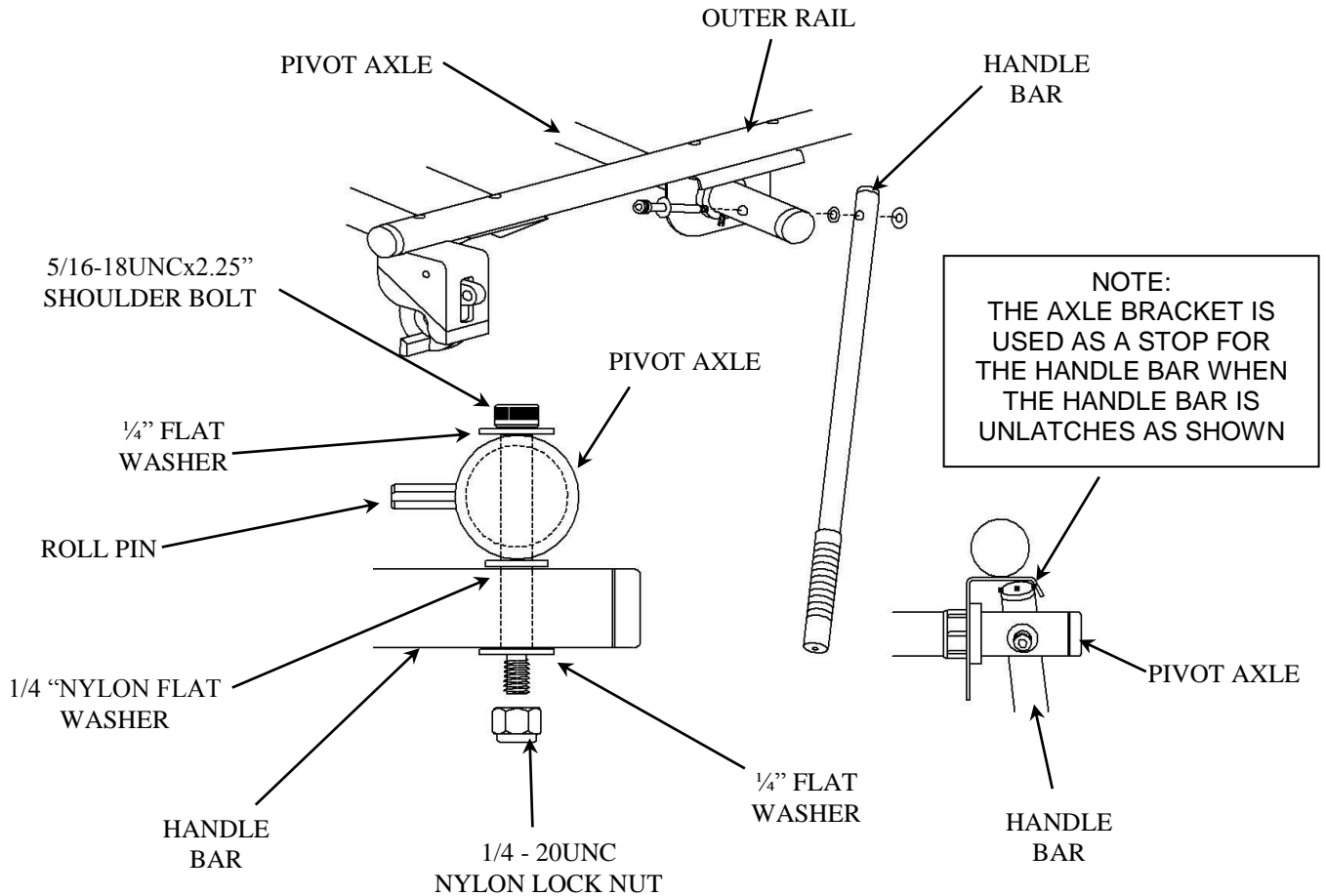
The following fasteners and components are required to complete this step.

 <p>17976-0 5/16-18UNC x 2.25" SHOULDER BOLT (1) REQ'D</p>	 <p>25410-0 HANDLE BAR (GRIPLOCK LDRK) (1) REQ'D</p>	 <p>FAS0124 1/4" FLAT WASHER (2) REQ'D</p>	 <p>10103-0 .813 B-NYLON FLAT WASHER (1) REQ'D</p>	 <p>FAS0058 1/4-20UNC, NYLON LOCK NUT (1) REQ'D 8 ft-lbs (+/- 2 ft-lbs)</p>
--	--	--	---	---

Insert the 2-1/4" SHOULDER BOLT through a 1/4" FLAT WASHER and then through the AXLE. NOTE: the head of the shoulder bolt should face up once the handle bar is attached.

Next insert a NYLON WASHER over the SHOULDER BOLT and then attach the HANDLE BAR to the AXLE followed with another 1/4" FLAT WASHER and a 1/4" NYLON LOCK NUT. (Tighten Snug Only)

NOTE: the nylon washer should be between the axle and the handle bar. Use 1/8" Allen Wrench to hold the shoulder bolt when tightening fasteners.




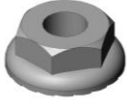




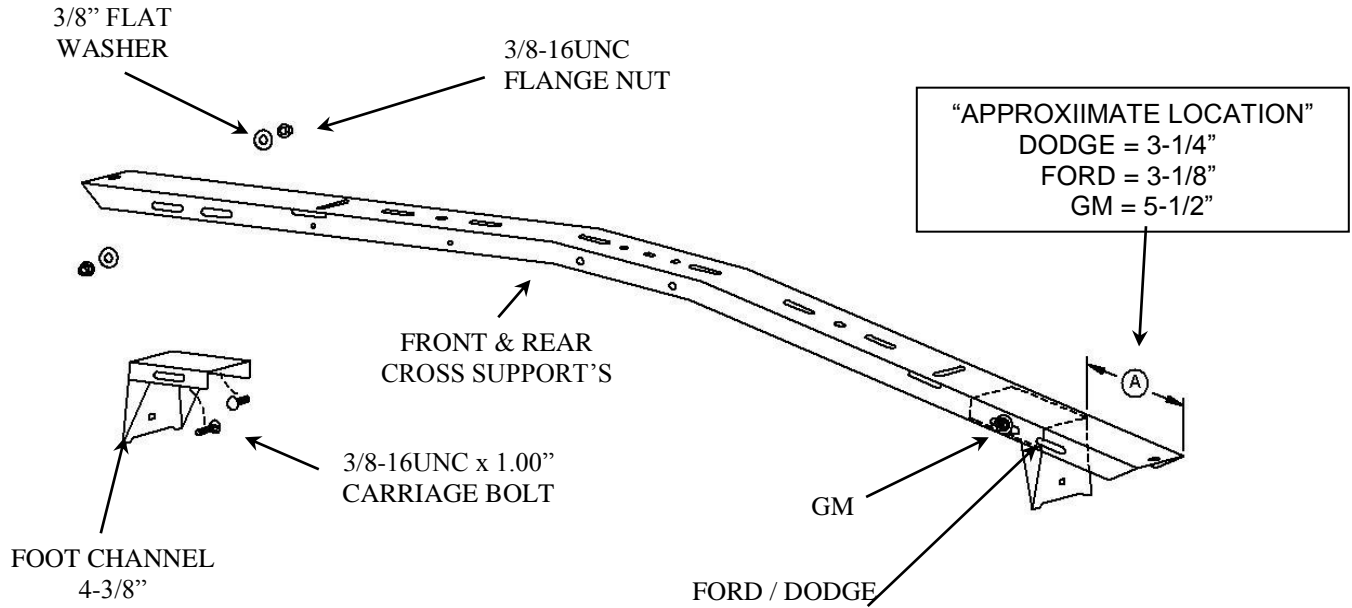
"GRIP LOCK" Ladder Rack

STEP - 07 FOOT CHANNEL TO CROSS SUPPORT ASSEMBLY

The following fasteners and components are required to complete this step.

 <p>16024-0 FOOT CHANNEL 4-3/8" (4) REQ'D</p>	 <p>FAS0102 3/8-16UNC X 1.00" CARRIAGE BOLT (8) REQ'D</p>	 <p>FAS0104 3/8" FLAT WASHER (8) REQ'D</p>	 <p>FAS0100 3/8-16UNC HEX FLANGE NUT (8) REQ'D 31 ft-lbs (+/- 2 ft-lbs)</p>
---	--	--	---

Attach the FOOT CHANNELS using 3/8-16UNCx1.00" CARRIAGE BOLT, 3/8" FLAT WASHER, 3/8-16UNC HEX FLANGE NUT for each slot in the FOOT CHANNELS (Finger Tighten Only). The final adjustment should be made during installation, the foot channels should be even distances from each end of the cross support to center the ladder rack on top of the van.





STEP – 08

LADDER RACK INSTALLATION ON VEHICLE

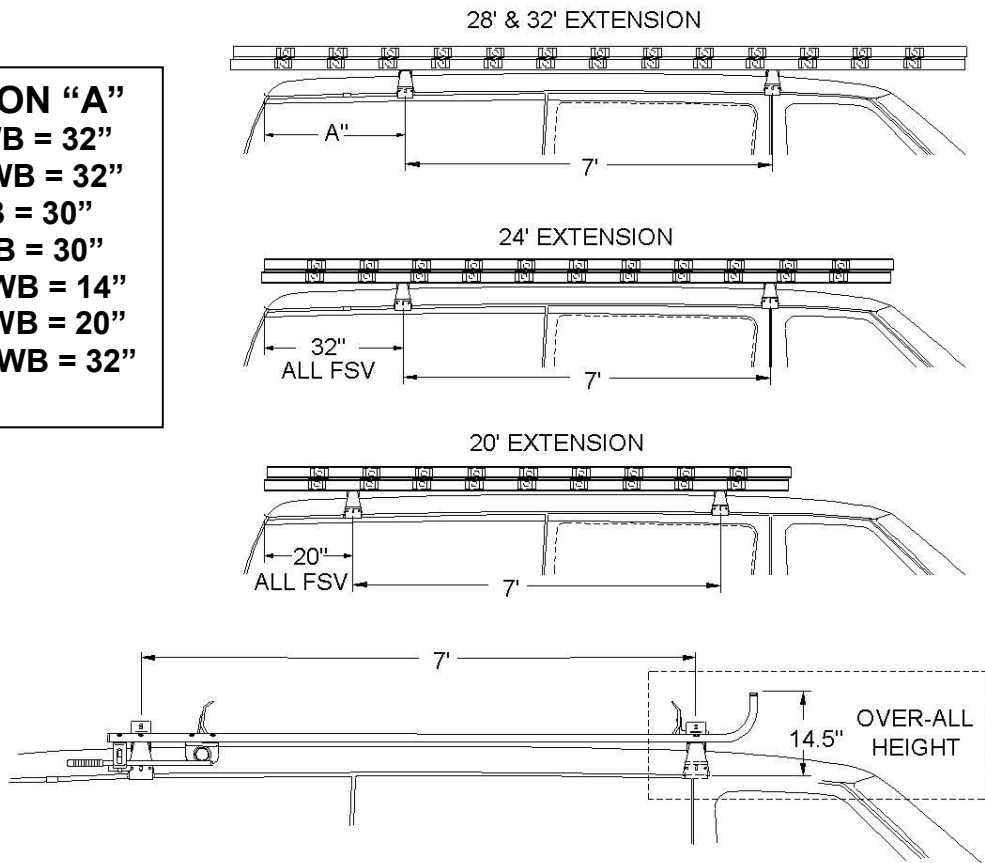
CAUTION!
AT LEAST TWO OR MORE PEOPLE ARE RECOMMENDED TO SET THE LADDER RACK ON TOP OF THE VEHICLE FOR SAFETY AND TO PROTECT VEHICLE ROOF

PLACEMENT OF LADDER RACK ON FULL SIZE VANS
(LONG WHEEL BASE VAN SHOWN)

The illustration below shows suggested ladder rack positions to help center your ladder on the ladder rack based on the size of ladder you intend to carry.


Caution! Never carry your ladder extended past the rear bumper.

<p>DIMENSION “A” FORD LWB = 32” FORD XLWB = 32” GM LWB = 30” GM XLWB = 30” DODGE SWB = 14” DODGE LWB = 20” DODGE XLWB = 32”</p>
--



**“GRIP LOCK” Ladder Rack****STEP – 09 SECURING LADDER RACK TO VEHICLE ROOF DRIP EDGE**

The following fasteners and components are required to complete this step.

 <p>11427-0 FOOT CLAMP, DRIP RAIL (FORD / DODGE FSV)</p>	 <p>22856-0 FOOT CLAMP, GMT600 (GM FSV)</p>	 <p>FAS0117 3/8-16UNC x 1.50 CARRIAGE BOLT</p>	 <p>FAS0139 1/2" FLAT WASHER</p>	 <p>07466-0 CAM NUT, ADJUSTABLE (4) REQ'D</p>	 <p>FAS0110 3/8-16UNC NYLON LOCK NUT 31 ft-lbs (+/- 2 ft-lbs)</p>
--	---	--	---	---	---

Once you have the ladder rack positioned on top of the van, adjust all the FOOT CHANNELS to the drip rails while centering the ladder rack (side to side) on top of the van.

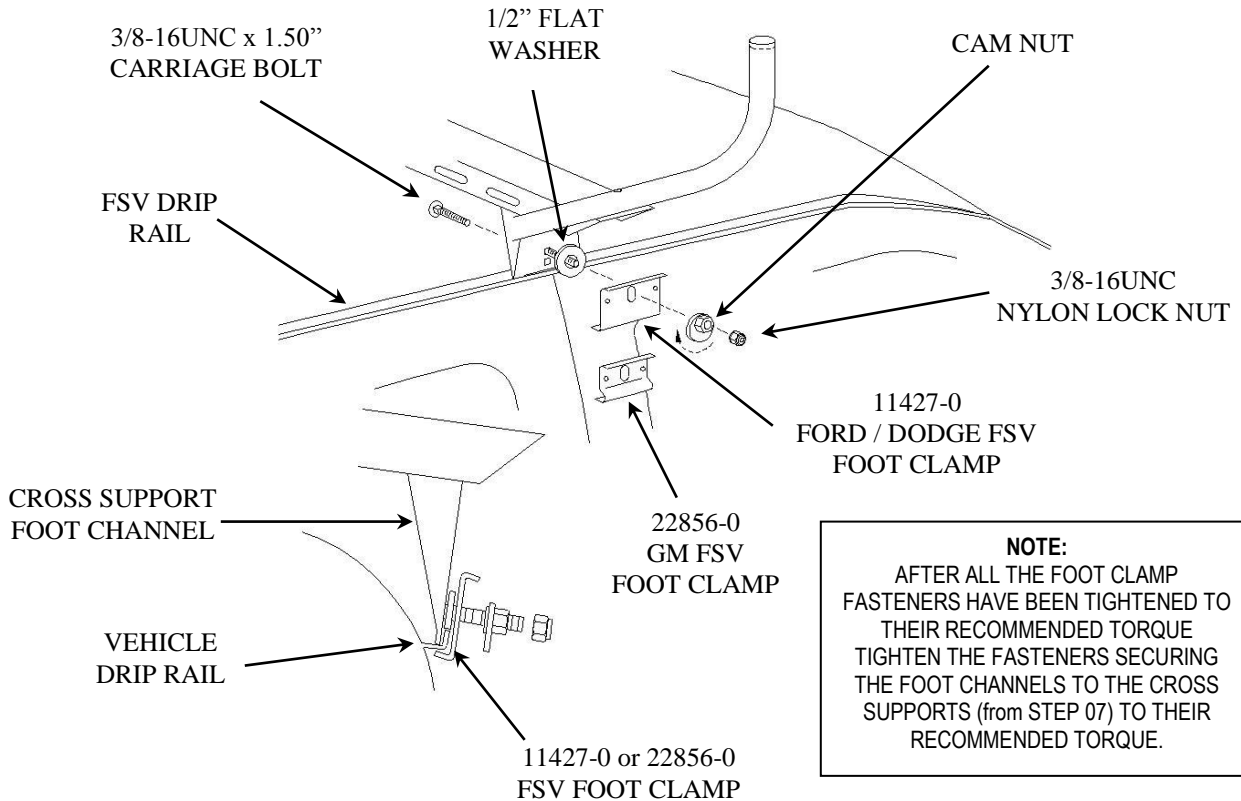
Insert a 3/8-16UNC x 1.50" CARRIAGE BOLT through the hole from behind the FOOT CHANNEL. Next slide a 1/2" FLAT WASHER over the 1.50" CARRIAGE BOLT.

Next attach a FOOT CLAMP, use 11427-0 for FORD/DODGE FSV or 22856-0 for GM FSV, be sure the bottom lip of the foot clamp grips under the drip rail.

Now slide a CAM Nut over the 1.50" CARRIAGE BOLT and snug it against the FOOT CLAMP with a 3/8-16UNC Nylon Lock NUT. Be sure the CAM NUT is flat against the FOOT CLAMP.

Loosen the 3/8"-16UNC Nylon Lock Nut 1/4 of a turn and use a 5/8" combination end wrench to rotate the CAM NUT clockwise to tighten the FOOT CLAMP against the drip rail. Now firmly tighten the 3/8"-16UNC Nylon Lock Nut to the recommended torque. Repeat the steps for the remaining FOOT CLAMPS.

Note: For DODGE short wheelbase vans with sliding side doors refer to STEP 10



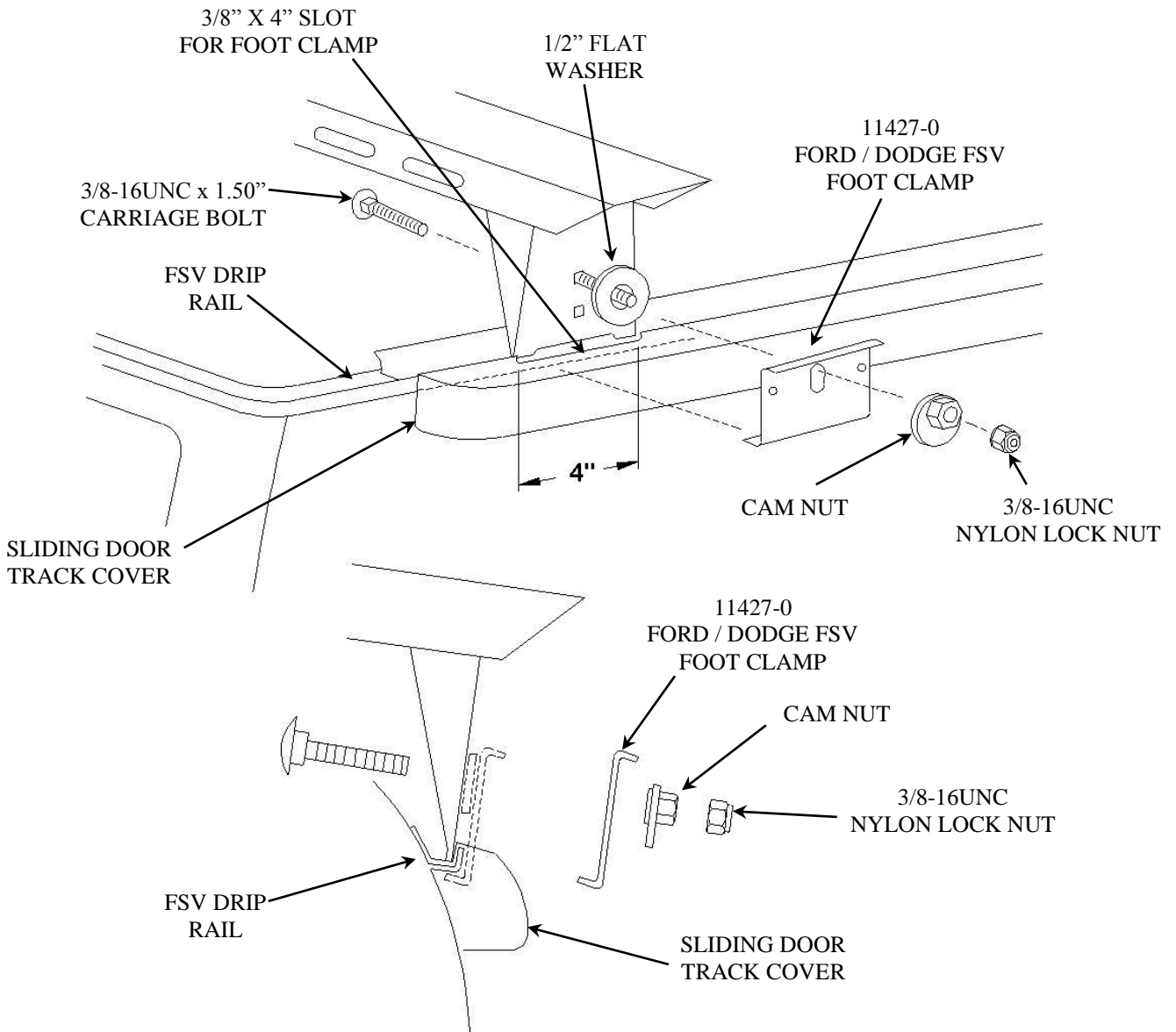
NOTE:
AFTER ALL THE FOOT CLAMP FASTENERS HAVE BEEN TIGHTENED TO THEIR RECOMMENDED TORQUE TIGHTEN THE FASTENERS SECURING THE FOOT CHANNELS TO THE CROSS SUPPORTS (from STEP 07) TO THEIR RECOMMENDED TORQUE.



STEP – 10 DODGE SHORT WHEELBASE VANS WITH SLIDING SIDE DOOR

“REAR FOOT CLAMP – PASSENGER (CURB) SIDE”

Mark the door track cover where the FOOT CHANNEL contacts it, see illustration below. Drill (2) 3/8" diameter holes 4" apart through the door track cover on the area you just marked. Trim out the metal between the two holes you just drilled. Now you should have clearance to insert the FOOT CHANNEL through the door track cover, and attach it to the FOOT CHANNEL the same way as the other FOOT CLAMPS.





Ladder Rack Adjustment

Load your ladder onto the ladder rack (see Loading & Unloading Section) and latch the HANDLE BAR into the HANDLE LATCH.

Now slide the ladder back towards the rear of the vehicle and slide the rear CLAMP BRACKET to fit snug over and against the ladder rungs as shown in illustration below.

Next slide the FRONT STOP POST at the front of the ladder rack back towards the rear of the vehicle and fit the front CLAMP BRACKET to the ladder rungs the same as the rear.

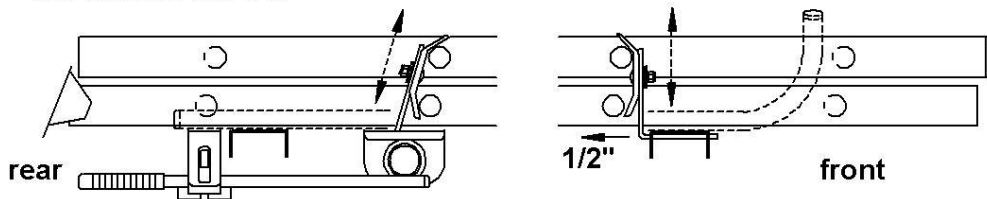
Tighten both front and rear CLAMP BRACKETS to their posts to their recommend torque. Snug the FRONT STOP POST to the front CROSS SUPPORT (fasteners hand tight only).

Now unlatch the HANDLE BAR and unload your ladder. Next loosen the FRONT STOP POST and slide it out towards the rear of the vehicle 1/2" and FIRMLY RETIGHTEN to their recommended torque.

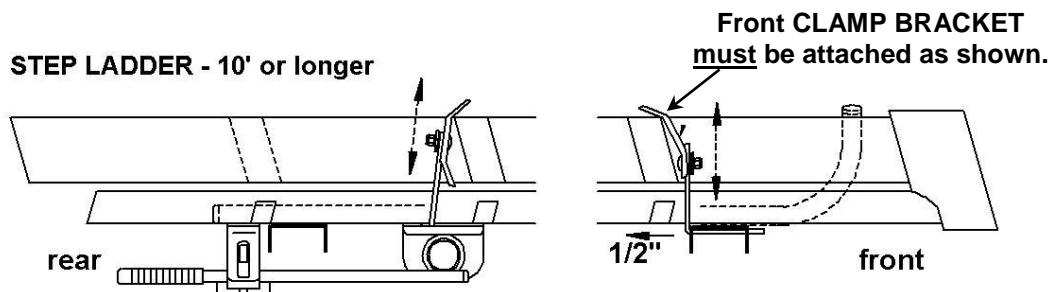
YOUR LADDER RACK SHOULD NOW BE ADJUSTED FOR YOUR LADDER

**** CAUTION: Never carry your ladder feet extended past the rear bumper. ****

EXTENSION LADDER



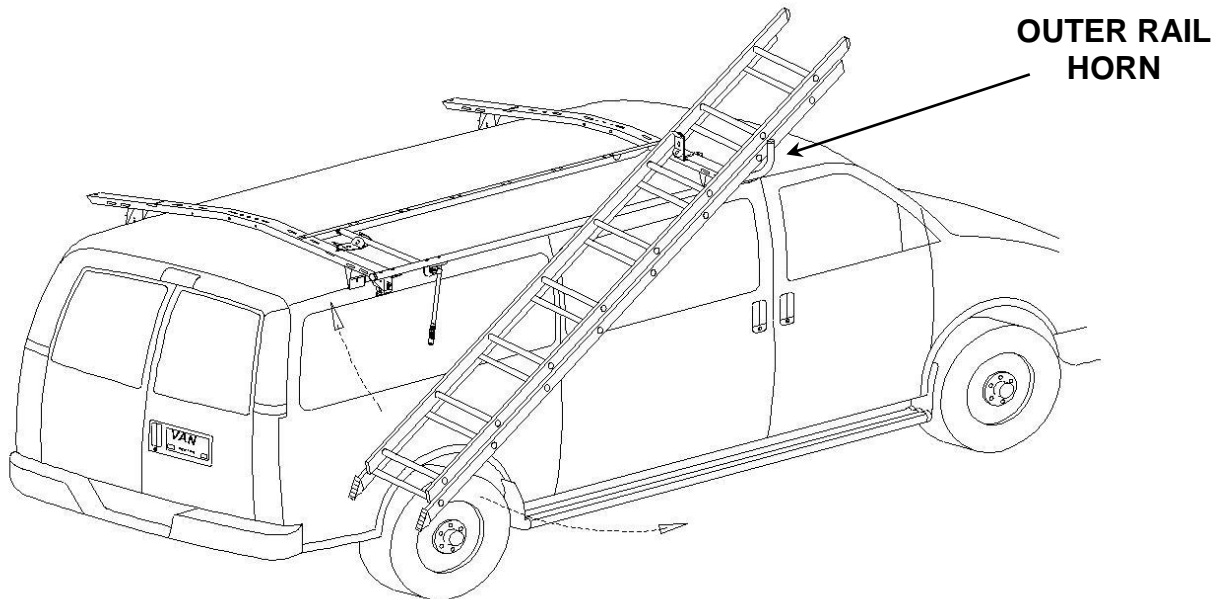
**** CAUTION: Never clamp up the first step and the head of the STEP LADDER****



NOTE: For step ladders under 10" order a "68-3 Step Ladder Kit".



LOADING AND UNLOADING



TO SAFELY LOAD & UNLOAD YOUR LADDER USE THE “OUTER RAIL HORN”
AS A PIVOT POINT TO SUPPORT THE FRONT OF THE LADDER.
THIS WILL MAKE LOADING AND UNLOADING YOUR LADDER A LOT EASIER AND SAFER!



**DOUBLE-CHECK ALL FASTENER LOCATIONS TO BE
SURE THAT ALL FASTENERS ARE TIGHTENED TO
SPECIFICATIONS!**



***YOUR INSTALLATION IS NOW COMPLETE! STOW THIS COPY IN THE VEHICLE
FOR FUTURE REFERENCE!***

ATTENTION!! LADDER RACK PURCHASER

It is advised that “all fasteners” that assemble and install your Ladder Rack is “checked for tightness” at (2) weeks of operation and then rechecked again at (6) weeks of operation.

Assembly fasteners could loosen due to vibration through your vehicle while on the road or in and out of construction sites.

“Drip Rail Clamps” could loosen due to the Ladder Rack Feet settling into the grouting that the O.E.M. put into the grip rail as a seal.

This is a preventative maintenance step to insure that your Ladder Rack give you a long service life.