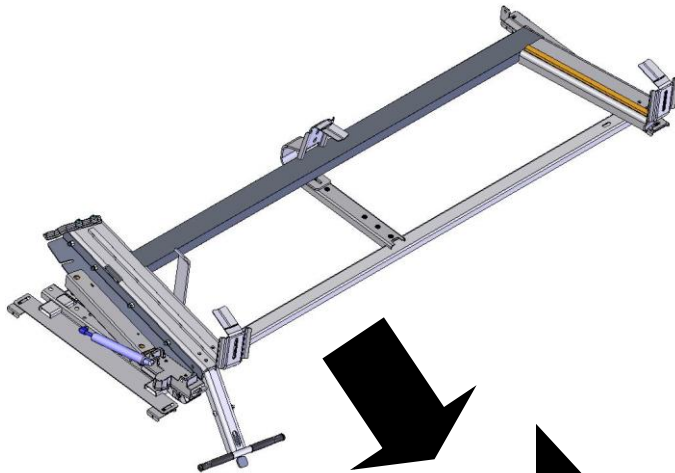


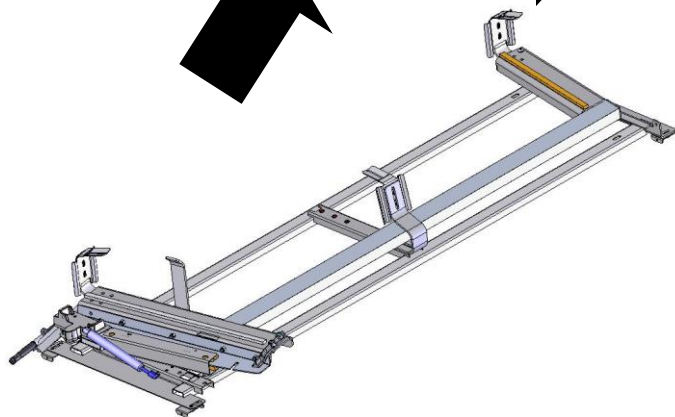
# Assembly/Install Instructions

FOR USE WITH FULL SIZE VANS








LR-6200WCF, CURBSIDE MODULE



**LOADSRITE MODULES ARE USED TO COMPLETE THE FOLLOWING SYSTEMS.**



LR6200-WSF, STREETSIDE MODULE

LR6100WCF SINGLE RACK CURBSIDE INSTALLATION		SHIPPED IN 2 CARTONS
LR6100WSF SINGLE RACK STREETSIDE INSTALLATION		SHIPPED IN 2 CARTONS
LR6300WF DOUBLE RACK 1 EACH STREETSIDE & CURBSIDE		SHIPPED IN 3 CARTONS
LR6400WCF COMBO RACK WITH CURBSIDE LOADSRITE		SHIPPED IN 2 CARTONS
LR6400WSF COMBO RACK WITH STREETSIDE LOADSRITE		SHIPPED IN 2 CARTONS
LR6500WCF SHIPTHRU COMBO RACK WITH CURBSIDE LOADSRITE		SHIPPED IN 2 CARTONS
LR6500WSF SHIPTHRU COMBO RACK WITH STREETSIDE LOADSRITE		SHIPPED IN 2 CARTONS

ISSUE: K P.N.: 35190-0

CHK.BY:

REV.BY: BDS

DWG.BY: BTS

ECN- 21094

**BEFORE YOU START**



**IMPORTANT NOTES PERTAINING TO USER AND/OR PRODUCT SAFETY ARE DENOTED BY A STOP SIGN AND THEY MUST BE FOLLOWED IN ORDER TO COMPLETE A SAFE ASSEMBLY AND INSTALLATION!**



**YOU WILL NEED THE FOLLOWING TOOLS IN ORDER TO COMPLETE THIS JOB.**

<p>7/32" ALLEN WRENCH AND/OR 7/32" ALLEN SOCKET</p>	<p>9/16" OPEN END WRENCH</p>	<p>RATCHET WRENCH, WITH 9/16" SOCKET</p>
<p>Ft. Lb. TOURQUE WRENCH</p>	<p><b>WARNING: DO NOT USE IMPACT TOOLS FOR ASSEMBLY!</b></p>	



**ALL FASTENERS USED IN THE ASSEMBLY AND INSTALLATION OF THIS PRODUCT SHOULD BE TIGHTENED TO A TORQUE OF 18 FT. LBS.**

**THE USE OF AIR OR ELECTRIC IMPACT TOOLS FOR THE ASSEMBLY OF FASTENERS IS NOT RECOMMENDED AND COULD CAUSE FASTENER FAILURE!**

## STEP - 01

Remove the hardware box from the carton and set it aside for later use. If you are assembling this LOADSRITE<sup>®</sup> for a ship thru application you will need to stow the hardware box inside the vehicle.

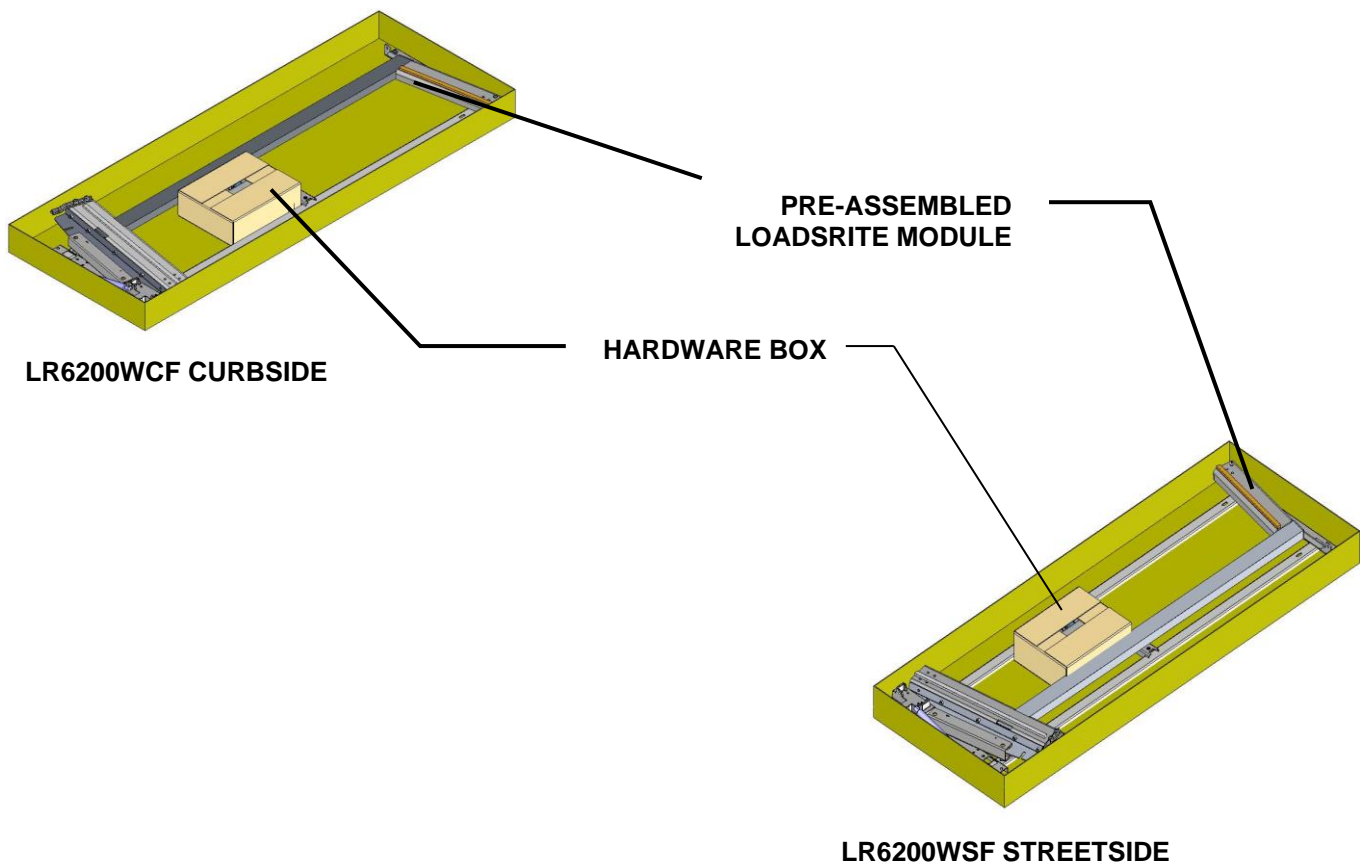
## STEP - 02

### REMOVAL OF LOADSRITE MODULE FROM CARTON

Remove the LOADSRITE<sup>®</sup> unit from the carton and place onto a smooth level work surface for assembly of the additional parts to complete the unit.



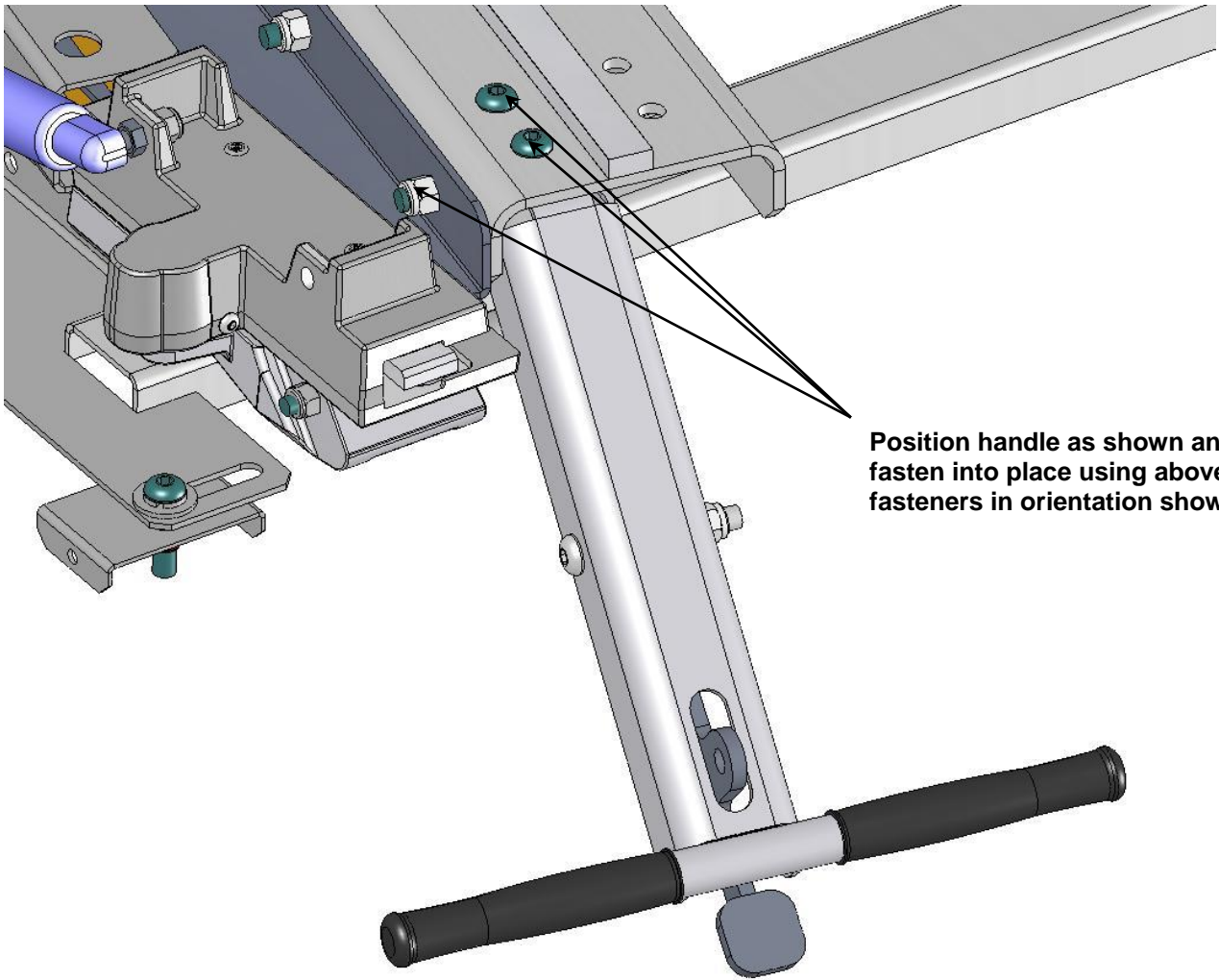
**DO NOT** remove the cable tie wraps from the base & bed assembly until after you have completed *step 03* of this assembly!



**STEP - 03**

**HANDLE ASSEMBLY INSTALL FOR CURBSIDE**  
Remove the following parts from the hardware box and fastener bag.

 <p><b>FAS0572</b> 3/8-16 x 1" BHCS (3) REQUIRED TORQUE TO 18ft. lbs.</p>	 <p><b>FAS0249</b> 3/8-16 NUT NYLOCK (3) REQUIRED</p>	 <p><b>34769-W</b> HANDLE ASM CRBSD (1) REQUIRED</p>
--	--	---



Position handle as shown and fasten into place using above fasteners in orientation shown

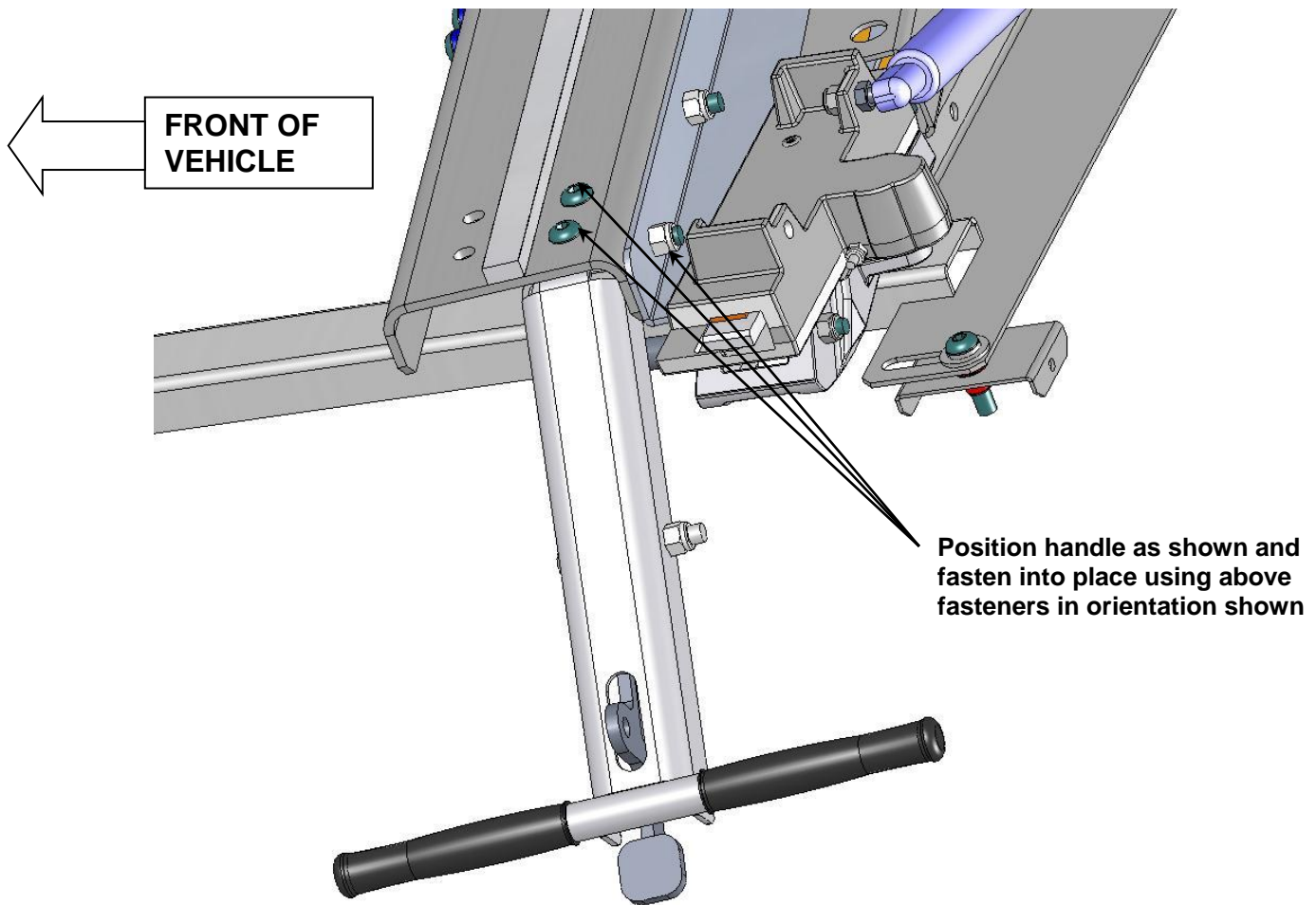


**CHECK THE LATCH FOR PROPER OPERATION (LATCHING) BEFORE PROCEEDING! THE LATCH SHOULD SECURELY HOLD THE UNIT IN PLACE AND SHOULD RELEASE EASILY USING THE LATCH RELEASE LEVER.**

**STEP – 03a**

**HANDLE ASSEMBLY INSTALL FOR STREETSIDE**  
Remove the following parts from the hardware box and fastener bag.

 <p><b>FAS0572</b> 3/8-16 x 1" BHCS (3) REQUIRED TORQUE TO 18ft. lbs.</p>	 <p><b>FAS0249</b> 3/8-16 NUT NYLOCK (3) REQUIRED</p>	 <p><b>34769-W</b> HANDLE ASM CRBSD (1) REQUIRED</p>
--	--	---









**CHECK THE LATCH FOR PROPER OPERATION (LATCHING) BEFORE PROCEEDING! THE LATCH SHOULD SECURELY HOLD THE UNIT IN PLACE AND SHOULD RELEASE EASILY USING THE LATCH RELEASE LEVER.**

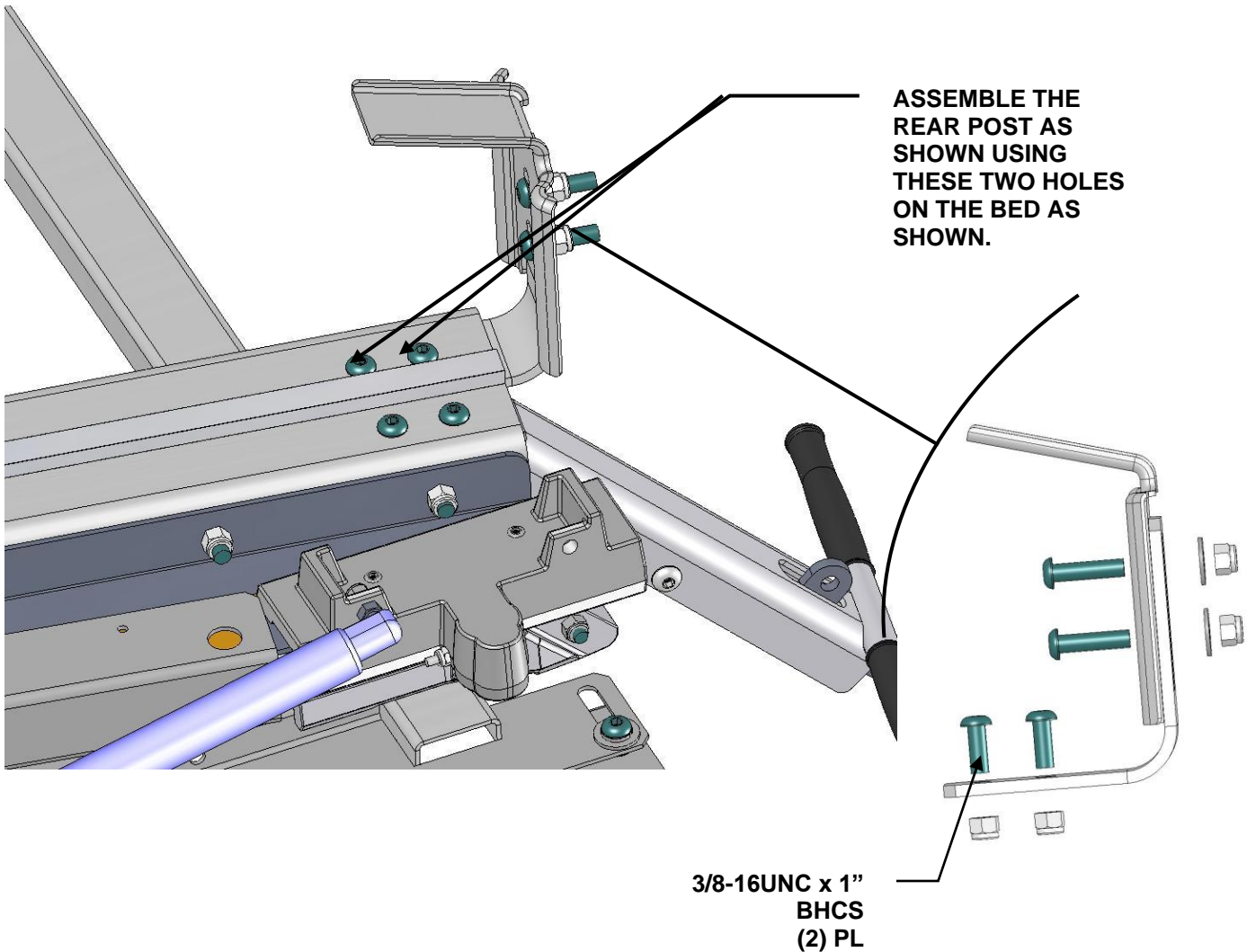
**STEP - 04**

**REAR POST ASSEMBLY**

Remove the following parts from the hardware box and fastener bag. Assemble the parts as shown. Curbside and streetside assembly are the same.

 <p><b>34766-W</b> REAR POST (1) REQUIRED</p>	 <p><b>37518-0</b> UNIV CLAMP PAD (1) REQUIRED</p>	 <p><b>FAS0104</b> 3/8" FLAT WASHER (2) REQUIRED</p>	 <p><b>FAS0577</b> 3/8-16 x 1-1/2" BHCS (2) REQUIRED TORQUE TO 18ft. lbs.</p>	 <p><b>FAS0572</b> 3/8-16 x 1" BHCS (2) REQUIRED TORQUE TO 18ft. lbs.</p>	 <p><b>FAS0249</b> 3/8-16 NYLOCK NUT (4) REQUIRED TORQUE TO 18ft. lbs.</p>
--	---	---	--	--	---







**CURBSIDE MODULE SHOWN**



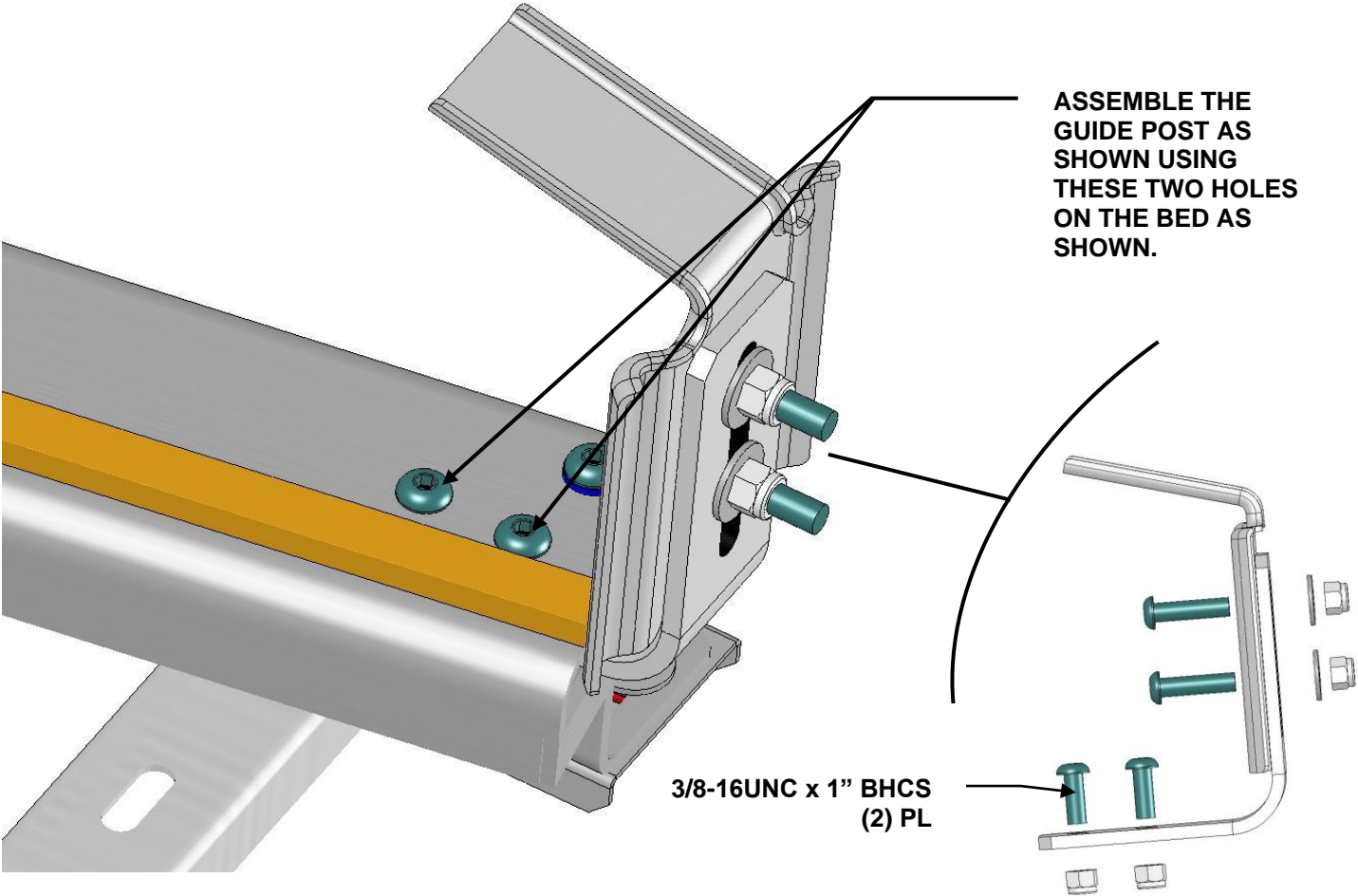
**STEP - 05**

**GUIDE POST ASSEMBLY**

Remove the following parts from the hardware box and fastener bag. Assemble the parts as shown. Curbside and streetside assembly the same.

 <b>34766-W</b> <b>REAR POST</b> <b>(1) REQUIRED</b>	 <b>37518-0</b> <b>UNIV CLAMP PAD</b> <b>(1) REQUIRED</b>	 <b>FAS0104</b> <b>3/8"</b> <b>FLAT WASHER</b> <b>(2) REQUIRED</b>	 <b>FAS0577</b> <b>3/8-16 x 1-1/2"</b> <b>BHCS</b> <b>(2) REQUIRED</b> <b>TORQUE TO</b> <b>18ft. lbs.</b>	 <b>FAS0572</b> <b>3/8-16 x 1"</b> <b>BHCS</b> <b>(2) REQUIRED</b> <b>TORQUE TO</b> <b>18ft. lbs.</b>	 <b>FAS0249</b> <b>3/8-16 NYLOCK NUT</b> <b>(4) REQUIRED</b> <b>TORQUE TO</b> <b>18ft. lbs.</b>
--	---	---	--	--	---




**CURBSIDE MODULE SHOWN**



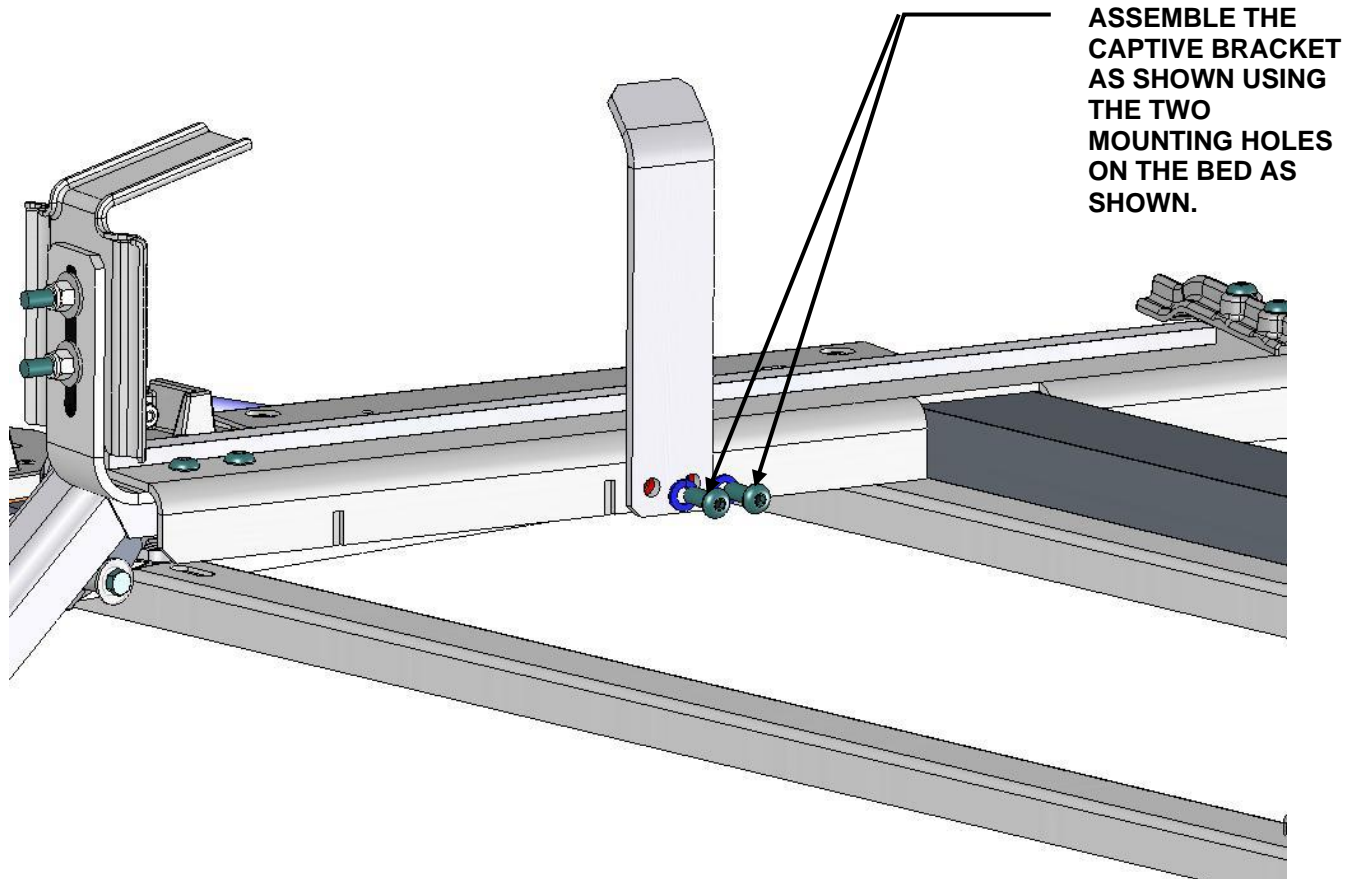
**STEP – 06**

**CAPTIVE BRACKET ASSEMBLY**

Remove the following parts from the hardware box and fastener bag. Assemble the parts as shown. Curbside and streetside assembly the same.

 <p><b>37519-0</b> <b>CAPTIVE BRACKET</b> <b>(1) REQUIRED</b></p>	 <p><b>FAS0575</b> <b>3/8"</b> <b>SPLIT LOCKWASHER</b> <b>(2) REQUIRED</b></p>	 <p><b>FAS0572</b> <b>3/8-16 x 1" BHCS</b> <b>(2) REQUIRED</b> <b>TORQUE TO</b> <b>18ft. lbs.</b></p>
--	---	--

**CURBSIDE MODULE SHOWN**











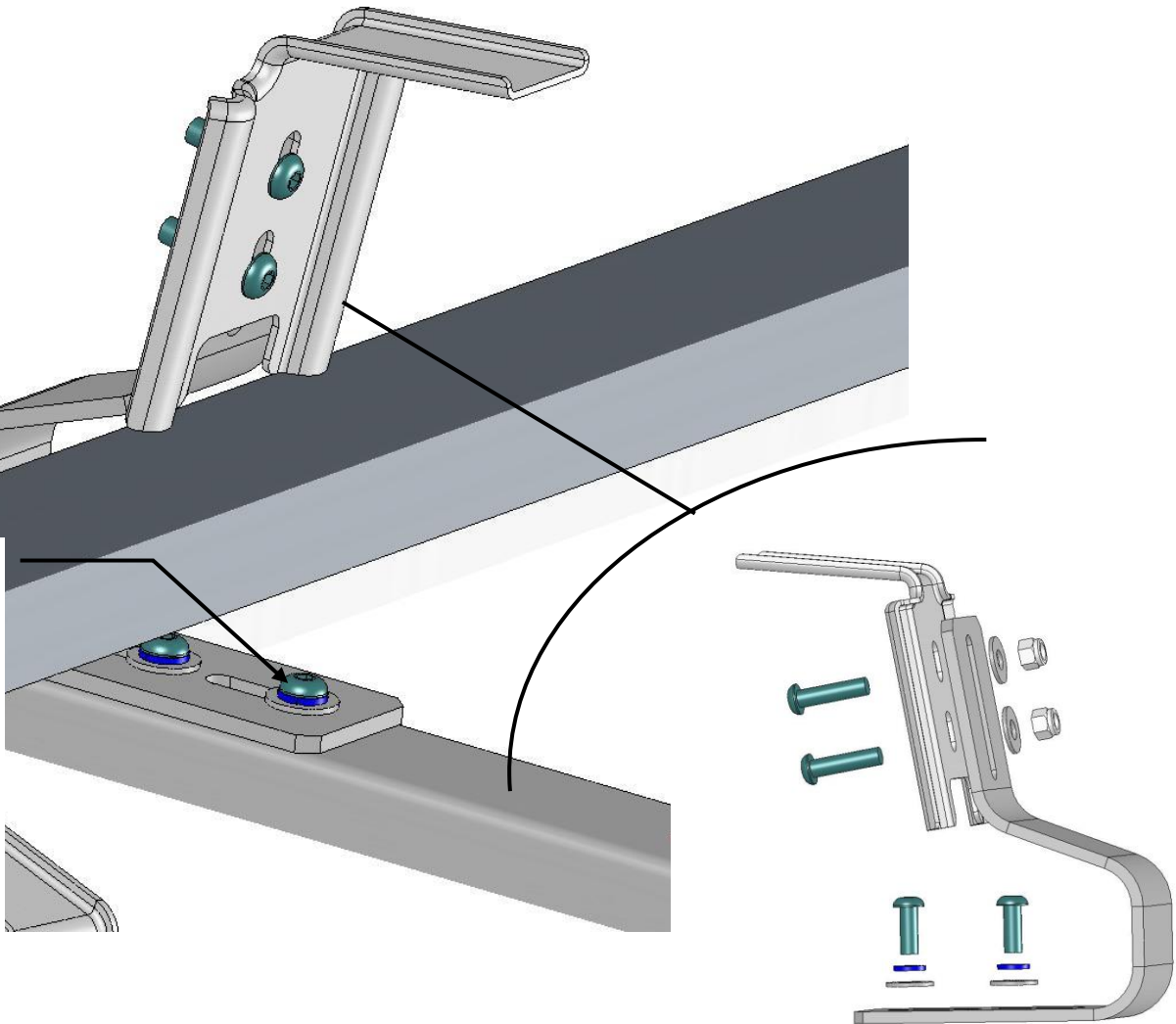
**STEP - 07**

**BASE CLAMP ASSEMBLY**

Remove the following parts from the hardware box and fastener bag. Assemble the parts as shown. Curbside and streetside assembly the same.

 <p>29692-0 BASE CLAMP MOUNT W/3 SLOTS (1) REQUIRED</p>	 <p>37518-0 UNIV CLAMP PAD (1) REQUIRED</p>	 <p>FAS0104 3/8" FLAT WASHER (4) REQUIRED</p>	 <p>FAS0577 3/8-16 x 1-1/2" BHCS (4) REQUIRED TORQUE TO 18ft. lbs.</p>	 <p>FAS0249 3/8-16 NYLOCK NUT (2)REQUIRED TORQUE TO 18ft. lbs.</p>	 <p>FAS0575 3/8" SPLIT LOCK WASHER (2) REQUIRED</p>
--	--	--	---	---	--

ASSEMBLE THE BASE CLAMP AS SHOWN USING EITHER TWO MOUNTING HOLES OF THE THREE, ON THE BASE AS SHOWN. TWO SETS OF HOLES ARE PROVIDED AS WELL AS 3 SLOTS TO ALLOW FOR ADJUSTMENT FOR WIDER LADDERS.








**STEP – 08**

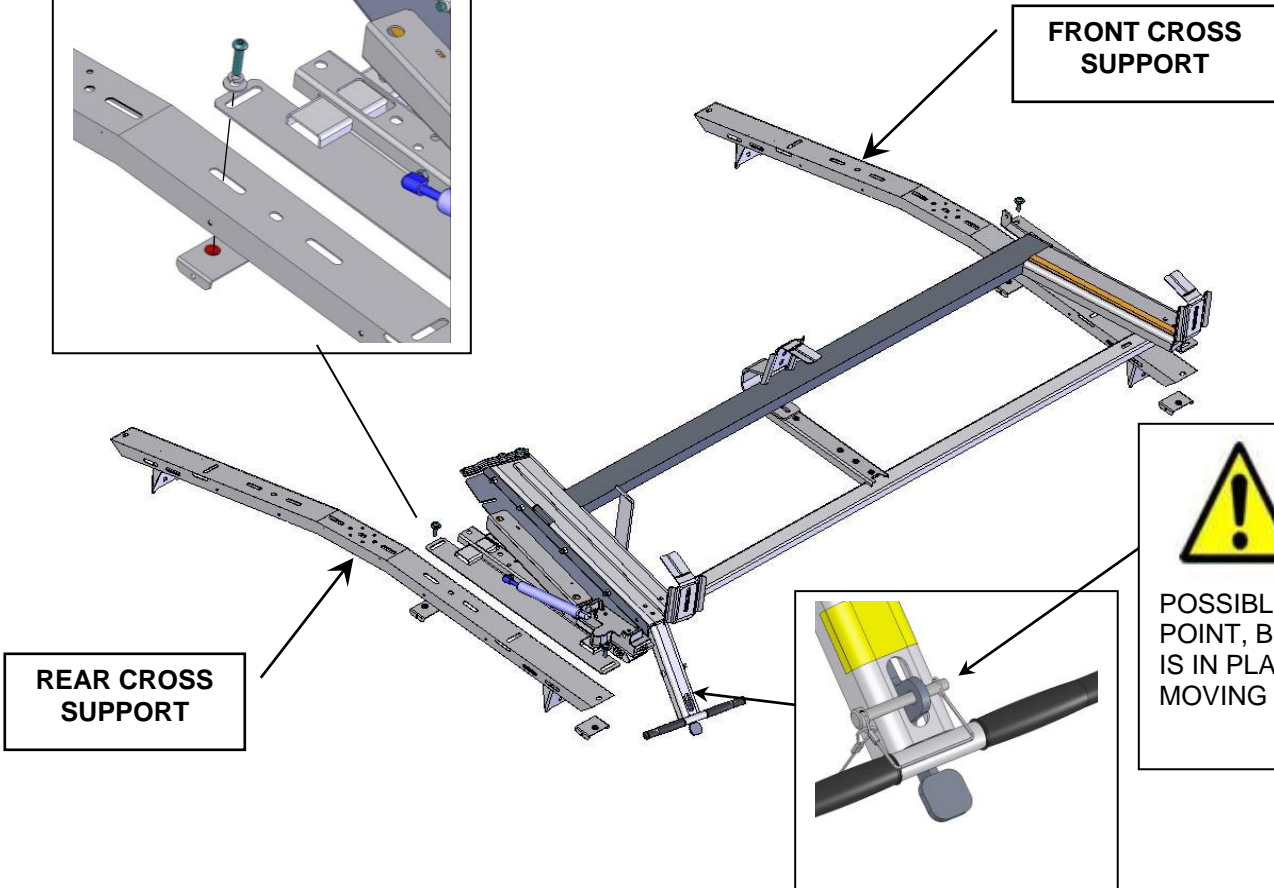
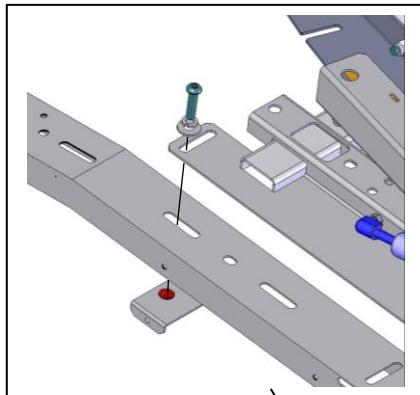
**INSTALLATION OF COMPLETED LOADSRITE ASSEMBLY**

Mount the Loadsrite onto the Cross Supports, or 60 series Ladder rack. If you have a 60 series Ladder Rack you will need to remove the outer rail, inner rail and any other parts that are installed on the side of the 60 series ladder rack that you are going to install the Loadsrite unit on. Both the cross supports and the 60 series ladder rack should already be installed on to your vehicle. See the instructions that came with these items for proper assembly and installation.

Mount your LoadsRite onto the Cross Supports that should be already installed on your van as shown below using fasteners indicated. Note: Cross Supports should be 7' on center.

Once the ladder rack is completely installed on to the Cross Supports, and is ready for transport make sure to attach the Latch Lanyard as shown below

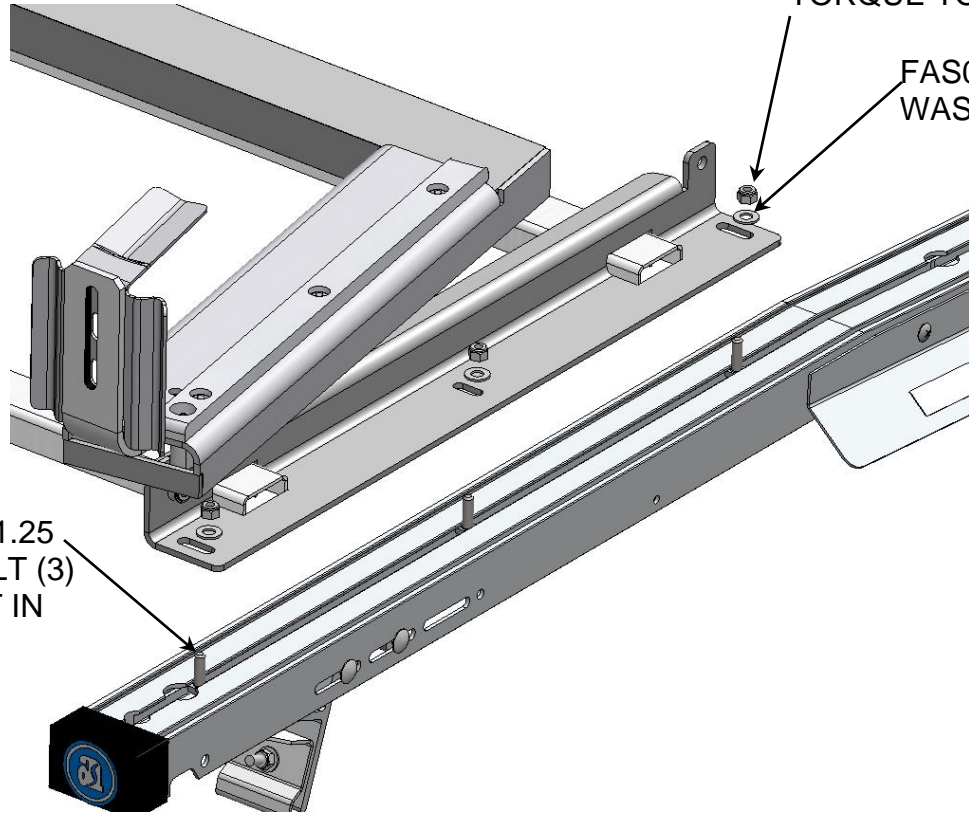
 <p><b>28494-0</b> <b>ANCHOR PLATE</b> <b>(4) REQUIRED</b></p>	 <p><b>FAS0104</b> <b>3/8"</b> <b>FLAT</b> <b>WASHER</b> <b>(4) REQUIRED</b></p>	 <p><b>FAS0577</b> <b>3/8-16 x 1-1/2" BHCS</b> <b>(4) REQUIRED</b> <b>TORQUE TO</b> <b>18ft. lbs.</b></p>	 <p><b>FAS0575</b> <b>3/8" SPLIT LOCK</b> <b>WASHER</b> <b>(4) REQUIRED</b></p>	 <p><b>34753-0</b> <b>LATCH LANYARD</b> <b>ASSEMBLY</b> <b>(1) REQUIRED</b></p>
---	---	--	---	--



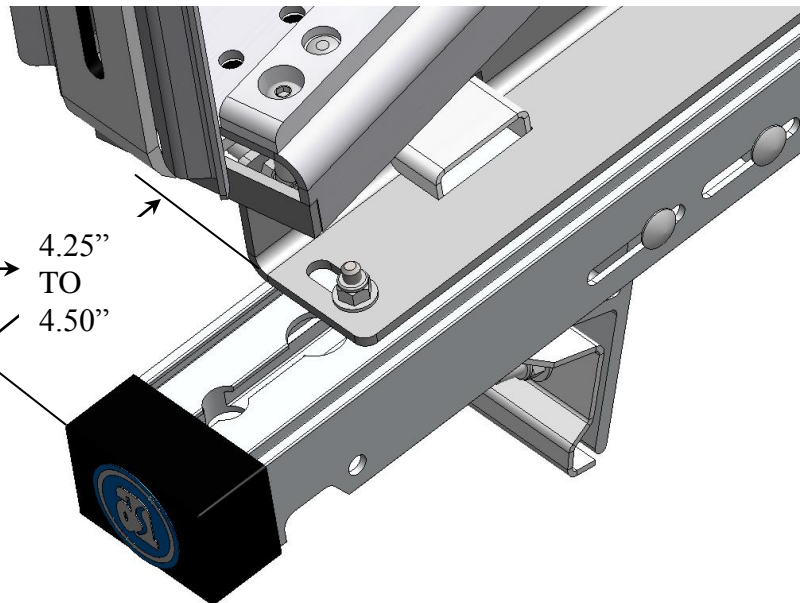
INSTALLING LOADSRITE UNIT ON EZ LOAD LADDER RACK.  
REQUIRES FASTENER BAG BAGLR64EZ.

FAS0248 5/16-18  
LOCKNUT (3)  
TORQUE TO 12 FT LBS

FAS0552 5/16  
WASHER (3)



FAS0035 5/16-18X 1.25  
SQUARE HEAD BOLT (3)  
SLIDE INTO T-SLOT IN  
BOW AS SHOWN.



FOR FULL SIZE, LOW ROOF  
FORD TRANSIT APPLICATIONS,  
THIS DIMENSION TO BE 2.38".  
ALSO, FOR ALL APPLICATIONS,  
CHECK CLEARANCE OF HANDLE  
TO SLIDING SIDE DOOR.

# **WARNING**

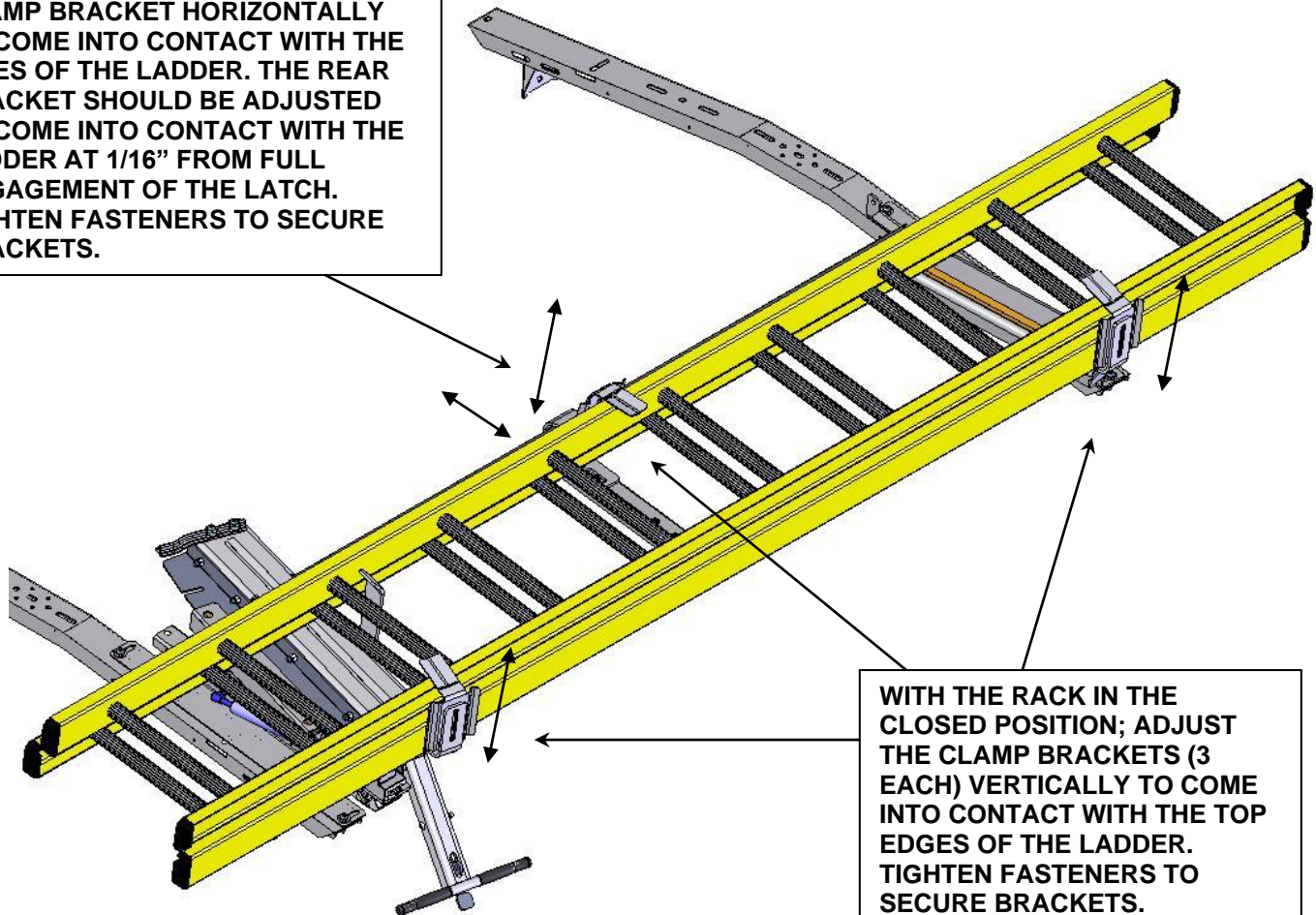
## **This Product Requires Final Adjustment Prior to Use!**

The end user must perform the following adjustments to ensure proper function and safe operation of this product!

**FAILURE TO COMPLETE THESE FINAL ADJUSTMENTS COULD VOID YOUR WARRANTY!**

**ADJUST THE THREE (3) CLAMP BRACKETS TO FIT YOUR LADDER. PLACE THE LADDER ONTO THE RACK AND ADJUST EACH BRACKET AS SHOWN BELOW.**

WITH THE RACK IN THE CLOSED POSITION; ADJUST THE REAR CLAMP BRACKET HORIZONTALLY TO COME INTO CONTACT WITH THE SIDES OF THE LADDER. THE REAR BRACKET SHOULD BE ADJUSTED TO COME INTO CONTACT WITH THE LADDER AT 1/16" FROM FULL ENGAGEMENT OF THE LATCH. TIGHTEN FASTENERS TO SECURE BRACKETS.



**ONCE YOU HAVE COMPLETED THE ADJUSTMENTS; TEST THE OPERATION OF THE RACK. IF THE LATCHING/UNLATCHING OF THE RACK IS DIFFICULT THEN YOU SHOULD RE-CHECK THE BRACKETS TO ENSURE CORRECT ADJUSTMENT. YOUR LADDER RACK IS NOW READY FOR USE**



**THIS COMPLETE INSTRUCTION MANUAL MUST BE PRESENTED TO THE END USER WHEN DELIVERING THE INSTALLED PRODUCT!**

---

**It is advised that “All Fasteners” used in the assembly and installation of this Ladder Rack System be “checked for tightness” at the following intervals:**

**At 2 Weeks of Operation.  
and again  
At 6 Weeks of Operation.**

**Assembly “fasteners could loosen” due to vibration through your vehicle while on the road or in and out of construction sites.**

**Drip rail clamps could loosen due to Ladder Rack Feet settling into the grouting that the O.E.M. puts into the drip rail as a seal.**

**This preventative maintenance step must be completed to ensure your Ladder Rack System gives you long service life.**

**Failure to complete this required safety inspection at prescribed intervals “could” void your product warranty.**



**THIS COMPLETE INSTRUCTION MANUAL MUST BE PRESENTED TO THE END USER WHEN DELIVERING THE INSTALLED PRODUCT!**

---