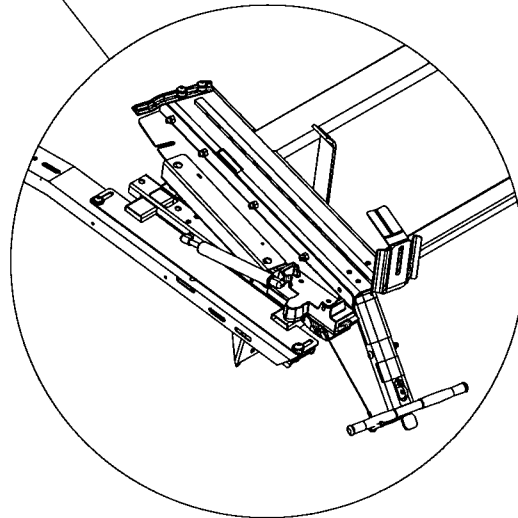
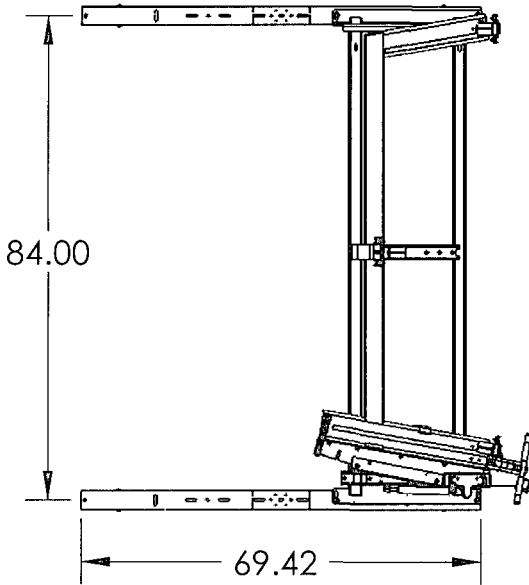
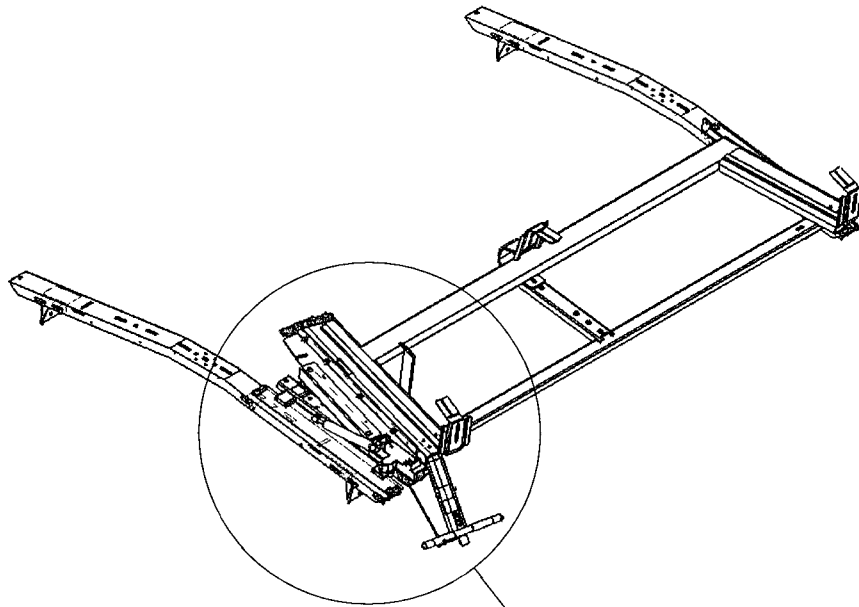


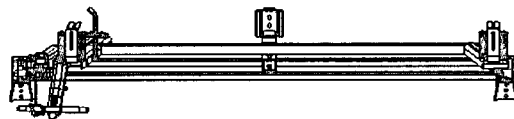
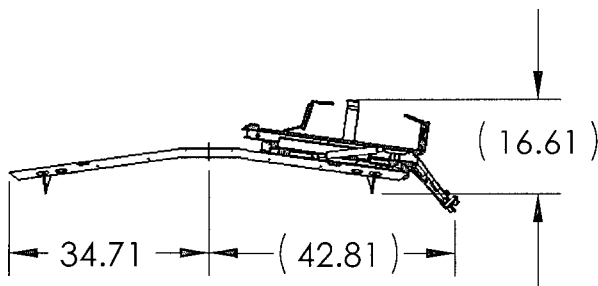
REVISION LEVEL
B

Part Number
LR6100WCF

FOR REFERENCE ONLY!



DETAIL A
SCALE 1 : 16



PRINTED DOCUMENT IS UNCONTROLLED

Sheet 1 of 1

THIS PRODUCT IS SUBJECT TO CHANGE.
ADRIAN STEEL COMPANY RESERVES THE RIGHT TO
CHANGE THE PRODUCT OF IT'S DESIGN WITHOUT
PRIOR NOTICE.

Shipping Wt (Lbs.).

THIS DRAWING IS THE PROPERTY OF ADRIAN STEEL COMPANY
AND IS NOT TO BE USED IN ANY MANNER DETRIMENTAL TO
THE INTERESTS OF ADRIAN STEEL COMPANY.

Coating/Finish

Do Not Scale This Drawing!

ADRIAN STEEL
VAN AND PICKUP EQUIPMENT
906 James St.
Adrian, MI 49221
517.265.6194

Part Description **LOADSRITE, SGL, W, CSF**

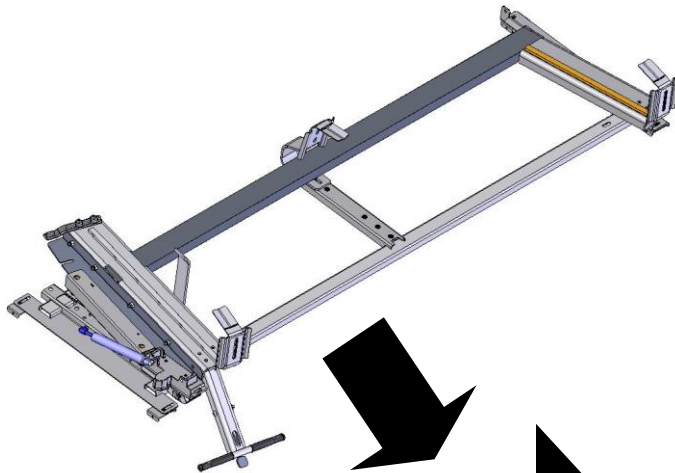
Part Number **LR6100WCF**

REVISION LEVEL **B**

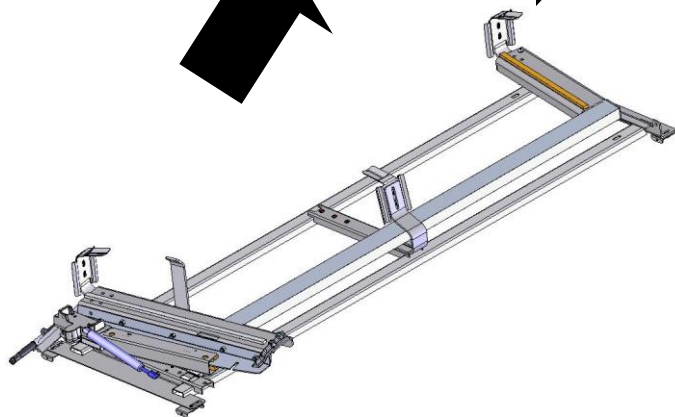
Assembly/Install Instructions

FOR USE WITH FULL SIZE VANS








LR-6200WCF, CURBSIDE MODULE



LOADSRITE MODULES ARE USED TO COMPLETE THE FOLLOWING SYSTEMS.



LR6200-WSF, STREETSIDE MODULE

LR6100WCF SINGLE RACK CURBSIDE INSTALLATION		SHIPPED IN 2 CARTONS
LR6100WSF SINGLE RACK STREETSIDE INSTALLATION		SHIPPED IN 2 CARTONS
LR6300WF DOUBLE RACK 1 EACH STREETSIDE & CURBSIDE		SHIPPED IN 3 CARTONS
LR6400WCF COMBO RACK WITH CURBSIDE LOADSRITE		SHIPPED IN 2 CARTONS
LR6400WSF COMBO RACK WITH STREETSIDE LOADSRITE		SHIPPED IN 2 CARTONS
LR6500WCF SHIPTHRU COMBO RACK WITH CURBSIDE LOADSRITE		SHIPPED IN 2 CARTONS
LR6500WSF SHIPTHRU COMBO RACK WITH STREETSIDE LOADSRITE		SHIPPED IN 2 CARTONS

ISSUE: K P.N.: 35190-0

CHK.BY:

REV.BY: BDS

DWG.BY: BTS

ECN- 21094

BEFORE YOU START



IMPORTANT NOTES PERTAINING TO USER AND/OR PRODUCT SAFETY ARE DENOTED BY A STOP SIGN AND THEY MUST BE FOLLOWED IN ORDER TO COMPLETE A SAFE ASSEMBLY AND INSTALLATION!



YOU WILL NEED THE FOLLOWING TOOLS IN ORDER TO COMPLETE THIS JOB.

<p>7/32" ALLEN WRENCH AND/OR 7/32" ALLEN SOCKET</p>	<p>9/16" OPEN END WRENCH</p>	<p>RATCHET WRENCH, WITH 9/16" SOCKET</p>
<p>Ft. Lb. TOURQUE WRENCH</p>	<p>WARNING: DO NOT USE IMPACT TOOLS FOR ASSEMBLY!</p>	



ALL FASTENERS USED IN THE ASSEMBLY AND INSTALLATION OF THIS PRODUCT SHOULD BE TIGHTENED TO A TORQUE OF 18 FT. LBS.

THE USE OF AIR OR ELECTRIC IMPACT TOOLS FOR THE ASSEMBLY OF FASTENERS IS NOT RECOMMENDED AND COULD CAUSE FASTENER FAILURE!

STEP - 01

Remove the hardware box from the carton and set it aside for later use. If you are assembling this LOADSRITE[®] for a ship thru application you will need to stow the hardware box inside the vehicle.

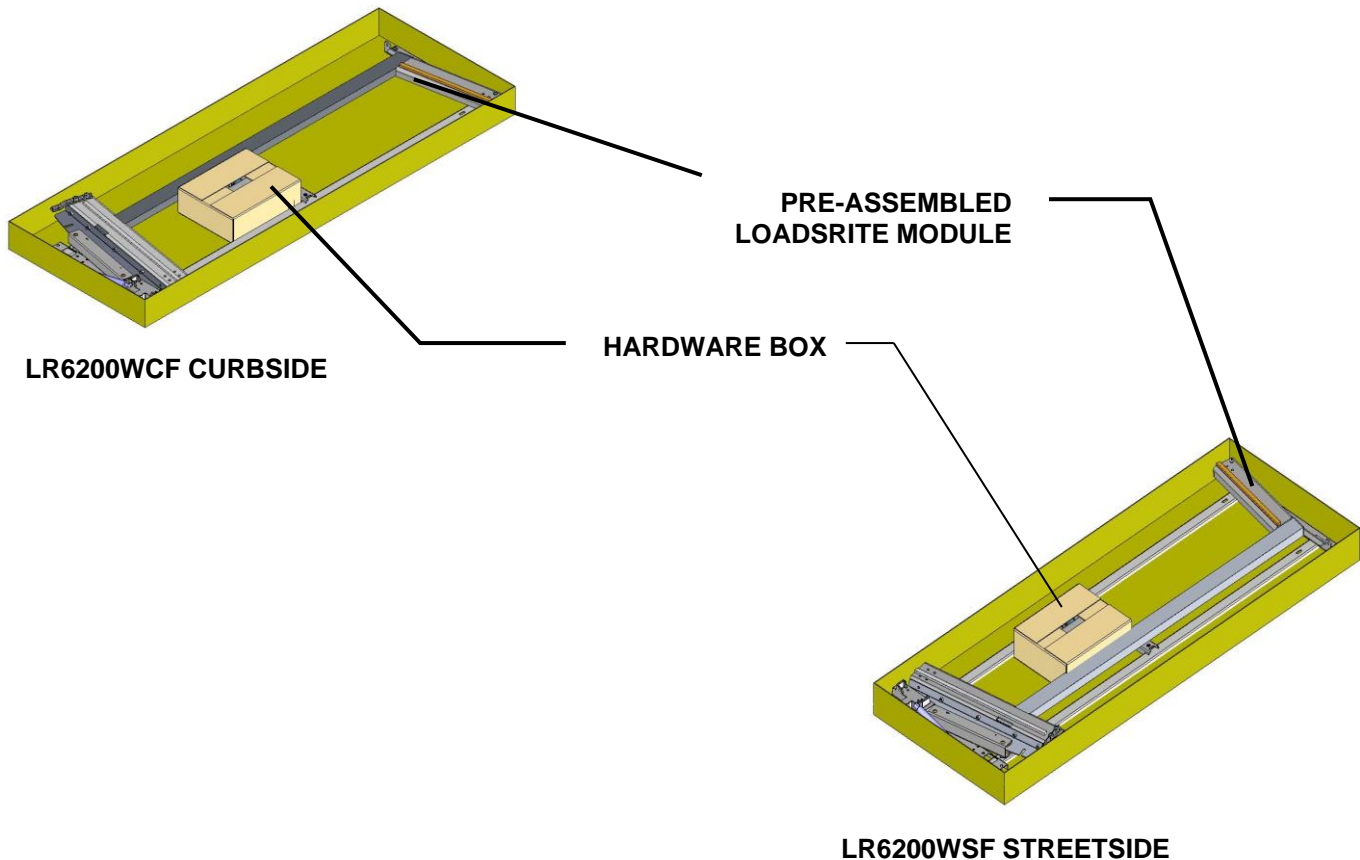
STEP - 02

REMOVAL OF LOADSRITE MODULE FROM CARTON

Remove the LOADSRITE[®] unit from the carton and place onto a smooth level work surface for assembly of the additional parts to complete the unit.




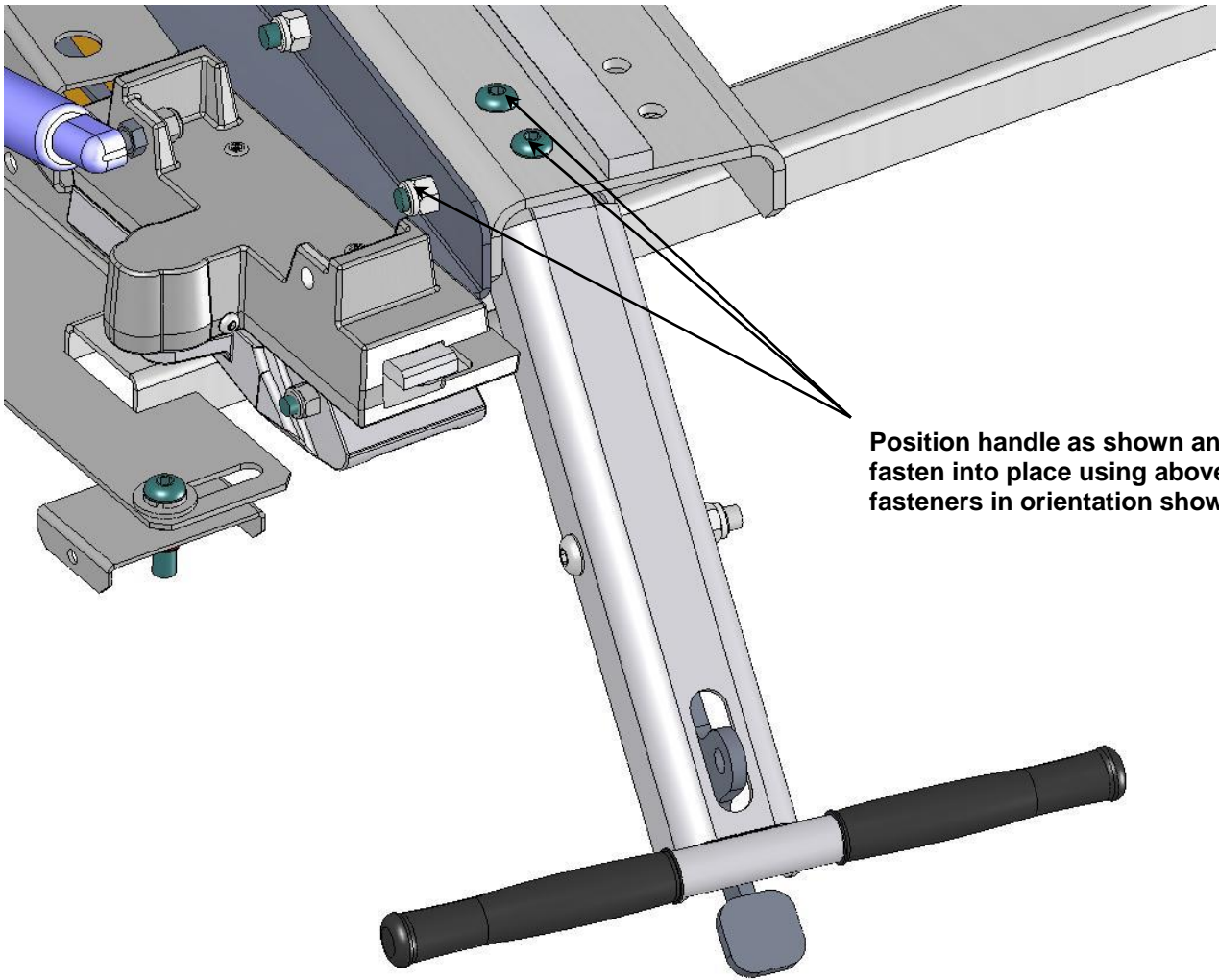
DO NOT remove the cable tie wraps from the base & bed assembly until after you have completed *step 03* of this assembly!



STEP - 03

HANDLE ASSEMBLY INSTALL FOR CURBSIDE
Remove the following parts from the hardware box and fastener bag.

 <p>FAS0572 3/8-16 x 1" BHCS (3) REQUIRED TORQUE TO 18ft. lbs.</p>	 <p>FAS0249 3/8-16 NUT NYLOCK (3) REQUIRED</p>	 <p>34769-W HANDLE ASM CRBSD (1) REQUIRED</p>
--	--	---






Position handle as shown and fasten into place using above fasteners in orientation shown

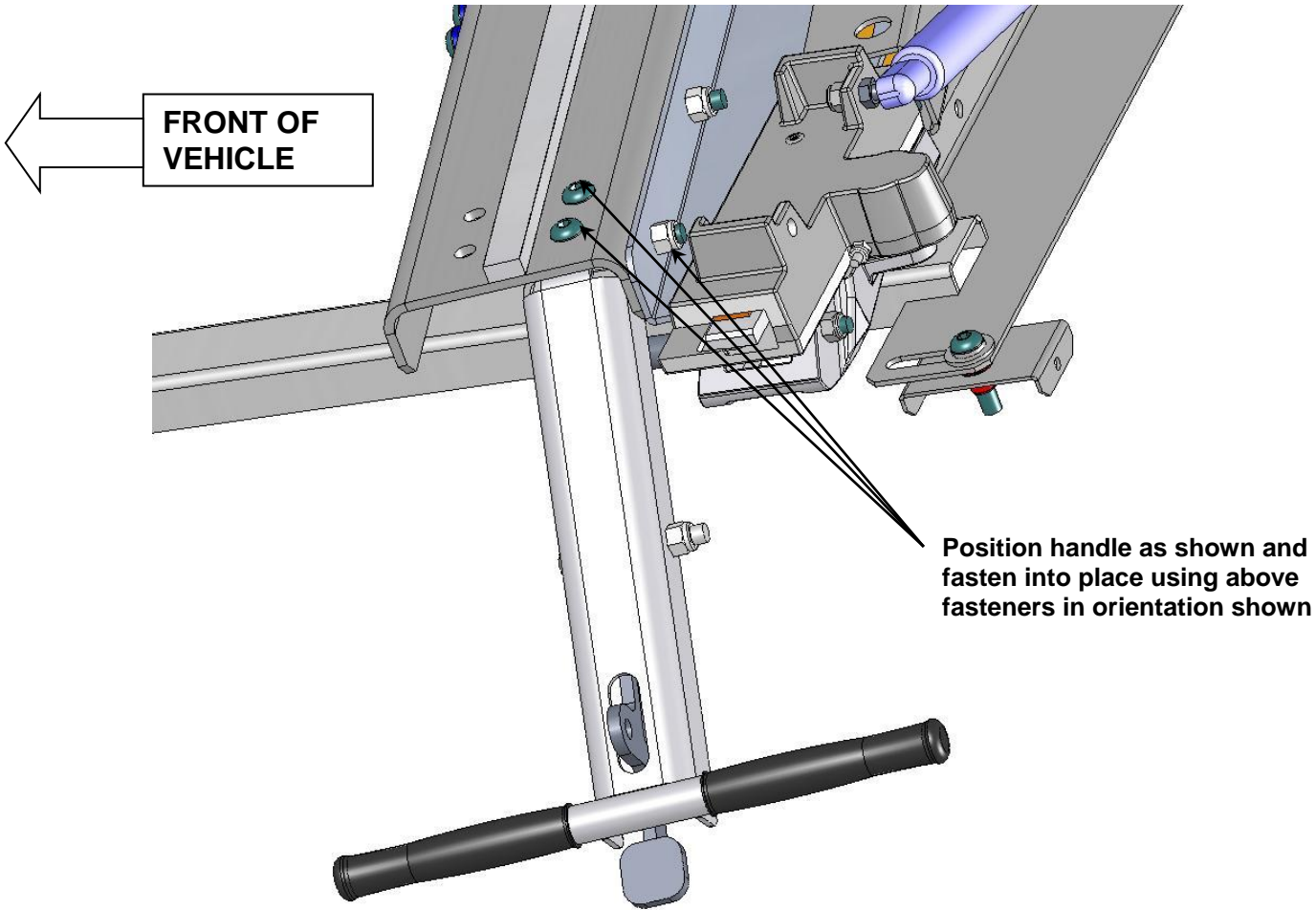


CHECK THE LATCH FOR PROPER OPERATION (LATCHING) BEFORE PROCEEDING! THE LATCH SHOULD SECURELY HOLD THE UNIT IN PLACE AND SHOULD RELEASE EASILY USING THE LATCH RELEASE LEVER.

STEP – 03a

HANDLE ASSEMBLY INSTALL FOR STREETSIDE
Remove the following parts from the hardware box and fastener bag.

 <p>FAS0572 3/8-16 x 1" BHCS (3) REQUIRED TORQUE TO 18ft. lbs.</p>	 <p>FAS0249 3/8-16 NUT NYLOCK (3) REQUIRED</p>	 <p>34769-W HANDLE ASM CRBSD (1) REQUIRED</p>
--	--	---









CHECK THE LATCH FOR PROPER OPERATION (LATCHING) BEFORE PROCEEDING! THE LATCH SHOULD SECURELY HOLD THE UNIT IN PLACE AND SHOULD RELEASE EASILY USING THE LATCH RELEASE LEVER.

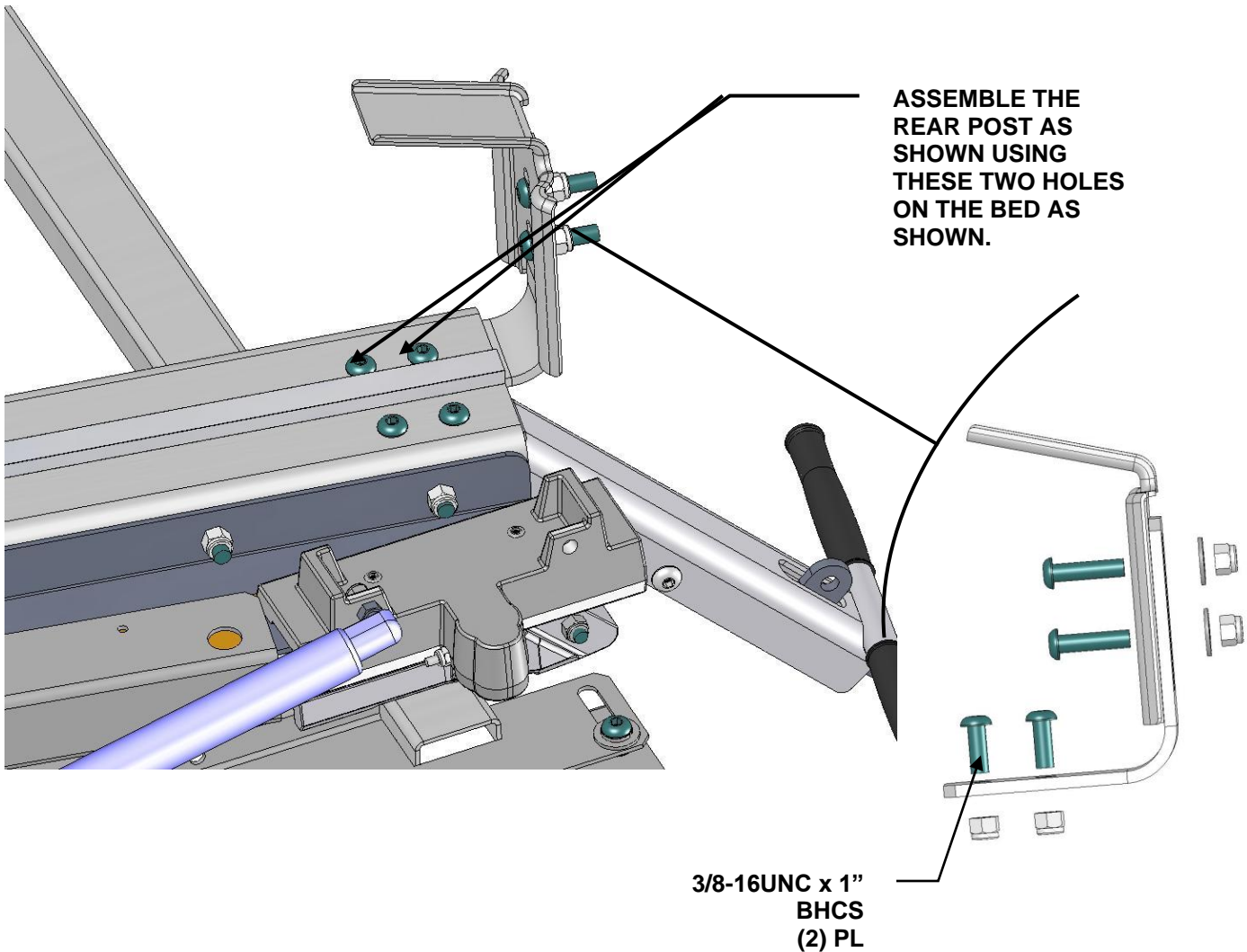
STEP - 04

REAR POST ASSEMBLY

Remove the following parts from the hardware box and fastener bag. Assemble the parts as shown. Curbside and streetside assembly are the same.

 <p>34766-W REAR POST (1) REQUIRED</p>	 <p>37518-0 UNIV CLAMP PAD (1) REQUIRED</p>	 <p>FAS0104 3/8" FLAT WASHER (2) REQUIRED</p>	 <p>FAS0577 3/8-16 x 1-1/2" BHCS (2) REQUIRED TORQUE TO 18ft. lbs.</p>	 <p>FAS0572 3/8-16 x 1" BHCS (2) REQUIRED TORQUE TO 18ft. lbs.</p>	 <p>FAS0249 3/8-16 NYLOCK NUT (4) REQUIRED TORQUE TO 18ft. lbs.</p>
--	---	---	--	--	---







CURBSIDE MODULE SHOWN



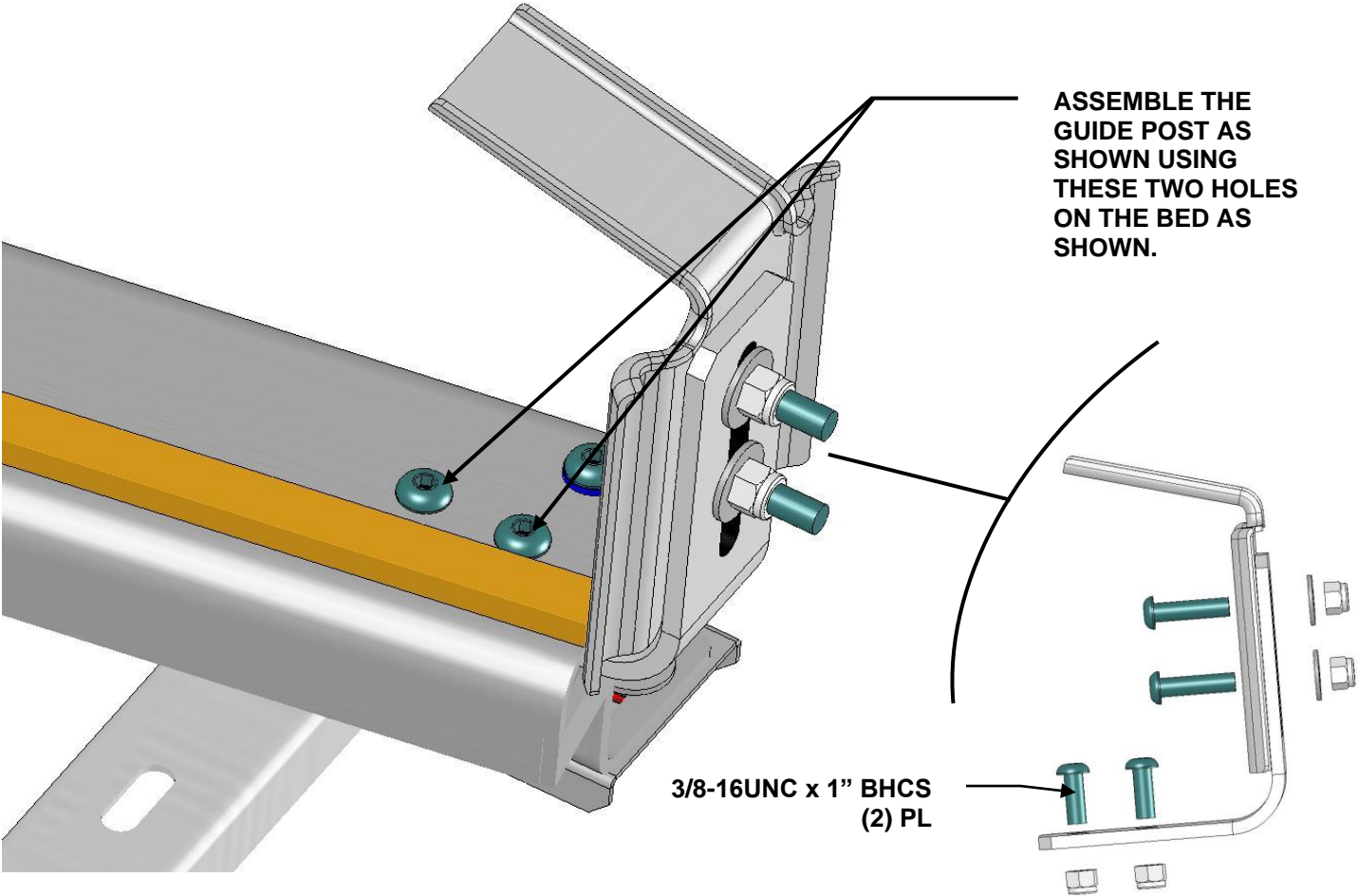
STEP - 05

GUIDE POST ASSEMBLY

Remove the following parts from the hardware box and fastener bag. Assemble the parts as shown. Curbside and streetside assembly the same.

 34766-W REAR POST (1) REQUIRED	 37518-0 UNIV CLAMP PAD (1) REQUIRED	 FAS0104 3/8" FLAT WASHER (2) REQUIRED	 FAS0577 3/8-16 x 1-1/2" BHCS (2) REQUIRED TORQUE TO 18ft. lbs.	 FAS0572 3/8-16 x 1" BHCS (2) REQUIRED TORQUE TO 18ft. lbs.	 FAS0249 3/8-16 NYLOCK NUT (4) REQUIRED TORQUE TO 18ft. lbs.
--	---	---	--	--	---




CURBSIDE MODULE SHOWN



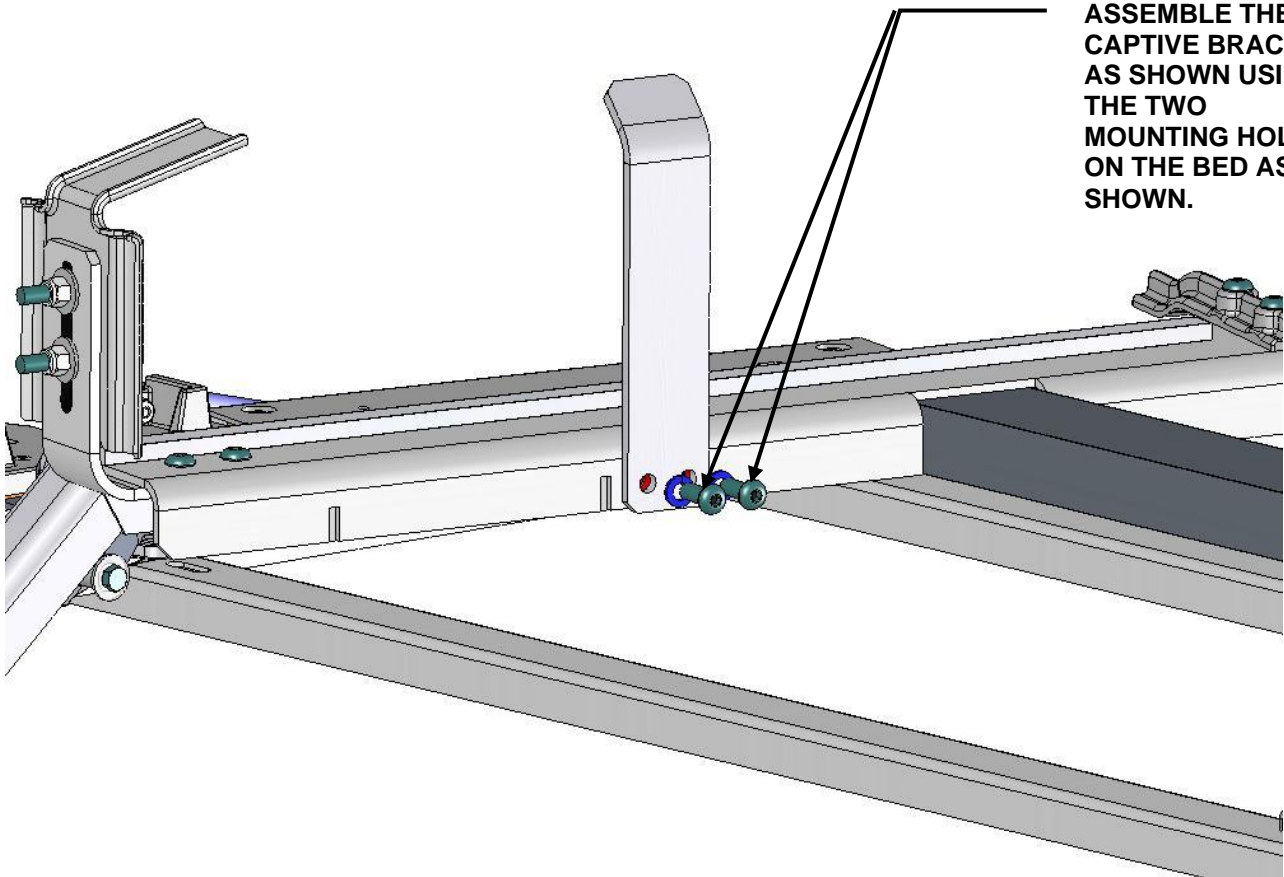
STEP – 06

CAPTIVE BRACKET ASSEMBLY

Remove the following parts from the hardware box and fastener bag. Assemble the parts as shown. Curbside and streetside assembly the same.

 <p>37519-0 CAPTIVE BRACKET (1) REQUIRED</p>	 <p>FAS0575 3/8" SPLIT LOCKWASHER (2) REQUIRED</p>	 <p>FAS0572 3/8-16 x 1" BHCs (2) REQUIRED TORQUE TO 18ft. lbs.</p>
--	---	--







CURBSIDE MODULE SHOWN



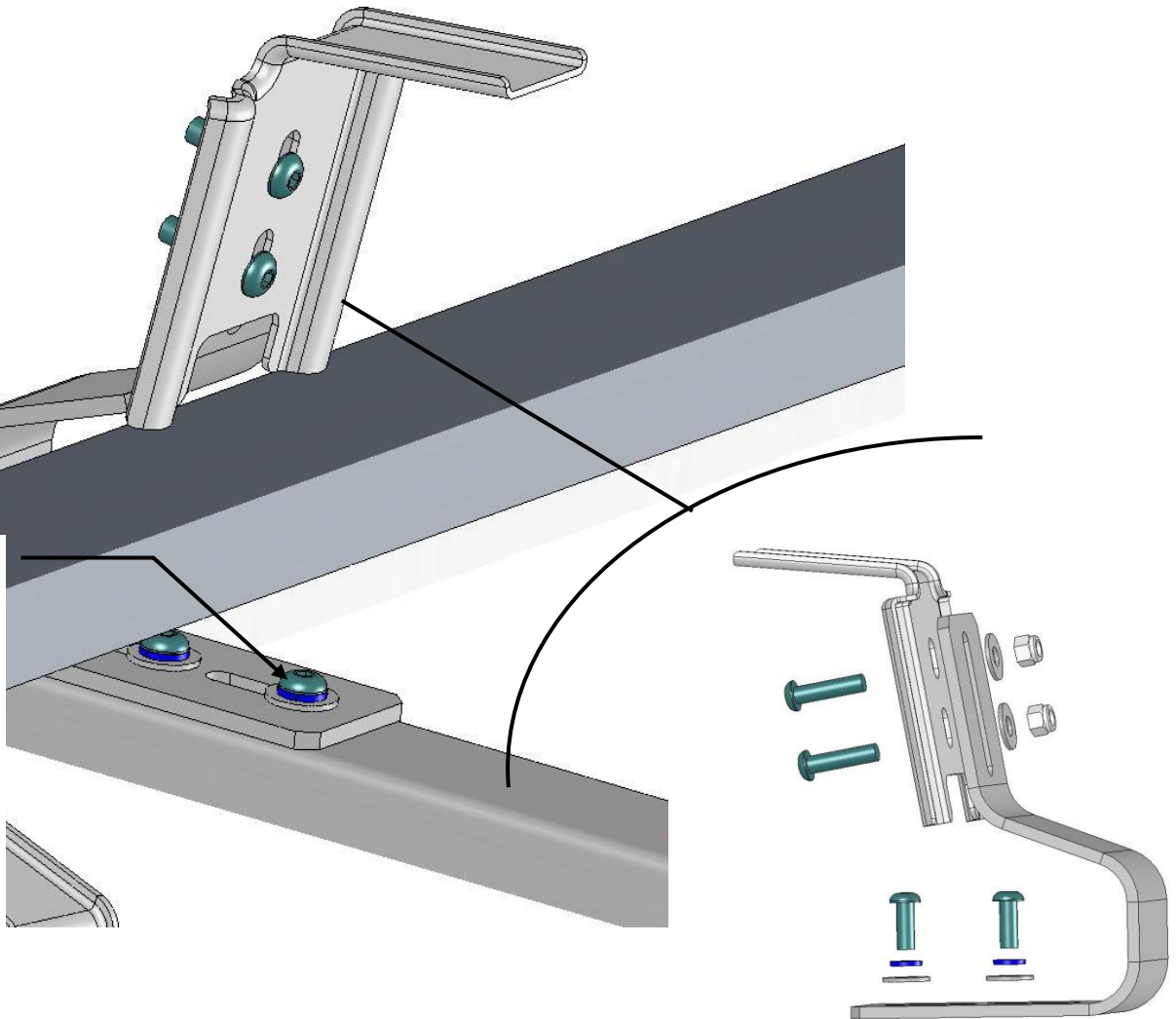
STEP - 07

BASE CLAMP ASSEMBLY

Remove the following parts from the hardware box and fastener bag. Assemble the parts as shown. Curbside and streetside assembly the same.

 <p>29692-0 BASE CLAMP MOUNT W/3 SLOTS (1) REQUIRED</p>	 <p>37518-0 UNIV CLAMP PAD (1) REQUIRED</p>	 <p>FAS0104 3/8" FLAT WASHER (4) REQUIRED</p>	 <p>FAS0577 3/8-16 x 1-1/2" BHCS (4) REQUIRED TORQUE TO 18ft. lbs.</p>	 <p>FAS0249 3/8-16 NYLOCK NUT (2) REQUIRED TORQUE TO 18ft. lbs.</p>	 <p>FAS0575 3/8" SPLIT LOCK WASHER (2) REQUIRED</p>
--	--	--	---	--	--

ASSEMBLE THE BASE CLAMP AS SHOWN USING EITHER TWO MOUNTING HOLES OF THE THREE, ON THE BASE AS SHOWN. TWO SETS OF HOLES ARE PROVIDED AS WELL AS 3 SLOTS TO ALLOW FOR ADJUSTMENT FOR WIDER LADDERS.








STEP – 08

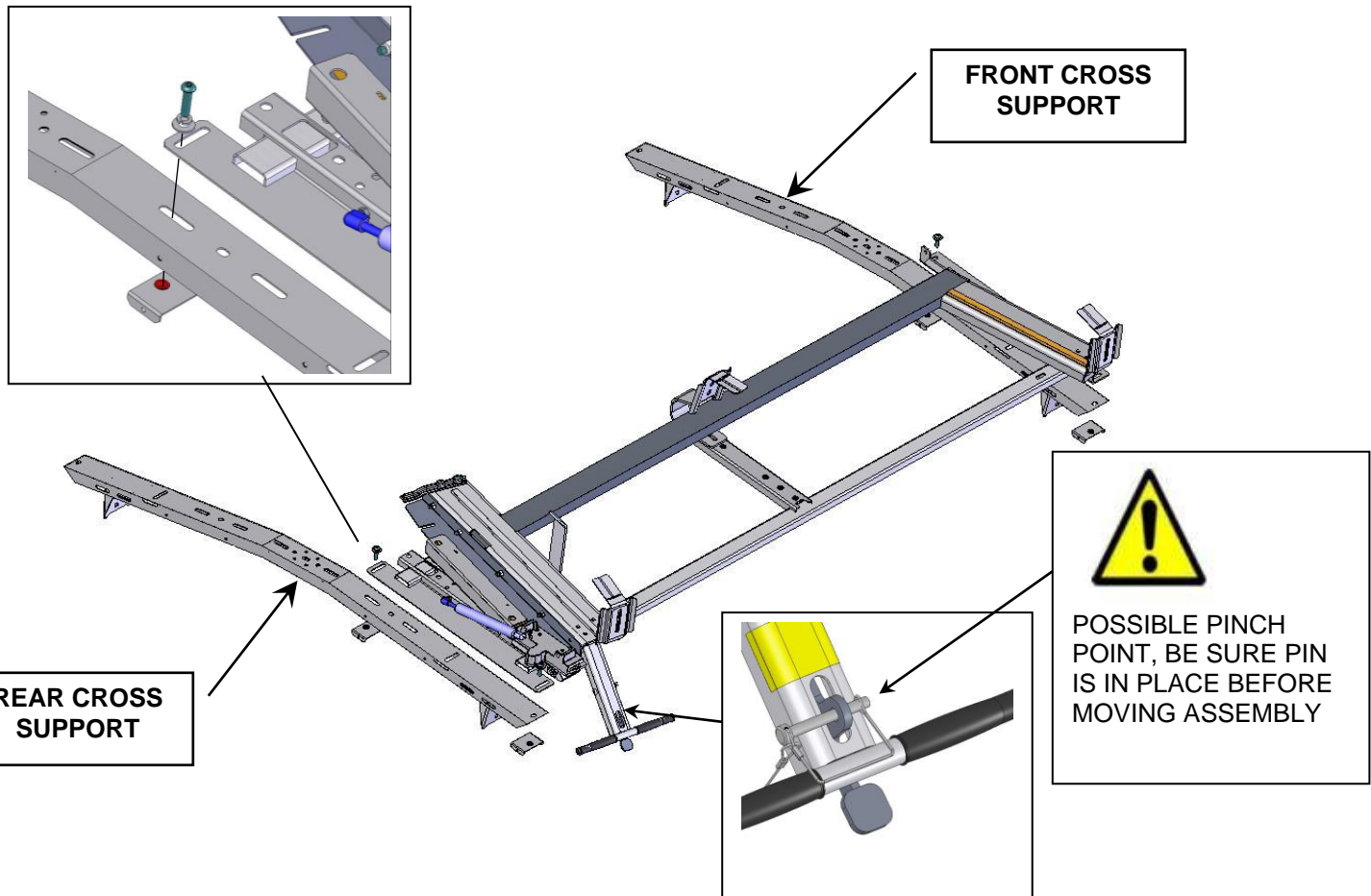
INSTALLATION OF COMPLETED LOADSRITE ASSEMBLY

Mount the Loadsrite onto the Cross Supports, or 60 series Ladder rack. If you have a 60 series Ladder Rack you will need to remove the outer rail, inner rail and any other parts that are installed on the side of the 60 series ladder rack that you are going to install the Loadsrite unit on. Both the cross supports and the 60 series ladder rack should already be installed on to your vehicle. See the instructions that came with these items for proper assembly and installation.

Mount your LoadsRite onto the Cross Supports that should be already installed on your van as shown below using fasteners indicated. Note: Cross Supports should be 7' on center.

Once the ladder rack is completely installed on to the Cross Supports, and is ready for transport make sure to attach the Latch Lanyard as shown below

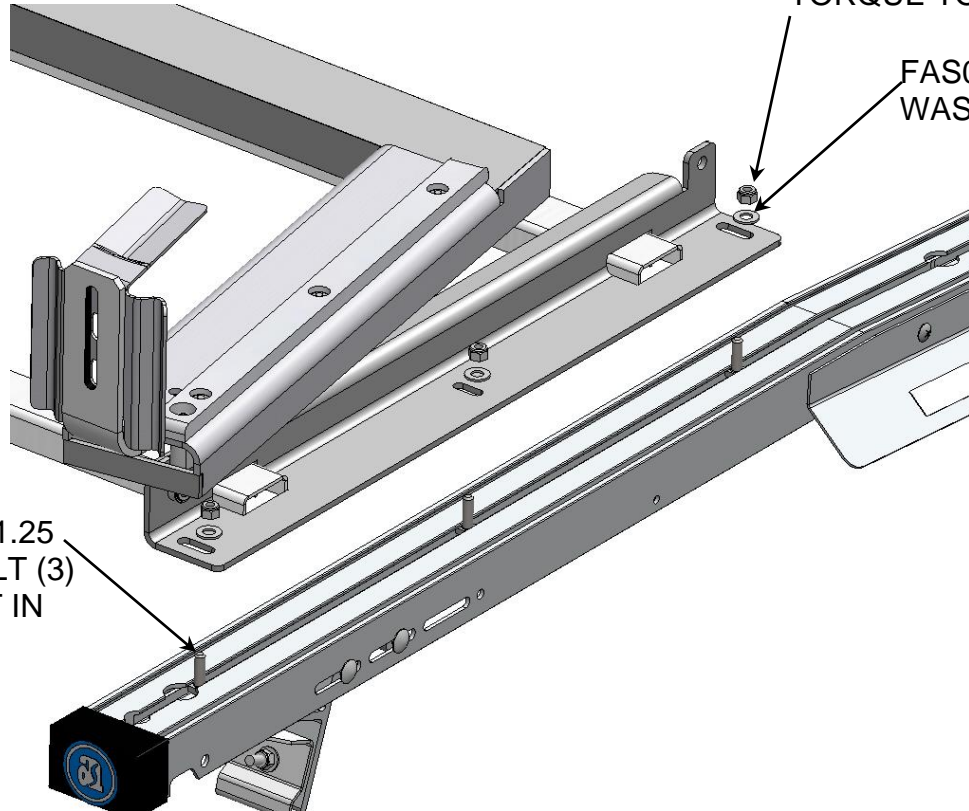
 <p>28494-0 ANCHOR PLATE (4) REQUIRED</p>	 <p>FAS0104 3/8" FLAT WASHER (4) REQUIRED</p>	 <p>FAS0577 3/8-16 x 1-1/2" BHCS (4) REQUIRED TORQUE TO 18ft. lbs.</p>	 <p>FAS0575 3/8" SPLIT LOCK WASHER (4) REQUIRED</p>	 <p>34753-0 LATCH LANYARD ASSEMBLY (1) REQUIRED</p>
---	---	--	---	--



INSTALLING LOADSRITE UNIT ON EZ LOAD LADDER RACK.
REQUIRES FASTENER BAG BAGLR64EZ.

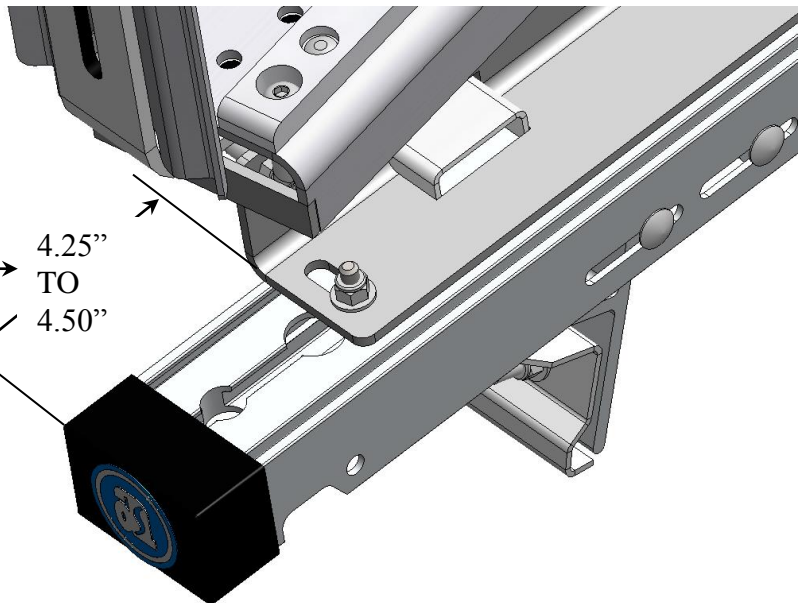
FAS0248 5/16-18
LOCKNUT (3)
TORQUE TO 12 FT LBS

FAS0552 5/16
WASHER (3)



FAS0035 5/16-18X 1.25
SQUARE HEAD BOLT (3)
SLIDE INTO T-SLOT IN
BOW AS SHOWN.

FOR FULL SIZE, LOW ROOF
FORD TRANSIT APPLICATIONS,
THIS DIMENSION TO BE 2.38".
ALSO, FOR ALL APPLICATIONS,
CHECK CLEARANCE OF HANDLE
TO SLIDING SIDE DOOR.



WARNING

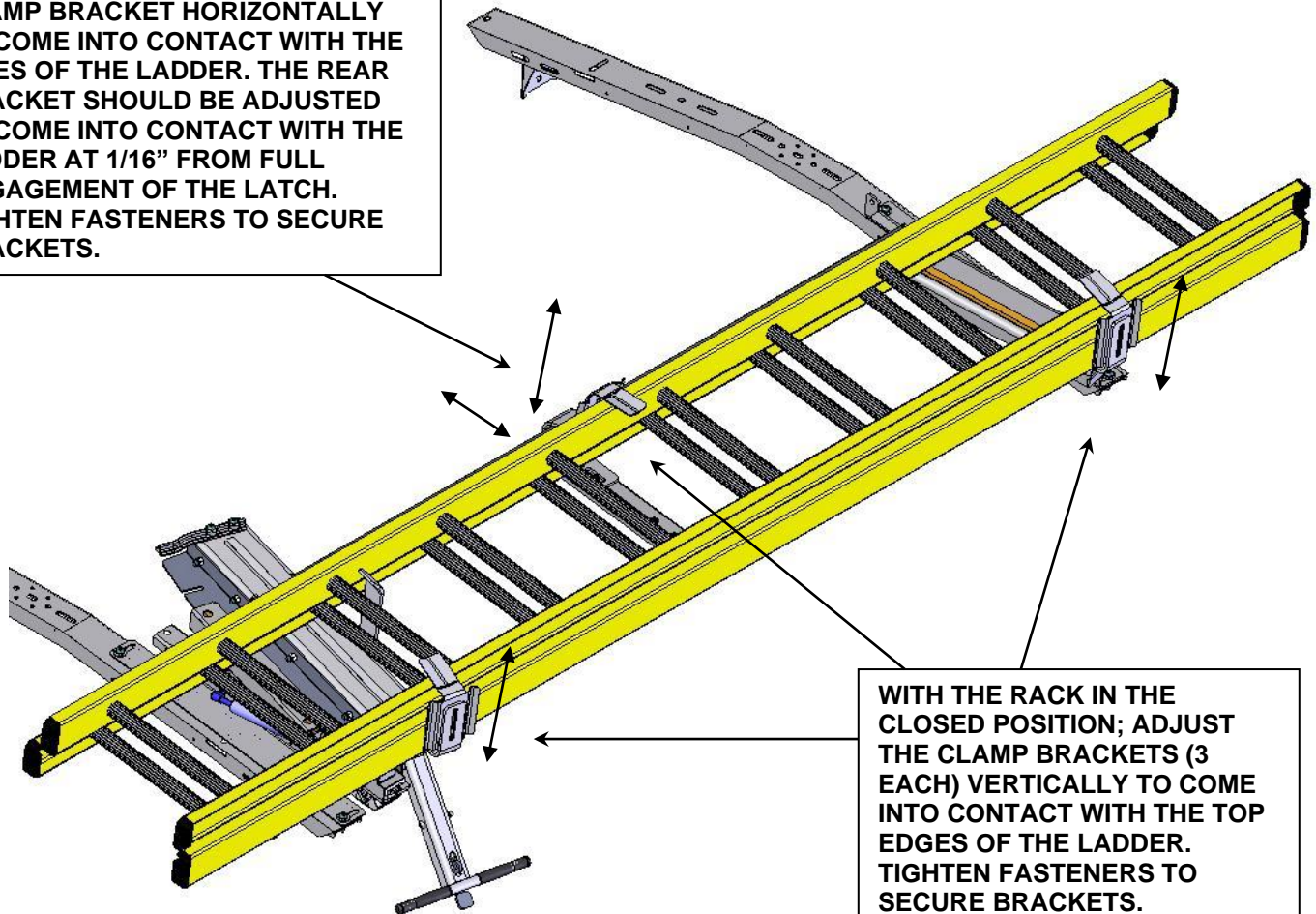
This Product Requires Final Adjustment Prior to Use!

The end user must perform the following adjustments to ensure proper function and safe operation of this product!

FAILURE TO COMPLETE THESE FINAL ADJUSTMENTS COULD VOID YOUR WARRANTY!

ADJUST THE THREE (3) CLAMP BRACKETS TO FIT YOUR LADDER. PLACE THE LADDER ONTO THE RACK AND ADJUST EACH BRACKET AS SHOWN BELOW.

WITH THE RACK IN THE CLOSED POSITION; ADJUST THE REAR CLAMP BRACKET HORIZONTALLY TO COME INTO CONTACT WITH THE SIDES OF THE LADDER. THE REAR BRACKET SHOULD BE ADJUSTED TO COME INTO CONTACT WITH THE LADDER AT 1/16" FROM FULL ENGAGEMENT OF THE LATCH. TIGHTEN FASTENERS TO SECURE BRACKETS.



WITH THE RACK IN THE CLOSED POSITION; ADJUST THE CLAMP BRACKETS (3 EACH) VERTICALLY TO COME INTO CONTACT WITH THE TOP EDGES OF THE LADDER. TIGHTEN FASTENERS TO SECURE BRACKETS.

ONCE YOU HAVE COMPLETED THE ADJUSTMENTS; TEST THE OPERATION OF THE RACK. IF THE LATCHING/UNLATCHING OF THE RACK IS DIFFICULT THEN YOU SHOULD RE-CHECK THE BRACKETS TO ENSURE CORRECT ADJUSTMENT. YOUR LADDER RACK IS NOW READY FOR USE



THIS COMPLETE INSTRUCTION MANUAL MUST BE PRESENTED TO THE END USER WHEN DELIVERING THE INSTALLED PRODUCT!

It is advised that “All Fasteners” used in the assembly and installation of this Ladder Rack System be “checked for tightness” at the following intervals:

**At 2 Weeks of Operation.
and again
At 6 Weeks of Operation.**

Assembly “fasteners could loosen” due to vibration through your vehicle while on the road or in and out of construction sites.

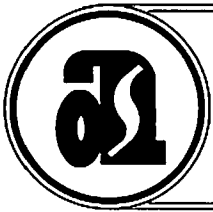
Drip rail clamps could loosen due to Ladder Rack Feet settling into the grouting that the O.E.M. puts into the drip rail as a seal.

This preventative maintenance step must be completed to ensure your Ladder Rack System gives you long service life.

Failure to complete this required safety inspection at prescribed intervals “could” void your product warranty.



THIS COMPLETE INSTRUCTION MANUAL MUST BE PRESENTED TO THE END USER WHEN DELIVERING THE INSTALLED PRODUCT!

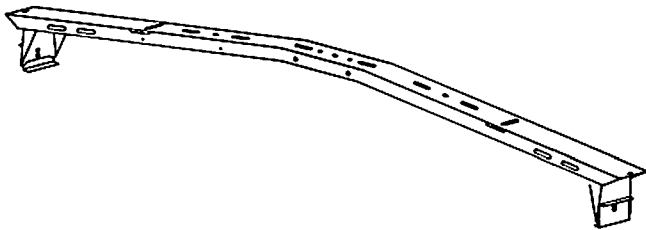
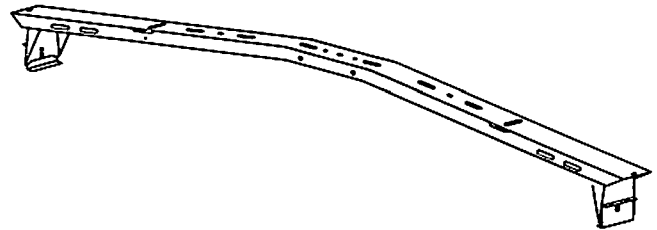


CROSS SUPPORT KIT
FORD & GM FULL SIZE VAN

INSTRUCTIONS

* ASSEMBLY & INSTALLATION *

28565-W KIT WHITE
28565-B KIT BLACK



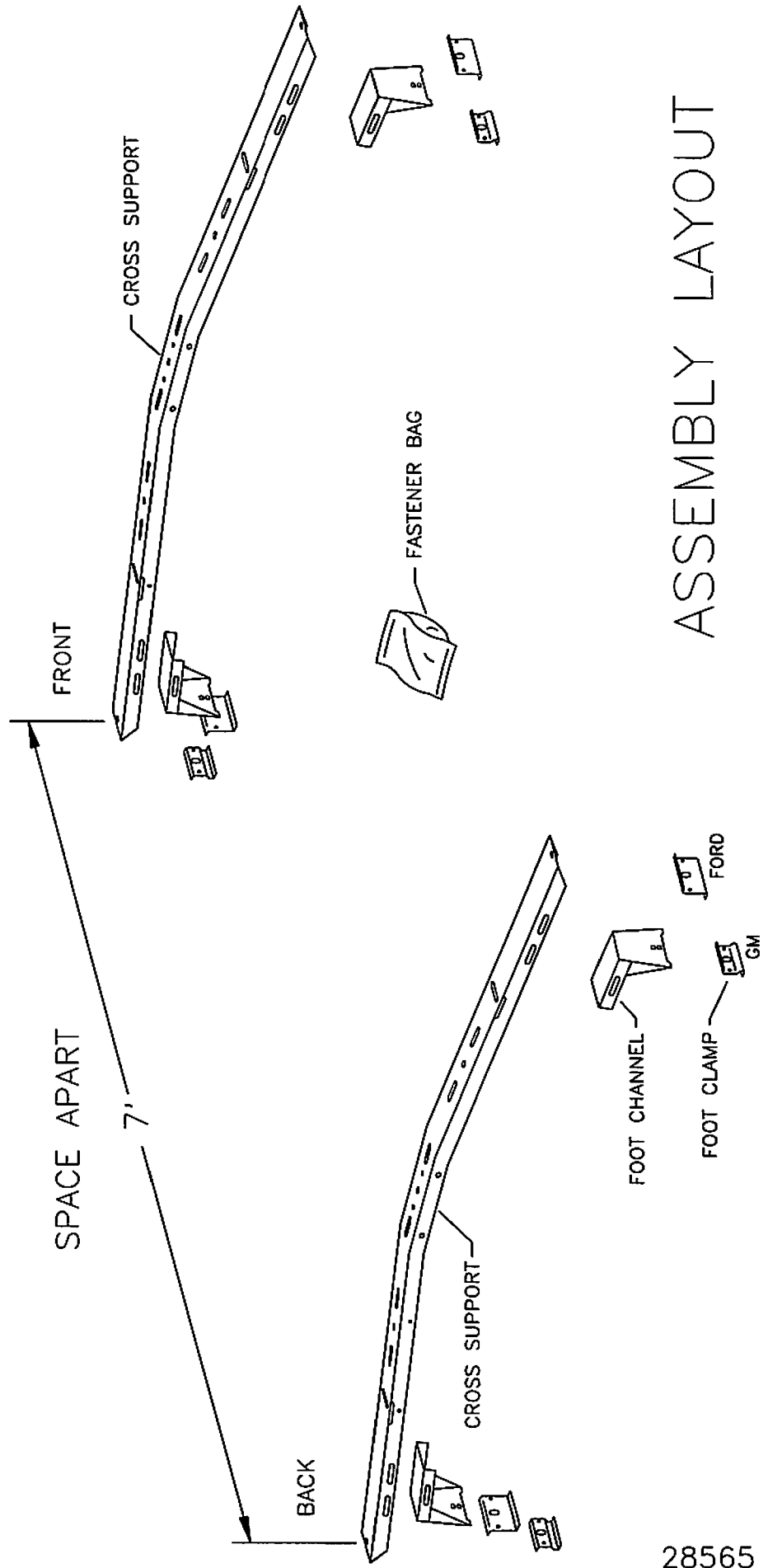
NOTE TO INSTALLER:

* THESE INSTRUCTIONS MUST BE SENT WITH THE LADDER RACK TO THE END USER ! *

BEFORE YOU BEGIN:

REFER TO THE COVER PAGE (PAGE-1), ASSEMBLY LAYOUT (PAGE-2), PARTS LIST (PAGE-3), & FASTENER TEMPLATE (PAGE-4) TO PROPERLY IDENTIFY THE PARTS IN THE BOX FOR YOUR LADDER RACK.

* PLEASE READ THROUGH & FOLLOW EACH STEP CAREFULLY TO EASE THE ASSEMBLY & INSTALLATION OF YOUR LADDER RACK. * IF YOU HAVE ANY QUESTIONS OR COMMENTS PLEASE CONTACT THE DEALER YOU PURCHASED YOUR LADDER RACK FROM OR CALL US AT ADRIAN STEEL Co. (800) 677-2726 . THANK YOU FOR CHOOSING THE ADRIAN STEEL Co. "GRIP LOCK" LADDER RACK !

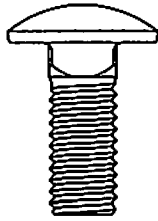


ASSEMBLY LAYOUT

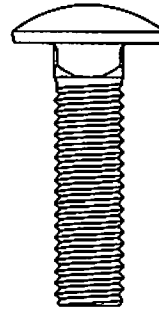
PARTS LIST

CROSS SUPPORT KIT		FULL SIZE VAN	P/N	28565
DESCRIPTION	QUANTITY	PART No.		
FASTENER BAG (CROSS SUPPORT KIT - FSV)	1	BAGLR029-0		
FOOT CLAMP - FORD	4	11427-0		
FOOT CHANNEL (4-3/8" TALL)	4	16024-0		
FOOT CLAMP - GM	4	22856-0		
CROSS SUPPORT (70" LONG - FSV)	2	25335-0		

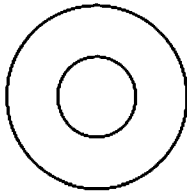
FASTENER TEMPLATE



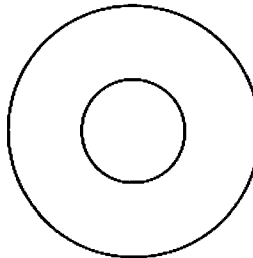
1" CARRIAGE BOLT
P/N FAS0102
(TYPICAL ASSEMBLY)



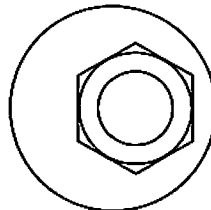
1-1/2" CARRIAGE BOLT
P/N FAS0117
(FOOT CLAMP)



3/8" WASHER
P/N FAS0104
(TYPICAL ASSEMBLY)



1/2" FLAT WASHER
P/N FAS0139
(FOOT CLAMP)



CAM NUT
P/N 07466-0
(FOOT CLAMP)



3/8" LOCK NUT
P/N FAS0110
(ASSEMBLY/INSTALLATION)

ASSEMBLY

PAGE 5

TOOLS NEEDED:

9/16 WRENCH or 9/16 DEEPWELL SOCKET with RATCHET

5/8 WRENCH (OPEN END)

TAPE MEASURE

* USE THE "ASSEMBLY LAYOUT" ON PAGE-2 AS A GUIDE TO HELP IDENTIFY AND PLACE PARTS THROUGHOUT THE ASSEMBLY.

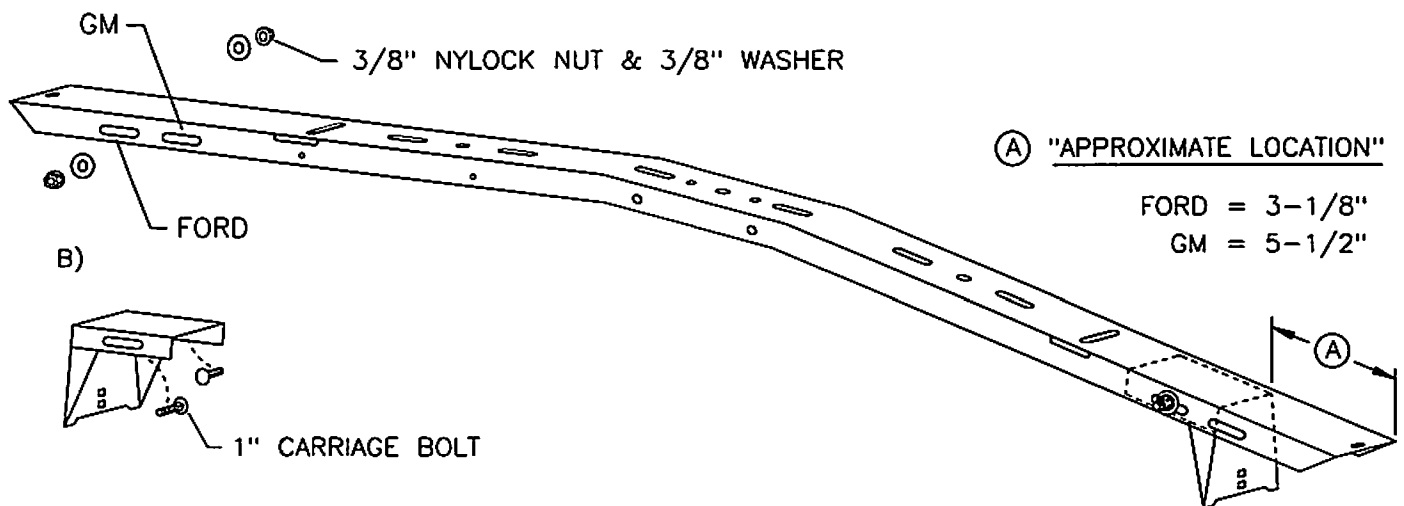
STEP-1 (TOOLS: 9/16 wrench or deepwell socket & ratchet, tape measure.)

A) Layout both CROSS SUPPORTS approximately 7 feet apart & insert the FOOT CHANNELS into them.

B) Next attach the FOOT CHANNELS using 1" CARRIAGE BOLT, 3/8" WASHER, & 3/8" NYLOCK NUT for each slot in the FOOT CHANNELS. SEE ILLUSTRATION BELOW.

* REFER TO THE "FASTENER TEMPLATE" ON PAGE-4 TO MATCH UP FASTENERS.

"DO NOT TIGHTEN FASTENERS YET TO ALLOW FOR FINAL ADJUSTMENT AT INSTALLATION !"



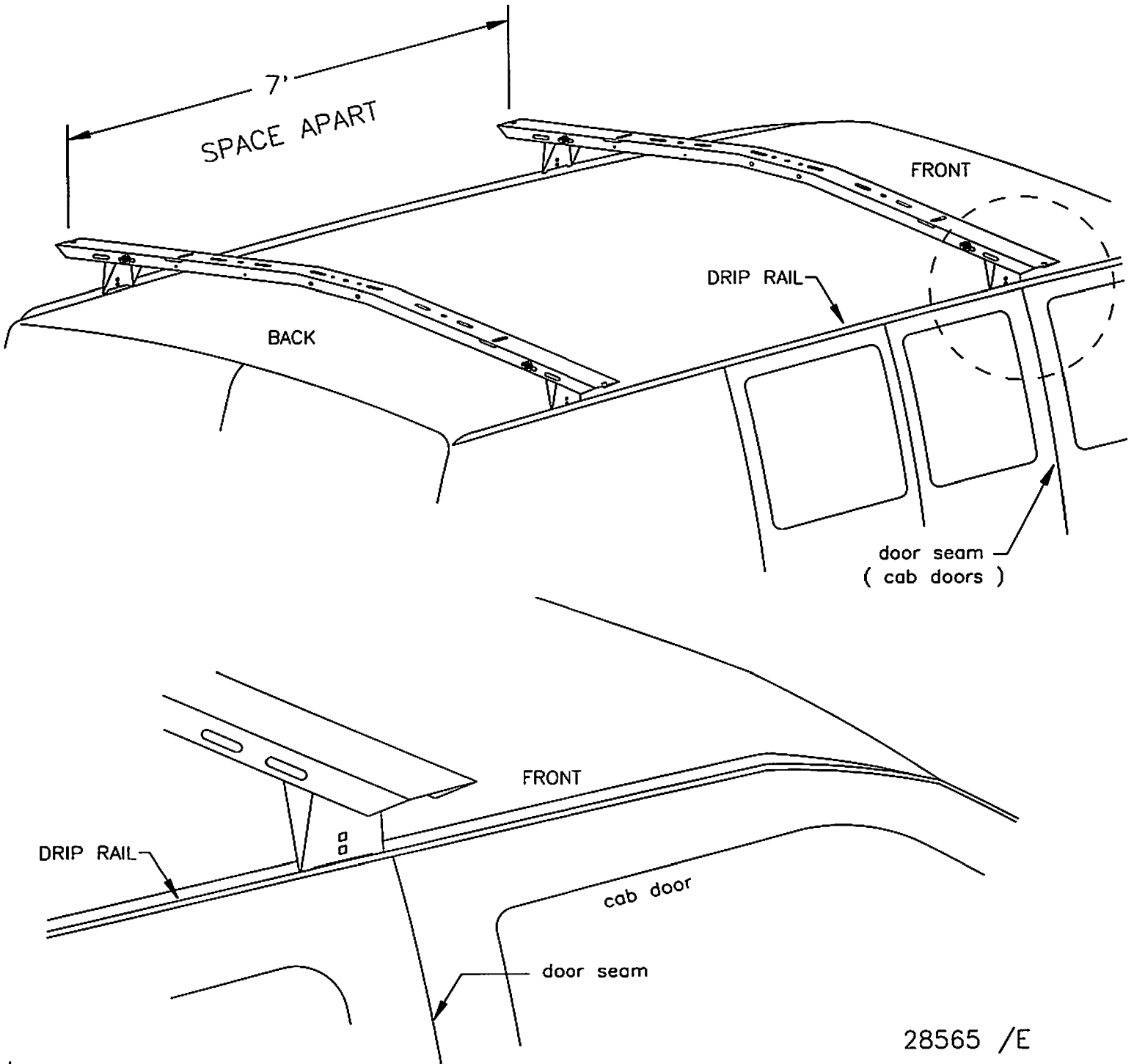
NOTE: THE FINAL ADJUSTMENT SHOULD BE MADE DURING INSTALLATION (PAGE-7), THE FOOT CHANNELS SHOULD BE EVEN DISTANCES FROM EACH END OF THE CROSS SUPPORT TO CENTER THE LADDER RACK ON TOP OF THE VAN.

28565 /E

ASSEMBLY

STEP-2

- A) Set the CROSS SUPPORTS on top of the van locating the front CROSS SUPPORT at the back edge of the cab door seam as shown below and then locating the back CROSS SUPPORT 7' behind the front CROSS SUPPORT.
- B) Now center each CROSS SUPPORT side to side to center them on top of the van.



INSTALLATION

STEP-3 (TOOLS: 9/16 wrench or deepwell socket with ratchet, 5/8 open end wrench.)

A) Insert a 1-1/2" CARRIAGE BOLT through the upper hole from behind the FOOT CHANNEL.
SEE ILLUSTRATION BELOW.

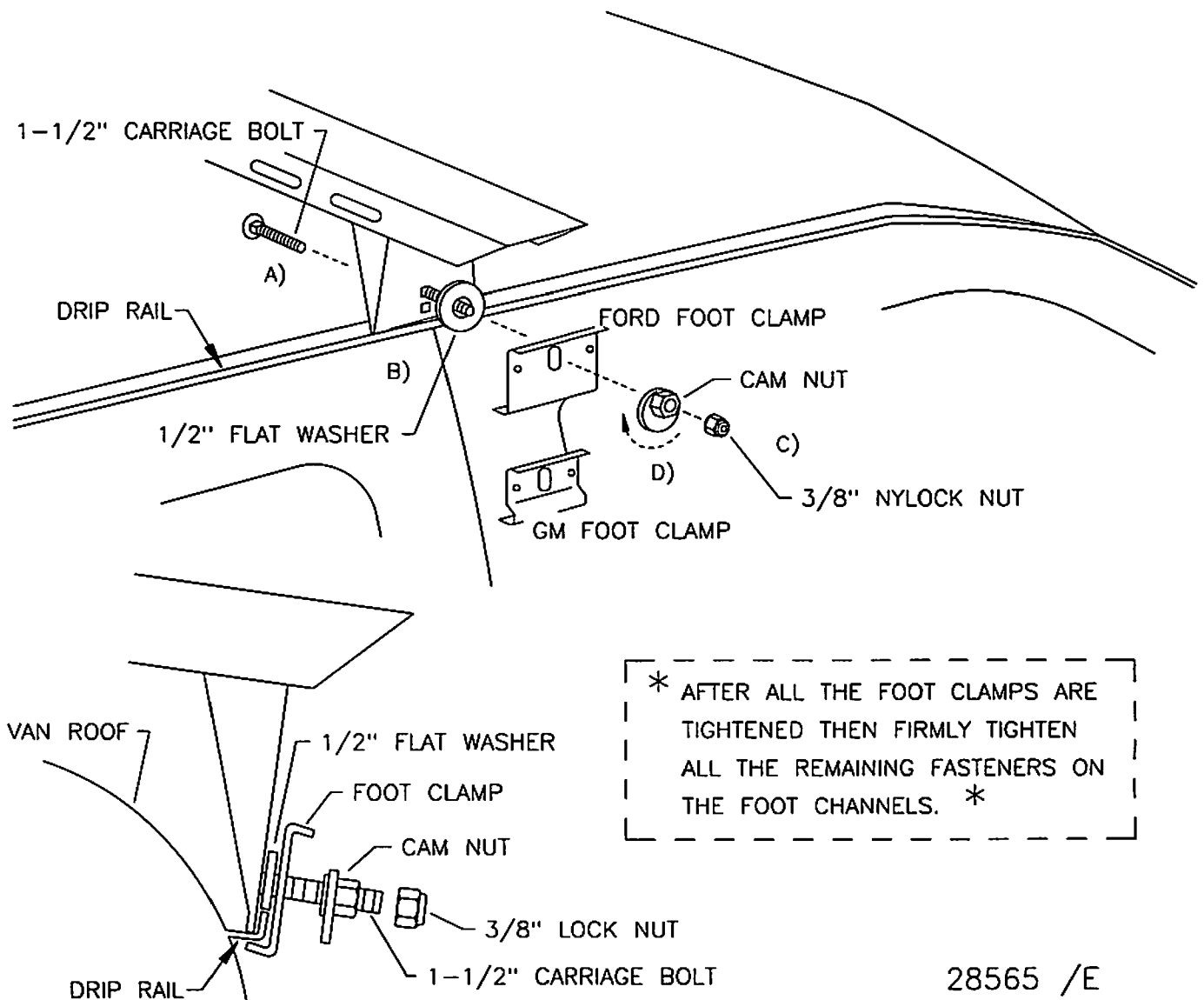
* REFER TO THE "FASTENER TEMPLATE" ON PAGE-4 TO MATCH UP FASTENERS.

B) Next slide a 1/2" FLAT WASHER over the 1-1/2" CARRIAGE BOLT then attach a FOOT CLAMP.
** NOTE: Be sure the bottom lip of the foot clamp grips under the drip rail. **

C) Now slide a CAM NUT over the 1-1/2" CARRIAGE BOLT and snug it against the FOOT CLAMP with a 3/8" LOCK NUT. ** NOTE: Be sure the CAM NUT is flat against the FOOT CLAMP. **

D) Loosen the 3/8" LOCK NUT 1/4 of a turn and use the 5/8 open wrench to rotate the CAM NUT clockwise to tighten the FOOT CLAMP against the drip rail. Now FIRMLY TIGHTEN the 3/8" LOCK NUT. REPEAT THESE STEPS FOR THE REMAINING FOOT CLAMPS.

NOW THIS INSTALLATION IS COMPLETE !



* AFTER ALL THE FOOT CLAMPS ARE TIGHTENED THEN FIRMLY TIGHTEN ALL THE REMAINING FASTENERS ON THE FOOT CHANNELS. *



ADRIAN STEEL

906 JAMES ST.
ADRIAN, MI. 49221
(517) 265-6194

ATTENTION ! !

LADDER RACK PURCHASER

It is advised that “ all fasteners “ that assemble and install your Ladder Rack is “ checked for tightness “ at 2 weeks of operation and then rechecked again at 6 weeks of operation.

Assembly “ fasteners could loosen “ due to vibration through your vehicle while on the road or in and out of construction sites.

“ Drip rail Clamps could loosen “ due to the Ladder Rack Feet settling into the grouting that the O.E.M. puts into the drip rail as a seal.

This is a preventative maintenance step to insure your Ladder Rack gives you a long service life.

**** INSTALLER: Please present this statement to the End User when delivering the installed product !**