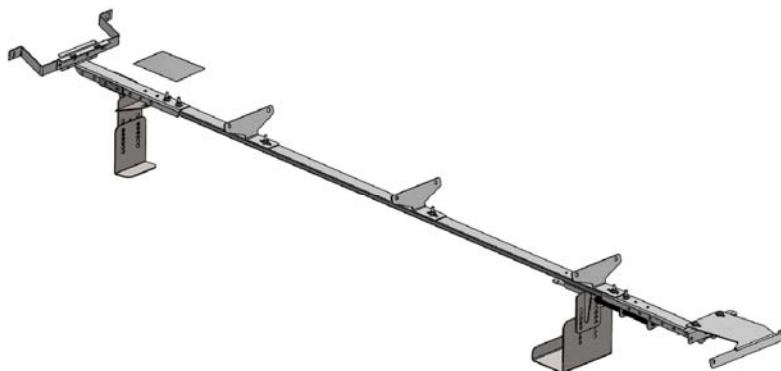




LK8PM159 Ldr Kpr, 159 WB ProMaster



PRODUCT WEIGHT

29 LBS

WIDTH x DEPTH x HEIGHT

17" x 103" x 10"

CAPACITY

ONE 8' STEP LADDER

COLOR

GRAY/YELLOW

CATALOG NUMBER

LK8PM159

PRODUCT FEATURES

LADDER KEEPER FOR CARRYING STEP LADDERS SUSPENDED FROM THE CEILING INSIDE A VAN OR TRAILER. THIS UNIT IS DESIGNED FOR THE 159" WHEELBASE PROMASTER VAN. HOLES NEED TO BE DRILLED AND PLUSNUTS SET IN ORDER TO INSTALL THIS UNIT.

SEE INSTRUCTIONS.

SEE PAGE 2 FOR APPLICATION NOTES AND ACCESSORIES, OTHER PRODUCTS THAT WORK WITH THIS UNIT.

PAGE 1 of 2

The information contained in this document is the sole property of ADRIAN STEEL COMPANY. ADRIAN STEEL COMPANY retains the right to modify and/or change the product of its design at any time without prior notification.



CATALOG NUMBER LK8PM159

PRODUCT APPLICATION

This product is designed to be installed IN 159" WHEELBASE, DODGE PROMASTER VANS

ACCESSORIES THAT WILL WORK WITH THIS PRODUCT

CATALOG NUMBER

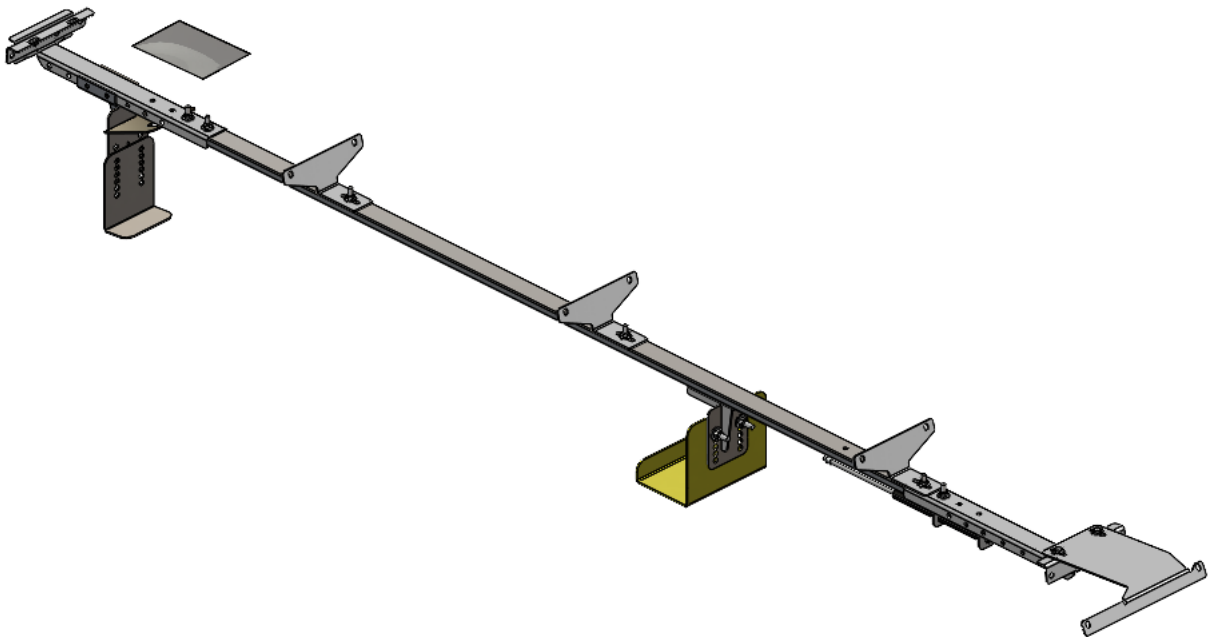
DESCRIPTION

N/A

SPECIAL APPLICATION NOTES



Assembly/Installation Instructions and Owners Manual



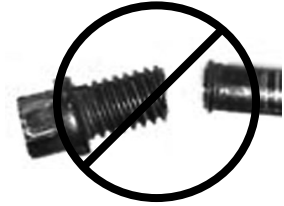
(LK8PM136 SHOWN)

LADDER KEEPER LK8PM136 & LK8PM159 FOR RAM PROMASTER VANS

- PRECAUTIONS -





 **CAUTION** 
**THE USE AIR IMPACT TOOLS CAN
OVER-TORQUE FASTENERS AND
CAUSE FASTENER FAILURE!**



 **CAUTION** 
**ALL INSTALLATION HOLES SHOULD BE SEALED
WITH SILICON OR BUTYL SEALANT TO PREVENT
EXHAUST FUMES FROM ENTERING THE VEHICLE!**



 **DANGER** 
**INSPECT FOR FUEL TANK, FUEL LINES, BRAKE LINES, HIGH
VOLTAGE BATTERIES AND ELECTRICAL LINES PRIOR TO
DRILLING TO AVOID DAMAGING CRITICAL VEHICLE SYSTEMS
OR INJURY TO INSTALLER DURING INSTALLATION PROCESS!**



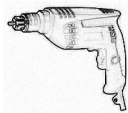
 **CAUTION** 
**TO AVOID DAMAGING THE VEHICLE ALWAYS
USE DRILL STOPS WHEN DRILLING ANY IN-
STALLATION HOLES!**



- IMPORTANT WARRANTY REQUIREMENTS -

1. SUBSTITUTING ADRIAN STEEL SPECIFIED FASTENERS FOR ASSEMBLY AND/OR INSTALLATION WILL VOID YOUR PRODUCT WARRANTY.
2. ALL HOLES DRILLED INTO VEHICLE SHOULD HAVE THE RAW METAL EDGES SEALED WITH A SELF-ETCHING PRIMER TO RESIST CORROSION AND POTENTIAL FASTENER POINT FAILURE.
3. ALL FASTENERS USED IN THE INSTALLATION OF THIS PRODUCT SHOULD BE TIGHTENED TO THE TORQUE(S) SPECIFIED IN THESE INSTRUCTIONS.
4. THESE INSTRUCTIONS SHOULD BE KEPT WITH THE VEHICLE.

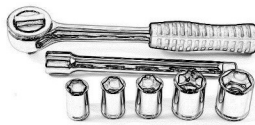
THE BASIC TOOLS NEEDED FOR MOST INSTALLATIONS



DRILL



DRILL BIT WITH
STOP



RATCHET, SOCKETS
AND/OR WRENCHES



SCREWDRIVERS





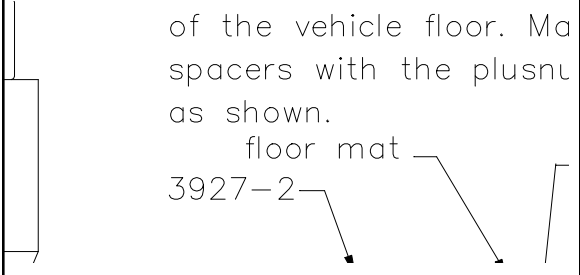
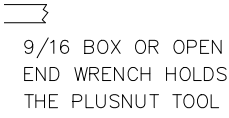
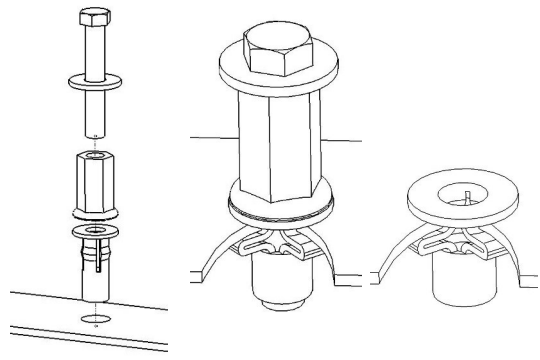
MEASURING TAPE

ADDITIONAL TOOLS MAY BE NEEDED FOR THIS INSTALLATION AND THEY WILL BE IDENTIFIED IN THE STEPS THAT FOLLOW.



WHEN INSTALLING PLUSNUTS MAKE SURE YOU USE THE CORRECT DRILL BIT WITH A STOP!

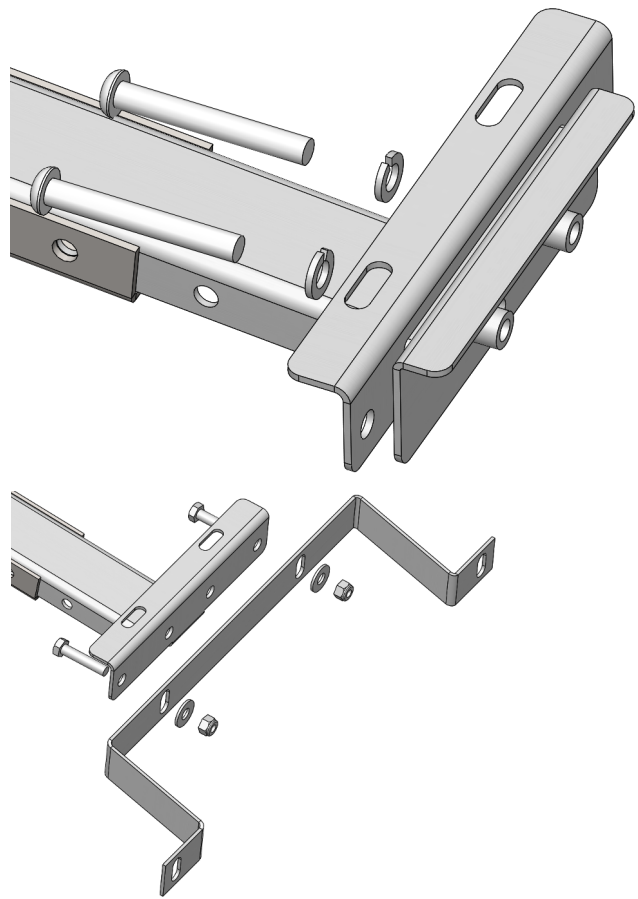
PLUSNUT SIZE	DRILL BIT SIZE
1/4-20 PLUSNUT, FAS0052	USE A 3/8" DIAMETER DRILL BIT WITH A STOP.
5/16-18 PLUSNUT, FAS0091	USE A 1/2" DIAMETER DRILL BIT WITH A STOP.
 OR  NOTE: A PLUSNUT SETTING TOOL IS REQUIRED FOR PLUSNUT INSTALLATION AND IS NOT SUPPLIED WITH THIS KIT. ORDER PLUSNUT TOOLS FROM ADRIAN STEEL (P.N. 22200-0)OR USE AN AIR POWERED PLUSNUT SETTING GUN.	
NOTE: If your vehicle contains carpet or a rubber floor mat you will need to prepare the mounting locations using a 1-3/16" carpet cutter.	1-3/16" DIAMETER CARPET CUTTER P.N. 31183-0.

<p>of the vehicle floor. Make spacers with the plusnut as shown.</p> 	<p>Step 01 Optional Based on Vehicle</p>	<p>If your vehicle contains carpet or a rubber floor mat you will need to prepare the mounting locations. (if not, skip to STEP 02)</p> <p>Position the product to be installed into the vehicle and once you are satisfied with the mounting locations, mark the mounting locations. Using a 1-3/16" diameter carpet cutter. Select the appropriate floor spacers as shown in the illustration to the left. Set those aside for use later into the installation process.</p> <p>Once you have prepared the carpet/floor mat for mounting, proceed to STEP 02.</p>
<p>INSTALLATION</p> <p>SETTING THE PLUSNUT</p> <p>AND TOOL, RATCHET ? AIR TOOL TURNS THE WRENCH TO DRAW PLUSNUT</p>  <p>9/16" BOX OR OPEN END WRENCH HOLDS THE PLUSNUT TOOL</p> <p>ALWAYS PART ON TO</p> <p>floor mat 3927-2</p>	<p>Step 02 Prepare Mounting Locations</p>	<p>Using a drill and drill bit (see table at top of page for correct size) drill the mounting holes in the vehicle sheet metal to prepare for installing the plusnuts.</p> <p>If you are thru-bolting at any of the locations simply drill a hole that is 1/16" larger than the bolt size(s) for those locations.</p> <p>Once you have drilled the holes into the vehicle, the raw metal edges should be sealed using a self-etching primer to resist corrosion and potential fastener point failure.</p>
	<p>Step 03 Setting Plusnuts</p>	<p>Use an Air Powered Plusnut Setting Gun to "set the plusnut" or if installing manually with hand tools, assembly the following.</p> <p><u>1/4-20UNC Plusnut (FAS0052)</u> FAS0080 SCREW, HXHD, 1/4-20UNCx2.00, G8 FAS0067 WASHER, FLAT, 1/4"ID 22200-0 PLUSNUT TOOL</p> <p><u>5/16-18UNC Plusnut (FAS0091)</u> FAS0095 SCREW, HXHD, 5/16-18UNCx2.00", G8 FAS0086 WASHER, FLAT, 5/16"ID 22200-0 PLUSNUT TOOL</p> <p>Place barrel of the plusnut body in sheet metal thru hole until flange is flush with sheet metal.</p> <p>Using a 9/16" combination wrench of plusnut tool body and a second hand wrench, ratchet, or air tool, rotate the hex bolt head CW to draw plus nut flanges up (set the plusnut).</p> <p>Remove hex bolt, washer, and plusnut. Inspect installation.</p>

PARTS YOU WILL USE FOR STEP 01	5/16" OR M6 HEX DRIVER BIT	DRILL/DRIVER	55998-G MOUNTING CHANNEL	55997 LOCK PLATE
				
	FAS0091 5/16-18 PLUSNUT (2) EA	49687-G LK PM CENTER MOUNTING KIT		
				

Instructions for Step 01

ATTACH REAR MOUNTING BRACKET TO RAIL



IF MOUNTING OFF CENTER OF VAN ATTACH 55997 LOCK PLATE to 55998 MOUNTING CHANNEL USING:
 FAS0664 Screw, BHCS 3/8-16X2.7 SSW
 FAS0575 Washer, Lock split 3/8 SS
 Leave fasteners loose for now

Attach Rear Mtg Brkt 49687-G to 55998 Mtg Channel Rear using:
 FAS0129 Screw, Hex, 5/16-18X1
 FAS0090 Locknut, 5/16-18
 FAS0112 Washer
 Torque to 11 Ft Lbs +/- 2 at install.

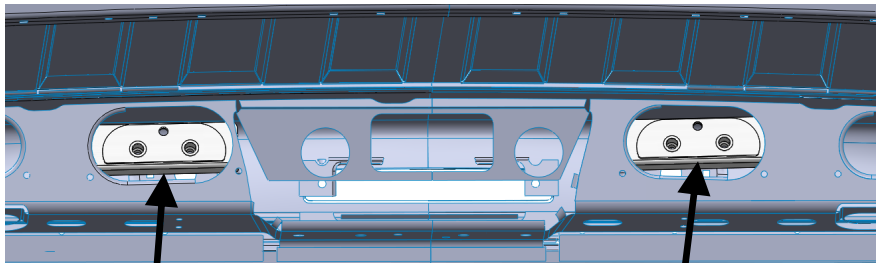
PARTS YOU WILL USE FOR STEP 02	5/16" OR M6 HEX DRIVER BIT	DRILL/DRIVER	55998-G MOUNTING CHANNEL	55997 LOCK PLATE
				

Instructions for Step 02



TAKE LOOSELY CONNECTED REAR MOUNTING RAIL AND LOCK PLATE AND MANEUVER 55997 LOCK PLATE INTO SLOT IN REAR HEADER OF THE VAN, AS SHOWN.

TIGHTEN BOLTS.



IF USING 49687-G REAR MOUNTING BRACKET REFER TO PAGE 6 FOR INSTALLATION INSTRUCTIONS

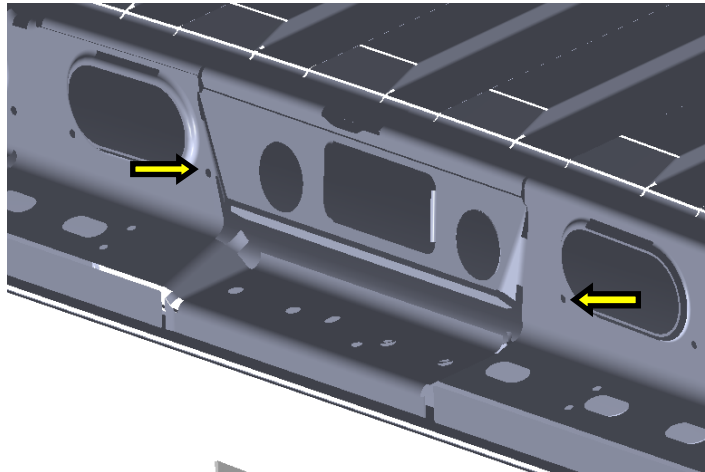
Mounting to CS of vehicle

Mounting to SS of vehicle

PARTS YOU WILL USE FOR STEP 02	5/16" OR M6 HEX DRIVER BIT	DRILL/DRIVER	55998 MOUNTING CHANNEL	FAS0664 3/8-16 x 2-3/4" BHCS
				
	49687-G REAR BRACKET	PLUSNUT GUN OR SETTING TOOL	FAS0091 5/16-18 PLUSNUT (2) EA	
				

Instructions for Step 02

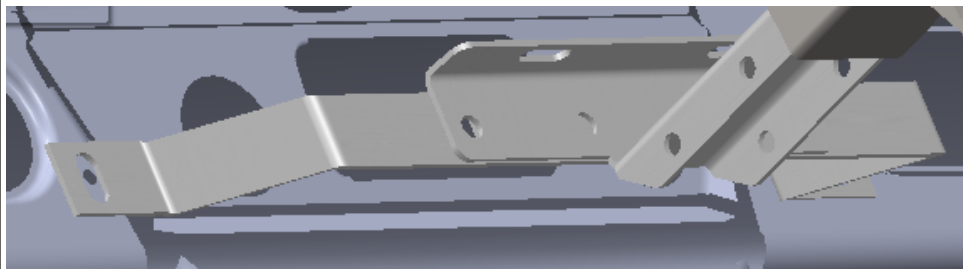
This is for mounting in the center of vehicle.

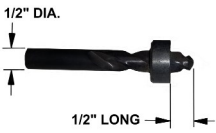






INSERT AND SET TWO (2) PLUSNUTS IN THE HOLES SHOWN TO THE LEFT.

PLACE BRACKET AND INSTALL FASTENERS

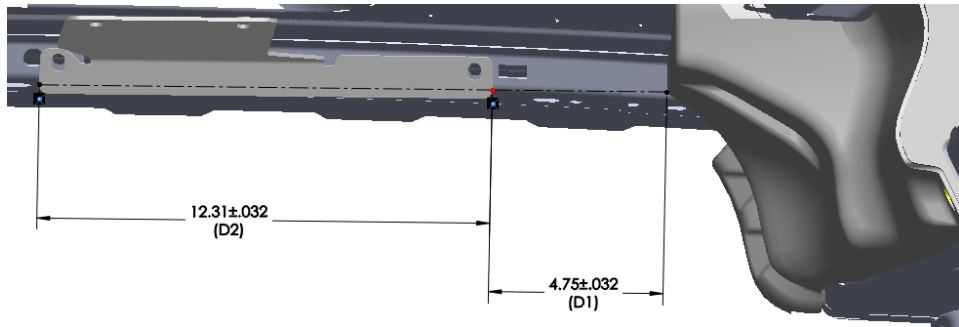
IF USING 55997 LOCK PLATE REFER TO PAGE 5 FOR INSTALLATION INSTRUCTIONS



PARTS YOU WILL USE FOR STEP 03	1/2" DIA. DRILL BIT WITH STOP 	DRILL & HEX SOCKET 	PLUSNUT GUN OR SETTING TOOL 	FAS0091 5/16-18 PLUSNUT (2) EA 
	PAINT MARKER or CENTER PUNCH 	55999-G MOUNTING BRACKET 	PRIMER 	

Instructions for Step 03

Install Front Bracket



PLACE 55999 FRONT BRACKET ON PARTITION AND VAN HEADER AND MAKE AN OUTLINE ON THE PARTITION FOR WHERE THE PARTITION WILL NEED TO BE TRIMMED.

TRIM PARTITION.

PLACE BRACKET BACK ON VAN HEADER AND MARK THE TWO LOCATIONS FOR PLUSNUTS.

USING 1/2" DRILL BIT WITH STOP, DRILL THE TWO (2) HOLES AND APPLY PRIMER.

INSERT AND SET THE TWO (2) PLUSNUTS.

PLACE BRACKET AND INSTALL FASTENERS, AS SHOWN.

PARTS YOU WILL USE FOR STEP 04	HEX SOCKET	DRILL	55999-G MOUNTING BRACKET	55998-G MOUNTING CHANNEL
				
	FAS0082 (2)	FAS0090 (2)	FAS0112 (4)	
				

Instructions for Step 04

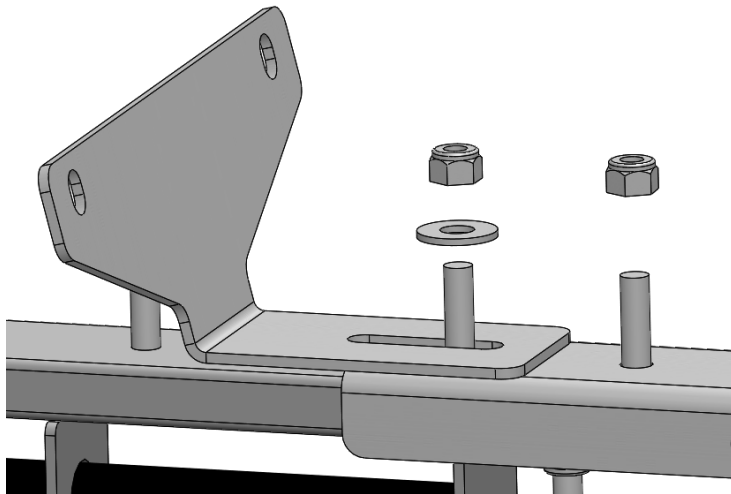
Attach Front Bracket to Mounting Channel



ATTACH 55998-G MOUNTING CHANNEL TO 55999-G MOUNTING BRACKET.

PARTS YOU WILL USE FOR STEP 05	56573-G RAIL ASM	55998-G MOUNTING CHANNEL	DRILL	HEX SOCKET
				
	FAS0090	FAS0112		
				

Instructions for Step 05



ATTACH 56573-G RAIL TO 55998 MOUNTING CHANNEL AT FRONT END OF VAN.

REPEAT THIS STEP FOR REAR END OF VAN.

PARTS YOU WILL USE FOR STEP 06	1/2" DIA. DRILL BIT WITH STOP & PRIMER 	DRILL & HEX SOCKET 	PLUSNUT GUN OR SETTING TOOL 	FAS0091 5/16-18 PLUSNUT (2) EA 
	PAINT MARKER or CENTER PUNCH 	56016-G ROOFBOW BRACKET (3) 	FAS0129 (2) 	FAS0098 (2) & FAS0112 (2) 

Instructions for Step 06



TAKE ROOFBOW BRKT AND PLACE ON ROOFBOW OF VAN.

MARK THE TWO LOCATIONS FOR PLUSNUTS.

USING A 1/2" DRILL BIT WITH STOP, DRILL THE TWO (2) HOLES AND APPLY PRIMER.

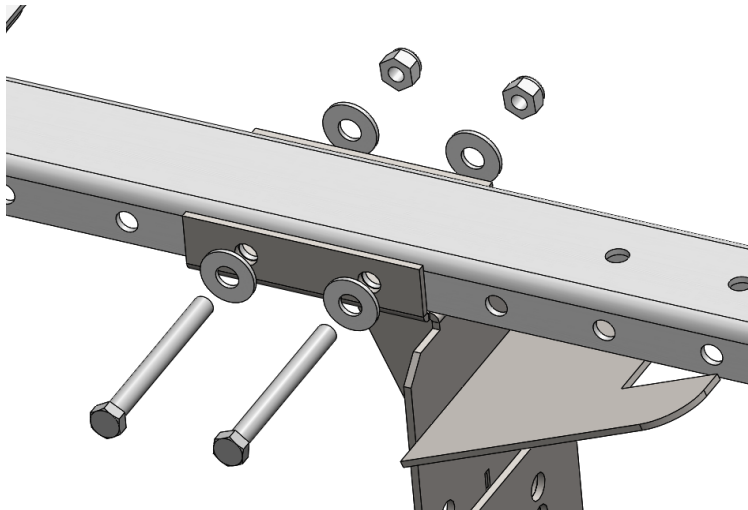
INSERT AND SET THE TWO (2) PLUSNUTS.

PLACE ROOFBOW BRACKET AND INSTALL FASTENERS, AS SHOWN.

REPEAT THIS STEP FOR NEXT TWO ROOFBOW BRACKETS.



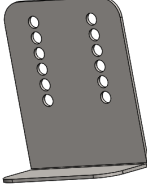
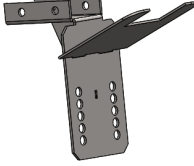
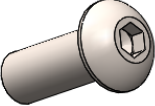

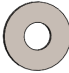
<p>PARTS YOU WILL USE FOR</p> <p>STEP 07</p>	53297-G STOP WELDMENT	DRILL	FAS0244 (2)	FAS0090 (2)
				
	5/16" HEX SOCKET	55998-G MOUNTING CHANNEL	FAS0112 (4)	
				

Instructions for Step 07

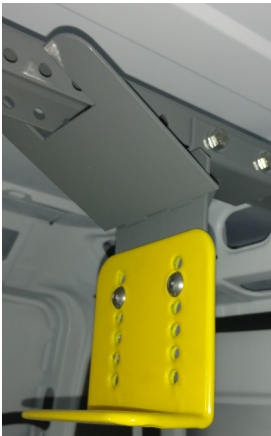
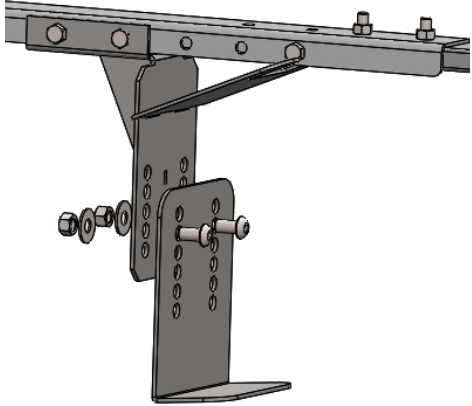


ATTACH 53297-G STOP WELDMENT TO 55998-G.

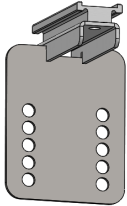

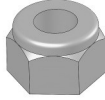


PARTS YOU WILL USE FOR STEP 08 Mid roof	5/16" OR M6 HEX DRIVER BIT	DRILL	53302-Y LADDER STOP	53297-G STOP WELDMENT
				
	FAS0577 (2)	FAS0110 (2)	FAS0104 (2)	
				

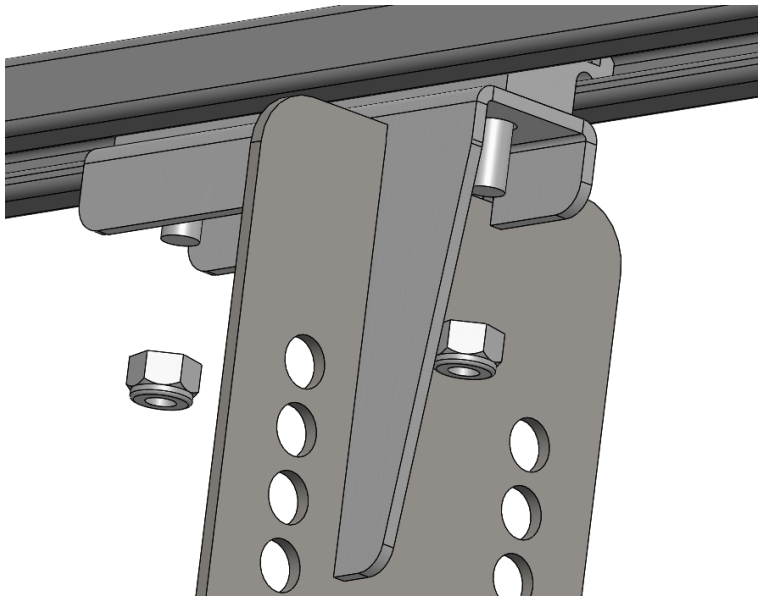
Instructions for Step 08



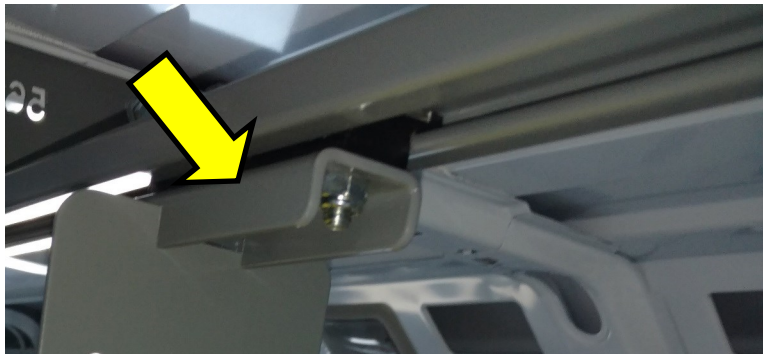
ATTACH 53302-Y LADDER STOP TO 53297-G STOP WELDMENT.



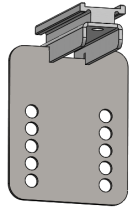
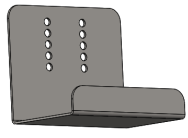
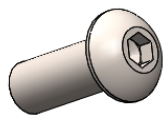

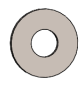
PARTS YOU WILL USE FOR STEP 09	56607-G KEEPER SLIDE	56573-G RAIL ASM	FAS0090 (2)	
				

Instructions for Step 09

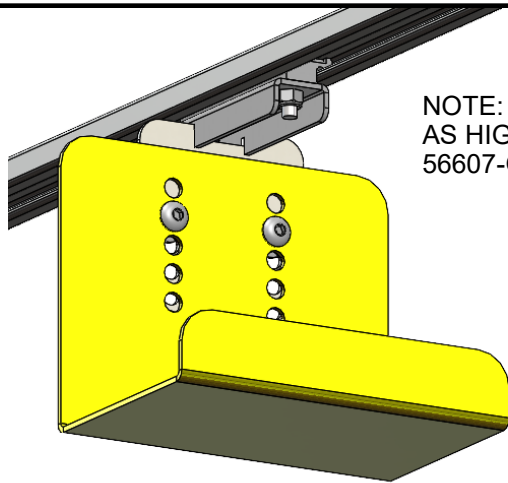


SLIDE 56607-G KEEPER SLIDE ONTO RAILING WITH STOP MOUNT FACING REAR OF VAN, (STOP MOUNT REFERENCED BY ARROW)

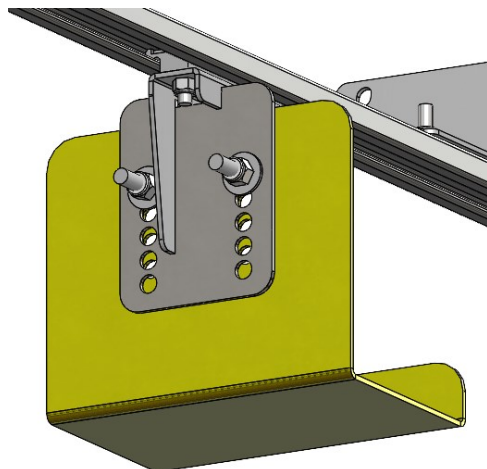


<p>PARTS YOU WILL USE FOR</p> <p>STEP 10</p>	<p>5/16" OR M6 HEX DRIVER BIT</p>	<p>DRILL</p>	<p>56607-G KEEPER SLIDE</p>	<p>53301-Y LADDER KEEPER</p>
				
	<p>FAS0577 (2)</p>	<p>FAS0110 (2)</p>	<p>FAS0104 (2)</p>	
				

Instructions for Step 10



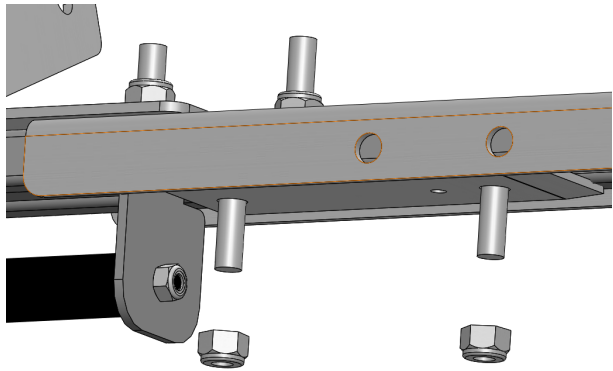
NOTE: ASSEMBLE 53301-Y AS HIGH AS POSSIBLE ON 56607-G



ATTACH 53301-Y LADDER KEEPER TO 56607-G KEEPER SLIDE.

PARTS YOU WILL USE FOR STEP 11	5/16" HEX SOCKET	DRILL	56602-G GAS SPRING	55998 MOUNTING CHANNEL
				
	FAS0090 (2)			
				

Instructions for Step 11



ATTACH 56602-G GAS SPRING TO 55998 MOUNTING CHANNEL