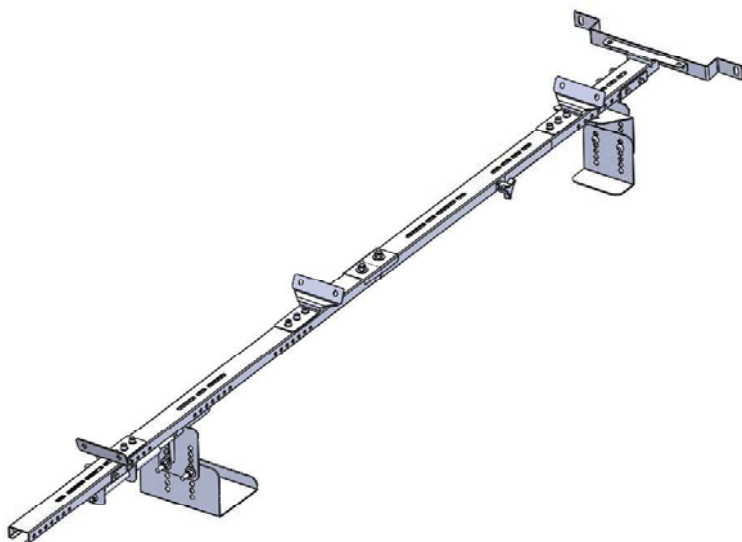




## LK8FT Ldr Keeper, 130 WB Lo/Mid Roof Transit



PRODUCT WEIGHT

**22 LBS**

WIDTH x DEPTH x HEIGHT

**17" x 96" x 11"**

CAPACITY

**ONE 7' STEP LADDER**

COLOR

**GRAY/YELLOW**

CATALOG NUMBER

**LK8FT**

### PRODUCT FEATURES

LADDER KEEPER FOR CARRYING STEP LADDERS SUSPENDED FROM THE CEILING INSIDE A VAN OR TRAILER. THIS UNIT IS DESIGNED FOR THE 130" WHEELBASE LOW ROOF OR MID ROOF FORD TRANSIT VAN. HOLES NEED TO BE DRILLED AND PLUSNUTS SET IN ORDER TO INSTALL THIS UNIT. SEE INSTRUCTIONS.

SEE PAGE 2 FOR APPLICATION NOTES AND ACCESSORIES, OTHER PRODUCTS THAT WORK WITH THIS UNIT.

PAGE 1 of 2

The information contained in this document is the sole property of ADRIAN STEEL COMPANY. ADRIAN STEEL COMPANY retains the right to modify and/or change the product of its design at any time without prior notification.



**CATALOG NUMBER      LK8FT**

***PRODUCT APPLICATION***

**This product is designed to be installed IN 130" WHEELBASE, LOW ROOF OR MID ROOF FORD TRANSIT VANS**

***ACCESSORIES THAT WILL WORK WITH THIS PRODUCT***

<b><i>CATALOG NUMBER</i></b>	<b><i>DESCRIPTION</i></b>
------------------------------	---------------------------

<b>N/A</b>	
------------	--

***SPECIAL APPLICATION NOTES***

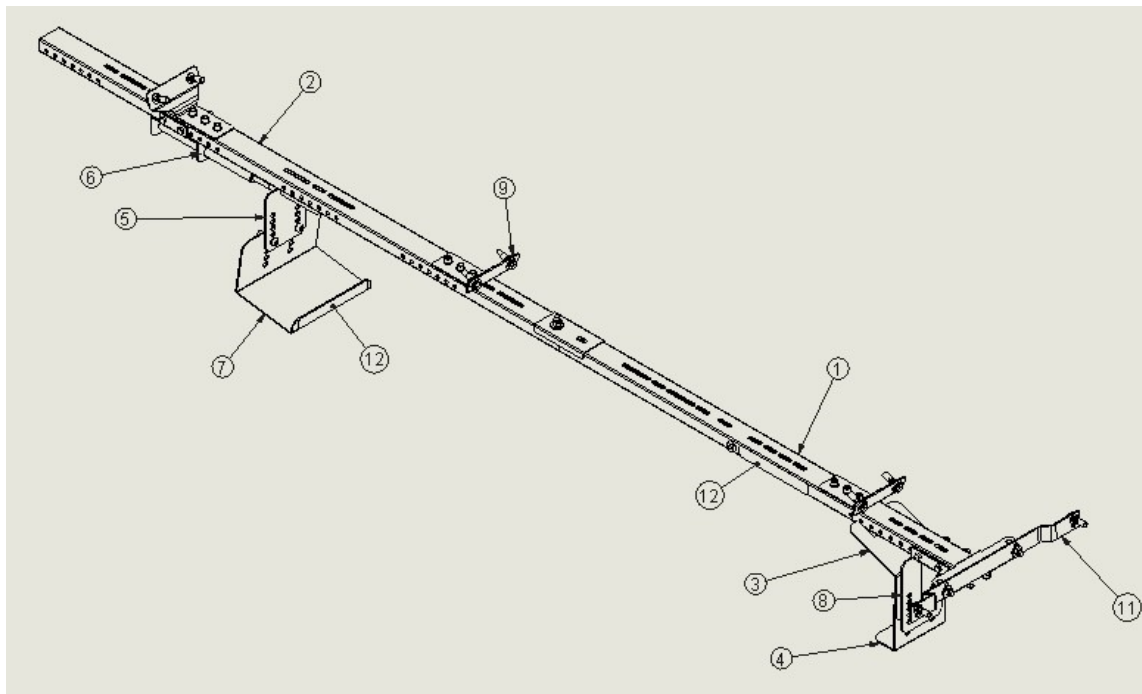
**Introduction / Comments:**

Ladder Keeper for 130" WB Transit Vans to carry Step Ladders inside van suspended from ceiling. Can accommodate up to a 7' Step Ladder.

**Note:**

It is advised that all fasteners used in this assembly and installation should be checked for tightness at the following intervals: @ 2-weeks and again @ 6-weeks of operation. This preventive maintenance step must be completed to ensure your Product gives you long service life.

ITEM NO.	PART NUMBER	DESCRIPTION	LK8FT/QTY.
1	40375-G	BASE RAIL WELDMENT,PAINTED	1
2	39496-G	FRONT RAIL	1
3	30253-0	LADDER SNUBBER	1
4	30254-0	LADDER STOP	1
5	30241-0	KEEPER ASSEMBLY	1
6	30261-0	GAS SPRING ASSEMBLY	1
7	30244-0	LADDER KEEPER	1
8	30263-0	STOP WELDMENT	1
9	49074-G	Mtg Brkt Asm, LK8FT	3
10	BAGLK8FT	Fas Bag, LK8FT	1
11	49235-G	Rear Mtg Brkt, LK8FT	1
12	65358	LABEL-L.R. & FOLD SHELVING	2
13	49514-G	Rear Mtg Brkt, Mid Roof	1



**LK8FT  
Ladder Keeper, 130" WB Transit**

## - PRECAUTIONS -





 **CAUTION**   
**THE USE OF AIR IMPACT TOOLS CAN  
OVER-TORQUE FASTENERS AND  
CAUSE FASTENER FAILURE!**





 **CAUTION**   
**ALL INSTALLATION HOLES SHOULD BE SEALED  
WITH SILICON OR BUTYL SEALANT TO PREVENT  
EXHAUST FUMES FROM ENTERING THE VEHICLE!**



 **DANGER**   
**INSPECT FOR FUEL TANK, FUEL LINES, BRAKE LINES, HIGH  
VOLTAGE BATTERIES AND ELECTRICAL LINES PRIOR TO  
DRILLING TO AVOID DAMAGING CRITICAL VEHICLE SYSTEMS  
OR INJURY TO INSTALLER DURING INSTALLATION PROCESS!**



 **CAUTION**   
**TO AVOID DAMAGING THE VEHICLE ALWAYS USE DRILL  
STOPS WHEN DRILLING ANY INSTALLATION HOLES!  
ADRIAN AVAILABLE PART #'S 31121-0 (1/2" DEEP),  
31122-0 (3/4" DEEP)**



## - IMPORTANT WARRANTY REQUIREMENTS -

1. SUBSTITUTING ADRIAN STEEL SPECIFIED FASTENERS FOR ASSEMBLY AND/OR INSTALLATION WILL VOID YOUR PRODUCT WARRANTY.
2. ALL HOLES DRILLED INTO VEHICLE SHOULD HAVE THE RAW METAL EDGES SEALED WITH A SELF-ETCHING PRIMER TO RESIST CORROSION AND POTENTIAL FASTENER POINT FAILURE.
3. ALL FASTENERS USED IN THE INSTALLATION OF THIS PRODUCT SHOULD BE TIGHTENED TO THE TORQUE(S) SPECIFIED IN THESE INSTRUCTIONS.
4. THESE INSTRUCTIONS SHOULD BE KEPT WITH THE VEHICLE.

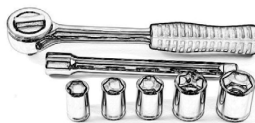
### THE BASIC TOOLS NEEDED FOR MOST INSTALLATIONS



DRILL



DRILL BIT WITH  
STOP



RATCHET, SOCKETS  
AND/OR WRENCHES



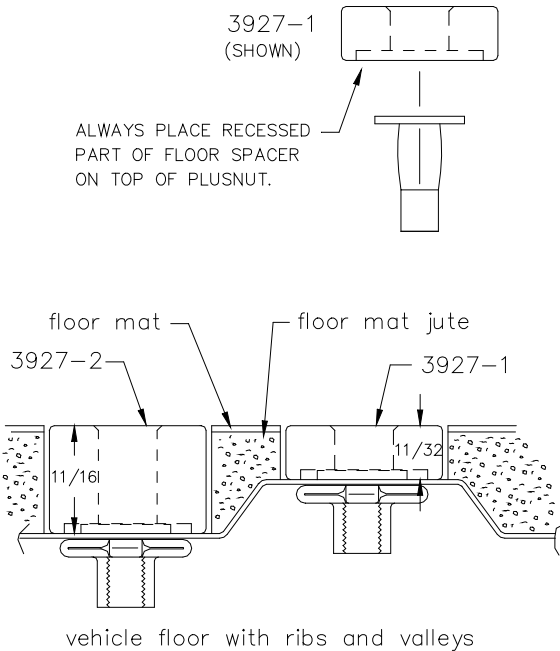
SCREWDRIVERS



MEASURING TAPE

ADDITIONAL TOOLS MAY BE NEEDED FOR THIS INSTALLATION AND THEY WILL BE IDENTIFIED IN THE STEPS THAT FOLLOW.

If your vehicle contains carpet or a rubber floor mat you will need to prepare the mounting location. Position the product to be installed into the vehicle and once you are satisfied with the mounting locations, mark the mounting locations. Using a 1-3/16" diameter carpet cutter (P/N: 31183-0). Select the appropriate floor spacers as shown in the illustration. Set those aside for use later into the installation process. Using the correct drill bit size for the selected plusnut, drill the mounting holes in the vehicle sheet metal to prepare for installing the plusnuts. If you are thru-bolting at any of the locations simply drill a hole that is 1/16" larger than the bolt size(s) for those locations. Once you have drilled the holes into the vehicle, the raw metal edges should be sealed using a self-etching primer to resist corrosion and potential fastener point failure.



A PLUSNUT (RIVNUT) SETTING TOOL IS REQUIRED FOR PLUSNUT (RIVNUT) INSTALLATION AND IS SUPPLIED WITH THIS KIT. OR USE AN AIR POWERED PLUSNUT SETTING GUN.

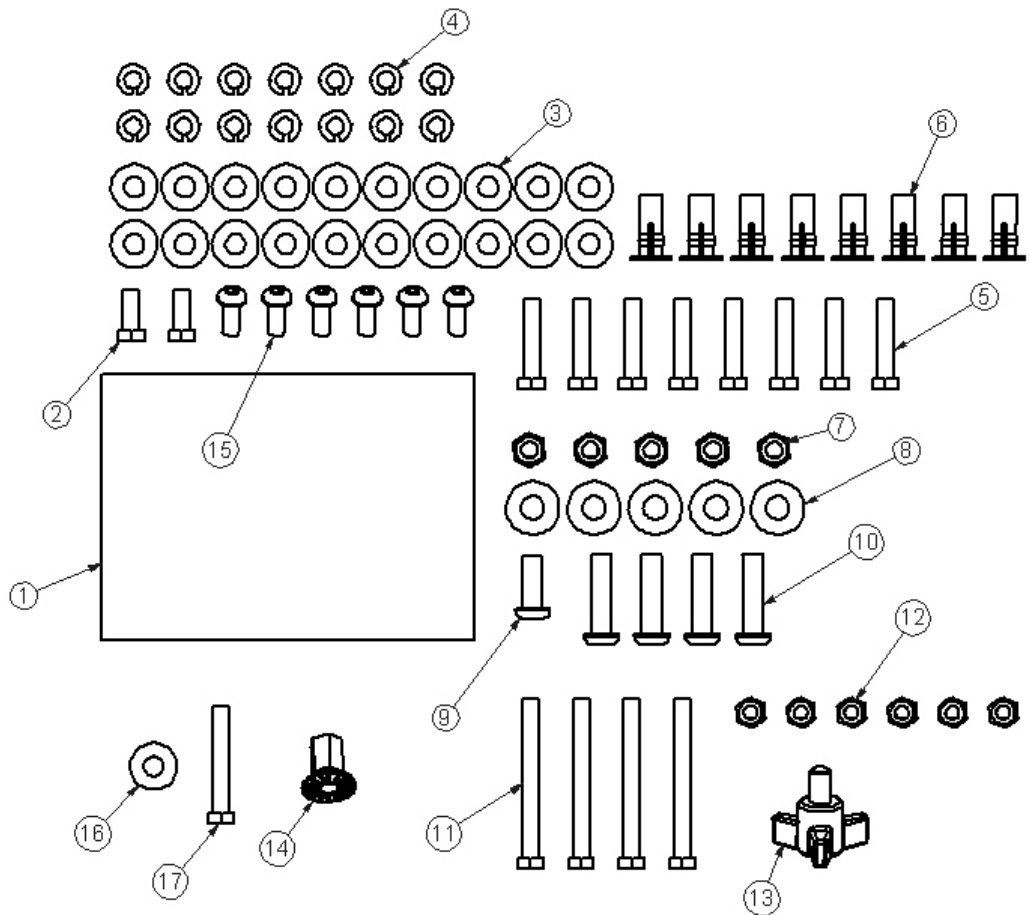
1/4-20UNC Plusnut (FAS0052) Use 3/8" dia. drill w/stop  
 FAS0080 SCREW, HXHD, 1/4-20UNCx2.00", G8  
 FAS0067 WASHER, FLAT, 1/4"ID  
 22200-0 PLUSNUT TOOL

5/16-18UNC Plusnut (FAS0091) Use 1/2" dia. drill w/stop  
 FAS0095 SCREW, HXHD, 5/16-18UNCx2.00", G8  
 FAS0086 WASHER, FLAT, 5/16"ID  
 22200-0 PLUSNUT TOOL

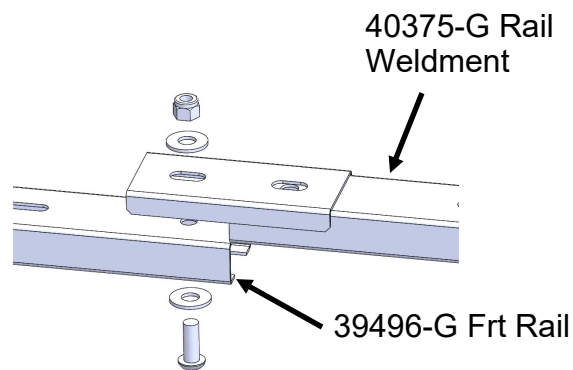
Place barrel of the plusnut body in sheet metal thru hole until flange is flush with sheet metal. Using a 9/16" combination wrench of plusnut tool body and a second hand wrench, ratchet, or air tool, rotate the hex bolt head CW to draw plus nut flanges up (set the plusnut).

**Installation and/or Assembly Fasteners**  
**BAGLK8FT**

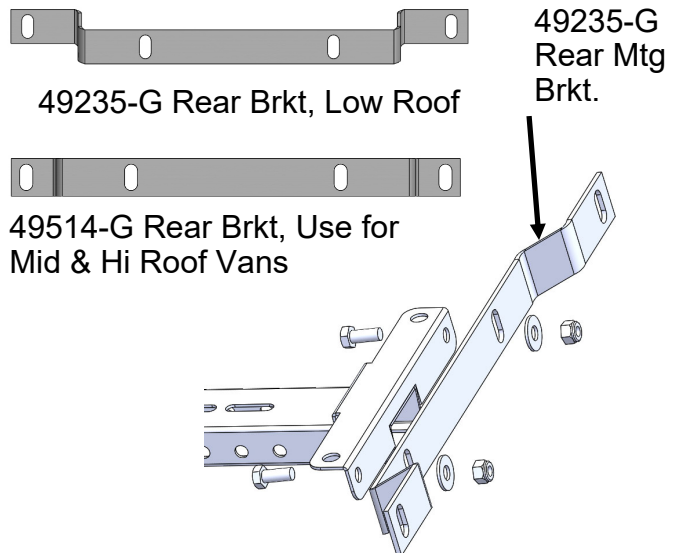
ITEM NO.	PART NUMBER	DESCRIPTION	BAGLK8FT/QTY.
1	BAG0507-A	5" x 7" 3MIL AUTOBAG	1
2	FAS0081	Screw, Hex Hd, 5/16-18x0.75 Zn Plate	2
3	FAS0112	Washer, Flat, 5/16, NI ZN	20
4	FAS0098	Washer, Lock, Split, 5/16, Zinc Plate	14
5	FAS0129	Screw, HH 5/16-18X1.5 Zn-Ni, G8	8
6	FAS0091	Plusnut, 5/16	8
7	FAS0110	Nut, Hex Nylk 3/8-16 SS W	5
8	FAS0104	Washer, Flat, 3/8, NI ZN	5
9	FAS0572	Screw, Button Hd Hex Soc, 3/8-16x1.00 NI-ZN	1
10	FAS0577	Screw, Button Hd Hex Soc, 3/8-16x1.50 NI-ZN	4
11	FAS 0244	Screw, Hex Hd, 5/16-18x3.00 Stainless Steel, Grade 5	4
12	FAS0090	Nut, Nylon Insert Lock, 5/16-18, Zi	6
13	16274-0	HAND KNOB	1
14	22200-0	Plus Nut tool	1
15	FAS0668	Screw, Button Hd Hex Soc, 5/16-18X.75, SS	6
16	FAS0086	WASHER, FLAT USS 5/16 ZP	1
17	FAS0095	Screw, Hex Hd, 5/16-18x2.00, Grade 8	1



### Step 01 Assemble Rail

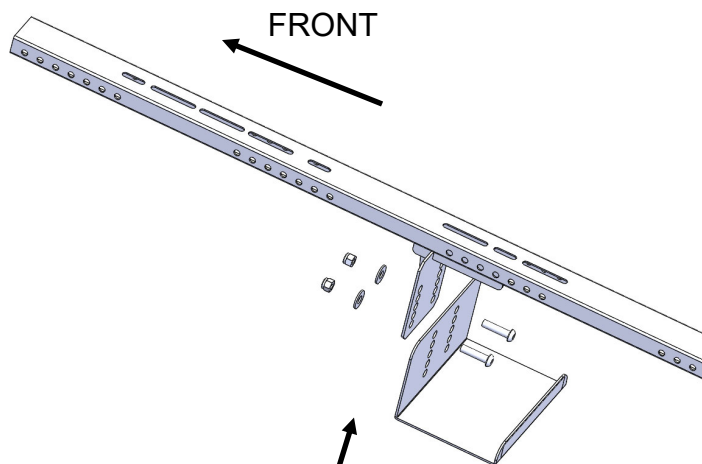


Attach Base Rail Weldment and Front Rail using :  
 FAS0572 Screw, BHCS, 3/8-16X1"  
 FAS0104 Washer (2)  
 FAS0110 Locknut, 3/8-16  
 Torque to 18 Ft Lbs +/- 2



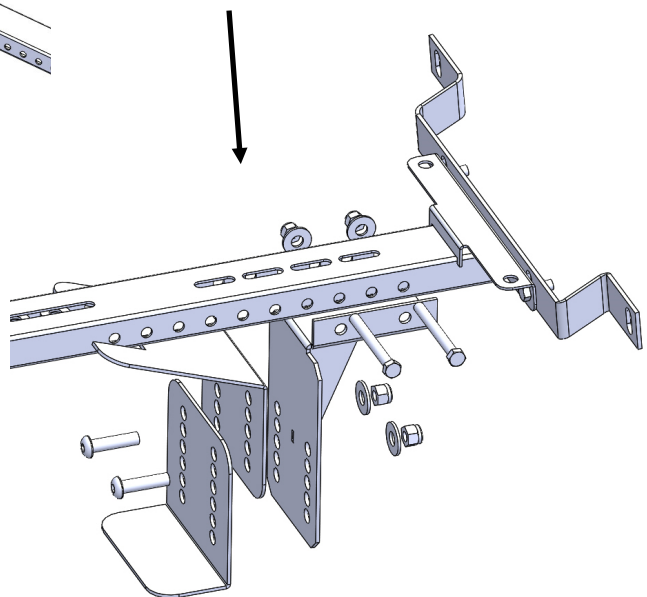
Attach Rear Mtg Brkt using :  
 FAS0081 Screw, Hex, 5/16-18X3/4  
 FAS0090 Locknut, 5/16-18  
 FAS0112 Washer  
 Leave fasteners loose for now,  
 Torque to 11 Ft Lbs +/- 2 at install.

### Step 02 Add Keeper and Gas Spring

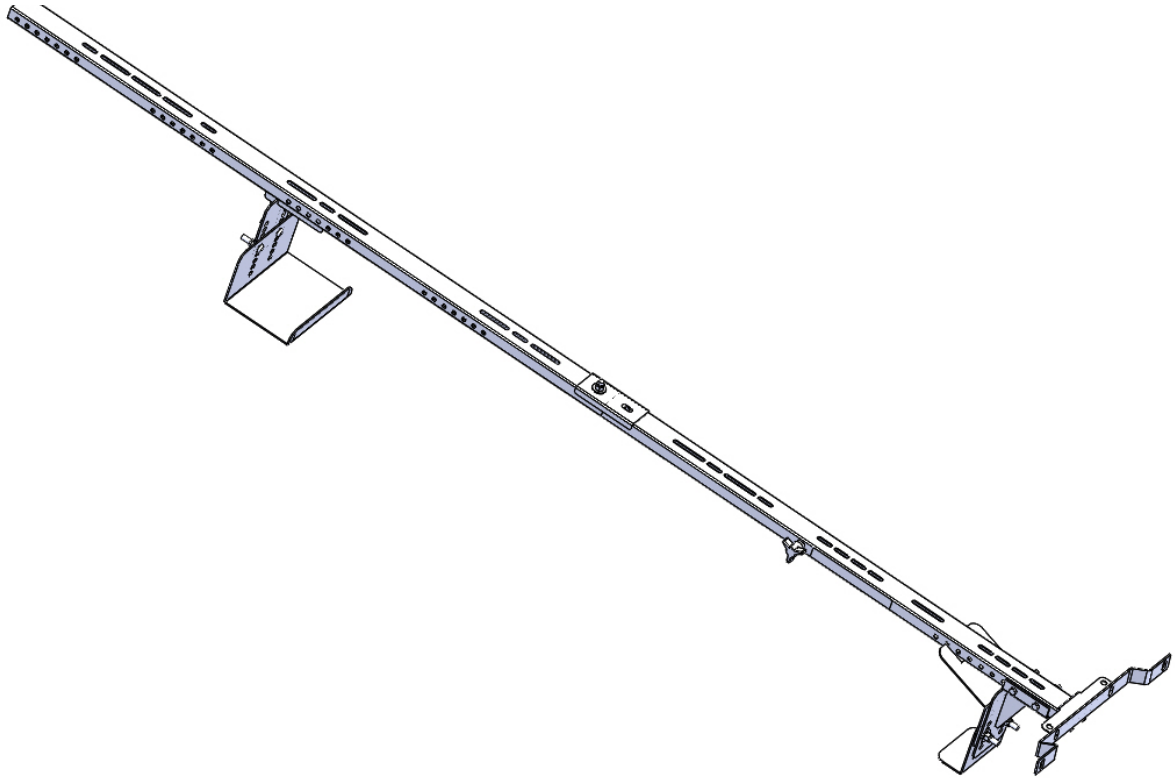


Insert Sliding Keeper Asm, 30241-0 into Rail. Attach Snubber 30244-0 with 2 each  
 FAS0577 BHCS, 3/8-16X1.5  
 FAS0104 Washer  
 FAS0110 Locknut, 3/8-16

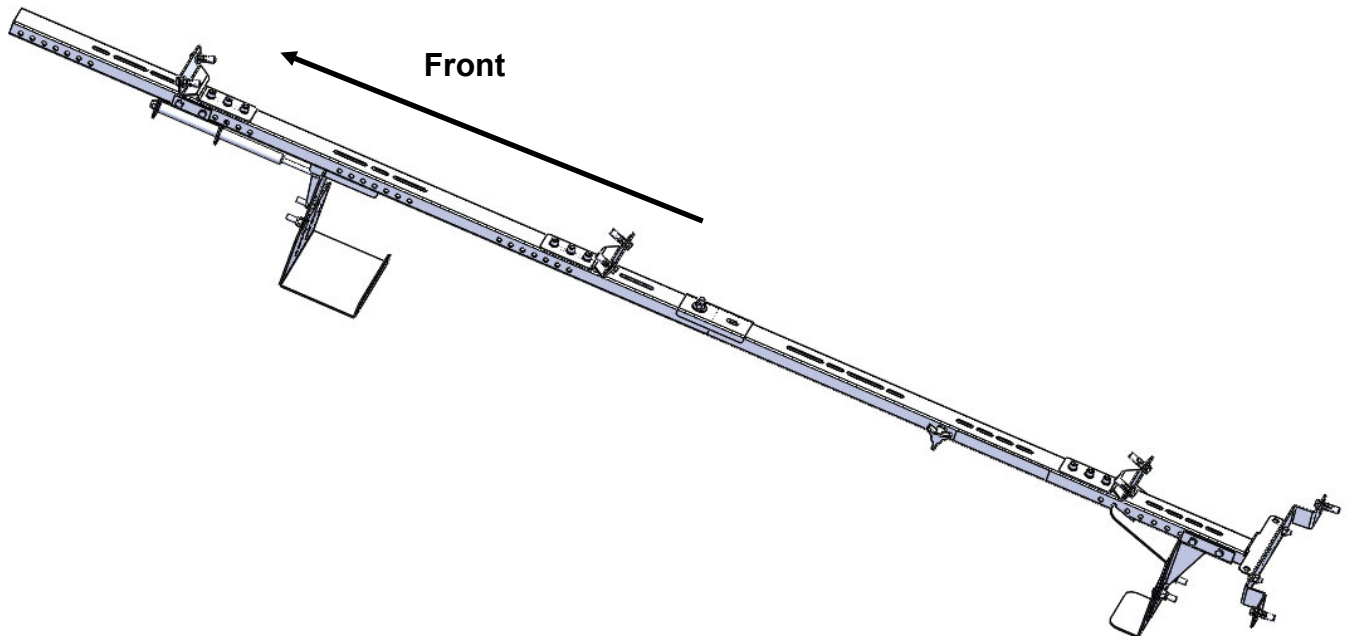
Attach Stop Asm 30263-0 to Rail using 2 ea  
 FAS0244 Screw, Hex, 5/16-18X3  
 FAS0112 Washer  
 FAS0090 Locknut, 5/16-18 in rearmost holes. Attach Snubber 30244-0 & Stop, 30254-0 to Assembly with 2 each  
 FAS0577 BHCS, 3/8-16X1.5  
 FAS0104 Washer  
 FAS0110 Locknut, 3/8-16



**This is your Completed Keeper Assembly**



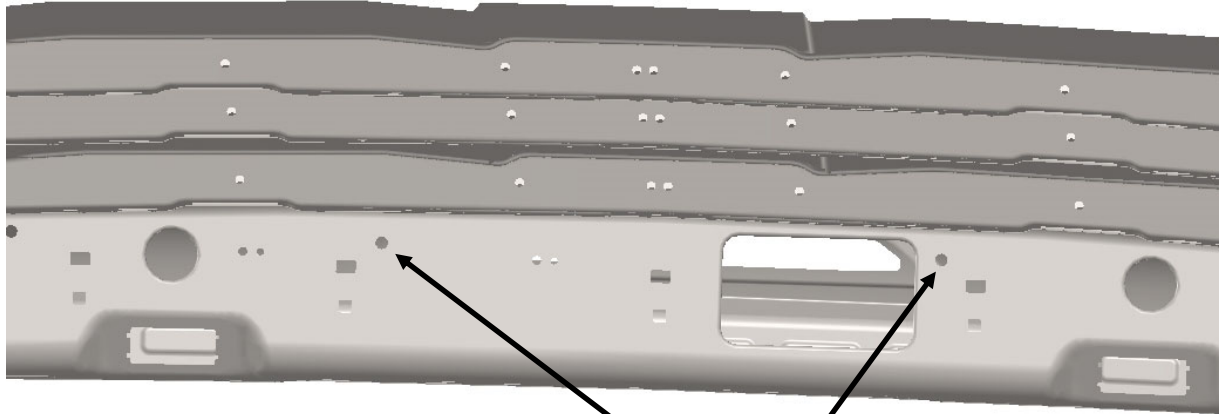
**Below is view of Ladder Keeper showing all mounting brackets and fasteners. For reference. Note orientation of mounting brackets. See next pages for installation in van.**





**Step 03 Drill mounting holes and set Plusnuts.**

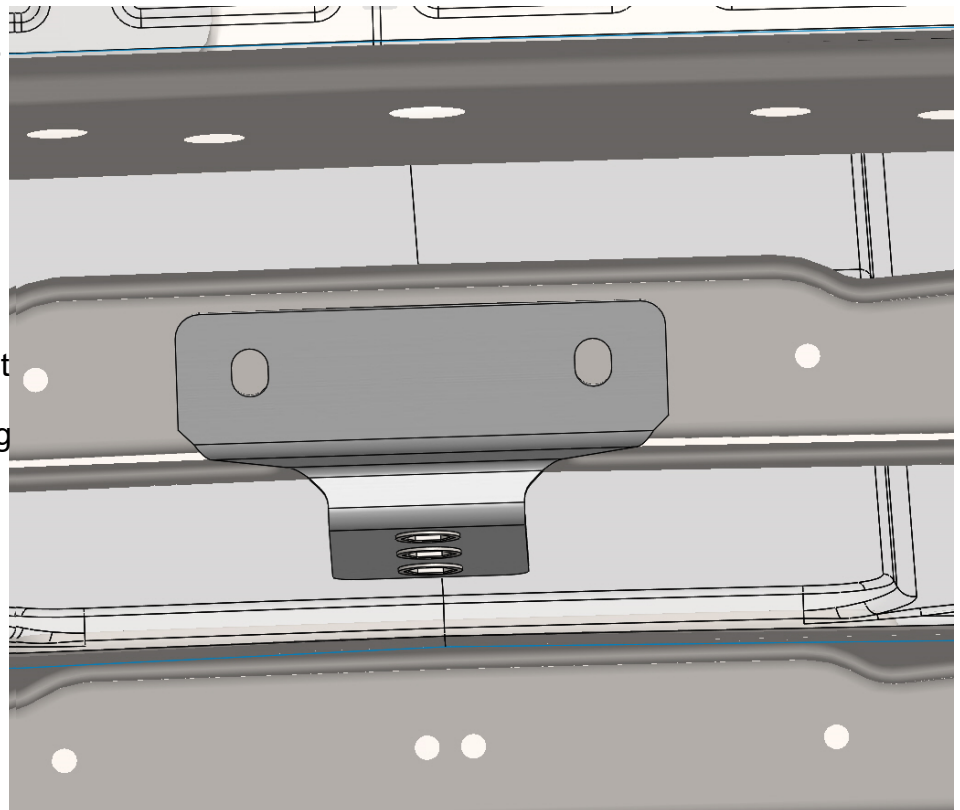
**View of center section rear door header from inside van. Be careful with wiring (not shown). If Plastic Cover is in place it will have to be removed and cannot be used in conjunction with Ladder Keeper!**



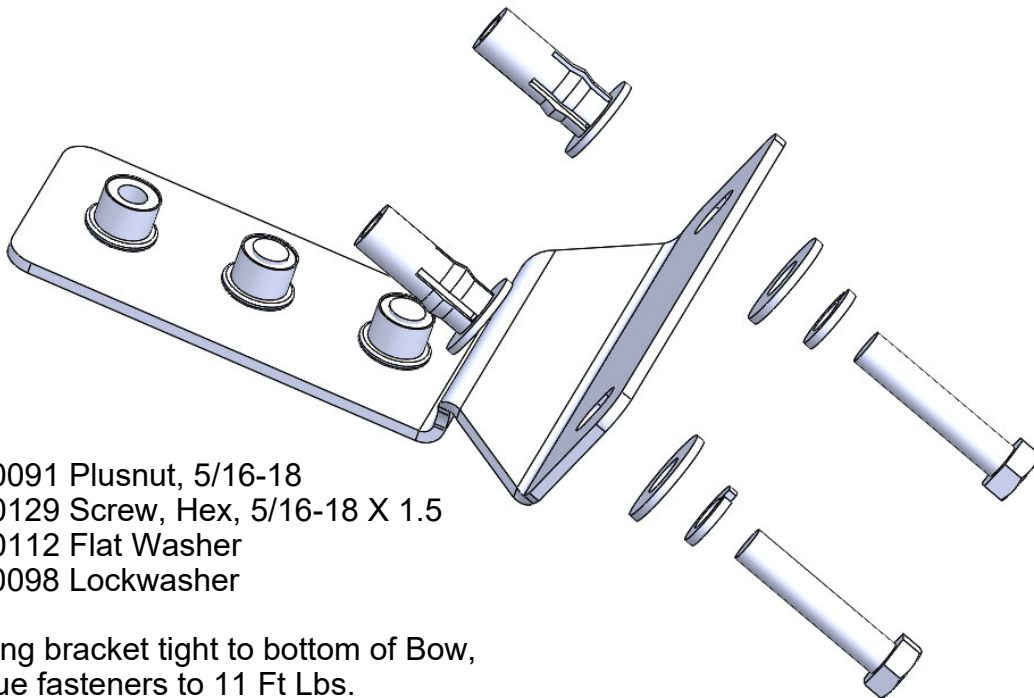
Using 1/2" drill bit with stop, drill out these 2 holes and set 2 FAS0091 5/16" Plusnuts in them. This is where the Rear Mounting Brkt, 49235-G will attach.

Typical view of center section of Roof Support Bows in van.

Place Mounting Brkt 49074-G centered on Bow with step in bracket against bottom surface of Bow and mounting flange against backside of the rearmost Bow and mark the 2 slots shown. Repeat on second Bow forward and on the 3rd Bow forward, mark the Front side of Bow. Refer to previous page and note Mounting Brkt orientation. Drill holes using 1/2" drill bit with stop and set FAS0091 Plusnuts in each of the 6 holes.



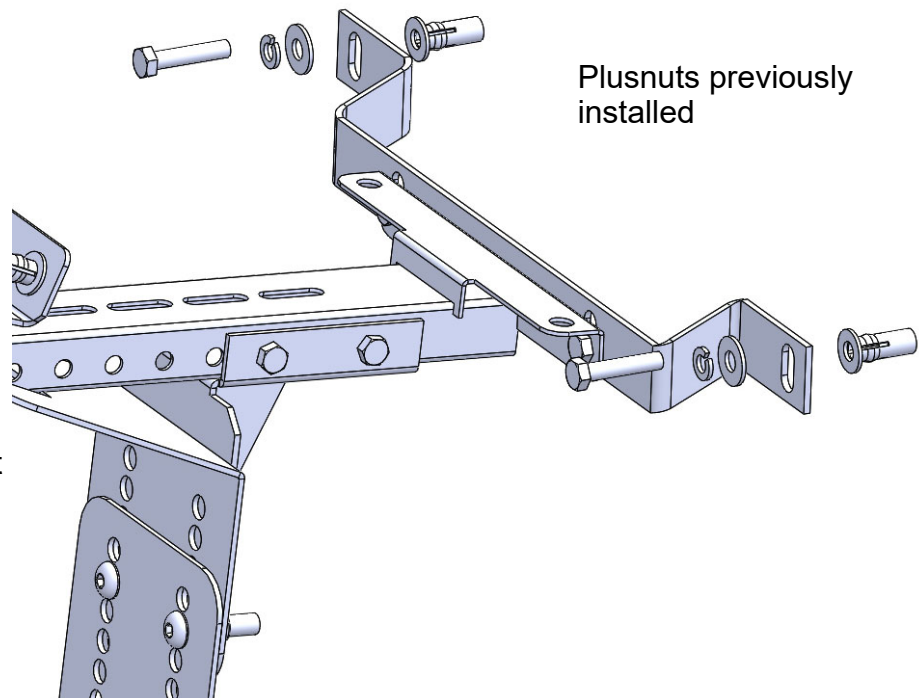
**Step 04** Attach each of 3 49074-G Mounting Brackets to the Bows.



- FAS0091 Plusnut, 5/16-18
- FAS0129 Screw, Hex, 5/16-18 X 1.5
- FAS0112 Flat Washer
- FAS0098 Lockwasher

Holding bracket tight to bottom of Bow,  
Torque fasteners to 11 Ft Lbs.

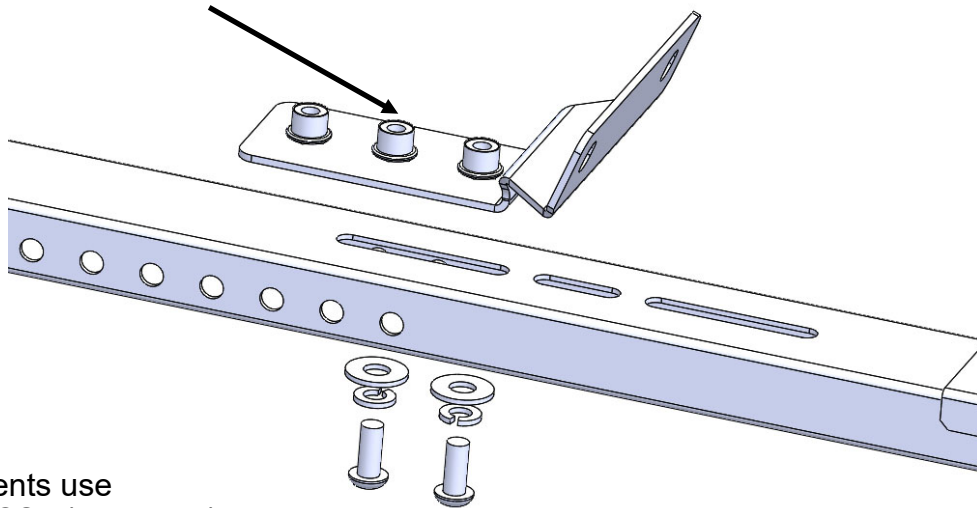
**Step 05** Mount Ladder Keeper in van.  
Attach rear of Keeper Asm to Rear Door Header and then attach Rails to Bow mounting



- Rear attachment utilizes
- FAS0129 Hex Screws
- FAS0112 Washers
- FAS0098 Lockwashers

Torque to 11 Ft Lbs after  
torqueing Rails to Bow  
brackets as shown in next  
step.

Brackets previously installed

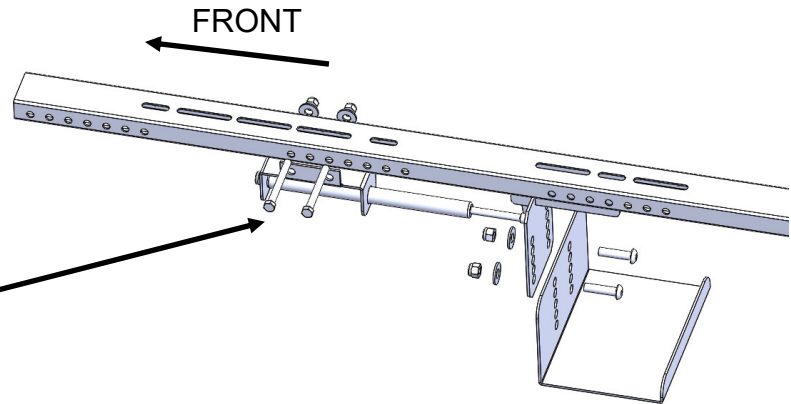


Bow attachments use  
FAS0668 BHCS 5/16-18 X3/4"  
FAS0112 Washers  
FAS0098 Lockwashers  
Thru Rail and into Rivnuts in Bracket

Torque to 11 Ft Lbs. after loosely attaching rear bracket shown on previous page.

**Attach Gas Spring Asm**

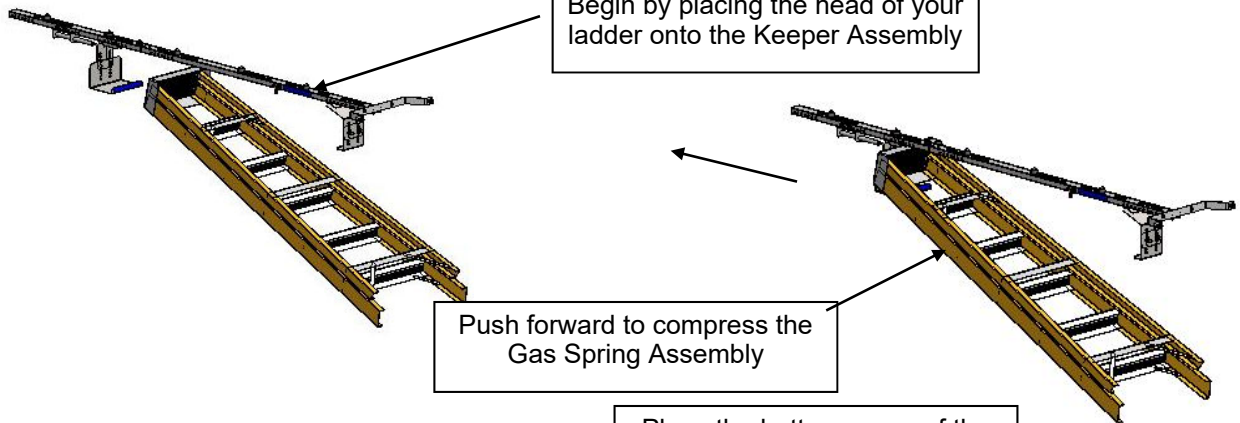
After mounting in van.



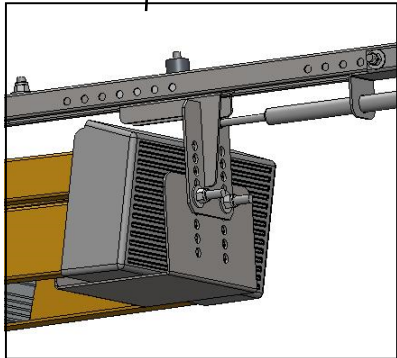
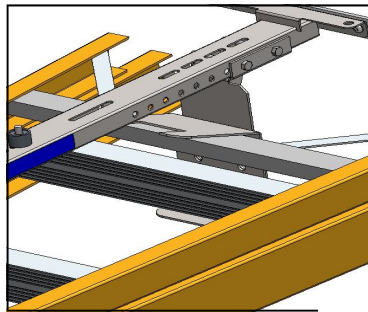
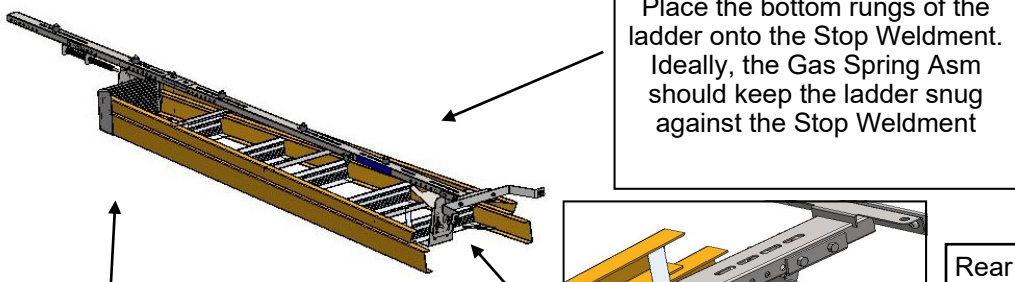
Attach Gas Spring & Brkt with  
FAS0244 Screws,Hex, 5/16-18X3  
FAS0112 Washers  
FAS0090 Locknuts, 5/16-18

After adjusting to accommodate the Ladder you will be carrying, go back and torque all fasteners. Use 10-12 ft Lbs for 5/16" fasteners and 16-18 Ft Lbs for 3/8" fasteners. See last page for adjustment instructions.

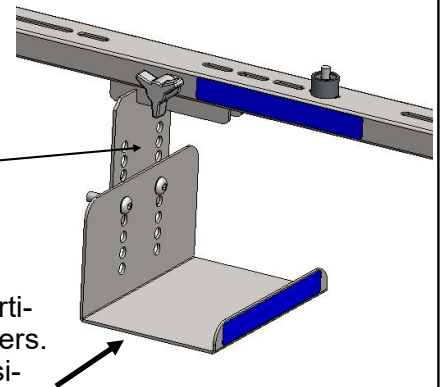
## Step 06 Adjust your Ladder Keeper to Accommodate your Ladder



Push forward to compress the Gas Spring Assembly



When no Ladder is being held, a hand knob is provided to prevent Slide from moving fore/aft during vehicle operation. Slide Keeper rearward to position shown and tighten knob to secure it.



**DOUBLE CHECK ALL FASTENERS LOCATIONS TO BE SURE THAT ALL FASTENERS ARE TIGHTENED TO SPECIFICATIONS.  
YOUR INSTALLATION IS NOW COMPLETE!  
STOW THIS COPY IN THE VEHICLE FOR FUTURE REFERENCES!**