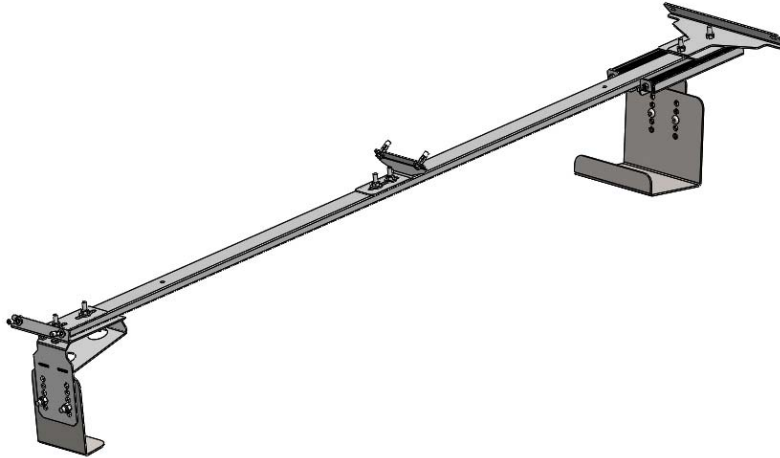


LADDER KEEPER, PMC



PRODUCT WEIGHT
28 LBS

WIDTH x DEPTH x HEIGHT
12" x 70" x 10"

CAPACITY
6 FOOT

STEP LADDER
COLOR
GRAY

CATALOG NUMBER
LK-PMC

PRODUCT FEATURES

This ladder keeper is specific to the Promaser city vehicle and will accommodate a 6 foot step ladder only.

This ladder keep is centered on the vehicle and utilizes the same front fastener locations as the partition panel.

SEE PAGE 2 FOR APPLICATION NOTES AND ACCESSORIES, OTHER PRODUCTS THAT WORK WITH THIS UNIT.



CATALOG NUMBER LK-PMC

PRODUCT APPLICATION

This ladder keeper is specific to the Promaser city vehicle and will accommodate a 6 foot step ladder only.

ACCESSORIES THAT WILL WORK WITH THIS PRODUCT

CATALOG NUMBER

DESCRIPTION

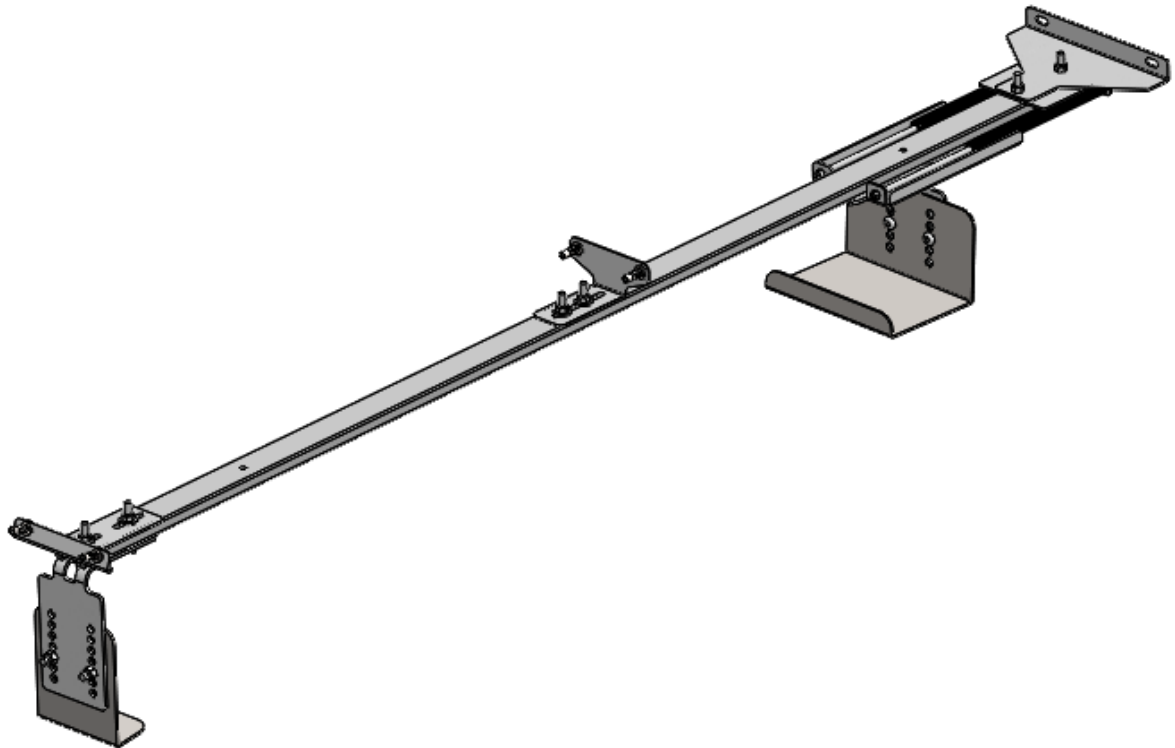
SPECIAL APPLICATION NOTES

Introduction / Comments:

THIS INTERIOR LADDER KEEPER IS DESIGNED FOR THESE PECIFIC VEHICLES ONLY AND WILL ONLY WORK WITH STANDARD 6 FOOT LADDERS.

Note:

It is advised that all fasteners used in this assembly and installation of this Rack should be checked for tightness at the following intervals: @ 2-weeks and again @ 6-weeks of operation. This preventive maintenance step must be completed to ensure your package gives you long service life.



**LK-PMC / LK-TCL
INTERIOR LADDER KEEPER
PROMASTER CITY / TRANSIT CONNECT LWB**

- PRECAUTIONS -



CAUTION
THE USE OF AIR IMPACT TOOLS CAN
OVER-TORQUE FASTENERS AND
CAUSE FASTENER FAILURE!



CAUTION
ALL INSTALLATION HOLES SHOULD BE SEALED
WITH SILICON OR BUTYL SEALANT TO PREVENT
EXHAUST FUMES FROM ENTERING THE VEHICLE!



DANGER
INSPECT FOR FUEL TANK, FUEL LINES, BRAKE LINES, HIGH
VOLTAGE BATTERIES AND ELECTRICAL LINES PRIOR TO
DRILLING TO AVOID DAMAGING CRITICAL VEHICLE SYSTEMS
OR INJURY TO INSTALLER DURING INSTALLATION PROCESS!



CAUTION
TO AVOID DAMAGING THE VEHICLE ALWAYS USE DRILL
STOPS WHEN DRILLING ANY INSTALLATION HOLES!
ADRIAN AVAILABLE PART #'S 31119-0 (3/8" X 1/2"
DEEP), 31121-0 (1/2" x 1/2" DEEP)



- IMPORTANT WARRANTY REQUIREMENTS -

1. SUBSTITUTING ADRIAN STEEL SPECIFIED FASTENERS FOR ASSEMBLY AND/OR INSTALLATION WILL VOID YOUR PRODUCT WARRANTY.
2. ALL HOLES DRILLED INTO VEHICLE SHOULD HAVE THE RAW METAL EDGES SEALED WITH A SELF-ETCHING PRIMER TO RESIST CORROSION AND POTENTIAL FASTENER POINT FAILURE.
3. ALL FASTENERS USED IN THE INSTALLATION OF THIS PRODUCT SHOULD BE TIGHTENED TO THE TORQUE(S) SPECIFIED IN THESE INSTRUCTIONS.
4. THESE INSTRUCTIONS SHOULD BE KEPT WITH THE VEHICLE.

THE BASIC TOOLS NEEDED FOR MOST INSTALLATIONS



DRILL



DRILL BIT WITH
STOP



RATCHET, SOCKETS
AND/OR WRENCHES



SCREWDRIVERS

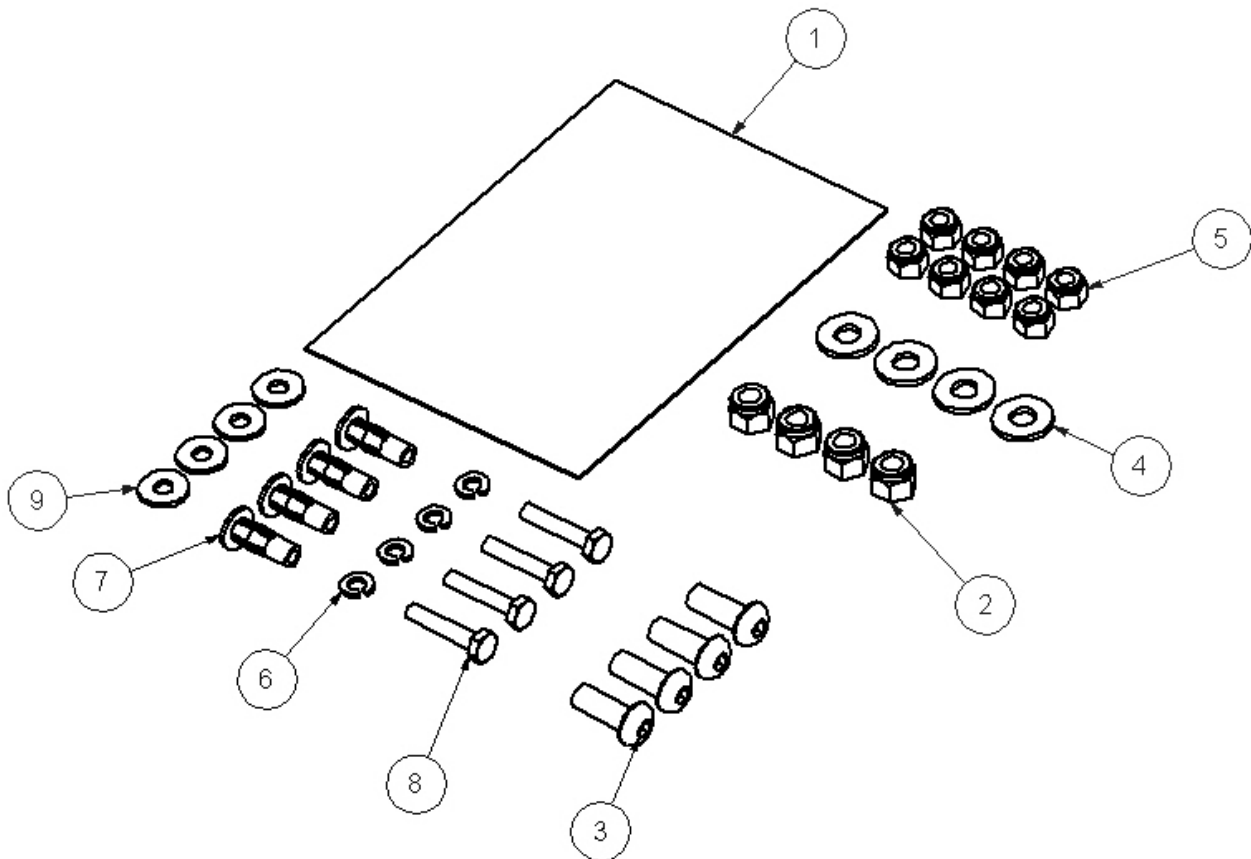


MEASURING TAPE

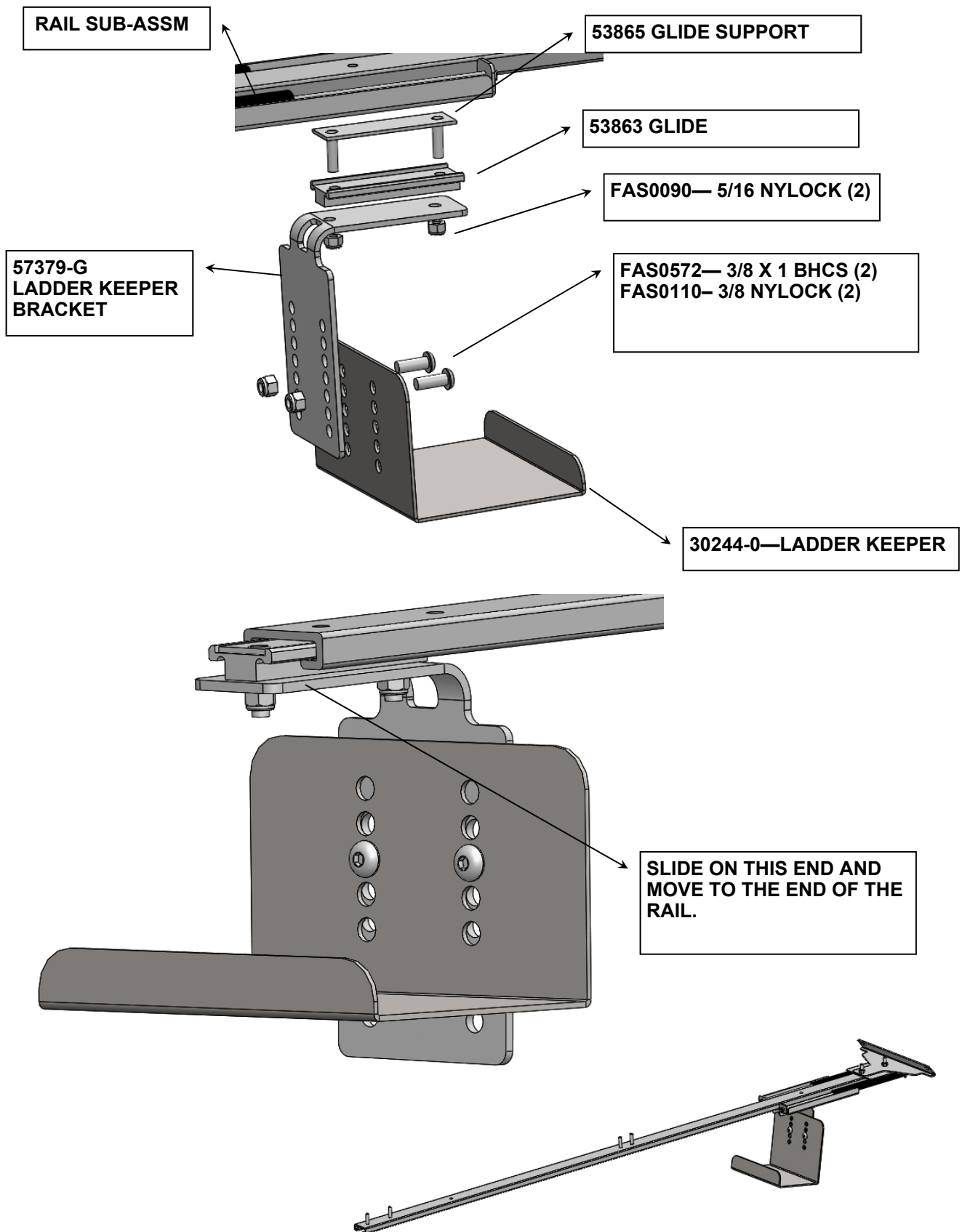
ADDITIONAL TOOLS MAY BE NEEDED FOR THIS INSTALLATION AND THEY WILL BE IDENTIFIED IN THE STEPS THAT FOLLOW.

BAG54151 - FASTENER BAG

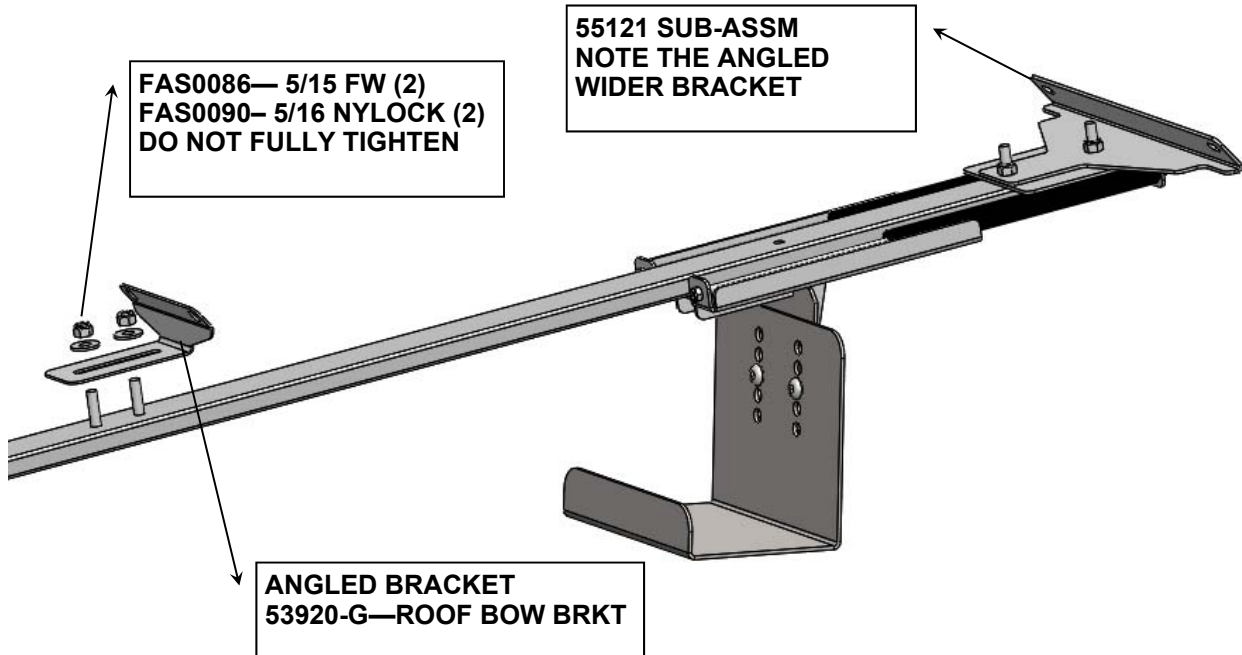
ITEM NO.	PART NUMBER	DESCRIPTION	QTY.
1	BAG0507-A	5" x 7" 3MIL AUTOBAG	1
2	FAS0110	Nut,Hex Nytk 3/8-16 SS W	4
3	FAS0572	Screw, Button Hd Hex Soc, 3/8-16x1.00 NI-ZN	4
4	FAS0086	WASHER,FLAT USS 5/16 ZP	4
5	FAS0090	Nut, Nylon Insert Lock, 5/16-18, Zi	8
6	FAS0060	Washer, Lock, Split, 1/4	4
7	FAS0052	Plusnut, 1/4	4
8	FAS0073	Screw, Hex Hd, 1/4-20x1.25 Zn Plate, Grade 5	4
9	FAS0067	Washer, Flat, 1/4	4



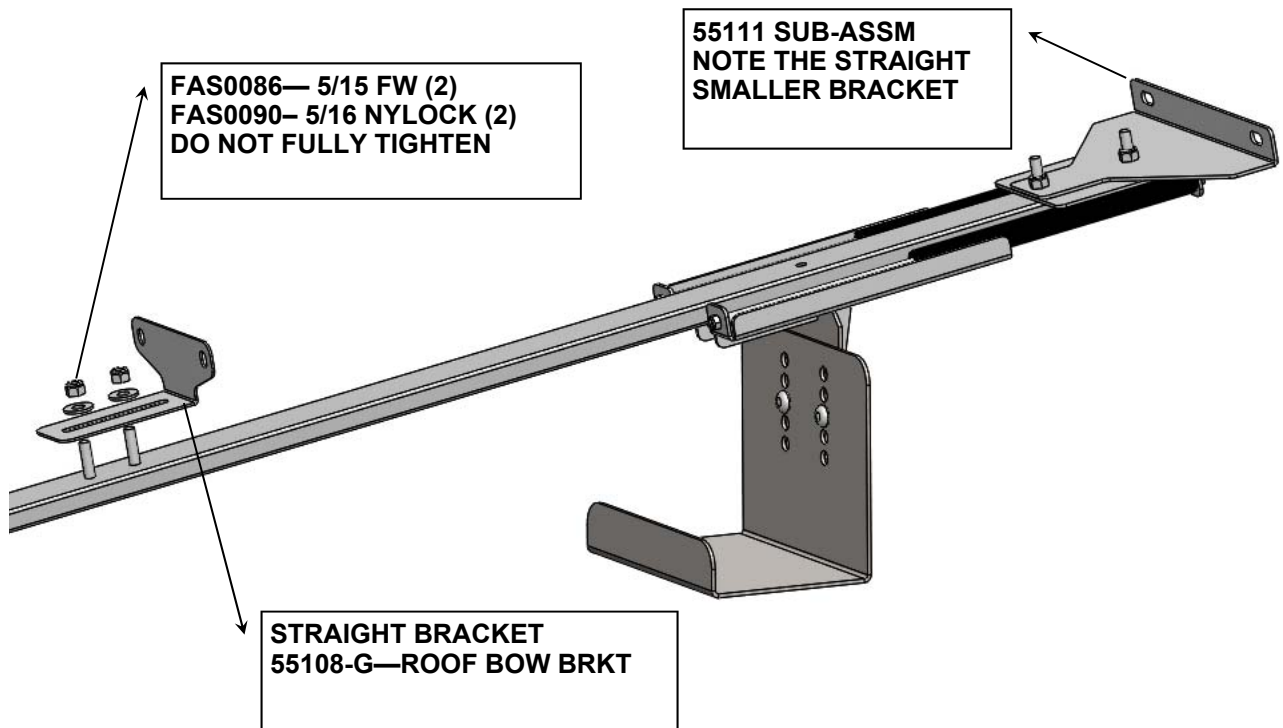
STEP #1 : SUB ASSEMBLE LADDER KEEPER



STEP #2 : ADD CENTER SUPPORT—NOTE WHICH VEHICLE YOU HAVE



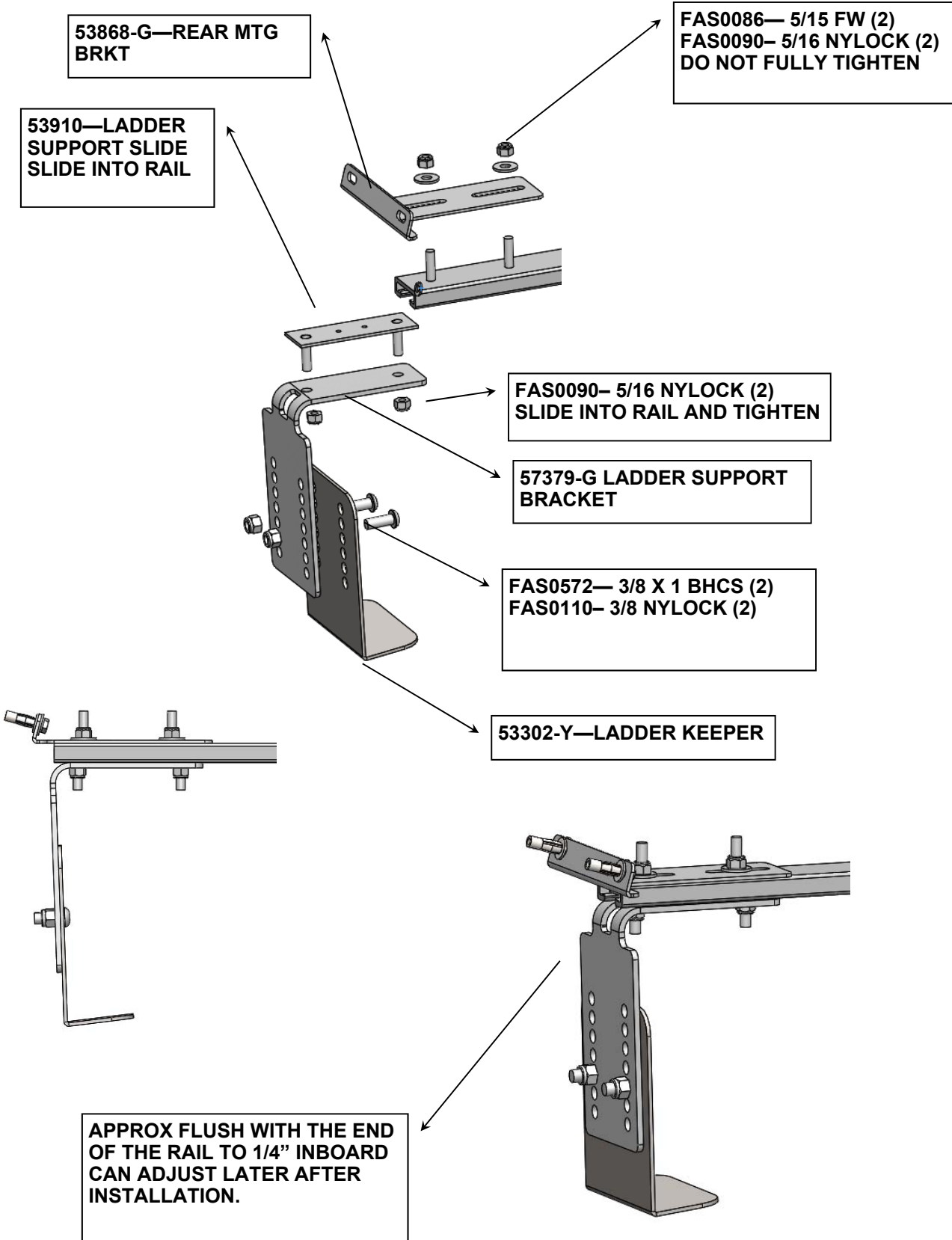
STEP #2A: PROMASTER CITY SHOWN



STEP #2B: TRANSIT CONNECT LWB

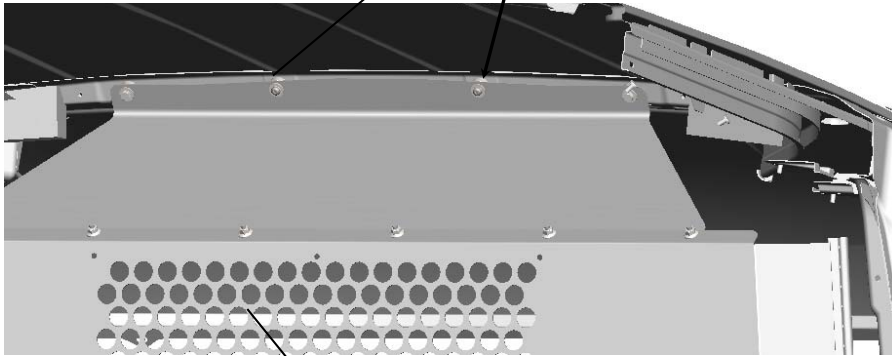


STEP #3: ASSEMBLE THE REAR PART OF THE LADDER KEEPER—SAME FOR BOTH THE PMC AND TRANSIT CONNECT LWB



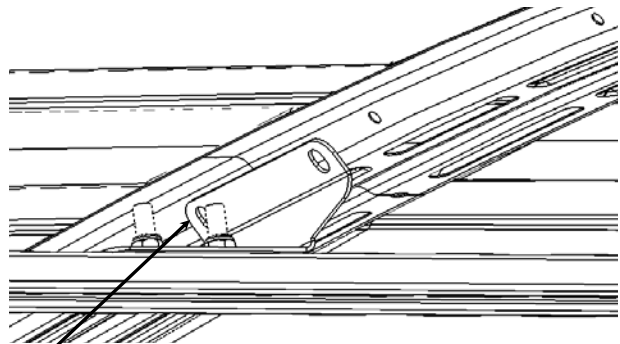
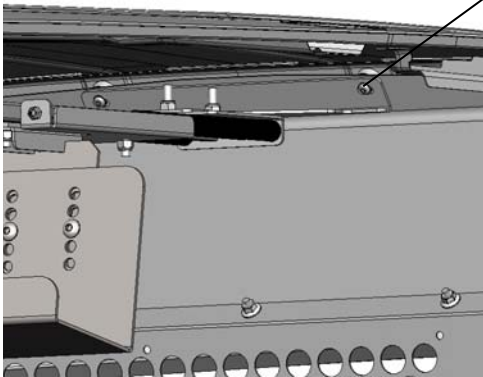
**STEP #4: REMOVE A FEW FASTENERS IN YOUR INSTALLED PARTITION
LOCATE AND TRANSFER REAR AND MID MTG LOCATIONS**

REMOVE THESE TWO FASTENERS AND
SET ASSIDE FOR LATER USE.
PROMASTER CITY OR TRANSIT CONNECT



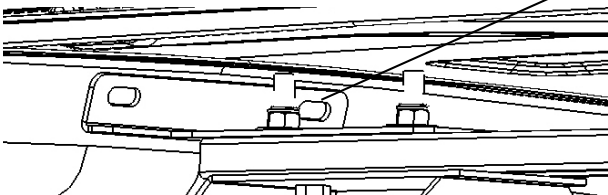
SHOWING A STEEL PARTITION
IN THE PROMASTER CITY

WITH HELP HOLDING THE LADDER
KEEPER, LIGHTY TIGHTEN FASTENERS
TO TEMPORARILY HOLD IN PLACE.

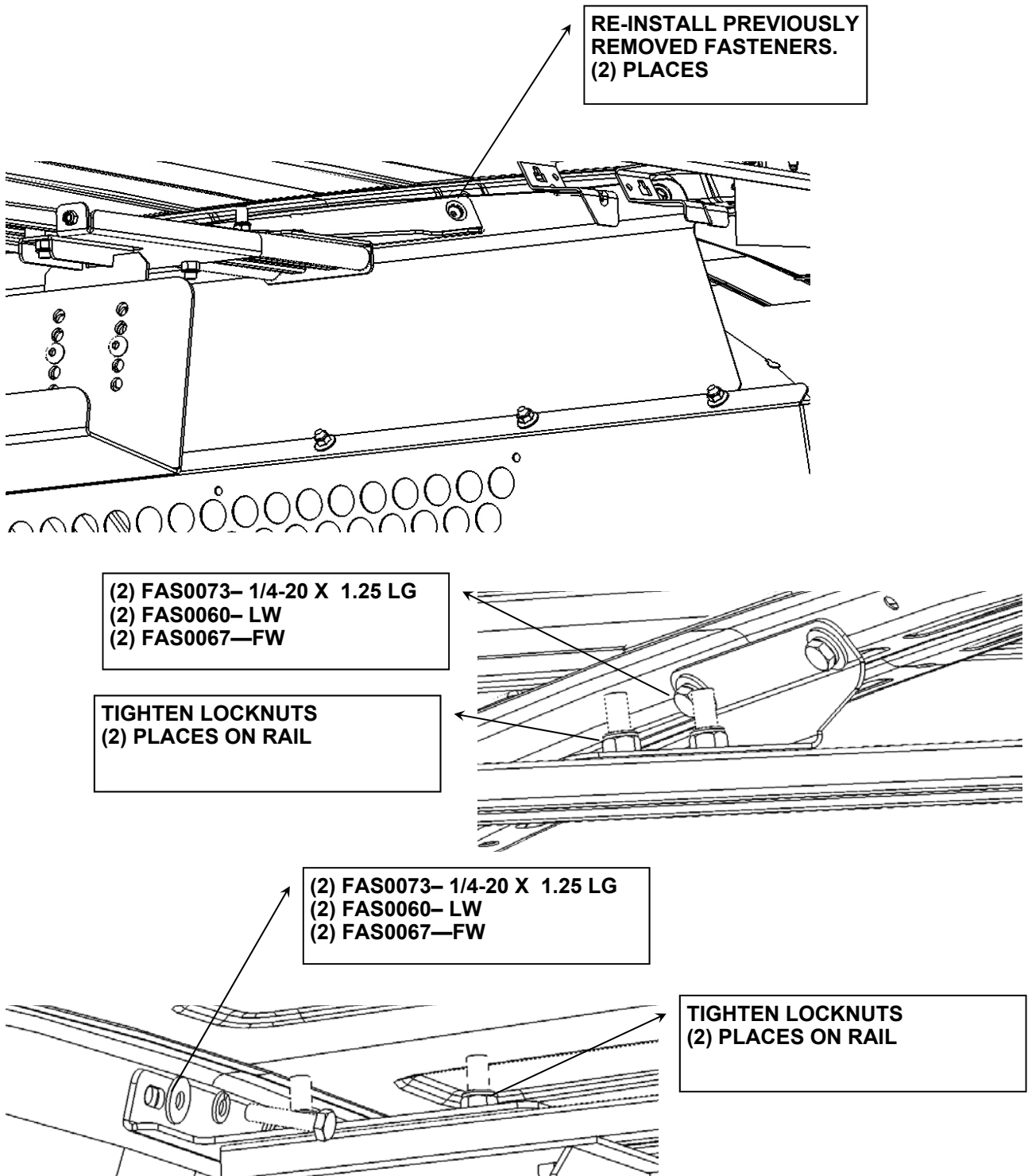


TRANSFER MOUNTING HOLES
(2) AT REAR LOCATION
(3) AT THE MIDDLE ROOF BOW

ADD FAS0052 PLUSNUT—1/4-20
(4) PLACES

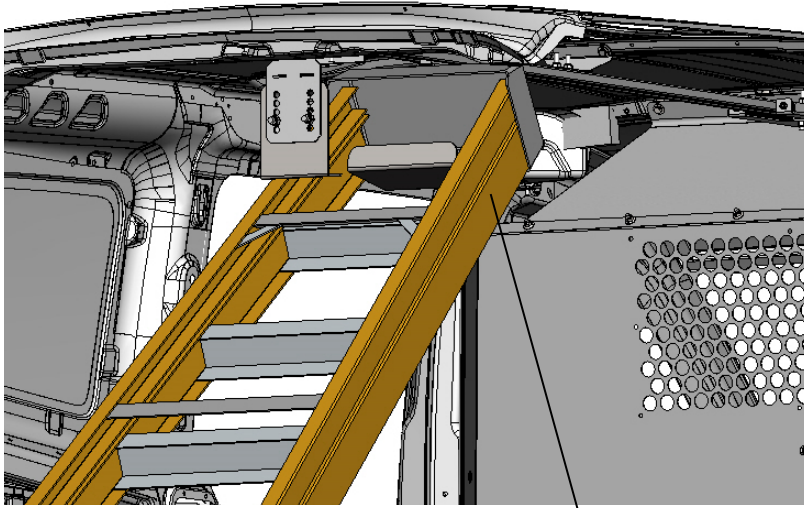


STEP #5: DRILL AND SET PLUSNUTS. INSTALL LADDER KEEPER





STEP #6: FINAL ADJUST THE LADDER TO YOUR VEHICLE

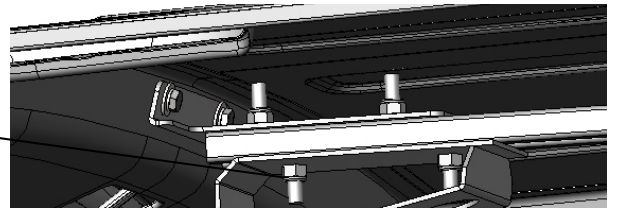


FROM THE REAR OF THE VEHICLE, PLACE THE TOP OF THE LADDER IN THE YELLOW PLASTISOL GUIDE BLOCK.



PUSH THE LADDER TOWARD THE PARTITION UNTIL THE GAS SHOCKS ARE COMPRESSED. PUT THE BOTTOM STEP INTO THE FIXED YELLOW PLASISOL CLAMP PAD

TO ADJUST, LOOSEN THESE TWO FASTENERS WITH AN OPEN END WRENCH AND MOVE AS REQUIRED. CAN BE ADJUSTED BACK ENOUGH TO TOUCH THE VEHICLE. BE CERTAIN THE LADDER DOES NOT HIT THE REAR GLASS ON THE VEHICLE.



STEP #7: YOUR INSTALLATION IS NOW COMPLETE

