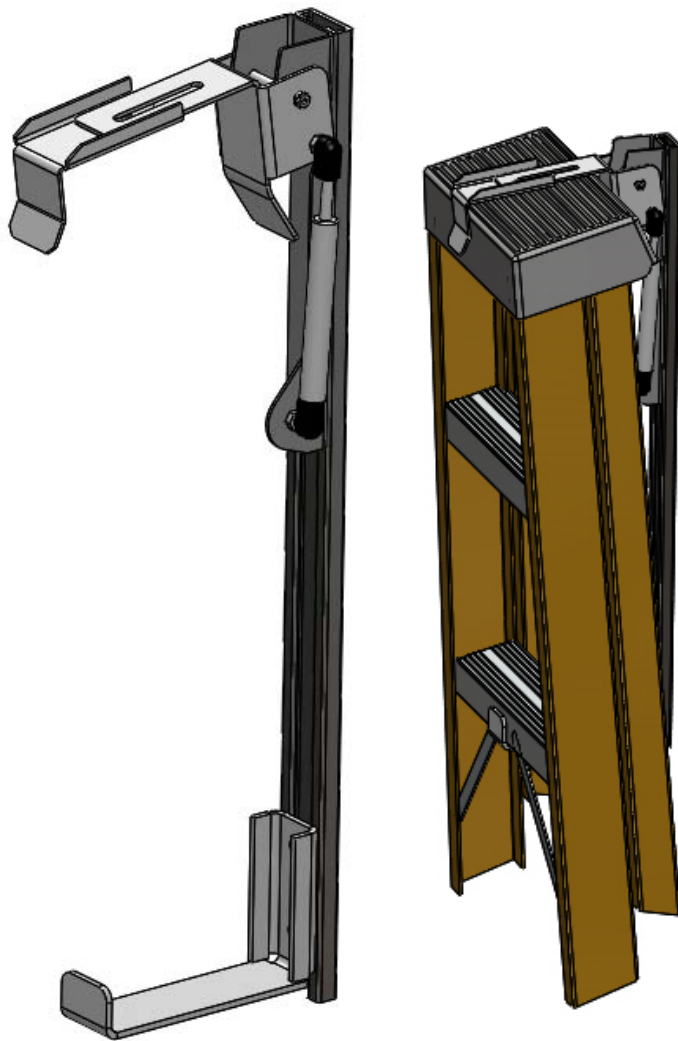


## Interior Ladder Rack, ILR



**PRODUCT WEIGHT**  
7 LBS

**WIDTH x DEPTH x HEIGHT**  
3.5" x 10" x 28.5"

**CAPACITY**  
1 Step Ladder

**COLOR**  
Gray & Black

**CATALOG NUMBER**  
ILR

### **PRODUCT FEATURES**

Rack for containing one Step Ladder in a vertical orientation inside a Van or Trailer. Size limit of Step Ladder will be determined by the interior height of the van. Rack automatically clamps onto ladder and holds it in place. Pulling ladder up and out releases clamp. Setting lower rung into bottom cradle and pushing top of ladder in initiates clamping. Plastics Cradle and Clamp protects ladders from damage and acts as silencer. Gas spring provides clamping force. Adjustable vertically and for ladder depth.

**SEE PAGE 2 FOR APPLICATION NOTES AND ACCESSORIES, OTHER PRODUCTS THAT WORK WITH THIS UNIT.**

### **PAGE 1 of 2**

The information contained in this document is the sole property of ADRIAN STEEL COMPANY. ADRIAN STEEL COMPANY retains the right to modify and/or change the product of its design at any time without prior notification.



**CATALOG NUMBER** ILR

***PRODUCT APPLICATION***

This product is designed to be installed on Partitions, Shelving Unit end panels, Cabinets, etc.

It is best suited for high roof vans and trailers.

***ACCESSORIES THAT WILL WORK WITH THIS PRODUCT***

**CATALOG NUMBER**

**DESCRIPTION**

N/A

***SPECIAL APPLICATION NOTES***

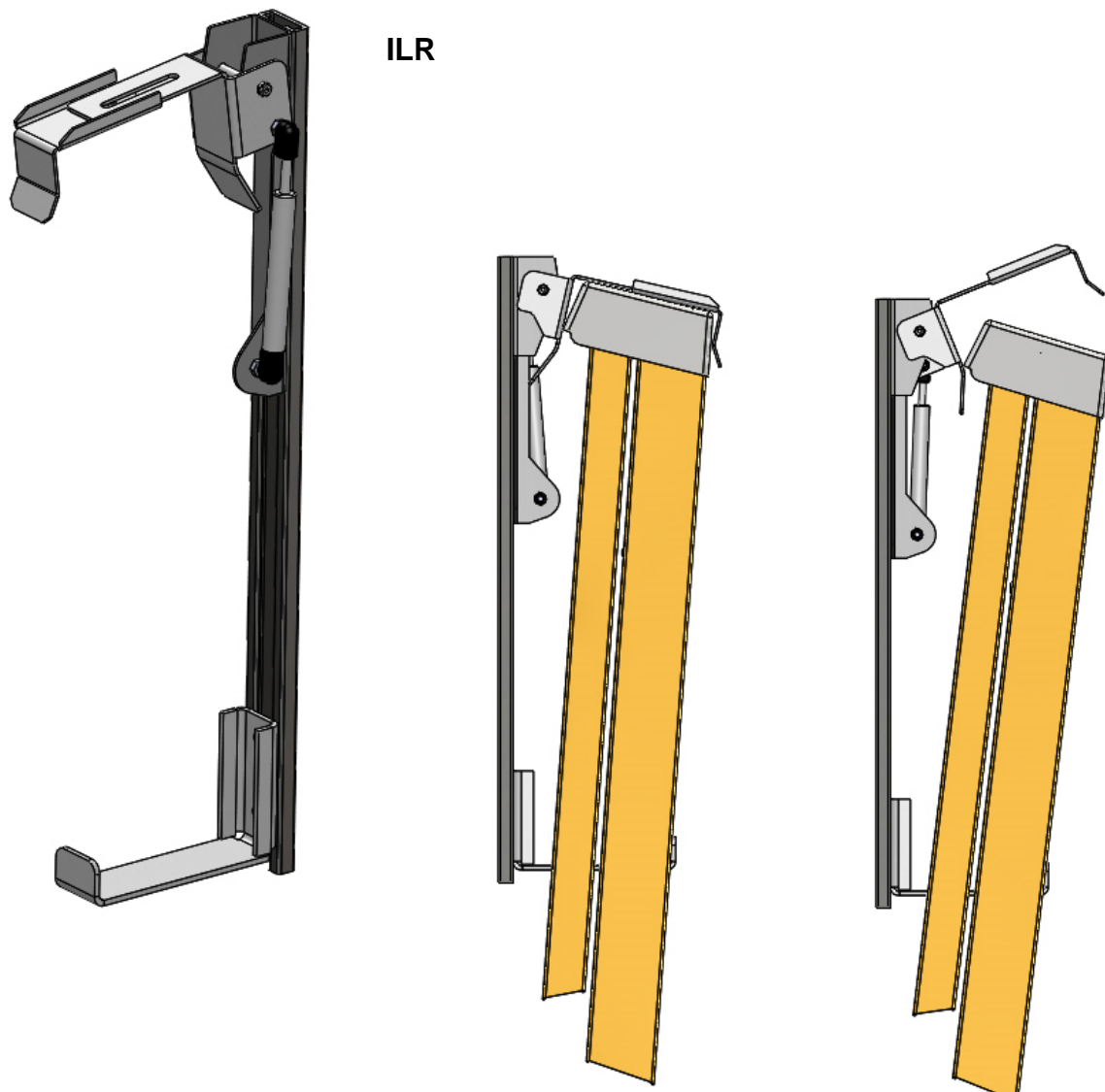
**Introduction / Comments:**

THE ILR IS DESIGNED TO PROVIDE A MEANS TO CARRY A LADDER VERTICALLY INSIDE A VEHICLE OR TRAILER. SIZE LIMIT OF STEP LADDER WILL BE DETERMINED BY THE INTERIOR HEIGHT OF THE VAN

BE SURE ANY LADDER IS PROPERLY SECURED IN THE RACK PRIOR TO MOVING VEHICLE.

**Note:**

It is advised that all fasteners used in this assembly and installation of this Rack should be checked for tightness at the following intervals: @ 2-weeks and again @ 6-weeks of operation. This preventive maintenance step must be completed to ensure your package gives you long service life.



ILR

ILR

**INTERIOR LADDER RACK, VERTICAL**

## - PRECAUTIONS -





 **CAUTION**   
**THE USE OF AIR IMPACT TOOLS CAN  
OVER-TORQUE FASTENERS AND  
CAUSE FASTENER FAILURE!**



 **CAUTION**   
**ALL INSTALLATION HOLES SHOULD BE SEALED  
WITH SILICON OR BUTYL SEALANT TO PREVENT  
EXHAUST FUMES FROM ENTERING THE VEHICLE!**



 **DANGER**   
**INSPECT FOR FUEL TANK, FUEL LINES, BRAKE LINES, HIGH  
VOLTAGE BATTERIES AND ELECTRICAL LINES PRIOR TO  
DRILLING TO AVOID DAMAGING CRITICAL VEHICLE SYSTEMS  
OR INJURY TO INSTALLER DURING INSTALLATION PROCESS!**



 **CAUTION**   
**TO AVOID DAMAGING THE VEHICLE ALWAYS  
USE DRILL STOPS WHEN DRILLING ANY IN-  
STALLATION HOLES!**



## - IMPORTANT WARRANTY REQUIREMENTS -

1. SUBSTITUTING ADRIAN STEEL SPECIFIED FASTENERS FOR ASSEMBLY AND/OR INSTALLATION WILL VOID YOUR PRODUCT WARRANTY.
2. ALL HOLES DRILLED INTO VEHICLE SHOULD HAVE THE RAW METAL EDGES SEALED WITH A SELF-ETCHING PRIMER TO RESIST CORROSION AND POTENTIAL FASTENER POINT FAILURE.
3. ALL FASTENERS USED IN THE INSTALLATION OF THIS PRODUCT SHOULD BE TIGHTENED TO THE TORQUE(S) SPECIFIED IN THESE INSTRUCTIONS.
4. THESE INSTRUCTIONS SHOULD BE KEPT WITH THE VEHICLE.

### THE BASIC TOOLS NEEDED FOR MOST INSTALLATIONS



DRILL



DRILL BIT WITH  
STOP



RATCHET, SOCKETS  
AND/OR WRENCHES



SCREWDRIVERS

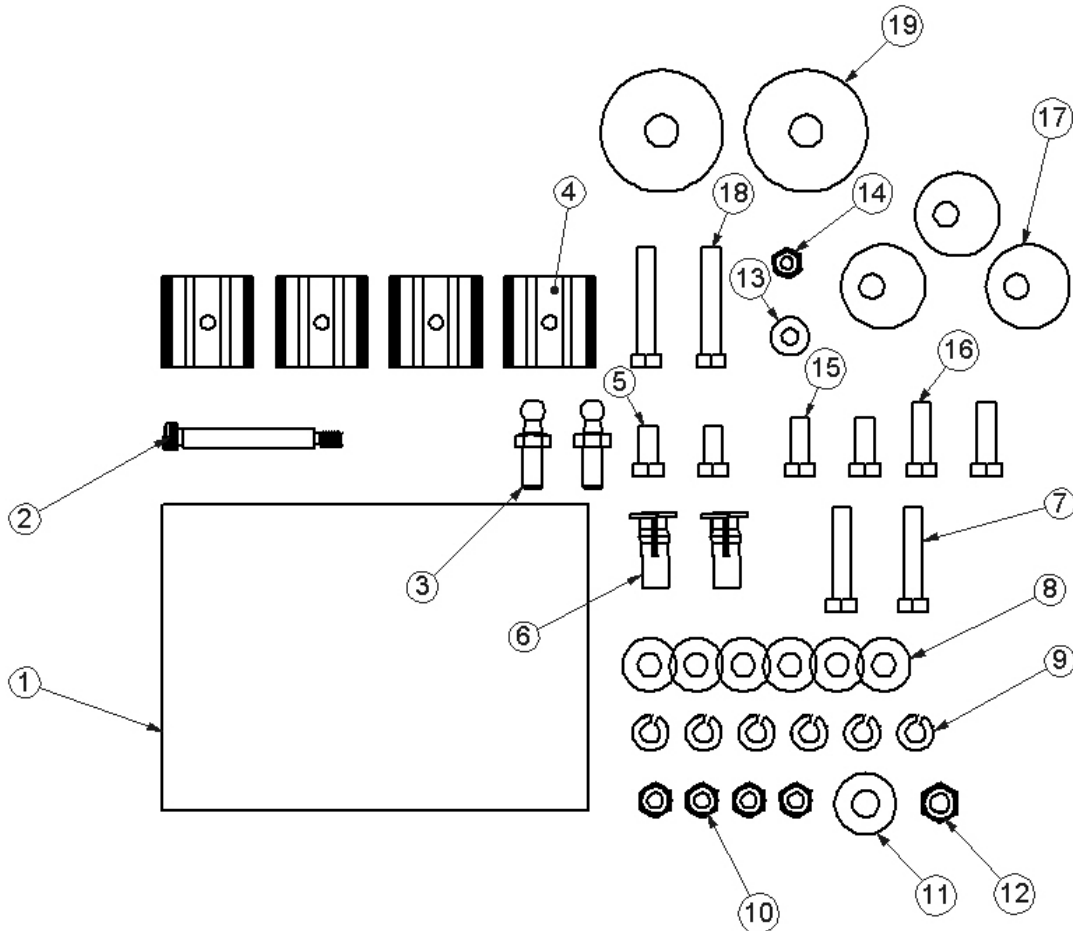


MEASURING TAPE

ADDITIONAL TOOLS MAY BE NEEDED FOR THIS INSTALLATION AND THEY WILL BE IDENTIFIED IN THE STEPS THAT FOLLOW.

**BAGILR**

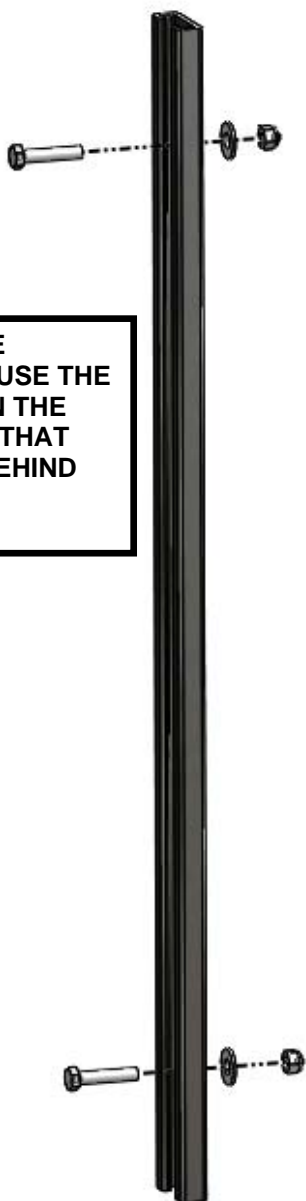
ITEM NO.	PART NUMBER	DESCRIPTION	BAGILR/QTY.
1	BAG0507-A	5" x 7" 3MIL AUTOBAG	1
2	17976-0	BOLT,SHOULDER,5/16X2.25 LG.	1
3	34750-0	PIVOT FITTING	2
4	35335-0	SLIDE	4
5	FAS0717	Screw, Hex Hd, 5/16-18x.625 SST	2
6	FAS0091	Plusnut, 5/16	2
7	FAS0242	Screw, Hex Hd, 5/16-18x1.50 Stainless Steel	2
8	FAS0552	Washer, Flat, 5/16, SST	6
9	FAS0588	Washer, Lock, Split, 5/16, SS	6
10	FAS0248	Nut, Nylon Insert Lock, 5/16-18 SST	4
11	FAS 0720	Washer, Flat 3/8 SS	1
12	FAS0110	Nut,Hex Nylk 3/8-16 SS W	1
13	FAS0234	Washer, Flat, 1/4, SST	1
14	FAS0125	Nut, Nylon Insert Lock, 1/4-20 SST	1
15	FAS0081	Screw, Hex Hd, 5/16-18x0.75 Zn Plate	2
16	FAS0082	Screw, Hex Hd, 5/16-18x1.00 ZN, YELLOW G8	2
17	21166-0	ECCENTRIC WASHER	3
18	FAS0591	Screw, Hex Hd, 5/16-18x1.75, Zn-Ni (1000 hour), Grade 5	2
19	37598-0	Spacer, Center Bow	2



**MOUNT RAIL WHERE YOU INTEND TO MOUNT LADDER RACK**

THE INTERIOR LADDER RACK CAN BE MOUNTED IN MULTIPLE PLACES AROUND YOUR VAN. THESE LOCATIONS INCLUDE THE PARTITION, END OR FRONT OF SHELVING UNITS AND CABINETS, AND ON THE WALLS OF THE VAN. THE RAIL IS RECOMMENDED TO BE INSTALLED APPROXIMATELY 22" FROM THE FLOOR OF THE VAN TO THE BOTTOM OF THE RAIL.

**Placement of ladder keeper should not interfere with air bag deployment.**



**WHEN MOUNTING TO THE PARTITION, BE SURE TO USE THE APPROPRIATE HOLES ON THE RAIL AND PARTITION SO THAT THE FASTENERS STAY BEHIND THE SEATS**

**THE FASTENER BAG INCLUDES MULTIPLE FASTENERS TO MOUNT THE RAIL TO THE DIFFERENT SURFACES.**

**FOR DIRECTLY MOUNTING THROUGH A PARTITION OR SHELVING UNIT USE:**  
 -FAS0082 5/16-18 X 1.00 HEX HD  
 -FAS0552 WASHER 5/16  
 -FAS0248 NUT,5/16

**FOR MOUNTING WITH THE USE OF EXTRA SPACERS INTO PARTITION OR SHELVING USE:**  
 -FAS0591 5/16-18 X 1.75 HEX HD  
 -FAS0248 NUT 5/16 -18  
**ALONG WITH THE SPACERS YOU CHOOSE TO USE:**  
 -FAS0552 WASHER 5/16  
 -37598-0 SPACER  
 -21166-0 ECCENTRIC WASHER

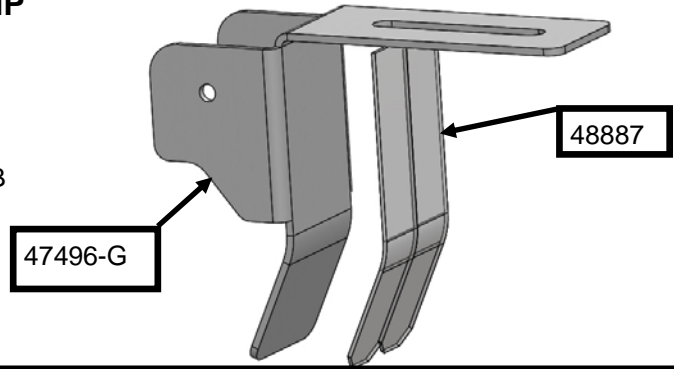
**FOR MOUNTING TO WALLS USE:**  
 -FAS0091 PLUSNUT 5/16  
 -FAS0242 5/16-18 X 1.5 HEX HD

**HOLES MAY NEED TO BE ADDED TO OR ENLARGED IN PARTITIONS, SHELVING, EXT. TO ACCOMMODATE 5/16" SCREWS. HOLE SIZE FOR PLUSNUTS IS Ø.500.**

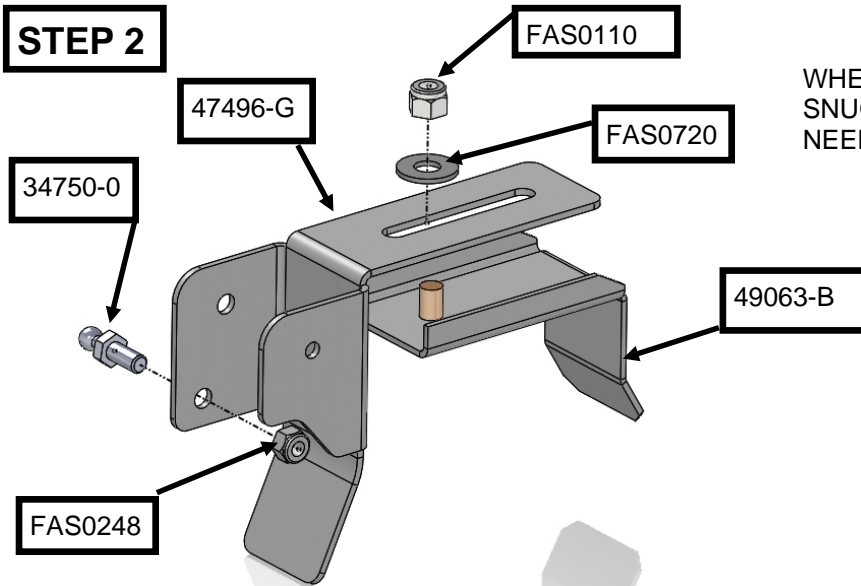
**ASSEMBLE THE UPPER CLAMP**

**STEP 1**

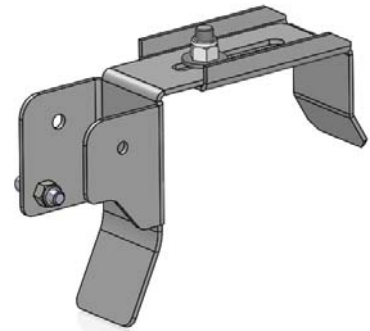
CUT (48887) TEFLON TAPE IN 2 STRIPS AND ATTACH TO 47497-B AS SHOWN



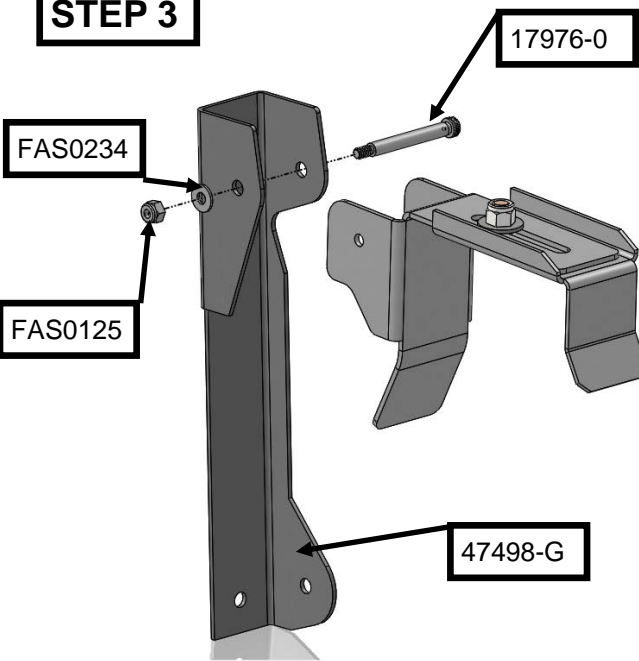
**STEP 2**



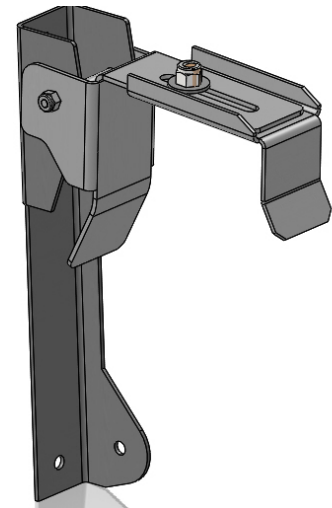
WHEN ATTACHING 49063-B TO 47496-G SNUG UP THE NUT, BUT 49063-B WILL NEED ADJUSTED LATER.



**STEP 3**



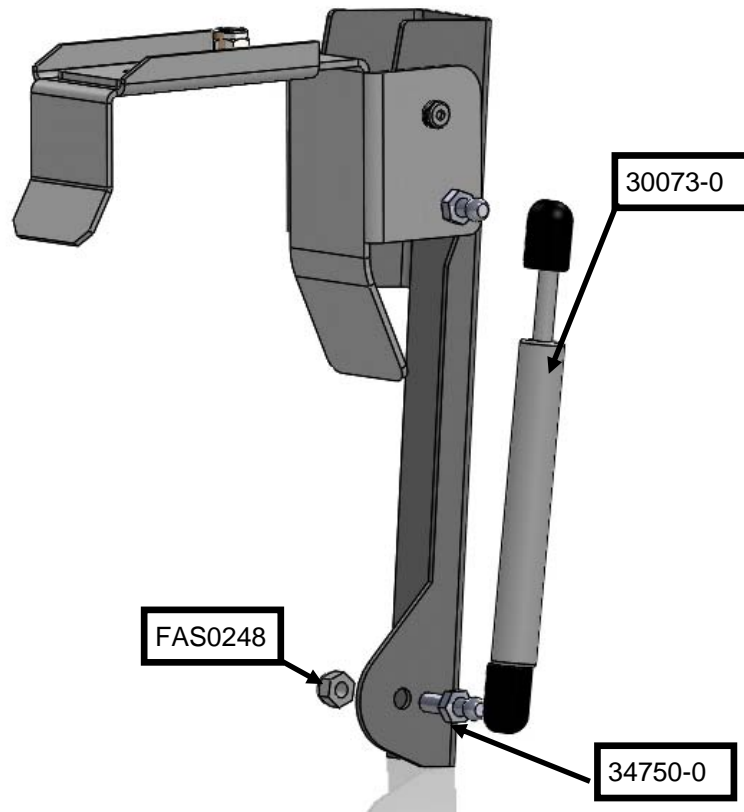
WHEN TIGHTENING 17976-0 MAKE SURE 47496-G WILL PIVOT.



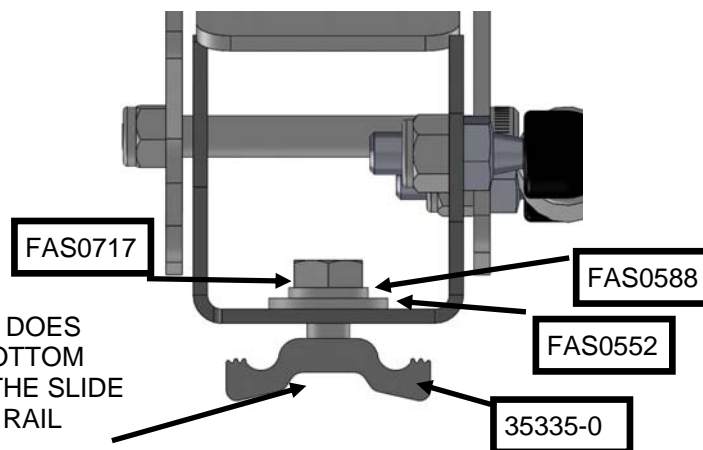
**ASSEMBLE THE UPPER CLAMP CONT.**

ATTACH THE LOWER PIVOT FITTING TO THE ASSEMBLY THE SAME AS THE TOP AND ATTACH 30073-0

**STEP 4**



**STEP 5**

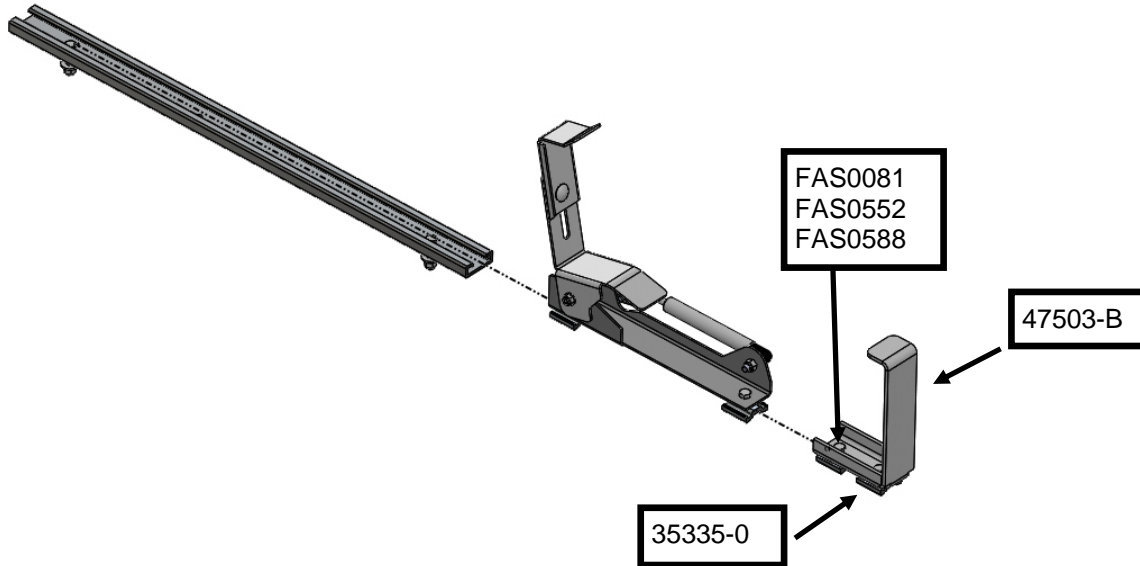


ENSURE THE BOLT DOES NOT CLEAR THE BOTTOM OF THE SLIDE OR THE SLIDE WILL NOT GO INTO RAIL PROPERLY

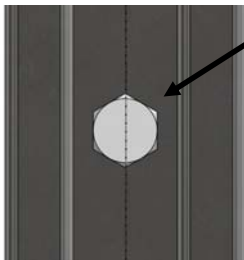


### ATTACH THE UPPER ASSEMBLY AND LOWER LADDER SUPPORT ONTO THE RAIL

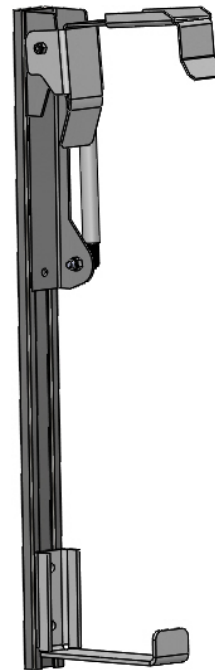
ATTACH THE SLIDES TO THE LOWER CLAMP (47503-B) ,USING FAS0081, THE SAME AS THE UPPER,  
MAKING SURE THE BOLT DOES NOT CLEAR THE BOTTOM OF THE SLIDES.



WHEN INSERTING THE TWO ASSEMBLIES ONTO THE RAIL MAKE SURE THE BOLT ON THE RAIL IS  
AS SHOWN BELOW SO THE SLIDE WILL PASS OVER WITHOUT INTERFERENCE.



THE TWO ASSEMBLIES WILL NEED TO BE ADJUSTED  
IN THE NEXT STEP

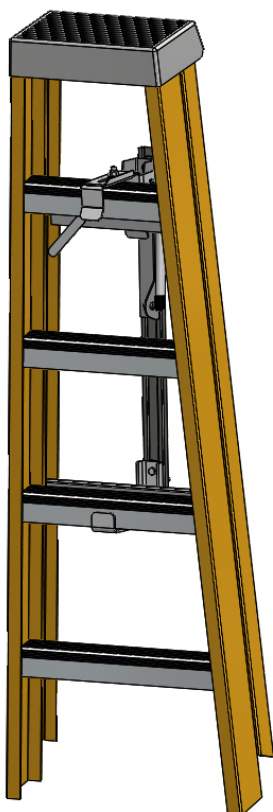
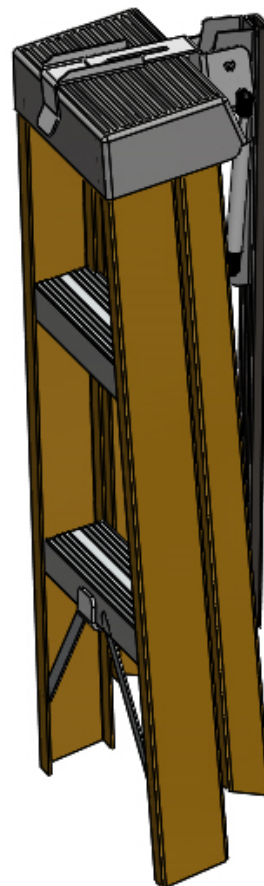


## HOW TO ADJUST THE LADDER RACK FOR DIFFERENT LADDERS

FOR STEP LADDERS PUT THE BOTTOM RUNG OF THE LADDER ON THE LOWER SUPPORT AND POSITION THE TOP ASSEMBLY AS SHOWN.

ADJUST 49063-B SO IT WRAPS AROUND THE HEAD OF THE LADDER

RACK AUTOMATICALLY CLAMPS ONTO LADDER AND HOLDS IT IN PLACE. PULLING LADDER UP AND OUT RELEASES CLAMP. SETTING LOWER RUNG INTO BOTTOM CRADLE AND PUSHING TOP OF LADDER IN INITIATES CLAMPING.



FOR 4' LADDERS AND LARGER ADJUST THE LOWER SUPPORT SO THE LADDER'S FEET TOUCH THE FLOOR, THIS WILL ACCOMMODATE THE TALLEST LADDER THAT WILL FIT IN VAN AS WELL AS RESIST TWISTING OF LADDER DURING TRANSPORT

ADJUST THE UPPER ASSEMBLY SO IT IS 2 RUNGS ABOVE THE LOWER SUPPORT

ADJUST 49063-B SO IT HOLDS ONTO THE RUNG OR HEAD OF THE LADDER AS SHOWN TO THE LEFT OR ABOVE

TIGHTEN ALL FASTENERS LOOSENED FOR ADJUSTMENT & TORQUE TO 10-12 FT LBS

**YOUR INSTALLATION IS NOW COMPLETE!  
STOW THIS COPY IN THE VEHICLE FOR FUTURE REFERENCE!**