



## Mounting Bracket Kit, 2-Pack, White, Express, Savana

PRODUCT WEIGHT  
**2.4 LBS**

HEIGHT OFF ROOF

**SEE TABLE BELOW**

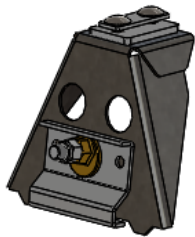
CAPACITY  
**REFER TO OEM'S  
RECOMMENDED LOAD  
RATING**

COLOR

**WHITE**

CATALOG NUMBER

**GMMBK2W**



### PRODUCT FEATURES

**GM Express/Savana galvanized steel mounting bracket kit for PROFILE™ HD Utility, grip lock, drop down, and combo ladder racks to add additional crossbows 2-Bar rack. Mounting kit works for both 135" and 155" wheelbase vehicles.**

**SEE PAGE 2 FOR APPLICATION NOTES AND ACCESSORIES, OTHER PRODUCTS THAT WORK WITH THIS UNIT.**

### PAGE 1 of 2

The information contained in this document is the sole property of ADRIAN STEEL COMPANY. ADRIAN STEEL COMPANY retains the right to modify and/or change the product of its design at any time without prior notification.



**CATALOG NUMBER      GMMBK2W**

**PRODUCT APPLICATION**

**This product is designed to be installed on GM Express/Savana vans. Works for HD Utility, grip lock, drop down, and combo ladder racks.**

**ACCESSORIES THAT WILL WORK WITH THIS PRODUCT**

CATALOG NUMBER	DESCRIPTION	CATALOG NUMBER	DESCRIPTION
GMMBK4W	Mounting Bracket Kit, 4-Pack, White, Express, Savana	4UPK4B	4" Upright Kit, 4-Pack, Black
2BARW	2-Crossbar Kit, 68", White, Full Size Van	4UPK2B	4" Upright Kit, 2-Pack, Black
1BARW	Single Crossbar Kit, 68", White, Full Size Van	6UPK4B	6" Upright Kit, 4-Pack, Black
70-1NGLR	4" End Cap for PVC Conduit	6UPK2B	6" Upright Kit, 2-Pack, Black
70-2NGLR	6" End Cap for PVC Conduit	9UPK4B	9" Upright Kit, 4-Pack, Black
80-1NGLR	Conduit Kit, 10w x 6h x 126d, Multiple Vehicles	9UPK2B	9" Upright Kit, 2-Pack, Black
80-2NGLR	Conduit Kit, 10w x 6h x 150d, Multiple Vehicles	RSK1B	Single Ratchet Upright Kit, 9"
		ULSKB	Single Ladder Stop Kit

**LADDER RACK HEIGHTS MEASURED FROM ROOF OF VEHICLE**

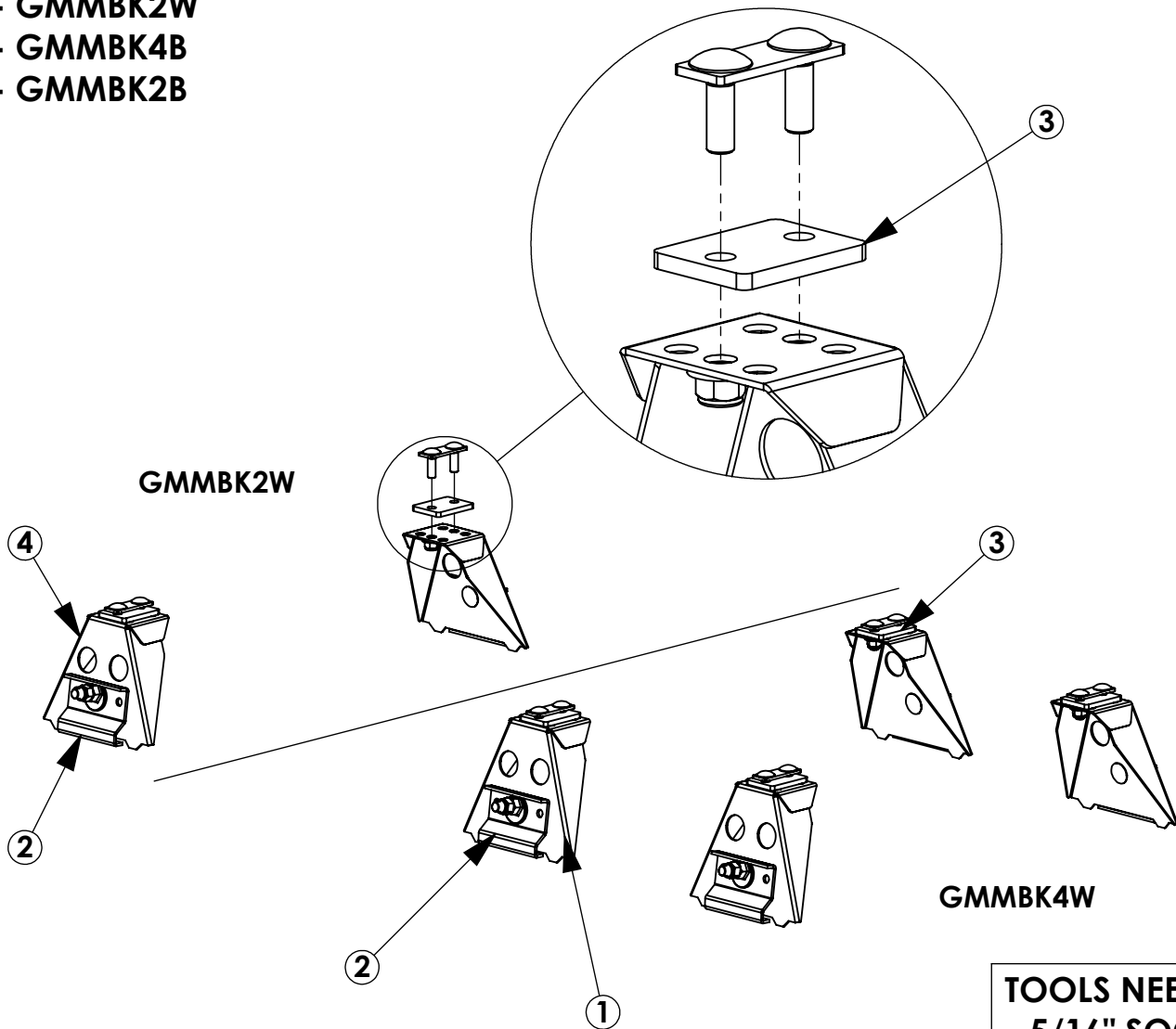
CONFIGURATION	RACK HEIGHT
Base Rack	4"
Base + Ladder Stop	9.5"
Base + 4" Uprights	7.5"
Base + 6" Uprights	9.5"
Base + 9"/Ratchet Uprights	12.5"
Base + 4" PVC Conduit Kit	8.4"
Base + 6" PVC Conduit Kit	10.4"
Base + Aluminum Box Conduit Kit	10.5"

INSTR. NUMBER : <b>63458</b>	PG: <b>1</b>	REV: <b>E</b>	ITEM NO.	PART NUMBER	DESCRIPTION	GMMBK4W	GMMBK2W
	PART NUMBER : <b>GMMBK4</b>		1	63856-W	UTILITY, GM MOUNT BRKT, WHITE	4	-
PART • UTILITY,MNT BKT KT,GM,2,W DESC. •			2	22856-0	FOOT CLAMP - GMT600,WHITE	4	2
			3	63933	UTILITY, COM MOUNT PLATE	4	2
			4	63905-W	UTILITY,GM MID MNT BKT, WHITE	-	2

**NOTE: THIS INSTRUCTION IS VALID FOR THE FOLLOWING KITS:**

- GMMBK4W
- GMMBK2W
- GMMBK4B
- GMMBK2B

- PART NUMBERS WITH "-W" SUFFIX ARE PAINTED WHITE  
 - FOR BLACK MOUNTING KITS, REPLACE "-W" PARTS WITH "-B" PARTS



- TOOLS NEEDED:**
- 5/16" SOCKET
  - 9/16" SOCKET
  - 1/2" SOCKET
  - 5/8" WRENCH
  - DRIVE RATCHET
  - IMPACT DRIVER
  - TAPE MEASURE

**GET TO KNOW THE VEHICLE** - AT THE BEGINNING OF ANY INSTALLATION, CHECK THE LOCATION OF THE FUEL TANK, FUEL LINES, BRAKE LINES, HIGH VOLTAGE BATTERIES AND WIRING HARNESSSES TO AVOID INJURY OR PROPERTY DAMAGE FROM TOOL CONTACT.

**SEAL ALL EXTERIOR HOLES** - ALL INSTALLATION HOLES SHOULD BE SEALED WITH BUTYL TAPE OR SILICON TO PREVENT WATER AND EXHAUST GASES FROM ENTERING THE VEHICLE.

**CONTROL DRILL DEPTH** - TO AVOID DAMAGE TO THE VEHICLE, USE A DRILL STOP OR CLEARED STEP BIT WHEN DRILLING INSTALLATION HOLES.

**ALWAYS ADD PRIMER** - WHEN ADDING INSTALLATION HOLES BE SURE TO USE A SELF-ETCHING PRIMER TO PREVENT CORROSION, FASTENER FAILURE AND INJURY.

**MOUNTING POINTS MUST HAVE METAL-TO-METAL CONTACT** - USE PROVIDED MOUNTING SPACERS TO ACCOMMODATE FOR VEHICLE FEATURES, CARPET OR SUBFLOORS.

**PROVIDE CLEARANCE FOR SPACERS** - IF THE INSTALLATION VEHICLE CONTAINS A CARPET OR SUBFLOOR, USE A 1-3/16" DIAMETER CARPET CUTTER (P/N: 31183-0) AT ALL MOUNTING LOCATIONS TO OPEN UP ROOM FOR SPACERS.

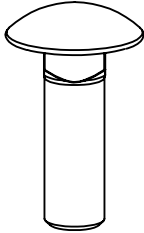
**CHECK SPACER ORIENTATION** - BE SURE THAT THE INDENT IN THE SPACER COVERS THE PLUSNUT HEAD; THIS ENSURES THE MOST METAL-TO-METAL CONTACT AND REDUCES VIBRATION.

**PLUSNUT INSTALLATION** - A PLUSNUT GUN IS RECOMMENDED FOR PLUSNUT INSTALLATION FOR ITS PRODUCTION SPEED. HOWEVER, A PLUSNUT SETTING TOOL CAN ALSO BE USED (P/N: 22200-0).

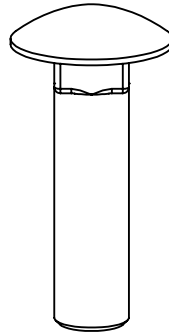
**THRU-BOLT CLEARANCE** - WHEN USING A THRU-BOLT AT ANY MOUNTING LOCATION, BE SURE THAT YOUR HOLE HAS 1/16" CLEARANCE.

**FASTENERS AND HARDWARE USED**

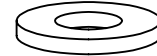
**BAG REFERENCE: BAG64733**



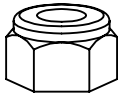
**FAS0398  
5/16-18X1 SS  
CRG BOLT  
QTY: 8**



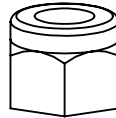
**FAS0117  
3/8-16X1.5 ZN  
CRG BOLT  
QTY: 4**



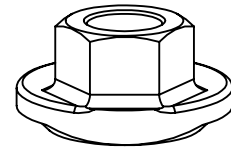
**FAS0552  
5/16 SS  
FLAT WASHER  
QTY: 8**



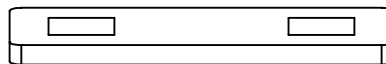
**FAS0248  
5/16-18 SS  
NLK HH NUT  
QTY: 8**



**FAS0110  
3/8-16 SS  
NLK HH NUT  
QTY: 4**



**07466-0  
ADJUSTING  
CAM NUT  
QTY: 4**



**63934  
UTILITY,  
BOLT PLATE  
QTY: 4**

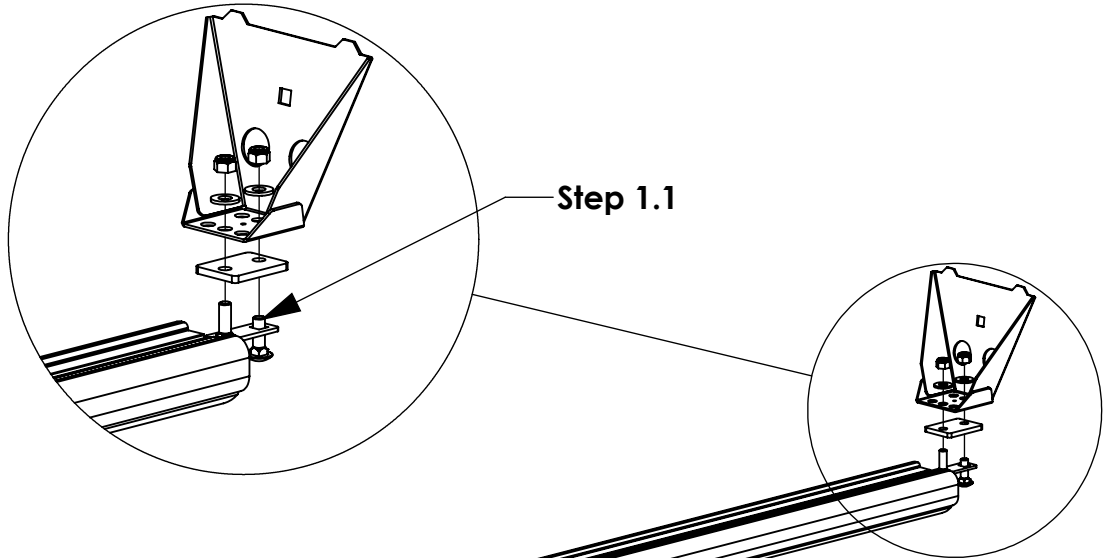
***INTENTIONALLY LEFT BLANK***



**CHECK TABLES 1-4 IN INSTRUCTION 68895 FOR ADDITIONAL ACCESSORY SLIDE INSTALLATION BEFORE INSTALLING MOUNTING BRACKETS (ALL A.2 ITEMS SHOULD BE COMPLETELY INSTALLED FIRST!)**

**STEP 1 - ASSEMBLE MOUNTING BRACKETS TO CROSSBOW**

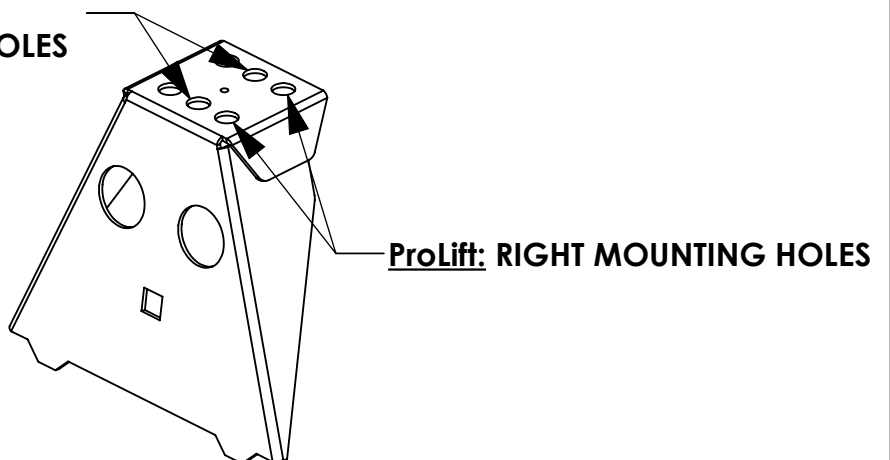
**STEP 1.1  
LOOSELY  
ASSEMBLE UNTIL  
AFTER STEP 3  
(2) FAS0398, (2)  
FAS0552,  
(2) FAS0248,  
63934  
(2 PLACES PER  
CROSSBOW)  
1/2" SOCKET**



**MOUNTING HOLES TO USE**

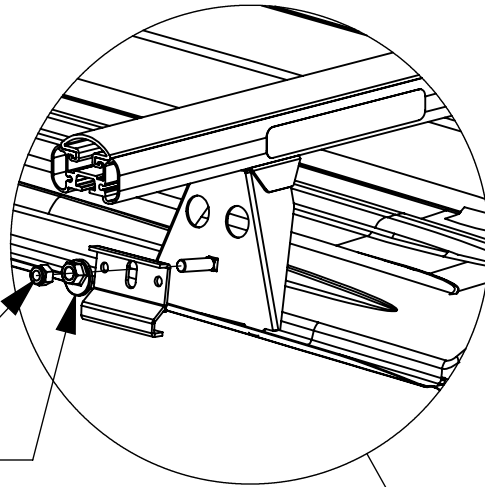
**HD UTILITY: CENTER MOUNTING HOLES**

**GRIP-LOCK: CENTER MOUNTING HOLES**



**STEP 2 - INSTALL CROSSBOW ASSEMBLY ON VEHICLE ROOF**

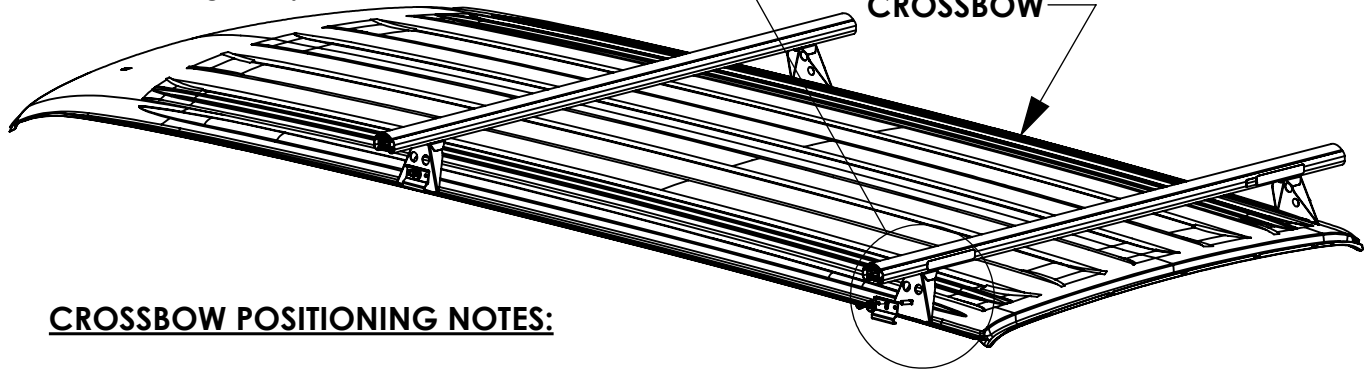
**STEP 2.1  
FULLY TIGHTEN  
FAS0110, 07466-  
0, FAS0117  
(2 PLACES PER  
CROSSBOW)  
9/16" SOCKET  
5/8" WRENCH**



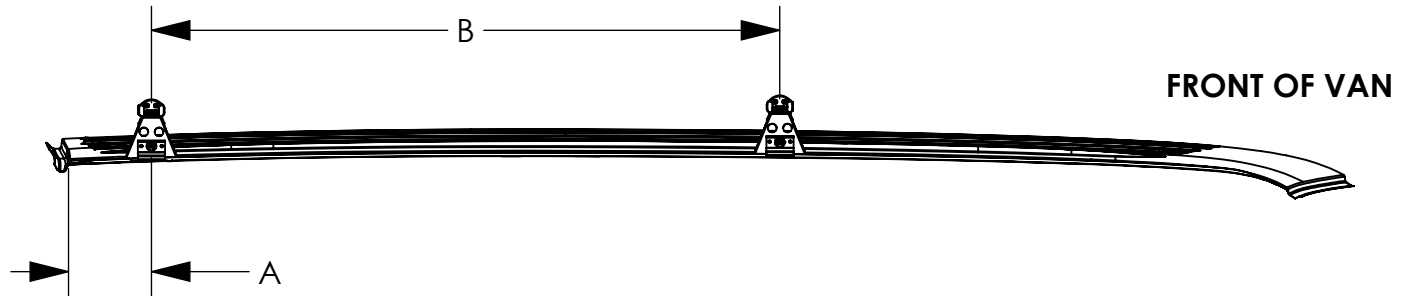
Step 2.1

**DO NOT  
OVERTIGHTEN  
ECCENTRIC  
WASHER!**

**IF INSTALLING A THIRD CROSSBOW:  
USE SHORTER MOUNTING BRACKET  
(63905-W) FOR THE MIDDLE  
CROSSBOW**



**CROSSBOW POSITIONING NOTES:**



**\*\*\* THESE DIMENSIONS ARE SUGGESTIONS, PLEASE  
SPACE CROSSBOWS TO BEST FIT END USER'S PRODUCT**

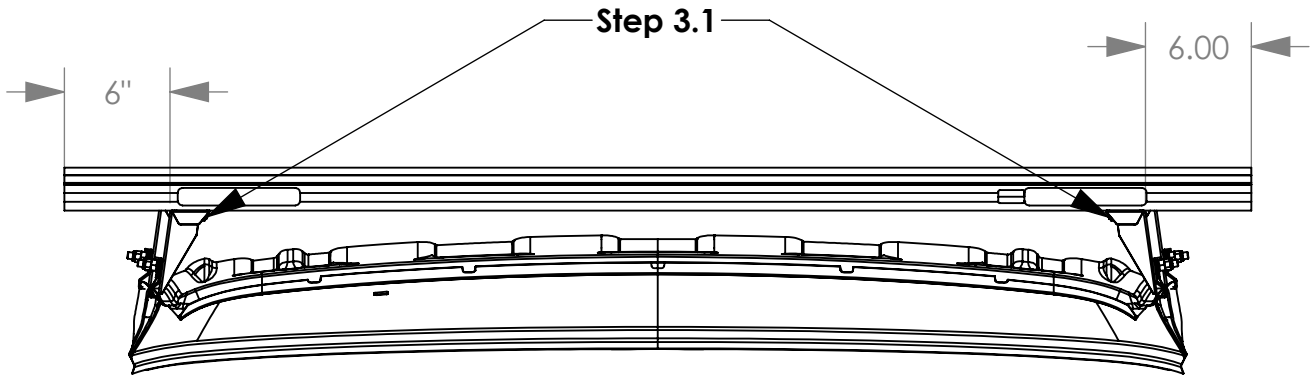
DIMENSION	A - REAR CROSSBOW	B - FRONT CROSSBOW
HD UTILITY RACK	9 1/2"	72" ***
HD UTILITY RACK W/ REAR ROLLER	20 5/8"	72" ***
GRIP-LOCK	9 1/2"	76 3/8"
ProLift	9 1/2"	76 3/8"



**STEP 3 - SECURE CROSSBOW**

**STEP 3.1  
CENTER CROSSBOW  
AND  
FULLY TIGHTEN  
BRACKETS FROM STEP  
1.1  
(4 PLACES PER  
CROSSBOW)  
1/2" SOCKET**

**HD UTILITY - 68 INCH CROSSBOW**



**MEASURE TO OUTSIDE EDGE OF MOUNTING BRACKET.**

**DISTANCES MAY CHANGE DUE TO LOCATION ON RAIL.**

**Grip-Lock / ProLift - 58 INCH CROSSBOW**

