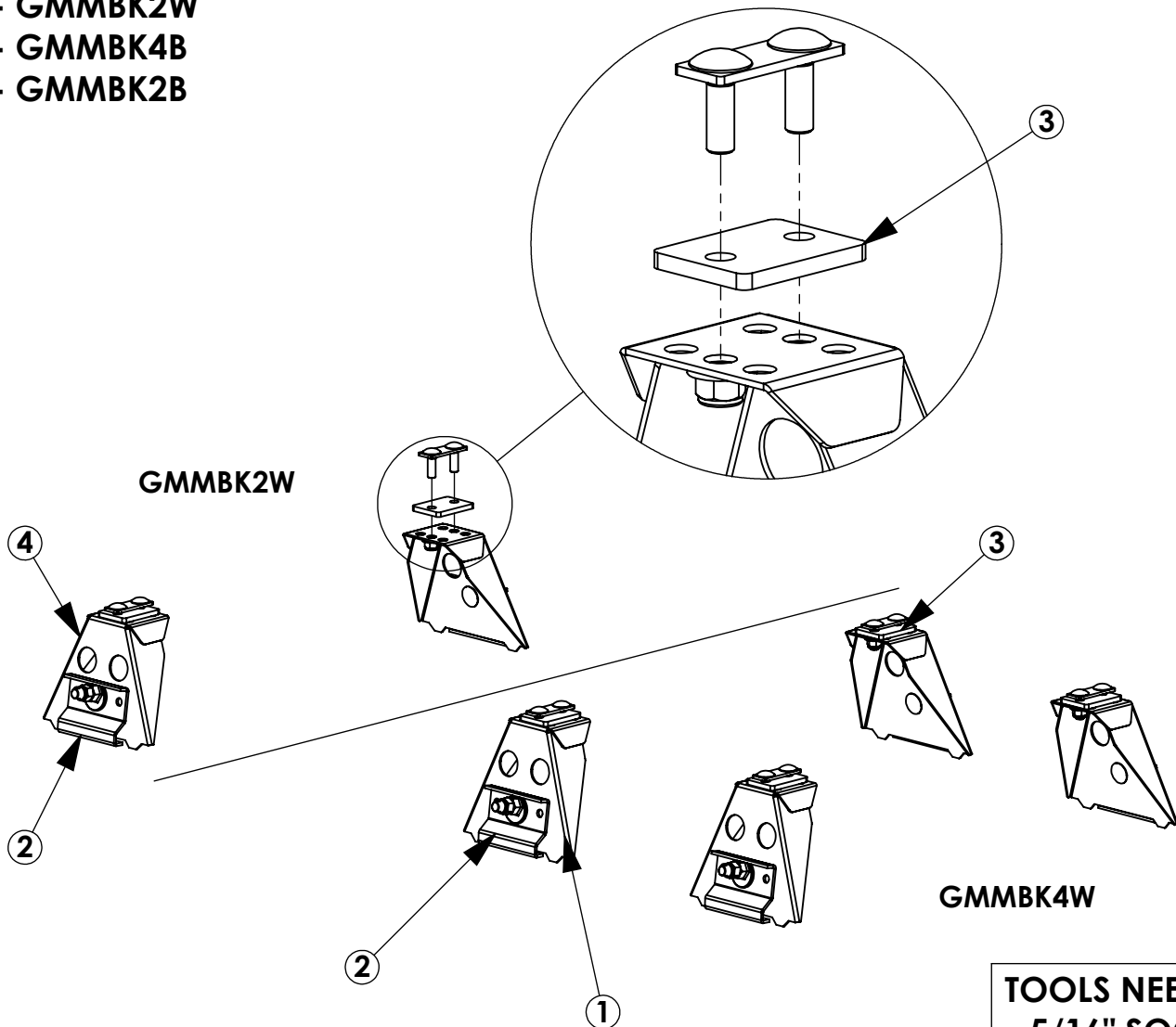


INSTR. NUMBER : <b>63458</b>	PG: <b>1</b>	REV: <b>E</b>	ITEM NO.	PART NUMBER	DESCRIPTION	GMMBK4W	GMMBK2W
	PART NUMBER : <b>GMMBK4</b>		1	63856-W	UTILITY, GM MOUNT BRKT, WHITE	4	-
PART • UTILITY,MNT BKT KT,GM,2,W DESC. •			2	22856-0	FOOT CLAMP - GMT600,WHITE	4	2
			3	63933	UTILITY, COM MOUNT PLATE	4	2
			4	63905-W	UTILITY,GM MID MNT BKT, WHITE	-	2

**NOTE: THIS INSTRUCTION IS VALID FOR THE FOLLOWING KITS:**

- GMMBK4W
- GMMBK2W
- GMMBK4B
- GMMBK2B

- PART NUMBERS WITH "-W" SUFFIX ARE PAINTED WHITE  
 - FOR BLACK MOUNTING KITS, REPLACE "-W" PARTS WITH "-B" PARTS



- TOOLS NEEDED:**
- 5/16" SOCKET
  - 9/16" SOCKET
  - 1/2" SOCKET
  - 5/8" WRENCH
  - DRIVE RATCHET
  - IMPACT DRIVER
  - TAPE MEASURE

**GET TO KNOW THE VEHICLE** - AT THE BEGINNING OF ANY INSTALLATION, CHECK THE LOCATION OF THE FUEL TANK, FUEL LINES, BRAKE LINES, HIGH VOLTAGE BATTERIES AND WIRING HARNESES TO AVOID INJURY OR PROPERTY DAMAGE FROM TOOL CONTACT.

**SEAL ALL EXTERIOR HOLES** - ALL INSTALLATION HOLES SHOULD BE SEALED WITH BUTYL TAPE OR SILICON TO PREVENT WATER AND EXHAUST GASES FROM ENTERING THE VEHICLE.

**CONTROL DRILL DEPTH** - TO AVOID DAMAGE TO THE VEHICLE, USE A DRILL STOP OR CLEARED STEP BIT WHEN DRILLING INSTALLATION HOLES.

**ALWAYS ADD PRIMER** - WHEN ADDING INSTALLATION HOLES BE SURE TO USE A SELF-ETCHING PRIMER TO PREVENT CORROSION, FASTENER FAILURE AND INJURY.

**MOUNTING POINTS MUST HAVE METAL-TO-METAL CONTACT** - USE PROVIDED MOUNTING SPACERS TO ACCOMMODATE FOR VEHICLE FEATURES, CARPET OR SUBFLOORS.

**PROVIDE CLEARANCE FOR SPACERS** - IF THE INSTALLATION VEHICLE CONTAINS A CARPET OR SUBFLOOR, USE A 1-3/16" DIAMETER CARPET CUTTER (P/N: 31183-0) AT ALL MOUNTING LOCATIONS TO OPEN UP ROOM FOR SPACERS.

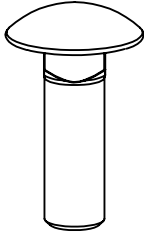
**CHECK SPACER ORIENTATION** - BE SURE THAT THE INDENT IN THE SPACER COVERS THE PLUSNUT HEAD; THIS ENSURES THE MOST METAL-TO-METAL CONTACT AND REDUCES VIBRATION.

**PLUSNUT INSTALLATION** - A PLUSNUT GUN IS RECOMMENDED FOR PLUSNUT INSTALLATION FOR ITS PRODUCTION SPEED. HOWEVER, A PLUSNUT SETTING TOOL CAN ALSO BE USED (P/N: 22200-0).

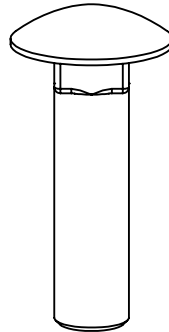
**THRU-BOLT CLEARANCE** - WHEN USING A THRU-BOLT AT ANY MOUNTING LOCATION, BE SURE THAT YOUR HOLE HAS 1/16" CLEARANCE.

**FASTENERS AND HARDWARE USED**

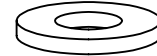
**BAG REFERENCE: BAG64733**



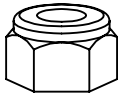
**FAS0398  
5/16-18X1 SS  
CRG BOLT  
QTY: 8**



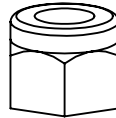
**FAS0117  
3/8-16X1.5 ZN  
CRG BOLT  
QTY: 4**



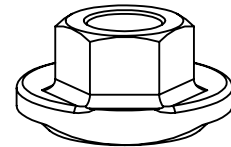
**FAS0552  
5/16 SS  
FLAT WASHER  
QTY: 8**



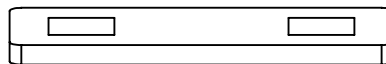
**FAS0248  
5/16-18 SS  
NLK HH NUT  
QTY: 8**



**FAS0110  
3/8-16 SS  
NLK HH NUT  
QTY: 4**



**07466-0  
ADJUSTING  
CAM NUT  
QTY: 4**



**63934  
UTILITY,  
BOLT PLATE  
QTY: 4**

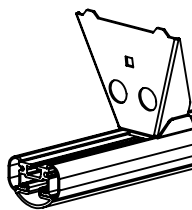
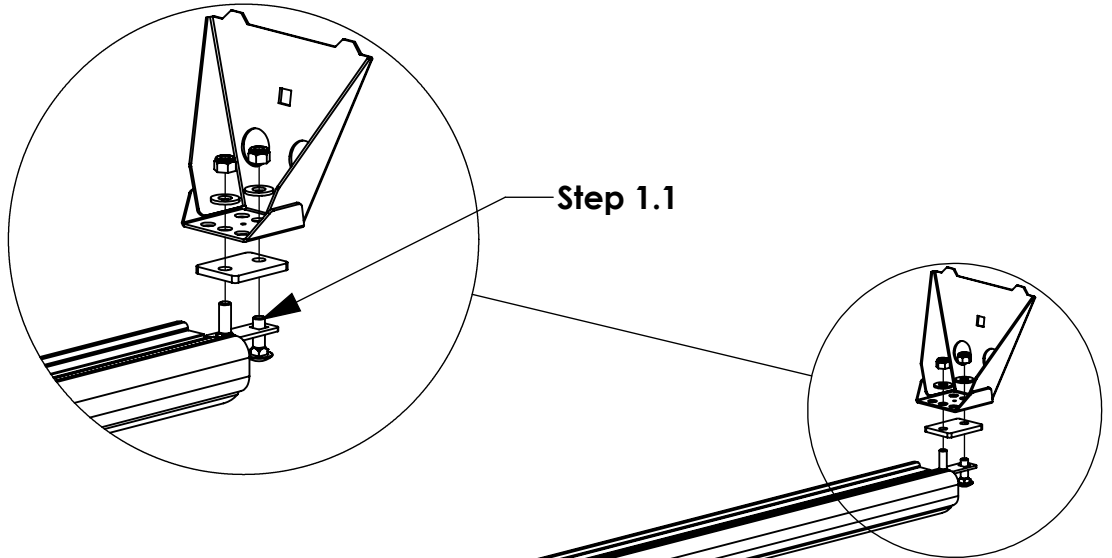
***INTENTIONALLY LEFT BLANK***



**CHECK TABLES 1-4 IN INSTRUCTION 68895 FOR ADDITIONAL ACCESSORY SLIDE INSTALLATION BEFORE INSTALLING MOUNTING BRACKETS (ALL A.2 ITEMS SHOULD BE COMPLETELY INSTALLED FIRST!)**

**STEP 1 - ASSEMBLE MOUNTING BRACKETS TO CROSSBOW**

**STEP 1.1  
LOOSELY  
ASSEMBLE UNTIL  
AFTER STEP 3  
(2) FAS0398, (2)  
FAS0552,  
(2) FAS0248,  
63934  
(2 PLACES PER  
CROSSBOW)  
1/2" SOCKET**

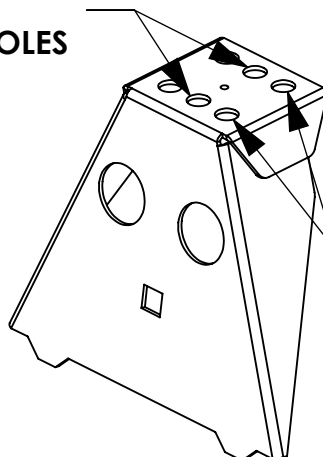


**ACCESSORY SLIDES AND BOLTS WILL NEED TO BE INSERTED BEFORE MOUNTING BRACKETS. CHECK ACCESSORY KITS FOR HARDWARE AND FASTENERS**

**MOUNTING HOLES TO USE**

**HD UTILITY: CENTER MOUNTING HOLES**

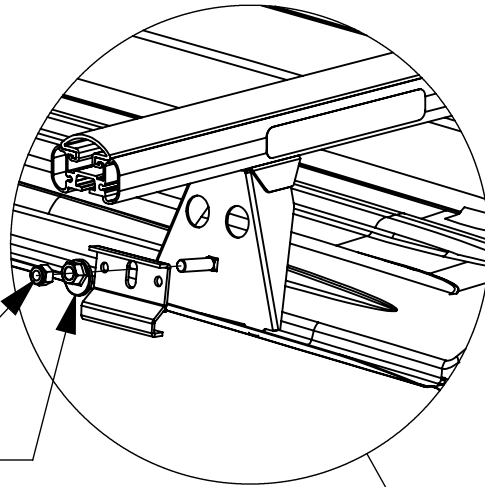
**GRIP-LOCK: CENTER MOUNTING HOLES**



**ProLift: RIGHT MOUNTING HOLES**

**STEP 2 - INSTALL CROSSBOW ASSEMBLY ON VEHICLE ROOF**

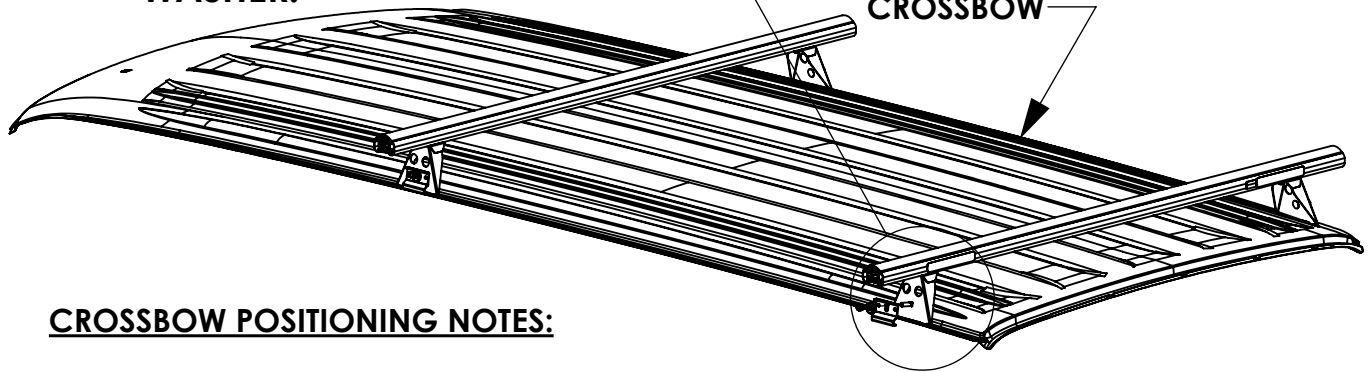
**STEP 2.1  
FULLY TIGHTEN  
FAS0110, 07466-  
0, FAS0117  
(2 PLACES PER  
CROSSBOW)  
9/16" SOCKET  
5/8" WRENCH**



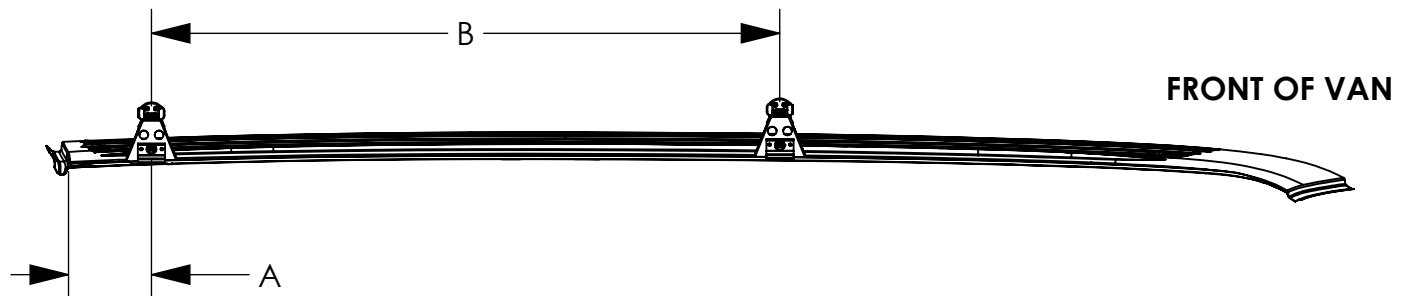
Step 2.1

**DO NOT  
OVERTIGHTEN  
ECCENTRIC  
WASHER!**

**IF INSTALLING A THIRD CROSSBOW:  
USE SHORTER MOUNTING BRACKET  
(63905-W) FOR THE MIDDLE  
CROSSBOW**



**CROSSBOW POSITIONING NOTES:**



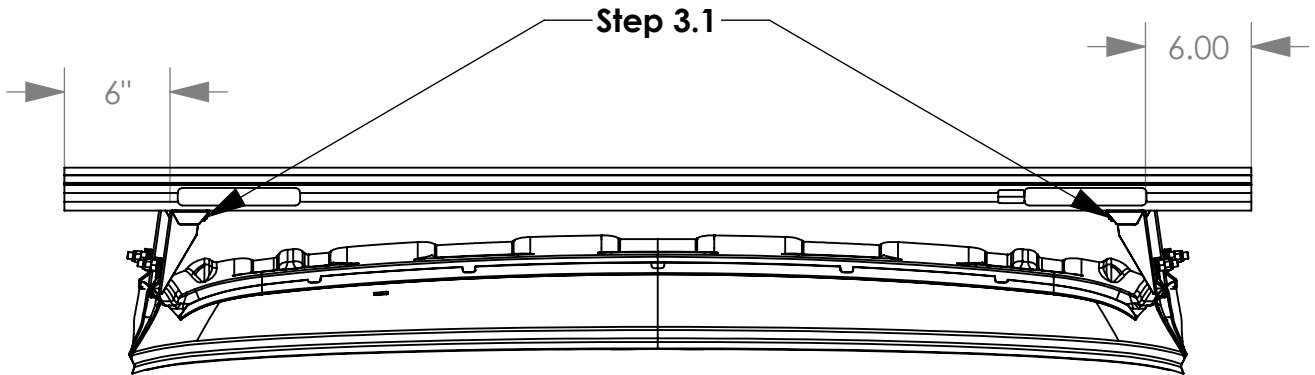
**\*\*\* THESE DIMENSIONS ARE SUGGESTIONS, PLEASE  
SPACE CROSSBOWS TO BEST FIT END USER'S PRODUCT**

DIMENSION	A - REAR CROSSBOW	B - FRONT CROSSBOW
HD UTILITY RACK	9 1/2"	72" ***
HD UTILITY RACK W/ REAR ROLLER	20 5/8"	72" ***
GRIP-LOCK	9 1/2"	76 3/8"
ProLift	9 1/2"	76 3/8"

**STEP 3 - SECURE CROSSBOW**

**STEP 3.1  
CENTER CROSSBOW  
AND  
FULLY TIGHTEN  
BRACKETS FROM STEP  
1.1  
(4 PLACES PER  
CROSSBOW)  
1/2" SOCKET**

**HD UTILITY - 68 INCH CROSSBOW**



**MEASURE TO OUTSIDE EDGE OF MOUNTING BRACKET.**

**DISTANCES MAY CHANGE DUE TO LOCATION ON RAIL.**

**Grip-Lock / ProLift - 58 INCH CROSSBOW**

