

PRODUCT WEIGHT

4.25 lbs

WIDTH x DEPTH x HEIGHT

8" x 20" x 7"

CAPACITY

6, 7 & 8 FT STEP

COLOR

Aluminum / Black

CATALOG NUMBER

GLSLKFSV

PRODUCT FEATURES

This Grip lock step ladder kit is designed to adapt to the 61-GL2 SERIES and 63-GL2 SERIES grip lock ladder racks.

This step ladder kit will get you move to any location along the new grip lock rack. This will allow you to carry shorter ladders on your vehicle.

This step ladder kit will accommodate a 6, 7 and 8 foot step ladder and on the extension ladders, a 12, 14 and 16 foot standard.

SEE PAGE 2 FOR APPLICATION NOTES AND ACCESSORIES, OTHER PRODUCTS THAT WORK WITH THIS UNIT.

CATALOG NUMBER GLSLKFSV

PRODUCT APPLICATION

This Grip lock step ladder kit is designed to adapt to the 61-GL2 SERIES and 63-GL2 SERIES grip lock ladder racks.

ACCESSORIES THAT WILL WORK WITH THIS PRODUCT

CATALOG NUMBER

DESCRIPTION

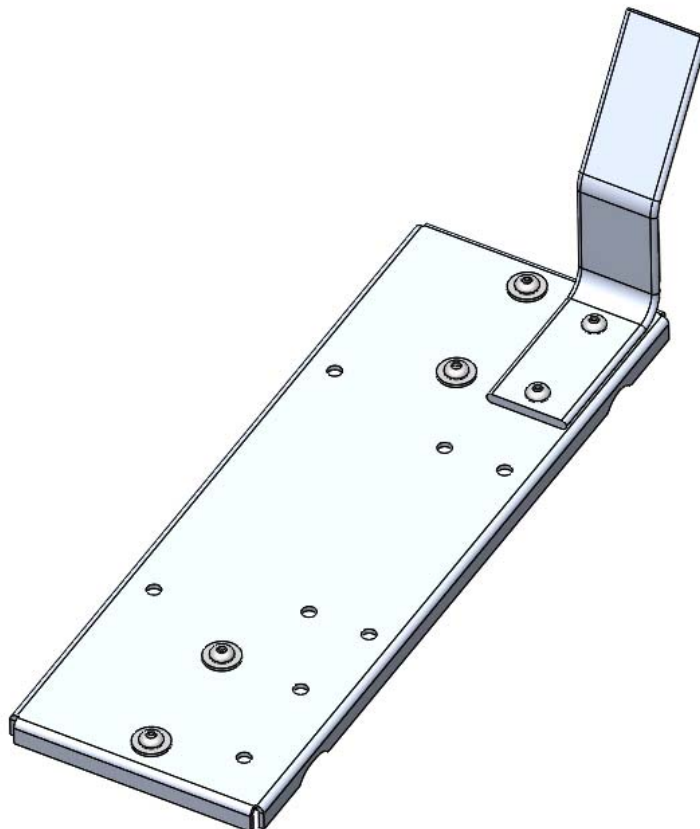
SPECIAL APPLICATION NOTES

Introduction / Comments:

THIS GRIP LOCK STEP LADDER KIT IS DESIGNED TO ADAPT TO YOUR GM GRIP LOCK AND CROSS BOW KIT.

Note:

It is advised that all fasteners used in this assembly and installation of this Rack should be checked for tightness at the following intervals: @ 2-weeks and again @ 6-weeks of operation. This preventive maintenance step must be completed to ensure your package gives you long service life.



**GLSLKFSV
GRIP LOCK STEP LADDER KIT
VARIOUS LOW ROOF VEHICLES**

- PRECAUTIONS -



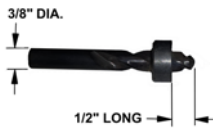
CAUTION
THE USE OF AIR IMPACT TOOLS CAN OVER-TORQUE FASTENERS AND CAUSE FASTENER FAILURE!



CAUTION
ALL INSTALLATION HOLES SHOULD BE SEALED WITH SILICON OR BUTYL SEALANT TO PREVENT EXHAUST FUMES FROM ENTERING THE VEHICLE!



DANGER
INSPECT FOR FUEL TANK, FUEL LINES, BRAKE LINES, HIGH VOLTAGE BATTERIES AND ELECTRICAL LINES PRIOR TO DRILLING TO AVOID DAMAGING CRITICAL VEHICLE SYSTEMS OR INJURY TO INSTALLER DURING INSTALLATION PROCESS!



CAUTION
TO AVOID DAMAGING THE VEHICLE ALWAYS USE DRILL STOPS WHEN DRILLING ANY INSTALLATION HOLES!
ADRIAN AVAILABLE PART #'S 31119-0 (3/8" X 1/2" DEEP), 31121-0 (1/2" x 1/2" DEEP)



- IMPORTANT WARRANTY REQUIREMENTS -

1. SUBSTITUTING ADRIAN STEEL SPECIFIED FASTENERS FOR ASSEMBLY AND/OR INSTALLATION WILL VOID YOUR PRODUCT WARRANTY.
2. ALL HOLES DRILLED INTO VEHICLE SHOULD HAVE THE RAW METAL EDGES SEALED WITH A SELF-ETCHING PRIMER TO RESIST CORROSION AND POTENTIAL FASTENER POINT FAILURE.
3. ALL FASTENERS USED IN THE INSTALLATION OF THIS PRODUCT SHOULD BE TIGHTENED TO THE TORQUE(S) SPECIFIED IN THESE INSTRUCTIONS.
4. THESE INSTRUCTIONS SHOULD BE KEPT WITH THE VEHICLE.

THE BASIC TOOLS NEEDED FOR MOST INSTALLATIONS



DRILL



DRILL BIT WITH STOP



RATCHET, SOCKETS AND/OR WRENCHES



SCREWDRIVERS

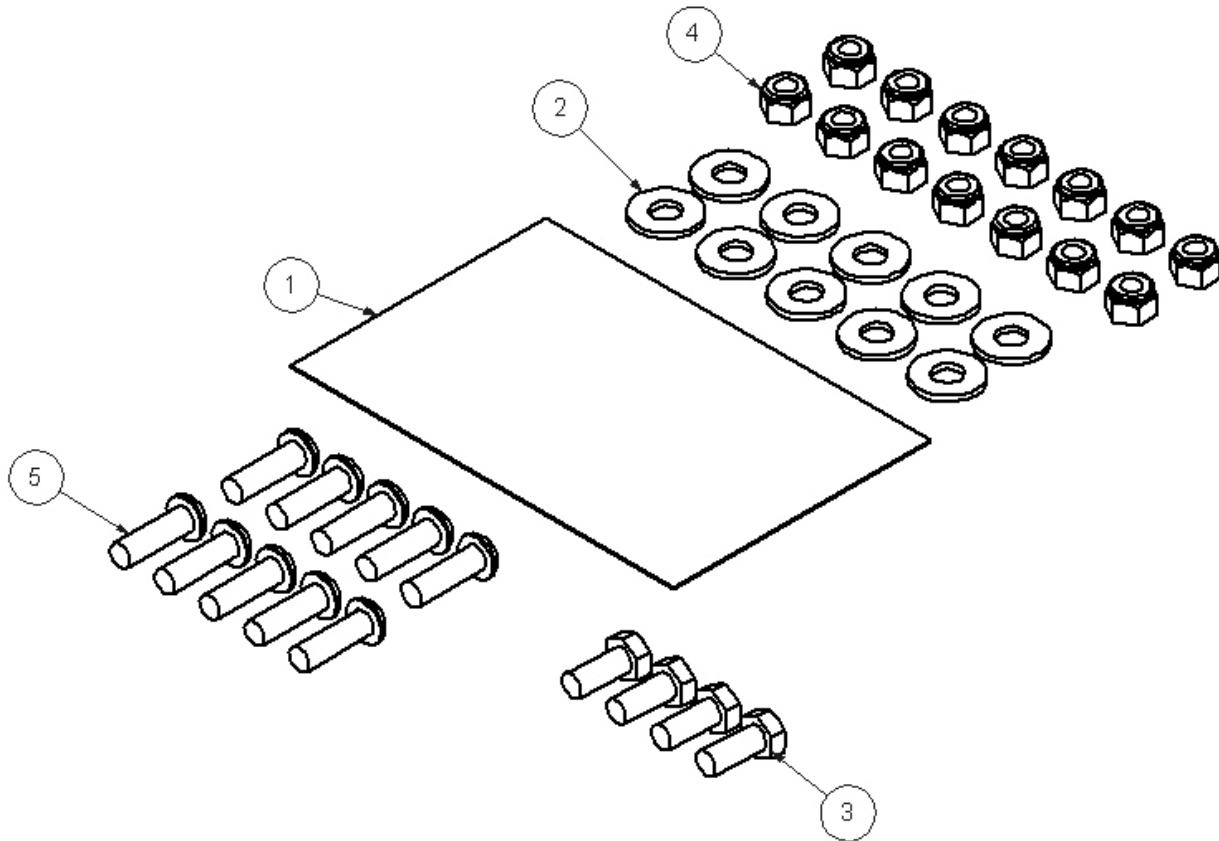


MEASURING TAPE

ADDITIONAL TOOLS MAY BE NEEDED FOR THIS INSTALLATION AND THEY WILL BE IDENTIFIED IN THE STEPS THAT FOLLOW.

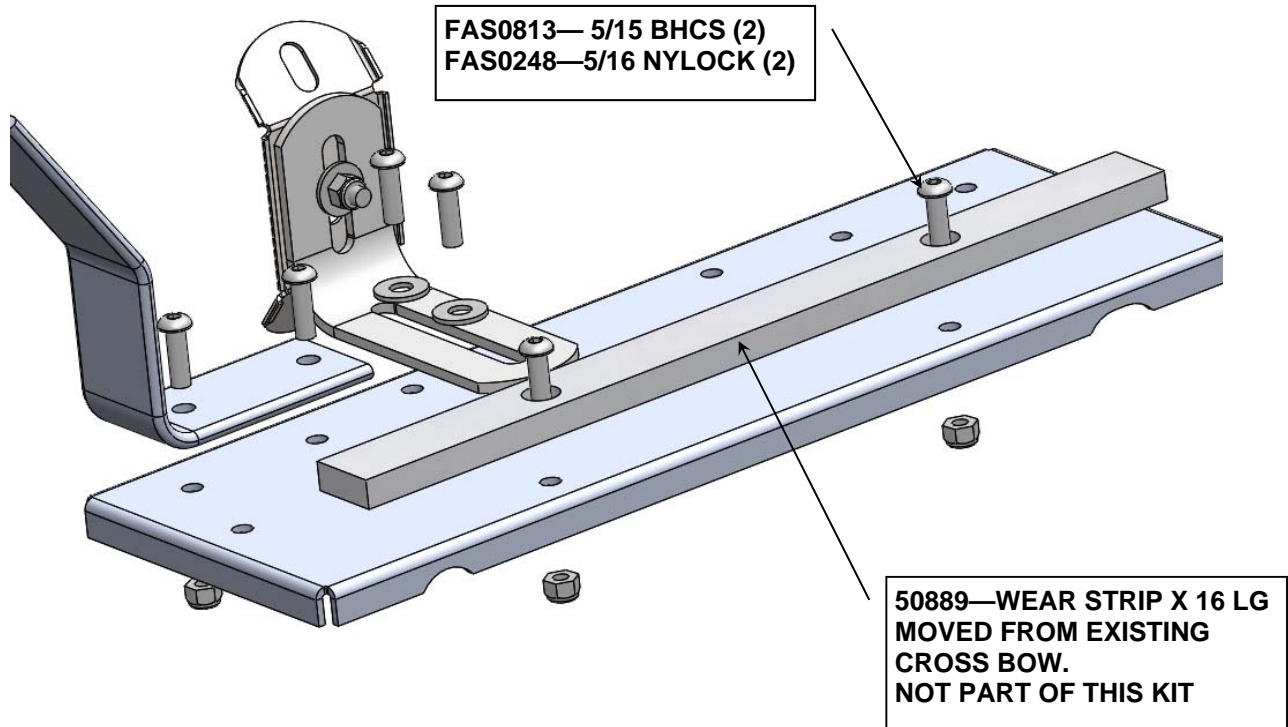
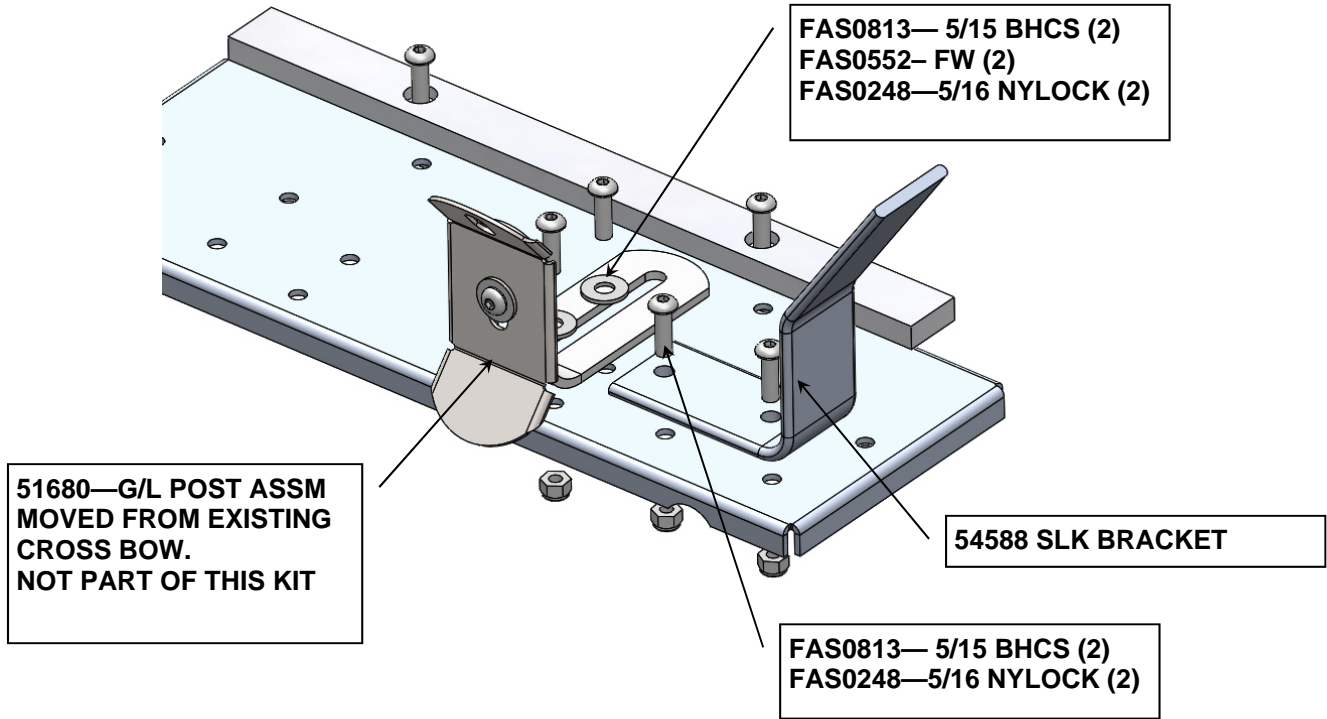
BAGGLSLK - FASTENER BAG

ITEM NO.	PART NUMBER	DESCRIPTION	QTY.
1	BAG0406-A	4" x 6" 3MIL AUTOBAG	1
2	FAS0552	Washer, Flat, 5/16, SST	10
3	FAS0799	Screw, Hex Hd, 5/16-18x0.75 SS	4
4	FAS0248	Nut, Nylon Insert Lock, 5/16-18 SST	14
5	FAS0813	Screw, BHCS, 5/16-18X1.00, SS	10



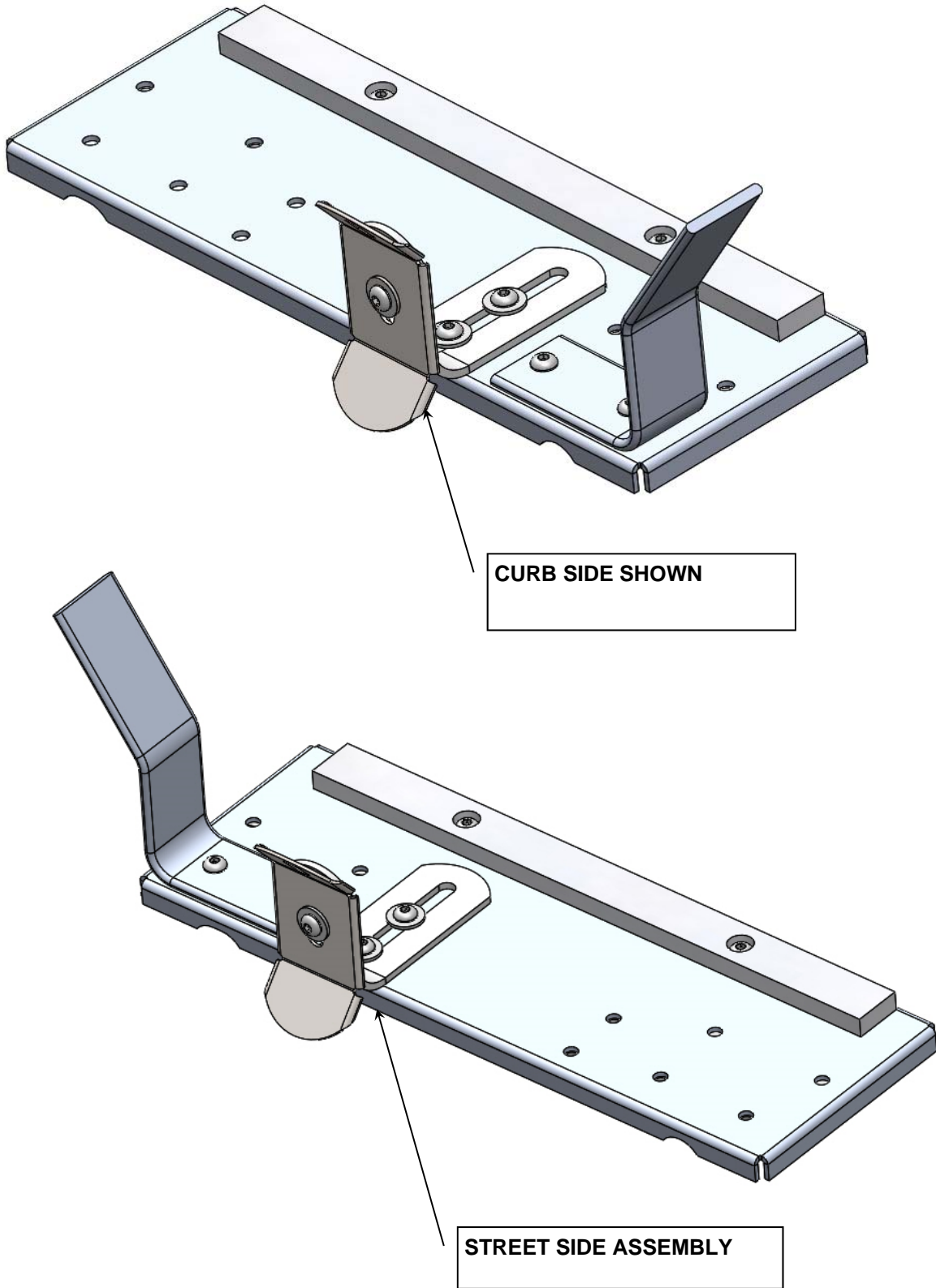


STEP #1A : SUB ASSEMBLE STEP LADDER KIT—CURB SIDE SHOWN



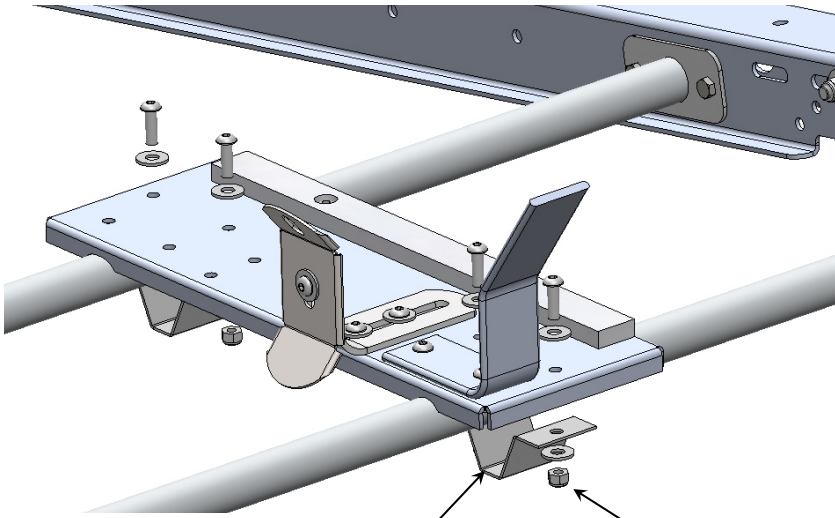


STEP #1B : SUB ASSEMBLE STEP LADDER KIT



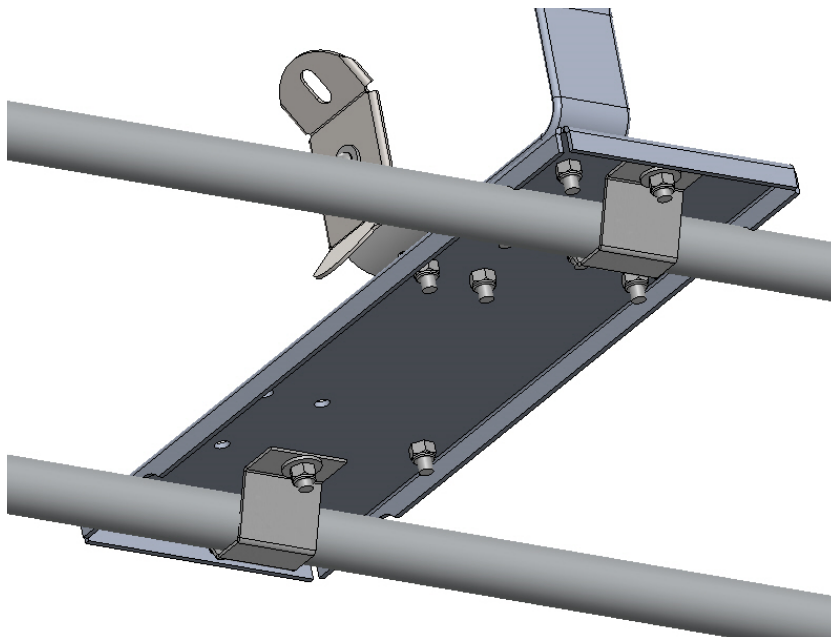
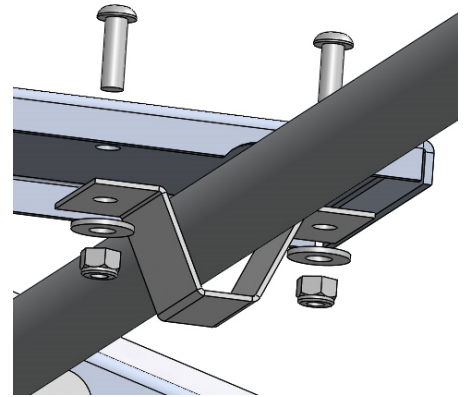


**STEP #2: PLACE G/L STEP LADDER KIT ON THE INSTALLED GRIP LOCK.
MOVE TO DESIRED LOCATION DEPENDING ON YOUR LADDER**

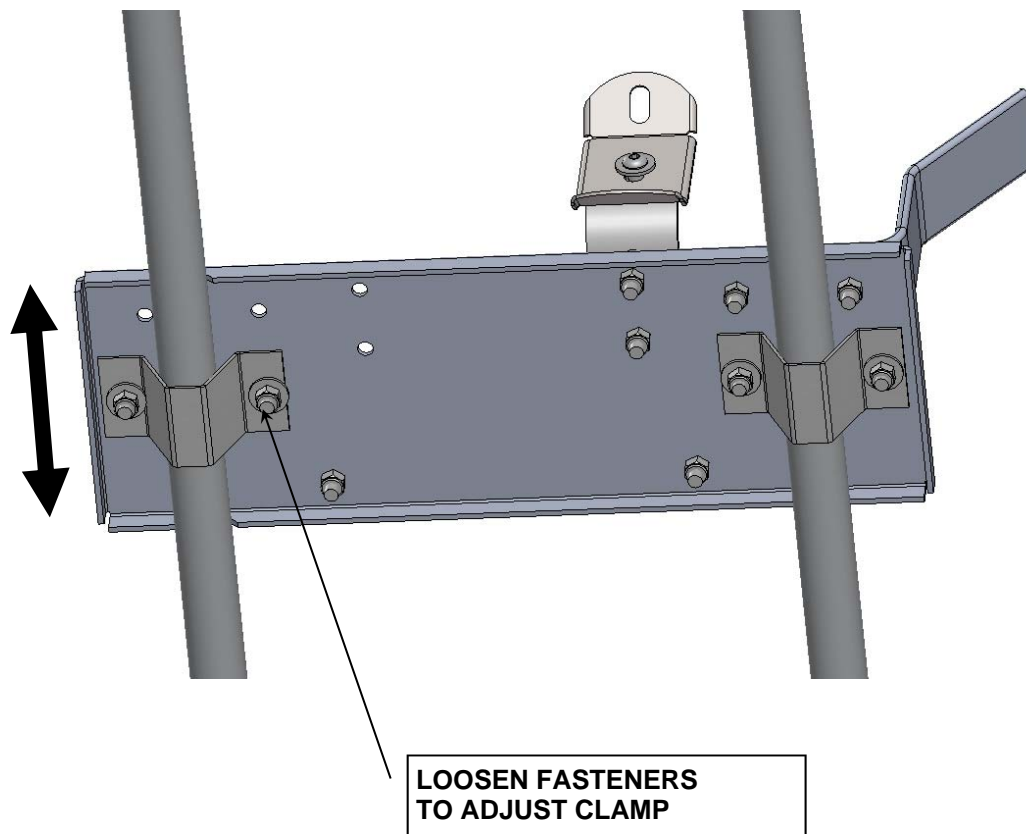
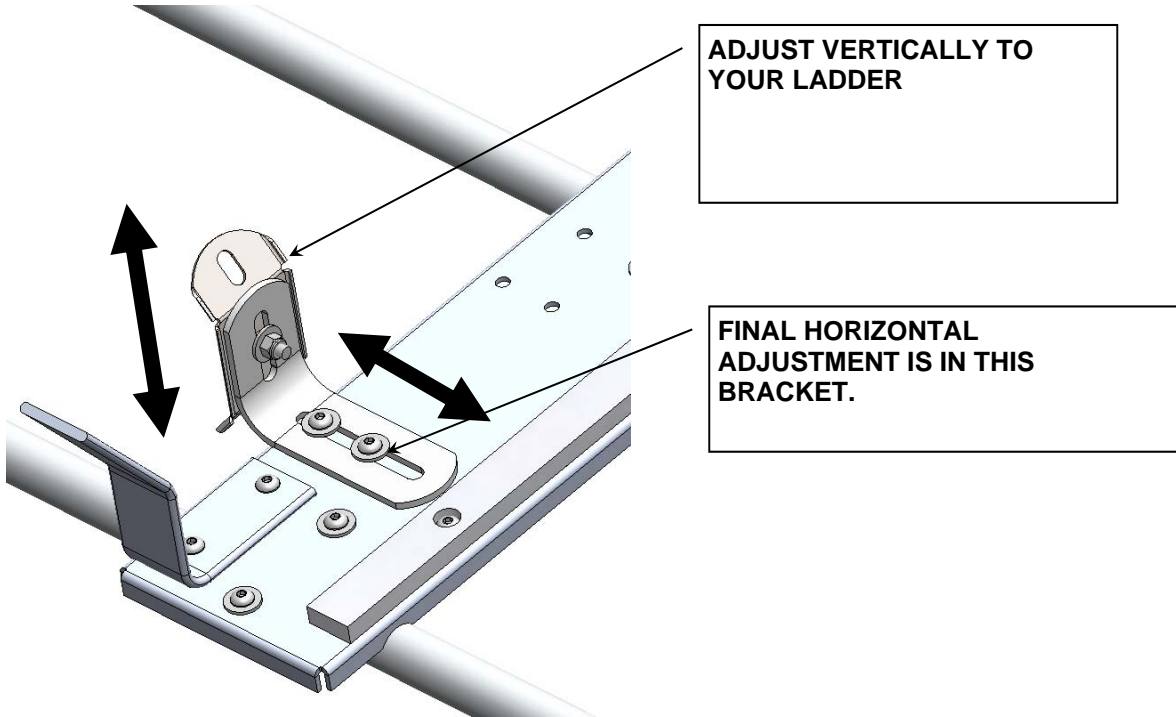


54587—CAPTURE
BRACKET (2)

FAS0813— 5/16 X1 LG BHCS (4)
FAS0552— FW (8)
FAS0248-NYLOCK (4)



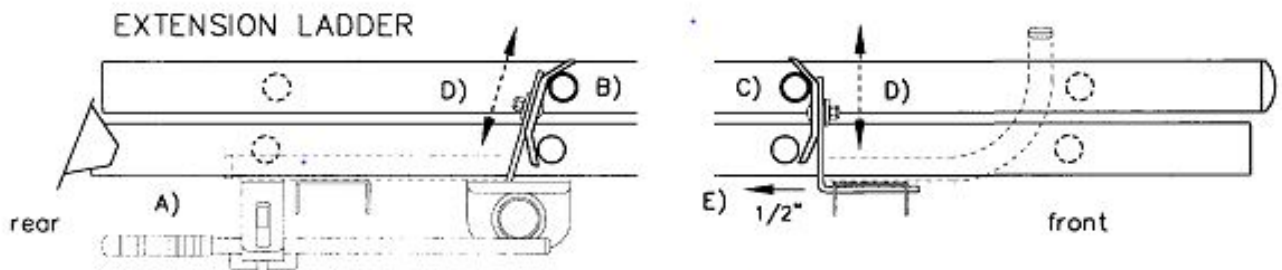
STEP #10A: HOW TO ADJUST THE CLAMP PADS





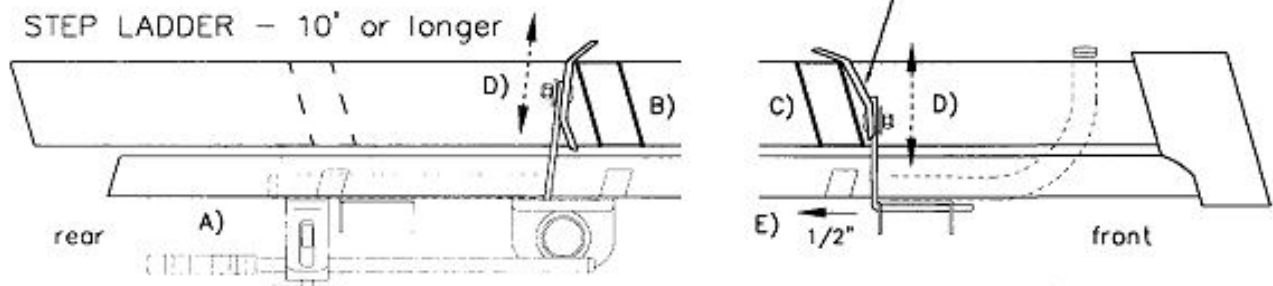
STEP #10B : HOW TO ADJUST THE CLAMP PADS

- A) Load your ladder onto the ladder rack (see page 14) and latch the HANDLE BAR into the HANDLE LATCH.
- B) Now slide the ladder back towards the rear of the vehicle and slide the rear CLAMP BRACKET to fit snug over and against the top ladder rung. ** See bottom illustration for STEP LADDERS ! **
SEE ILLUSTRATION BELOW.
- C) Next slide the FRONT STOP POST at the front of the ladder rack back towards the rear of the vehicle and fit the front CLAMP BRACKET to the top ladder rung the same as the rear.
- D) Firmly tighten both front and rear CLAMP BRACKETS to their posts and tighten snug the FRONT STOP POST to the front CROSS SUPPORT.
- E) Now unlatch the HANDLE BAR and unload your ladder. Next loosen the FRONT STOP POST and slide it out towards the rear of the vehicle 1/2" and FIRMLY RETIGHTEN !
YOUR LADDER RACK SHOULD NOW BE ADJUSTED FOR YOUR LADDER.



CAUTION: Never clamp up the first step and the head of the STEP LADDER !

Front CLAMP BRACKET must be attached like this !



**DOUBLE CHECK ALL FASTENERS LOCATIONS TO BE SURE THAT ALL FASTENERS ARE TIGHTENED TO SPECIFICATIONS.
YOUR INSTALLATION IS NOW COMPLETE!
STOW THIS COPY IN THE VEHICLE FOR FUTURE REFERENCES!**

Note: As per the image below, the curbside of the vehicle should be the default location for the step ladder kit.

