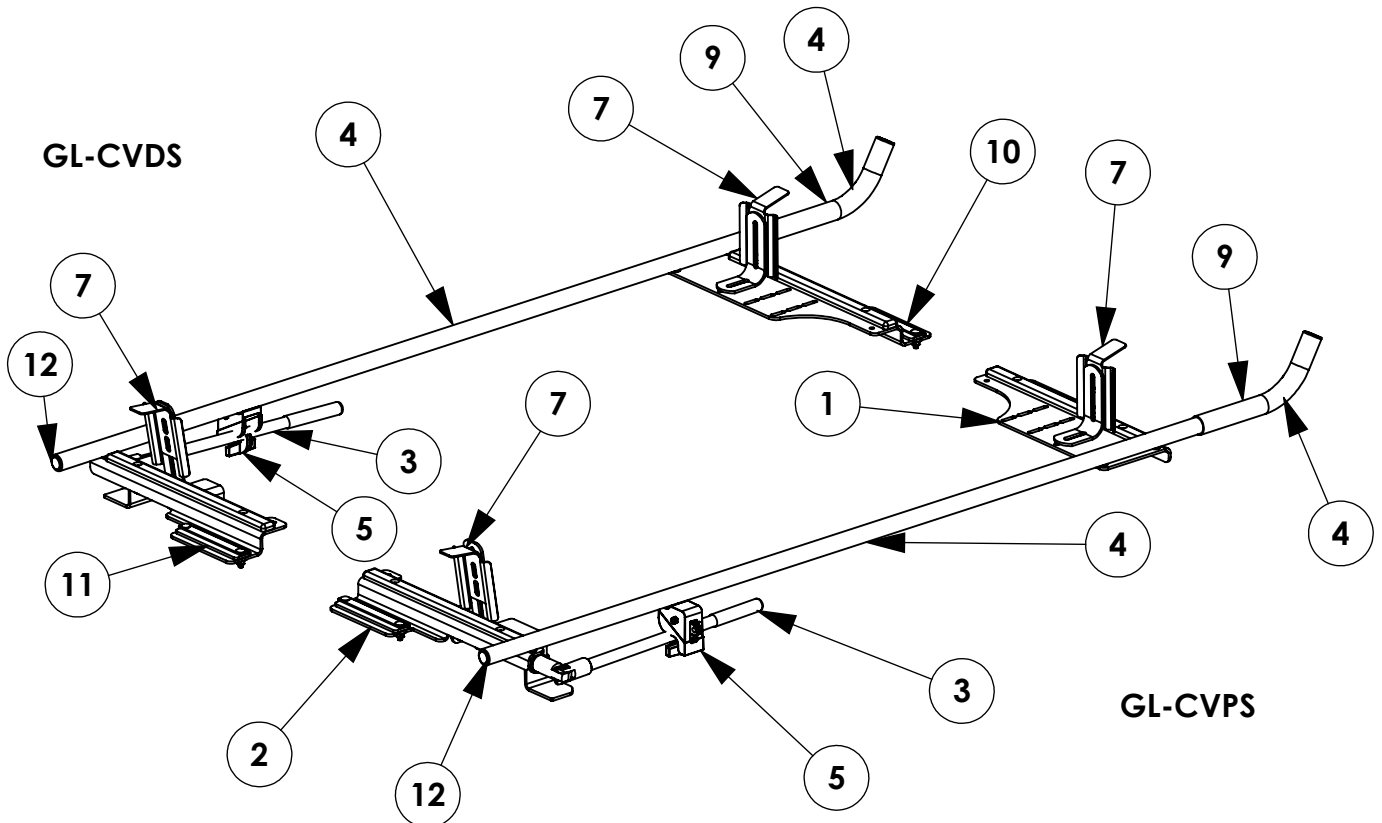


INSTR. NUMBER : 68554	PG: 1	REV: B	ITEM NO.	PART NUMBER	DESCRIPTION	GL-CVDS	GL-CVPS
PART NUMBER : GL-CVDS & GL-CVPS			1	66359	GRIP LOCK FRONT BRACE ASSM CS	1	-
			2	66360	GRIP LOCK REAR BRACE ASSM CS	1	-
PART • GRIP LOCK, COMPACT VAN, DS DESC. • GRIP LOCK, COMPACT VAN, PS			3	66291-W	GRIP LOCK HANDLE, WHITE	1	1
<b>NOTE: THIS INSTRUCTION IS VALID FOR THE FOLLOWING KITS:</b>  <b>-GL-CVDS</b> <b>-GL-CVPS</b> <b>-GL-CVDSB</b> <b>-GL-CVPSB</b>  <b>THESE INTRUCTIONS CAN BE USED FOR A SINGLE OR DOUBLE GRIP LOCK ON VARIOUS LOW ROOF VEHICLES</b>			4	68434	GRIP LOCK, CP TUBE ASM	1	1
			5	25340-0	HANDLE LATCH-STD	1	1
			6	50981-B	FRONT STOP POST	1	1
			7	66292-B	CLAMP PAD, BLACK	2	2
			8	66289-W	GRIP LOCK HANDLE POST, WHITE	1	1
			9	27254-B	SLEEVE-HORN,L.R. BLACK	1	1
			10	66361	GRIP LOCK FRONT BRACE SS ASSM	-	1
			11	66362	GRIP LOCK REAR BRACE ASSM SS	-	1
			12	51363	CAP PLUG, RND 1.00, BLACK	1	1

- PART NUMBERS WITH "-W" SUFFIXS ARE PAINTED WHITE  
- FOR WHITE MOUNTING KITS, REPLACE "-W" WITH "-B" PARTS  
NOTE: 66359, 66360, 66361, & 66362 ARE ALSO AVAILABLE IN BLACK VARIANTS  
- FOR THEIR IDENTIFICATION, ADD THE "-B" SUFFIX TO THE END OF THE PART NUMBER



**GET TO KNOW THE VEHICLE** - AT THE BEGINNING OF ANY INSTALLATION, CHECK THE LOCATION OF THE FUEL TANK, FUEL LINES, BRAKE LINES, HIGH VOLTAGE BATTERIES AND WIRING HARNESSSES TO AVOID INJURY OR PROPERTY DAMAGE FROM TOOL CONTACT.

**SEAL ALL EXTERIOR HOLES** - ALL INSTALLATION HOLES SHOULD BE SEALED WITH BUTYL TAPE OR SILICON TO PREVENT WATER AND EXHAUST GASES FROM ENTERING THE VEHICLE.

**CONTROL DRILL DEPTH** - TO AVOID DAMAGE TO THE VEHICLE, USE A DRILL STOP OR CLEARED STEP BIT WHEN DRILLING INSTALLATION HOLES.

**ALWAYS ADD PRIMER** - WHEN ADDING INSTALLATION HOLES BE SURE TO USE A SELF-ETCHING PRIMER TO PREVENT CORROSION, FASTENER FAILURE AND INJURY.

**MOUNTING POINTS MUST HAVE METAL-TO-METAL CONTACT** - USE PROVIDED MOUNTING SPACERS TO ACCOMMODATE FOR VEHICLE FEATURES, CARPET OR SUBFLOORS.

**PROVIDE CLEARANCE FOR SPACERS** - IF THE INSTALLATION VEHICLE CONTAINS A CARPET OR SUBFLOOR, USE A 1-3/16" DIAMETER CARPET CUTTER (P/N: 31183-0) AT ALL MOUNTING LOCATIONS TO OPEN UP ROOM FOR SPACERS.

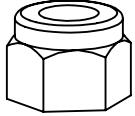
**CHECK SPACER ORIENTATION** - BE SURE THAT THE INDENT IN THE SPACER COVERS THE PLUSNUT HEAD; THIS ENSURES THE MOST METAL-TO-METAL CONTACT AND REDUCES VIBRATION.

**PLUSNUT INSTALLATION** - A PLUSNUT GUN IS RECOMMENDED FOR PLUSNUT INSTALLATION FOR ITS PRODUCTION SPEED. HOWEVER, A PLUSNUT SETTING TOOL CAN ALSO BE USED (P/N: 22200-0).

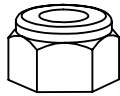
**THRU-BOLT CLEARANCE** - WHEN USING A THRU-BOLT AT ANY MOUNTING LOCATION, BE SURE THAT YOUR HOLE HAS 1/16" CLEARANCE.

**FASTENERS USED**

**QUANTITIES PROVIDED ARE FOR A SINGLE SIDE INSTALL**



**FAS0110**  
**3/8-16 SS**  
**NLK NUT**  
**QTY: 1**



**FAS0248**  
**5/16-18 SS**  
**NYL NUT**  
**QTY: 6**



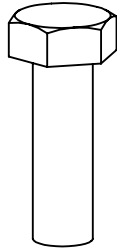
**FAS0399**  
**3/8-16 SS**  
**NYL NUT**  
**QTY: 1**



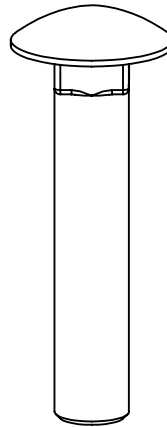
**FAS0552**  
**5/16 SS**  
**FLAT WASHER**  
**QTY: 16**



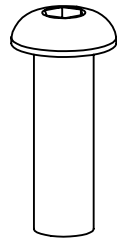
**FAS0588**  
**5/16 SS**  
**SPLIT WASHER**  
**QTY: 4**



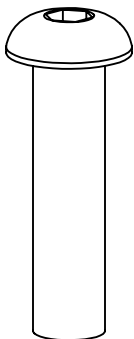
**FAS0597**  
**5/16-18 X 1.0 SS**  
**HH SCREW**  
**QTY: 2**



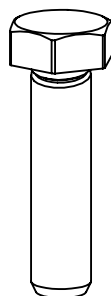
**FAS0721**  
**3/8-16 X 2.0 SS**  
**CRG BOLT**  
**QTY: 1**



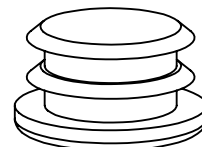
**FAS0813**  
**5/16-18 X 1.0 SS**  
**BHC SCREW**  
**QTY: 4**



**FAS0819**  
**3/8-16 X 1.5 SS**  
**BHC SCREW**  
**QTY: 1**



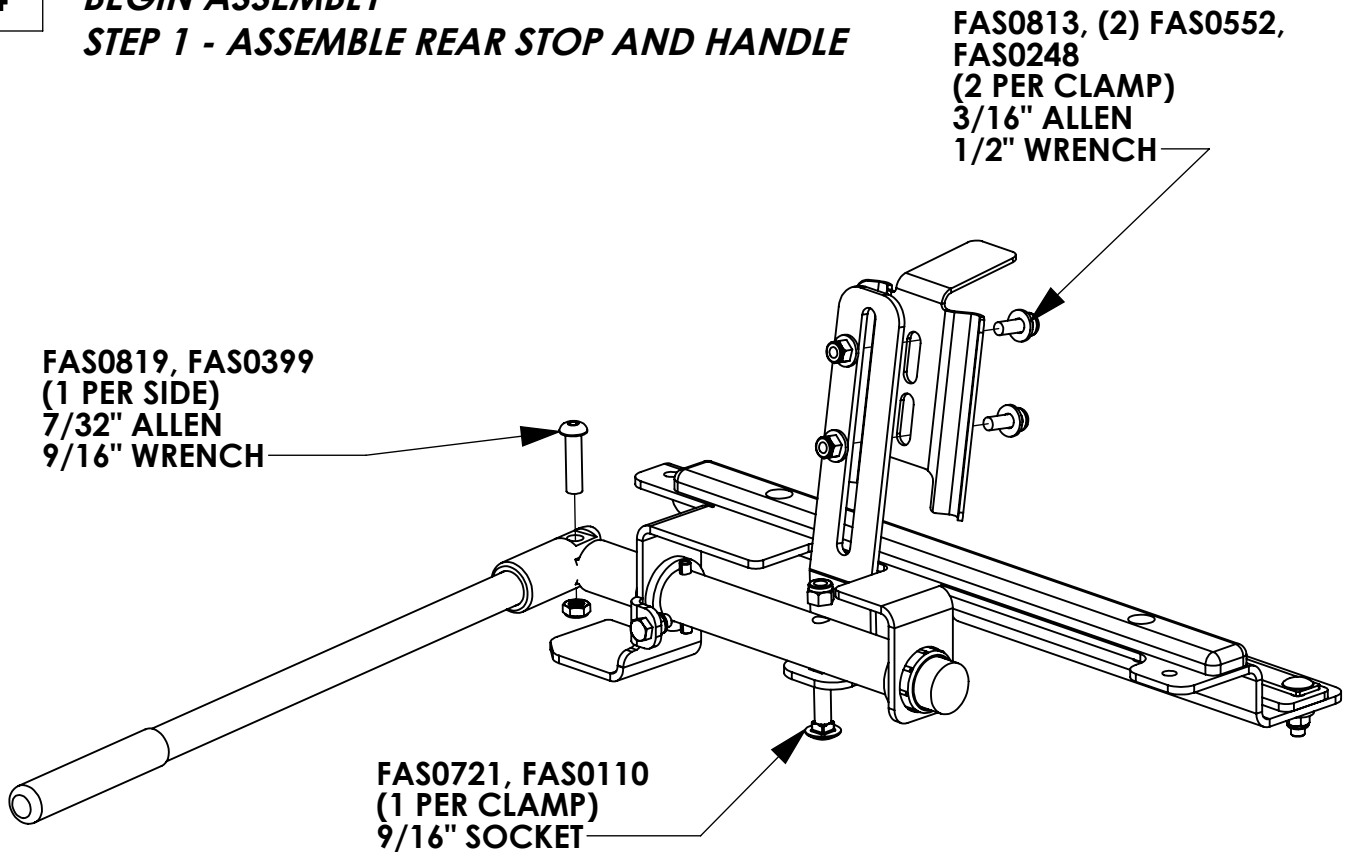
**FAS0830**  
**5/16-18 X 1.25 SS**  
**HH SCREW**  
**QTY: 4**



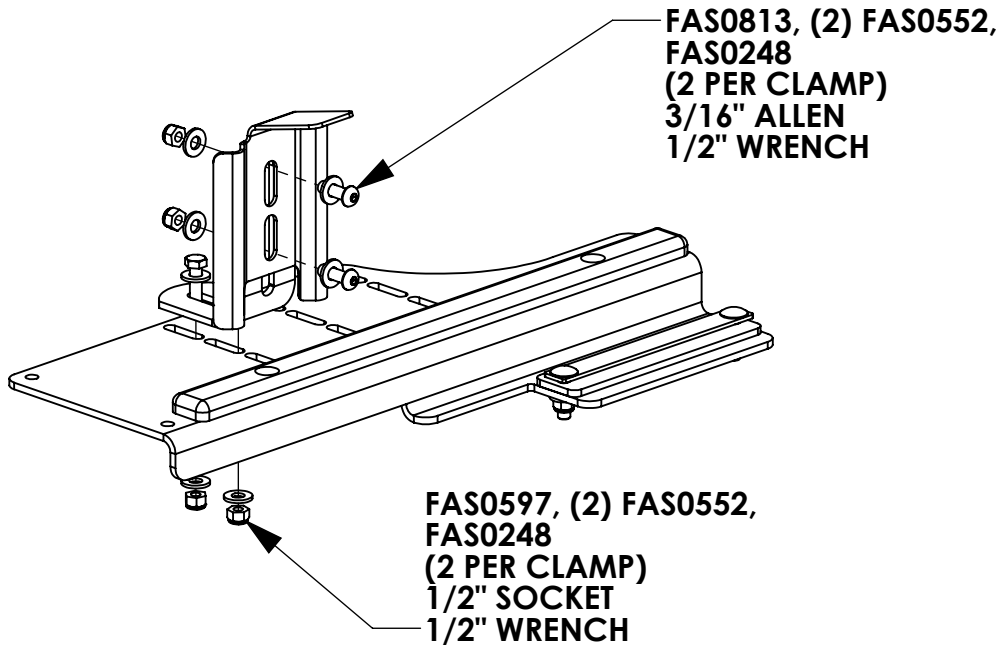
**51363**  
**1" RND BLK**  
**CAP PLUG**  
**QTY: 1**

**BEGIN ASSEMBLY**

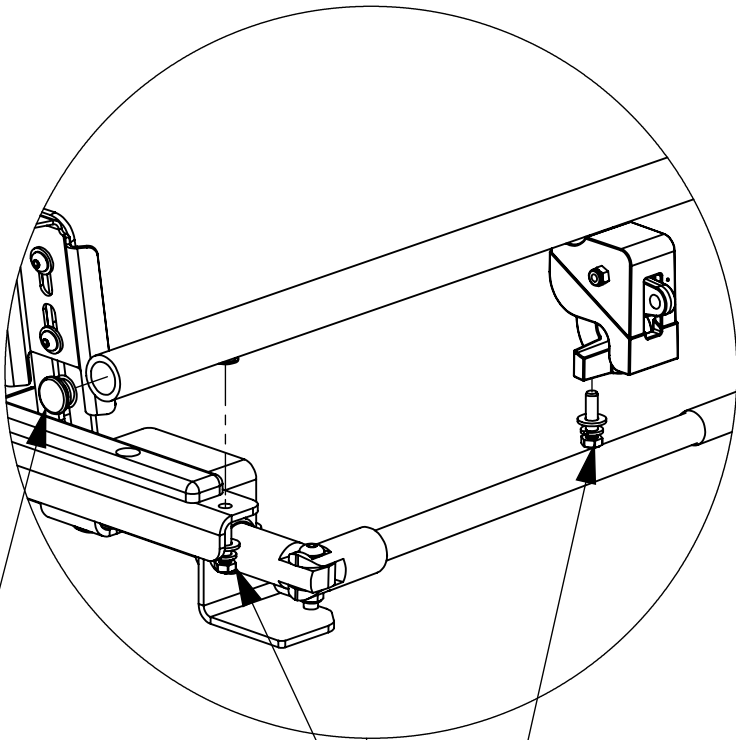
**STEP 1 - ASSEMBLE REAR STOP AND HANDLE**



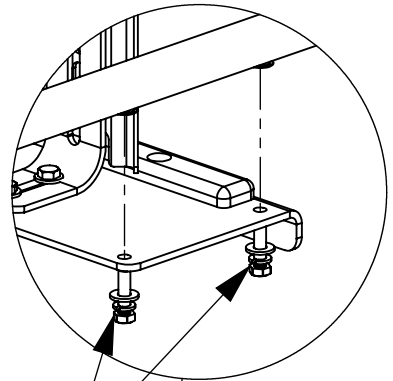
**STEP 2 - ASSEMBLE FRONT STOP**



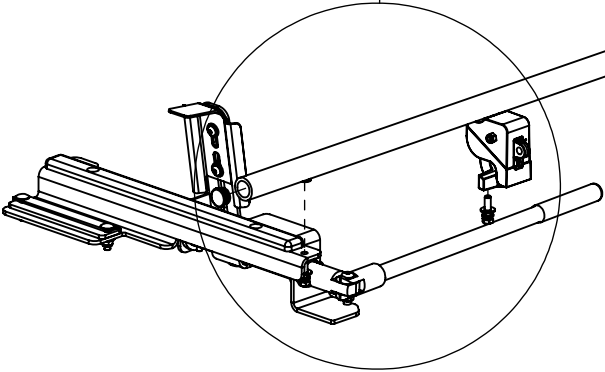
**STEP 3 - ASSEMBLE OUTER TUBE**



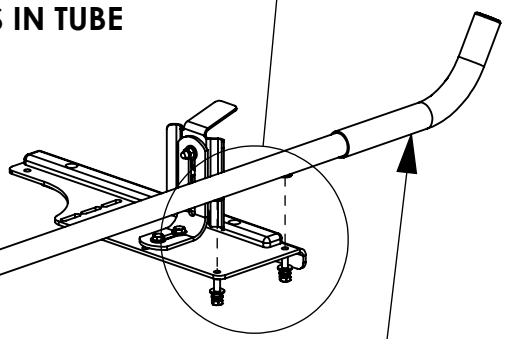
**ADD END CAP  
TO TUBE**



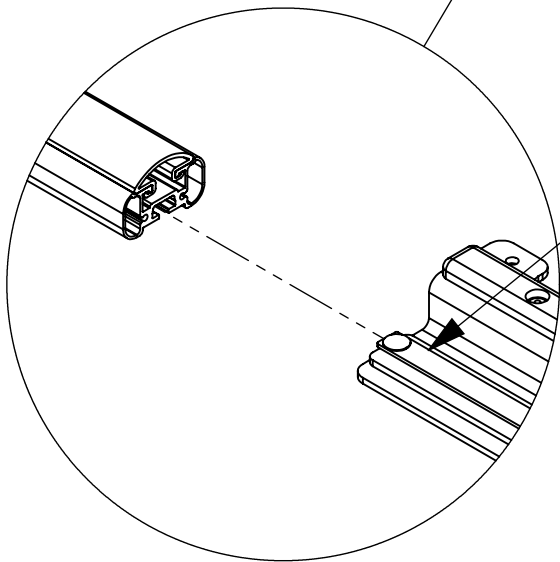
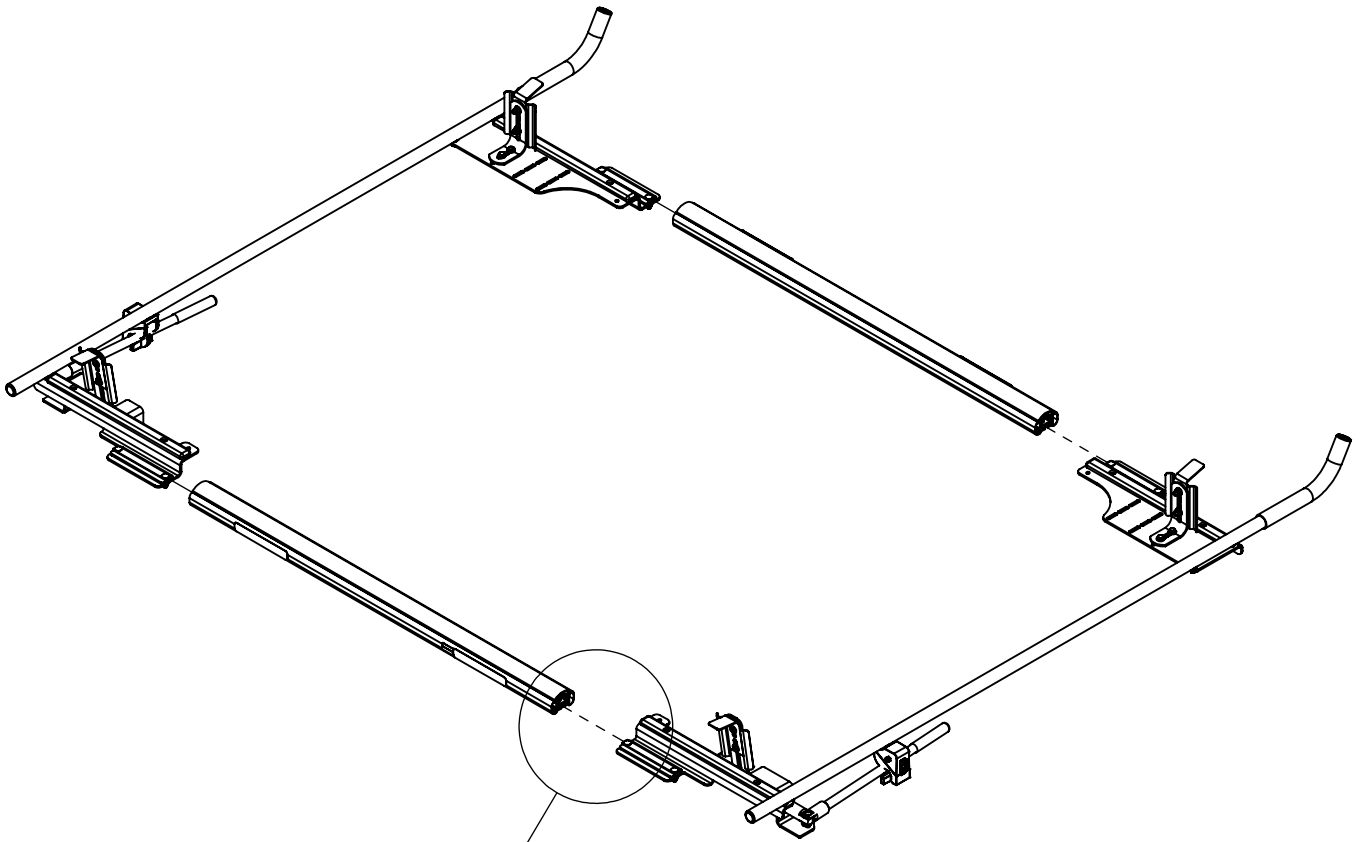
**FAS0830, FAS0588, FAS0552  
(4 PER SIDE)  
MOUNT TO RIVNUTS IN TUBE  
1/2" SOCKET**



**ADD TUBE SLEEVE**



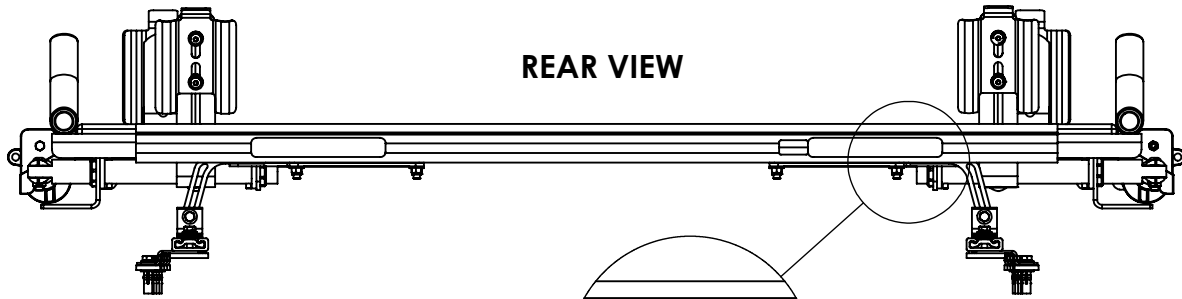
**STEP 4 - INSTALL ON CROSSBOW**



**SLIDE GRIP LOCK INTO CROSSBAR**  
**LEAVE FASTENERS LOOSE FOR**  
**ADJUSTING RACK ONCE ON VEHICLE**

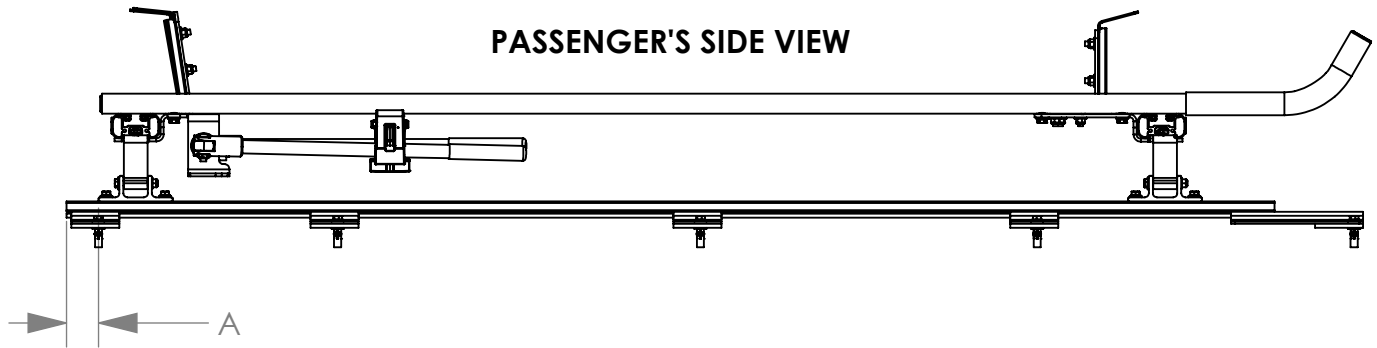
**STEP 5 - MOUNTING DIMENSIONS GUIDE**

**NOTE: IMAGES SHOW THE RAIL KIT FOR THE TRANSIT CONNECT LONG WHEELBASE FOR VISUALIZATION. VEHICLE SPECIFIC MEASUREMENTS ARE PROVIDED IN TABLE BELOW.**



**REAR VIEW**

**NOTE: SLIDE THE GRIP LOCK CARTRIDGE OUT, UNTIL IT TOUCHES THE MOUNTING BRACKET.**



**PASSENGER'S SIDE VIEW**

VEHICLE	TRANSIT CONNECT LWB	TRANSIT CONNECT SWB	PROMASTER CITY	MERCEDES METRIS LWB	MERCEDES METRIS SWB
A	2.0	2.0	2.0	2.0	2.0

**NOTE: "A" IS DISTANCE FROM END OF ROOF RAIL TO MOUNTING BRACKET FOOT**

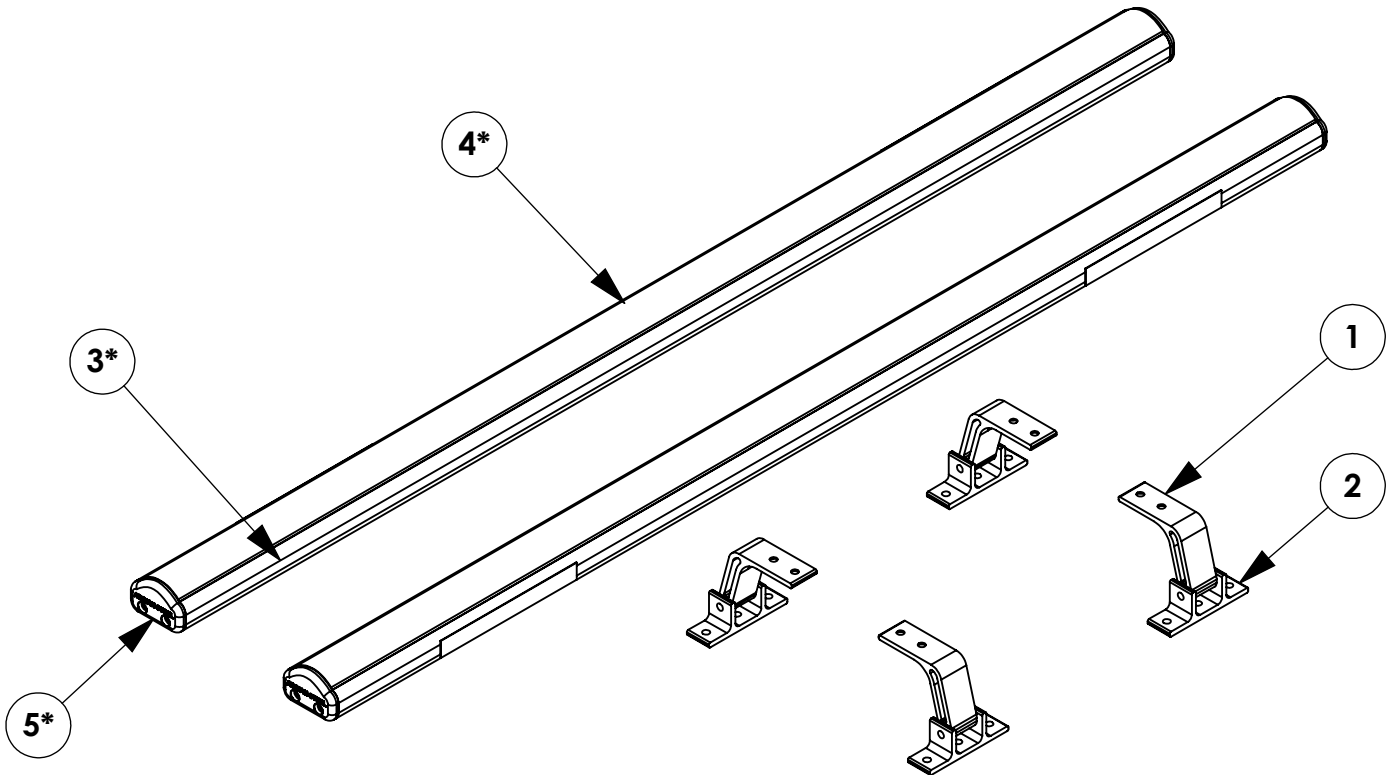
INSTR. NUMBER	PG:	REV:	ITEM NO.	PART NUMBER	DESCRIPTION	QTY.
: <b>68558</b>	<b>1</b>	<b>A</b>	1	68202-W	PROFILE, MOUNTING ARM, W	4
			2	63852-W	UTILITY, MOUNTING BRKT, W	4
PART NUMBER : <b>CRMBK4W</b>			3*	63915-W	UTILITY, CROSSBOW, 58", WHITE	2
			4*	63914	UTILITY, WEAR STRIP, 58"	2
PART : DESC. : COMPCT,MNT BKT KT,RAIL,4W			5*	63851	UTILITY RCK,END CAP,BLACK	4

**ITEMS NOTED (#\*) ARE PART OF: 2BARCW**

**NOTE: THIS INSTRUCTION IS VALID FOR THE FOLLOWING KITS:**

- MOUNTING KITS**
- URMBK4W (SHOWN)
  - URMBK4B
  - URMBK2W
  - URMBK2B

- CROSSBOW KITS**
- 2BARCW (SHOWN)    -1BARCW
  - 2BARCB            -1BARCB
  - 2BARTOPW        -1BARTOPW
  - 2BARTOPB        -1BARTOPB
  - 2BARW            -1BARW
  - 2BARB            -1BARB





**GET TO KNOW THE VEHICLE** - AT THE BEGINNING OF ANY INSTALLATION, CHECK THE LOCATION OF THE FUEL TANK, FUEL LINES, BRAKE LINES, HIGH VOLTAGE BATTERIES AND WIRING HARNESSSES TO AVOID INJURY OR PROPERTY DAMAGE FROM TOOL CONTACT.

**SEAL ALL EXTERIOR HOLES** - ALL INSTALLATION HOLES SHOULD BE SEALED WITH BUTYL TAPE OR SILICON TO PREVENT WATER AND EXHAUST GASES FROM ENTERING THE VEHICLE.

**CONTROL DRILL DEPTH** - TO AVOID DAMAGE TO THE VEHICLE, USE A DRILL STOP OR CLEARED STEP BIT WHEN DRILLING INSTALLATION HOLES.

**ALWAYS ADD PRIMER** - WHEN ADDING INSTALLATION HOLES BE SURE TO USE A SELF-ETCHING PRIMER TO PREVENT CORROSION, FASTENER FAILURE AND INJURY.

**MOUNTING POINTS MUST HAVE METAL-TO-METAL CONTACT** - USE PROVIDED MOUNTING SPACERS TO ACCOMMODATE FOR VEHICLE FEATURES, CARPET OR SUBFLOORS.

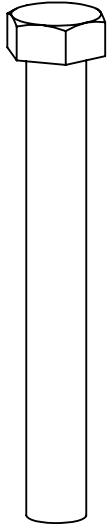
**PROVIDE CLEARANCE FOR SPACERS** - IF THE INSTALLATION VEHICLE CONTAINS A CARPET OR SUBFLOOR, USE A 1-3/16" DIAMETER CARPET CUTTER (P/N: 31183-0) AT ALL MOUNTING LOCATIONS TO OPEN UP ROOM FOR SPACERS.

**CHECK SPACER ORIENTATION** - BE SURE THAT THE INDENT IN THE SPACER COVERS THE PLUSNUT HEAD; THIS ENSURES THE MOST METAL-TO-METAL CONTACT AND REDUCES VIBRATION.

**PLUSNUT INSTALLATION** - A PLUSNUT GUN IS RECOMMENDED FOR PLUSNUT INSTALLATION FOR ITS PRODUCTION SPEED. HOWEVER, A PLUSNUT SETTING TOOL CAN ALSO BE USED (P/N: 22200-0).

**THRU-BOLT CLEARANCE** - WHEN USING A THRU-BOLT AT ANY MOUNTING LOCATION, BE SURE THAT YOUR HOLE HAS 1/16" CLEARANCE.

**FASTENERS USED**



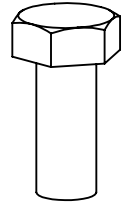
**FAS0243**  
5/16-18 X 2.5 SS  
HH SCREW  
QTY: 4



**FAS0552**  
5/16 SS  
FLAT WASHER  
QTY: 12



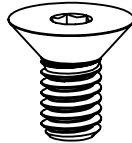
**FAS0588**  
5/16 SS  
SPLIT WASHER  
QTY: 8



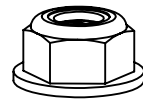
**FAS0799**  
5/16-18 X .75 SS  
HH SCREW  
QTY: 8



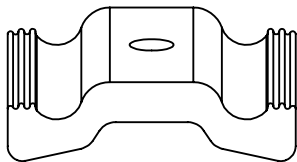
**FAS0857**  
5/16 SS  
CS EXT LCK WASHER  
QTY: 8



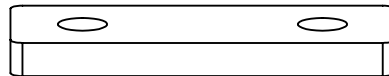
**FAS0858**  
5/16-18 X .625 SS  
FHH CS SCREW  
QTY: 8



**FAS0861**  
5/16-18 SS  
NLK HFLNG NUT  
QTY: 4



**35335-0**  
1.5" AD RAIL  
QTY: 8

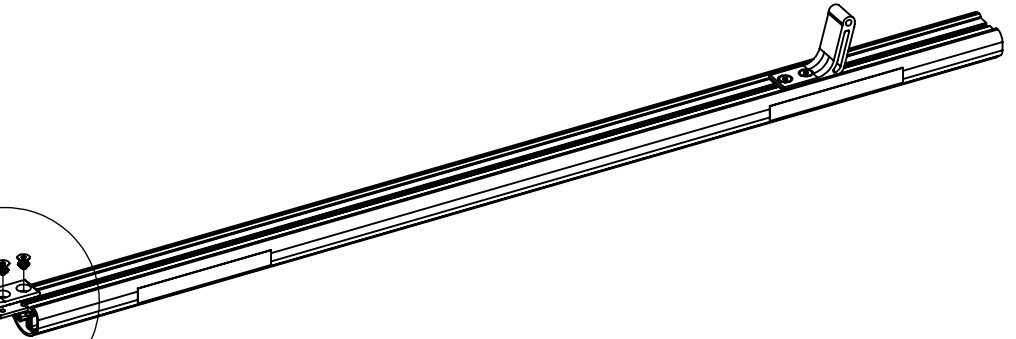
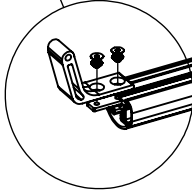
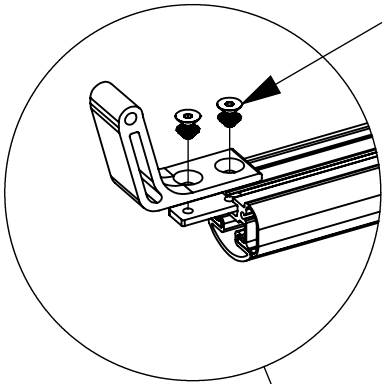


**68042**  
PROFILE FOOT MTG PLATE  
QTY: 4

**BEGIN ASSEMBLY**

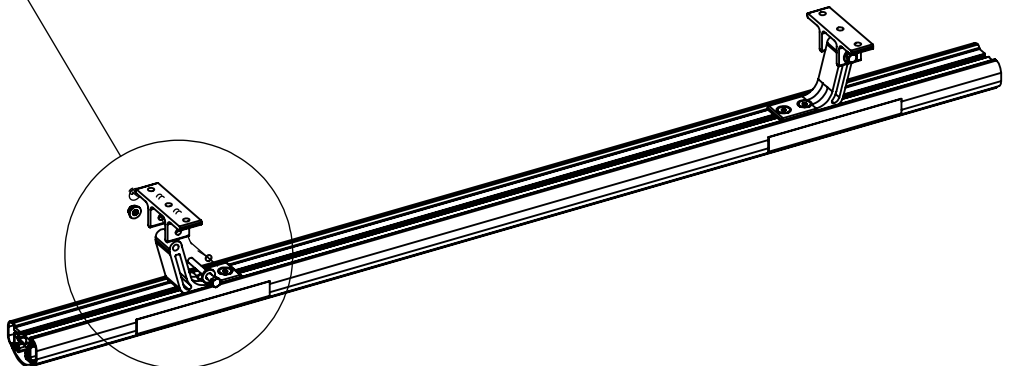
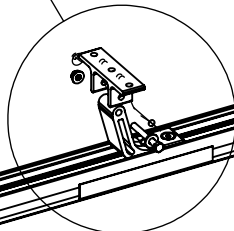
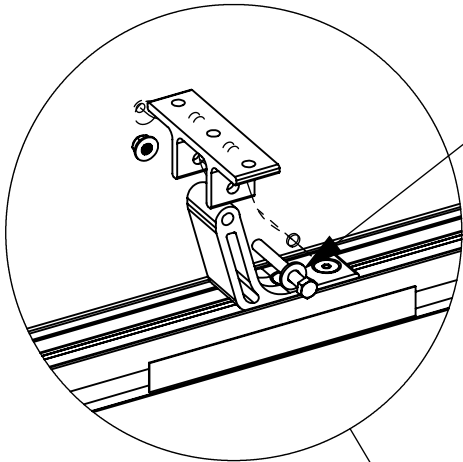
**STEP 1 - ASSEMBLE MOUNTING ARMS TO CROSSBOW**

(2) FAS0857, (2) FAS0858  
68042  
(2 PLACES PER CROSSBOW)  
LOOSE INSTALL



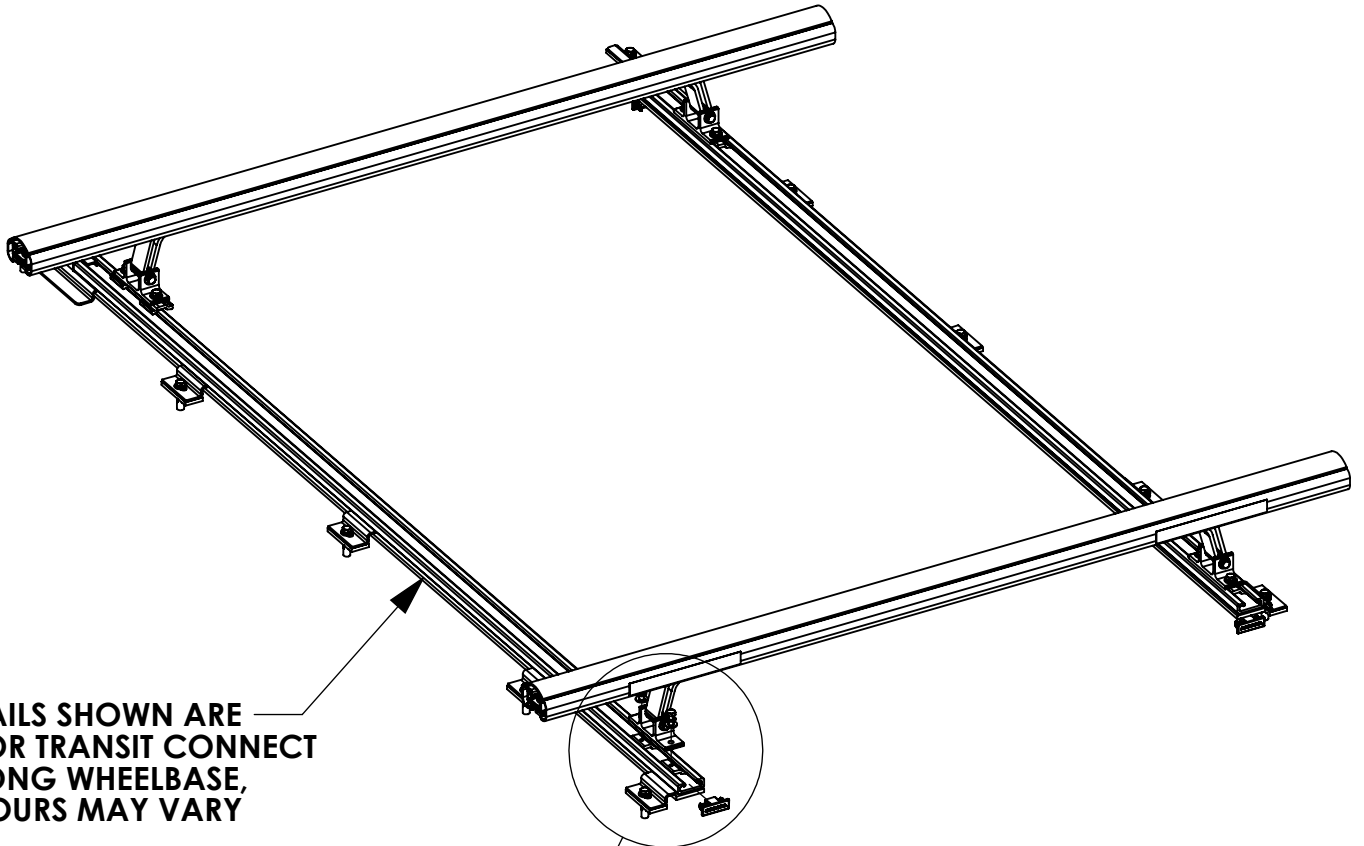
**STEP 2 - ASSEMBLE MOUNTING BRACKETS TO MOUNTING ARMS**

FAS0243, FAS0552, FAS0861  
(2 PLACES PER CROSSBOW)  
LOOSE INSTALL



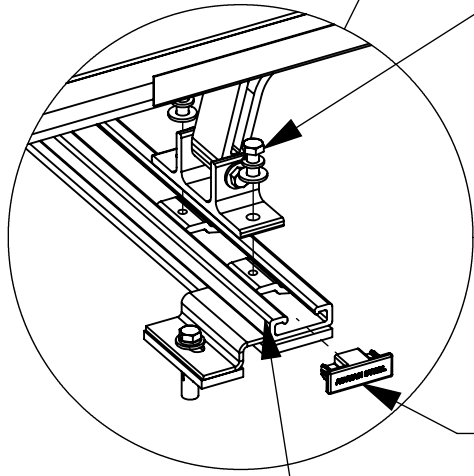
**BEGIN INSTALLATION**

**STEP 3 - INSTALL MOUNTING BRACKET TO RAIL**



RAILS SHOWN ARE FOR TRANSIT CONNECT LONG WHEELBASE, YOURS MAY VARY

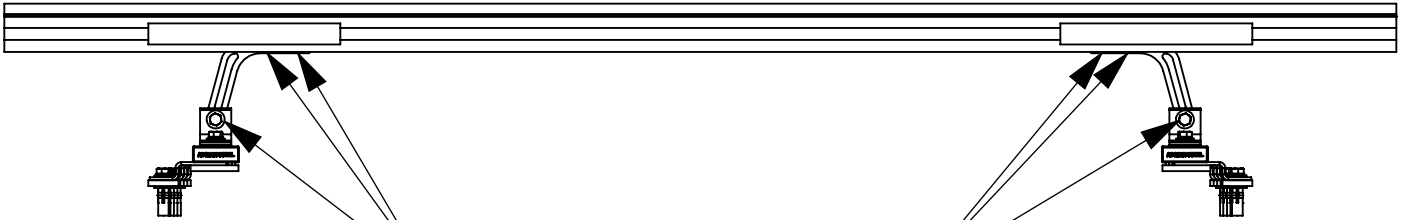
FAS0799, FAS0588, FAS0552, 35335-0 (4 PLACES PER CROSSBOW) 1/2 SOCKET



AFTER MOUNTING BRACKET KIT IS IN, ADD END CAP TO RAIL

DISTANCE OFF OF THE REAR IS PROVIDED IN YOUR SPECIFIC ACCESSORY INSTALLATION INSTRUCTIONS.

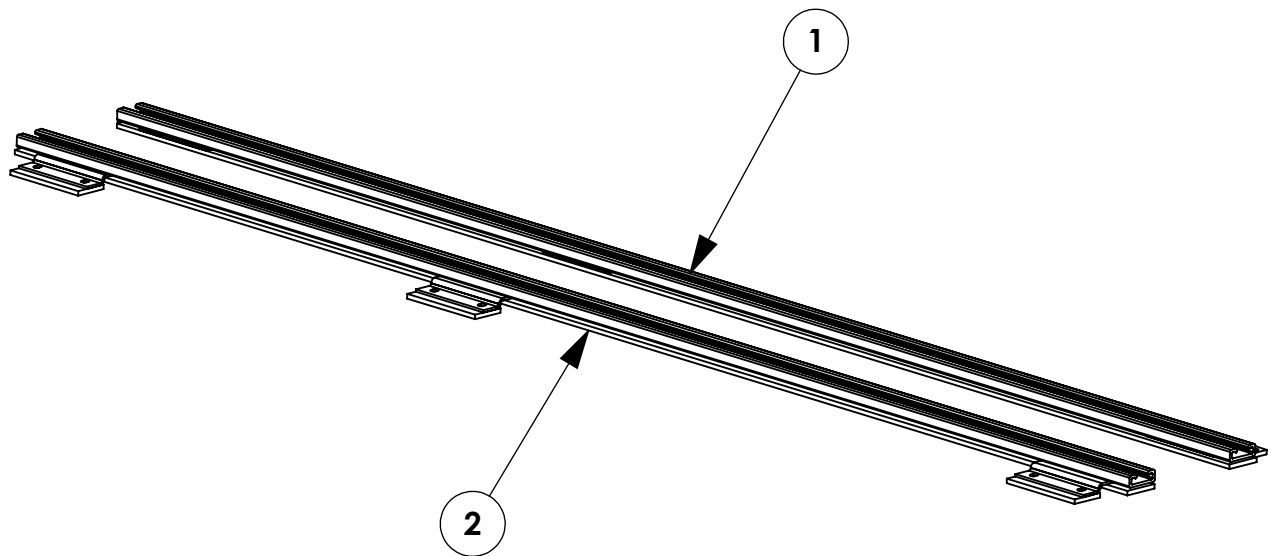
**STEP 4 - CENTER CROSSBOW AND SECURE**



**CENTER CROSSBOW AND  
SECURE MOUNTING BRACKETS  
(6 PLACES PER CROSSBOW)**

**1/2 SOCKET  
1/2 WRENCH  
5/32 ALLEN**

<i>INSTR. NUMBER</i> : <b>68570</b>	<i>PG:</i> <b>1</b>	<i>REV:</i> <b>A</b>	<i>ITEM NO.</i>	<i>PART NUMBER</i>	<i>DESCRIPTION</i>	<i>QTY.</i>
			1	68569	ROOF RAIL W/FOAM,MMS,DS	1
<i>PART NUMBER</i> : <b>RRKMMS</b>			2	68568	ROOF RAIL W/FOAM,MMS,PS	1
<i>PART DESC.</i> : ROOF RAIL KIT, MM SWB						



**GET TO KNOW THE VEHICLE** - AT THE BEGINNING OF ANY INSTALLATION, CHECK THE LOCATION OF THE FUEL TANK, FUEL LINES, BRAKE LINES, HIGH VOLTAGE BATTERIES AND WIRING HARNESSSES TO AVOID INJURY OR PROPERTY DAMAGE FROM TOOL CONTACT.

**SEAL ALL EXTERIOR HOLES** - ALL INSTALLATION HOLES SHOULD BE SEALED WITH BUTYL TAPE OR SILICON TO PREVENT WATER AND EXHAUST GASES FROM ENTERING THE VEHICLE.

**CONTROL DRILL DEPTH** - TO AVOID DAMAGE TO THE VEHICLE, USE A DRILL STOP OR CLEARED STEP BIT WHEN DRILLING INSTALLATION HOLES.

**ALWAYS ADD PRIMER** - WHEN ADDING INSTALLATION HOLES BE SURE TO USE A SELF-ETCHING PRIMER TO PREVENT CORROSION, FASTENER FAILURE AND INJURY.

**MOUNTING POINTS MUST HAVE METAL-TO-METAL CONTACT** - USE PROVIDED MOUNTING SPACERS TO ACCOMMODATE FOR VEHICLE FEATURES, CARPET OR SUBFLOORS.

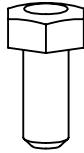
**PROVIDE CLEARANCE FOR SPACERS** - IF THE INSTALLATION VEHICLE CONTAINS A CARPET OR SUBFLOOR, USE A 1-3/16" DIAMETER CARPET CUTTER (P/N: 31183-0) AT ALL MOUNTING LOCATIONS TO OPEN UP ROOM FOR SPACERS.

**CHECK SPACER ORIENTATION** - BE SURE THAT THE INDENT IN THE SPACER COVERS THE PLUSNUT HEAD; THIS ENSURES THE MOST METAL-TO-METAL CONTACT AND REDUCES VIBRATION.

**PLUSNUT INSTALLATION** - A PLUSNUT GUN IS RECOMMENDED FOR PLUSNUT INSTALLATION FOR ITS PRODUCTION SPEED. HOWEVER, A PLUSNUT SETTING TOOL CAN ALSO BE USED (P/N: 22200-0).

**THRU-BOLT CLEARANCE** - WHEN USING A THRU-BOLT AT ANY MOUNTING LOCATION, BE SURE THAT YOUR HOLE HAS 1/16" CLEARANCE.

***FASTENERS USED***



**FAS0268  
M6-1 X 14.0 SS  
HH SCREW  
QTY: 12**



**FAS0672  
1/4 SS  
SPL WASHER  
QTY: 12**



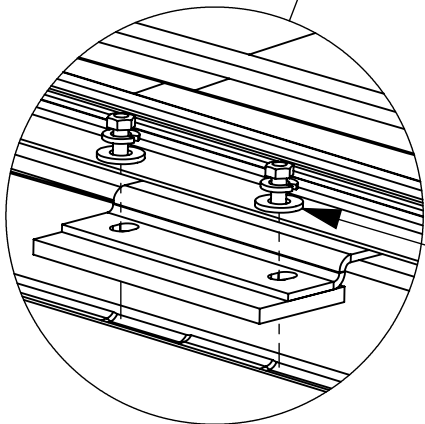
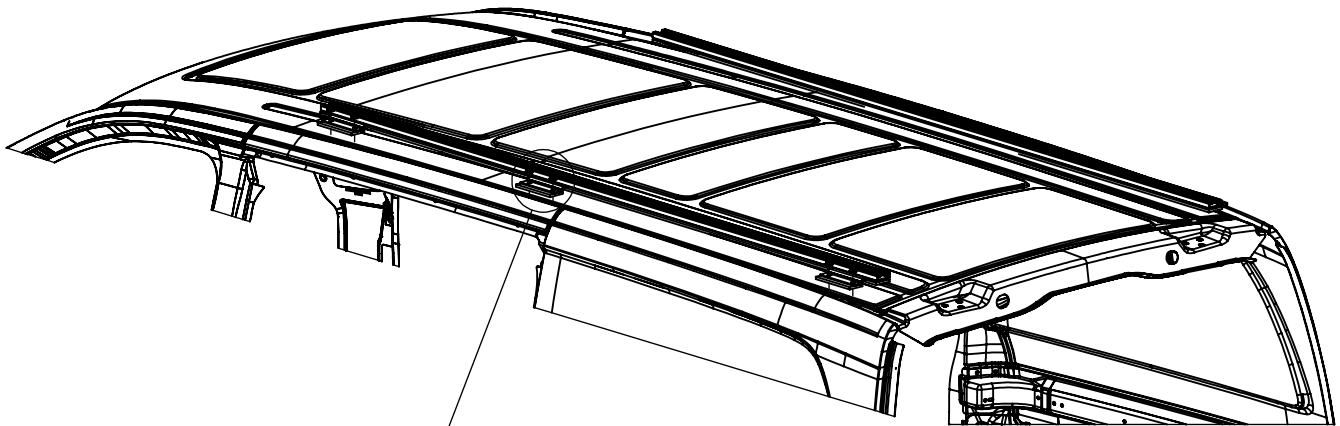
**FAS0234  
1/4 SS  
FLAT WASHER  
QTY: 12**



**STEP 1 - PREP ROOF HOLES**

- a) REMOVE OEM PLASTIC PLUGS FROM REAR 3 ROOF MOUNTING PAIRS ON EACH SIDE OF ROOF.
- b) PROVIDED SCREWS ARE SHORT, BUT LONGER SCREWS MAY BOTTOM OUT IN THE ROOF AND PREVENT ADEQUATE CLAMPING OF THE RACK.

**STEP 2 - INSTALL ROOF RAILS**



FAS0268, FAS0588,  
FAS0234  
(6 PLACES PER RAIL)  
10mm SOCKET

**ADD SILICONE TO THREADS**

**NOTE: END CAPS CANNOT BE ADDED UNTIL AFTER MOUNTING BRACKET KIT IS INSTALLED.**



## 2-Crossbar Kit, 58", White, Minivan



PRODUCT WEIGHT  
**16.1 LBS**

CROSSBOW LENGTH X  
HEIGHT

**59" x 2"**

CAPACITY

**REFER TO OEM'S  
RECOMMENDED LOAD  
RATING**

COLOR

**WHITE**

CATALOG NUMBER

**2BARCW**

### PRODUCT FEATURES

Aluminum base 2-crossbow kit for PROFILE™ HD Utility, grip lock, drop down, or combo ladder racks. Works with all compact van platforms for each respective wheelbase and Ford Transit Ship Thru. Works with and without OEM specific rail kit and generic mounting bracket kits.

Optional uprights and conduit kits available.

Please refer to OEM specific mounting kit or rail kit for additional information on compatible accessories.

# INSTALLATION GUIDE FOR PROFILE™ SERIES LADDER RACKS

INSTRUCTION #:  
**68895**

REV:  
**B**

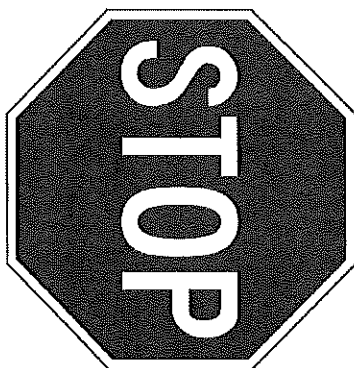
THIS INSTRUCTION PROVIDES A GENERAL GUIDE OF INSTALLATION SEQUENCE FOR ALL PROFILE™ SERIES LADDER RACKS. PLEASE ENSURE ALL ACCESSORIES ARE INSTALLED PER TYPE OF RACK BEFORE PROCEEDING TO NEXT PAGE.

REFERENCE THIS INSTRUCTION THROUGHOUT THE ENTIRETY OF YOUR INSTALL TO PREVENT ACCESSORIES BEING INSTALLED INCORRECTLY/OUT OF SEQUENCE!

**STEPS 21 - 81 ON PAGE 3 IS THE RECOMMENDED ASSEMBLY SEQUENCE FOR A FULL TABLE ASSEMBLY BEFORE INSTALLING ON THE ROOF OF THE VEHICLE.**

**STEPS 2R - 8R ON PAGE 4 IS AN ALTERNATE ASSEMBLY SEQUENCE TO INSTALL THE RACK ON THE VEHICLE ROOF AS IT IS BUILT.**

PLEASE SELECT THE ASSEMBLY SEQUENCE THAT BEST WORKS FOR YOU!

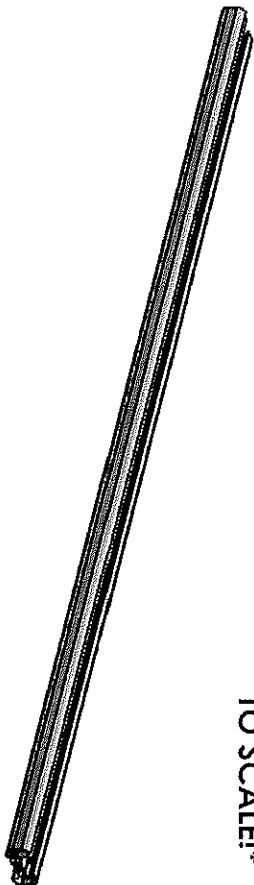


## ASSEMBLY STEPS:

**STEP 1A. SUB-ASSEMBLE EACH CROSSBOW WITH DESIRED ACCESSORIES FOR SECTIONS A.1 & A.2.**

**INSTRUCTIONS FOR EACH KIT CAN BE FOUND IN THEIR RESPECTIVE CARTON!**

TOP OF CROSSBOW \*IMAGE NOT TO SCALE!



BOTTOM OF CROSSBOW

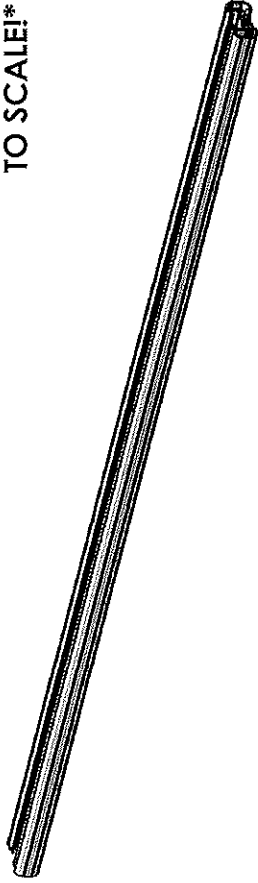
**TABLE 1**

TOP OF CROSSBOW		COMPONENTS TO INSTALL
HD UTILITY		- CONDUIT KIT OR BEACON
Grip-Lock		- CONDUIT KIT OR BEACON
ProLift		- CONDUIT KIT OR BEACON
BOTTOM OF CROSSBOW		
COMPONENTS TO INSTALL		
HD UTILITY		- LADDER STOP, STROBE BRACKET, AND/OR REAR ROLLER
Grip-Lock		- Grip-Lock SUB-ASSEMBLY
ProLift		- DAMPER BRACKET

**STEP 1B. SUB-ASSEMBLE EACH CROSSBOW WITH DESIRED ACCESSORIES FOR SECTIONS B.1 & B.2. INSTRUCTIONS FOR EACH KIT CAN BE FOUND IN THEIR RESPECTIVE CARTON!**

**TOP OF CROSSBOW**

**\*IMAGE NOT TO SCALE!\***



**BOTTOM OF CROSSBOW**

**TABLE 2**

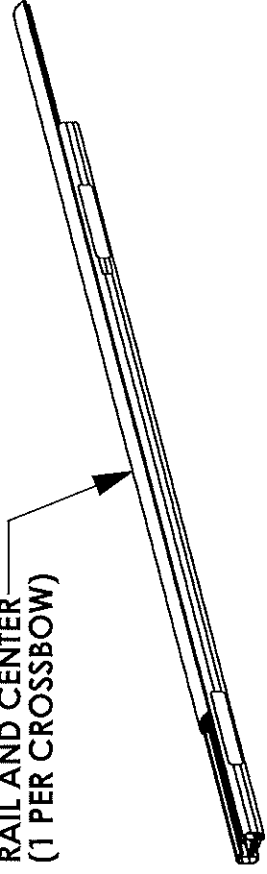
TOP OF CROSSBOW	
COMPONENTS TO INSTALL	
HD UTILITY	- WEAR STRIP (MODIFY IF NECESSARY, TABLE 3)
Grip-Lock	- WEAR STRIP (MODIFY IF NECESSARY, TABLE 3)
ProLift	- INNER STOP POST
BOTTOM OF CROSSBOW	
COMPONENTS TO INSTALL	
HD UTILITY	- MOUNTING BRACKETS
Grip-Lock	- MOUNTING BRACKETS
ProLift	- MOUNTING BRACKETS

**ALTER WEAR STRIP AND INSTALL ON CROSSBOW (IF APPLICABLE)! REFERENCE TABLE 3 BELOW FOR WEAR STRIP ALTERATION INSTRUCTIONS!**

**TABLE 3**

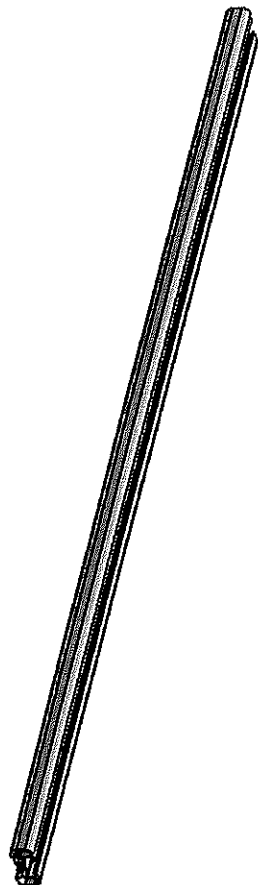
ADDED ACCESSORIES	ALTERATION FOR WEAR STRIP
4" UPRIGHT***	REMOVE 2" FROM END OF WEAR STRIP
4" PVC CONDUIT KIT	REMOVE 7.25" FROM CENTER OF WEAR STRIP
6" PVC CONDUIT KIT	REMOVE 9.50" FROM CENTER OF WEAR STRIP
ALUMINUM BOX CONDUIT KIT	REMOVE 13.25" FROM CENTER OF WEAR STRIP
BEACON	REMOVE 4" FROM CENTER OF WEAR STRIP
ProLift (SINGLE SIDE)	CUT WEAR STRIP IN HALF, DO NOT INSTALL ON ProLift SIDE
ProLift (DUAL SIDE)	DO NOT INSTALL WEAR STRIP

**SLIDE WEAR STRIP INTO RAIL AND CENTER (1 PER CROSSBOW)**



**STEP 1C SUB-ASSEMBLE EACH CROSSBOW WITH DESIRED ACCESSORIES FOR SECTIONS C.1 & C.2**

TOP OF CROSSBOW  
\*IMAGE NOT TO SCALE!\*



BOTTOM OF CROSSBOW

**TABLE 4**

TOP OF CROSSBOW COMPONENTS TO INSTALL	
HD UTILITY	- 4" UPRIGHT
Grip-Lock	- N/A
Prolift	- SLIDES FOR BASE EXTRUSION
BOTTOM OF CROSSBOW COMPONENTS TO INSTALL	
HD UTILITY	- UPRIGHTS (6", 9", RATCHET)
Grip-Lock	- STROBES
Prolift	- STROBES

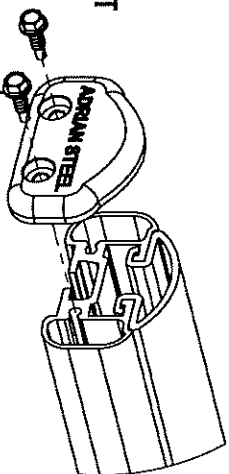
**ASSEMBLY STEPS (FULL BENCH ASSEMBLY):**

- 2T. ADD DRIVELINES (IF INSTALLING Prolift)
- 3T. ADD HANDLES (IF INSTALLING Grip-Lock OR Prolift) AND DAMPERS (IF INSTALLING Prolift)
- 4T. ADD OUTER SUPPORT BARS (IF INSTALLING Grip-Lock OR Prolift)
- 5T. ADD STEP LADDER KIT (Grip-Lock OR Prolift ONLY)

6T. ASSEMBLE ENDS CAPS TO CROSSBOW

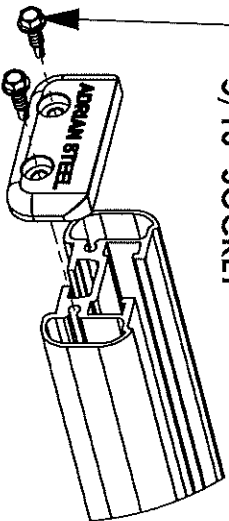
USED FOR HD UTILITY & Grip-Lock RACKS

LOCATED IN CROSSBOW KIT



FULLY TIGHTEN  
(2) FAS0473, 63851  
(2 PLACES PER END CAP)  
5/16" SOCKET

USED FOR Prolift RACKS  
LOCATED IN Prolift Kit



7T. INSTALL ROOF RAIL KIT ON VEHICLE ROOF OR BOTTOM MOUNTING BRACKETS

(ROOF RAIL KIT REQUIRED FOR Grip-Lock & Prolift OPTIONAL FOR HD UTILITY, NOT NEEDED FOR GM LADDER RACKS)

8T. MOUNT CROSSBOW SUB-ASSEMBLIES FROM STEP 1 TO VEHICLE/MOUNTING BRACKET, OR ROOF RAIL (LOOSE INSTALL)

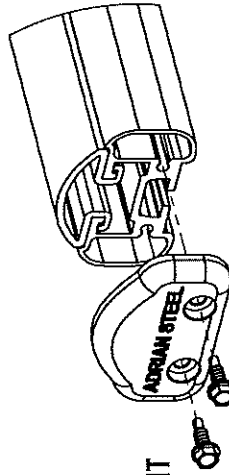
**ALTERNATE ASSEMBLY METHOD!**  
**(ASSEMBLE ON VEHICLE ROOF):**

- 2R. INSTALL ROOF RAIL KIT ON VEHICLE ROOF OR BOTTOM MOUNTING BRACKETS  
(ROOF RAIL KIT REQUIRED FOR Grip-Lock & ProLift, OPTIONAL FOR HD UTILITY, NOT NEEDED FOR GM LADDER RACKS)
- 3R. MOUNT CROSSBOW SUB-ASSEMBLIES FROM STEP 1 TO VEHICLE/MOUNTING BRACKET, OR ROOF RAIL (LOOSE INSTALL)
- 4R. ADD DRIVELINES (IF INSTALLING ProLift)
- 5R. ADD HANDLES (IF INSTALLING Grip-Lock OR ProLift) AND DAMPERS (IF INSTALLING ProLift)
- 6R. ADD OUTER SUPPORT BARS (IF INSTALLING Grip-Lock OR ProLift)
- 7R. ADD STEP LADDER KIT (Grip-Lock OR ProLift ONLY!)

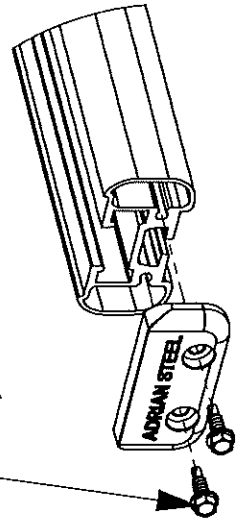
8R. ASSEMBLE END CAPS TO CROSSBOW

USED FOR HD UTILITY & Grip-Lock RACKS

LOCATED IN CROSSBOW KIT



FULLY TIGHTEN  
(2) FAS0473, 63851  
(2 PLACES PER END CAP)  
5/16" SOCKET



USED FOR ProLift RACKS  
LOCATED IN ProLift Kit