



## Driver Side Grip-Lock Kit, Full Size Van



PRODUCT WEIGHT  
**37.7 LBS**

WIDTH x DEPTH x HEIGHT  
**22" x 88" x 11"**

CAPACITY  
**N/A**

COLOR  
**WHITE/BLACK**

CATALOG NUMBER  
**GL-FSVDS**

### PRODUCT FEATURES

Driver side kit PROFILE™ Grip-Lock and combo ladder racks. Works with all conduit kits.

Works on GM Express/Savana, Ford Transit Low Roof, and Nissan NV Low Roof vans. Not recommended for Medium Roof, High Roof, Ram Promaster Low Roof, or Mercedes Sprinter Low Roof vans.

Please refer to OEM specific mounting kit or rail kit for additional information on compatible accessories.

**SEE PAGE 2 FOR APPLICATION NOTES AND ACCESSORIES, OTHER PRODUCTS THAT WORK WITH THIS UNIT.**

### PAGE 1 of 2

The information contained in this document is the sole property of ADRIAN STEEL COMPANY. ADRIAN STEEL COMPANY retains the right to modify and/or change the product of its design at any time without prior notification.



**CATALOG NUMBER      GL-FSVDS**

***PRODUCT APPLICATION***

**Driver side kit PROFILE™ Grip-Lock and combo ladder racks. Works with all conduit kits. Works on GM Express/Savana, Ford Transit Low Roof, and Nissan NV Low Roof vans. Not recommended for Medium Roof, High Roof, Ram Promaster Low Roof, or Mercedes Sprinter Low Roof vans.**

***ACCESSORIES THAT WILL WORK WITH THIS PRODUCT***

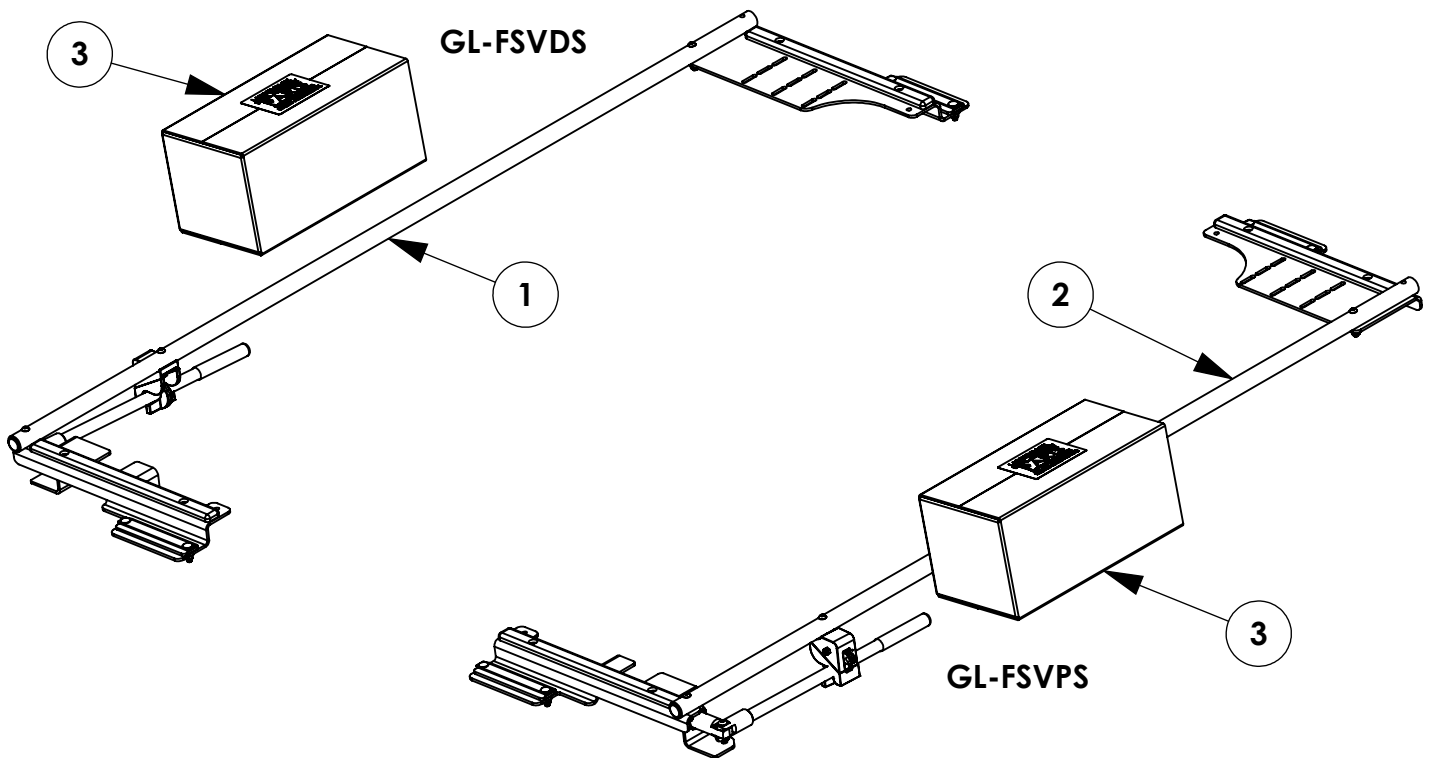
| <b><i>CATALOG NUMBER</i></b> | <b><i>DESCRIPTION</i></b>                             |
|------------------------------|---|
| <b>2BARW</b>                 | <b>2-Crossbar Kit, 68”, White, Full Size Van</b>      |
| <b>2BARCW</b>                | <b>2-Crossbar Kit, 58”, White, Minivan</b>            |
| <b>1BARW</b>                 | <b>Single Crossbar Kit, 68”, White, Full Size Van</b> |
| <b>1BARCW</b>                | <b>Single Crossbar Kit, 58”, White, Minivan</b>       |

| INSTR. NUMBER : 70691   | PG: 1 | REV: B | ITEM NO. | PART NUMBER | DESCRIPTION            | GL-FSVDS | GL-FSVPS |
|---|-------|--------|----------|-------------|------------------------|----------|----------|
| PART NUMBER • <b>GL-FSVDS</b><br>PART NUMBER • <b>GL-FSVPS</b>                  |       |        | 1        | 69445       | GRIP LOCK FSV, ASM DS  | 1        | -        |
|   |       |        | 2        | 69444       | GRIP LOCK FSV, ASM PS  | -        | 1        |
| PART • <b>GL FULL SIZE VEHICLE DS</b><br>DESC. • <b>GL FULL SIZE VEHICLE PS</b> |       |        | 3        | 66373       | GRIP LOCK BRKTS & HORN | 1        | 1        |

**NOTE: THIS INSTRUCTION IS VALID FOR THE FOLLOWING KITS:**

- GL-FSVDS
- GL-FSVPS
- GL-FSVPSB
- GL-FSVDSB

**NOTE: 66357, 69444, & 69445 ARE AVAILABLE IN BLACK VARIANTS - FOR THEIR IDENTIFICATION, ADD THE "-B" SUFFIX TO THE END OF THE PART NUMBER**



**\*\*IF BUILDING A DUAL SIDED RACK BUILD BOTH SIDES IN PARALLEL FOR EACH STEP. IF BUILDING SINGLE SIDED REFERENCE ONLY THAT SIDE WHEN BUILDING.\*\***

**TOOLS NEEDED:**  
 1/2" SOCKET  
 1/2" WRENCH  
 9/16" SOCKET  
 3/16" ALLEN WRENCH  
 DRIVE RATCHET  
 IMPACT DRIVER

**GET TO KNOW THE VEHICLE** - AT THE BEGINNING OF ANY INSTALLATION, CHECK THE LOCATION OF THE FUEL TANK, FUEL LINES, BRAKE LINES, HIGH VOLTAGE BATTERIES AND WIRING HARNESSSES TO AVOID INJURY OR PROPERTY DAMAGE FROM TOOL CONTACT.

**SEAL ALL EXTERIOR HOLES** - ALL INSTALLATION HOLES SHOULD BE SEALED WITH BUTYL TAPE OR SILICON TO PREVENT WATER AND EXHAUST GASES FROM ENTERING THE VEHICLE.

**CONTROL DRILL DEPTH** - TO AVOID DAMAGE TO THE VEHICLE, USE A DRILL STOP OR CLEARED STEP BIT WHEN DRILLING INSTALLATION HOLES.

**ALWAYS ADD PRIMER** - WHEN ADDING INSTALLATION HOLES BE SURE TO USE A SELF-ETCHING PRIMER TO PREVENT CORROSION, FASTENER FAILURE AND INJURY.

**MOUNTING POINTS MUST HAVE METAL-TO-METAL CONTACT** - USE PROVIDED MOUNTING SPACERS TO ACCOMMODATE FOR VEHICLE FEATURES, CARPET OR SUBFLOORS.

**PROVIDE CLEARANCE FOR SPACERS** - IF THE INSTALLATION VEHICLE CONTAINS A CARPET OR SUBFLOOR, USE A 1-3/16" DIAMETER CARPET CUTTER (P/N: 31183-0) AT ALL MOUNTING LOCATIONS TO OPEN UP ROOM FOR SPACERS.

**CHECK SPACER ORIENTATION** - BE SURE THAT THE INDENT IN THE SPACER COVERS THE PLUSNUT HEAD; THIS ENSURES THE MOST METAL-TO-METAL CONTACT AND REDUCES VIBRATION.

**PLUSNUT INSTALLATION** - A PLUSNUT GUN IS RECOMMENDED FOR PLUSNUT INSTALLATION FOR ITS PRODUCTION SPEED. HOWEVER, A PLUSNUT SETTING TOOL CAN ALSO BE USED (P/N: 22200-0).

**THRU-BOLT CLEARANCE** - WHEN USING A THRU-BOLT AT ANY MOUNTING LOCATION, BE SURE THAT YOUR HOLE HAS 1/16" CLEARANCE.

PAGE:

**3**

***FASTENERS USED  
BAG REFERENCE:***

**NO FASTENER BAG  
ALL FASTENERS INCLUDED IN ASSEMBLY**

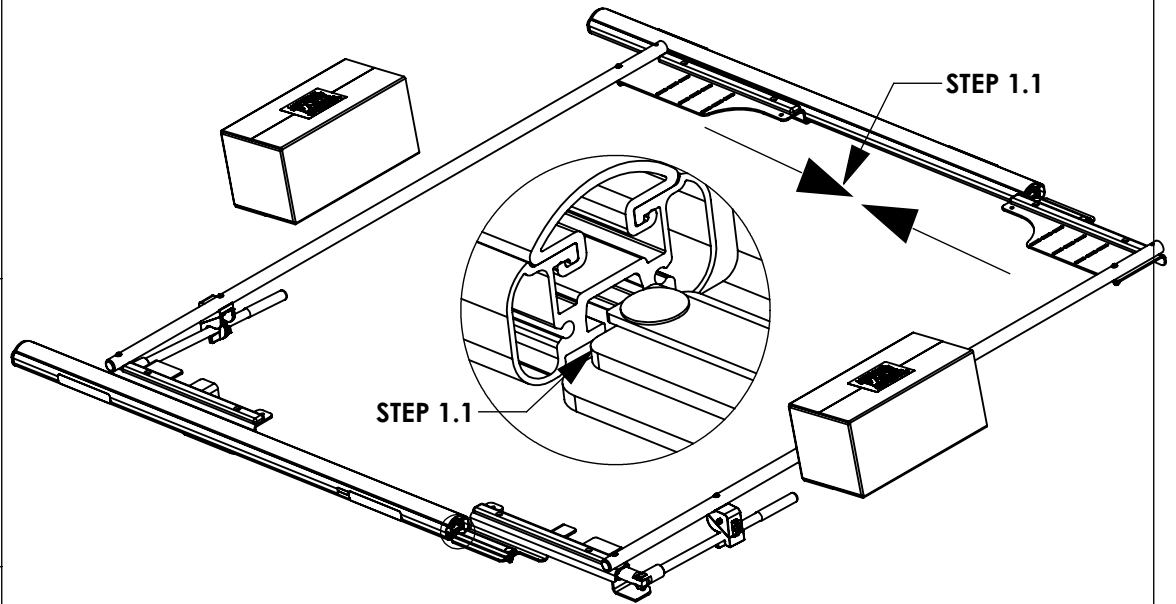
# STEP 1 - INSTALL GRIP LOCK FOR SHIP THRU

**STEP 1.1**  
SLIDE GRIP LOCK  
INTO CROSSBOW

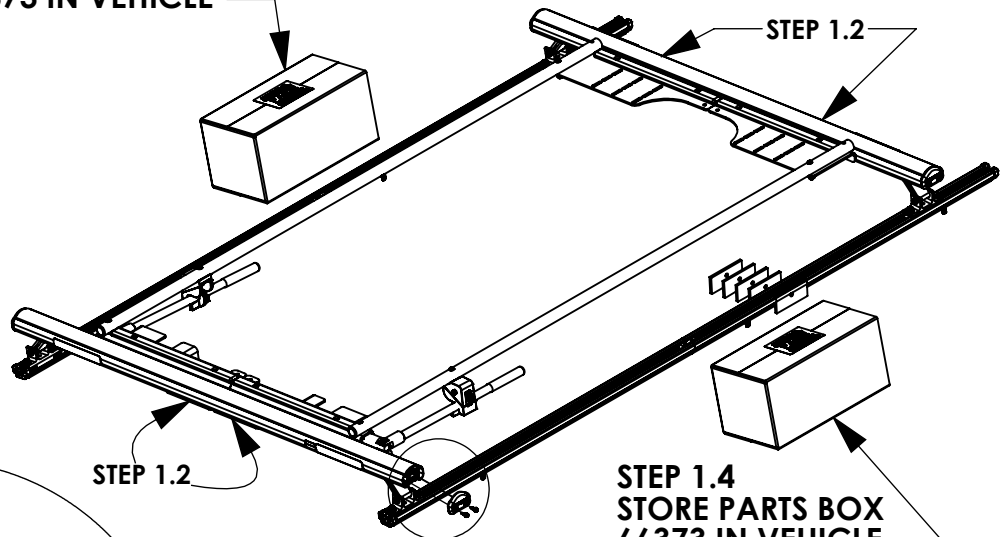
**STEP 1.2**  
SLIDE RACKS ALL  
THE WAY TO CENTER  
OF CROSSBOW AND  
FULLY TIGHTEN FOR  
SHIP THRU  
TRANSPORTATION  
1/2" SOCKET

**STEP 1.3**  
FULLY TIGHTEN  
END CAPS  
FAS0473, 63851  
(02 PLACES PER END  
CAP)  
5/16" SOCKET

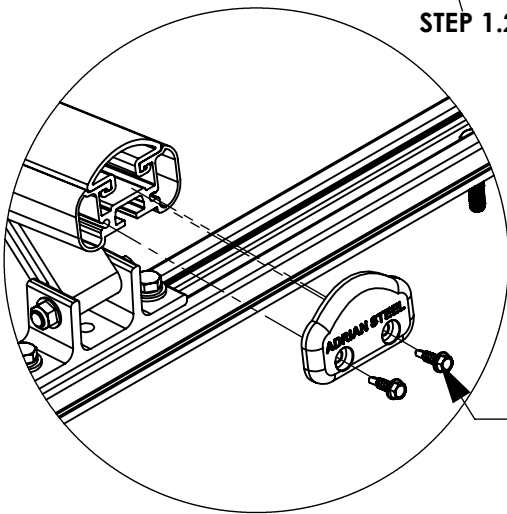
**STEP 1.4**  
STORE PARTS BOX  
66373 IN VEHICLE  
FOR FINAL INSTALL  
(1 BOX FOR SINGLE,  
2 BOXES FOR  
DOUBLE)



**STEP 1.4**  
STORE PARTS BOX  
66373 IN VEHICLE



**STEP 1.4**  
STORE PARTS BOX  
66373 IN VEHICLE



**STEP 1.3**

**CHECK THAT ALL FASTENERS ARE TIGHTENED!!! INSTALLATION IS COMPLETE**



## Passenger Side Grip-Lock Kit, Full Size Van



PRODUCT WEIGHT  
**37.7 LBS**

WIDTH x DEPTH x HEIGHT  
**22" x 88" x 11"**

CAPACITY  
**N/A**

COLOR  
**WHITE/BLACK**

CATALOG NUMBER  
**GL-FSVPS**

### PRODUCT FEATURES

Passenger side kit for PROFILE™ Grip-Lock and combo ladder racks. Works with all conduit kits.

Works on GM Express/Savana, Ford Transit Low Roof, and Nissan NV Low Roof vans. Not recommended for Medium Roof, High Roof, Ram Promaster Low Roof, or Mercedes Sprinter Low Roof vans.

Please refer to OEM specific mounting kit or rail kit for additional information on compatible accessories.

**SEE PAGE 2 FOR APPLICATION NOTES AND ACCESSORIES, OTHER PRODUCTS THAT WORK WITH THIS UNIT.**

### PAGE 1 of 2

The information contained in this document is the sole property of ADRIAN STEEL COMPANY. ADRIAN STEEL COMPANY retains the right to modify and/or change the product of its design at any time without prior notification.



**CATALOG NUMBER      GL-FSVPS**

**PRODUCT APPLICATION**

**Passenger side kit for PROFILE™ Grip-Lock and combo ladder racks. Works with all conduit kits. Works on GM Express/Savana, Ford Transit Low Roof, and Nissan NV Low Roof vans. Not recommended for Medium Roof, High Roof, Ram Promaster Low Roof, or Mercedes Sprinter Low Roof vans.**

**ACCESSORIES THAT WILL WORK WITH THIS PRODUCT**

| <b>CATALOG NUMBER</b> | <b>DESCRIPTION</b>                                    |
|-----------------------|---|
| <b>2BARW</b>          | <b>2-Crossbar Kit, 68”, White, Full Size Van</b>      |
| <b>2BARCW</b>         | <b>2-Crossbar Kit, 58”, White, Minivan</b>            |
| <b>1BARW</b>          | <b>Single Crossbar Kit, 68”, White, Full Size Van</b> |
| <b>1BARCW</b>         | <b>Single Crossbar Kit, 58”, White, Minivan</b>       |





## Mounting Roof Rail Kit, 96", Multiple Pickups

PRODUCT WEIGHT

**14.89 LBS**

HEIGHT OFF ROOF

**SEE TABLE BELOW**

CAPACITY

**500 LBS**

COLOR

**RAW**

CATALOG NUMBER

**RRKTOP96**



### PRODUCT FEATURES

**Aluminum roof rail mounting kit for the PROFILE™ HD Utility, Grip-Lock, ProLift (coming soon), and combo ladder racks for pickup trucks with toppers. Must be mounted to the topper's welded in reinforcement plates. Works for truck beds that are 96"+ in length!**

**Rail kit validated on ARE & LEER toppers ONLY! All other topper brands have not been validated.**

**For cab high or +3" toppers. Toppers taller than this may not allow for rack to span entire intended width.**

**SEE PAGE 2 FOR APPLICATION NOTES AND ACCESSORIES, OTHER PRODUCTS THAT WORK WITH THIS UNIT.**

**PAGE 1 of 3**

The information contained in this document is the sole property of ADRIAN STEEL COMPANY. ADRIAN STEEL COMPANY retains the right to modify and/or change the product of its design at any time without prior notification.



**CATALOG NUMBER RRKTOP96**

**ACCESSORIES THAT WILL WORK WITH THIS PRODUCT**

| CATALOG NUMBER                | DESCRIPTION | CATALOG NUMBER                | DESCRIPTION |
|-------------------------------|-------------|-------------------------------|-------------|
| <b>White Kit Part Numbers</b> |             | <b>Black Kit Part Numbers</b> |             |

**Crossbow Kits**

|        |  |        |  |
|--------|--|--------|--|
| 2BARCW | 2-Crossbar Kit, 48", White, Minivan      | 2BARCB | 2-Crossbar Kit, 48", Black, Minivan      |
| 1BARCW | Single Crossbar Kit, 48", White, Minivan | 1BARCB | Single Crossbar Kit, 48", Black, Minivan |

**Mounting Bracket Kits**

|         |  |         |  |
|---------|--|---------|--|
| URMBK4W | Mounting Bracket Kit, 4-Pack, White, Multiple Vehicles | URMBK4B | Mounting Bracket Kit, 4-Pack, Black, Multiple Vehicles |
| URMBK2W | Mounting Bracket Kit, 2-Pack, White, Multiple Vehicles | URMBK2B | Mounting Bracket Kit, 2-Pack, Black, Multiple Vehicles |

**Ladder Stop & Upright Kits**

|        |                                       |         |                                       |
|--------|---------------------------------------|---------|---------------------------------------|
| ULSKB  | Single Ladder Stop Kit, Black         | ULSKAB  | Single Ladder Stop Kit, Black         |
| 4UPK4B | 4" Upright Kit, 4-Pack, Black         | 4UPK4AB | 4" Upright Kit, 4-Pack, Black         |
| 4UPK2B | 4" Upright Kit, 2-Pack, Black         | 4UPK2AB | 4" Upright Kit, 2-Pack, Black         |
| 6UPK4B | 6" Upright Kit, 4-Pack, Black         | 6UPK4AB | 6" Upright Kit, 4-Pack, Black         |
| 6UPK2B | 6" Upright Kit, 2-Pack, Black         | 6UPK2AB | 6" Upright Kit, 2-Pack, Black         |
| 9UPK4B | 9" Upright Kit, 4-Pack, Black         | 9UPK4AB | 9" Upright Kit, 4-Pack, Black         |
| 9UPK2B | 9" Upright Kit, 2-Pack, Black         | 9UPK2AB | 9" Upright Kit, 2-Pack, Black         |
| RSK1B  | Single Ratchet Upright Kit, 9", Black | RSK1AB  | Single Ratchet Upright Kit, 9", Black |

**Grip-Lock Kits**

|          |  |           |  |
|----------|--|-----------|--|
| GL-FSVPS | Passenger Side Grip-Lock Kit, White, Full Size Van | GL-FSVPSB | Passenger Side Grip-Lock Kit, Black, Full Size Van |
| GL-FSVDS | Driver Side Grip-Lock Kit, White, Full Size Van    | GL-FSVDSB | Driver Side Grip-Lock Kit, Black, Full Size Van    |

**Continued on Page 3**



**CATALOG NUMBER**

**RRKTOP96**

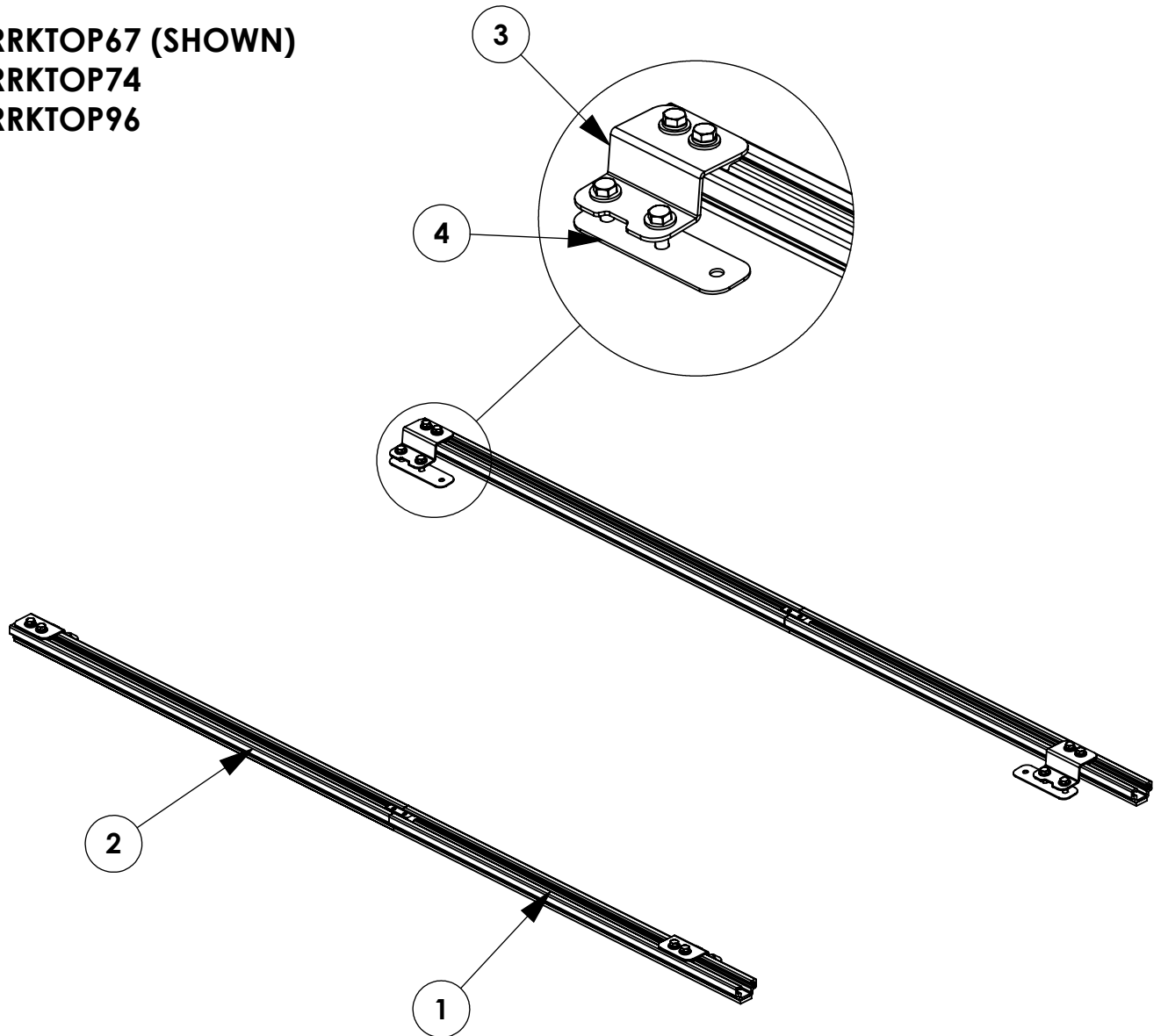
***LADDER RACK HEIGHTS MEASURED FROM ROOF OF VEHICLE***

| <b>CONFIGURATION</b>       | <b>RACK HEIGHT</b> |
|----------------------------|--------------------|
| Base Rack                  | 6.6"               |
| Base + Ladder Stop         | 12.1"              |
| Base + 4" Uprights         | 10.1"              |
| Base + 6" Uprights         | 12.1"              |
| Base + 9"/Ratchet Uprights | 15.1"              |
| Base + Grip-Lock           | 13.3"              |

| INSTR. NUMBER : 69250   | PG: 1 | REV: B | ITEM NO. | PART NUMBER | DESCRIPTION                   | RRKTOP67 | RRKTOP74 | RRKTOP96 |
|---|-------|--------|----------|-------------|-------------------------------|----------|----------|----------|
| <b>RRKTOP67</b><br>PART NUMBER : <b>RRKTOP74</b><br><b>RRKTOP96</b>                                 |       |        | 1        | BLK69242    | RAIL, 32.00                   | 2        | -        | -        |
|   |       |        | 2        | BLK66194    | RAIL, 35.00                   | 2        | 2        | -        |
|   |       |        | 3        | 69241       | TOPPER RAIL BRACKET           | 4        | 4        | 4        |
| PART DESC. : ROOF RAIL KIT, TOPPER, 67"<br>ROOF RAIL KIT, TOPPER, 74"<br>ROOF RAIL KIT, TOPPER, 96" |       |        | 4        | 66056       | UTILITY, TOP SUPPORT PLATE    | 4        | 4        | 4        |
|   |       |        | 5        | BLK66067    | RAIL, 39.00                   | -        | 2        | -        |
|   |       |        | 6        | 63373       | ROOF RAIL PM 118, 159, 159EXT | -        | -        | 4        |

**NOTE: THIS INSTRUCTION IS VALID FOR THE FOLLOWING KITS:**

- RRKTOP67 (SHOWN)
- RRKTOP74
- RRKTOP96



**GET TO KNOW THE VEHICLE** - AT THE BEGINNING OF ANY INSTALLATION, CHECK THE LOCATION OF THE FUEL TANK, FUEL LINES, BRAKE LINES, HIGH VOLTAGE BATTERIES AND WIRING HARNESSSES TO AVOID INJURY OR PROPERTY DAMAGE FROM TOOL CONTACT.

**SEAL ALL EXTERIOR HOLES** - ALL INSTALLATION HOLES SHOULD BE SEALED WITH BUTYL TAPE OR SILICON TO PREVENT WATER AND EXHAUST GASES FROM ENTERING THE VEHICLE.

**CONTROL DRILL DEPTH** - TO AVOID DAMAGE TO THE VEHICLE, USE A DRILL STOP OR CLEARED STEP BIT WHEN DRILLING INSTALLATION HOLES.

**ALWAYS ADD PRIMER** - WHEN ADDING INSTALLATION HOLES BE SURE TO USE A SELF-ETCHING PRIMER TO PREVENT CORROSION, FASTENER FAILURE AND INJURY.

**MOUNTING POINTS MUST HAVE METAL-TO-METAL CONTACT** - USE PROVIDED MOUNTING SPACERS TO ACCOMMODATE FOR VEHICLE FEATURES, CARPET OR SUBFLOORS.

**PROVIDE CLEARANCE FOR SPACERS** - IF THE INSTALLATION VEHICLE CONTAINS A CARPET OR SUBFLOOR, USE A 1-3/16" DIAMETER CARPET CUTTER (P/N: 31183-0) AT ALL MOUNTING LOCATIONS TO OPEN UP ROOM FOR SPACERS.

**CHECK SPACER ORIENTATION** - BE SURE THAT THE INDENT IN THE SPACER COVERS THE PLUSNUT HEAD; THIS ENSURES THE MOST METAL-TO-METAL CONTACT AND REDUCES VIBRATION.

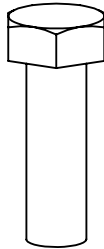
**PLUSNUT INSTALLATION** - A PLUSNUT GUN IS RECOMMENDED FOR PLUSNUT INSTALLATION FOR ITS PRODUCTION SPEED. HOWEVER, A PLUSNUT SETTING TOOL CAN ALSO BE USED (P/N: 22200-0).

**THRU-BOLT CLEARANCE** - WHEN USING A THRU-BOLT AT ANY MOUNTING LOCATION, BE SURE THAT YOUR HOLE HAS 1/16" CLEARANCE.

**FASTENERS USED**



**FAS0497**  
**5/16-18X.75 SS**  
**SET SCREW**  
**QTY: 4**



**FAS0597**  
**5/16-18X1.0 SS**  
**HH SCREW**  
**QTY: 8**



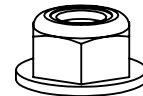
**FAS0830**  
**5/16-18X1.25 SS**  
**SCREW, HH**  
**QTY: 8**



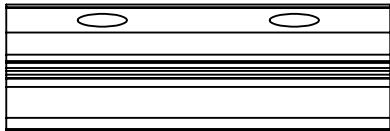
**FAS0588**  
**5/16 SS**  
**SPLIT WASHER**  
**QTY: 8**



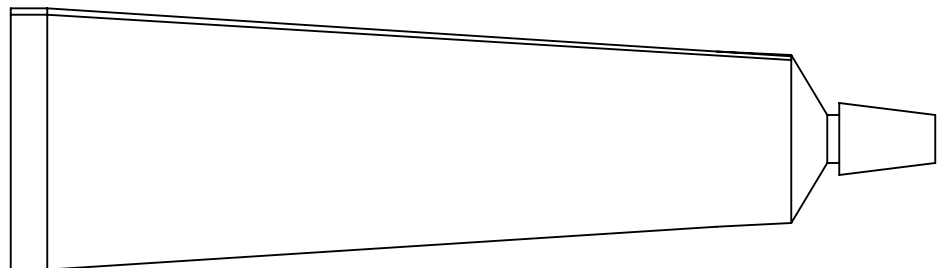
**FAS0552**  
**5/16 SS**  
**FLAT WASHER**  
**QTY: 16**



**FAS0861**  
**5/16-18 SS**  
**HH FLG NUT**  
**QTY: 8**

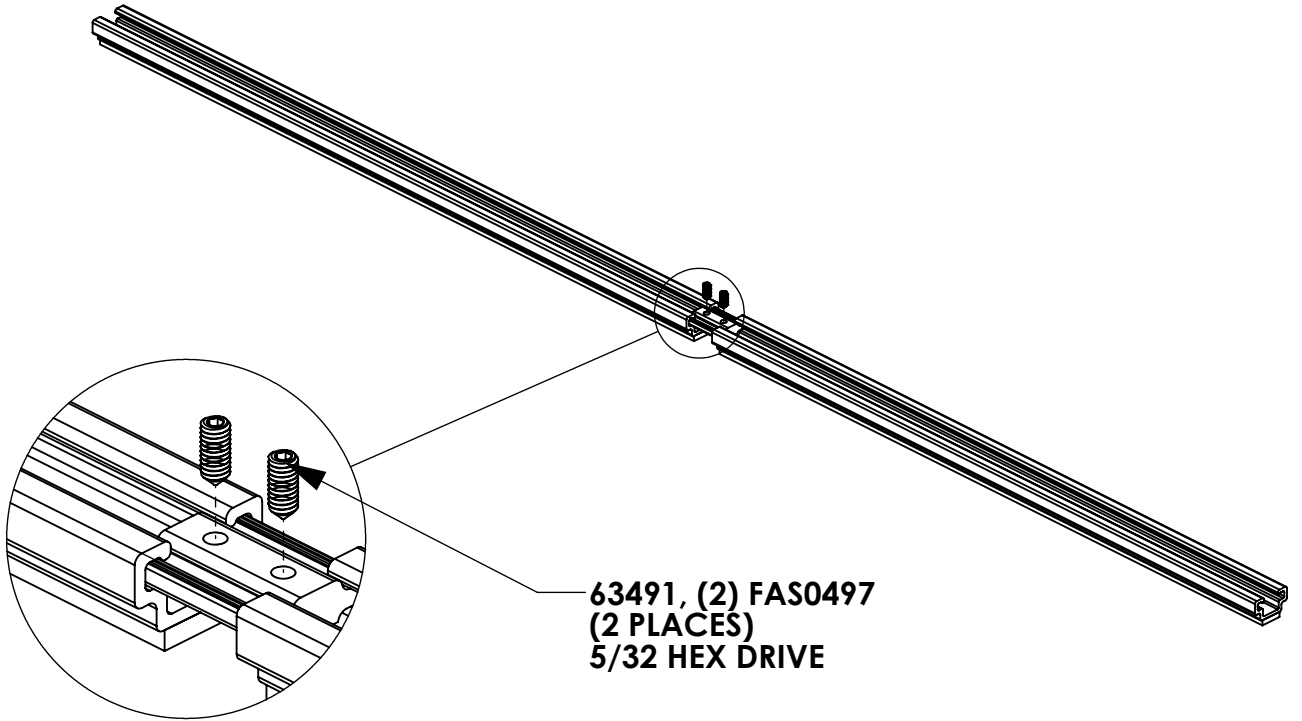


**63491**  
**RAIL SLIDE**  
**2"**  
**QTY: 6**



**26618-0**  
**SILICONE**  
**1 OZ TUBE**  
**QTY: 1**

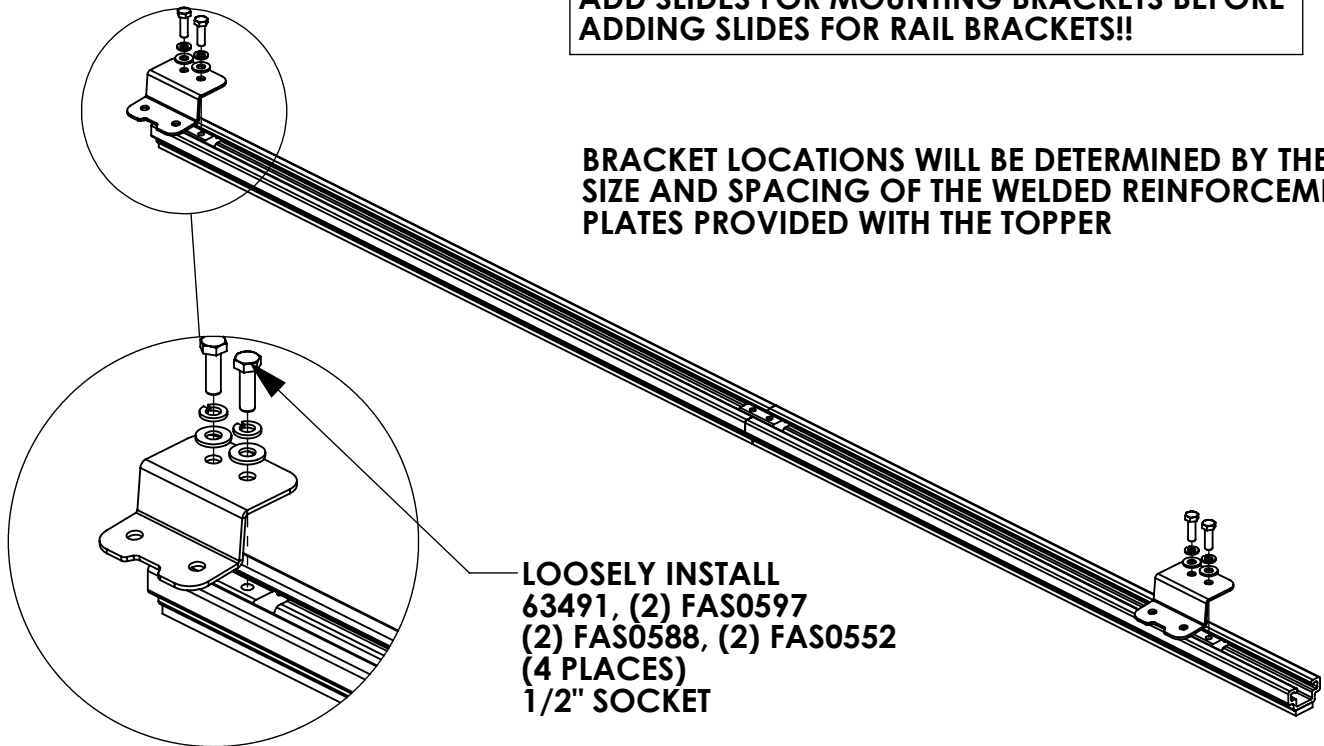
**STEP 1 - CONNECT ROOF RAILS**



**STEP 2 - ASSEMBLE BRACKETS TO ROOF RAILS**

**ADD SLIDES FOR MOUNTING BRACKETS BEFORE ADDING SLIDES FOR RAIL BRACKETS!!**

**BRACKET LOCATIONS WILL BE DETERMINED BY THE SIZE AND SPACING OF THE WELDED REINFORCEMENT PLATES PROVIDED WITH THE TOPPER**



**STEP 3 - MARK AND DRILL HOLES TO MOUNT RAILS****NOTE: INSIDE OF TOPPER SHOWN HERE**

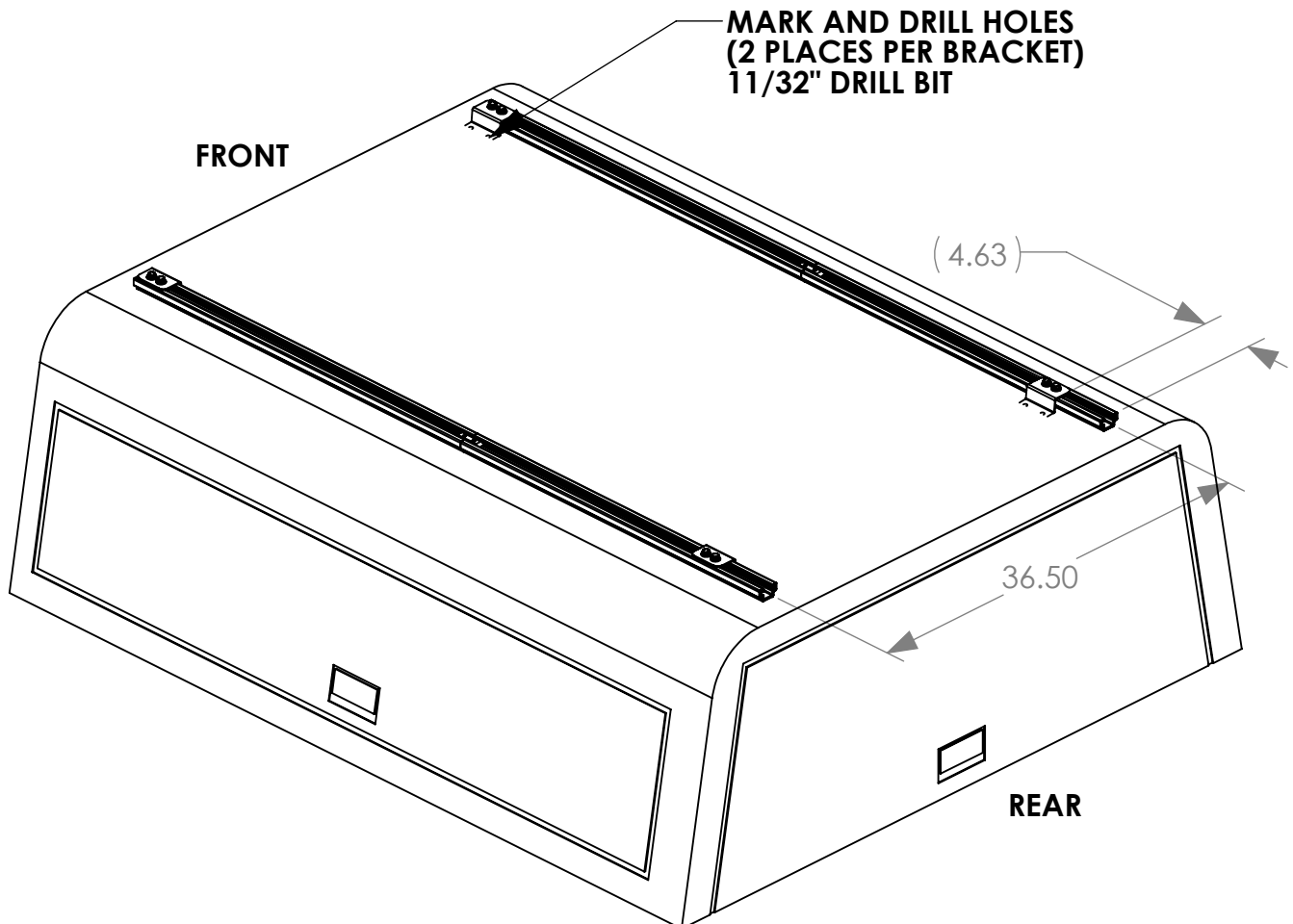
LOCATE THE REINFORCEMENT PLATES ON BOTH SIDES OF TOPPER (FRONT AND REAR).

MOUNTING HOLES IN RAIL BRACKETS NEED TO BE ABOVE THESE WHEN INSTALLED!!!



SET RAILS WITH BRACKETS ON ROOF, CENTER-TO-CENTER DISTANCE OF RAILS MUST BE A MINIMUM OF 36.5", CENTERED ON THE TOPPER.

PLEASE ENSURE THE SPACING OF THE RAIL BRACKETS PROVIDE ENOUGH CLEARANCE FOR THE MOUNTING BRACKETS OF THE RACK TO BE INSTALLED. RACK SHOULD BE INSTALLED AS FAR REARWARD AS POSSIBLE.





**STEP 4 - MOUNT RAILS TO TOPPER**

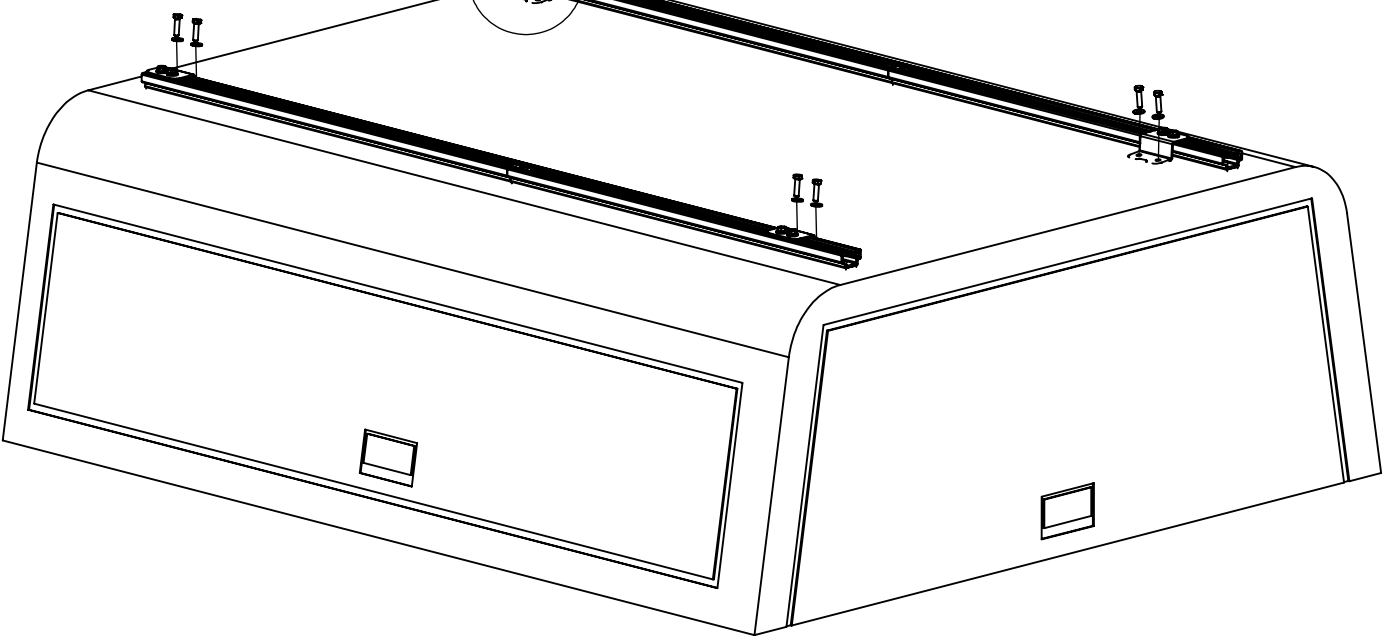
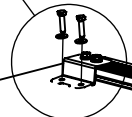
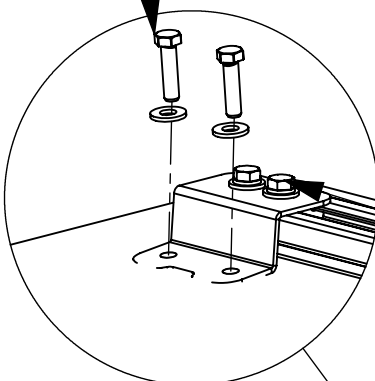
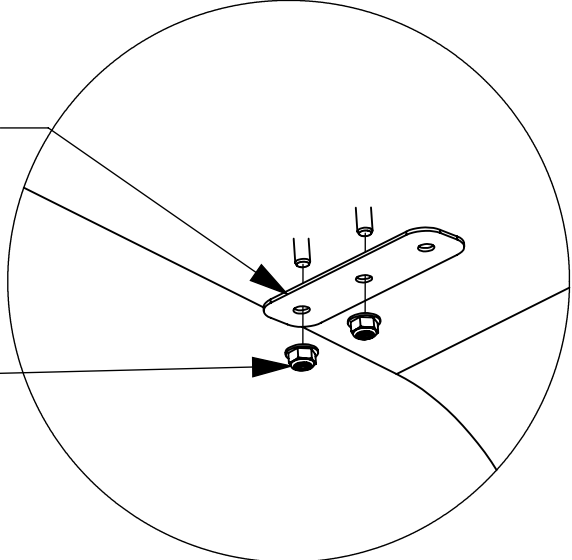
**NOTE: INSIDE OF TOPPER SHOWN HERE**

**POSITION PLATE TO ALLOW THE MOST SURFACE AREA OF THE PLATE TO CONTACT THE WELDED REINFORCEMENT PLATES.**

**FAS0830, FAS0552, FAS0861  
(2 PLACES PER BRACKET)  
1/2" SOCKET  
1/2" WRENCH**

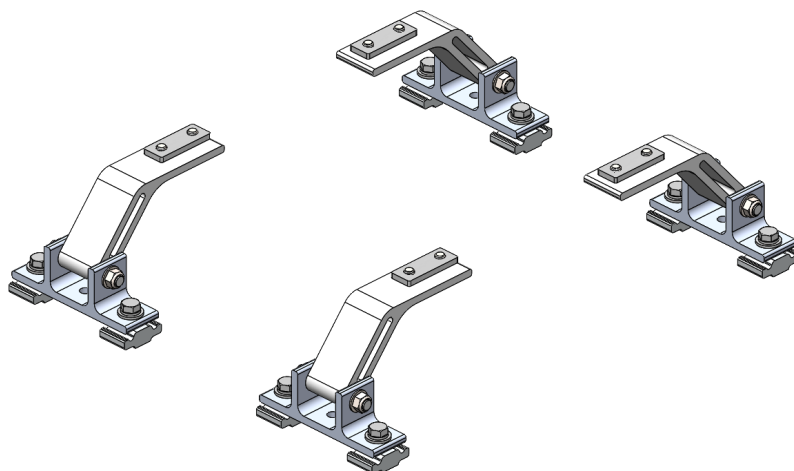
**FULLY TIGHTEN BOLTS  
(2 PLACES PER BRACKET)  
1/2" SOCKET**

**POKE FASTENERS THROUGH FOAM TAPE.  
APPLY SILICONE AROUND DRILLED HOLES!**





## Mounting Bracket Kit, 4-Pack, White, Multiple Pickups



PRODUCT WEIGHT  
**4.0 LBS**

HEIGHT OFF ROOF  
**SEE TABLE BELOW**

CAPACITY  
**REFER TO OEM'S  
RECOMMENDED LOAD  
RATING**  
COLOR

**WHITE**

CATALOG NUMBER

**URMBK4W**

### PRODUCT FEATURES

**Aluminum mounting bracket kit for the PROFILE™ HD Utility, Grip-Lock, and/or ProLift ladder racks. Only works with the OEM specific, Adrian Steel supplied roof rail kit.**

**Utility and Grip-Lock racks are not recommended for medium or high roof vehicles!**

**Reference respective OEM specific roof rail kit for more detailed list of compatible accessories.**

**SEE PAGE 2 FOR APPLICATION NOTES AND ACCESSORIES, OTHER PRODUCTS THAT WORK WITH THIS UNIT.**

### PAGE 1 of 2

The information contained in this document is the sole property of ADRIAN STEEL COMPANY. ADRIAN STEEL COMPANY retains the right to modify and/or change the product of its design at any time without prior notification.



**CATALOG NUMBER URMBK4W**

**PRODUCT APPLICATION**

**This product is designed to work with OEM specific rail kit for HD Utility, Grip-Lock, and/or ProLift racks. HD Utility and Grip-Lock racks are not recommended for medium or high roof vehicles!**

**ACCESSORIES THAT WILL WORK WITH THIS PRODUCT**

| CATALOG NUMBER | DESCRIPTION                                | CATALOG NUMBER | DESCRIPTION   |
|----------------|--|----------------|---|
| RRKFT          | Mounting Roof Rail Kit, Transit            | RRKNVFSV       | Mounting Roof Rail Kit, NV  |
| RRKSP          | Mounting Roof Rail Kit, Sprinter           | RRKPM          | Mounting Roof Rail Kit, ProMaster, 118" WB, 159" WB, 159" WB Extended |
| RRKPM136WB     | Mounting Roof Rail Kit, ProMaster, 136" WB | RRKSBTOP       | Mounting Roof Rail Kit, Multiple Pickups                              |
| RRKLBTOP       | Mounting Roof Rail Kit, Multiple Pickups   |                |   |

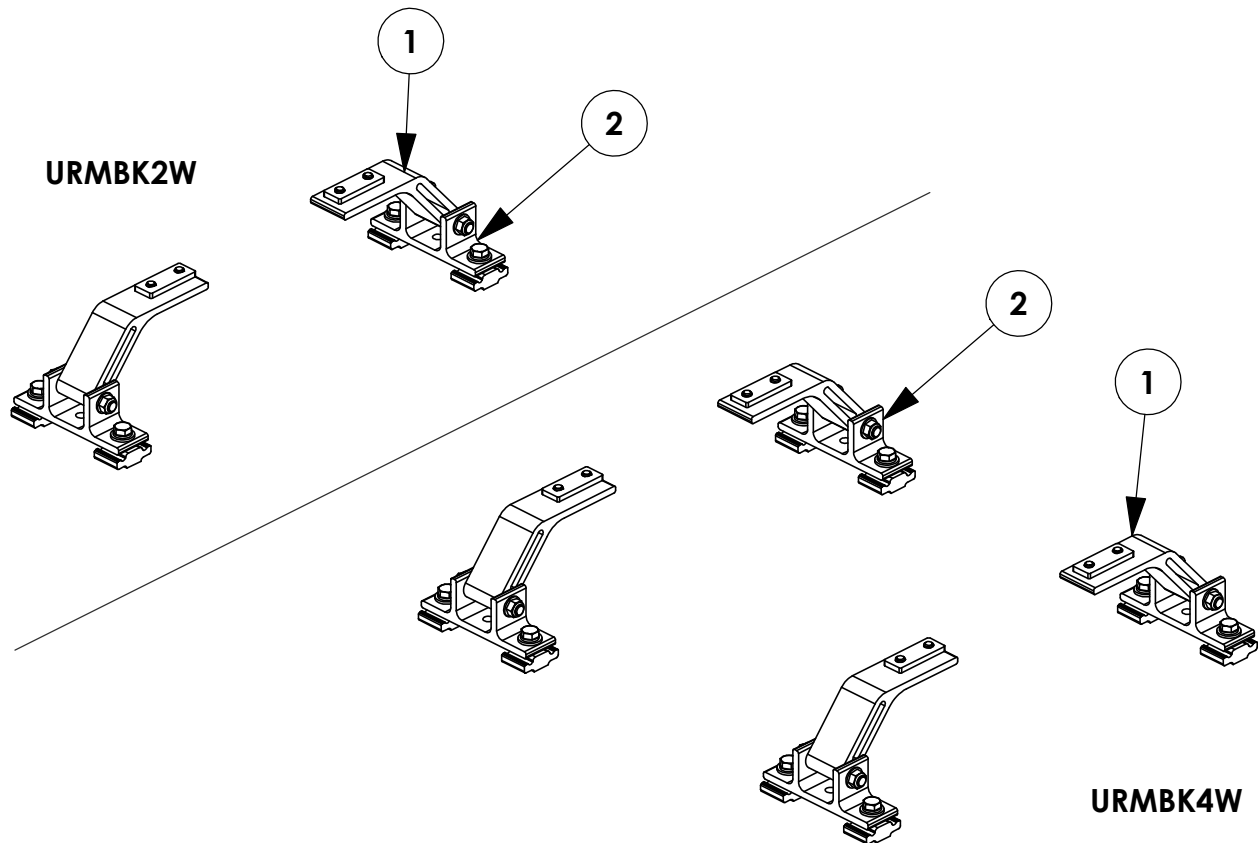
**Reference respective OEM specific roof rail kit for more detailed list of compatible accessories.**

|  |                            |               |          |             |                              |         |         |
|--|----------------------------|---------------|----------|-------------|------------------------------|---------|---------|
| INSTR. NUMBER : <b>66850</b>           | PG: <b>1</b>               | REV: <b>D</b> | ITEM NO. | PART NUMBER | DESCRIPTION                  | URMBK4W | URMBK2W |
|  | PART NUMBER : <b>URMBK</b> |               | 1        | 65123-W     | UTILITY, FT MOUNT ARM, ST, W | 4       | 2       |
| PART DESC. : UTILITY, MNT BKT KT, RAIL |                            |               | 2        | 63852-W     | UTILITY, MOUNTING BRKT, W    | 4       | 2       |

**-PART NUMBERS WITH "-W" SUFFIX ARE PAINTED WHITE  
-FOR BLACK MOUNTING KITS, REPLACE "-W" PARTS WITH "-B" PARTS**

**NOTE: THIS INSTRUCTION IS VALID FOR THE FOLLOWING KITS:**

- URMBK4W
- URMBK4B
- URMBK2W
- URMBK2B



**TOOLS NEEDED:**

- DRIVE RATCHET
- IMPACT DRIVER
- 3/16" SOCKET
- 1/2" SOCKET
- 1/2" WRENCH
- TAPE MEASURE

**GET TO KNOW THE VEHICLE** - AT THE BEGINNING OF ANY INSTALLATION, CHECK THE LOCATION OF THE FUEL TANK, FUEL LINES, BRAKE LINES, HIGH VOLTAGE BATTERIES AND WIRING HARNESSSES TO AVOID INJURY OR PROPERTY DAMAGE FROM TOOL CONTACT.

**SEAL ALL EXTERIOR HOLES** - ALL INSTALLATION HOLES SHOULD BE SEALED WITH BUTYL TAPE OR SILICON TO PREVENT WATER AND EXHAUST GASES FROM ENTERING THE VEHICLE.

**CONTROL DRILL DEPTH** - TO AVOID DAMAGE TO THE VEHICLE, USE A DRILL STOP OR CLEARED STEP BIT WHEN DRILLING INSTALLATION HOLES.

**ALWAYS ADD PRIMER** - WHEN ADDING INSTALLATION HOLES BE SURE TO USE A SELF-ETCHING PRIMER TO PREVENT CORROSION, FASTENER FAILURE AND INJURY.

**MOUNTING POINTS MUST HAVE METAL-TO-METAL CONTACT** - USE PROVIDED MOUNTING SPACERS TO ACCOMMODATE FOR VEHICLE FEATURES, CARPET OR SUBFLOORS.

**PROVIDE CLEARANCE FOR SPACERS** - IF THE INSTALLATION VEHICLE CONTAINS A CARPET OR SUBFLOOR, USE A 1-3/16" DIAMETER CARPET CUTTER (P/N: 31183-0) AT ALL MOUNTING LOCATIONS TO OPEN UP ROOM FOR SPACERS.

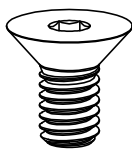
**CHECK SPACER ORIENTATION** - BE SURE THAT THE INDENT IN THE SPACER COVERS THE PLUSNUT HEAD; THIS ENSURES THE MOST METAL-TO-METAL CONTACT AND REDUCES VIBRATION.

**PLUSNUT INSTALLATION** - A PLUSNUT GUN IS RECOMMENDED FOR PLUSNUT INSTALLATION FOR ITS PRODUCTION SPEED. HOWEVER, A PLUSNUT SETTING TOOL CAN ALSO BE USED (P/N: 22200-0).

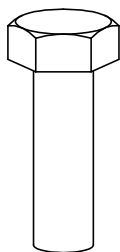
**THRU-BOLT CLEARANCE** - WHEN USING A THRU-BOLT AT ANY MOUNTING LOCATION, BE SURE THAT YOUR HOLE HAS 1/16" CLEARANCE.

**FASTENERS AND HARDWARE USED**

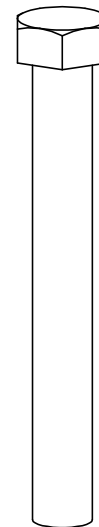
**BAG REFERENCE: BAG66848**



**FAS0858**  
**5/16-18X.63**  
**FHH SCREW**  
**QTY: 8**



**FAS0597**  
**5/16-18X1.0 SS**  
**HH SCREW**  
**QTY: 8**



**FAS0243**  
**5/16-18X2.5 SS**  
**HH SCREW**  
**QTY: 4**



**FAS0857**  
**5/16 SS WASHER,**  
**LOCK EXT CS**  
**QTY: 8**



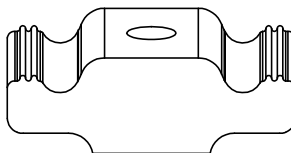
**FAS0588**  
**5/16 SS**  
**SPLIT WASHER**  
**QTY: 8**



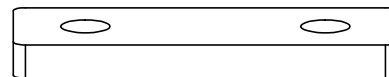
**FAS0552**  
**5/16 SS**  
**FLAT WASHER**  
**QTY: 12**



**FAS0861**  
**5/16-18 SS**  
**HH FLG NUT**  
**QTY: 4**



**63490**  
**RAIL SLIDE,**  
**1"**  
**QTY: 8**



**68042**  
**PROFILE FOOT**  
**MOUNTING PLATE**  
**QTY: 4**

**PAGE INTENTIONALLY LEFT BLANK**

# STEP 1 - ASSEMBLE MOUNTING ARMS TO CROSSBOW



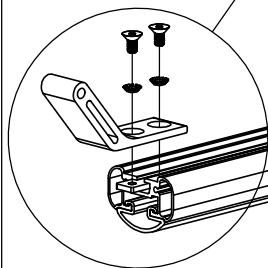
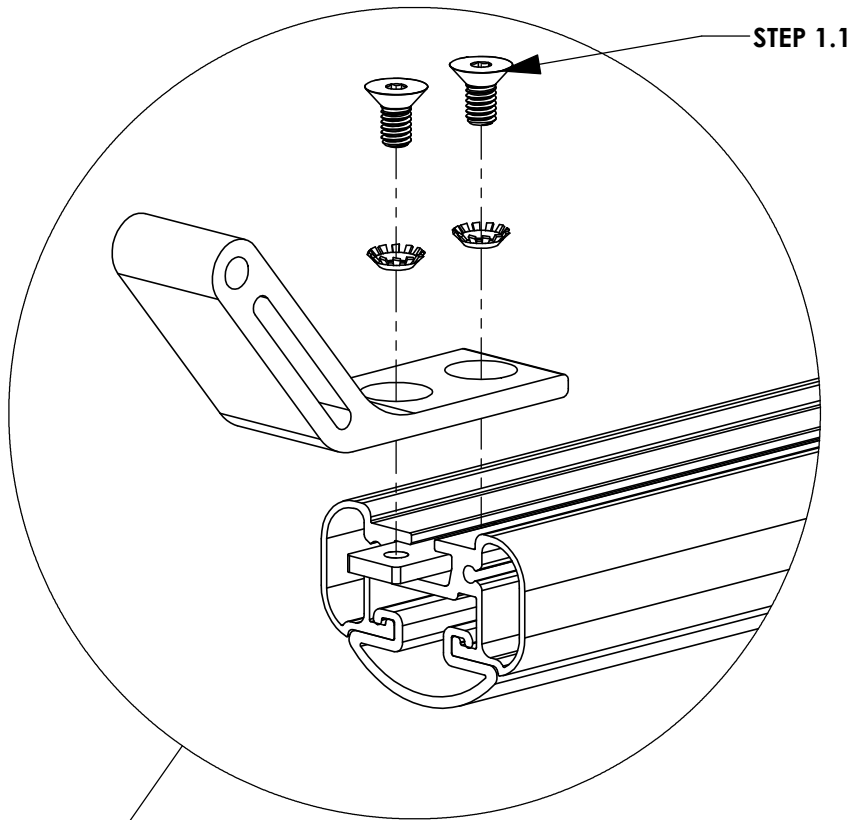
CHECK TABLE 1-3 IN INSTRUCTION 68895 FOR ADDITIONAL ACCESSORY SLIDE INSTALLATION BEFORE INSTALLING MOUNTING BRACKETS (ALL A.2 ITEMS SHOULD BE COMPLETELY ASSEMBLED FIRST!)

STEP 1.1  
LOOSELY ASSEMBLE  
UNTIL AFTER STEP 3  
(2) FAS0857, (2)  
FAS0858, 68042

(02 PLACES PER  
CROSSBOW)  
3/16" ALLEN

## ATTENTION!

IF INSTALLING A GRIP-LOCK ON A PICKUP TRUCK TOPPER, ASSEMBLE MOUNTING ARMS FACING OUTWARD FOR THAT SIDE OF THE RACK



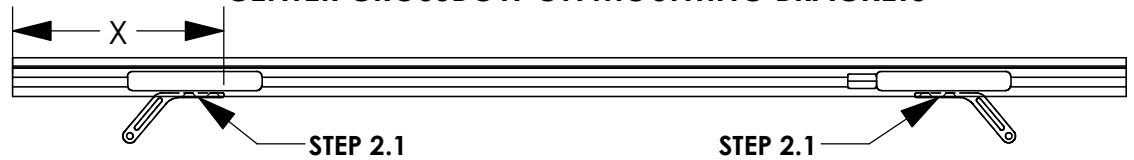
SLIDES AND FASTENERS WILL BE INCLUDED IN THEIR RESPECTIVE KITS. THESE SHOULD BE INSERTED PRIOR TO ASSEMBLING MOUNTING ARMS!



**STEP 2 - SECURE CROSSBOW**

**FULL SIZE VANS**

**CENTER CROSSBOW ON MOUNTING BRACKETS**

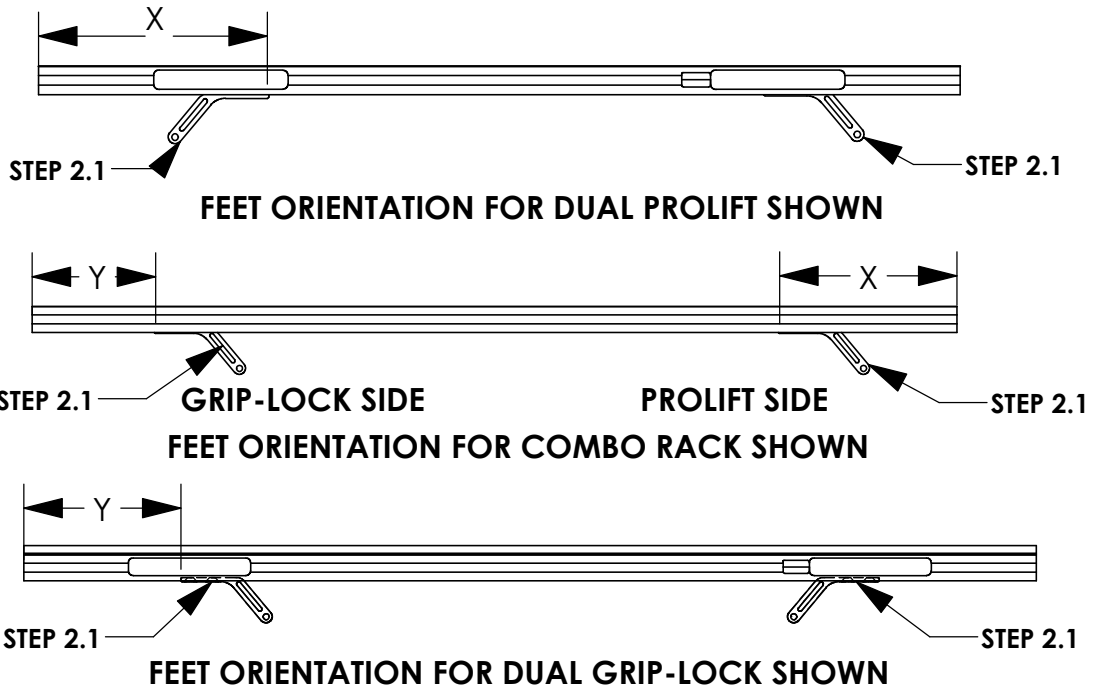


**STEP 2.1**  
**FULLY TIGHTEN**  
**FROM STEP 1.1**  
 (04 PLACES PER  
 CROSSBOW)  
 3/16" ALLEN

| VEHICLE PLATFORM                 | DIMENSION "X" (in.) -<br>58" CROSSBOW | DIMENSION "X" (in.) -<br>68" CROSSBOW |
|----------------------------------|---------------------------------------|---------------------------------------|
| FORD TRANSIT                     | 6 5/8"                                | 11 5/8"                               |
| RAM PROMASTER                    | 6"                                    | 11"                                   |
| NISSAN NV                        | 4 7/8"                                | 9 7/8"                                |
| MERCEDES SPRINTER<br>(LOW ROOF)  | 4 5/8"                                | 9 5/8"                                |
| MERCEDES SPRINTER<br>(HIGH ROOF) | 8 1/8"                                | 13 1/8"                               |

**DIMENSION WILL  
 VARY BASED ON  
 ROOF RAIL  
 PLACEMENT ON  
 TOPPER**

**PICKUP TRUCK TOPPERS**



**MOUNTING FEET  
 FOR GRIP LOCK SIDE  
 OF COMBO RACK  
 WILL FACE  
 OUTWARD FROM  
 ROOF CENTERLINE  
 ON TOPPER**

| CROSSBOW LENGTH | DIMENSION "X" (in.) -<br>PROLIFT | DIMENSION "Y" (in.) -<br>GRIPLOCK |
|-----------------|----------------------------------|-----------------------------------|
| 48" (PROLIFT)   | MINIMUM 10 1/8"                  | N/A                               |
| 53" (COMBO)     | MINIMUM 10 1/8"                  | MAX 7 1/8"                        |
| 58" (GRIP-LOCK) | N/A                              | MAX 7 1/8"                        |

**NOTE - THESE DIMENSIONS ARE APPROXIMATE AND WILL VARY  
 SLIGHTLY WITH ANY TOLERANCE IN THE BUILD OF THE VEHICLE**

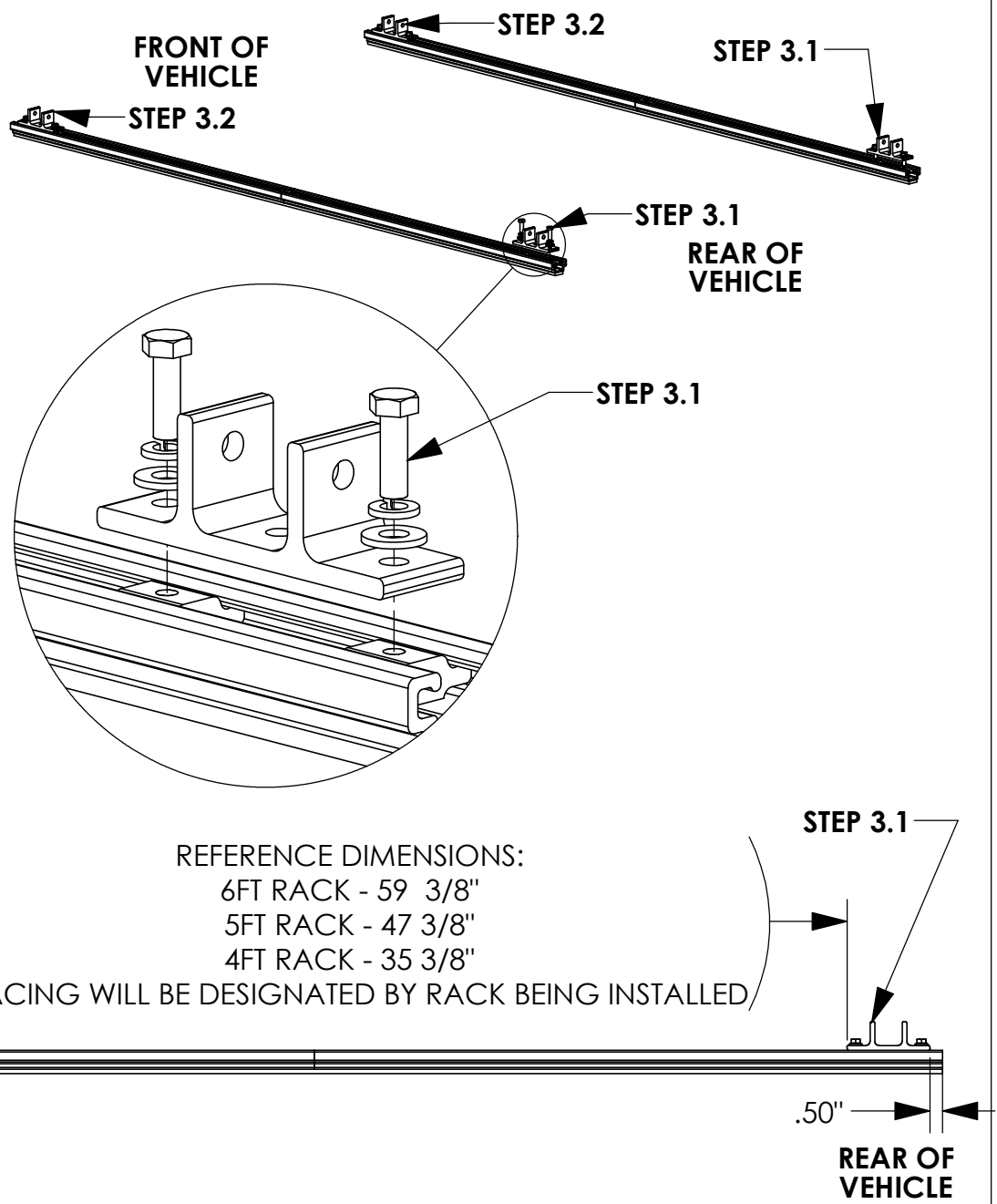
**STEP 3 - ASSEMBLE LOWER MOUNTING FOOT TO ROOF RAIL**

**STEP 3.1**  
**FULLY TIGHTEN**  
FAS0597, FAS0552,  
FAS0588, 63490 ON  
REAR MOUNTING FEET

(02 PLACES PER  
MOUNTING FOOT)  
1/2" SOCKET

**STEP 3.2**  
**LEAVE LOOSE UNTIL**  
**AFTER STEP 4**  
FAS0597, FAS0552,  
FAS0588, 63490 ON  
FRONT MOUNTING  
FEET

(02 PLACES PER  
MOUNTING FOOT)  
1/2" SOCKET



**CROSSBOW POSITIONING NOTES:**

**HD UTILITY RACK -**

REAR CROSSBOW - REARWARD AS POSSIBLE  
FRONT CROSSBOW- POSITION TO BEST FIT END USER'S PRODUCT

**GRIP LOCK/PROLIFT LADDER RACKS -**

1/2" FROM END OF RAIL UNLESS OTHERWISE STATED IN RESPECTIVE INSTRUCTION FOR CROSSBOW PLACEMENT.

# STEP 4 - ASSEMBLE MOUNTING BRACKETS TO MOUNTING ARMS



**BEFORE PROCEEDING WITH THIS STEP FINISH ASSEMBLING ACCESSORIES ONTO RACK. (IE GRIP LOCK, PROLIFT, ETC)**

## STEP 4.1

### FULLY TIGHTEN

FAS0243, FAS0552,  
FAS0861

(02 PLACES PER  
CROSSBOW)

1/2" SOCKET  
1/2" WRENCH

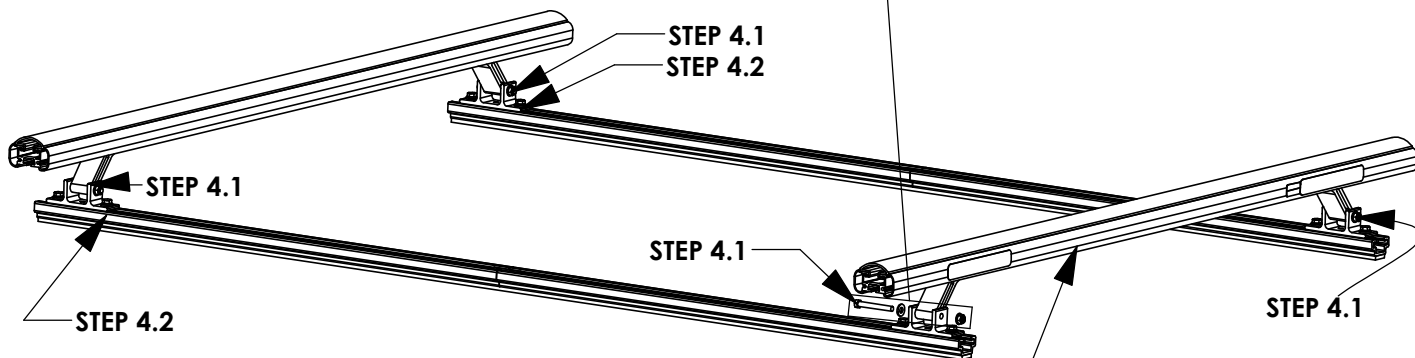
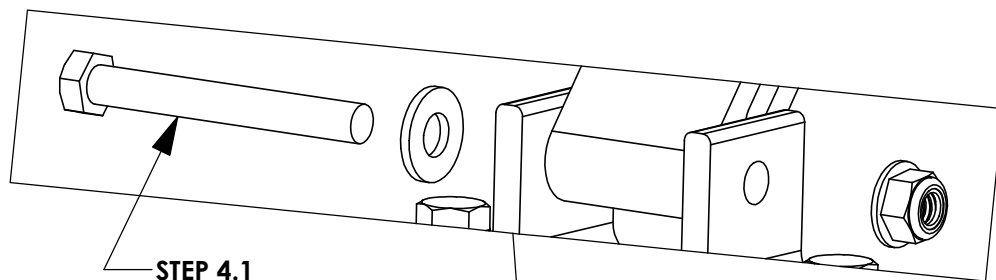
## STEP 4.2

### FULLY TIGHTEN

FAS0597, FAS0552,  
FAS0588, 63490 ON  
FRONT MOUNTING  
FEET

(02 PLACES PER  
MOUNTING FOOT)

1/2" SOCKET



**NOTE ORIENTATION OF LABELS ON CROSSBOW**

**REFERENCE - NO ACCESSORIES SHOWN**

**STEP 5 - ADJUST MOUNTING BRACKET LOCATION IF NECESSARY**

**CROSSBOW POSITIONING NOTES:**

**HD UTILITY RACK -**

REAR CROSSBOW - REARWARD AS POSSIBLE  
 FRONT CROSSBOW- POSITION TO BEST FIT END USER'S PRODUCT

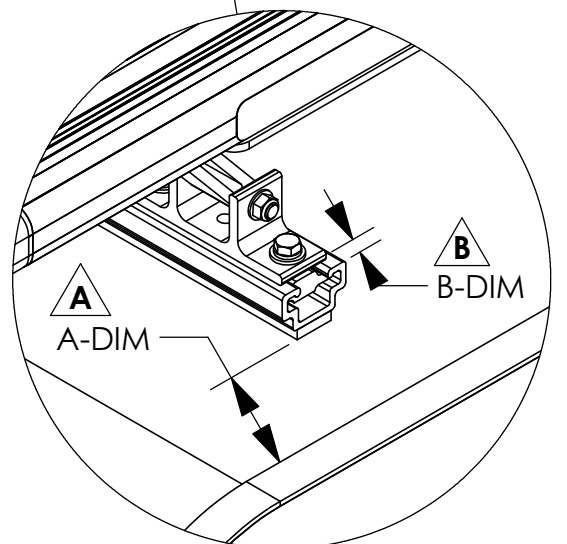
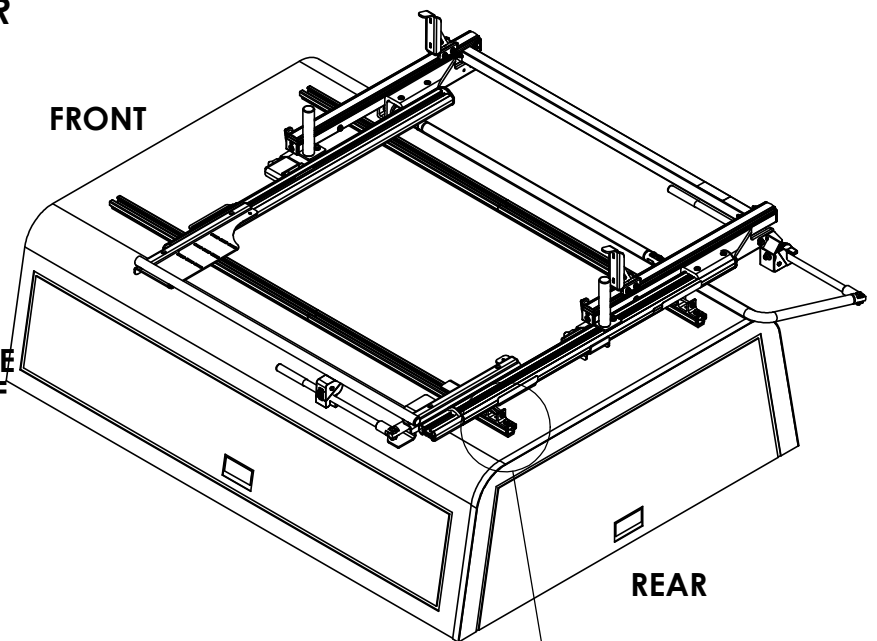
**GRIP LOCK/PROLIFT LADDER RACKS -**

1/2" FROM END OF RAIL UNLESS OTHERWISE STATED IN RESPECTIVE INSTRUCTION FOR CROSSBOW PLACEMENT.

**6' ARE TOPPER / 8' LEER TOPPER**

**△ A OPTIMAL RAIL KIT POSITION:  
 TOPPER ROOF RAIL KIT END TO BE  
 A-DIM FROM BLACK TOPPER TRIM**

**△ B UTILITY MOUNTING BRACKET:  
 REAR MOUNTING BRACKETS WILL BE  
 B-DIM FROM THE END OF THE ROOF  
 RAIL KIT**



| TOPPER/<br>DIMENSION | 6' ARE<br>TOPPER | 8' LEER<br>TOPPER |
|----------------------|------------------|-------------------|
| A-DIM                | 3.00"            | 1.00"             |
| B-DIM                | 0.50"            | 0.50"             |

**NOTE:  
 IF RAILS HAVE BEEN PREVOIUSLY INSTALLED, LOOSEN TOPPER RAIL BRACKET RAIL SLIDES  
 AND ADJUST TO MEET DESIRED POSITIONING**

**INSTALLATION IS COMPLETE!! MAKE SURE ALL FASTENERS ARE TIGHTENED**

# INSTALLATION GUIDE FOR PROFILE™ SERIES LADDER RACKS

INSTRUCTION #:  
**68895**

REV:  
**B**

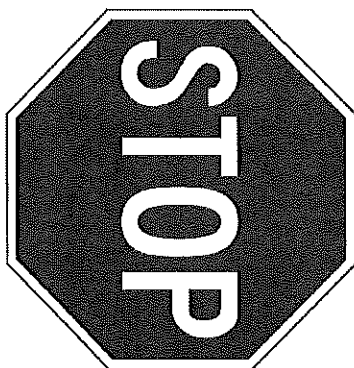
THIS INSTRUCTION PROVIDES A GENERAL GUIDE OF INSTALLATION SEQUENCE FOR ALL PROFILE™ SERIES LADDER RACKS. PLEASE ENSURE ALL ACCESSORIES ARE INSTALLED PER TYPE OF RACK BEFORE PROCEEDING TO NEXT PAGE.

REFERENCE THIS INSTRUCTION THROUGHOUT THE ENTIRETY OF YOUR INSTALL TO PREVENT ACCESSORIES BEING INSTALLED INCORRECTLY/OUT OF SEQUENCE!

**STEPS 21 - 81 ON PAGE 3 IS THE RECOMMENDED ASSEMBLY SEQUENCE FOR A FULL TABLE ASSEMBLY BEFORE INSTALLING ON THE ROOF OF THE VEHICLE.**

**STEPS 2R - 8R ON PAGE 4 IS AN ALTERNATE ASSEMBLY SEQUENCE TO INSTALL THE RACK ON THE VEHICLE ROOF AS IT IS BUILT.**

PLEASE SELECT THE ASSEMBLY SEQUENCE THAT BEST WORKS FOR YOU!

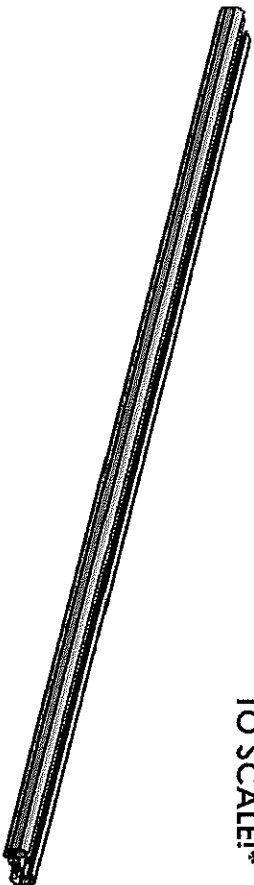


## ASSEMBLY STEPS:

**STEP 1A. SUB-ASSEMBLE EACH CROSSBOW WITH DESIRED ACCESSORIES FOR SECTIONS A.1 & A.2.**

**INSTRUCTIONS FOR EACH KIT CAN BE FOUND IN THEIR RESPECTIVE CARTON!**

TOP OF CROSSBOW \*IMAGE NOT TO SCALE!



BOTTOM OF CROSSBOW

**TABLE 1**

### TOP OF CROSSBOW

COMPONENTS TO INSTALL

HD UTILITY

- CONDUIT KIT OR BEACON

Grip-Lock

- CONDUIT KIT OR BEACON

ProLift

- CONDUIT KIT OR BEACON

### BOTTOM OF CROSSBOW

COMPONENTS TO INSTALL

HD UTILITY

- LADDER STOP, STROBE BRACKET, AND/OR REAR ROLLER

Grip-Lock

- Grip-Lock SUB-ASSEMBLY

ProLift

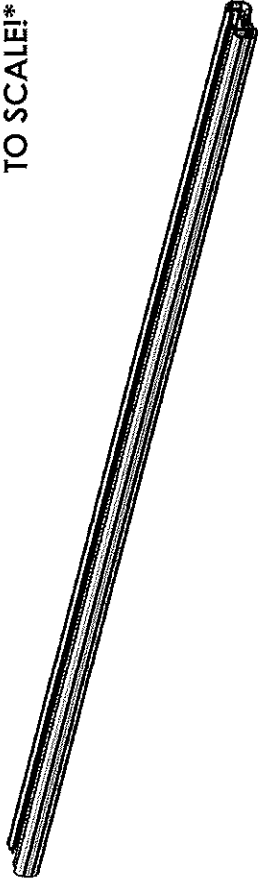
- DAMPER BRACKET

A.2

A.1

**STEP 1B. SUB-ASSEMBLE EACH CROSSBOW WITH DESIRED ACCESSORIES FOR SECTIONS B.1 & B.2. INSTRUCTIONS FOR EACH KIT CAN BE FOUND IN THEIR RESPECTIVE CARTON!**

**TOP OF CROSSBOW** \*IMAGE NOT TO SCALE!\*



**BOTTOM OF CROSSBOW**

**TABLE 2**

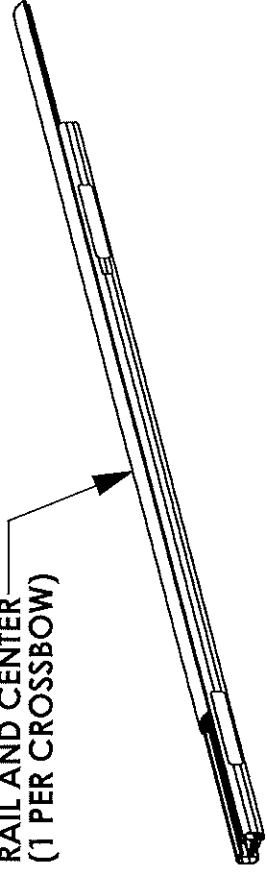
| TOP OF CROSSBOW    |   |
|--------------------|---|
|                    | COMPONENTS TO INSTALL                       |
| HD UTILITY         | - WEAR STRIP (MODIFY IF NECESSARY, TABLE 3) |
| Grip-Lock          | - WEAR STRIP (MODIFY IF NECESSARY, TABLE 3) |
| ProLift            | - INNER STOP POST                           |
| BOTTOM OF CROSSBOW |   |
|                    | COMPONENTS TO INSTALL                       |
| HD UTILITY         | - MOUNTING BRACKETS                         |
| Grip-Lock          | - MOUNTING BRACKETS                         |
| ProLift            | - MOUNTING BRACKETS                         |

**ALTER WEAR STRIP AND INSTALL ON CROSSBOW (IF APPLICABLE)! REFERENCE TABLE 3 BELOW FOR WEAR STRIP ALTERATION INSTRUCTIONS!**

**TABLE 3**

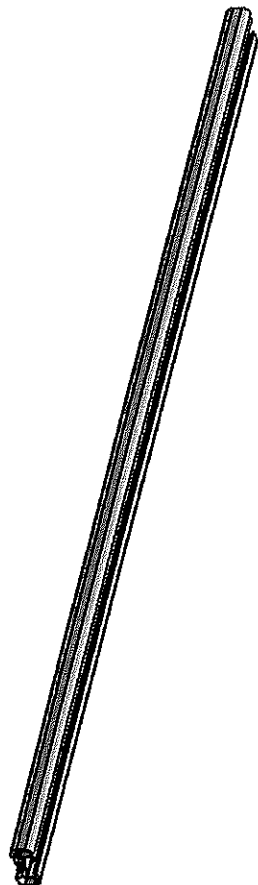
| ADDED ACCESSORIES        | ALTERATION FOR WEAR STRIP                              |
|--------------------------|--|
| 4" UPRIGHT***            | REMOVE 2" FROM END OF WEAR STRIP                       |
| 4" PVC CONDUIT KIT       | REMOVE 7.25" FROM CENTER OF WEAR STRIP                 |
| 6" PVC CONDUIT KIT       | REMOVE 9.50" FROM CENTER OF WEAR STRIP                 |
| ALUMINUM BOX CONDUIT KIT | REMOVE 13.25" FROM CENTER OF WEAR STRIP                |
| BEACON                   | REMOVE 4" FROM CENTER OF WEAR STRIP                    |
| ProLift (SINGLE SIDE)    | CUT WEAR STRIP IN HALF, DO NOT INSTALL ON ProLift SIDE |
| ProLift (DUAL SIDE)      | DO NOT INSTALL WEAR STRIP                              |

**SLIDE WEAR STRIP INTO RAIL AND CENTER (1 PER CROSSBOW)**



**STEP 1C SUB-ASSEMBLE EACH CROSSBOW WITH DESIRED ACCESSORIES FOR SECTIONS C.1 & C.2**

TOP OF CROSSBOW  
\*IMAGE NOT TO SCALE!\*



BOTTOM OF CROSSBOW

**TABLE 4**

| TOP OF CROSSBOW COMPONENTS TO INSTALL    |                              |
|--|------------------------------|
| HD UTILITY                               | - 4" UPRIGHT                 |
| Grip-Lock                                | - N/A                        |
| Prolift                                  | - SLIDES FOR BASE EXTRUSION  |
| BOTTOM OF CROSSBOW COMPONENTS TO INSTALL |                              |
| HD UTILITY                               | - UPRIGHTS (6", 9", RATCHET) |
| Grip-Lock                                | - STROBES                    |
| Prolift                                  | - STROBES                    |

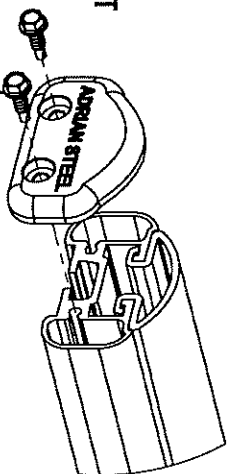
**ASSEMBLY STEPS (FULL BENCH ASSEMBLY):**

- 2T. ADD DRIVELINES (IF INSTALLING Prolift)
- 3T. ADD HANDLES (IF INSTALLING Grip-Lock OR Prolift) AND DAMPERS (IF INSTALLING Prolift)
- 4T. ADD OUTER SUPPORT BARS (IF INSTALLING Grip-Lock OR Prolift)
- 5T. ADD STEP LADDER KIT (Grip-Lock OR Prolift ONLY)

6T. ASSEMBLE ENDS CAPS TO CROSSBOW

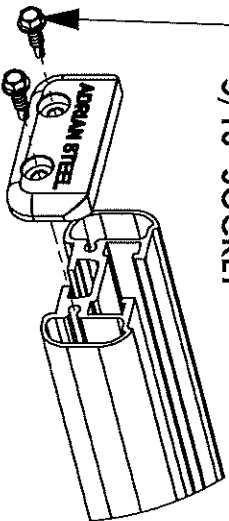
USED FOR HD UTILITY & Grip-Lock RACKS

LOCATED IN CROSSBOW KIT



FULLY TIGHTEN  
(2) FAS0473, 63851  
(2 PLACES PER END CAP)  
5/16" SOCKET

USED FOR Prolift RACKS  
LOCATED IN Prolift Kit



7T. INSTALL ROOF RAIL KIT ON VEHICLE ROOF OR BOTTOM MOUNTING BRACKETS

(ROOF RAIL KIT REQUIRED FOR Grip-Lock & Prolift OPTIONAL FOR HD UTILITY, NOT NEEDED FOR GM LADDER RACKS)

8T. MOUNT CROSSBOW SUB-ASSEMBLIES FROM STEP 1 TO VEHICLE/MOUNTING BRACKET, OR ROOF RAIL (LOOSE INSTALL)

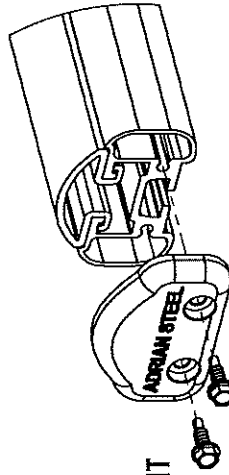
**ALTERNATE ASSEMBLY METHOD!**  
**(ASSEMBLE ON VEHICLE ROOF):**

- 2R. INSTALL ROOF RAIL KIT ON VEHICLE ROOF OR BOTTOM MOUNTING BRACKETS  
(ROOF RAIL KIT REQUIRED FOR Grip-Lock & ProLift, OPTIONAL FOR HD UTILITY, NOT NEEDED FOR GM LADDER RACKS)
- 3R. MOUNT CROSSBOW SUB-ASSEMBLIES FROM STEP 1 TO VEHICLE/MOUNTING BRACKET, OR ROOF RAIL (LOOSE INSTALL)
- 4R. ADD DRIVELINES (IF INSTALLING ProLift)
- 5R. ADD HANDLES (IF INSTALLING Grip-Lock OR ProLift) AND DAMPERS (IF INSTALLING ProLift)
- 6R. ADD OUTER SUPPORT BARS (IF INSTALLING Grip-Lock OR ProLift)
- 7R. ADD STEP LADDER KIT (Grip-Lock OR ProLift ONLY!)

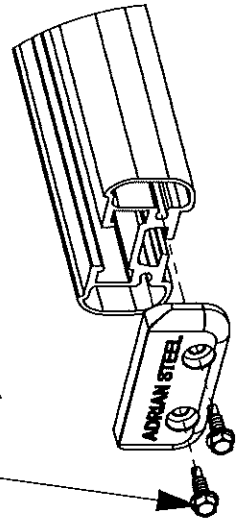
8R. ASSEMBLE END CAPS TO CROSSBOW

USED FOR HD UTILITY & Grip-Lock RACKS

LOCATED IN CROSSBOW KIT



FULLY TIGHTEN  
(2) FAS0473, 63851  
(2 PLACES PER END CAP)  
5/16" SOCKET



USED FOR ProLift RACKS  
LOCATED IN ProLift Kit