

INSTALLATION GUIDE FOR PROFILE™ SERIES LADDER RACKS

INSTRUCTION #:
68895

REV:
B

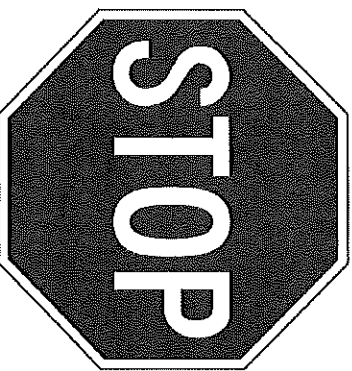
THIS INSTRUCTION PROVIDES A GENERAL GUIDE OF INSTALLATION SEQUENCE FOR ALL PROFILE™ SERIES LADDER RACKS. PLEASE ENSURE ALL ACCESSORIES ARE INSTALLED PER TYPE OF RACK BEFORE PROCEEDING TO NEXT PAGE.

REFERENCE THIS INSTRUCTION THROUGHOUT THE ENTIRETY OF YOUR INSTALL TO PREVENT ACCESSORIES BEING INSTALLED INCORRECTLY/OUT OF SEQUENCE!

STEPS 21 - 81 ON PAGE 3 IS THE RECOMMENDED ASSEMBLY SEQUENCE FOR A FULL TABLE ASSEMBLY BEFORE INSTALLING ON THE ROOF OF THE VEHICLE.

STEPS 2R - 8R ON PAGE 4 IS AN ALTERNATE ASSEMBLY SEQUENCE TO INSTALL THE RACK ON THE VEHICLE ROOF AS IT IS BUILT.

PLEASE SELECT THE ASSEMBLY SEQUENCE THAT BEST WORKS FOR YOU!



ASSEMBLY STEPS:

STEP 1A. SUB-ASSEMBLE EACH CROSSBOW WITH DESIRED ACCESSORIES FOR SECTIONS A.1 & A.2.

INSTRUCTIONS FOR EACH KIT CAN BE FOUND IN THEIR RESPECTIVE CARTON!

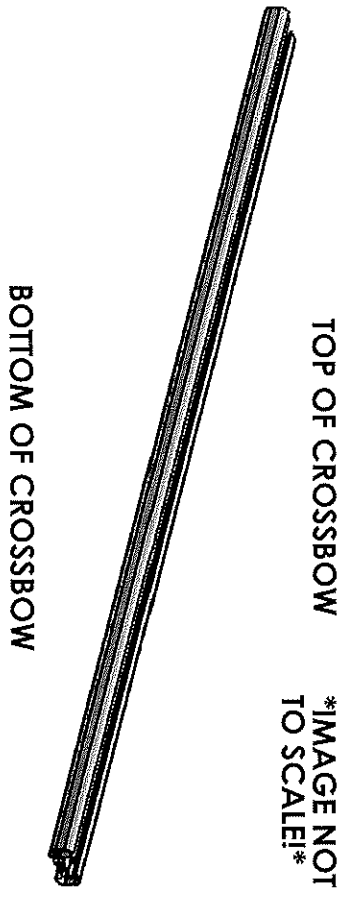


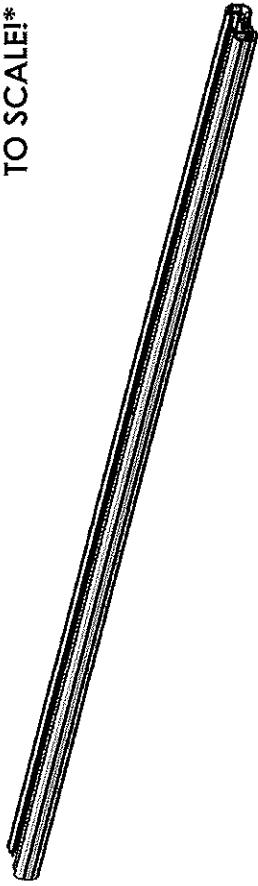
TABLE 1

| TOP OF CROSSBOW | | COMPONENTS TO INSTALL |
|--------------------|--|---|
| A.1 | | HD UTILITY - CONDUIT KIT OR BEACON |
| | | Grip-Lock - CONDUIT KIT OR BEACON |
| | | ProLift - CONDUIT KIT OR BEACON |
| BOTTOM OF CROSSBOW | | COMPONENTS TO INSTALL |
| A.2 | | HD UTILITY - LADDER STOP, STROBE BRACKET, AND/OR REAR ROLLER |
| | | Grip-Lock - Grip-Lock SUB-ASSEMBLY |
| | | ProLift - DAMPER BRACKET |

STEP 1B. SUB-ASSEMBLE EACH CROSSBOW WITH DESIRED ACCESSORIES FOR SECTIONS B.1 & B.2. INSTRUCTIONS FOR EACH KIT CAN BE FOUND IN THEIR RESPECTIVE CARTON!

TOP OF CROSSBOW

IMAGE NOT TO SCALE!



BOTTOM OF CROSSBOW

TABLE 2

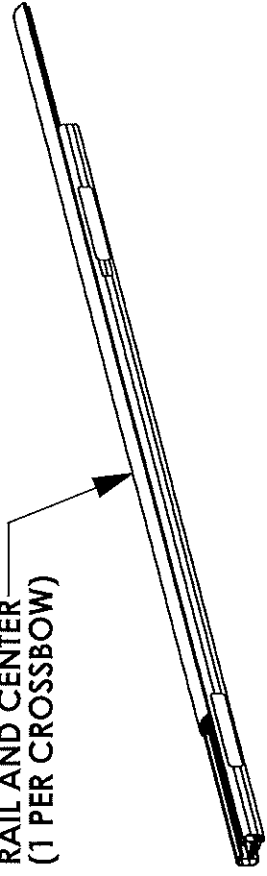
| TOP OF CROSSBOW | |
|-----------------------|---|
| COMPONENTS TO INSTALL | |
| HD UTILITY | - WEAR STRIP (MODIFY IF NECESSARY, TABLE 3) |
| Grip-Lock | - WEAR STRIP (MODIFY IF NECESSARY, TABLE 3) |
| ProLift | - INNER STOP POST |
| BOTTOM OF CROSSBOW | |
| COMPONENTS TO INSTALL | |
| HD UTILITY | - MOUNTING BRACKETS |
| Grip-Lock | - MOUNTING BRACKETS |
| ProLift | - MOUNTING BRACKETS |

ALTER WEAR STRIP AND INSTALL ON CROSSBOW (IF APPLICABLE)! REFERENCE TABLE 3 BELOW FOR WEAR STRIP ALTERATION INSTRUCTIONS!

TABLE 3

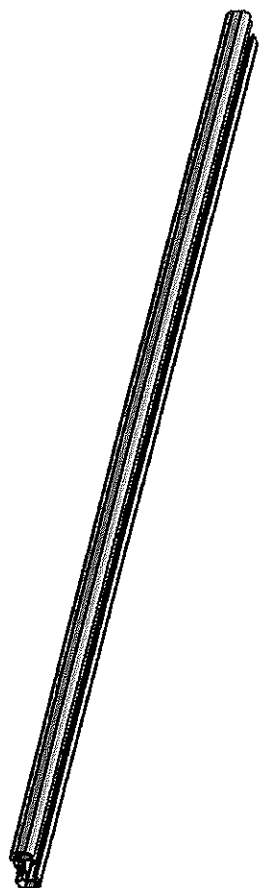
| ADDED ACCESSORIES | ALTERATION FOR WEAR STRIP |
|--------------------------|--|
| 4" UPRIGHT*** | REMOVE 2" FROM END OF WEAR STRIP |
| 4" PVC CONDUIT KIT | REMOVE 7.25" FROM CENTER OF WEAR STRIP |
| 6" PVC CONDUIT KIT | REMOVE 9.50" FROM CENTER OF WEAR STRIP |
| ALUMINUM BOX CONDUIT KIT | REMOVE 13.25" FROM CENTER OF WEAR STRIP |
| BEACON | REMOVE 4" FROM CENTER OF WEAR STRIP |
| ProLift (SINGLE SIDE) | CUT WEAR STRIP IN HALF, DO NOT INSTALL ON ProLift SIDE |
| ProLift (DUAL SIDE) | DO NOT INSTALL WEAR STRIP |

SLIDE WEAR STRIP INTO RAIL AND CENTER (1 PER CROSSBOW)



STEP 1C SUB-ASSEMBLE EACH CROSSBOW WITH DESIRED ACCESSORIES FOR SECTIONS C.1 & C.2

TOP OF CROSSBOW
IMAGE NOT TO SCALE!



BOTTOM OF CROSSBOW

TABLE 4

| TOP OF CROSSBOW COMPONENTS TO INSTALL | |
|--|------------------------------|
| HD UTILITY | - 4" UPRIGHT |
| Grip-Lock | - N/A |
| Prolift | - SLIDES FOR BASE EXTRUSION |
| BOTTOM OF CROSSBOW COMPONENTS TO INSTALL | |
| HD UTILITY | - UPRIGHTS (6", 9", RATCHET) |
| Grip-Lock | - STROBES |
| Prolift | - STROBES |

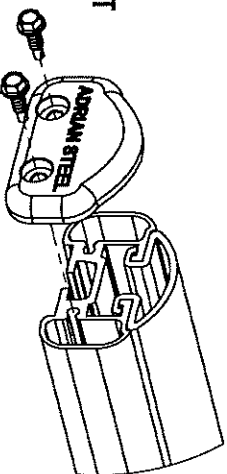
ASSEMBLY STEPS (FULL BENCH ASSEMBLY):

- 2T. ADD DRIVELINES (IF INSTALLING Prolift)
- 3T. ADD HANDLES (IF INSTALLING Grip-Lock OR Prolift) AND DAMPERS (IF INSTALLING Prolift)
- 4T. ADD OUTER SUPPORT BARS (IF INSTALLING Grip-Lock OR Prolift)
- 5T. ADD STEP LADDER KIT (Grip-Lock OR Prolift ONLY)

6T. ASSEMBLE ENDS CAPS TO CROSSBOW

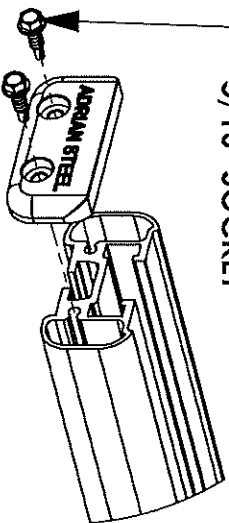
USED FOR HD UTILITY & Grip-Lock RACKS

LOCATED IN CROSSBOW KIT



FULLY TIGHTEN
(2) FAS0473, 63851
(2 PLACES PER END CAP)
5/16" SOCKET

USED FOR Prolift RACKS
LOCATED IN Prolift Kit



7T. INSTALL ROOF RAIL KIT ON VEHICLE ROOF OR BOTTOM MOUNTING BRACKETS

(ROOF RAIL KIT REQUIRED FOR Grip-Lock & Prolift OPTIONAL FOR HD UTILITY, NOT NEEDED FOR GM LADDER RACKS)

8T. MOUNT CROSSBOW SUB-ASSEMBLIES FROM STEP 1 TO VEHICLE/MOUNTING BRACKET, OR ROOF RAIL (LOOSE INSTALL)

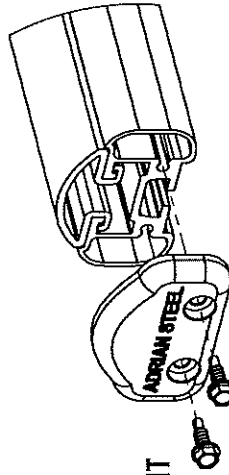
ALTERNATE ASSEMBLY METHOD!
(ASSEMBLE ON VEHICLE ROOF):

- 2R. INSTALL ROOF RAIL KIT ON VEHICLE ROOF OR BOTTOM MOUNTING BRACKETS
(ROOF RAIL KIT REQUIRED FOR Grip-Lock & ProLift, OPTIONAL FOR HD UTILITY, NOT NEEDED FOR GM LADDER RACKS)
- 3R. MOUNT CROSSBOW SUB-ASSEMBLIES FROM STEP 1 TO VEHICLE/MOUNTING BRACKET, OR ROOF RAIL (LOOSE INSTALL)
- 4R. ADD DRIVELINES (IF INSTALLING ProLift)
- 5R. ADD HANDLES (IF INSTALLING Grip-Lock OR ProLift) AND DAMPERS (IF INSTALLING ProLift)
- 6R. ADD OUTER SUPPORT BARS (IF INSTALLING Grip-Lock OR ProLift)
- 7R. ADD STEP LADDER KIT (Grip-Lock OR ProLift ONLY!)

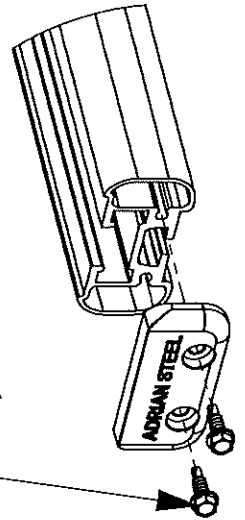
8R. ASSEMBLE END CAPS TO CROSSBOW

USED FOR HD UTILITY & Grip-Lock RACKS

LOCATED IN CROSSBOW KIT



FULLY TIGHTEN
(2) FAS0473, 63851
(2 PLACES PER END CAP)
5/16" SOCKET

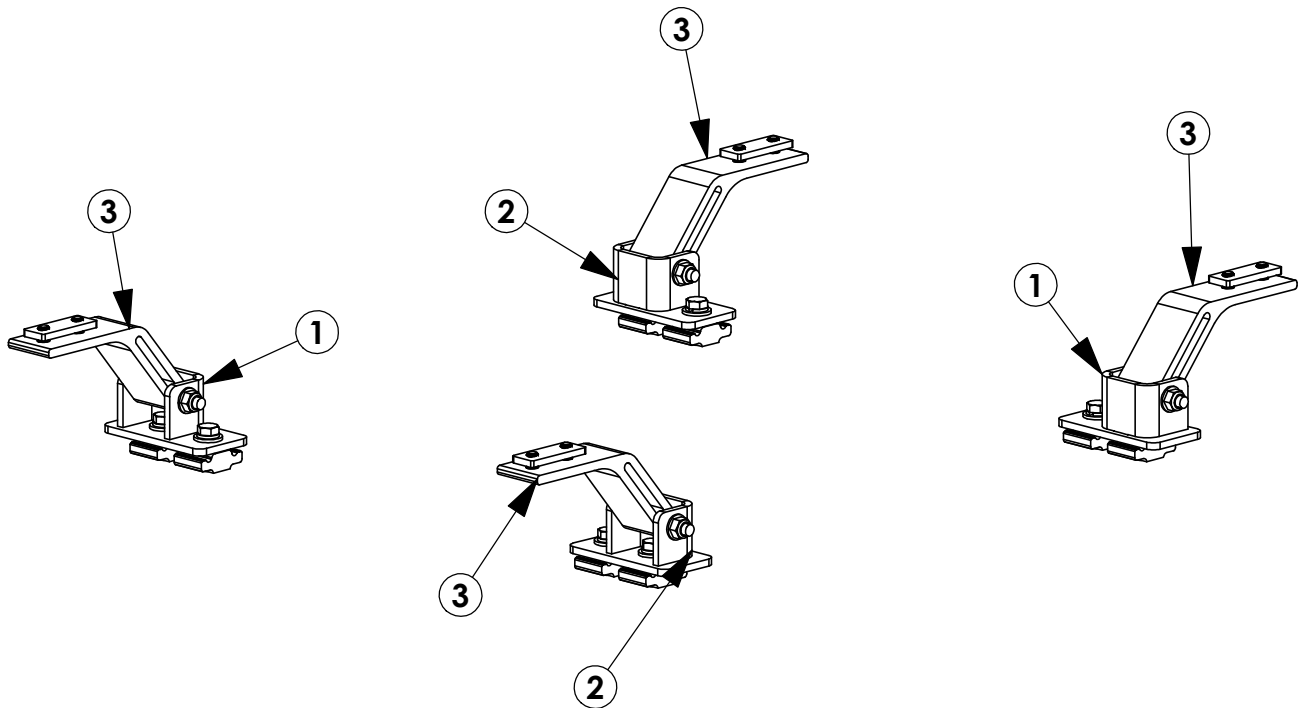


USED FOR ProLift RACKS
LOCATED IN ProLift Kit

| INSTR. NUMBER : 69907 | PG: 1 | REV: B | ITEM NO. | PART NUMBER | DESCRIPTION | QTY. |
|------------------------------------|-------|--------|--|-------------|--------------------------------|------|
| PART NUMBER : MAVRMBK4 | | | 1 | 69903-W | MAV RAIL BRKT FDS/RPS,W | 2 |
| | | | 2 | 69904-W | MAV RAIL BRKT FPS/RDS,W | 2 |
| | | | 3 | 68040-W | PROFILE, MOUNTING ARM, SHORT,W | 4 |
| PART DESC. : MAV RAIL MNT BKT KT,4 | | | - PART NUMBERS WITH "-W" SUFFIX ARE PAINTED WHITE - FOR BLACK MOUNTING KITS, REPLACE "-W" PARTS WITH "-B" PARTS | | | |

NOTE: THIS INSTRUCTION IS VALID FOR THE FOLLOWING KITS:

- MAVRMBK4W
- MAVRMBK4B



TOOLS NEEDED:

- DRIVE RATCHET
- IMPACT DRIVER
- 3/16" SOCKET
- 1/2" SOCKET
- 1/2" WRENCH
- TAPE MEASURE

GET TO KNOW THE VEHICLE - AT THE BEGINNING OF ANY INSTALLATION, CHECK THE LOCATION OF THE FUEL TANK, FUEL LINES, BRAKE LINES, HIGH VOLTAGE BATTERIES AND WIRING HARNESSSES TO AVOID INJURY OR PROPERTY DAMAGE FROM TOOL CONTACT.

SEAL ALL EXTERIOR HOLES - ALL INSTALLATION HOLES SHOULD BE SEALED WITH BUTYL TAPE OR SILICON TO PREVENT WATER AND EXHAUST GASES FROM ENTERING THE VEHICLE.

CONTROL DRILL DEPTH - TO AVOID DAMAGE TO THE VEHICLE, USE A DRILL STOP OR CLEARED STEP BIT WHEN DRILLING INSTALLATION HOLES.

ALWAYS ADD PRIMER - WHEN ADDING INSTALLATION HOLES BE SURE TO USE A SELF-ETCHING PRIMER TO PREVENT CORROSION, FASTENER FAILURE AND INJURY.

MOUNTING POINTS MUST HAVE METAL-TO-METAL CONTACT - USE PROVIDED MOUNTING SPACERS TO ACCOMMODATE FOR VEHICLE FEATURES, CARPET OR SUBFLOORS.

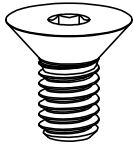
PROVIDE CLEARANCE FOR SPACERS - IF THE INSTALLATION VEHICLE CONTAINS A CARPET OR SUBFLOOR, USE A 1-3/16" DIAMETER CARPET CUTTER (P/N: 31183-0) AT ALL MOUNTING LOCATIONS TO OPEN UP ROOM FOR SPACERS.

CHECK SPACER ORIENTATION - BE SURE THAT THE INDENT IN THE SPACER COVERS THE PLUSNUT HEAD; THIS ENSURES THE MOST METAL-TO-METAL CONTACT AND REDUCES VIBRATION.

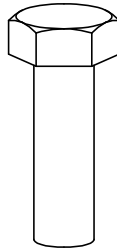
PLUSNUT INSTALLATION - A PLUSNUT GUN IS RECOMMENDED FOR PLUSNUT INSTALLATION FOR ITS PRODUCTION SPEED. HOWEVER, A PLUSNUT SETTING TOOL CAN ALSO BE USED (P/N: 22200-0).

THRU-BOLT CLEARANCE - WHEN USING A THRU-BOLT AT ANY MOUNTING LOCATION, BE SURE THAT YOUR HOLE HAS 1/16" CLEARANCE.

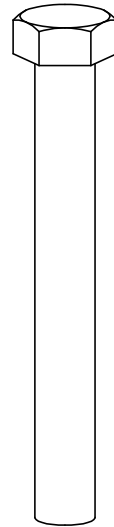
FASTENERS AND HARDWARE USED
BAG REFERENCE: BAG 66848



FAS0858
5/16-18X.63 SS
FHH SCREW
QTY: 8



FAS0597
5/16-18X1.0 SS
HH SCREW
QTY: 8



FAS0243
5/16-18X2.5 SS
HH SCREW
QTY: 4



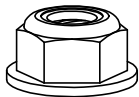
FAS0857
5/16 SS
WASHER, LCK EXT CS
QTY: 8



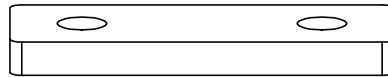
FAS0588
5/16 SS
SPLIT WASHER
QTY: 8



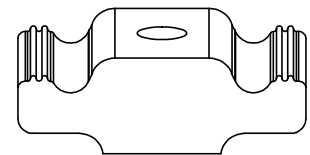
FAS0552
5/16 SS
FLAT WASHER
QTY: 12



FAS0861
5/16-18 SS
HH FLG NUT
QTY: 4



68042
PROFILE FOOT
MOUNTING PLATE
QTY: 4



63490
RAIL SLIDE,
1"
QTY: 8

PAGE INTENTIONALLY LEFT BLANK

STEP 1 - ASSEMBLE MOUNTING ARMS TO CROSSBOW



CHECK TABLE 1-3 IN INSTRUCTION 68895 FOR ADDITIONAL ACCESSORY SLIDE INSTALLATION BEFORE INSTALLING MOUNTING BRACKETS (ALL A.2 ITEMS SHOULD BE COMPLETELY ASSEMBLED FIRST!)

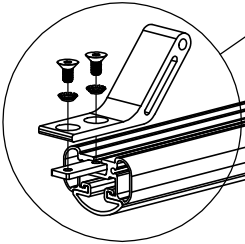
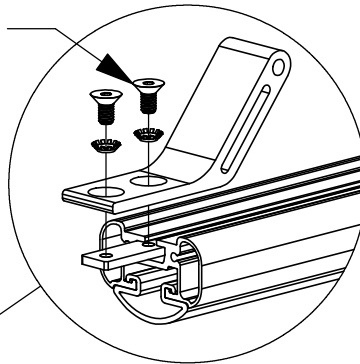
STEP 1.1
**LOOSELY ASSEMBLE
UNTIL AFTER STEP 3**
(2) FAS0857, (2)
FAS0858, 68042

(02 PLACES PER
CROSSBOW)
3/16" ALLEN

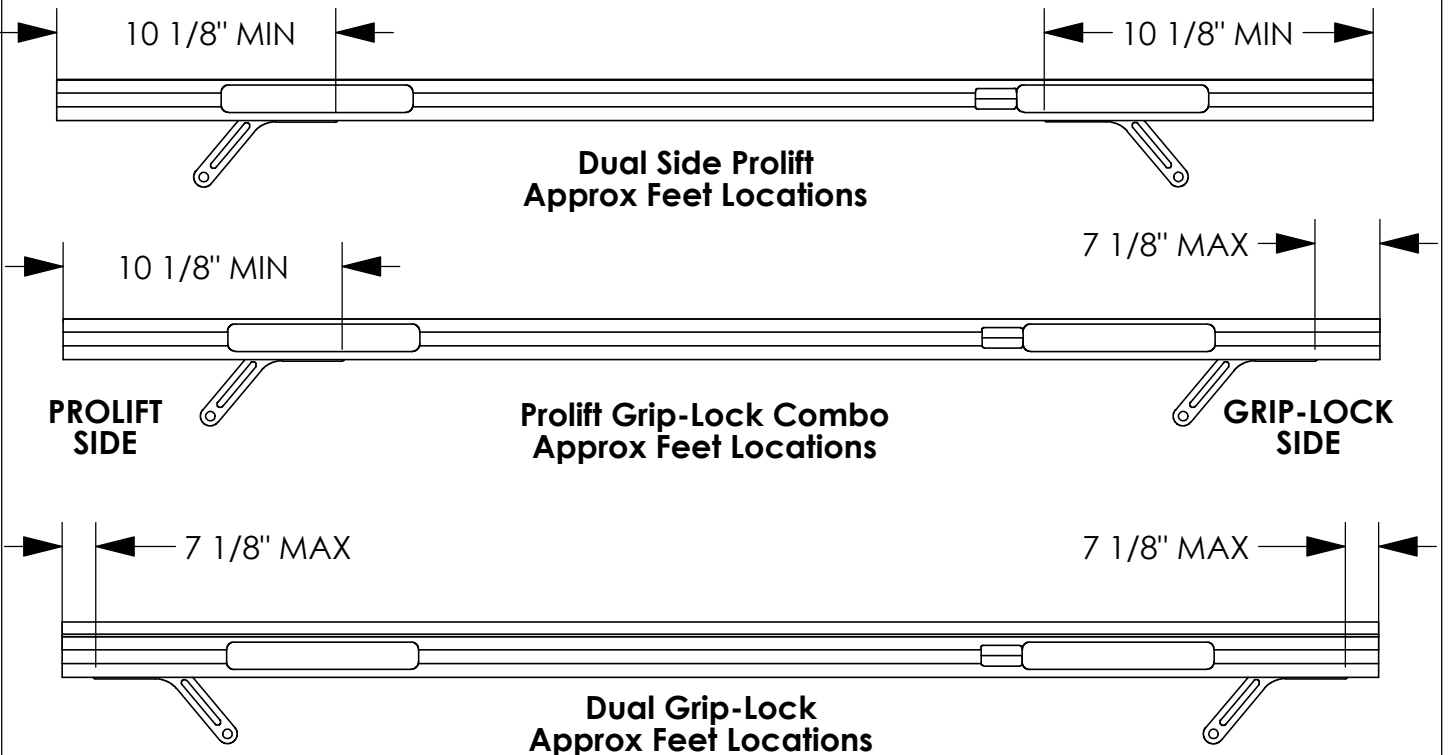
ATTENTION!

IF INSTALLING A GRIP-LOCK ON A PICKUP TRUCK TOPPER, ASSEMBLE MOUNTING ARMS FACING OUTWARD FOR THAT SIDE OF THE RACK

STEP 1.1



SLIDES AND FASTENERS WILL BE INCLUDED IN THEIR RESPECTIVE KITS. THESE SHOULD BE INSERTED PRIOR TO ASSEMBLING MOUNTING ARMS!



STEP 2 - ASSEMBLE MOUNTING BRACKETS TO ROOF RAILS

STEP 3.1

FULLY TIGHTEN

FAS0597, FAS0552,
FAS0588, 63490 ON
REAR MOUNTING FEET

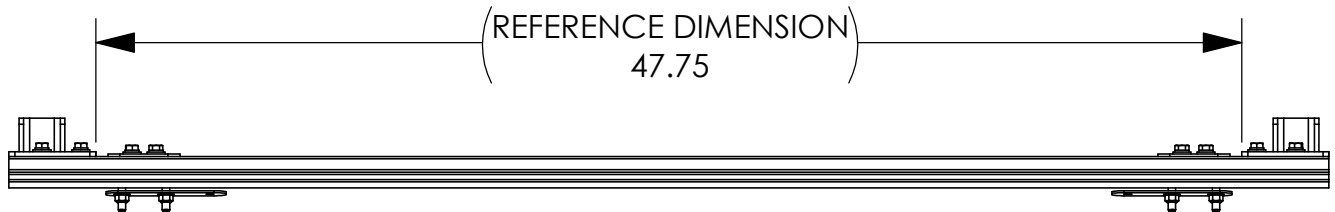
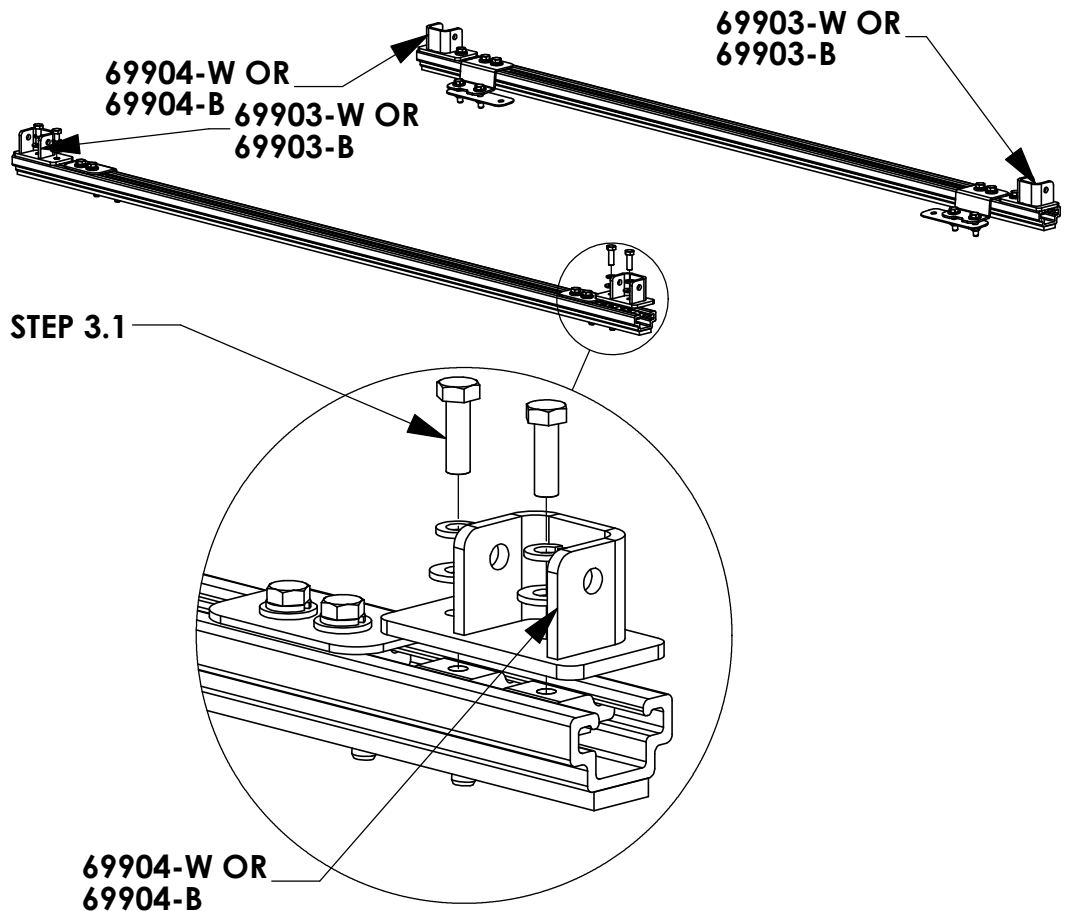
(02 PLACES PER
MOUNTING FOOT)
1/2" SOCKET

STEP 3.2

**LEAVE LOOSE UNTIL
AFTER STEP 4**

FAS0597, FAS0552,
FAS0588, 63490 ON
FRONT MOUNTING
FEET

(02 PLACES PER
MOUNTING FOOT)
1/2" SOCKET



**DO NOT FULLY TIGHTEN! YOU MAY
NEED TO MOVE BRACKETS SLIGHTLY!**

CROSSBOW POSITIONING NOTES:

HD UTILITY RACK -

REAR CROSSBOW - REARWARD AS POSSIBLE
FRONT CROSSBOW - POSITION TO BEST FIT END USER'S PRODUCT

GRIP-LOCK / PROLIFT LADDER RACKS -

REFER TO RESPECTIVE INSTRUCTION FOR CROSSBOW PLACEMENT

STEP 3 - ASSEMBLE MOUNTING BRACKETS TO MOUNTING ARMS



BEFORE PROCEEDING WITH THIS STEP FINISH ASSEMBLING ACCESSORIES ONTO RACK. (IE GRIP LOCK, PROLIFT, ETC)

STEP 4.1

FULLY TIGHTEN

FAS0243, FAS0552,
FAS0861

(02 PLACES PER
CROSSBOW)

1/2" SOCKET
1/2" WRENCH

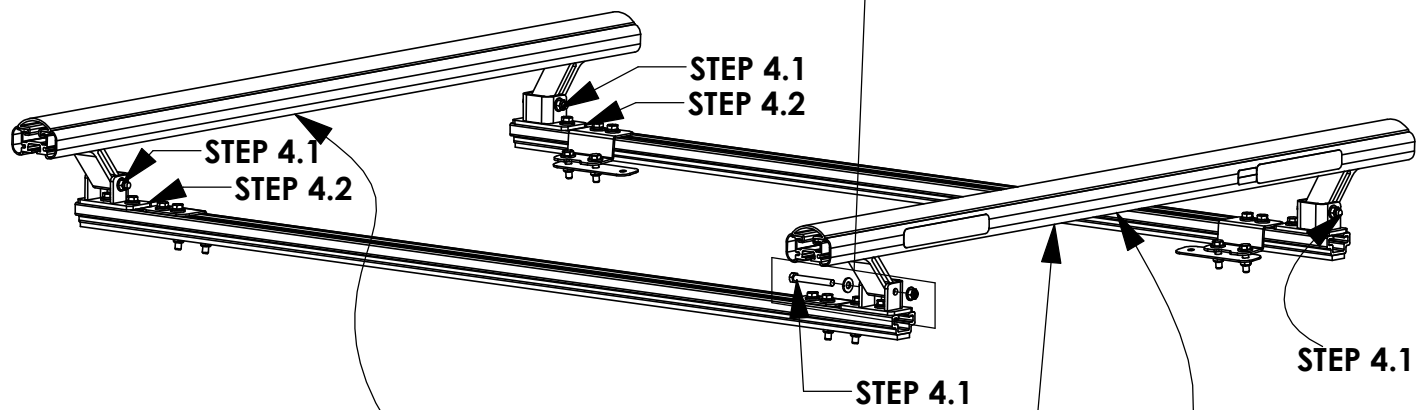
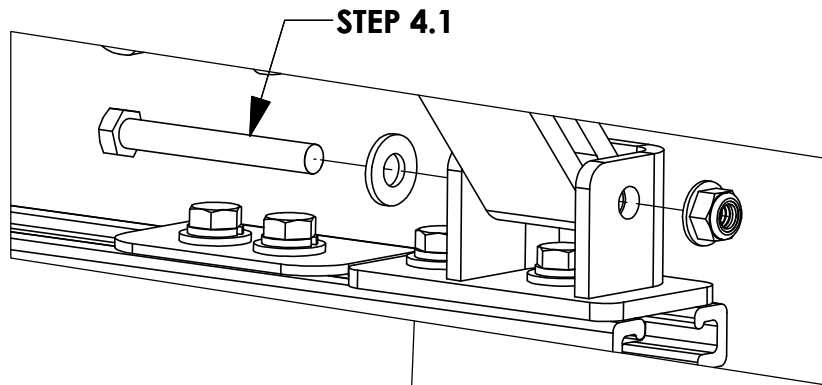
STEP 4.2

FULLY TIGHTEN

FAS0597, FAS0552,
FAS0588, 63490 ON
FRONT MOUNTING
FEET

(02 PLACES PER
MOUNTING FOOT)

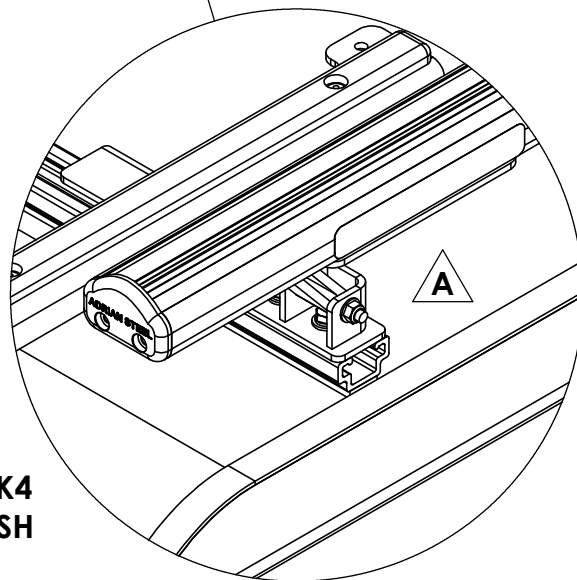
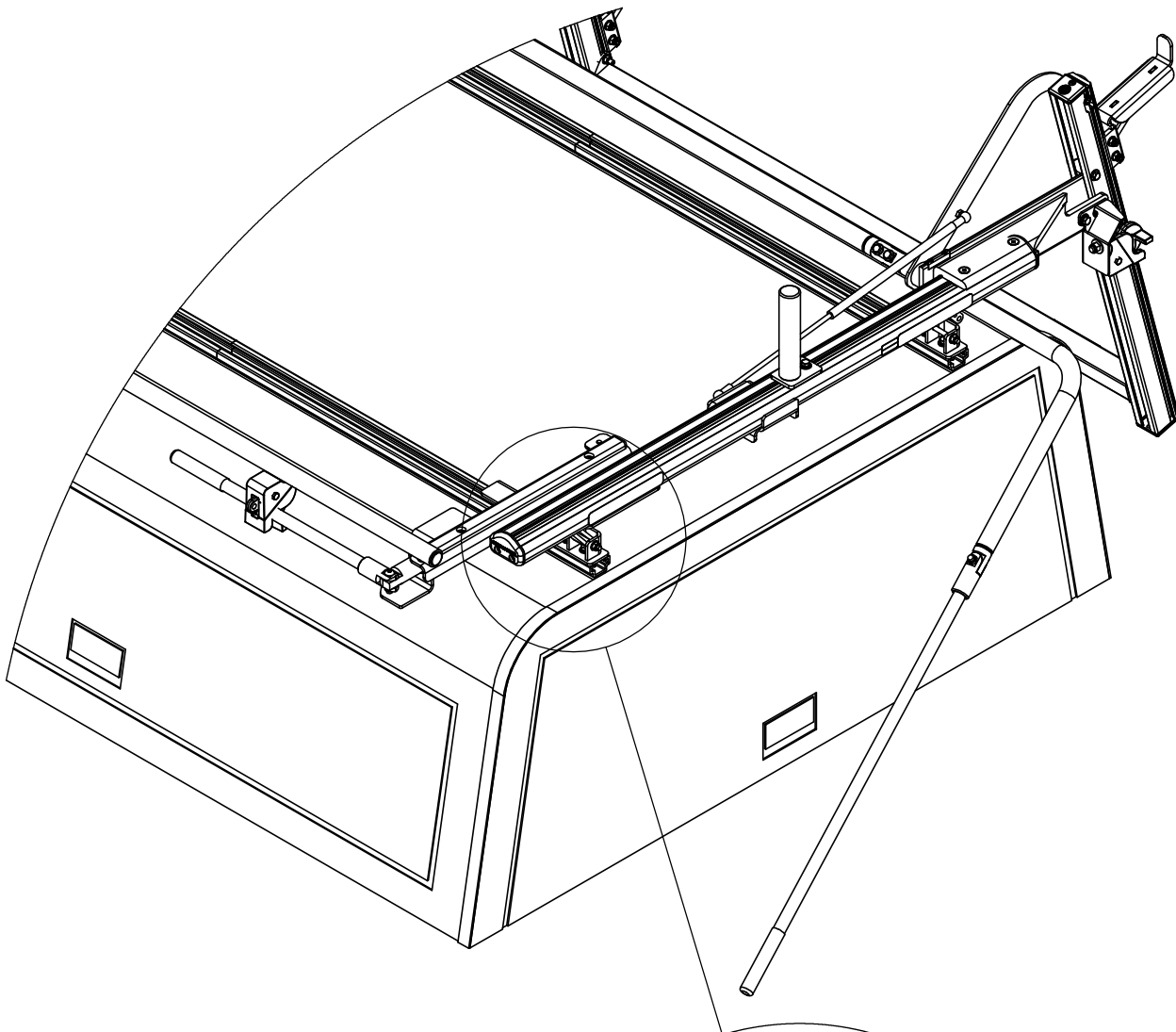
1/2" SOCKET



**NOTE ORIENTATION OF LABELS
ON CROSSBOW**

REFERENCE - NO ACCESSORIES SHOWN

STEP 4 - ADJUST MOUNTING BRACKET LOCATION IF NECESSARY



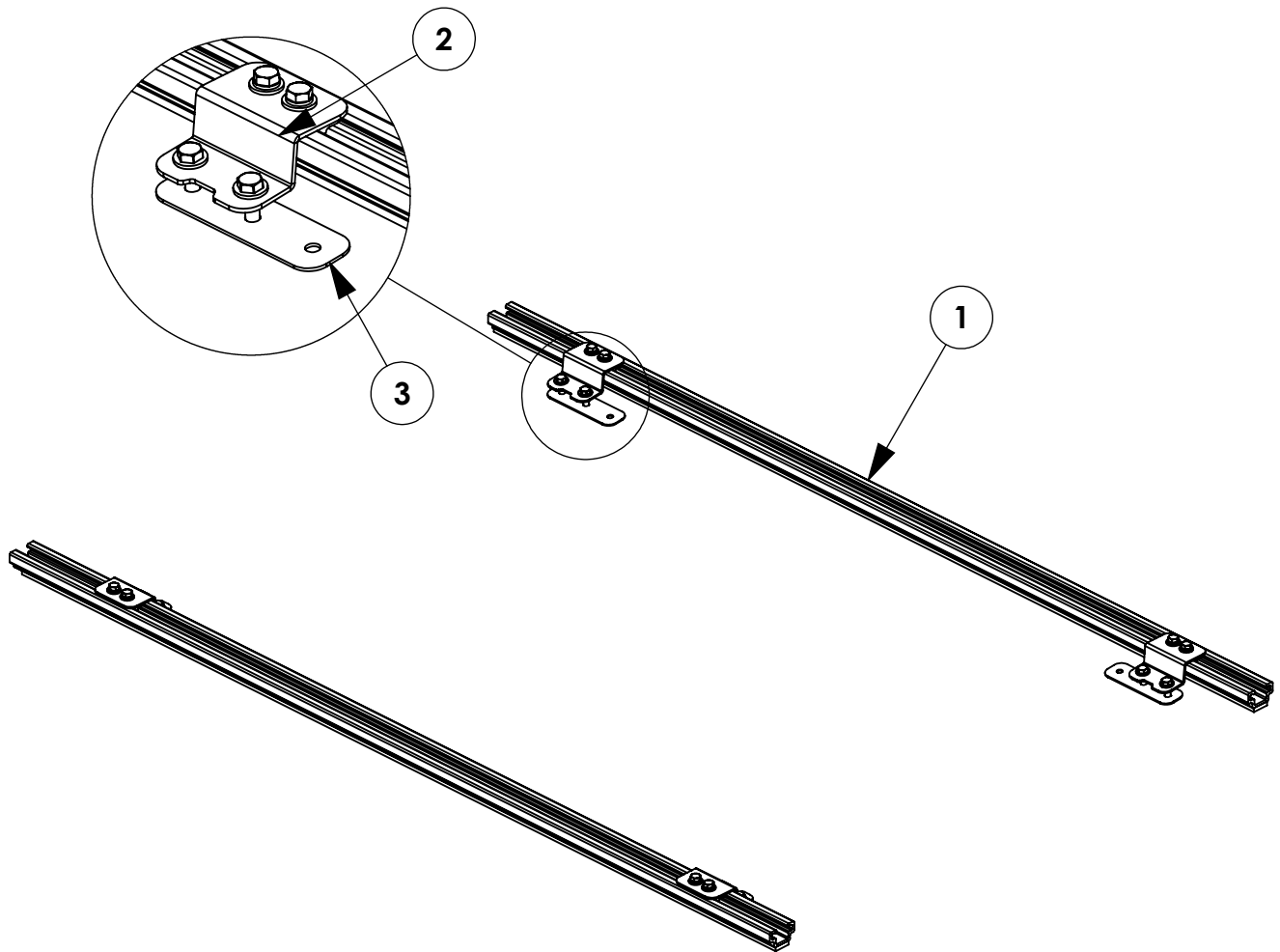
A ROOF RAIL KIT AND MAVRMBK4
KIT MOUNTING BRACKETS ARE FLUSH
WITH THE REAR TOPPER TRIM

INSTALLATION IS COMPLETE!! MAKE SURE ALL FASTENERS ARE TIGHTENED

| INSTR. NUMBER : 69251 | PG: 1 | REV: C | ITEM NO. | PART NUMBER | DESCRIPTION | RRKTOP58 | RRKTOP55 |
|---|-------|--------|----------|-------------|----------------------------|----------|----------|
| PART NUMBER • RRKTOP58 PART NUMBER • RRKTOP55 | | | 1 | BLK63348 | RAIL, 58.00 | 2 | - |
| | | | 2 | 69241 | TOPPER RAIL BRACKET | 4 | 4 |
| PART • ROOF RAIL KIT, TOPPER, 58" DESC. • ROOF RAIL KIT, TOPPER, 55" | | | 3 | 66056 | UTILITY, TOP SUPPORT PLATE | 4 | 4 |
| | | | 4 | 69902 | ROOF RAIL SPRINTER FSV | - | 2 |
| | | | 5 | 63390 | FOAM TAPE 1/4X2X120"TB | - | 2 |

NOTE: THIS INSTRUCTION IS VALID FOR THE FOLLOWING KITS:

- RRKTOP58 (SHOWN)
- RRKTOP55 / 66982



GET TO KNOW THE VEHICLE - AT THE BEGINNING OF ANY INSTALLATION, CHECK THE LOCATION OF THE FUEL TANK, FUEL LINES, BRAKE LINES, HIGH VOLTAGE BATTERIES AND WIRING HARNESSSES TO AVOID INJURY OR PROPERTY DAMAGE FROM TOOL CONTACT.

SEAL ALL EXTERIOR HOLES - ALL INSTALLATION HOLES SHOULD BE SEALED WITH BUTYL TAPE OR SILICON TO PREVENT WATER AND EXHAUST GASES FROM ENTERING THE VEHICLE.

CONTROL DRILL DEPTH - TO AVOID DAMAGE TO THE VEHICLE, USE A DRILL STOP OR CLEARED STEP BIT WHEN DRILLING INSTALLATION HOLES.

ALWAYS ADD PRIMER - WHEN ADDING INSTALLATION HOLES BE SURE TO USE A SELF-ETCHING PRIMER TO PREVENT CORROSION, FASTENER FAILURE AND INJURY.

MOUNTING POINTS MUST HAVE METAL-TO-METAL CONTACT - USE PROVIDED MOUNTING SPACERS TO ACCOMMODATE FOR VEHICLE FEATURES, CARPET OR SUBFLOORS.

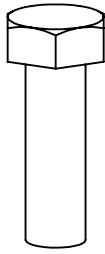
PROVIDE CLEARANCE FOR SPACERS - IF THE INSTALLATION VEHICLE CONTAINS A CARPET OR SUBFLOOR, USE A 1-3/16" DIAMETER CARPET CUTTER (P/N: 31183-0) AT ALL MOUNTING LOCATIONS TO OPEN UP ROOM FOR SPACERS.

CHECK SPACER ORIENTATION - BE SURE THAT THE INDENT IN THE SPACER COVERS THE PLUSNUT HEAD; THIS ENSURES THE MOST METAL-TO-METAL CONTACT AND REDUCES VIBRATION.

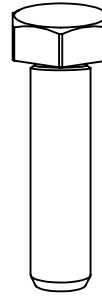
PLUSNUT INSTALLATION - A PLUSNUT GUN IS RECOMMENDED FOR PLUSNUT INSTALLATION FOR ITS PRODUCTION SPEED. HOWEVER, A PLUSNUT SETTING TOOL CAN ALSO BE USED (P/N: 22200-0).

THRU-BOLT CLEARANCE - WHEN USING A THRU-BOLT AT ANY MOUNTING LOCATION, BE SURE THAT YOUR HOLE HAS 1/16" CLEARANCE.

FASTENERS USED



FAS0597
5/16-18X1.0 SS
HH SCREW
QTY: 8



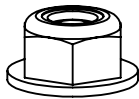
FAS0830
5/16-18X1.25 SS
SCREW, HH
QTY: 8



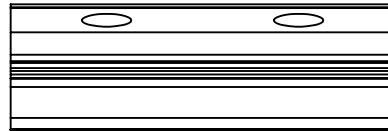
FAS0588
5/16 SS
SPLIT WASHER
QTY: 8



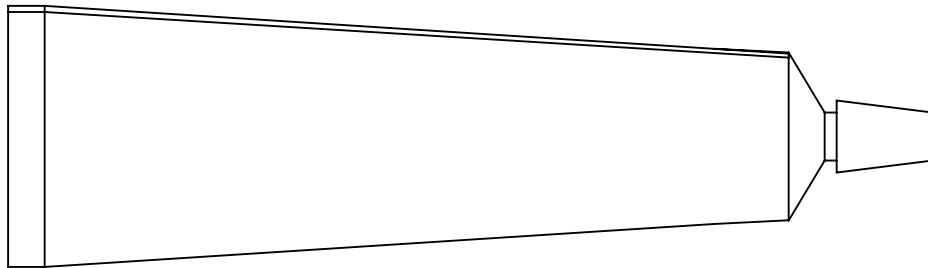
FAS0552
5/16 SS
FLAT WASHER
QTY: 16



FAS0861
5/16-18 SS
HH FLG NUT
QTY: 8



63491
RAIL SLIDE
2"
QTY: 4

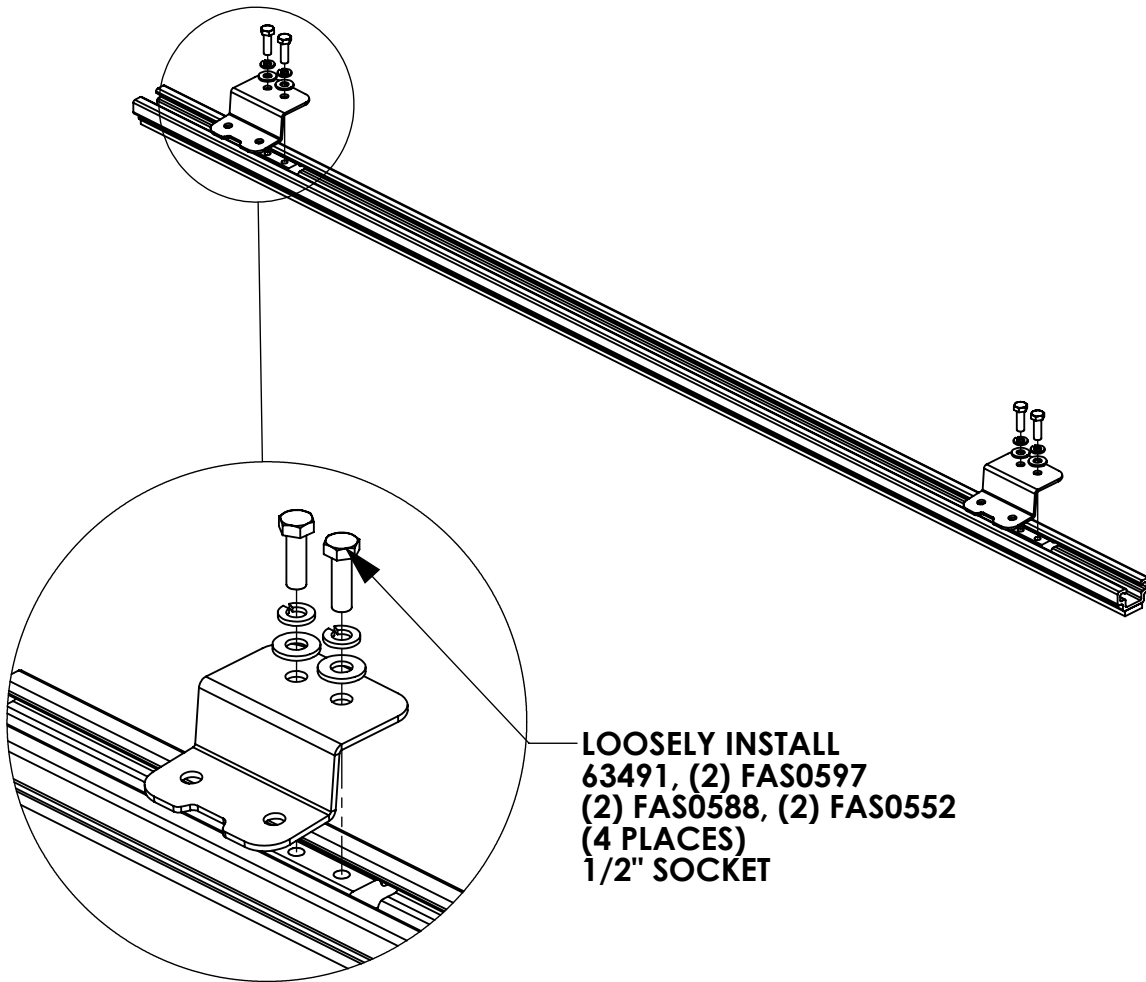


26618-0
SILICONE
1 OZ TUBE
QTY: 1

STEP 1 - ASSEMBLE BRACKETS TO ROOF RAILS

ADD SLIDES FOR MOUNTING BRACKETS BEFORE ADDING SLIDES FOR RAIL BRACKETS!!

BRACKET LOCATIONS WILL BE DETERMINED BY THE SIZE AND SPACING OF THE WELDED REINFORCEMENT PLATES PROVIDED WITH THE TOPPER.

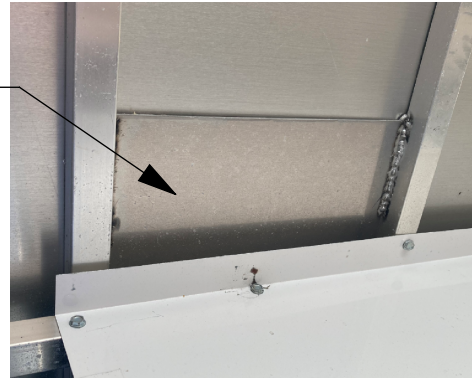


STEP 2 - MARK AND DRILL HOLES TO MOUNT RAILS

LOCATE THE REINFORCEMENT PLATES ON BOTH SIDES OF TOPPER (FRONT AND REAR).

MOUNTING HOLES IN RAIL BRACKETS NEED TO BE ABOVE THESE WHEN INSTALLED!!!

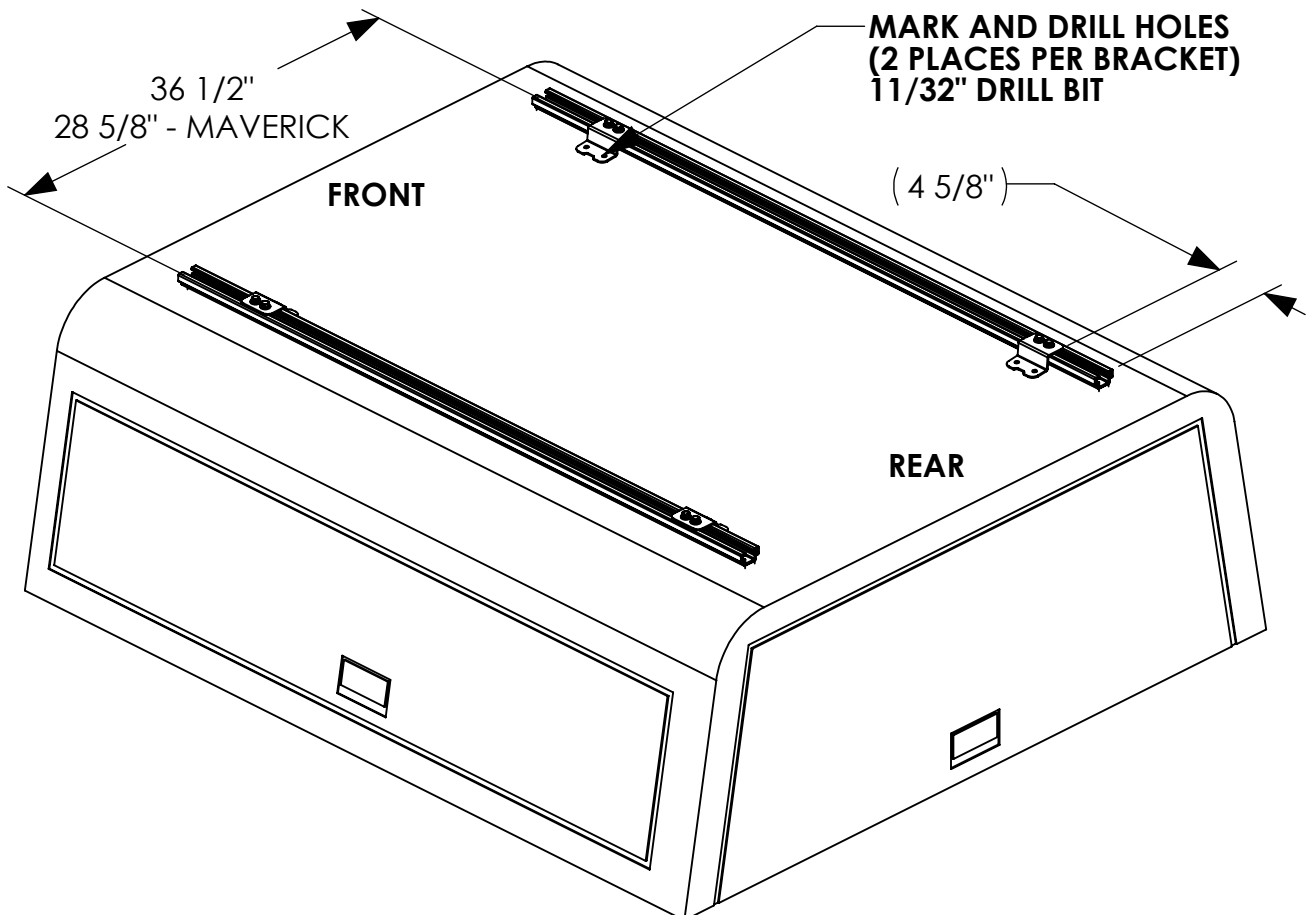
NOTE: INSIDE OF TOPPER SHOWN HERE



SET RAILS WITH BRACKETS ON ROOF, CENTER-TO-CENTER DISTANCE OF RAILS MUST BE A MINIMUM OF 36 1/2", CENTERED ON THE TOPPER.

IF INSTALLING THE 55" ROOF RAIL KIT ON A FORD MAVERICK, THIS DIMENSION SHOULD BE APPROXIMATELY 28 5/8".

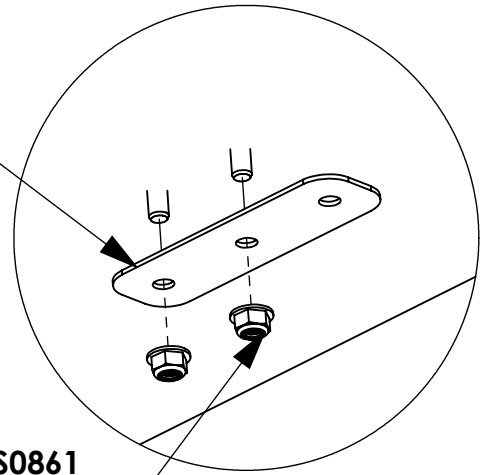
PLEASE ENSURE THE SPACING OF THE RAIL BRACKETS PROVIDE ENOUGH CLEARANCE FOR THE MOUNTING BRACKETS OF THE RACK TO BE INSTALLED. RACK SHOULD BE INSTALLED AS FAR REARWARD AS POSSIBLE. THE 4 5/8" DIMENSION IS A MINIMUM MEASUREMENT, BUT CAN BE MOUNTED ANYWHERE ALONG THE RAIL TO UTILIZE THE REINFORCEMENT PLATES



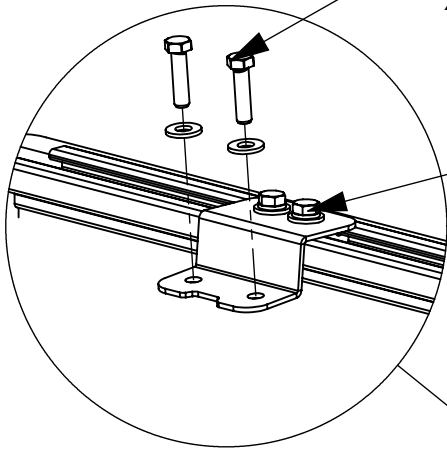
STEP 3 - MOUNT RAILS TO TOPPER

NOTE: INSIDE OF TOPPER SHOWN HERE

POSITION PLATE TO ALLOW THE MOST SURFACE AREA OF THE PLATE TO CONTACT THE WELDED REINFORCEMENT PLATES.

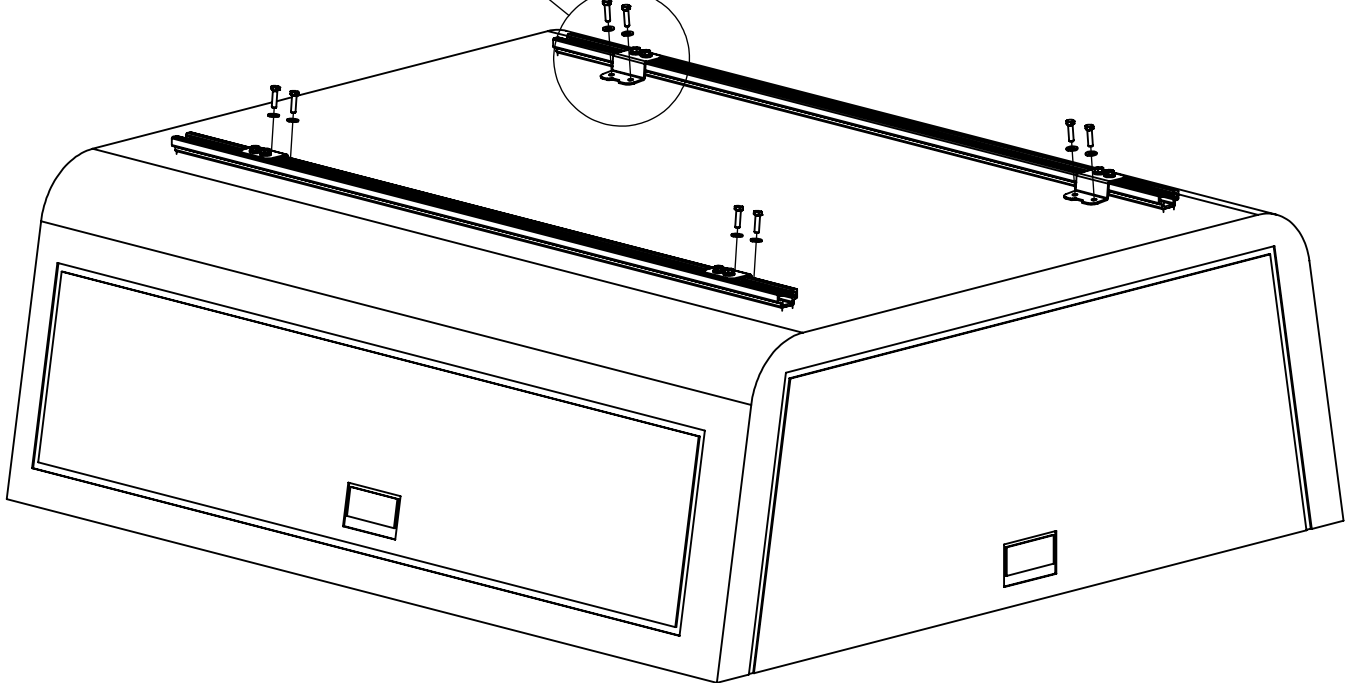
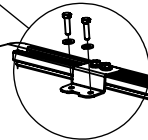


**FAS0830, FAS0552, FAS0861
(2 PLACES PER BRACKET)
1/2" SOCKET
1/2" WRENCH**



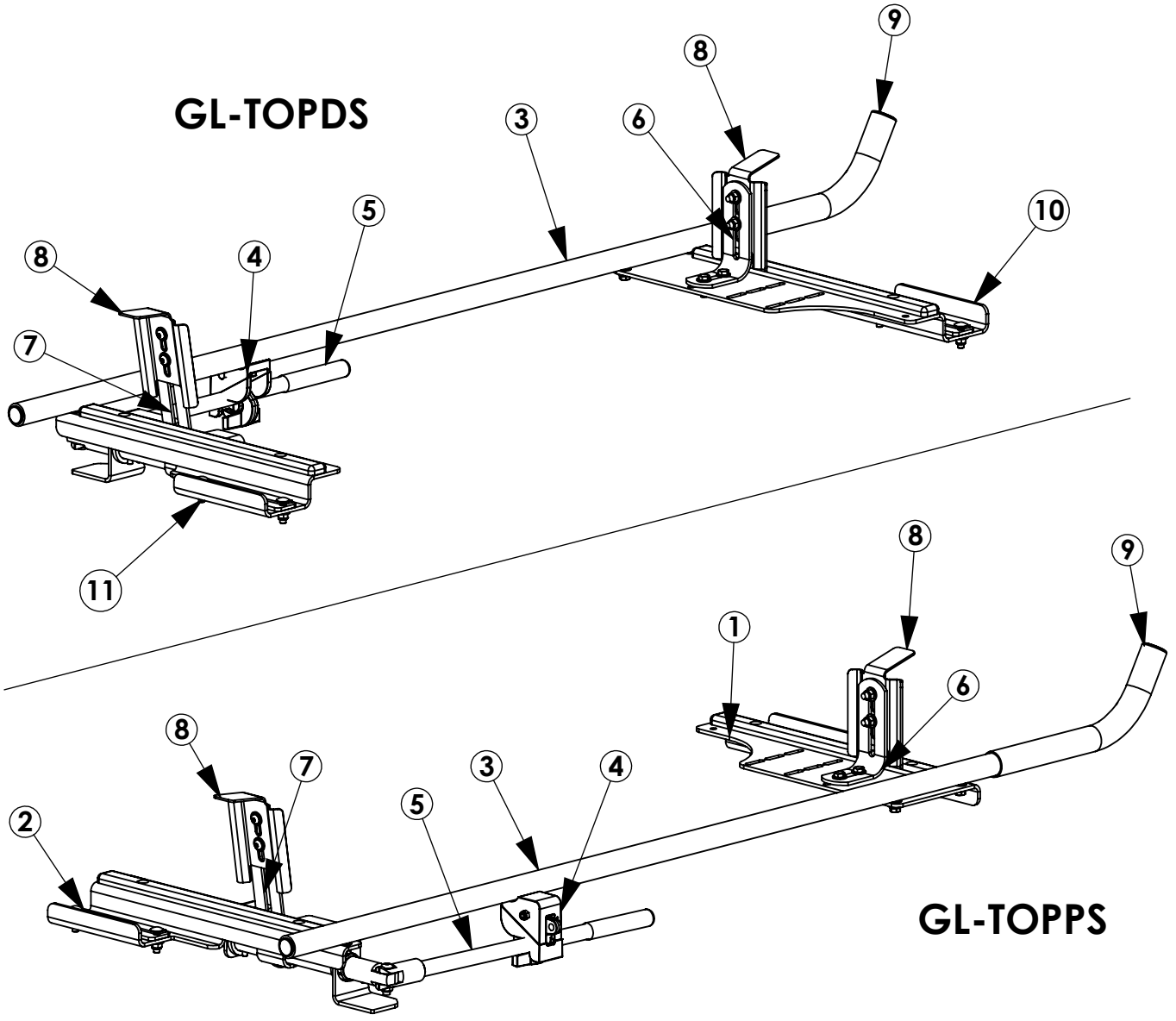
**FULLY TIGHTEN BOLTS
(2 PLACES PER BRACKET)
1/2" SOCKET**

**POKE FASTENERS THROUGH FOAM TAPE.
APPLY SILICONE AROUND DRILLED HOLES!**



| INSTR. NUMBER | PG. | REV. | ITEM NO. | PART NUMBER | DESCRIPTION | GL-TOPPS | GL-TOPDS | | | | | |
|--|-----|---------|----------|-------------|-------------------------------|----------|----------|----|---------|------------------------------|---|---|
| : 69372 | 1 | A | 1 | 66359 | GRIP LOCK FRONT BRACE ASSM CS | 1 | - | | | | | |
| | | | 2 | 66360 | GRIP LOCK REAR BRACE ASSM CS | 1 | - | | | | | |
| | | | 3 | 69244 | GRIP-LOCK, TOP OUT TUB, ASM | 1 | 1 | | | | | |
| PART NUMBER : GL-TOPPS & GL-TOPDS | 4 | 25340-0 | 5 | 66291-W | HANDLE LATCH-STD | 1 | 1 | | | | | |
| | | | | | | | | 5 | 66291-W | GRIP LOCK HANDLE, WHITE | 1 | 1 |
| PART • GRIP-LOCK, TOPPER, PS DESC. • GRIP-LOCK, TOPPER, DS | 6 | 50981-B | 7 | 66289-W | FRONT STOP POST | 1 | 1 | | | | | |
| | | | | | | | | 8 | 66292-B | CLAMP PAD, BLACK | 2 | 2 |
| NOTE: THIS INSTRUCTION IS VALID FOR THE FOLLOWING KITS: | 9 | 27254-B | 10 | 66361 | GRIP LOCK FRONT BRACE SS ASSM | - | 1 | | | | | |
| | | | | | | | | 11 | 66362 | GRIP LOCK REAR BRACE ASSM SS | - | 1 |

- GL-TOPPS
 - GL-TOPDS
 - GL-TOPPSB
 - GL-TOPDSB
- PART NUMBERS WITH "-W" SUFFIX ARE PAINTED WHITE
 - FOR BLACK GRIP-LOCK™, REPLACE "-W" PARTS WITH "-B" PARTS
 - INSTRUCTION SHOWS INSTALL FOR GL-TOPPS.
 - MIRROR STEPS FOR GL-TOPDS



GET TO KNOW THE VEHICLE - AT THE BEGINNING OF ANY INSTALLATION, CHECK THE LOCATION OF THE FUEL TANK, FUEL LINES, BRAKE LINES, HIGH VOLTAGE BATTERIES AND WIRING HARNESSSES TO AVOID INJURY OR PROPERTY DAMAGE FROM TOOL CONTACT.

SEAL ALL EXTERIOR HOLES - ALL INSTALLATION HOLES SHOULD BE SEALED WITH BUTYL TAPE OR SILICON TO PREVENT WATER AND EXHAUST GASES FROM ENTERING THE VEHICLE.

CONTROL DRILL DEPTH - TO AVOID DAMAGE TO THE VEHICLE, USE A DRILL STOP OR CLEARED STEP BIT WHEN DRILLING INSTALLATION HOLES.

ALWAYS ADD PRIMER - WHEN ADDING INSTALLATION HOLES BE SURE TO USE A SELF-ETCHING PRIMER TO PREVENT CORROSION, FASTENER FAILURE AND INJURY.

MOUNTING POINTS MUST HAVE METAL-TO-METAL CONTACT - USE PROVIDED MOUNTING SPACERS TO ACCOMMODATE FOR VEHICLE FEATURES, CARPET OR SUBFLOORS.

PROVIDE CLEARANCE FOR SPACERS - IF THE INSTALLATION VEHICLE CONTAINS A CARPET OR SUBFLOOR, USE A 1-3/16" DIAMETER CARPET CUTTER (P/N: 31183-0) AT ALL MOUNTING LOCATIONS TO OPEN UP ROOM FOR SPACERS.

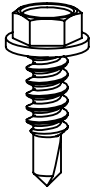
CHECK SPACER ORIENTATION - BE SURE THAT THE INDENT IN THE SPACER COVERS THE PLUSNUT HEAD; THIS ENSURES THE MOST METAL-TO-METAL CONTACT AND REDUCES VIBRATION.

PLUSNUT INSTALLATION - A PLUSNUT GUN IS RECOMMENDED FOR PLUSNUT INSTALLATION FOR ITS PRODUCTION SPEED. HOWEVER, A PLUSNUT SETTING TOOL CAN ALSO BE USED (P/N: 22200-0).

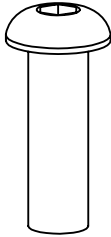
THRU-BOLT CLEARANCE - WHEN USING A THRU-BOLT AT ANY MOUNTING LOCATION, BE SURE THAT YOUR HOLE HAS 1/16" CLEARANCE.

FASTENERS USED

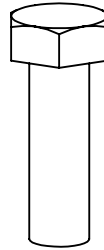
QUANTITIES PROVIDED ARE FOR A SINGLE SIDE INSTALL



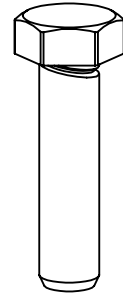
FAS0473
#12x.75
HH TEK SCREW
QTY: 4



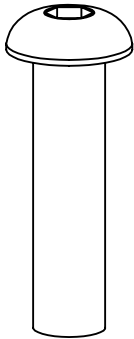
FAS0813
5/16-18 X 1.0 SS
BHC SCREW
QTY: 4



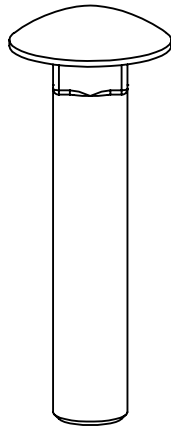
FAS0597
5/16-18 X 1.0 SS
HH SCREW
QTY: 2



FAS0830
5/16-18 X 1.25 SS
HH SCREW
QTY: 4



FAS0819
5/16-18 X 1.5 SS
BHC SCREW
QTY: 1



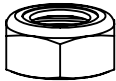
FAS0721
3/8-16 X 2.0 SS
CRG BOLT
QTY: 1



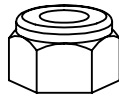
FAS0588
5/16-18 SS
SPLIT WASHER
QTY: 4



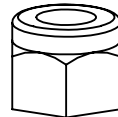
FAS0552
5/16-18 SS
FLAT WASHER
QTY: 16



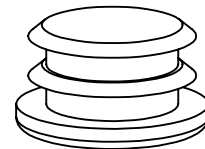
FAS0399
3/8-16 SS
NYL NUT
QTY: 1



FAS0248
5/16-18 SS
NYL NUT
QTY: 6



FAS0110
3/8-16 SS
NYL NUT
QTY: 1



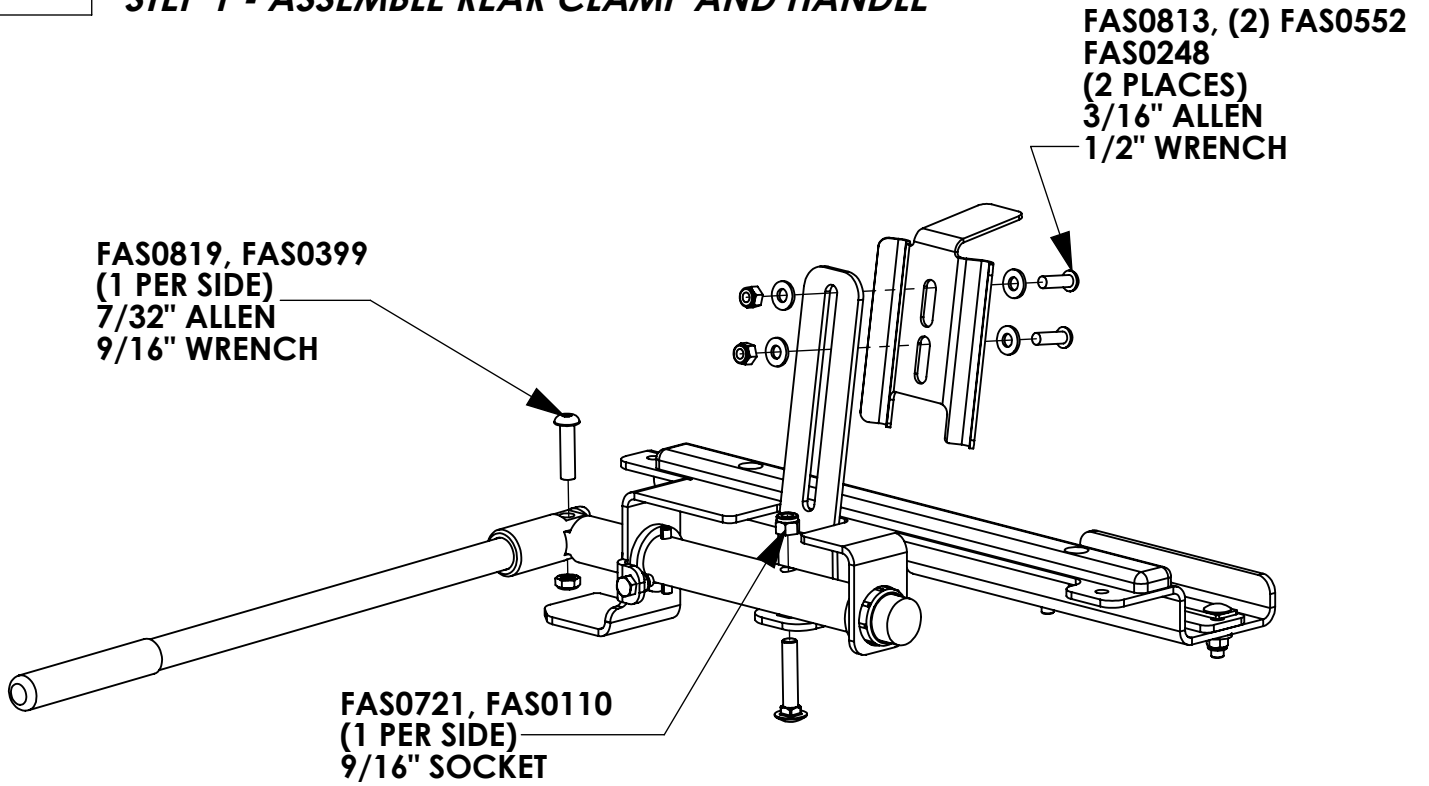
51363
1" RND BLK
CAP PLUG
QTY: 1

63851
CROSSBOW
END CAP
QTY: 2

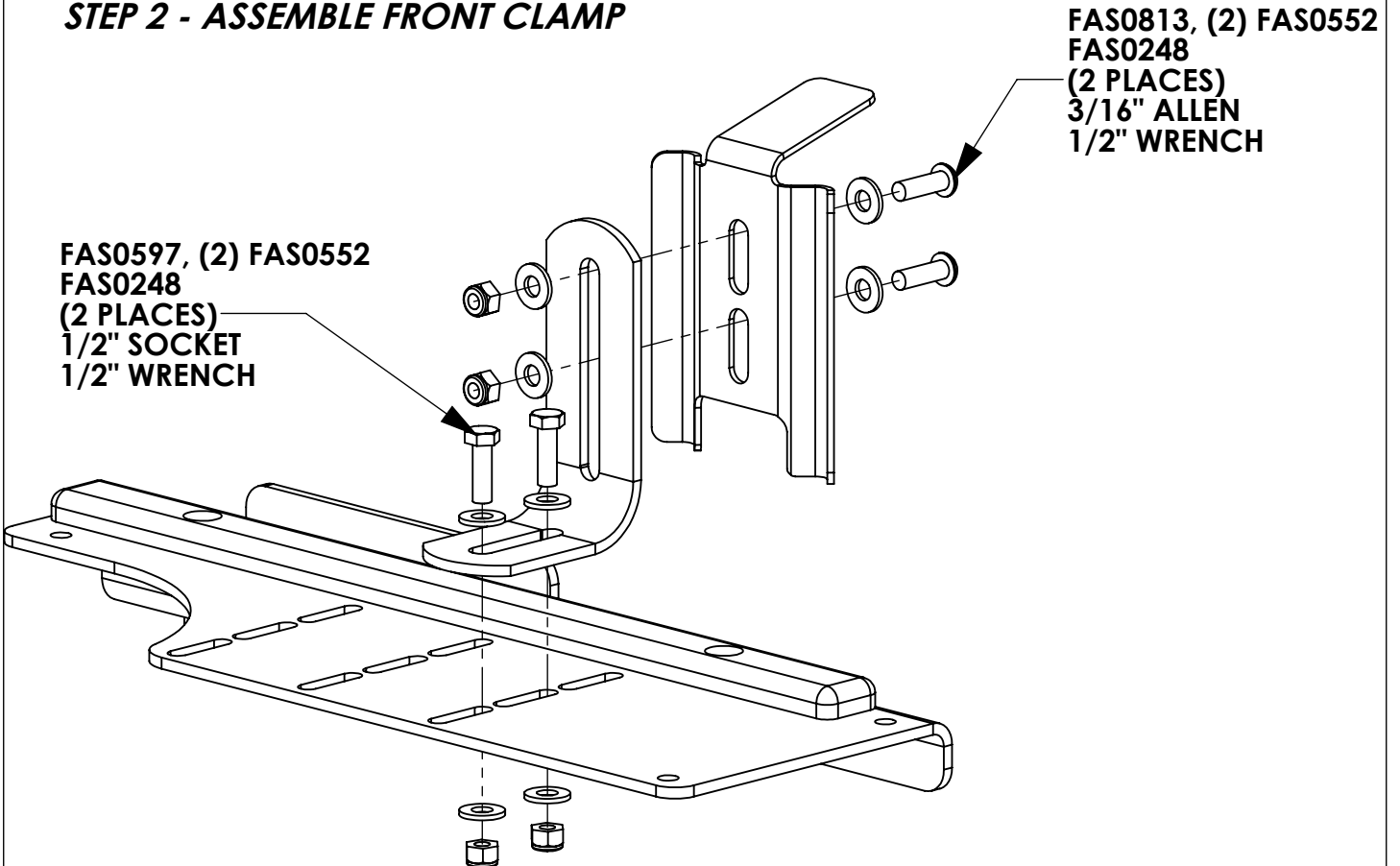


BEGIN ASSEMBLY

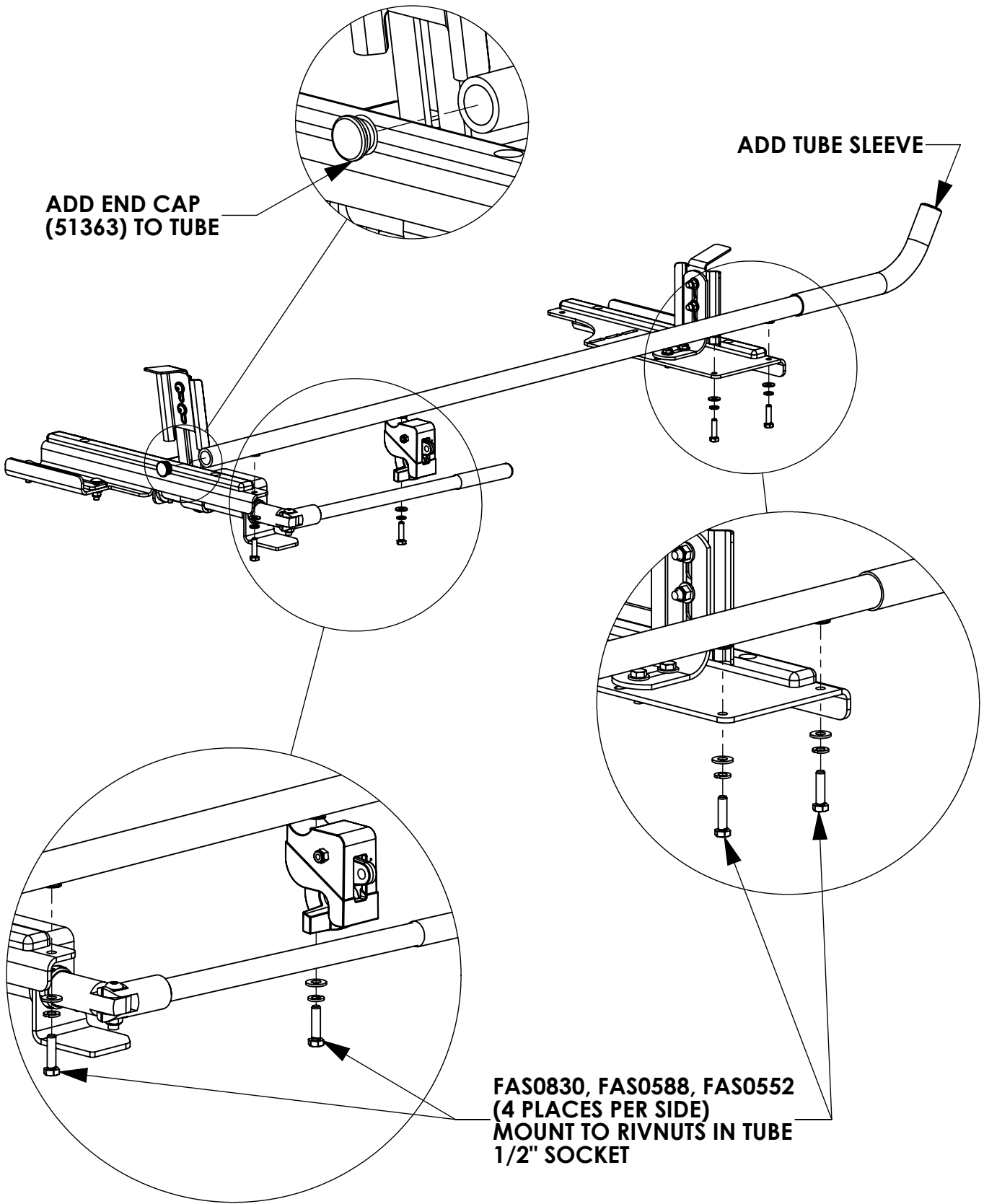
STEP 1 - ASSEMBLE REAR CLAMP AND HANDLE



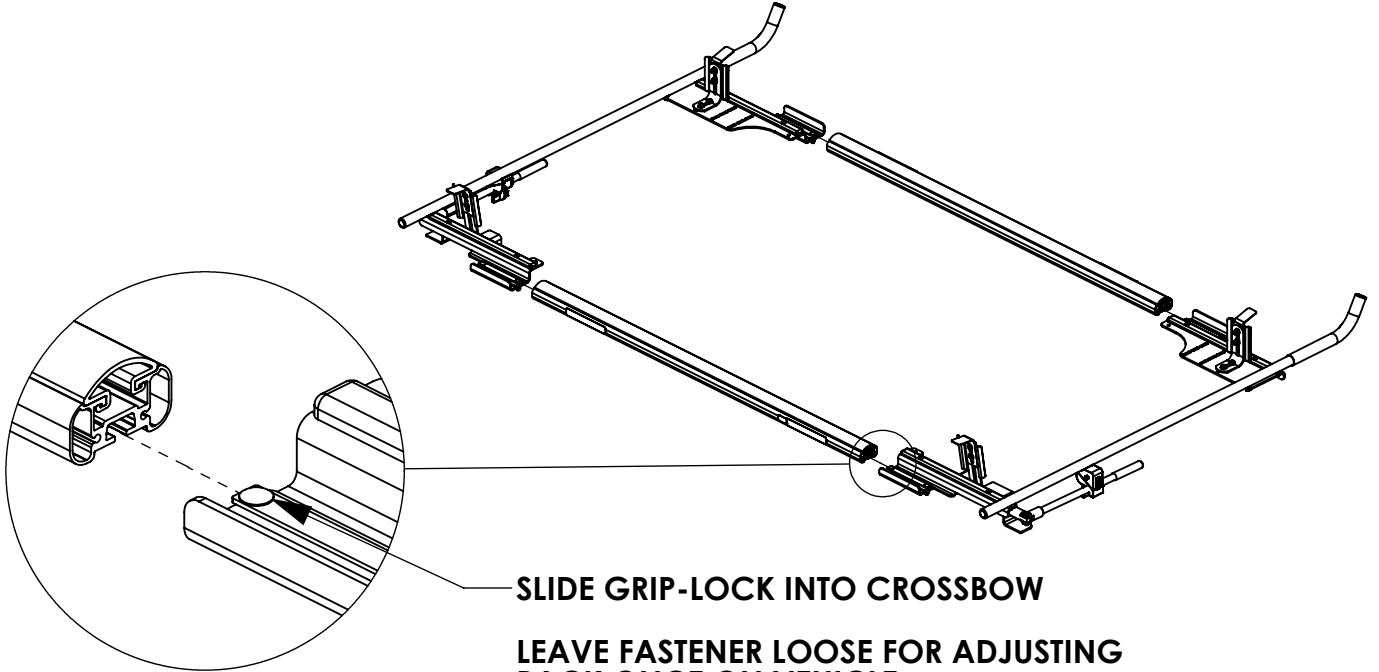
STEP 2 - ASSEMBLE FRONT CLAMP



STEP 3 - ASSEMBLE OUTER TUBE



STEP 4 - SUB-ASSEMBLY ON CROSSBOWS

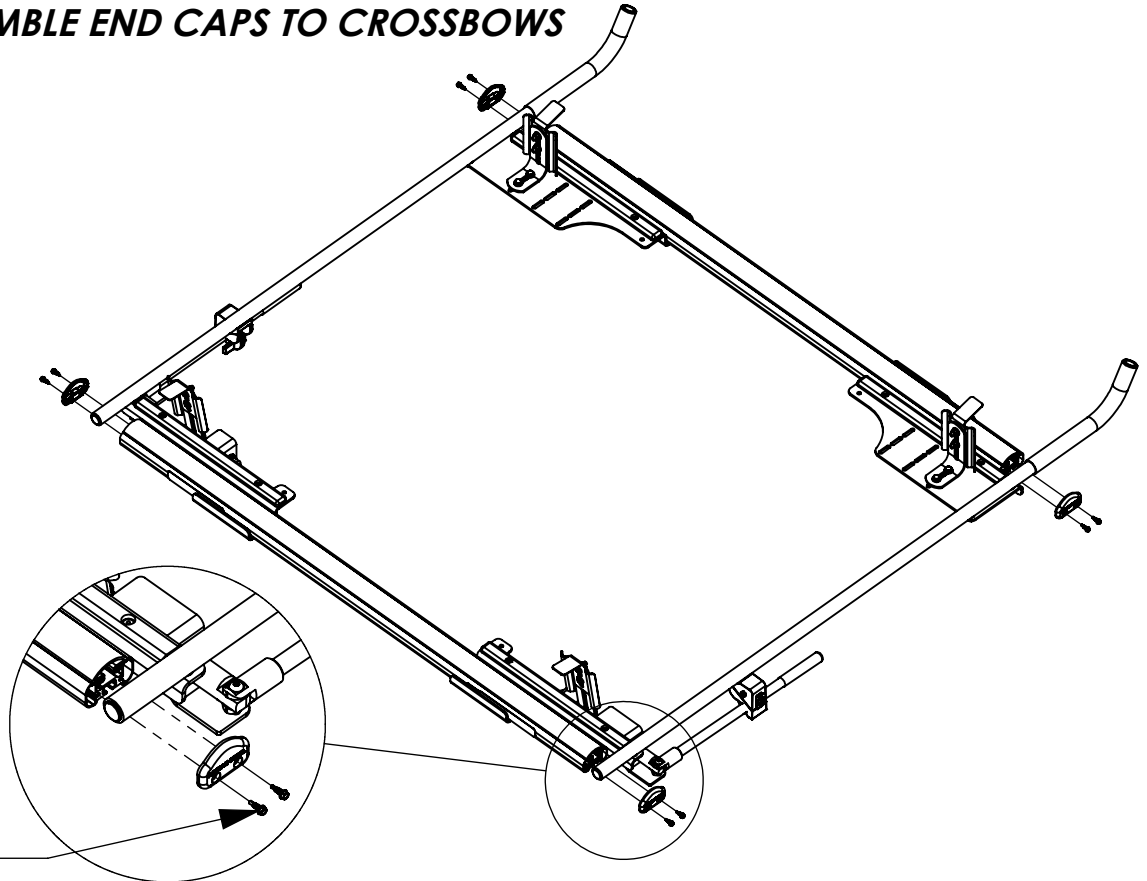


SLIDE GRIP-LOCK INTO CROSSBOW

**LEAVE FASTENER LOOSE FOR ADJUSTING
RACK ONCE ON VEHICLE**

**ONCE IN POSITION, TIGHTEN ALL LOCATIONS
(4 PLACES PER SIDE)
1/2" SOCKET**

STEP 5 - ASSEMBLE END CAPS TO CROSSBOWS



**FAS0473
(2 PER END CAP)
3/8" SOCKET**