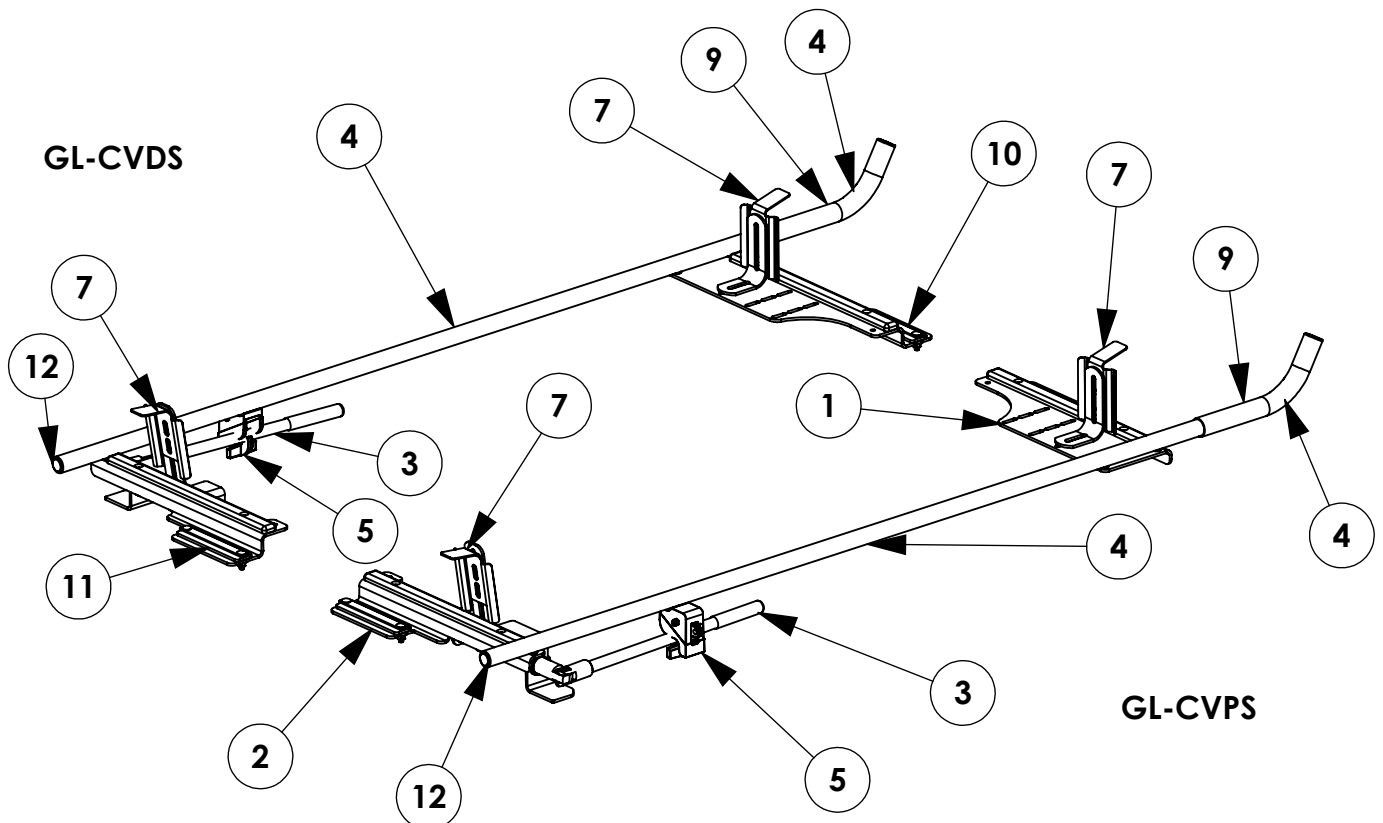


INSTR. NUMBER : 68554	PG: 1	REV: B	ITEM NO.	PART NUMBER	DESCRIPTION	GL-CVDS	GL-CVPS
PART NUMBER : GL-CVDS & GL-CVPS			1	66359	GRIP LOCK FRONT BRACE ASSM CS	1	-
			2	66360	GRIP LOCK REAR BRACE ASSM CS	1	-
PART • GRIP LOCK, COMPACT VAN, DS DESC. • GRIP LOCK, COMPACT VAN, PS			3	66291-W	GRIP LOCK HANDLE, WHITE	1	1
NOTE: THIS INSTRUCTION IS VALID FOR THE FOLLOWING KITS: -GL-CVDS -GL-CVPS -GL-CVDSB -GL-CVPSB THESE INTRUCTIONS CAN BE USED FOR A SINGLE OR DOUBLE GRIP LOCK ON VARIOUS LOW ROOF VEHICLES			4	68434	GRIP LOCK, CP TUBE ASM	1	1
			5	25340-0	HANDLE LATCH-STD	1	1
			6	50981-B	FRONT STOP POST	1	1
			7	66292-B	CLAMP PAD, BLACK	2	2
			8	66289-W	GRIP LOCK HANDLE POST, WHITE	1	1
			9	27254-B	SLEEVE-HORN,L.R. BLACK	1	1
			10	66361	GRIP LOCK FRONT BRACE SS ASSM	-	1
			11	66362	GRIP LOCK REAR BRACE ASSM SS	-	1
			12	51363	CAP PLUG, RND 1.00, BLACK	1	1

- PART NUMBERS WITH "-W" SUFFIXS ARE PAINTED WHITE
- FOR WHITE MOUNTING KITS, REPLACE "-W" WITH "-B" PARTS
NOTE: 66359, 66360, 66361, & 66362 ARE ALSO AVAILABLE IN BLACK VARIANTS
- FOR THEIR IDENTIFICATION, ADD THE "-B" SUFFIX TO THE END OF THE PART NUMBER



GET TO KNOW THE VEHICLE - AT THE BEGINNING OF ANY INSTALLATION, CHECK THE LOCATION OF THE FUEL TANK, FUEL LINES, BRAKE LINES, HIGH VOLTAGE BATTERIES AND WIRING HARNESES TO AVOID INJURY OR PROPERTY DAMAGE FROM TOOL CONTACT.

SEAL ALL EXTERIOR HOLES - ALL INSTALLATION HOLES SHOULD BE SEALED WITH BUTYL TAPE OR SILICON TO PREVENT WATER AND EXHAUST GASES FROM ENTERING THE VEHICLE.

CONTROL DRILL DEPTH - TO AVOID DAMAGE TO THE VEHICLE, USE A DRILL STOP OR CLEARED STEP BIT WHEN DRILLING INSTALLATION HOLES.

ALWAYS ADD PRIMER - WHEN ADDING INSTALLATION HOLES BE SURE TO USE A SELF-ETCHING PRIMER TO PREVENT CORROSION, FASTENER FAILURE AND INJURY.

MOUNTING POINTS MUST HAVE METAL-TO-METAL CONTACT - USE PROVIDED MOUNTING SPACERS TO ACCOMMODATE FOR VEHICLE FEATURES, CARPET OR SUBFLOORS.

PROVIDE CLEARANCE FOR SPACERS - IF THE INSTALLATION VEHICLE CONTAINS A CARPET OR SUBFLOOR, USE A 1-3/16" DIAMETER CARPET CUTTER (P/N: 31183-0) AT ALL MOUNTING LOCATIONS TO OPEN UP ROOM FOR SPACERS.

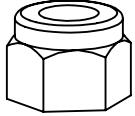
CHECK SPACER ORIENTATION - BE SURE THAT THE INDENT IN THE SPACER COVERS THE PLUSNUT HEAD; THIS ENSURES THE MOST METAL-TO-METAL CONTACT AND REDUCES VIBRATION.

PLUSNUT INSTALLATION - A PLUSNUT GUN IS RECOMMENDED FOR PLUSNUT INSTALLATION FOR ITS PRODUCTION SPEED. HOWEVER, A PLUSNUT SETTING TOOL CAN ALSO BE USED (P/N: 22200-0).

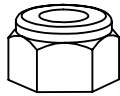
THRU-BOLT CLEARANCE - WHEN USING A THRU-BOLT AT ANY MOUNTING LOCATION, BE SURE THAT YOUR HOLE HAS 1/16" CLEARANCE.

FASTENERS USED

QUANTITIES PROVIDED ARE FOR A SINGLE SIDE INSTALL



FAS0110
3/8-16 SS
NLK NUT
QTY: 1



FAS0248
5/16-18 SS
NYL NUT
QTY: 6



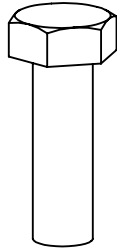
FAS0399
3/8-16 SS
NYL NUT
QTY: 1



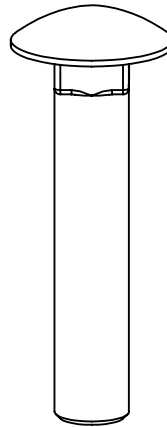
FAS0552
5/16 SS
FLAT WASHER
QTY: 16



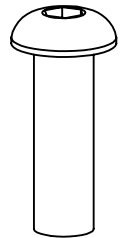
FAS0588
5/16 SS
SPLIT WASHER
QTY: 4



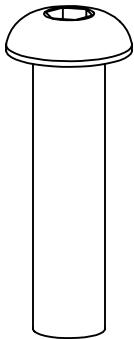
FAS0597
5/16-18 X 1.0 SS
HH SCREW
QTY: 2



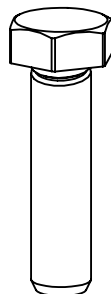
FAS0721
3/8-16 X 2.0 SS
CRG BOLT
QTY: 1



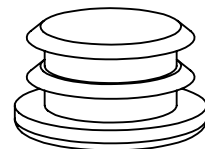
FAS0813
5/16-18 X 1.0 SS
BHC SCREW
QTY: 4



FAS0819
3/8-16 X 1.5 SS
BHC SCREW
QTY: 1



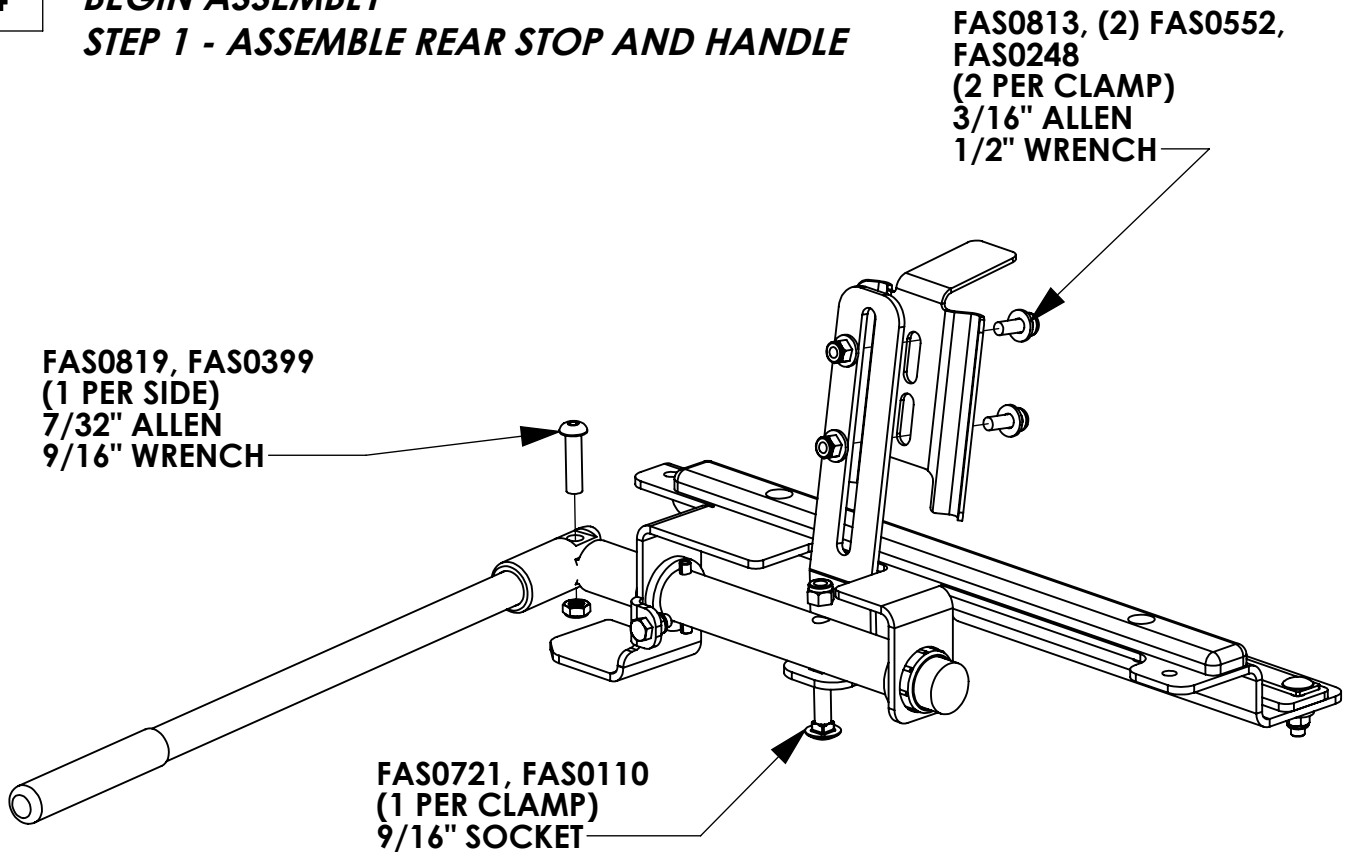
FAS0830
5/16-18 X 1.25 SS
HH SCREW
QTY: 4



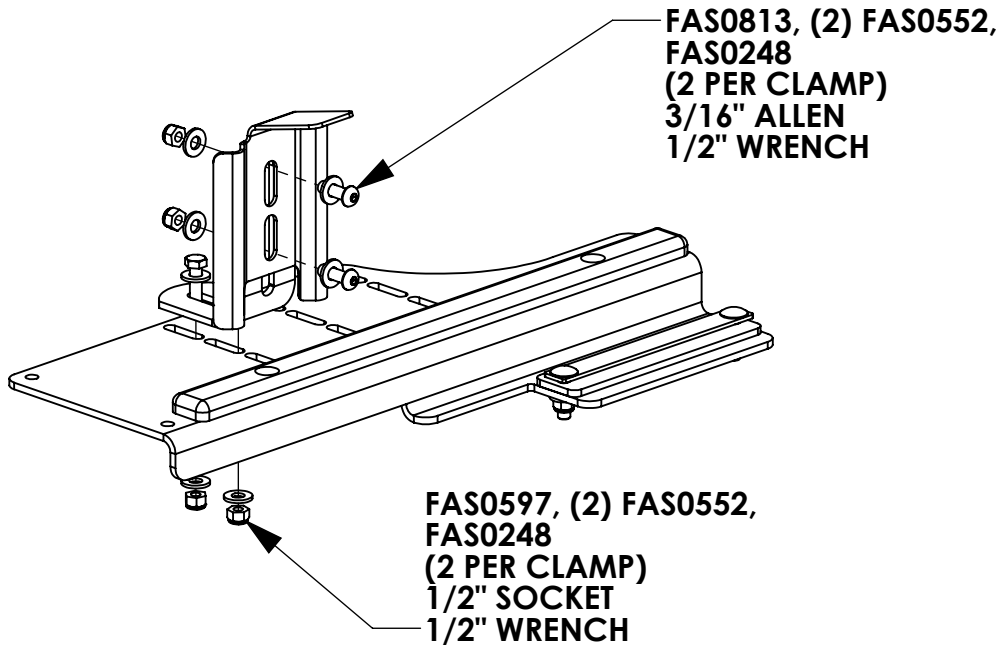
51363
1" RND BLK
CAP PLUG
QTY: 1

BEGIN ASSEMBLY

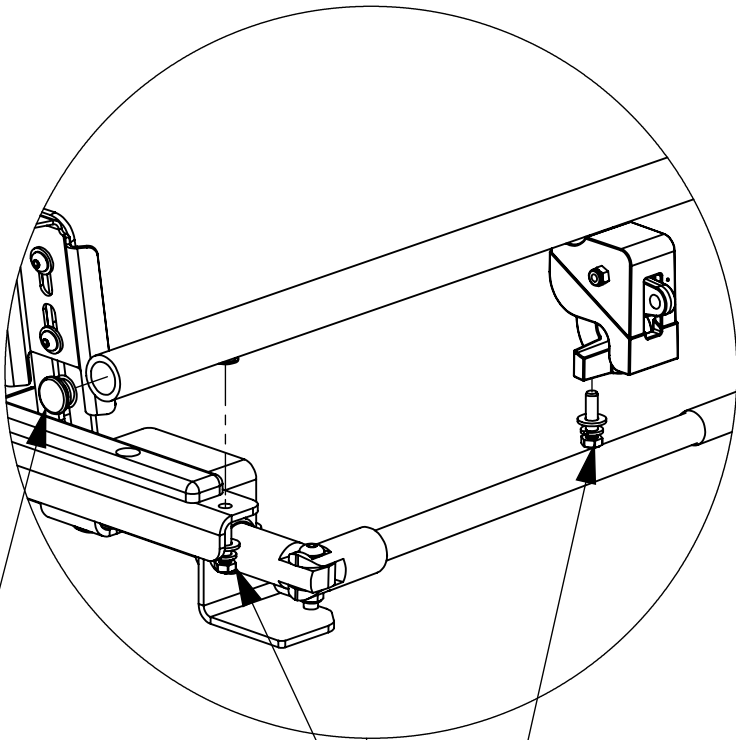
STEP 1 - ASSEMBLE REAR STOP AND HANDLE



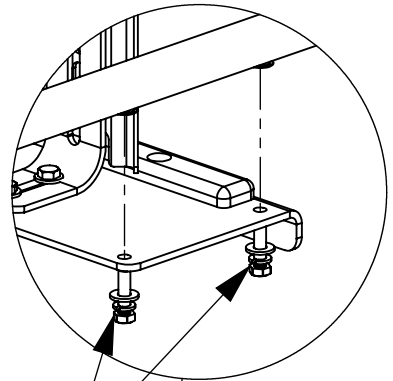
STEP 2 - ASSEMBLE FRONT STOP



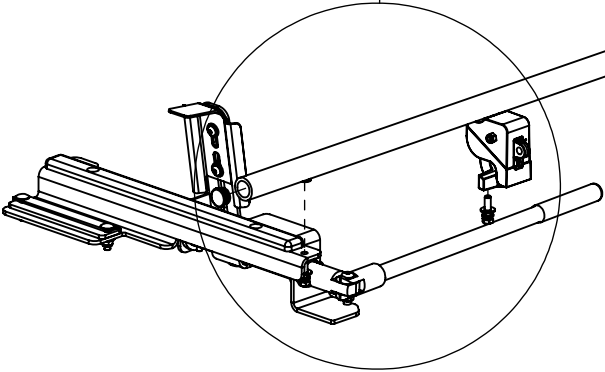
STEP 3 - ASSEMBLE OUTER TUBE



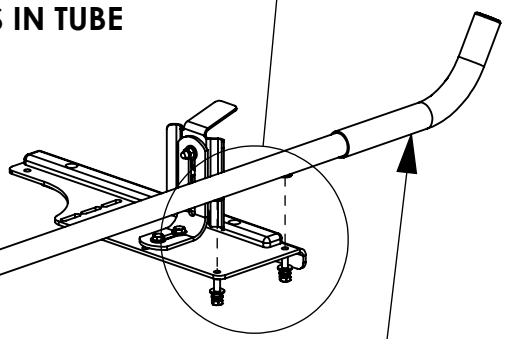
**ADD END CAP
TO TUBE**



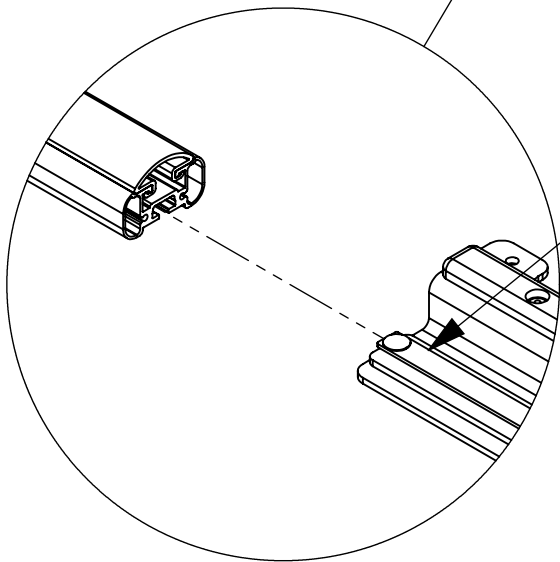
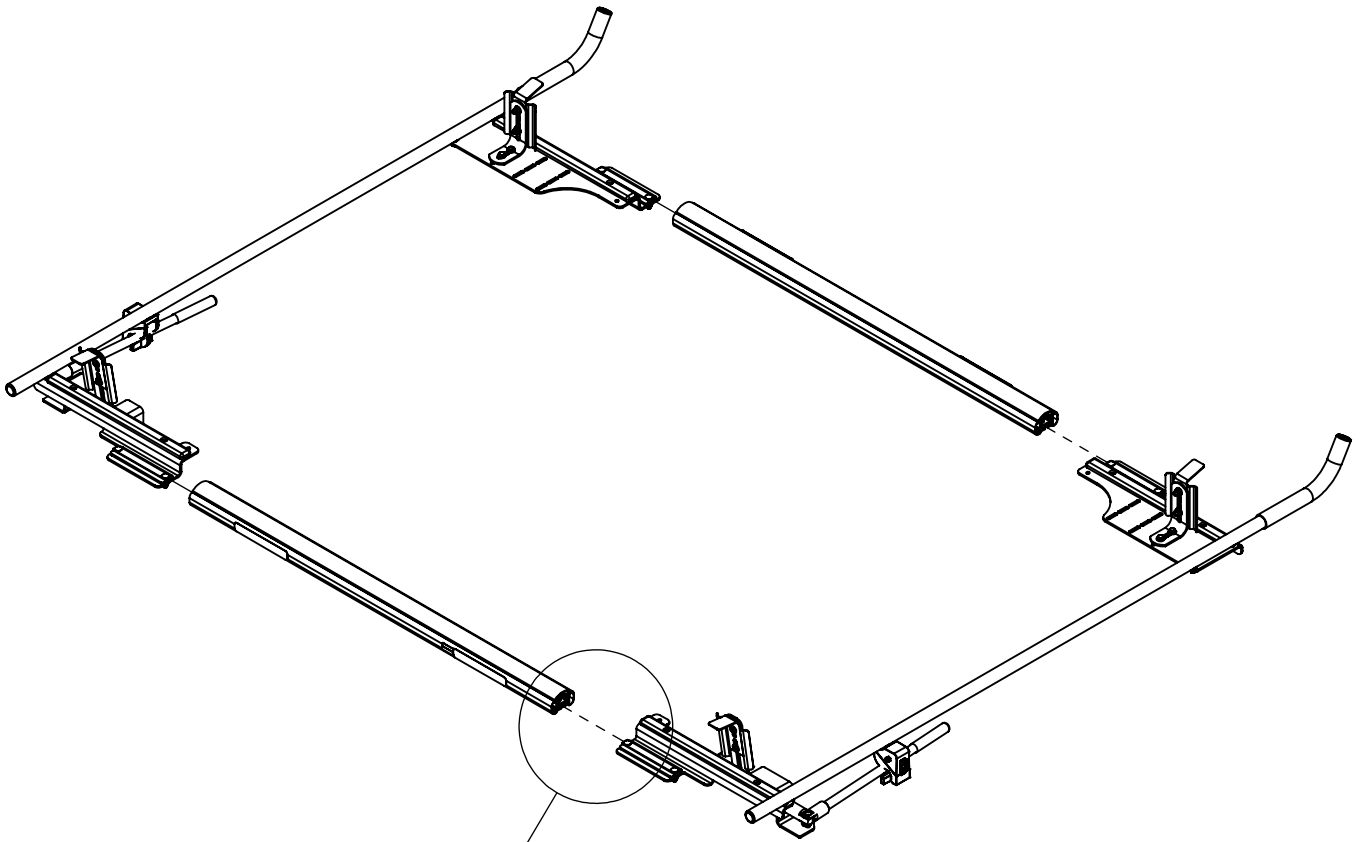
**FAS0830, FAS0588, FAS0552
(4 PER SIDE)
MOUNT TO RIVNUTS IN TUBE
1/2" SOCKET**



ADD TUBE SLEEVE



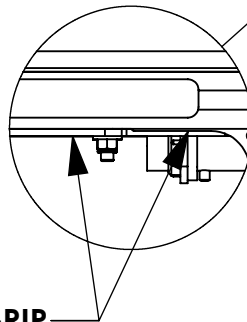
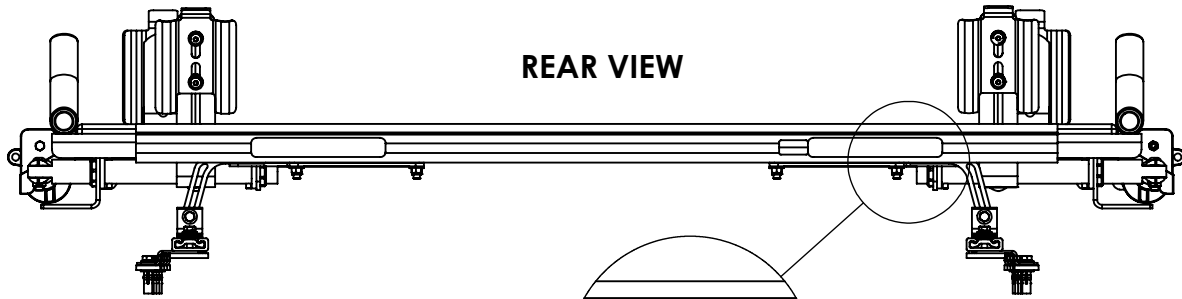
STEP 4 - INSTALL ON CROSSBOW



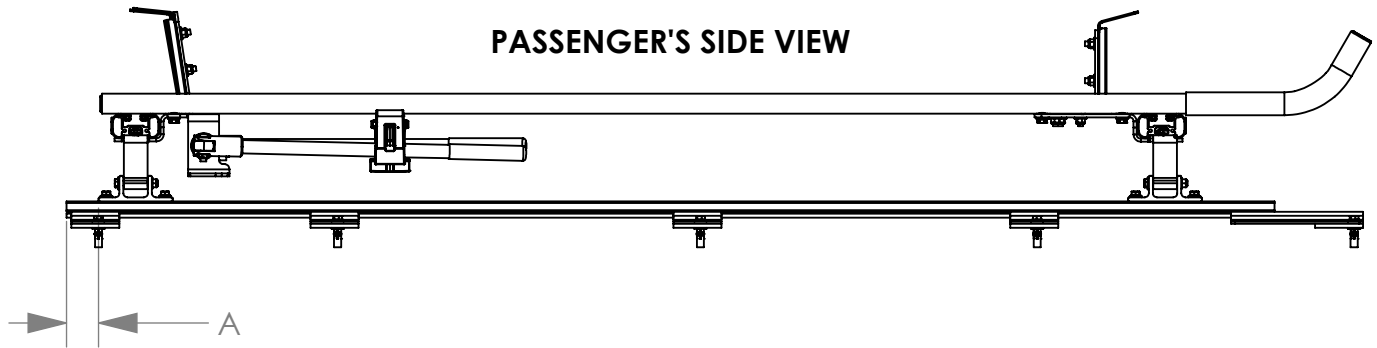
SLIDE GRIP LOCK INTO CROSSBAR
LEAVE FASTENERS LOOSE FOR
ADJUSTING RACK ONCE ON VEHICLE

STEP 5 - MOUNTING DIMENSIONS GUIDE

NOTE: IMAGES SHOW THE RAIL KIT FOR THE TRANSIT CONNECT LONG WHEELBASE FOR VISUALIZATION. VEHICLE SPECIFIC MEASUREMENTS ARE PROVIDED IN TABLE BELOW.



NOTE: SLIDE THE GRIP LOCK CARTRIDGE OUT, UNTIL IT TOUCHES THE MOUNTING BRACKET.



VEHICLE	TRANSIT CONNECT LWB	TRANSIT CONNECT SWB	PROMASTER CITY	MERCEDES METRIS LWB	MERCEDES METRIS SWB
A	2.0	2.0	2.0	2.0	2.0

NOTE: "A" IS DISTANCE FROM END OF ROOF RAIL TO MOUNTING BRACKET FOOT

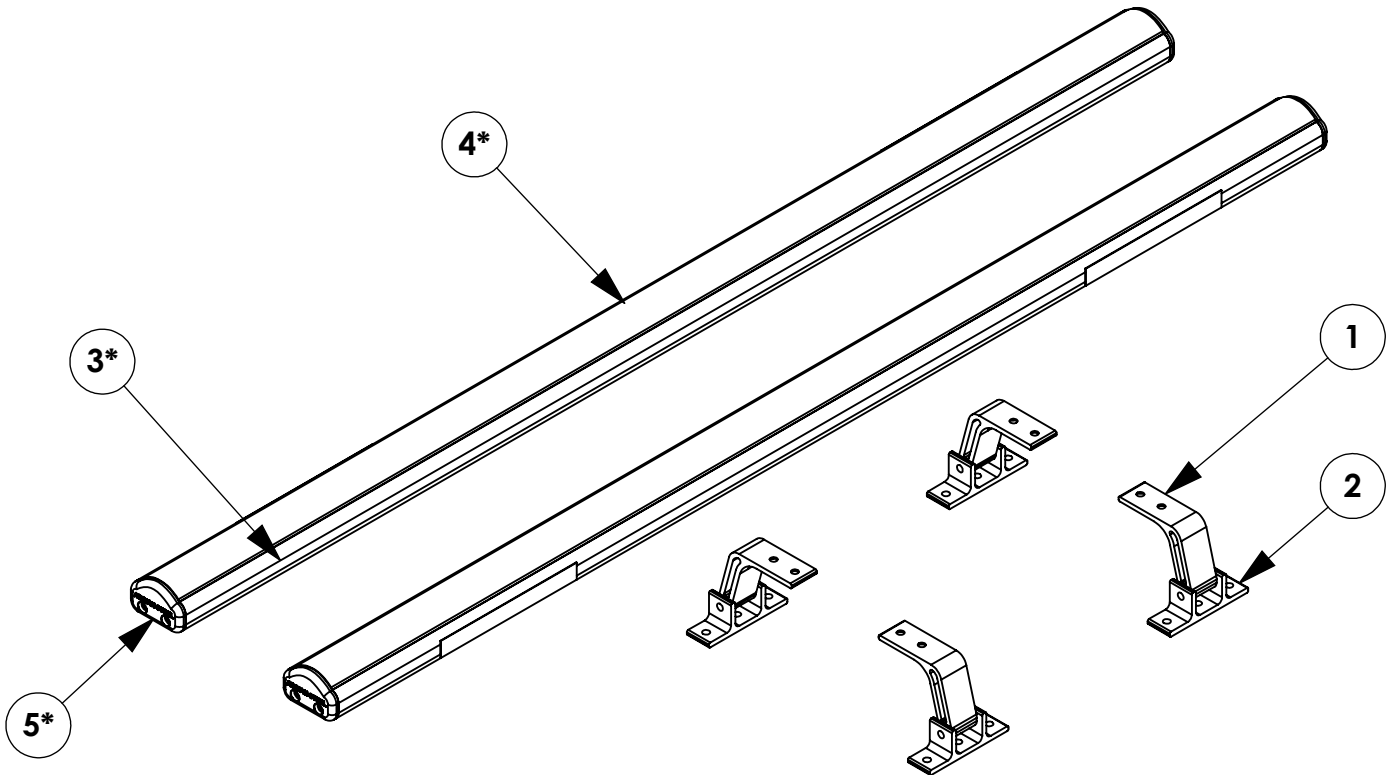
INSTR. NUMBER	PG.	REV.	ITEM NO.	PART NUMBER	DESCRIPTION	QTY.
: 68558	1	A	1	68202-W	PROFILE, MOUNTING ARM, W	4
			2	63852-W	UTILITY, MOUNTING BRKT, W	4
PART NUMBER : CRMBK4W			3*	63915-W	UTILITY, CROSSBOW, 58", WHITE	2
			4*	63914	UTILITY, WEAR STRIP, 58"	2
PART : DESC. : COMPCT,MNT BKT KT,RAIL,4W			5*	63851	UTILITY RCK,END CAP,BLACK	4

ITEMS NOTED (#*) ARE PART OF: 2BARCW

NOTE: THIS INSTRUCTION IS VALID FOR THE FOLLOWING KITS:

- MOUNTING KITS**
- URMBK4W (SHOWN)
 - URMBK4B
 - URMBK2W
 - URMBK2B

- CROSSBOW KITS**
- 2BARCW (SHOWN) -1BARCW
 - 2BARCB -1BARCB
 - 2BARTOPW -1BARTOPW
 - 2BARTOPB -1BARTOPB
 - 2BARW -1BARW
 - 2BARB -1BARB



GET TO KNOW THE VEHICLE - AT THE BEGINNING OF ANY INSTALLATION, CHECK THE LOCATION OF THE FUEL TANK, FUEL LINES, BRAKE LINES, HIGH VOLTAGE BATTERIES AND WIRING HARNESSSES TO AVOID INJURY OR PROPERTY DAMAGE FROM TOOL CONTACT.

SEAL ALL EXTERIOR HOLES - ALL INSTALLATION HOLES SHOULD BE SEALED WITH BUTYL TAPE OR SILICON TO PREVENT WATER AND EXHAUST GASES FROM ENTERING THE VEHICLE.

CONTROL DRILL DEPTH - TO AVOID DAMAGE TO THE VEHICLE, USE A DRILL STOP OR CLEARED STEP BIT WHEN DRILLING INSTALLATION HOLES.

ALWAYS ADD PRIMER - WHEN ADDING INSTALLATION HOLES BE SURE TO USE A SELF-ETCHING PRIMER TO PREVENT CORROSION, FASTENER FAILURE AND INJURY.

MOUNTING POINTS MUST HAVE METAL-TO-METAL CONTACT - USE PROVIDED MOUNTING SPACERS TO ACCOMMODATE FOR VEHICLE FEATURES, CARPET OR SUBFLOORS.

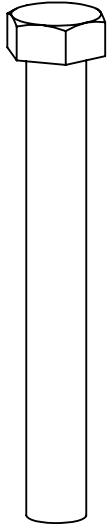
PROVIDE CLEARANCE FOR SPACERS - IF THE INSTALLATION VEHICLE CONTAINS A CARPET OR SUBFLOOR, USE A 1-3/16" DIAMETER CARPET CUTTER (P/N: 31183-0) AT ALL MOUNTING LOCATIONS TO OPEN UP ROOM FOR SPACERS.

CHECK SPACER ORIENTATION - BE SURE THAT THE INDENT IN THE SPACER COVERS THE PLUSNUT HEAD; THIS ENSURES THE MOST METAL-TO-METAL CONTACT AND REDUCES VIBRATION.

PLUSNUT INSTALLATION - A PLUSNUT GUN IS RECOMMENDED FOR PLUSNUT INSTALLATION FOR ITS PRODUCTION SPEED. HOWEVER, A PLUSNUT SETTING TOOL CAN ALSO BE USED (P/N: 22200-0).

THRU-BOLT CLEARANCE - WHEN USING A THRU-BOLT AT ANY MOUNTING LOCATION, BE SURE THAT YOUR HOLE HAS 1/16" CLEARANCE.

FASTENERS USED



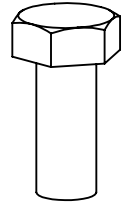
FAS0243
5/16-18 X 2.5 SS
HH SCREW
QTY: 4



FAS0552
5/16 SS
FLAT WASHER
QTY: 12



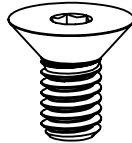
FAS0588
5/16 SS
SPLIT WASHER
QTY: 8



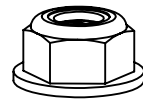
FAS0799
5/16-18 X .75 SS
HH SCREW
QTY: 8



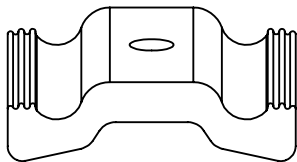
FAS0857
5/16 SS
CS EXT LCK WASHER
QTY: 8



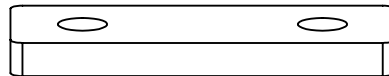
FAS0858
5/16-18 X .625 SS
FHH CS SCREW
QTY: 8



FAS0861
5/16-18 SS
NLK HFLNG NUT
QTY: 4



35335-0
1.5" AD RAIL
QTY: 8

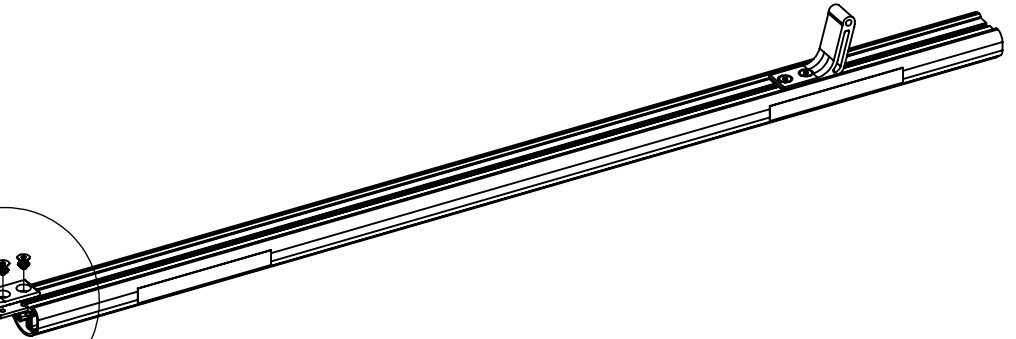
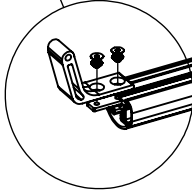
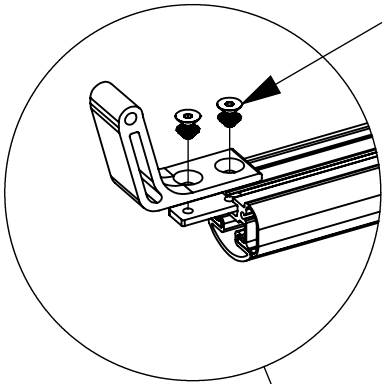


68042
PROFILE FOOT MTG PLATE
QTY: 4

BEGIN ASSEMBLY

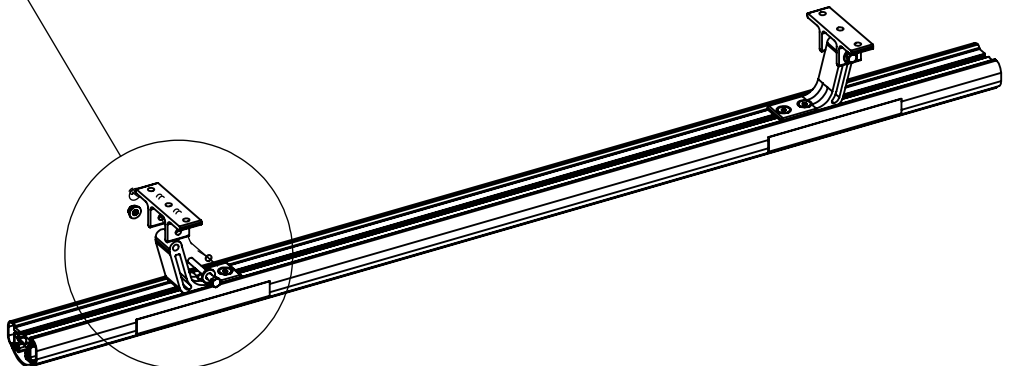
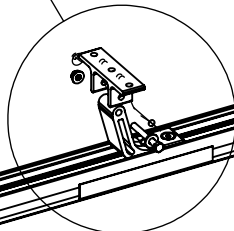
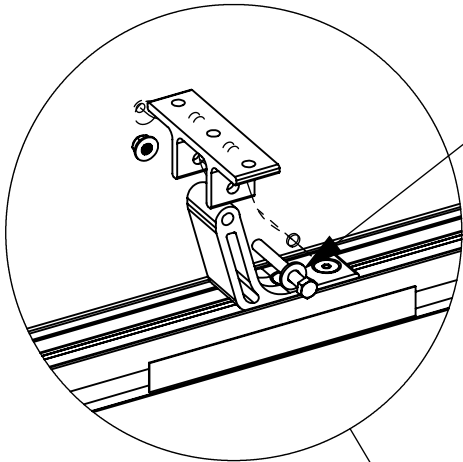
STEP 1 - ASSEMBLE MOUNTING ARMS TO CROSSBOW

(2) FAS0857, (2) FAS0858
68042
(2 PLACES PER CROSSBOW)
LOOSE INSTALL



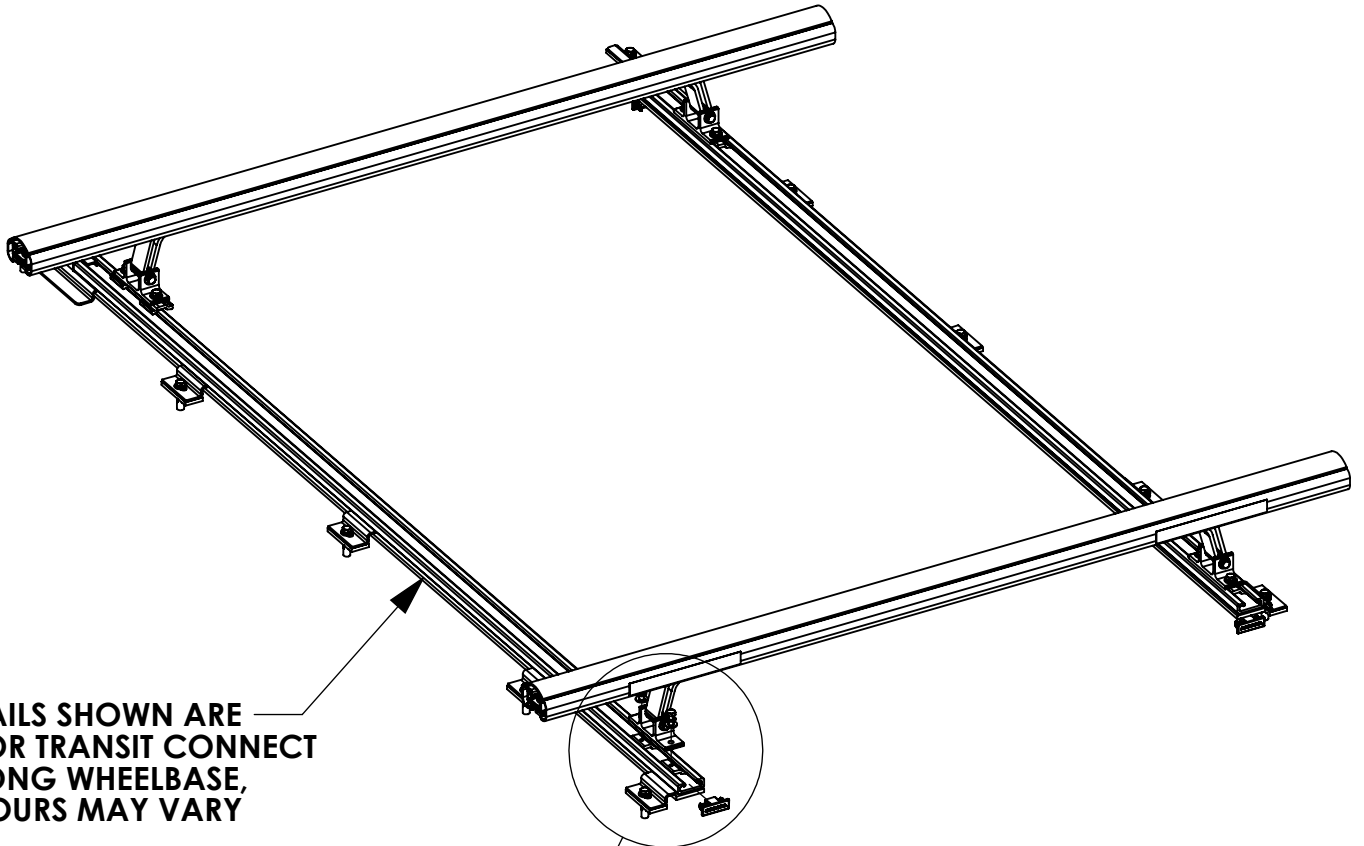
STEP 2 - ASSEMBLE MOUNTING BRACKETS TO MOUNTING ARMS

FAS0243, FAS0552, FAS0861
(2 PLACES PER CROSSBOW)
LOOSE INSTALL



BEGIN INSTALLATION

STEP 3 - INSTALL MOUNTING BRACKET TO RAIL



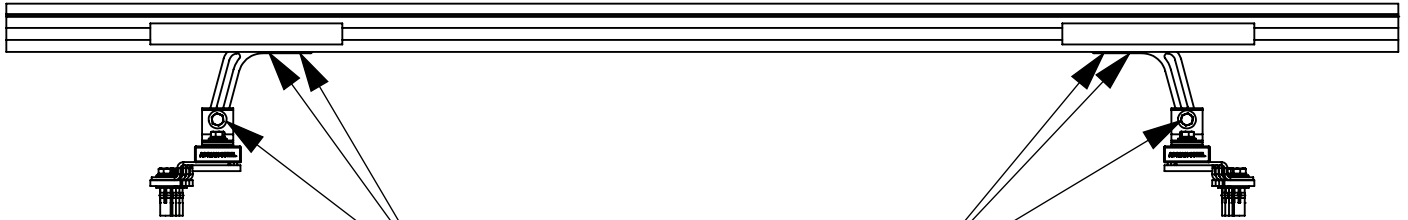
RAILS SHOWN ARE FOR TRANSIT CONNECT LONG WHEELBASE, YOURS MAY VARY

FAS0799, FAS0588, FAS0552, 35335-0 (4 PLACES PER CROSSBOW) 1/2 SOCKET

AFTER MOUNTING BRACKET KIT IS IN, ADD END CAP TO RAIL

DISTANCE OFF OF THE REAR IS PROVIDED IN YOUR SPECIFIC ACCESSORY INSTALLATION INSTRUCTIONS.

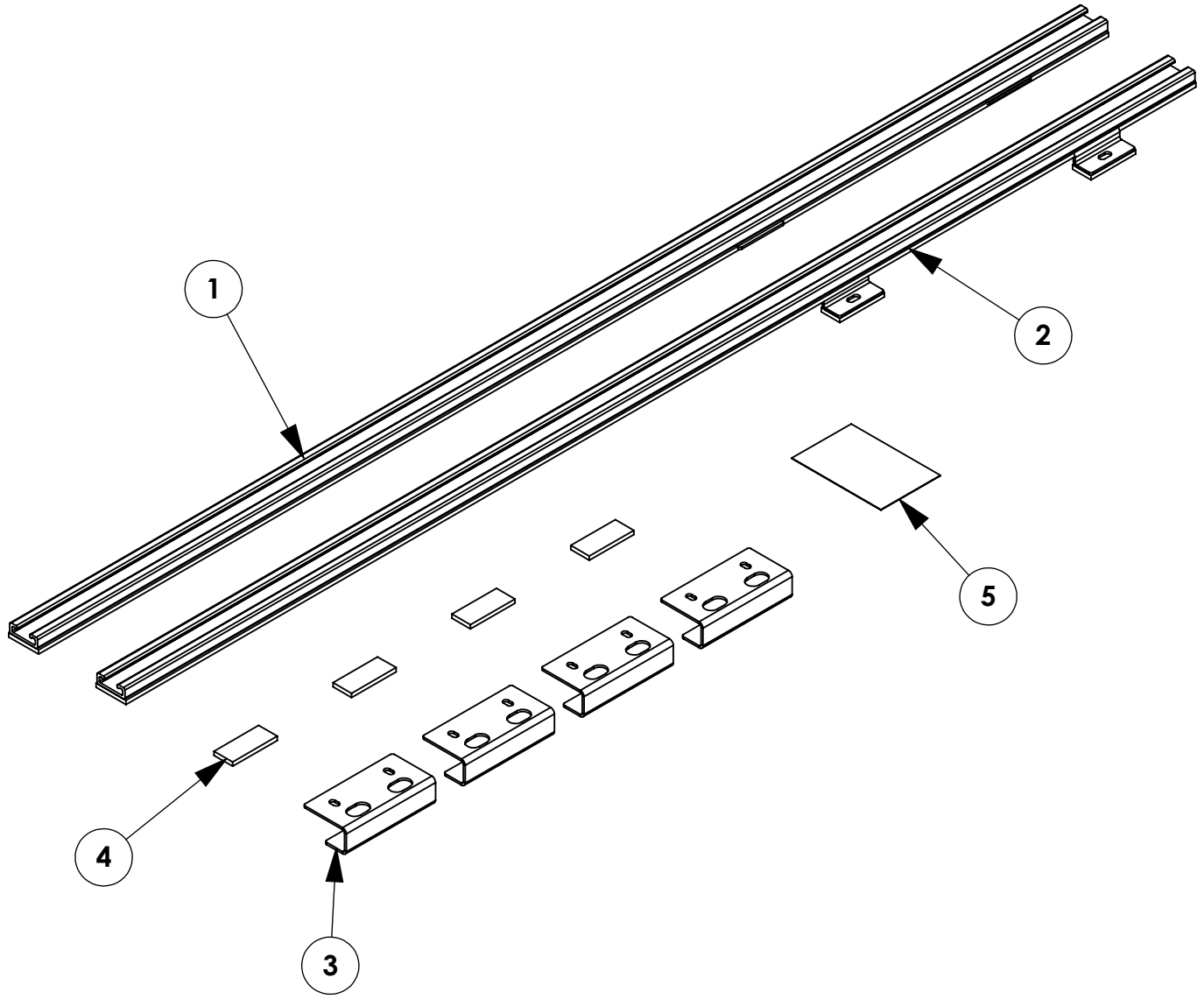
STEP 4 - CENTER CROSSBOW AND SECURE



**CENTER CROSSBOW AND
SECURE MOUNTING BRACKETS
(6 PLACES PER CROSSBOW)**

- 1/2 SOCKET**
- 1/2 WRENCH**
- 5/32 ALLEN**

INSTR. NUMBER : 70738	PG: 1	REV: A	ITEM NO.	PART NUMBER	DESCRIPTION	QTY.
PART NUMBER : RRKTCS			1	70734	ROOF RAIL, TCS, PS, W/ FOAM	1
			2	70736	ROOF RAIL, TCS, DS, W/ FOAM	1
PART DESC. : ROOF RAIL KIT, TCS			3	70737	ROOF RAIL MTG, TCS	4
			4	45265	GASKET, FOOT, TC	4
			5	BAGRRTCS	FAS BAG, RRKTCL	1



- TOOLS NEEDED:**
- 1/2" SOCKET
 - 1/2" WRENCH
 - DRIVE RATCHET
 - RUBBER MALLET
 - IMPACT DRIVER
 - PLUSNUT GUN

GET TO KNOW THE VEHICLE - AT THE BEGINNING OF ANY INSTALLATION, CHECK THE LOCATION OF THE FUEL TANK, FUEL LINES, BRAKE LINES, HIGH VOLTAGE BATTERIES AND WIRING HARNESSSES TO AVOID INJURY OR PROPERTY DAMAGE FROM TOOL CONTACT.

SEAL ALL EXTERIOR HOLES - ALL INSTALLATION HOLES SHOULD BE SEALED WITH BUTYL TAPE OR SILICON TO PREVENT WATER AND EXHAUST GASES FROM ENTERING THE VEHICLE.

CONTROL DRILL DEPTH - TO AVOID DAMAGE TO THE VEHICLE, USE A DRILL STOP OR CLEARED STEP BIT WHEN DRILLING INSTALLATION HOLES.

ALWAYS ADD PRIMER - WHEN ADDING INSTALLATION HOLES BE SURE TO USE A SELF-ETCHING PRIMER TO PREVENT CORROSION, FASTENER FAILURE AND INJURY.

MOUNTING POINTS MUST HAVE METAL-TO-METAL CONTACT - USE PROVIDED MOUNTING SPACERS TO ACCOMMODATE FOR VEHICLE FEATURES, CARPET OR SUBFLOORS.

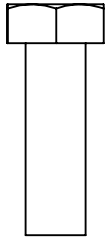
PROVIDE CLEARANCE FOR SPACERS - IF THE INSTALLATION VEHICLE CONTAINS A CARPET OR SUBFLOOR, USE A 1-3/16" DIAMETER CARPET CUTTER (P/N: 31183-0) AT ALL MOUNTING LOCATIONS TO OPEN UP ROOM FOR SPACERS.

CHECK SPACER ORIENTATION - BE SURE THAT THE INDENT IN THE SPACER COVERS THE PLUSNUT HEAD; THIS ENSURES THE MOST METAL-TO-METAL CONTACT AND REDUCES VIBRATION.

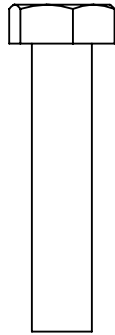
PLUSNUT INSTALLATION - A PLUSNUT GUN IS RECOMMENDED FOR PLUSNUT INSTALLATION FOR ITS PRODUCTION SPEED. HOWEVER, A PLUSNUT SETTING TOOL CAN ALSO BE USED (P/N: 22200-0).

THRU-BOLT CLEARANCE - WHEN USING A THRU-BOLT AT ANY MOUNTING LOCATION, BE SURE THAT YOUR HOLE HAS 1/16" CLEARANCE.

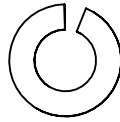
FASTENERS USED



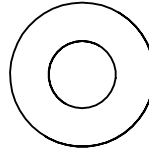
FAS0597
5/16-18 X 1
SS HH SCREW
QTY:4



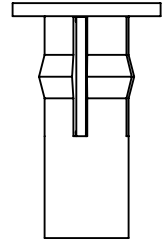
FAS0242
5/16-18 X 1.5 SS
HH SCREW
QTY:8



FAS0588
5/16 SS
SPL WASHER
QTY:12



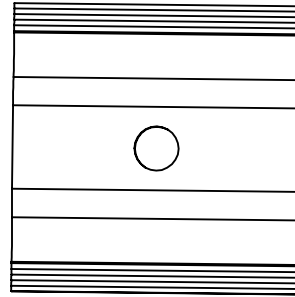
FAS0552
5/16 SS
FLAT WASHER
QTY:12



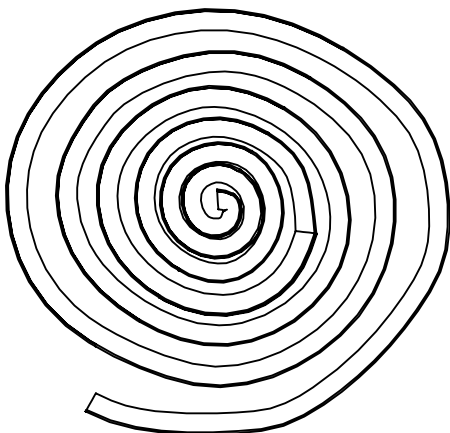
FAS0091
5/16-18 PB
PLUSNUT
QTY:8



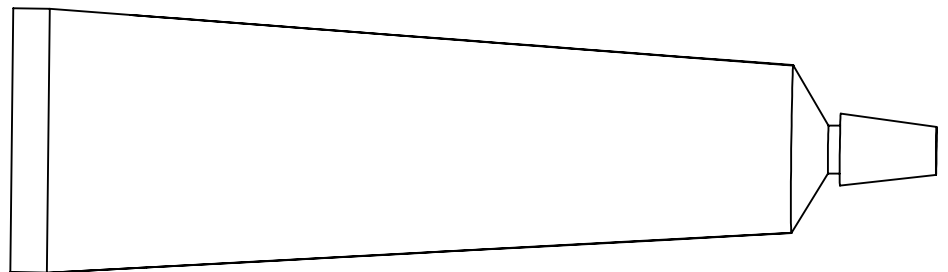
36496-0
END CAP
RAIL EXT #2
QTY:4



35335-0
SLIDE, 1.5"
AD RAIL
QTY:4



05586-0
BUTYL TAPE
QTY:1

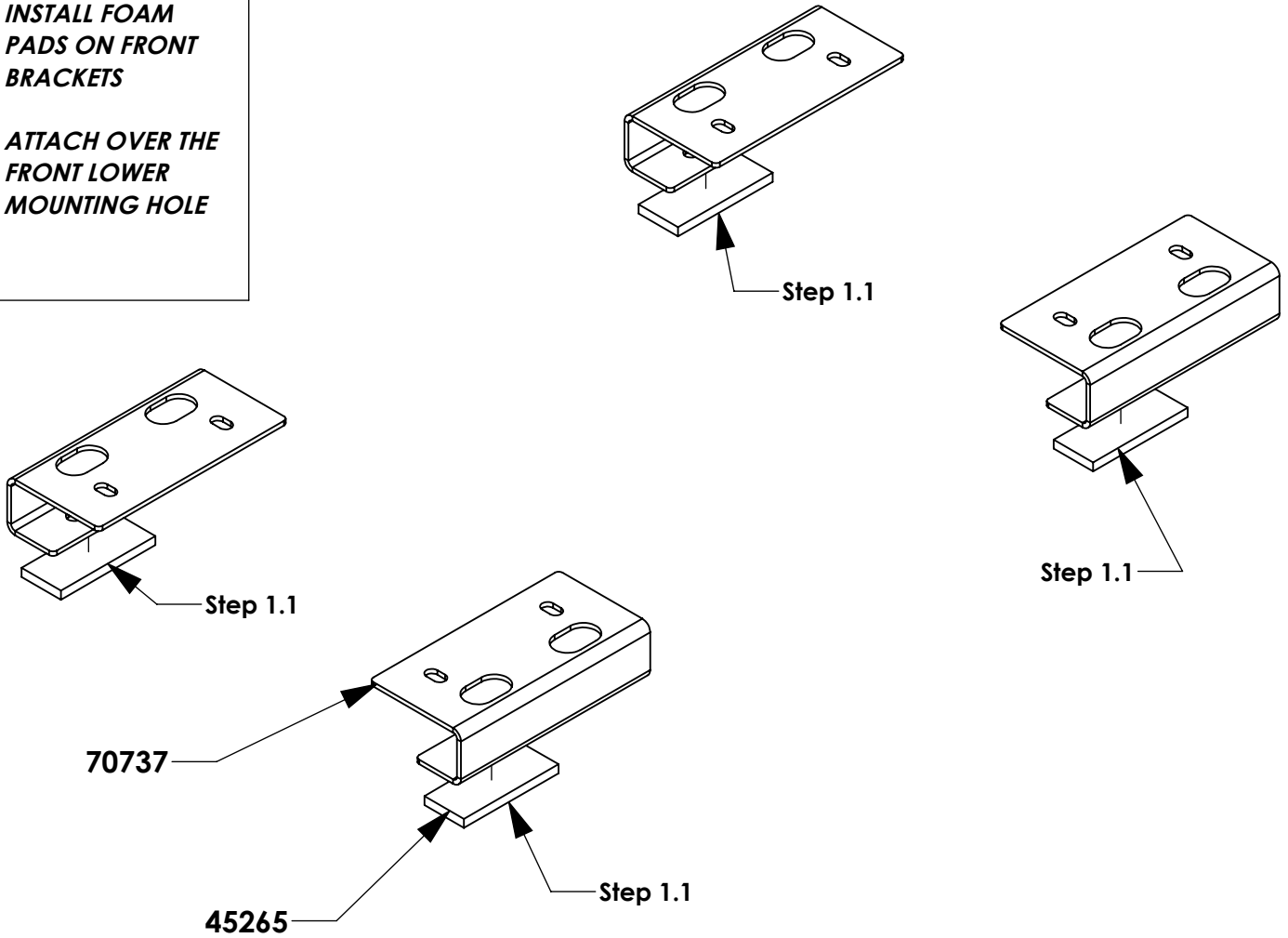


266186-0
SILICONE
SEALANT
QTY:1

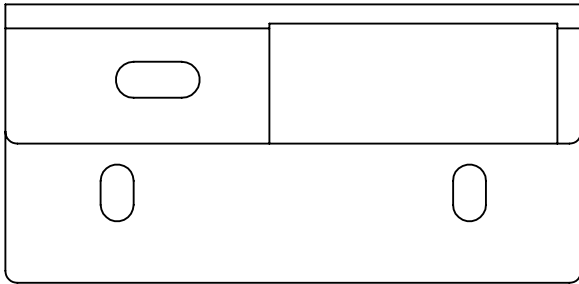
STEP 1 - INSTALL FOAM ON FRONT BRACKETS

**STEP 1.1
INSTALL FOAM
PADS ON FRONT
BRACKETS**

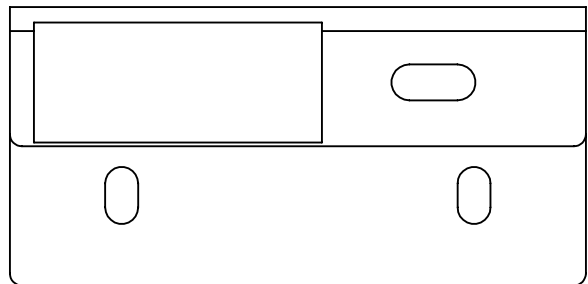
**ATTACH OVER THE
FRONT LOWER
MOUNTING HOLE**



NOTE ORIENTATION:
ATTACH PAD OVER FRONT LOWER MOUNTING HOLE



PASSENGER SIDE

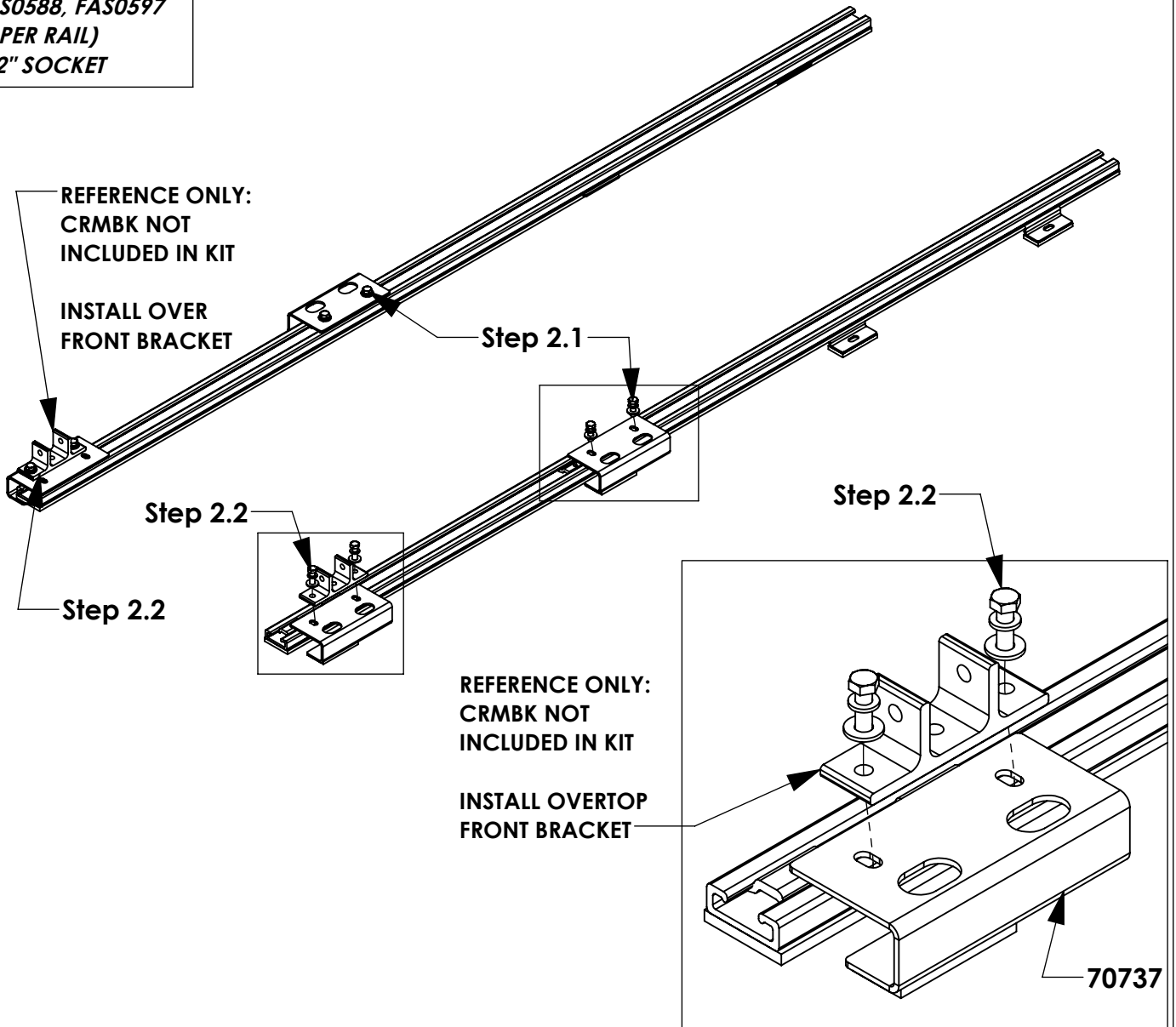
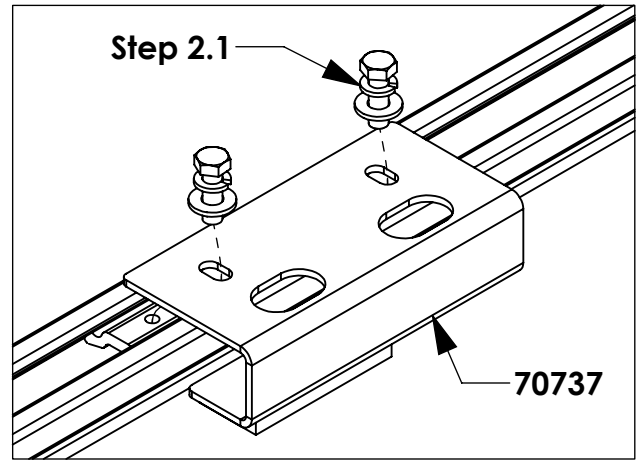


DRIVER SIDE

STEP 2 - LOOSE INSTALL BRACKET ON ROOF RAILS

STEP 2.1
LOOSELY
ASSEMBLE MIDDLE
FRONT BRACKET
UNTIL AFTER STEP 5
35335-0, FAS0552,
FAS0588, FAS0597
(2 PER RAIL)
1/2" SOCKET

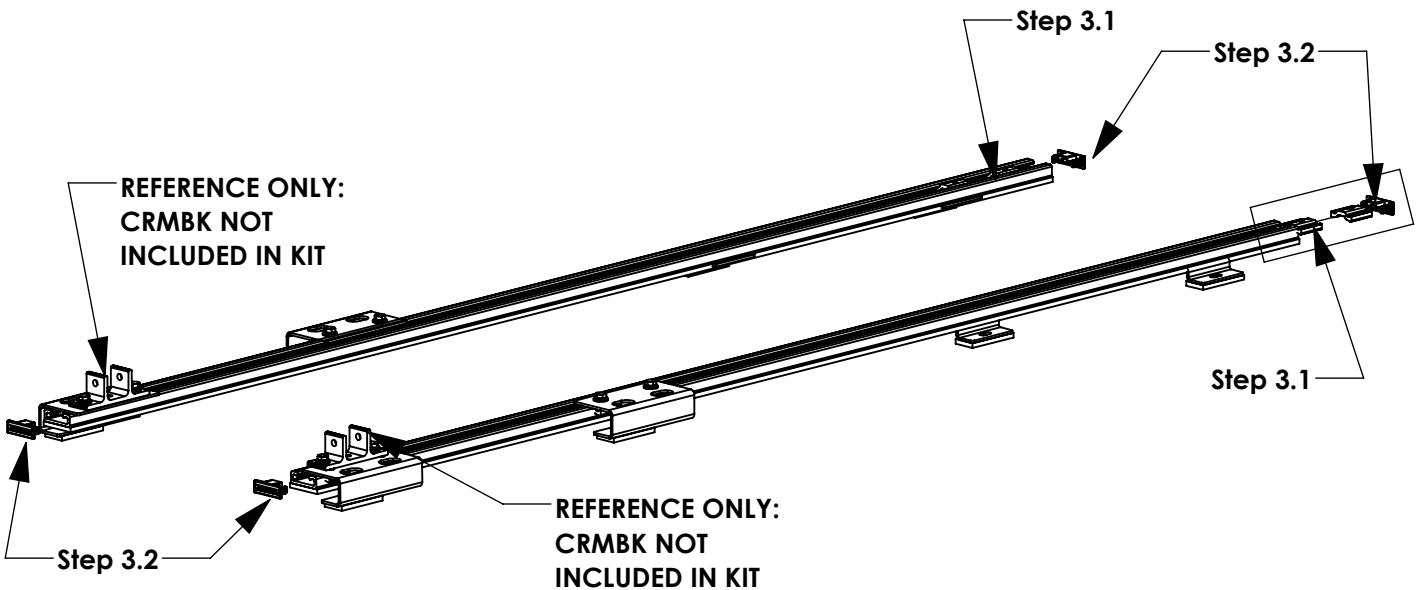
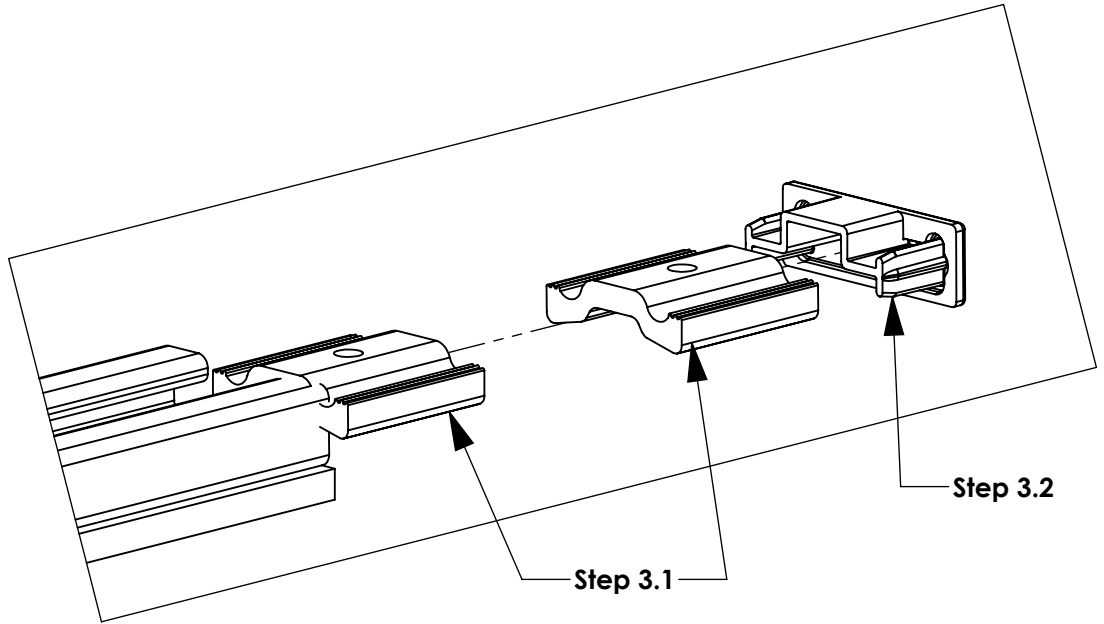
STEP 2.2
LOOSELY
ASSEMBLE FRONT
BRACKET UNTIL
AFTER STEP 5
35335-0, FAS0552,
FAS0588, FAS0597
(2 PER RAIL)
1/2" SOCKET



STEP 3 - ADD CRMBK SLIDES AND RAIL END CAPS

STEP 3.1
ADD CRMBK SLIDES
35335-0
2 SLIDES PER END
RAIL

STEP 3.2
INSTALL RAIL END
CAPS ONTO RAIL
ENDS
(2 PLACES PER
RAIL)
RUBBER MALLET



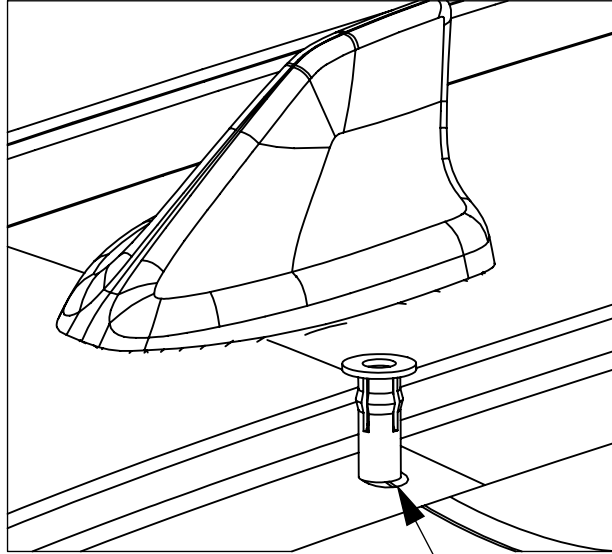
STEP 4 - SET PLUSNUTS IN ROOF

**STEP 4.1
REMOVE OEM
PLASTIC PLUGS
FROM ALL 8
LOCATIONS**

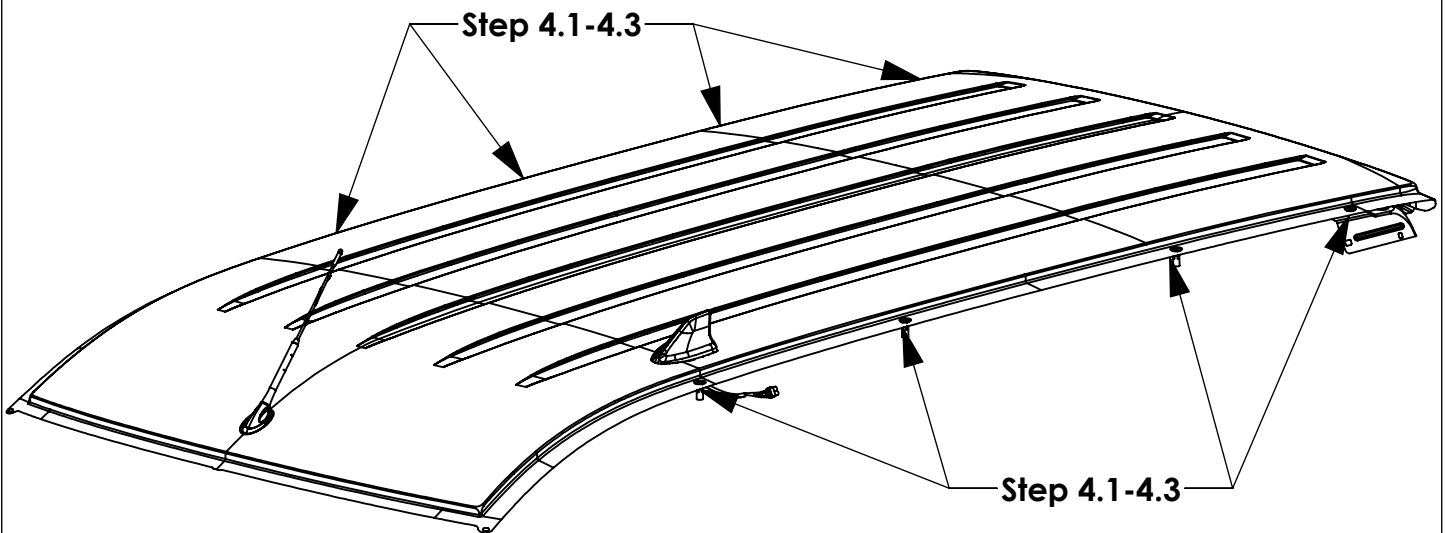
**STEP 4.2
CHECK FOR CLEAR
DRILL PATH BELOW
(WIRING ,
AIRBAGS, ETC.)**

**STEP 4.3
APPLY PRIMER TO
HOLE EDGES**

**STEP 4.4
APPLY BUTYL TAPE
TO PLUSNUTS & SET
IN ROOF
FAS0091
(8 LOCATIONS)
PLUSNUT GUN**



Step 4.4



Step 4.1-4.3

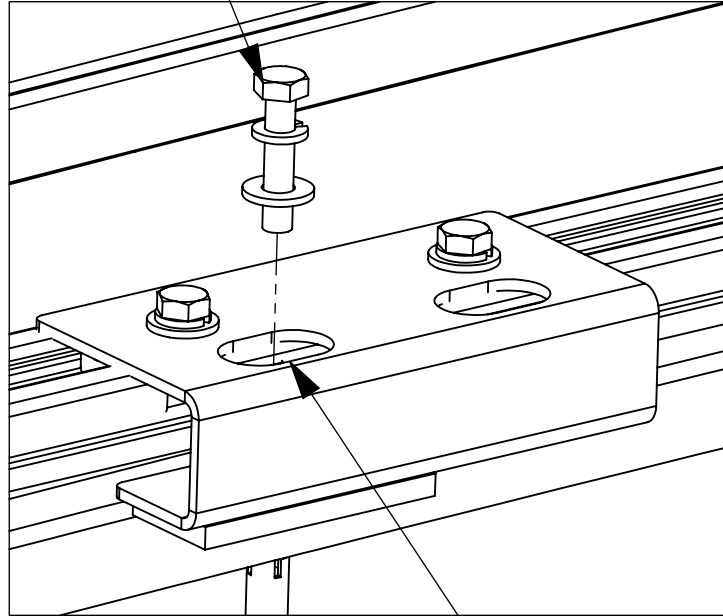
STEP 5 - ATTACH RAILS TO ROOF

STEP 5.1
ATTACH RAILS TO
ROOF
FAS0552, FAS0588,
FAS0242

USE SILICONE ON
BOTTOM THREADS
(4 PER RAIL)
1/2" SOCKET

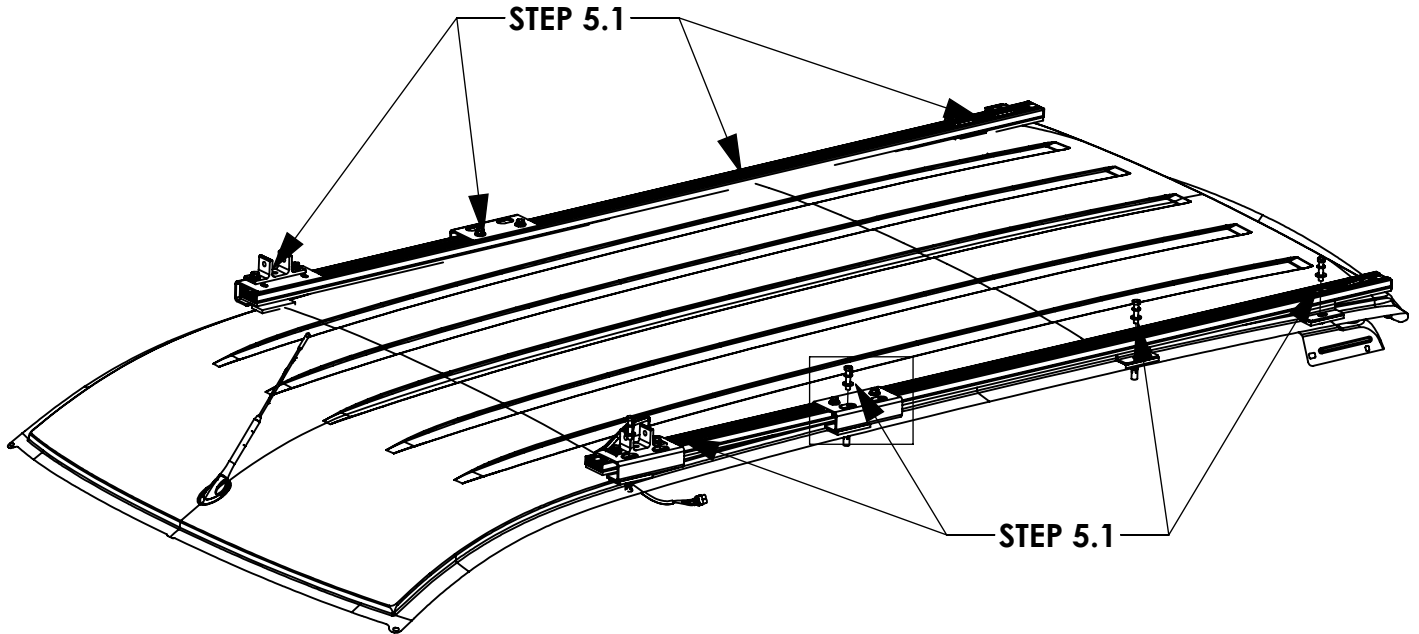
MOUNT TO
PLUSNUTS SET IN
LAST STEP

STEP 5.1



USE FRONT CLEARANCE HOLE ON ADD-ON BRACKETS

STEP 5.1

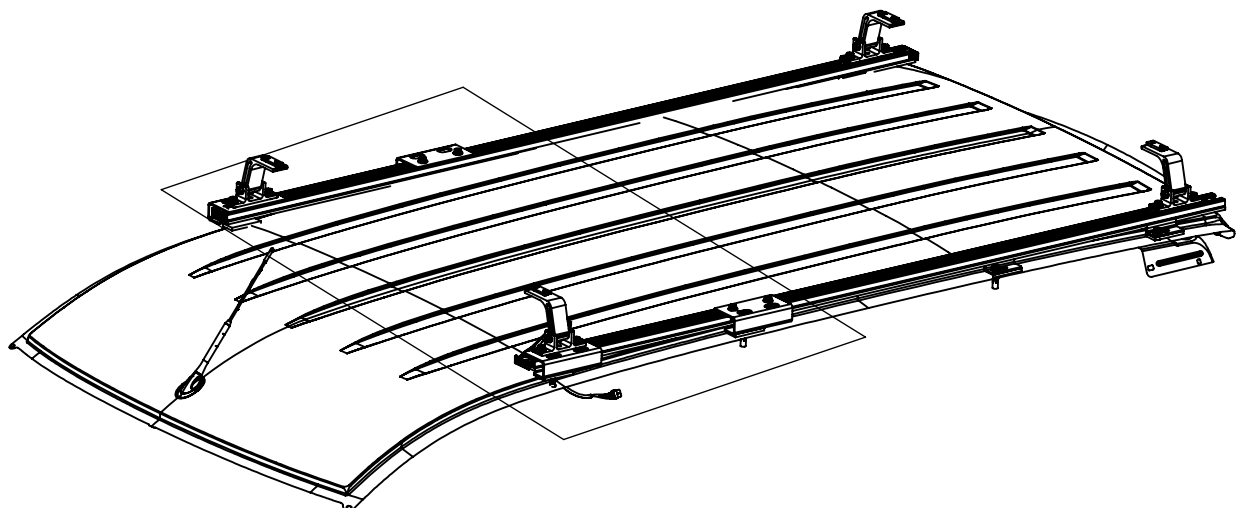
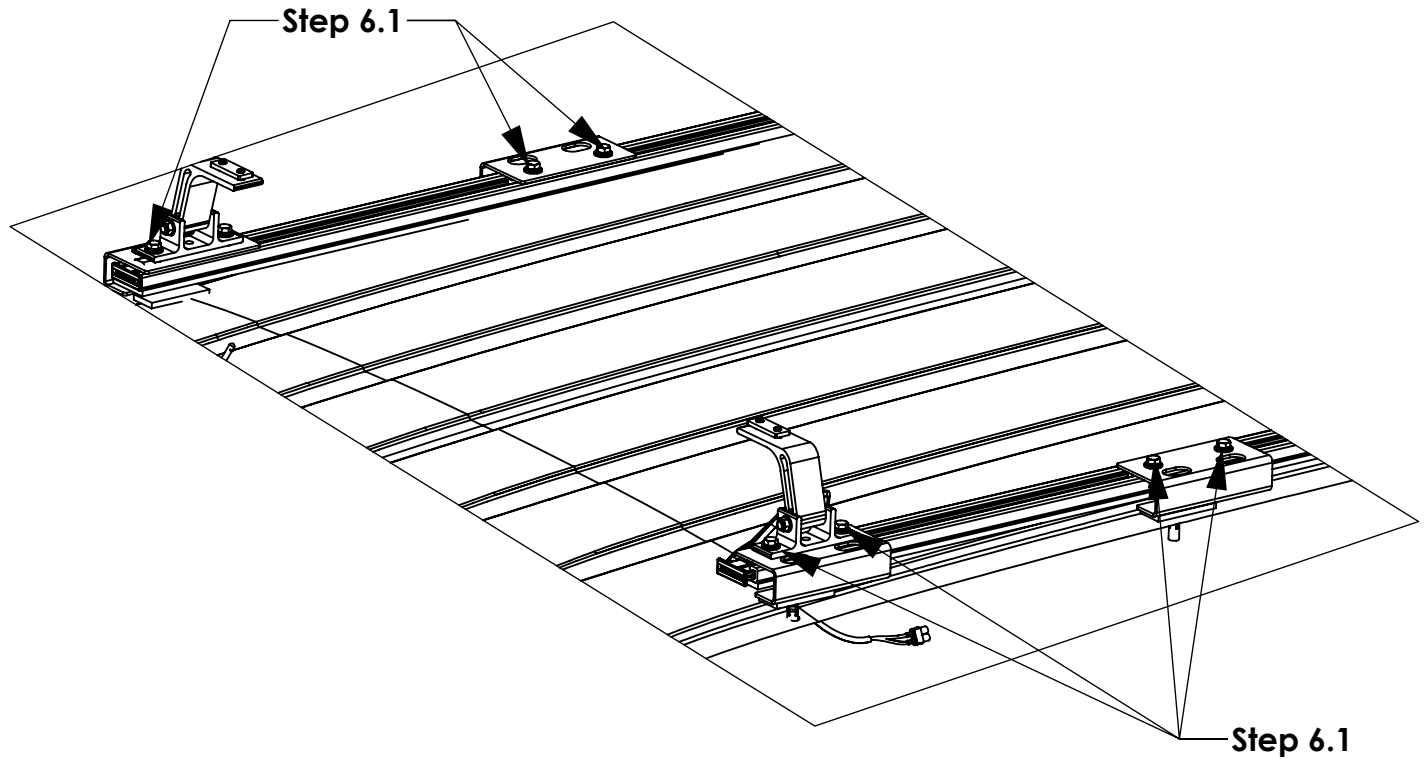


STEP 5.1

STEP 6 - TIGHTEN DOWN BRACKETS

STEP 6.1

FULLY TIGHTEN
FASTENERS FROM
STEP 2
(2 PER RAIL)
1/2" SOCKET



MAKE SURE ALL FASTENERS ARE TIGHTENED!!! INSTALLATION IS COMPLETE



2-Crossbar Kit, 48", White, Multiple Pickups



PRODUCT WEIGHT
13.4 LBS

CROSSBOW LENGTH X
HEIGHT

49" x 2"

CAPACITY

**REFER TO OEM'S
RECOMMENDED LOAD
RATING**

COLOR

WHITE

CATALOG NUMBER

2BARTOPW

PRODUCT FEATURES

Aluminum base 2-crossbow kit for PROFILE™ HD Utility, Grip-Lock, ProLift, or combo ladder racks. Works with all ARE and Leer toppers for all cab styles and bed lengths. Works with and without OEM specific rail kit and generic mounting bracket kits.

Additional crossbows and optional uprights, conduit kits, and rear rollers available.

Utility and grip lock ladder racks are not recommended for medium and high roof vehicles!

Please refer to OEM specific mounting kit or rail kit for additional information on compatible accessories.

INSTALLATION GUIDE FOR PROFILE™ SERIES LADDER RACKS

INSTRUCTION #:
68895

REV:
B

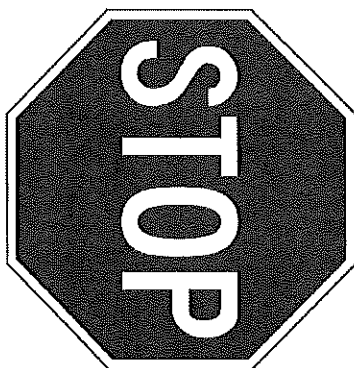
THIS INSTRUCTION PROVIDES A GENERAL GUIDE OF INSTALLATION SEQUENCE FOR ALL PROFILE™ SERIES LADDER RACKS. PLEASE ENSURE ALL ACCESSORIES ARE INSTALLED PER TYPE OF RACK BEFORE PROCEEDING TO NEXT PAGE.

REFERENCE THIS INSTRUCTION THROUGHOUT THE ENTIRETY OF YOUR INSTALL TO PREVENT ACCESSORIES BEING INSTALLED INCORRECTLY/OUT OF SEQUENCE!

STEPS 21 - 81 ON PAGE 3 IS THE RECOMMENDED ASSEMBLY SEQUENCE FOR A FULL TABLE ASSEMBLY BEFORE INSTALLING ON THE ROOF OF THE VEHICLE.

STEPS 2R - 8R ON PAGE 4 IS AN ALTERNATE ASSEMBLY SEQUENCE TO INSTALL THE RACK ON THE VEHICLE ROOF AS IT IS BUILT.

PLEASE SELECT THE ASSEMBLY SEQUENCE THAT BEST WORKS FOR YOU!

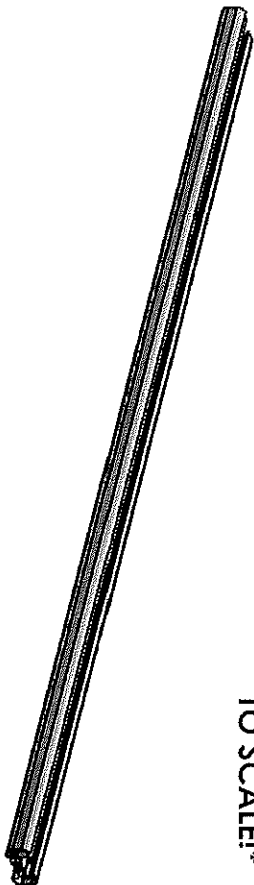


ASSEMBLY STEPS:

STEP 1A. SUB-ASSEMBLE EACH CROSSBOW WITH DESIRED ACCESSORIES FOR SECTIONS A.1 & A.2.

INSTRUCTIONS FOR EACH KIT CAN BE FOUND IN THEIR RESPECTIVE CARTON!

TOP OF CROSSBOW *IMAGE NOT TO SCALE!



BOTTOM OF CROSSBOW

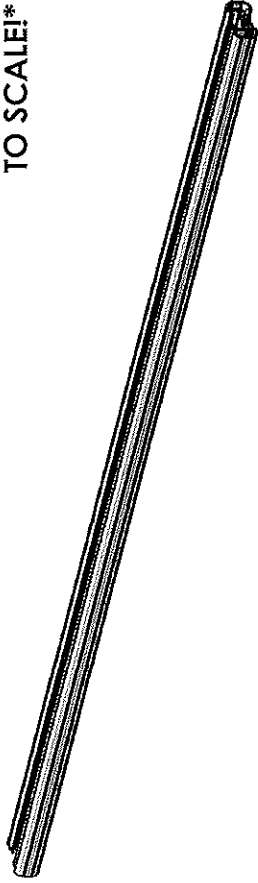
TABLE 1

TOP OF CROSSBOW		COMPONENTS TO INSTALL
HD UTILITY		- CONDUIT KIT OR BEACON
Grip-Lock		- CONDUIT KIT OR BEACON
ProLift		- CONDUIT KIT OR BEACON
BOTTOM OF CROSSBOW		
COMPONENTS TO INSTALL		
HD UTILITY		- LADDER STOP, STROBE BRACKET, AND/OR REAR ROLLER
Grip-Lock		- Grip-Lock SUB-ASSEMBLY
ProLift		- DAMPER BRACKET

STEP 1B. SUB-ASSEMBLE EACH CROSSBOW WITH DESIRED ACCESSORIES FOR SECTIONS B.1 & B.2. INSTRUCTIONS FOR EACH KIT CAN BE FOUND IN THEIR RESPECTIVE CARTON!

TOP OF CROSSBOW

IMAGE NOT TO SCALE!



BOTTOM OF CROSSBOW

TABLE 2

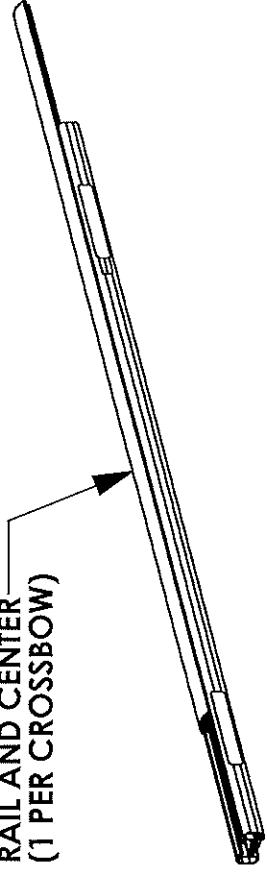
TOP OF CROSSBOW	
	COMPONENTS TO INSTALL
HD UTILITY	- WEAR STRIP (MODIFY IF NECESSARY, TABLE 3)
Grip-Lock	- WEAR STRIP (MODIFY IF NECESSARY, TABLE 3)
ProLift	- INNER STOP POST
BOTTOM OF CROSSBOW	
	COMPONENTS TO INSTALL
HD UTILITY	- MOUNTING BRACKETS
Grip-Lock	- MOUNTING BRACKETS
ProLift	- MOUNTING BRACKETS

ALTER WEAR STRIP AND INSTALL ON CROSSBOW (IF APPLICABLE)! REFERENCE TABLE 3 BELOW FOR WEAR STRIP ALTERATION INSTRUCTIONS!

TABLE 3

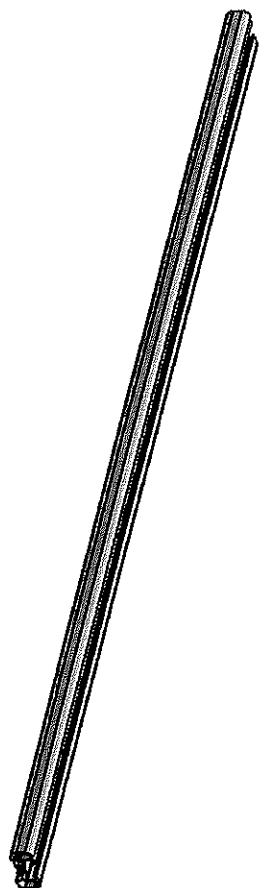
ADDED ACCESSORIES	ALTERATION FOR WEAR STRIP
4" UPRIGHT***	REMOVE 2" FROM END OF WEAR STRIP
4" PVC CONDUIT KIT	REMOVE 7.25" FROM CENTER OF WEAR STRIP
6" PVC CONDUIT KIT	REMOVE 9.50" FROM CENTER OF WEAR STRIP
ALUMINUM BOX CONDUIT KIT	REMOVE 13.25" FROM CENTER OF WEAR STRIP
BEACON	REMOVE 4" FROM CENTER OF WEAR STRIP
ProLift (SINGLE SIDE)	CUT WEAR STRIP IN HALF, DO NOT INSTALL ON ProLift SIDE
ProLift (DUAL SIDE)	DO NOT INSTALL WEAR STRIP

SLIDE WEAR STRIP INTO RAIL AND CENTER (1 PER CROSSBOW)



STEP 1C SUB-ASSEMBLE EACH CROSSBOW WITH DESIRED ACCESSORIES FOR SECTIONS C.1 & C.2

TOP OF CROSSBOW
IMAGE NOT TO SCALE!



BOTTOM OF CROSSBOW

TABLE 4

TOP OF CROSSBOW COMPONENTS TO INSTALL	
HD UTILITY	- 4" UPRIGHT
Grip-Lock	- N/A
Prolift	- SLIDES FOR BASE EXTRUSION
BOTTOM OF CROSSBOW COMPONENTS TO INSTALL	
HD UTILITY	- UPRIGHTS (6", 9", RATCHET)
Grip-Lock	- STROBES
Prolift	- STROBES

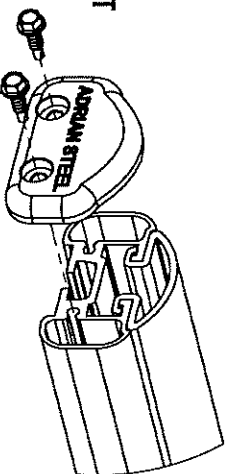
ASSEMBLY STEPS (FULL BENCH ASSEMBLY):

- 2T. ADD DRIVELINES (IF INSTALLING Prolift)
- 3T. ADD HANDLES (IF INSTALLING Grip-Lock OR Prolift) AND DAMPERS (IF INSTALLING Prolift)
- 4T. ADD OUTER SUPPORT BARS (IF INSTALLING Grip-Lock OR Prolift)
- 5T. ADD STEP LADDER KIT (Grip-Lock OR Prolift ONLY)

6T. ASSEMBLE ENDS CAPS TO CROSSBOW

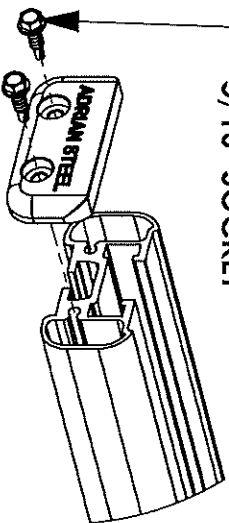
USED FOR HD UTILITY & Grip-Lock RACKS

LOCATED IN CROSSBOW KIT



FULLY TIGHTEN
(2) FAS0473, 63851
(2 PLACES PER END CAP)
5/16" SOCKET

USED FOR Prolift RACKS
LOCATED IN Prolift Kit



7T. INSTALL ROOF RAIL KIT ON VEHICLE ROOF OR BOTTOM MOUNTING BRACKETS

(ROOF RAIL KIT REQUIRED FOR Grip-Lock & Prolift OPTIONAL FOR HD UTILITY, NOT NEEDED FOR GM LADDER RACKS)

8T. MOUNT CROSSBOW SUB-ASSEMBLIES FROM STEP 1 TO VEHICLE/MOUNTING BRACKET, OR ROOF RAIL (LOOSE INSTALL)

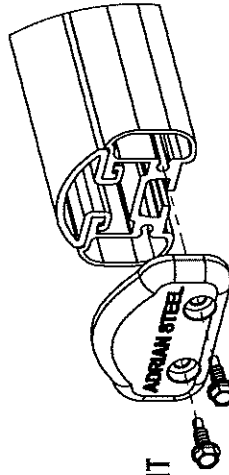
ALTERNATE ASSEMBLY METHOD!
(ASSEMBLE ON VEHICLE ROOF):

- 2R. INSTALL ROOF RAIL KIT ON VEHICLE ROOF OR BOTTOM MOUNTING BRACKETS
(ROOF RAIL KIT REQUIRED FOR Grip-Lock & ProLift, OPTIONAL FOR HD UTILITY, NOT NEEDED FOR GM LADDER RACKS)
- 3R. MOUNT CROSSBOW SUB-ASSEMBLIES FROM STEP 1 TO VEHICLE/MOUNTING BRACKET, OR ROOF RAIL (LOOSE INSTALL)
- 4R. ADD DRIVELINES (IF INSTALLING ProLift)
- 5R. ADD HANDLES (IF INSTALLING Grip-Lock OR ProLift) AND DAMPERS (IF INSTALLING ProLift)
- 6R. ADD OUTER SUPPORT BARS (IF INSTALLING Grip-Lock OR ProLift)
- 7R. ADD STEP LADDER KIT (Grip-Lock OR ProLift ONLY!)

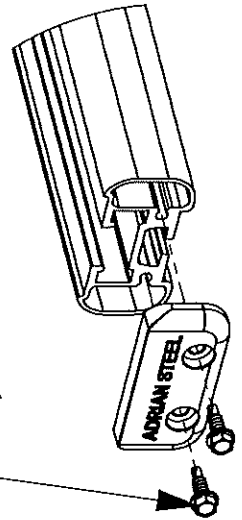
8R. ASSEMBLE END CAPS TO CROSSBOW

USED FOR HD UTILITY & Grip-Lock RACKS

LOCATED IN CROSSBOW KIT



FULLY TIGHTEN
(2) FAS0473, 63851
(2 PLACES PER END CAP)
5/16" SOCKET



USED FOR ProLift RACKS
LOCATED IN ProLift Kit