



Mounting Roof Rail Kit, 74", Multiple Pickups

PRODUCT WEIGHT

11.87 LBS

HEIGHT OFF ROOF

SEE TABLE BELOW

CAPACITY

500 LBS

COLOR

RAW

CATALOG NUMBER

RRKTOP74



PRODUCT FEATURES

Aluminum roof rail mounting kit for the PROFILE™ HD Utility, Grip-Lock, ProLift (coming soon), and combo ladder racks for pickup trucks with toppers. Must be mounted to the topper's welded in reinforcement plates. Works for truck beds that are between 74 inches and 81 inches in length!

Rail kit validated on ARE toppers ONLY! LEER toppers are in process of validation. All other topper brands have not been validated.

For cab high or +3" toppers. Toppers taller than this may not allow for rack to span entire intended width.

SEE PAGE 2 FOR APPLICATION NOTES AND ACCESSORIES, OTHER PRODUCTS THAT WORK WITH THIS UNIT.

PAGE 1 of 3

The information contained in this document is the sole property of ADRIAN STEEL COMPANY. ADRIAN STEEL COMPANY retains the right to modify and/or change the product of its design at any time without prior notification.



CATALOG NUMBER RRKTOP74

ACCESSORIES THAT WILL WORK WITH THIS PRODUCT

CATALOG NUMBER	DESCRIPTION	CATALOG NUMBER	DESCRIPTION
White Kit Part Numbers		Black Kit Part Numbers	

Crossbow Kits

2BARCW	2-Crossbar Kit, 48", White, Minivan	2BARCB	2-Crossbar Kit, 48", Black, Minivan
1BARCW	Single Crossbar Kit, 48", White, Minivan	1BARCB	Single Crossbar Kit, 48", Black, Minivan

Mounting Bracket Kits

URMBK4W	Mounting Bracket Kit, 4-Pack, White, Multiple Vehicles	URMBK4B	Mounting Bracket Kit, 4-Pack, Black, Multiple Vehicles
URMBK2W	Mounting Bracket Kit, 2-Pack, White, Multiple Vehicles	URMBK2B	Mounting Bracket Kit, 2-Pack, Black, Multiple Vehicles

Ladder Stop & Upright Kits

ULSKB	Single Ladder Stop Kit, Black	ULSKAB	Single Ladder Stop Kit, Black
4UPK4B	4" Upright Kit, 4-Pack, Black	4UPK4AB	4" Upright Kit, 4-Pack, Black
4UPK2B	4" Upright Kit, 2-Pack, Black	4UPK2AB	4" Upright Kit, 2-Pack, Black
6UPK4B	6" Upright Kit, 4-Pack, Black	6UPK4AB	6" Upright Kit, 4-Pack, Black
6UPK2B	6" Upright Kit, 2-Pack, Black	6UPK2AB	6" Upright Kit, 2-Pack, Black
9UPK4B	9" Upright Kit, 4-Pack, Black	9UPK4AB	9" Upright Kit, 4-Pack, Black
9UPK2B	9" Upright Kit, 2-Pack, Black	9UPK2AB	9" Upright Kit, 2-Pack, Black
RSK1B	Single Ratchet Upright Kit, 9", Black	RSK1AB	Single Ratchet Upright Kit, 9", Black

Grip-Lock Kits

GL-CVPS	Passenger Side Grip-Lock Kit, White, Minivans	GL-CVPSB	Passenger Side Grip-Lock Kit, Black, Minivans
GL-CVDS	Driver Side Grip-Lock Kit, White, Minivans	GL-CVDSB	Driver Side Grip-Lock Kit, Black, Minivans

Continued on Page 3



CATALOG NUMBER

RRKTOP74

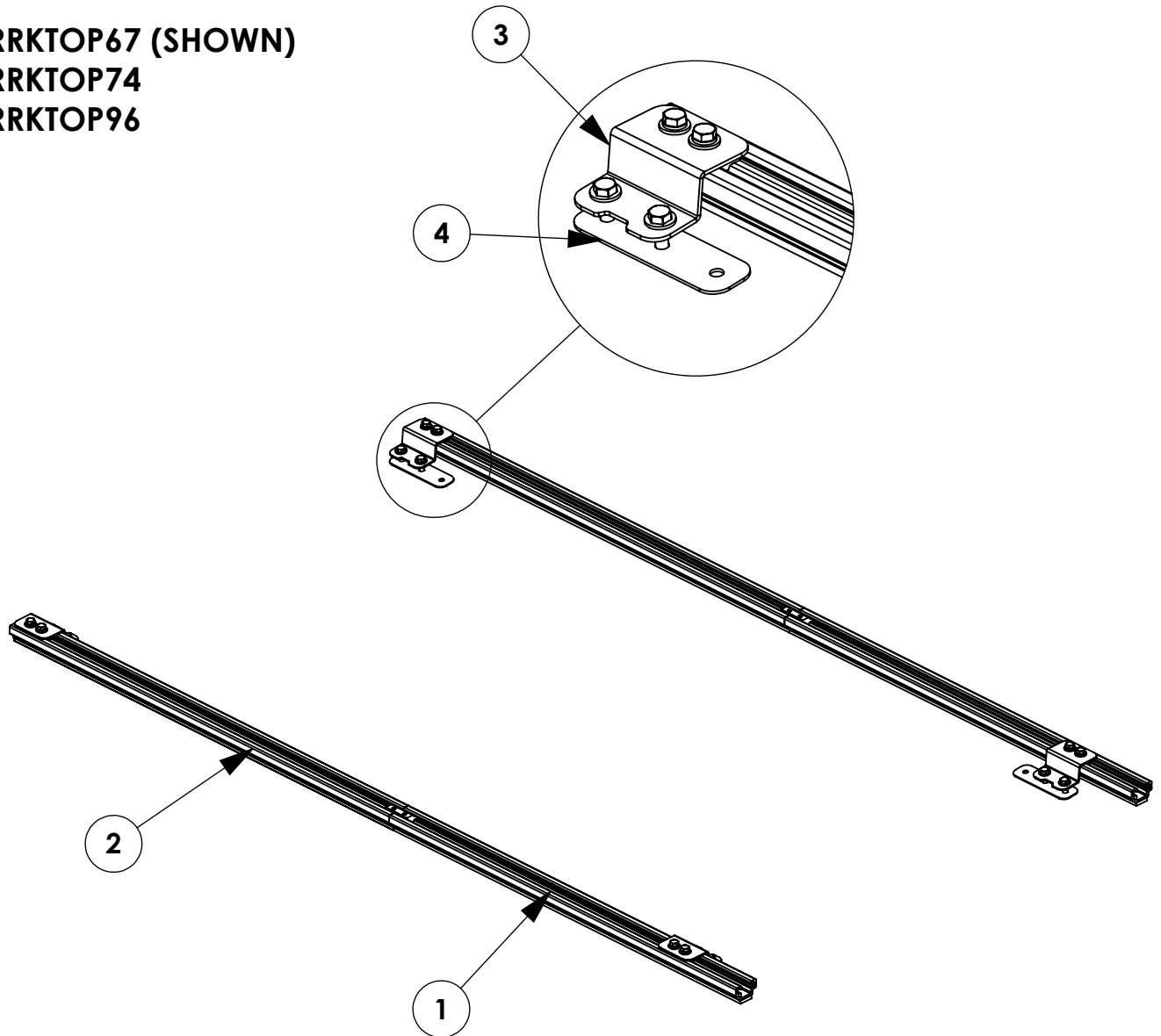
LADDER RACK HEIGHTS MEASURED FROM ROOF OF VEHICLE

CONFIGURATION	RACK HEIGHT
Base Rack	6.6"
Base + Ladder Stop	12.1"
Base + 4" Uprights	10.1"
Base + 6" Uprights	12.1"
Base + 9"/Ratchet Uprights	15.1"
Base + Grip-Lock	13.3"

INSTR. NUMBER : 69250	PG: 1	REV: B	ITEM NO.	PART NUMBER	DESCRIPTION	RRKTOP67	RRKTOP74	RRKTOP96
RRKTOP67 PART NUMBER : RRKTOP74 RRKTOP96			1	BLK69242	RAIL, 32.00	2	-	-
			2	BLK66194	RAIL, 35.00	2	2	-
			3	69241	TOPPER RAIL BRACKET	4	4	4
PART DESC. : ROOF RAIL KIT, TOPPER, 67" ROOF RAIL KIT, TOPPER, 74" ROOF RAIL KIT, TOPPER, 96"			4	66056	UTILITY, TOP SUPPORT PLATE	4	4	4
			5	BLK66067	RAIL, 39.00	-	2	-
			6	63373	ROOF RAIL PM 118, 159, 159EXT	-	-	4

NOTE: THIS INSTRUCTION IS VALID FOR THE FOLLOWING KITS:

- RRKTOP67 (SHOWN)
- RRKTOP74
- RRKTOP96



GET TO KNOW THE VEHICLE - AT THE BEGINNING OF ANY INSTALLATION, CHECK THE LOCATION OF THE FUEL TANK, FUEL LINES, BRAKE LINES, HIGH VOLTAGE BATTERIES AND WIRING HARNESSSES TO AVOID INJURY OR PROPERTY DAMAGE FROM TOOL CONTACT.

SEAL ALL EXTERIOR HOLES - ALL INSTALLATION HOLES SHOULD BE SEALED WITH BUTYL TAPE OR SILICON TO PREVENT WATER AND EXHAUST GASES FROM ENTERING THE VEHICLE.

CONTROL DRILL DEPTH - TO AVOID DAMAGE TO THE VEHICLE, USE A DRILL STOP OR CLEARED STEP BIT WHEN DRILLING INSTALLATION HOLES.

ALWAYS ADD PRIMER - WHEN ADDING INSTALLATION HOLES BE SURE TO USE A SELF-ETCHING PRIMER TO PREVENT CORROSION, FASTENER FAILURE AND INJURY.

MOUNTING POINTS MUST HAVE METAL-TO-METAL CONTACT - USE PROVIDED MOUNTING SPACERS TO ACCOMMODATE FOR VEHICLE FEATURES, CARPET OR SUBFLOORS.

PROVIDE CLEARANCE FOR SPACERS - IF THE INSTALLATION VEHICLE CONTAINS A CARPET OR SUBFLOOR, USE A 1-3/16" DIAMETER CARPET CUTTER (P/N: 31183-0) AT ALL MOUNTING LOCATIONS TO OPEN UP ROOM FOR SPACERS.

CHECK SPACER ORIENTATION - BE SURE THAT THE INDENT IN THE SPACER COVERS THE PLUSNUT HEAD; THIS ENSURES THE MOST METAL-TO-METAL CONTACT AND REDUCES VIBRATION.

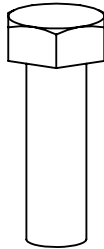
PLUSNUT INSTALLATION - A PLUSNUT GUN IS RECOMMENDED FOR PLUSNUT INSTALLATION FOR ITS PRODUCTION SPEED. HOWEVER, A PLUSNUT SETTING TOOL CAN ALSO BE USED (P/N: 22200-0).

THRU-BOLT CLEARANCE - WHEN USING A THRU-BOLT AT ANY MOUNTING LOCATION, BE SURE THAT YOUR HOLE HAS 1/16" CLEARANCE.

FASTENERS USED



FAS0497
5/16-18X.75 SS
SET SCREW
QTY: 4



FAS0597
5/16-18X1.0 SS
HH SCREW
QTY: 8



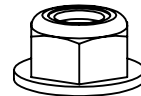
FAS0830
5/16-18X1.25 SS
SCREW, HH
QTY: 8



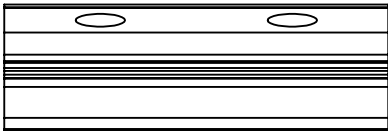
FAS0588
5/16 SS
SPLIT WASHER
QTY: 8



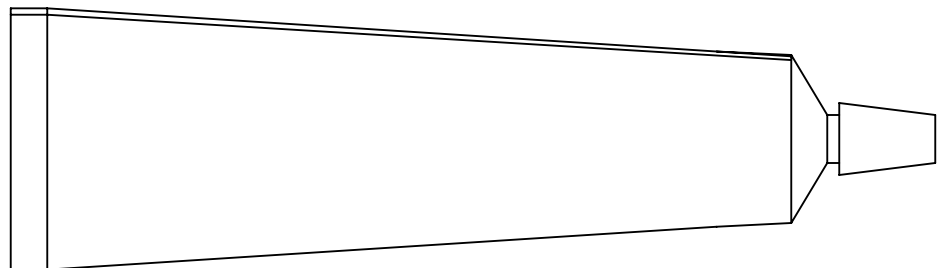
FAS0552
5/16 SS
FLAT WASHER
QTY: 16



FAS0861
5/16-18 SS
HH FLG NUT
QTY: 8

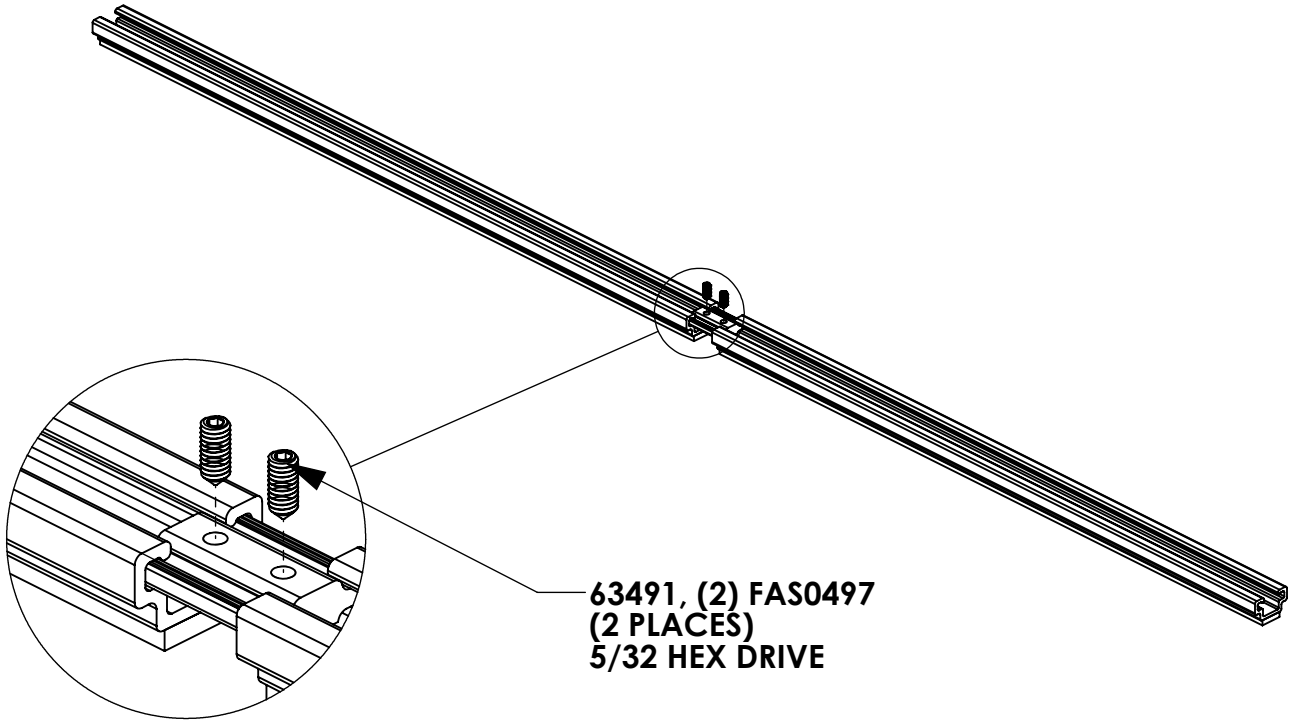


63491
RAIL SLIDE
2"
QTY: 6



26618-0
SILICONE
1 OZ TUBE
QTY: 1

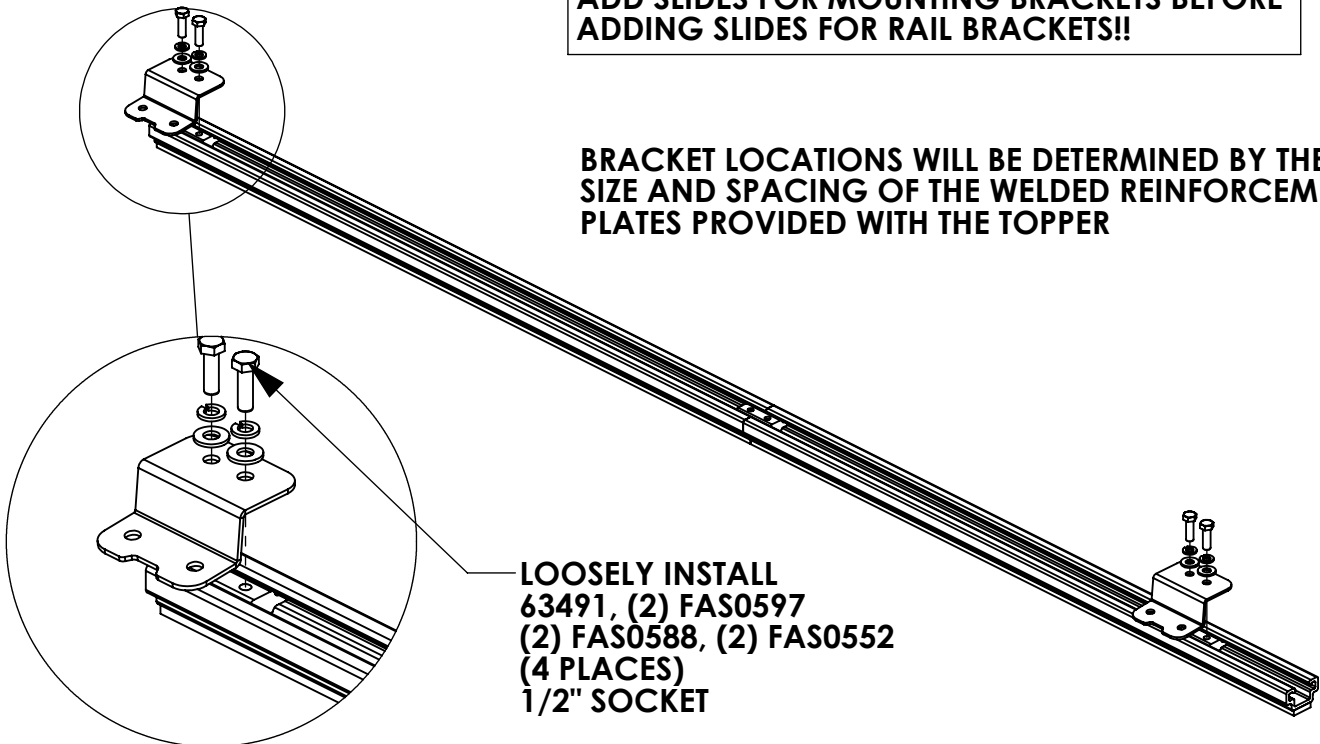
STEP 1 - CONNECT ROOF RAILS



STEP 2 - ASSEMBLE BRACKETS TO ROOF RAILS

**ADD SLIDES FOR MOUNTING BRACKETS BEFORE
ADDING SLIDES FOR RAIL BRACKETS!!**

**BRACKET LOCATIONS WILL BE DETERMINED BY THE
SIZE AND SPACING OF THE WELDED REINFORCEMENT
PLATES PROVIDED WITH THE TOPPER**



STEP 3 - MARK AND DRILL HOLES TO MOUNT RAILS**NOTE: INSIDE OF TOPPER SHOWN HERE**

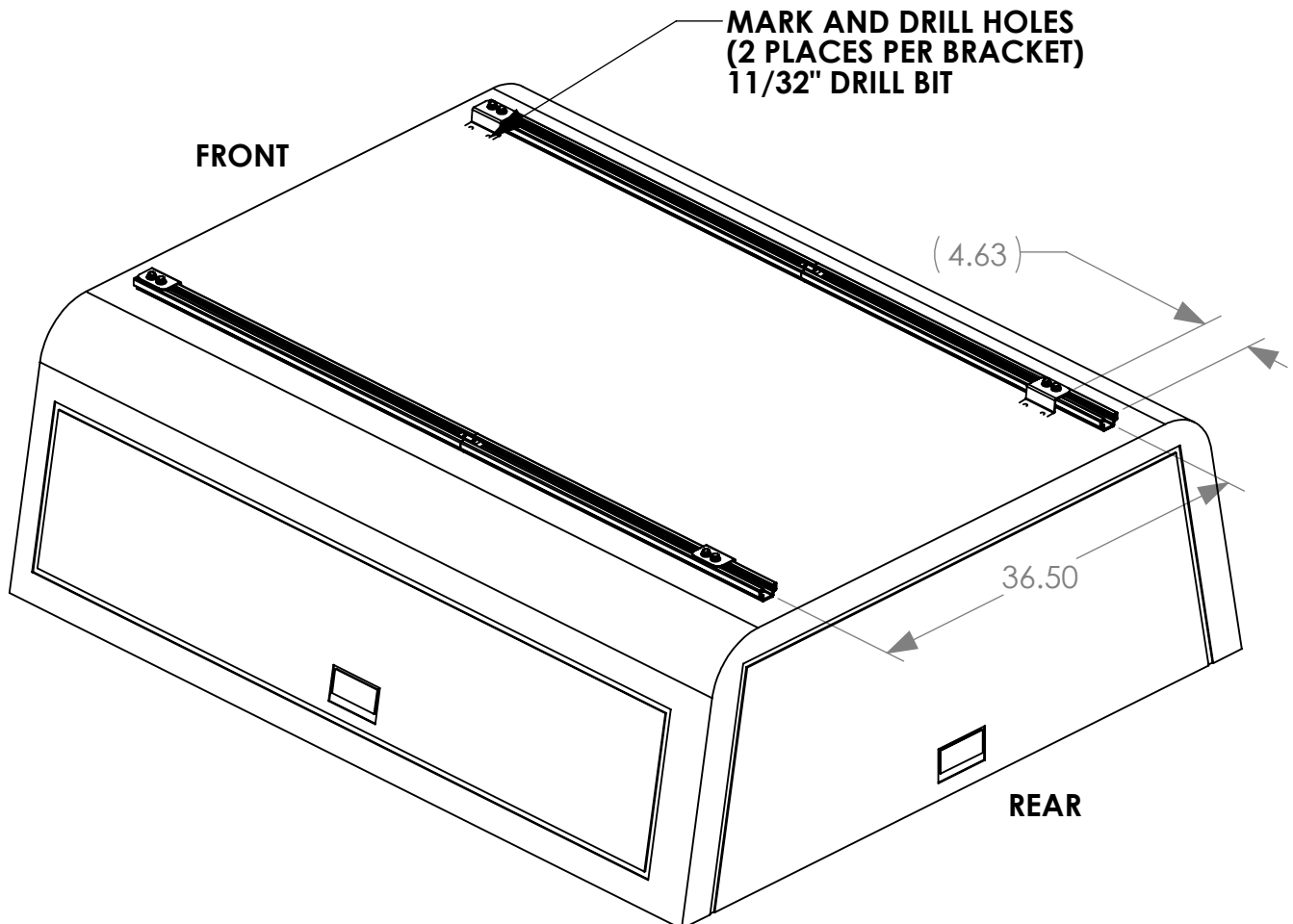
LOCATE THE REINFORCEMENT PLATES ON BOTH SIDES OF TOPPER (FRONT AND REAR).

MOUNTING HOLES IN RAIL BRACKETS NEED TO BE ABOVE THESE WHEN INSTALLED!!!



SET RAILS WITH BRACKETS ON ROOF, CENTER-TO-CENTER DISTANCE OF RAILS MUST BE A MINIMUM OF 36.5", CENTERED ON THE TOPPER.

PLEASE ENSURE THE SPACING OF THE RAIL BRACKETS PROVIDE ENOUGH CLEARANCE FOR THE MOUNTING BRACKETS OF THE RACK TO BE INSTALLED. RACK SHOULD BE INSTALLED AS FAR REARWARD AS POSSIBLE.



STEP 4 - MOUNT RAILS TO TOPPER

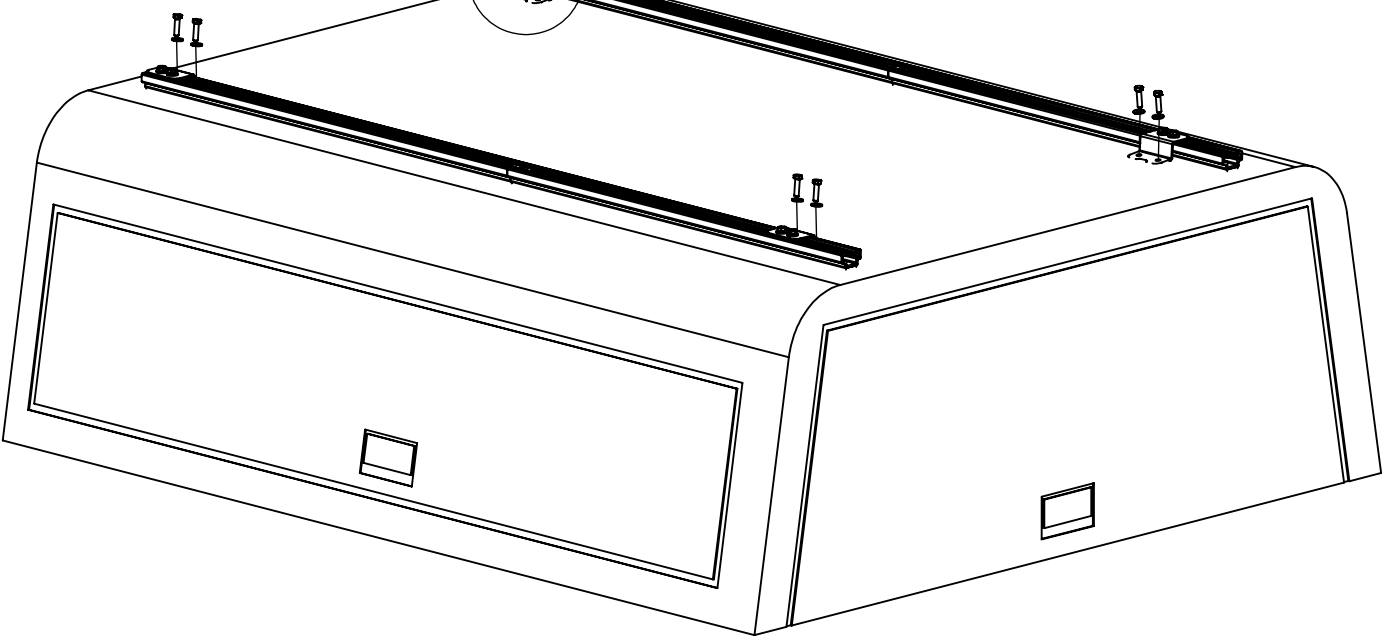
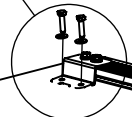
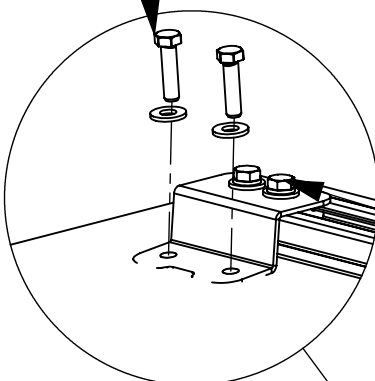
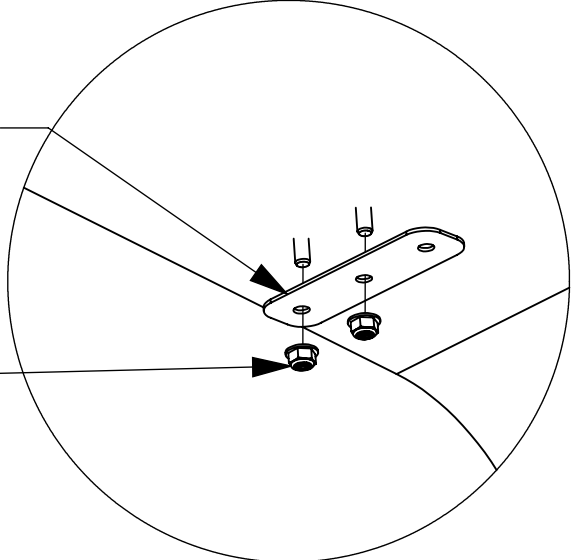
NOTE: INSIDE OF TOPPER SHOWN HERE

POSITION PLATE TO ALLOW THE MOST SURFACE AREA OF THE PLATE TO CONTACT THE WELDED REINFORCEMENT PLATES.

**FAS0830, FAS0552, FAS0861
(2 PLACES PER BRACKET)
1/2" SOCKET
1/2" WRENCH**

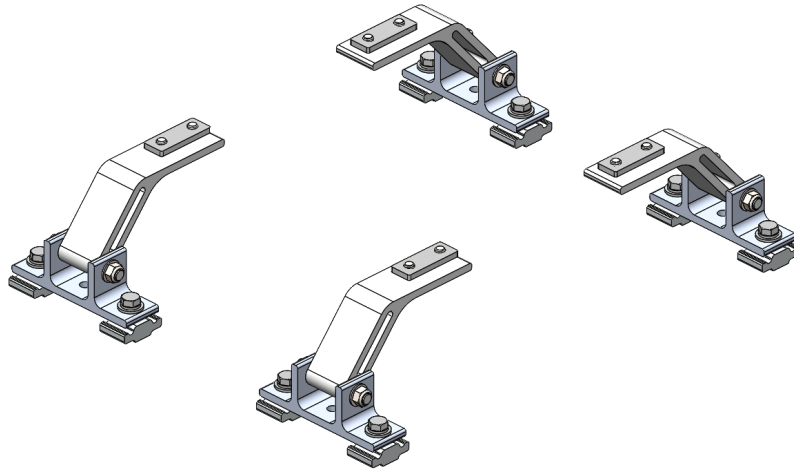
**FULLY TIGHTEN BOLTS
(2 PLACES PER BRACKET)
1/2" SOCKET**

**POKE FASTENERS THROUGH FOAM TAPE.
APPLY SILICONE AROUND DRILLED HOLES!**





Mounting Bracket Kit, 4-Pack, White, Multiple Pickups



PRODUCT WEIGHT
4.0 LBS

HEIGHT OFF ROOF
SEE TABLE BELOW

CAPACITY
**REFER TO OEM'S
RECOMMENDED LOAD
RATING**
COLOR

WHITE

CATALOG NUMBER

URMBK4W

PRODUCT FEATURES

Aluminum mounting bracket kit for the PROFILE™ HD Utility, Grip-Lock, and/or ProLift ladder racks. Only works with the OEM specific, Adrian Steel supplied roof rail kit.

Utility and Grip-Lock racks are not recommended for medium or high roof vehicles!

Reference respective OEM specific roof rail kit for more detailed list of compatible accessories.

SEE PAGE 2 FOR APPLICATION NOTES AND ACCESSORIES, OTHER PRODUCTS THAT WORK WITH THIS UNIT.

PAGE 1 of 2

The information contained in this document is the sole property of ADRIAN STEEL COMPANY. ADRIAN STEEL COMPANY retains the right to modify and/or change the product of its design at any time without prior notification.



CATALOG NUMBER URMBK4W

PRODUCT APPLICATION

This product is designed to work with OEM specific rail kit for HD Utility, Grip-Lock, and/or ProLift racks. HD Utility and Grip-Lock racks are not recommended for medium or high roof vehicles!

ACCESSORIES THAT WILL WORK WITH THIS PRODUCT

CATALOG NUMBER	DESCRIPTION	CATALOG NUMBER	DESCRIPTION
RRKFT	Mounting Roof Rail Kit, Transit	RRKNVFSV	Mounting Roof Rail Kit, NV
RRKSP	Mounting Roof Rail Kit, Sprinter	RRKPM	Mounting Roof Rail Kit, ProMaster, 118" WB, 159" WB, 159" WB Extended
RRKPM136WB	Mounting Roof Rail Kit, ProMaster, 136" WB	RRKSBTOP	Mounting Roof Rail Kit, Multiple Pickups
RRKLBTOP	Mounting Roof Rail Kit, Multiple Pickups		

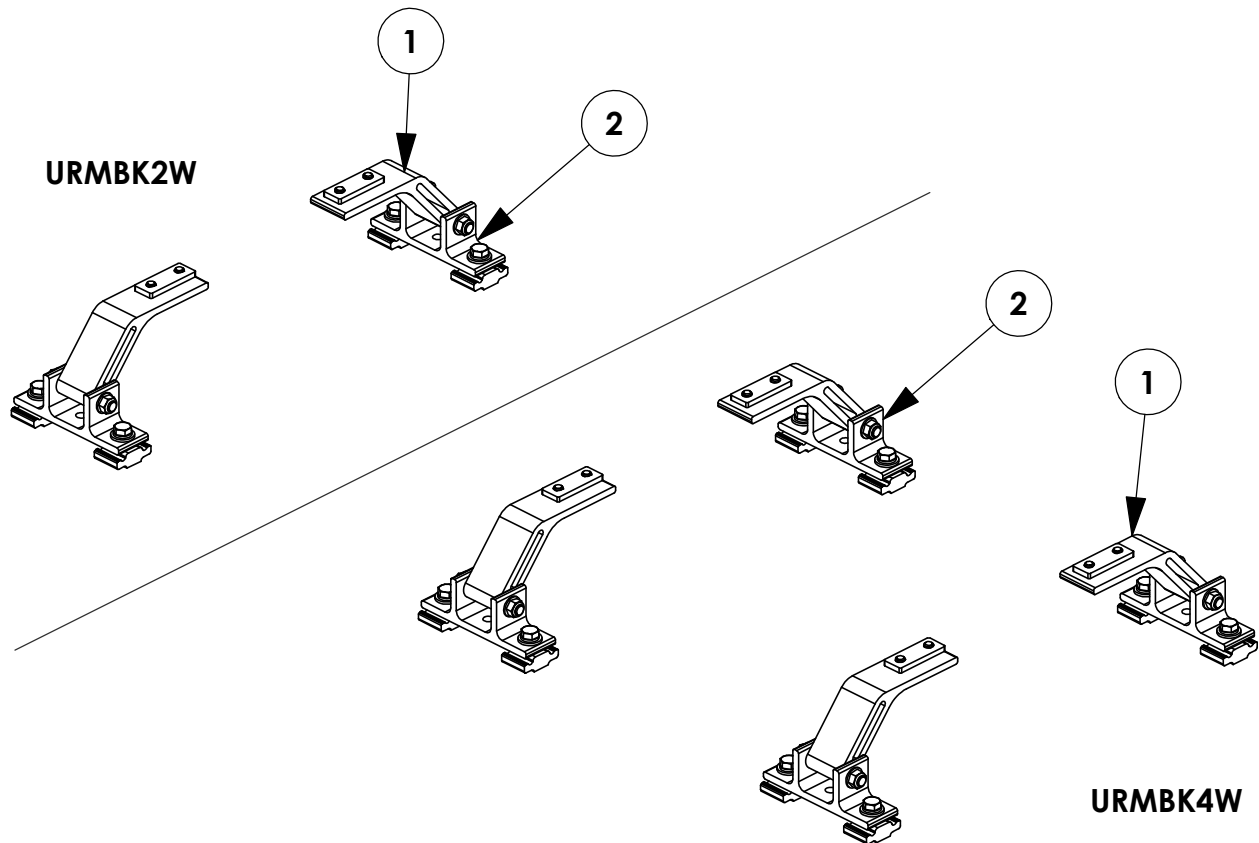
Reference respective OEM specific roof rail kit for more detailed list of compatible accessories.

INSTR. NUMBER : 66850	PG: 1	REV: D	ITEM NO.	PART NUMBER	DESCRIPTION	URMBK4W	URMBK2W
	PART NUMBER : URMBK		1	65123-W	UTILITY, FT MOUNT ARM, ST, W	4	2
PART DESC. : UTILITY, MNT BKT KT, RAIL			2	63852-W	UTILITY, MOUNTING BRKT, W	4	2

**-PART NUMBERS WITH "-W" SUFFIX ARE PAINTED WHITE
-FOR BLACK MOUNTING KITS, REPLACE "-W" PARTS WITH "-B" PARTS**

NOTE: THIS INSTRUCTION IS VALID FOR THE FOLLOWING KITS:

- URMBK4W
- URMBK4B
- URMBK2W
- URMBK2B



TOOLS NEEDED:

- DRIVE RATCHET
- IMPACT DRIVER
- 3/16" SOCKET
- 1/2" SOCKET
- 1/2" WRENCH
- TAPE MEASURE

GET TO KNOW THE VEHICLE - AT THE BEGINNING OF ANY INSTALLATION, CHECK THE LOCATION OF THE FUEL TANK, FUEL LINES, BRAKE LINES, HIGH VOLTAGE BATTERIES AND WIRING HARNESSSES TO AVOID INJURY OR PROPERTY DAMAGE FROM TOOL CONTACT.

SEAL ALL EXTERIOR HOLES - ALL INSTALLATION HOLES SHOULD BE SEALED WITH BUTYL TAPE OR SILICON TO PREVENT WATER AND EXHAUST GASES FROM ENTERING THE VEHICLE.

CONTROL DRILL DEPTH - TO AVOID DAMAGE TO THE VEHICLE, USE A DRILL STOP OR CLEARED STEP BIT WHEN DRILLING INSTALLATION HOLES.

ALWAYS ADD PRIMER - WHEN ADDING INSTALLATION HOLES BE SURE TO USE A SELF-ETCHING PRIMER TO PREVENT CORROSION, FASTENER FAILURE AND INJURY.

MOUNTING POINTS MUST HAVE METAL-TO-METAL CONTACT - USE PROVIDED MOUNTING SPACERS TO ACCOMMODATE FOR VEHICLE FEATURES, CARPET OR SUBFLOORS.

PROVIDE CLEARANCE FOR SPACERS - IF THE INSTALLATION VEHICLE CONTAINS A CARPET OR SUBFLOOR, USE A 1-3/16" DIAMETER CARPET CUTTER (P/N: 31183-0) AT ALL MOUNTING LOCATIONS TO OPEN UP ROOM FOR SPACERS.

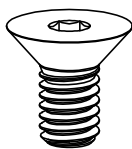
CHECK SPACER ORIENTATION - BE SURE THAT THE INDENT IN THE SPACER COVERS THE PLUSNUT HEAD; THIS ENSURES THE MOST METAL-TO-METAL CONTACT AND REDUCES VIBRATION.

PLUSNUT INSTALLATION - A PLUSNUT GUN IS RECOMMENDED FOR PLUSNUT INSTALLATION FOR ITS PRODUCTION SPEED. HOWEVER, A PLUSNUT SETTING TOOL CAN ALSO BE USED (P/N: 22200-0).

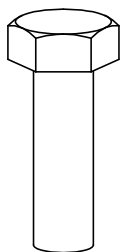
THRU-BOLT CLEARANCE - WHEN USING A THRU-BOLT AT ANY MOUNTING LOCATION, BE SURE THAT YOUR HOLE HAS 1/16" CLEARANCE.

FASTENERS AND HARDWARE USED

BAG REFERENCE: BAG66848



FAS0858
5/16-18X.63
FHH SCREW
QTY: 8



FAS0597
5/16-18X1.0 SS
HH SCREW
QTY: 8



FAS0243
5/16-18X2.5 SS
HH SCREW
QTY: 4



FAS0857
5/16 SS WASHER,
LOCK EXT CS
QTY: 8



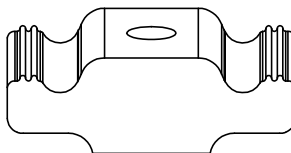
FAS0588
5/16 SS
SPLIT WASHER
QTY: 8



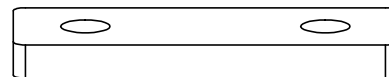
FAS0552
5/16 SS
FLAT WASHER
QTY: 12



FAS0861
5/16-18 SS
HH FLG NUT
QTY: 4



63490
RAIL SLIDE,
1"
QTY: 8



68042
PROFILE FOOT
MOUNTING PLATE
QTY: 4

PAGE INTENTIONALLY LEFT BLANK

STEP 1 - ASSEMBLE MOUNTING ARMS TO CROSSBOW



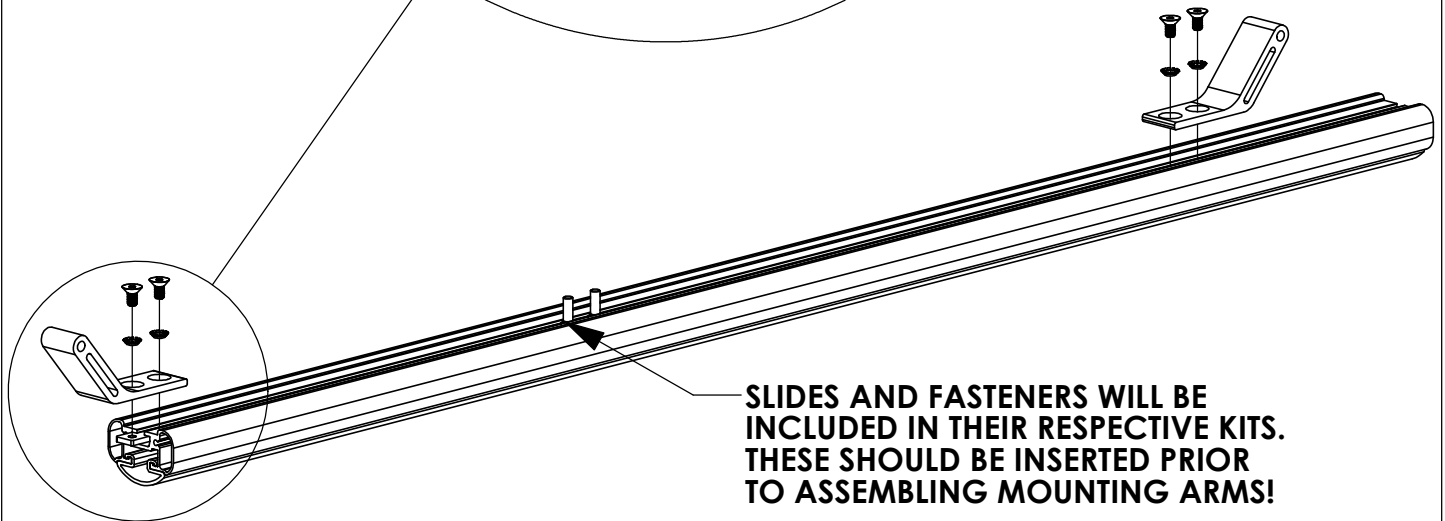
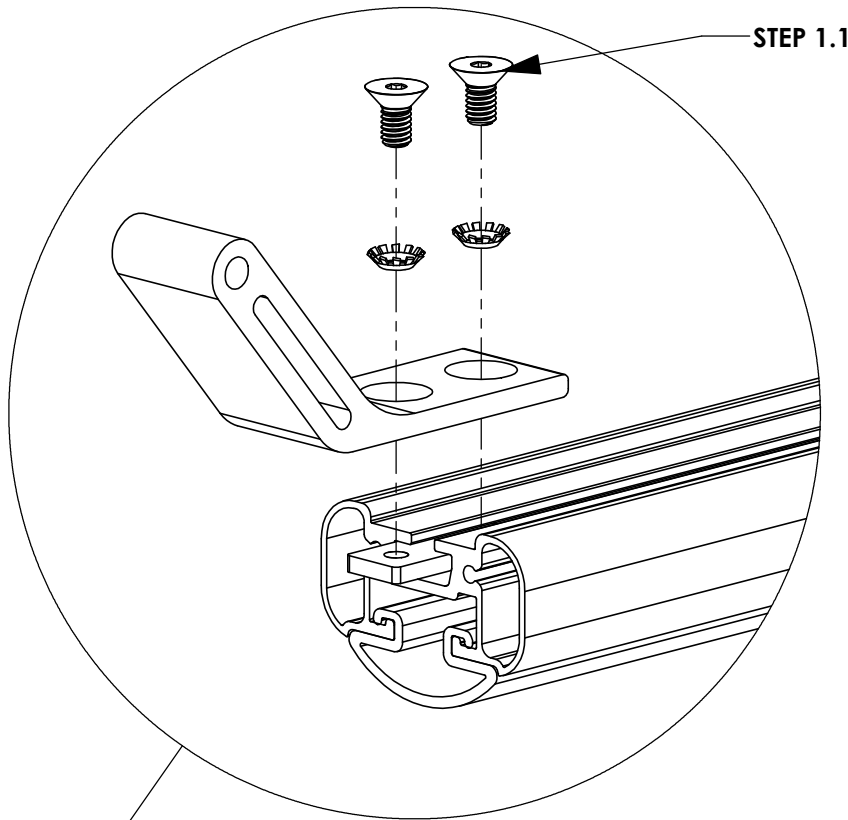
CHECK TABLE 1-3 IN INSTRUCTION 68895 FOR ADDITIONAL ACCESSORY SLIDE INSTALLATION BEFORE INSTALLING MOUNTING BRACKETS (ALL A.2 ITEMS SHOULD BE COMPLETELY ASSEMBLED FIRST!)

STEP 1.1
LOOSELY ASSEMBLE
UNTIL AFTER STEP 3
(2) FAS0857, (2)
FAS0858, 68042

(02 PLACES PER
CROSSBOW)
3/16" ALLEN

ATTENTION!

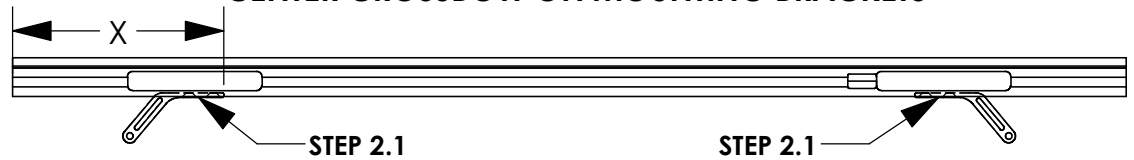
IF INSTALLING A GRIP-LOCK ON A PICKUP TRUCK TOPPER, ASSEMBLE MOUNTING ARMS FACING OUTWARD FOR THAT SIDE OF THE RACK



STEP 2 - SECURE CROSSBOW

FULL SIZE VANS

CENTER CROSSBOW ON MOUNTING BRACKETS

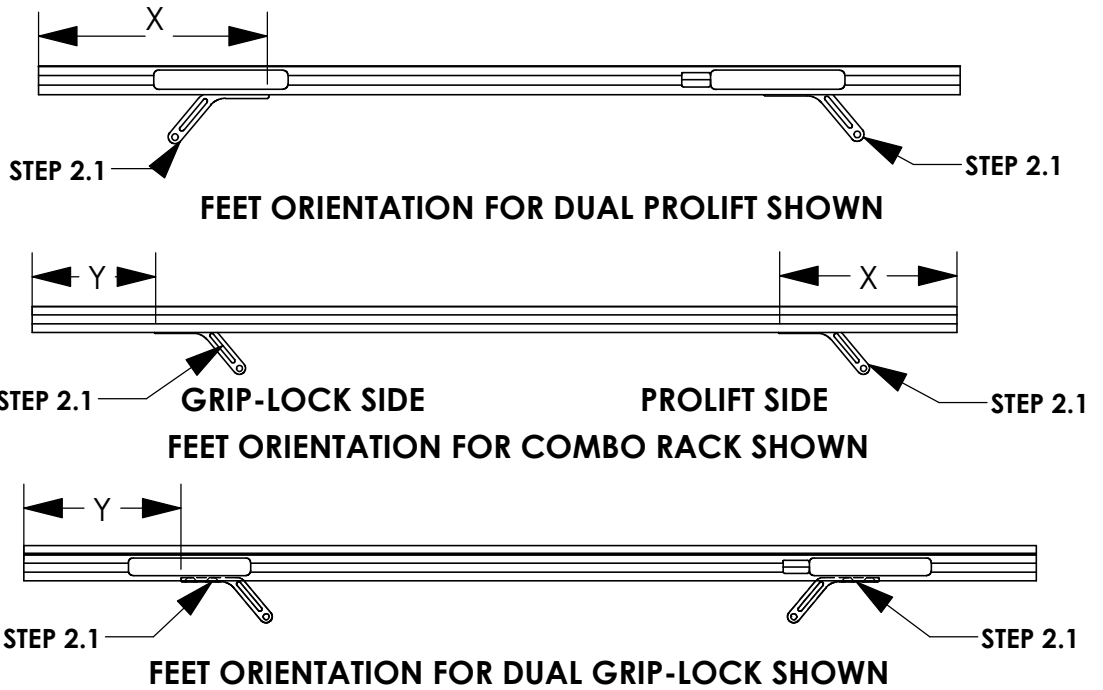


STEP 2.1
FULLY TIGHTEN
FROM STEP 1.1
 (04 PLACES PER
 CROSSBOW)
 3/16" ALLEN

VEHICLE PLATFORM	DIMENSION "X" (in.) - 58" CROSSBOW	DIMENSION "X" (in.) - 68" CROSSBOW
FORD TRANSIT	6 5/8"	11 5/8"
RAM PROMASTER	6"	11"
NISSAN NV	4 7/8"	9 7/8"
MERCEDES SPRINTER (LOW ROOF)	4 5/8"	9 5/8"
MERCEDES SPRINTER (HIGH ROOF)	8 1/8"	13 1/8"

**DIMENSION WILL
 VARY BASED ON
 ROOF RAIL
 PLACEMENT ON
 TOPPER**

PICKUP TRUCK TOPPERS



**MOUNTING FEET
 FOR GRIP LOCK SIDE
 OF COMBO RACK
 WILL FACE
 OUTWARD FROM
 ROOF CENTERLINE
 ON TOPPER**

CROSSBOW LENGTH	DIMENSION "X" (in.) - PROLIFT	DIMENSION "Y" (in.) - GRIPLOCK
48" (PROLIFT)	MINIMUM 10 1/8"	N/A
53" (COMBO)	MINIMUM 10 1/8"	MAX 7 1/8"
58" (GRIP-LOCK)	N/A	MAX 7 1/8"

**NOTE - THESE DIMENSIONS ARE APPROXIMATE AND WILL VARY
 SLIGHTLY WITH ANY TOLERANCE IN THE BUILD OF THE VEHICLE**

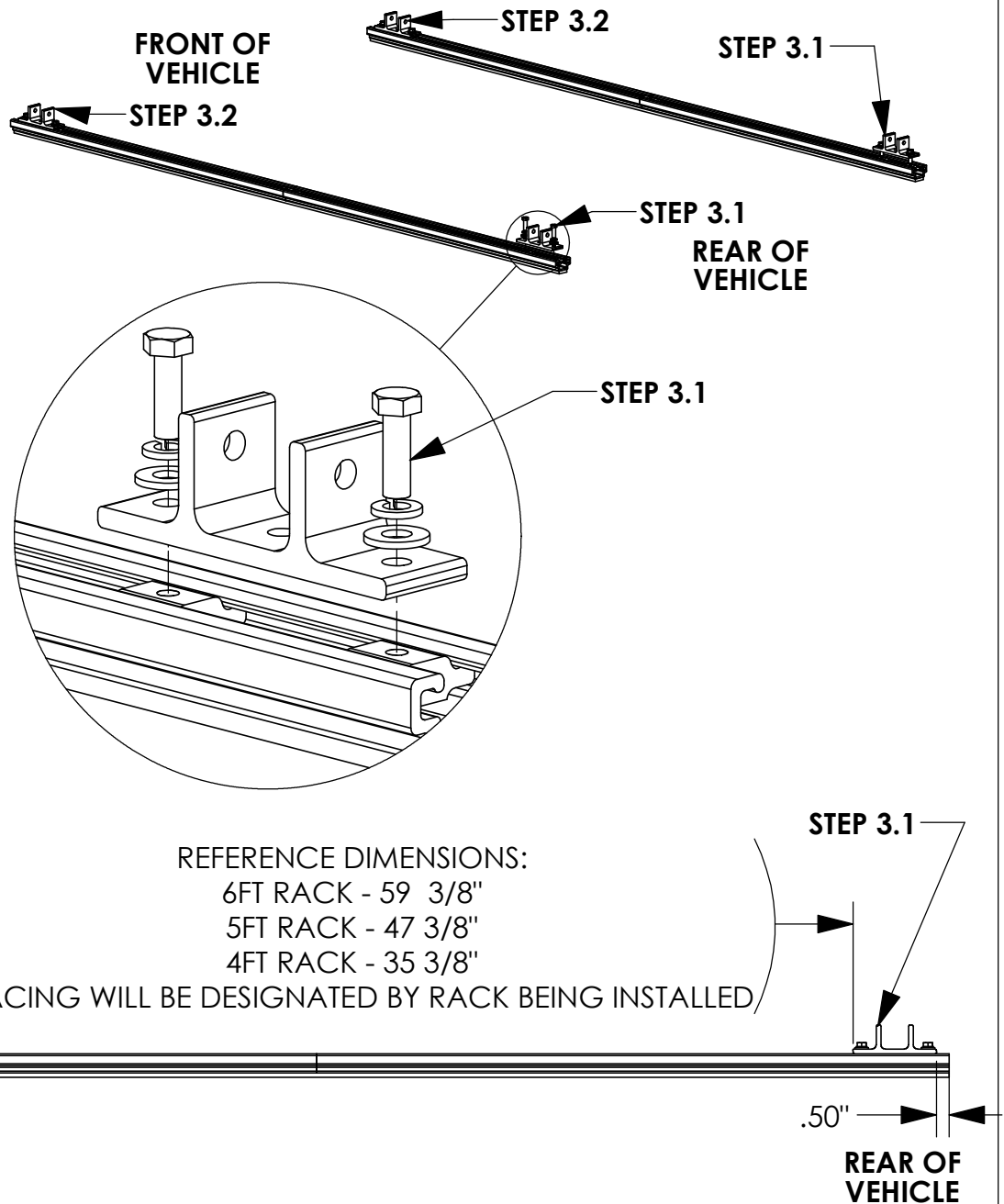
STEP 3 - ASSEMBLE LOWER MOUNTING FOOT TO ROOF RAIL

STEP 3.1
FULLY TIGHTEN
 FAS0597, FAS0552,
 FAS0588, 63490 ON
 REAR MOUNTING FEET

(02 PLACES PER
 MOUNTING FOOT)
 1/2" SOCKET

STEP 3.2
LEAVE LOOSE UNTIL
AFTER STEP 4
 FAS0597, FAS0552,
 FAS0588, 63490 ON
 FRONT MOUNTING
 FEET

(02 PLACES PER
 MOUNTING FOOT)
 1/2" SOCKET



CROSSBOW POSITIONING NOTES:

HD UTILITY RACK -

REAR CROSSBOW - REARWARD AS POSSIBLE
 FRONT CROSSBOW- POSITION TO BEST FIT END USER'S PRODUCT

GRIP LOCK/PROLIFT LADDER RACKS -

1/2" FROM END OF RAIL UNLESS OTHERWISE STATED IN RESPECTIVE
 INSTRUCTION FOR CROSSBOW PLACEMENT.

STEP 4 - ASSEMBLE MOUNTING BRACKETS TO MOUNTING ARMS



BEFORE PROCEEDING WITH THIS STEP FINISH ASSEMBLING ACCESSORIES ONTO RACK. (IE GRIP LOCK, PROLIFT, ETC)

STEP 4.1

FULLY TIGHTEN

FAS0243, FAS0552,
FAS0861

(02 PLACES PER
CROSSBOW)

1/2" SOCKET
1/2" WRENCH

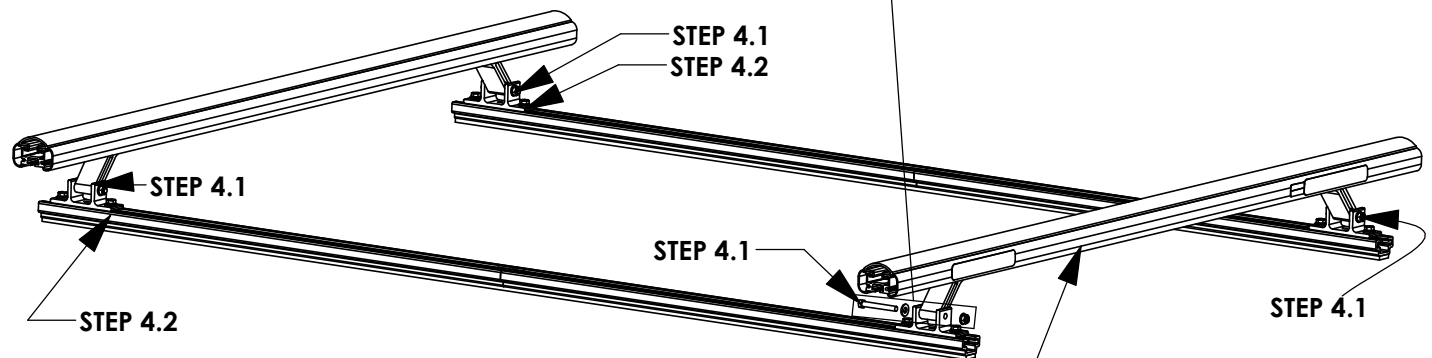
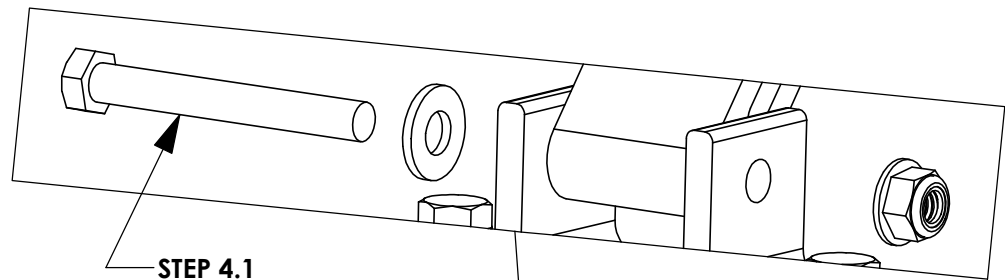
STEP 4.2

FULLY TIGHTEN

FAS0597, FAS0552,
FAS0588, 63490 ON
FRONT MOUNTING
FEET

(02 PLACES PER
MOUNTING FOOT)

1/2" SOCKET



NOTE ORIENTATION OF LABELS ON CROSSBOW

REFERENCE - NO ACCESSORIES SHOWN

STEP 5 - ADJUST MOUNTING BRACKET LOCATION IF NECESSARY

CROSSBOW POSITIONING NOTES:

HD UTILITY RACK -

REAR CROSSBOW - REARWARD AS POSSIBLE
 FRONT CROSSBOW- POSITION TO BEST FIT END USER'S PRODUCT

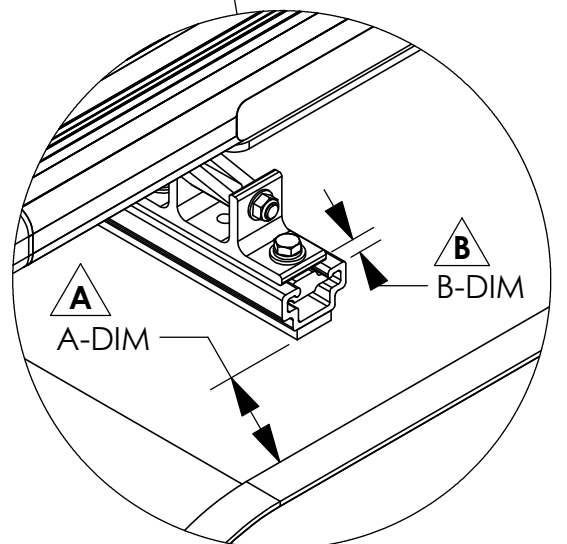
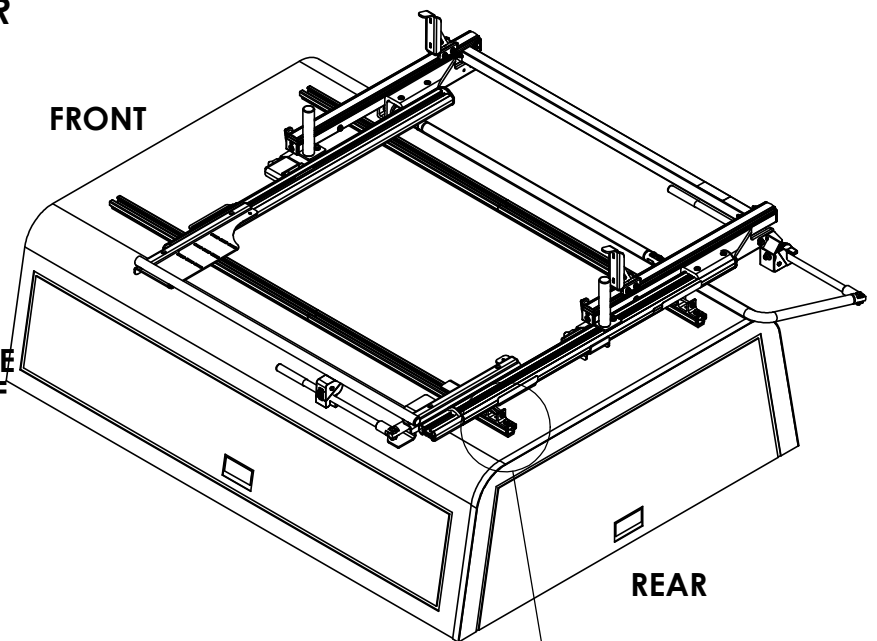
GRIP LOCK/PROLIFT LADDER RACKS -

1/2" FROM END OF RAIL UNLESS OTHERWISE STATED IN RESPECTIVE INSTRUCTION FOR CROSSBOW PLACEMENT.

6' ARE TOPPER / 8' LEER TOPPER

**△ A OPTIMAL RAIL KIT POSITION:
 TOPPER ROOF RAIL KIT END TO BE
 A-DIM FROM BLACK TOPPER TRIM**

**△ B UTILITY MOUNTING BRACKET:
 REAR MOUNTING BRACKETS WILL BE
 B-DIM FROM THE END OF THE ROOF
 RAIL KIT**



TOPPER/ DIMENSION	6' ARE TOPPER	8' LEER TOPPER
A-DIM	3.00"	1.00"
B-DIM	0.50"	0.50"

**NOTE:
 IF RAILS HAVE BEEN PREVOIUSLY INSTALLED, LOOSEN TOPPER RAIL BRACKET RAIL SLIDES
 AND ADJUST TO MEET DESIRED POSITIONING**

INSTALLATION IS COMPLETE!! MAKE SURE ALL FASTENERS ARE TIGHTENED

INSTALLATION GUIDE FOR PROFILE™ SERIES LADDER RACKS

INSTRUCTION #:
68895

REV:
B

THIS INSTRUCTION PROVIDES A GENERAL GUIDE OF INSTALLATION SEQUENCE FOR ALL PROFILE™ SERIES LADDER RACKS. PLEASE ENSURE ALL ACCESSORIES ARE INSTALLED PER TYPE OF RACK BEFORE PROCEEDING TO NEXT PAGE.

REFERENCE THIS INSTRUCTION THROUGHOUT THE ENTIRETY OF YOUR INSTALL TO PREVENT ACCESSORIES BEING INSTALLED INCORRECTLY/OUT OF SEQUENCE!

STEPS 21 - 81 ON PAGE 3 IS THE RECOMMENDED ASSEMBLY SEQUENCE FOR A FULL TABLE ASSEMBLY BEFORE INSTALLING ON THE ROOF OF THE VEHICLE.

STEPS 2R - 8R ON PAGE 4 IS AN ALTERNATE ASSEMBLY SEQUENCE TO INSTALL THE RACK ON THE VEHICLE ROOF AS IT IS BUILT.

PLEASE SELECT THE ASSEMBLY SEQUENCE THAT BEST WORKS FOR YOU!



ASSEMBLY STEPS:

STEP 1A. SUB-ASSEMBLE EACH CROSSBOW WITH DESIRED ACCESSORIES FOR SECTIONS A.1 & A.2.

INSTRUCTIONS FOR EACH KIT CAN BE FOUND IN THEIR RESPECTIVE CARTON!

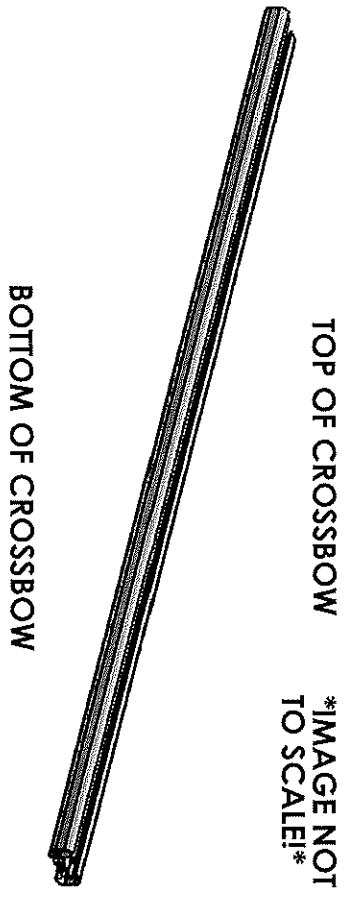
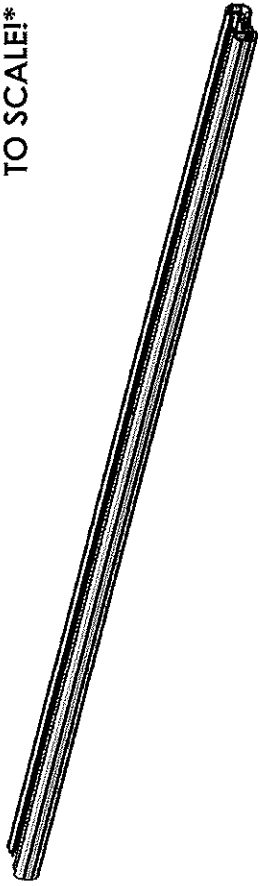


TABLE 1

TOP OF CROSSBOW		COMPONENTS TO INSTALL
A.1		HD UTILITY - CONDUIT KIT OR BEACON
		Grip-Lock - CONDUIT KIT OR BEACON
		ProLift - CONDUIT KIT OR BEACON
BOTTOM OF CROSSBOW		COMPONENTS TO INSTALL
A.2		HD UTILITY - LADDER STOP, STROBE BRACKET, AND/OR REAR ROLLER
		Grip-Lock - Grip-Lock SUB-ASSEMBLY
		ProLift - DAMPER BRACKET

STEP 1B. SUB-ASSEMBLE EACH CROSSBOW WITH DESIRED ACCESSORIES FOR SECTIONS B.1 & B.2. INSTRUCTIONS FOR EACH KIT CAN BE FOUND IN THEIR RESPECTIVE CARTON!

TOP OF CROSSBOW *IMAGE NOT TO SCALE!*



BOTTOM OF CROSSBOW

TABLE 2

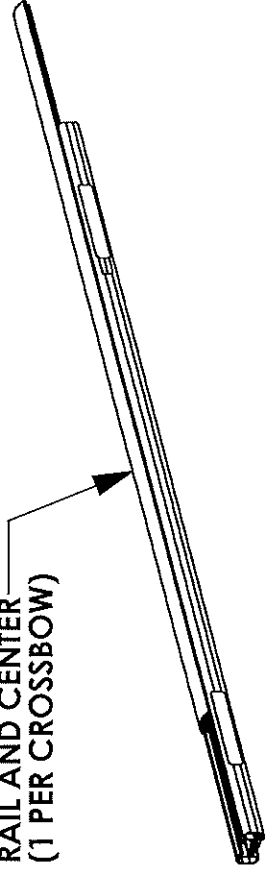
TOP OF CROSSBOW	
	COMPONENTS TO INSTALL
HD UTILITY	- WEAR STRIP (MODIFY IF NECESSARY, TABLE 3)
Grip-Lock	- WEAR STRIP (MODIFY IF NECESSARY, TABLE 3)
ProLift	- INNER STOP POST
BOTTOM OF CROSSBOW	
	COMPONENTS TO INSTALL
HD UTILITY	- MOUNTING BRACKETS
Grip-Lock	- MOUNTING BRACKETS
ProLift	- MOUNTING BRACKETS

ALTER WEAR STRIP AND INSTALL ON CROSSBOW (IF APPLICABLE)! REFERENCE TABLE 3 BELOW FOR WEAR STRIP ALTERATION INSTRUCTIONS!

TABLE 3

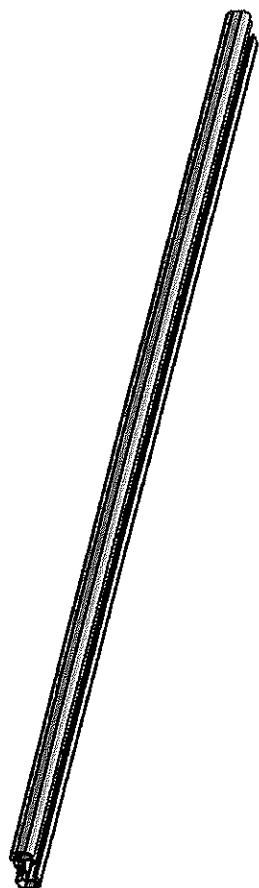
ADDED ACCESSORIES	ALTERATION FOR WEAR STRIP
4" UPRIGHT***	REMOVE 2" FROM END OF WEAR STRIP
4" PVC CONDUIT KIT	REMOVE 7.25" FROM CENTER OF WEAR STRIP
6" PVC CONDUIT KIT	REMOVE 9.50" FROM CENTER OF WEAR STRIP
ALUMINUM BOX CONDUIT KIT	REMOVE 13.25" FROM CENTER OF WEAR STRIP
BEACON	REMOVE 4" FROM CENTER OF WEAR STRIP
ProLift (SINGLE SIDE)	CUT WEAR STRIP IN HALF, DO NOT INSTALL ON ProLift SIDE
ProLift (DUAL SIDE)	DO NOT INSTALL WEAR STRIP

SLIDE WEAR STRIP INTO RAIL AND CENTER (1 PER CROSSBOW)



STEP 1C SUB-ASSEMBLE EACH CROSSBOW WITH DESIRED ACCESSORIES FOR SECTIONS C.1 & C.2

TOP OF CROSSBOW
IMAGE NOT TO SCALE!



BOTTOM OF CROSSBOW

TABLE 4

TOP OF CROSSBOW COMPONENTS TO INSTALL	
HD UTILITY	- 4" UPRIGHT
Grip-Lock	- N/A
Prolift	- SLIDES FOR BASE EXTRUSION
BOTTOM OF CROSSBOW COMPONENTS TO INSTALL	
HD UTILITY	- UPRIGHTS (6", 9", RATCHET)
Grip-Lock	- STROBES
Prolift	- STROBES

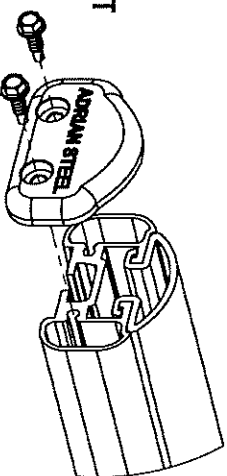
ASSEMBLY STEPS (FULL BENCH ASSEMBLY):

- 2T. ADD DRIVELINES (IF INSTALLING Prolift)
- 3T. ADD HANDLES (IF INSTALLING Grip-Lock OR Prolift) AND DAMPERS (IF INSTALLING Prolift)
- 4T. ADD OUTER SUPPORT BARS (IF INSTALLING Grip-Lock OR Prolift)
- 5T. ADD STEP LADDER KIT (Grip-Lock OR Prolift ONLY)

6T. ASSEMBLE ENDS CAPS TO CROSSBOW

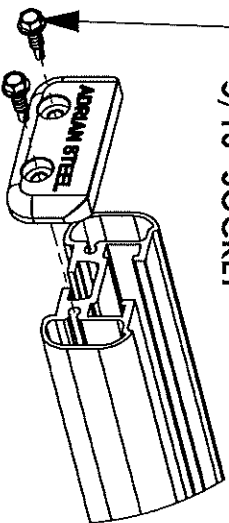
USED FOR HD UTILITY & Grip-Lock RACKS

LOCATED IN CROSSBOW KIT



FULLY TIGHTEN
(2) FAS0473, 63851
(2 PLACES PER END CAP)
5/16" SOCKET

USED FOR Prolift RACKS
LOCATED IN Prolift Kit



7T. INSTALL ROOF RAIL KIT ON VEHICLE ROOF OR BOTTOM MOUNTING BRACKETS

(ROOF RAIL KIT REQUIRED FOR Grip-Lock & Prolift OPTIONAL FOR HD UTILITY, NOT NEEDED FOR GM LADDER RACKS)

8T. MOUNT CROSSBOW SUB-ASSEMBLIES FROM STEP 1 TO VEHICLE/MOUNTING BRACKET, OR ROOF RAIL (LOOSE INSTALL)

ALTERNATE ASSEMBLY METHOD!
(ASSEMBLE ON VEHICLE ROOF):

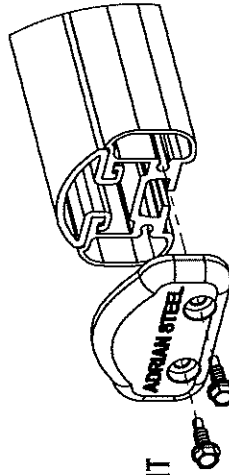
- 2R. INSTALL ROOF RAIL KIT ON VEHICLE ROOF OR BOTTOM MOUNTING BRACKETS

(ROOF RAIL KIT REQUIRED FOR Grip-Lock & ProLift, OPTIONAL FOR HD UTILITY, NOT NEEDED FOR GM LADDER RACKS)
- 3R. MOUNT CROSSBOW SUB-ASSEMBLIES FROM STEP 1 TO VEHICLE/MOUNTING BRACKET, OR ROOF RAIL (LOOSE INSTALL)
- 4R. ADD DRIVELINES (IF INSTALLING ProLift)
- 5R. ADD HANDLES (IF INSTALLING Grip-Lock OR ProLift) AND DAMPERS (IF INSTALLING ProLift)
- 6R. ADD OUTER SUPPORT BARS (IF INSTALLING Grip-Lock OR ProLift)
- 7R. ADD STEP LADDER KIT (Grip-Lock OR ProLift ONLY!)

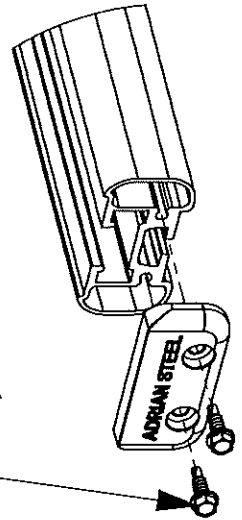
8R. ASSEMBLE END CAPS TO CROSSBOW

USED FOR HD UTILITY & Grip-Lock RACKS

LOCATED IN CROSSBOW KIT



FULLY TIGHTEN
(2) FAS0473, 63851
(2 PLACES PER END CAP)
5/16" SOCKET



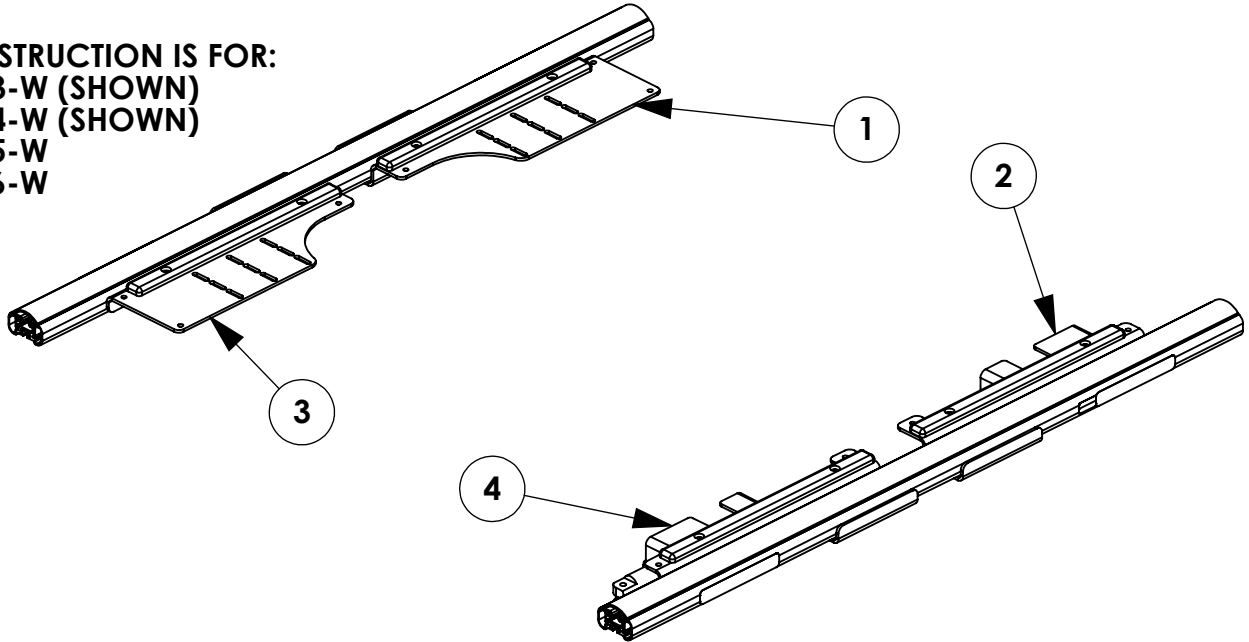
USED FOR ProLift RACKS
LOCATED IN ProLift Kit

INSTR. NUMBER : 69718	PG: 1	REV: A	ITEM NO.	PART NUMBER	DESCRIPTION	69583-W	69584-W
PART NUMBER : 69583 & 69584			1	66359	GRIP LOCK FRONT BRACE ASSM CS	1	-
			2	66360	GRIP LOCK REAR BRACE ASSM CS	1	-
PART DESC. : INSTALL INS FOR 698583/84			3	66361	GRIP LOCK FRONT BRACE SS ASSM	-	1
			4	66362	GRIP LOCK REAR BRACE ASSM SS	-	1

NOTE: CROSSBOWS AND WEAR STRIPS INCLUDED IN OTHER KITS

THIS INSTRUCTION IS FOR:

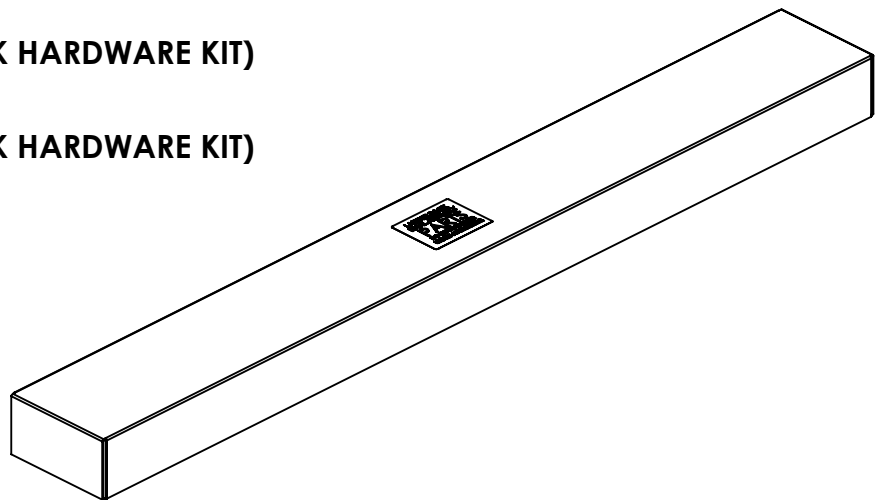
- 69583-W (SHOWN)
- 69584-W (SHOWN)
- 69585-W
- 69586-W



ITEMS TO STOW IN VEHICLE

69583-W & 69584-W
 - HDW69716 (4 FT GRIP-LOCK HARDWARE KIT)

69585-W & 69586-W
 - HDW69717 (5 FT GRIP-LOCK HARDWARE KIT)



GET TO KNOW THE VEHICLE - AT THE BEGINNING OF ANY INSTALLATION, CHECK THE LOCATION OF THE FUEL TANK, FUEL LINES, BRAKE LINES, HIGH VOLTAGE BATTERIES AND WIRING HARNESSSES TO AVOID INJURY OR PROPERTY DAMAGE FROM TOOL CONTACT.

SEAL ALL EXTERIOR HOLES - ALL INSTALLATION HOLES SHOULD BE SEALED WITH BUTYL TAPE OR SILICON TO PREVENT WATER AND EXHAUST GASES FROM ENTERING THE VEHICLE.

CONTROL DRILL DEPTH - TO AVOID DAMAGE TO THE VEHICLE, USE A DRILL STOP OR CLEARED STEP BIT WHEN DRILLING INSTALLATION HOLES.

ALWAYS ADD PRIMER - WHEN ADDING INSTALLATION HOLES BE SURE TO USE A SELF-ETCHING PRIMER TO PREVENT CORROSION, FASTENER FAILURE AND INJURY.

MOUNTING POINTS MUST HAVE METAL-TO-METAL CONTACT - USE PROVIDED MOUNTING SPACERS TO ACCOMMODATE FOR VEHICLE FEATURES, CARPET OR SUBFLOORS.

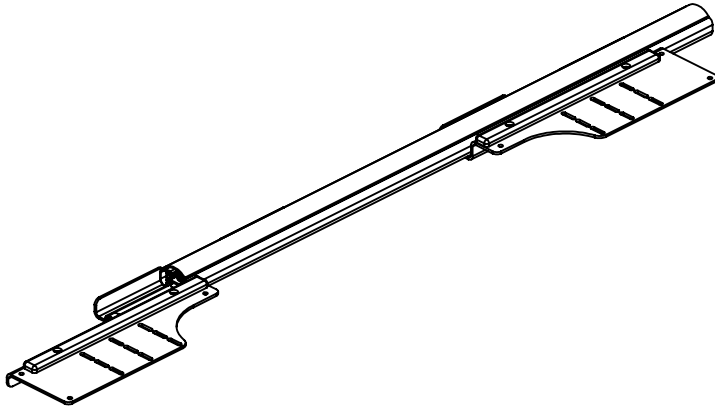
PROVIDE CLEARANCE FOR SPACERS - IF THE INSTALLATION VEHICLE CONTAINS A CARPET OR SUBFLOOR, USE A 1-3/16" DIAMETER CARPET CUTTER (P/N: 31183-0) AT ALL MOUNTING LOCATIONS TO OPEN UP ROOM FOR SPACERS.

CHECK SPACER ORIENTATION - BE SURE THAT THE INDENT IN THE SPACER COVERS THE PLUSNUT HEAD; THIS ENSURES THE MOST METAL-TO-METAL CONTACT AND REDUCES VIBRATION.

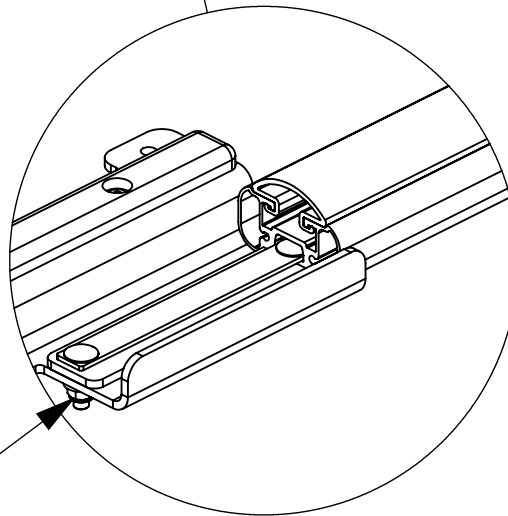
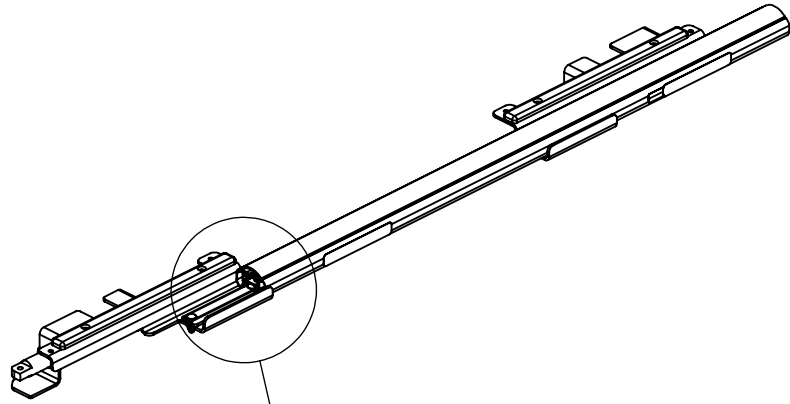
PLUSNUT INSTALLATION - A PLUSNUT GUN IS RECOMMENDED FOR PLUSNUT INSTALLATION FOR ITS PRODUCTION SPEED. HOWEVER, A PLUSNUT SETTING TOOL CAN ALSO BE USED (P/N: 22200-0).

THRU-BOLT CLEARANCE - WHEN USING A THRU-BOLT AT ANY MOUNTING LOCATION, BE SURE THAT YOUR HOLE HAS 1/16" CLEARANCE.

STEP 1 - SLIDE FRONT & REAR ASSEMBLIES ONTO CROSSBOW



SLIDE ASSEMBLIES AS FAR TOWARDS THE CENTER OF THE CROSSBOW AS POSSIBLE



**TIGHTEN BOLTS
1/2" SOCKET
(4) PLACES PER SIDE**

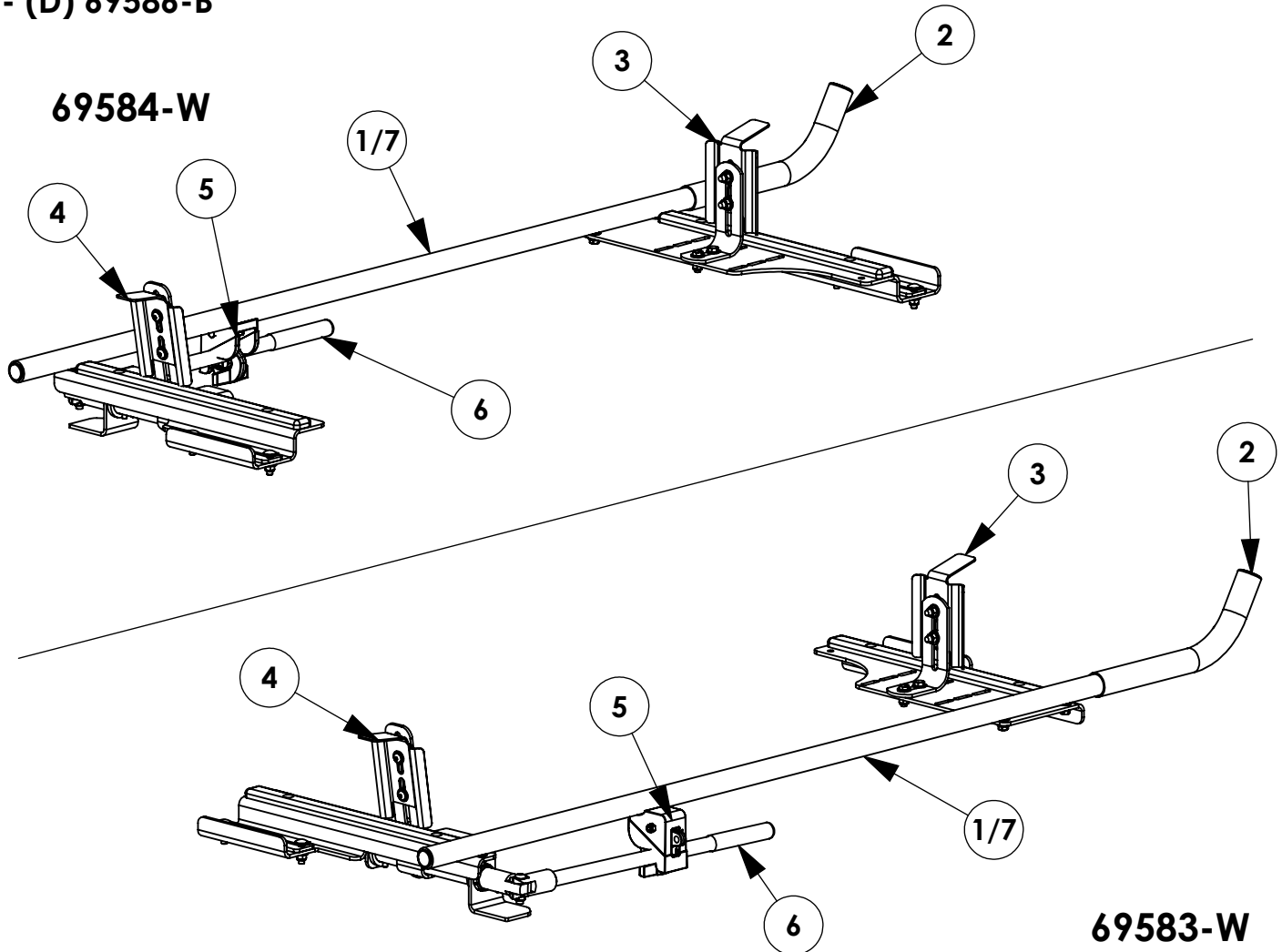
**COMPLETE THIS STEP BEFORE ASSEMBLING
MOUNTING BRACKETS TO CROSSBOW!!!**

INSTR. NUMBER	PG.	REV.	ITEM NO.	PART NUMBER	DESCRIPTION	A QTY.	B QTY.	C QTY.	D QTY.
: 69719	1	A	1	69244	GRIP-LOCK, TOP OUT TUB, ASM	1	1	-	-
			2	27254-B	SLEEVE-HORN, L.R. BLACK	1	1	1	1
PART NUMBER : 69583-W & 69584-W			3	66358	GRIP LOCK FRONT STOP ASSM	1	1	1	1
			4	66357	GRIP LOCK HANDLE CLAMP POST	1	1	1	1
PART • SHIP THRU, GL, PS, TOPPER, W DESC. • SHIP THRU, GL, DS, TOPPER, W			5	25340-0	HANDLE LATCH-STD	1	1	1	1
			6	66291-W	GRIP LOCK HANDLE, WHITE	1	1	1	1
			7	68434	GRIP LOCK, CP TUBE ASM	-	-	1	1

NOTE - THIS INSTRUCTION IS VALID FOR THE FOLLOWING KITS:

- (A) 69583-W (SHOWN)
- (B) 69584-W (SHOWN)
- (C) 69585-W
- (D) 69586-W
- (A) 69583-B
- (B) 69584-B
- (C) 69585-B
- (D) 69586-B

- PART NUMBERS WITH "-W" SUFFIX ARE PAINTED WHITE
- FOR BLACK GRIP-LOCK™, REPLACE "-W" PARTS WITH "-B" PARTS



GET TO KNOW THE VEHICLE - AT THE BEGINNING OF ANY INSTALLATION, CHECK THE LOCATION OF THE FUEL TANK, FUEL LINES, BRAKE LINES, HIGH VOLTAGE BATTERIES AND WIRING HARNESSSES TO AVOID INJURY OR PROPERTY DAMAGE FROM TOOL CONTACT.

SEAL ALL EXTERIOR HOLES - ALL INSTALLATION HOLES SHOULD BE SEALED WITH BUTYL TAPE OR SILICON TO PREVENT WATER AND EXHAUST GASES FROM ENTERING THE VEHICLE.

CONTROL DRILL DEPTH - TO AVOID DAMAGE TO THE VEHICLE, USE A DRILL STOP OR CLEARED STEP BIT WHEN DRILLING INSTALLATION HOLES.

ALWAYS ADD PRIMER - WHEN ADDING INSTALLATION HOLES BE SURE TO USE A SELF-ETCHING PRIMER TO PREVENT CORROSION, FASTENER FAILURE AND INJURY.

MOUNTING POINTS MUST HAVE METAL-TO-METAL CONTACT - USE PROVIDED MOUNTING SPACERS TO ACCOMMODATE FOR VEHICLE FEATURES, CARPET OR SUBFLOORS.

PROVIDE CLEARANCE FOR SPACERS - IF THE INSTALLATION VEHICLE CONTAINS A CARPET OR SUBFLOOR, USE A 1-3/16" DIAMETER CARPET CUTTER (P/N: 31183-0) AT ALL MOUNTING LOCATIONS TO OPEN UP ROOM FOR SPACERS.

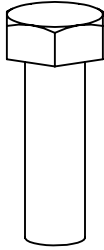
CHECK SPACER ORIENTATION - BE SURE THAT THE INDENT IN THE SPACER COVERS THE PLUSNUT HEAD; THIS ENSURES THE MOST METAL-TO-METAL CONTACT AND REDUCES VIBRATION.

PLUSNUT INSTALLATION - A PLUSNUT GUN IS RECOMMENDED FOR PLUSNUT INSTALLATION FOR ITS PRODUCTION SPEED. HOWEVER, A PLUSNUT SETTING TOOL CAN ALSO BE USED (P/N: 22200-0).

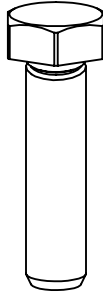
THRU-BOLT CLEARANCE - WHEN USING A THRU-BOLT AT ANY MOUNTING LOCATION, BE SURE THAT YOUR HOLE HAS 1/16" CLEARANCE.

FASTENERS USED

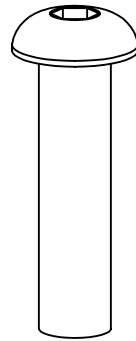
QUANTITIES PROVIDED ARE FOR A SINGLE SIDE INSTALL



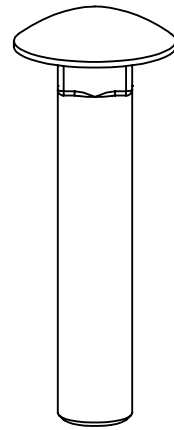
FAS0597
5/16-18 X 1.0 SS
HH SCREW
QTY: 2



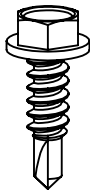
FAS0830
5/16-18 X 1.25 SS
HH SCREW
QTY: 4



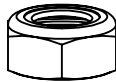
FAS0819
5/16-18 X 1.5 SS
BHC SCREW
QTY: 1



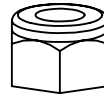
FAS0721
3/8-16 X 2.0 SS
CRG BOLT
QTY: 1



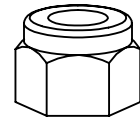
FAS0473
#12x.75
HH TEK SCREW
QTY: 4



FAS0399
3/8-16 SS
NYL NUT
QTY: 1



FAS0248
5/16-18 SS
NYL NUT
QTY: 2



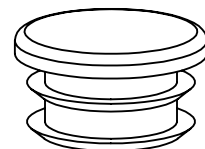
FAS0110
3/8-16 SS
NYL NUT
QTY: 1



FAS0588
5/16-18 SS
SPLIT WASHER
QTY: 4

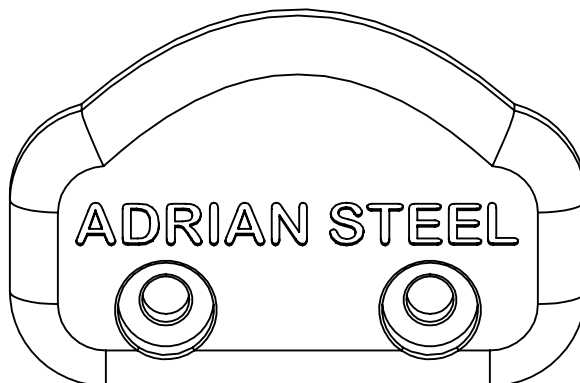


FAS0552
5/16-18 SS
FLAT WASHER
QTY: 8

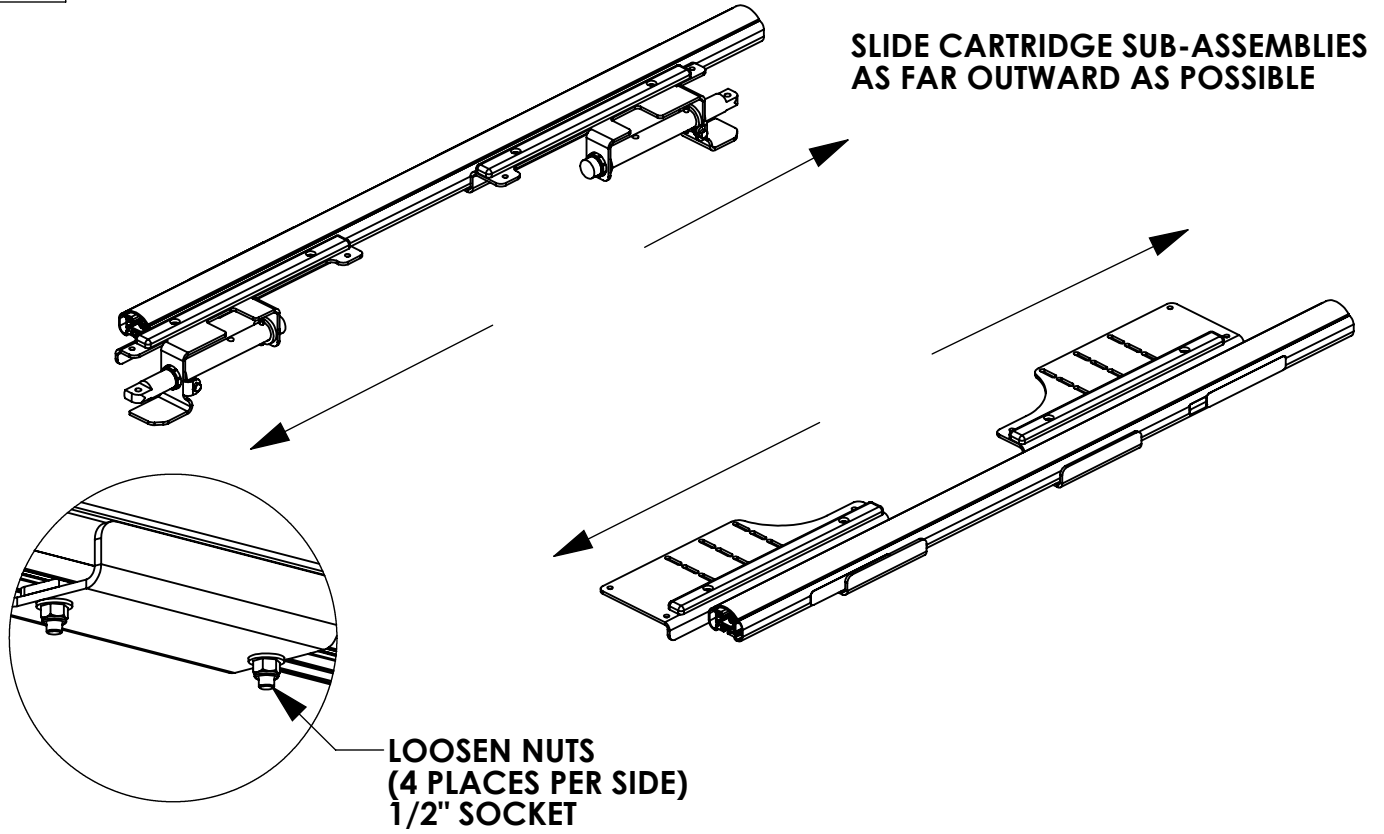


51363
1" RND BLK
CAP PLUG
QTY: 1

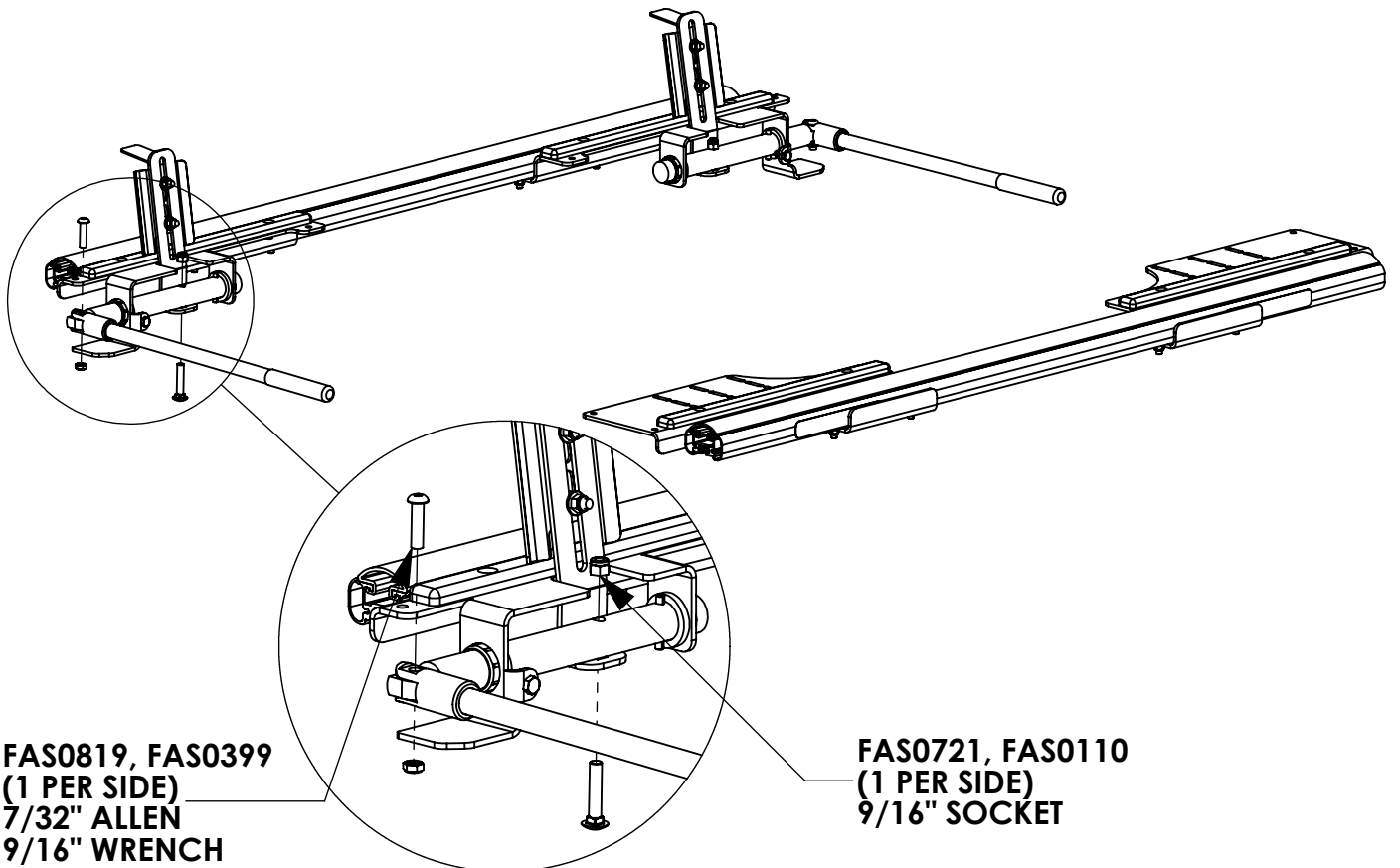
63851
CROSSBOW
END CAP
QTY: 2



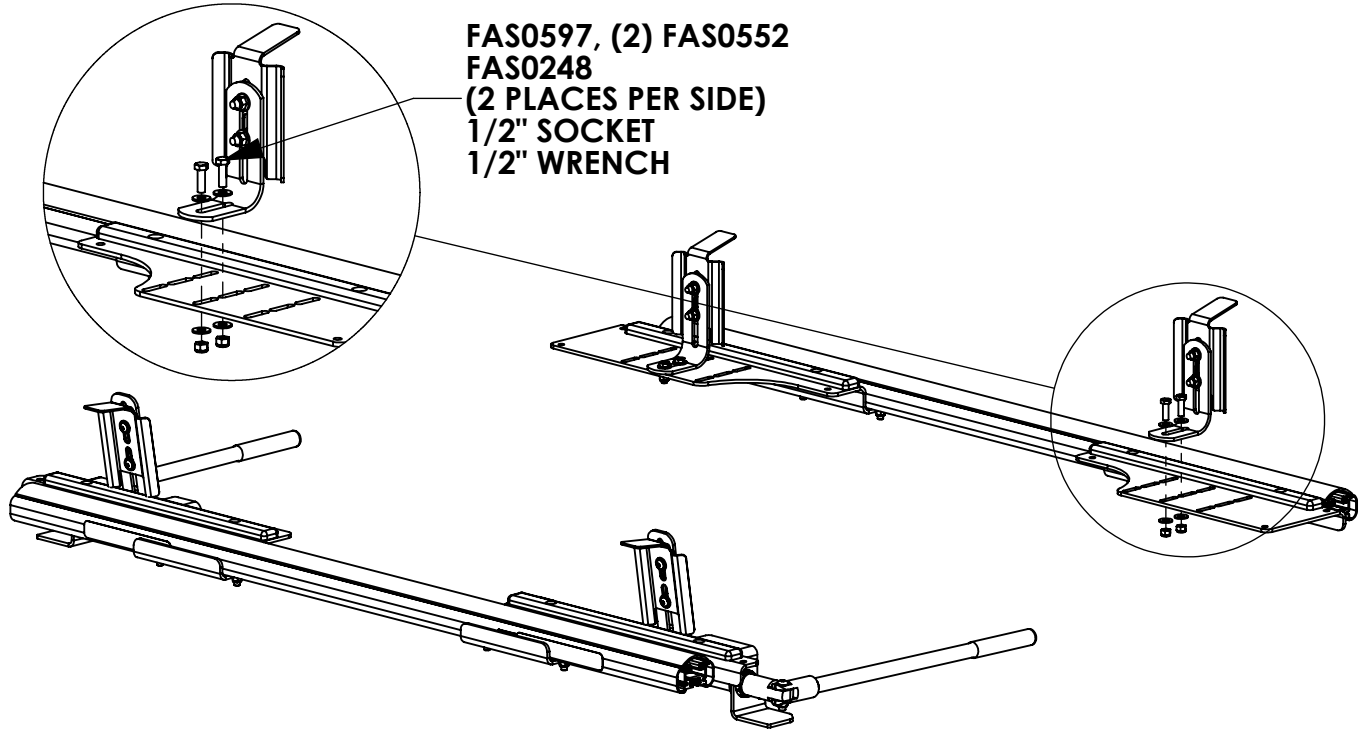
STEP 1 - SLIDE CARTRIDGE SUB-ASSEMBLIES OUTWARD



STEP 2 - ASSEMBLE REAR CLAMP AND HANDLE

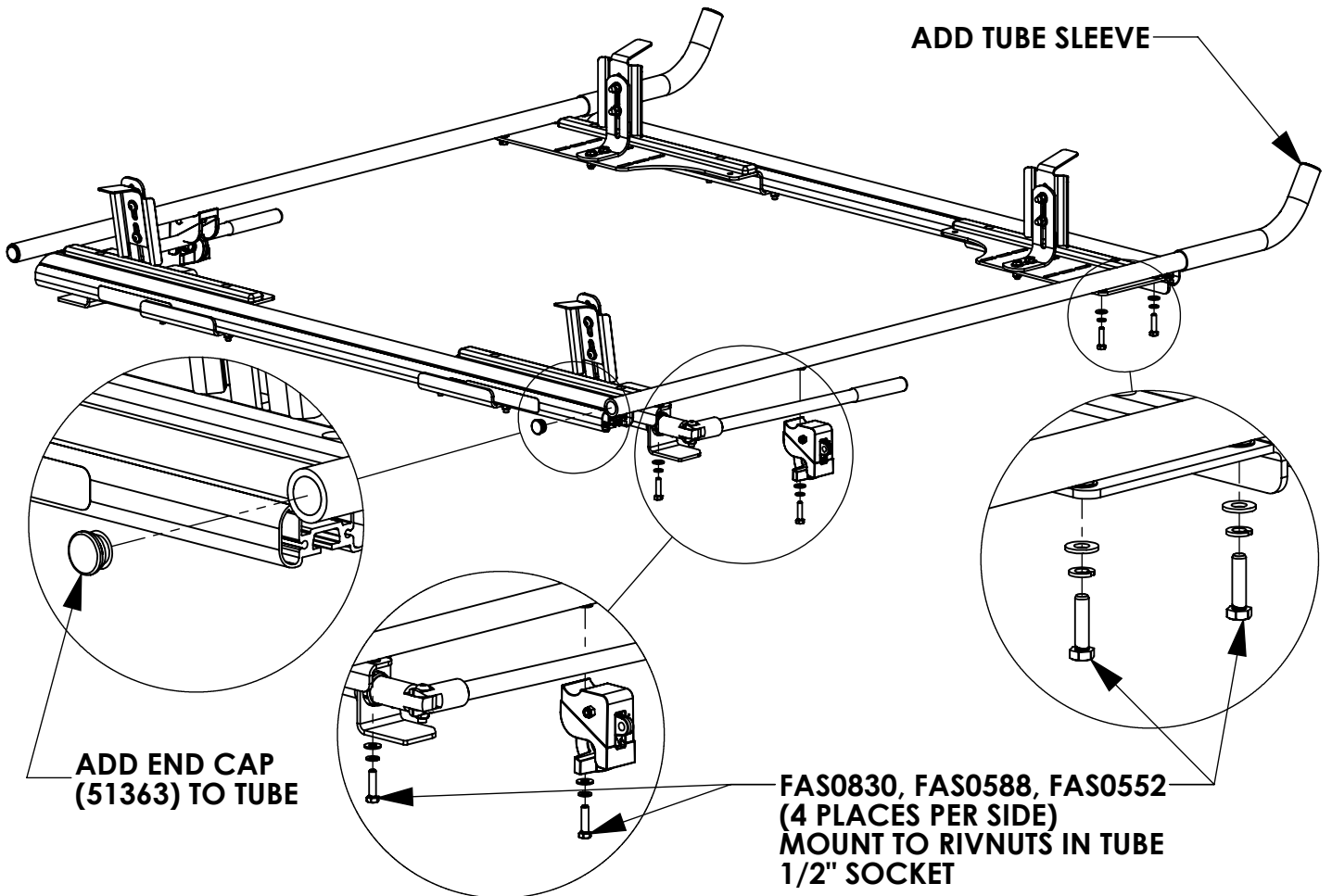


STEP 3 - ASSEMBLE FRONT CLAMP



FAS0597, (2) FAS0552
FAS0248
(2 PLACES PER SIDE)
1/2" SOCKET
1/2" WRENCH

STEP 4 - ASSEMBLE OUTER TUBE AND LATCH



ADD TUBE SLEEVE

ADD END CAP
(51363) TO TUBE

FAS0830, FAS0588, FAS0552
(4 PLACES PER SIDE)
MOUNT TO RIVNUTS IN TUBE
1/2" SOCKET

STEP 5 - ASSEMBLE END CAPS TO CROSSBOWS

