



## Passenger Side Grip-Lock Kit, Full Size Van



PRODUCT WEIGHT  
**37.7 LBS**

WIDTH x DEPTH x HEIGHT  
**22" x 88" x 11"**

CAPACITY  
**N/A**

COLOR  
**WHITE/BLACK**

CATALOG NUMBER  
**GL-FSVPS**

### PRODUCT FEATURES

Passenger side kit for PROFILE™ Grip-Lock and combo ladder racks. Works with all conduit kits.

Works on GM Express/Savana, Ford Transit Low Roof, and Nissan NV Low Roof vans. Not recommended for Medium Roof, High Roof, Ram Promaster Low Roof, or Mercedes Sprinter Low Roof vans.

Please refer to OEM specific mounting kit or rail kit for additional information on compatible accessories.

**SEE PAGE 2 FOR APPLICATION NOTES AND ACCESSORIES, OTHER PRODUCTS THAT WORK WITH THIS UNIT.**

### PAGE 1 of 2

The information contained in this document is the sole property of ADRIAN STEEL COMPANY. ADRIAN STEEL COMPANY retains the right to modify and/or change the product of its design at any time without prior notification.



**CATALOG NUMBER      GL-FSVPS**

**PRODUCT APPLICATION**

**Passenger side kit for PROFILE™ Grip-Lock and combo ladder racks. Works with all conduit kits. Works on GM Express/Savana, Ford Transit Low Roof, and Nissan NV Low Roof vans. Not recommended for Medium Roof, High Roof, Ram Promaster Low Roof, or Mercedes Sprinter Low Roof vans.**

**ACCESSORIES THAT WILL WORK WITH THIS PRODUCT**

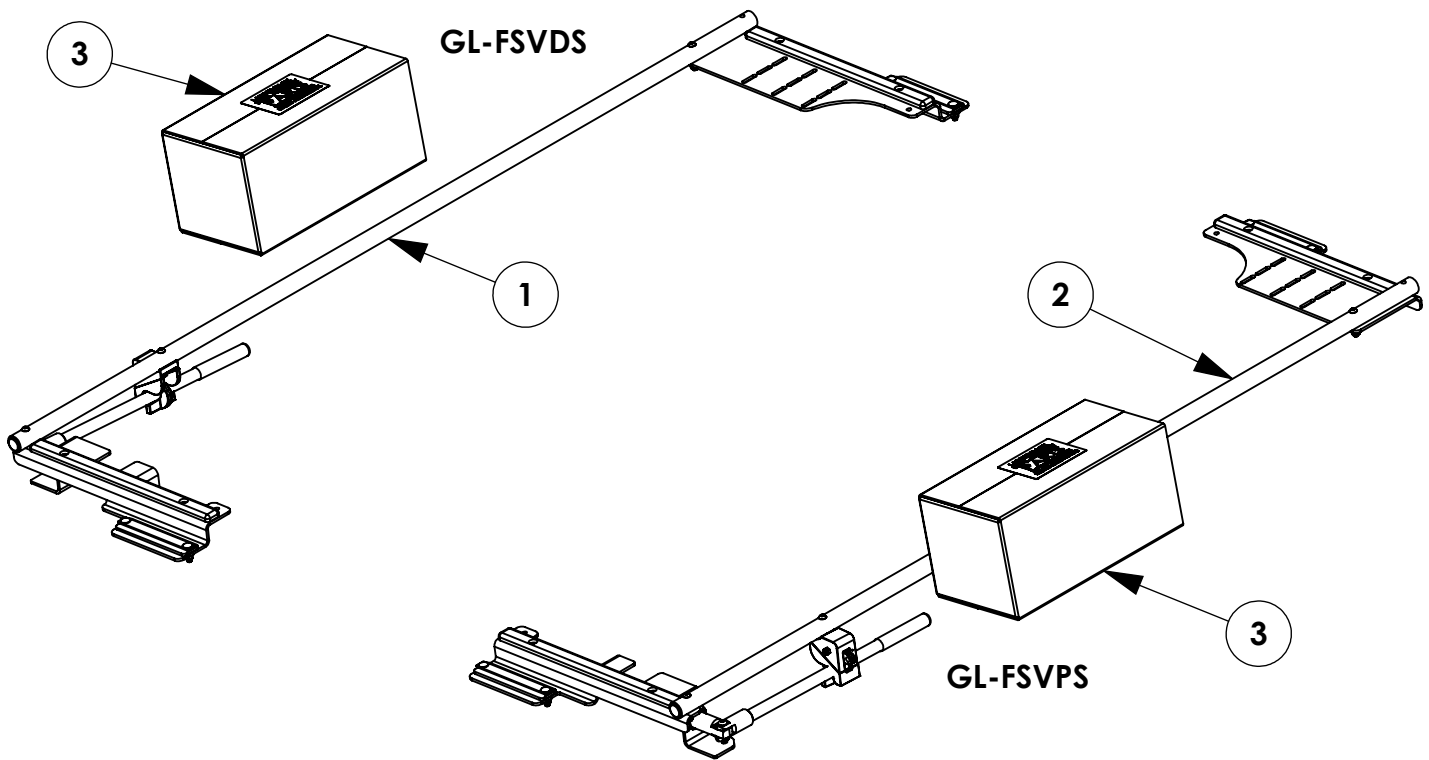
<b>CATALOG NUMBER</b>	<b>DESCRIPTION</b>
<b>2BARW</b>	<b>2-Crossbar Kit, 68”, White, Full Size Van</b>
<b>2BARCW</b>	<b>2-Crossbar Kit, 58”, White, Minivan</b>
<b>1BARW</b>	<b>Single Crossbar Kit, 68”, White, Full Size Van</b>
<b>1BARCW</b>	<b>Single Crossbar Kit, 58”, White, Minivan</b>

INSTR. NUMBER : 70691	PG: 1	REV: B	ITEM NO.	PART NUMBER	DESCRIPTION	GL-FSVDS	GL-FSVPS
PART NUMBER • GL-FSVDS PART NUMBER • GL-FSVPS			1	69445	GRIP LOCK FSV, ASM DS	1	-
			2	69444	GRIP LOCK FSV, ASM PS	-	1
PART • GL FULL SIZE VEHICLE DS DESC. • GL FULL SIZE VEHICLE PS			3	66373	GRIP LOCK BRKTS & HORN	1	1

**NOTE: THIS INSTRUCTION IS VALID FOR THE FOLLOWING KITS:**

- GL-FSVDS
- GL-FSVPS
- GL-FSVPSB
- GL-FSVDSB

**NOTE: 66357, 69444, & 69445 ARE AVAILABLE IN BLACK VARIANTS - FOR THEIR IDENTIFICATION, ADD THE "-B" SUFFIX TO THE END OF THE PART NUMBER**



**\*\*IF BUILDING A DUAL SIDED RACK BUILD BOTH SIDES IN PARALLEL FOR EACH STEP. IF BUILDING SINGLE SIDED REFERENCE ONLY THAT SIDE WHEN BUILDING.\*\***

**TOOLS NEEDED:**  
 1/2" SOCKET  
 1/2" WRENCH  
 9/16" SOCKET  
 3/16" ALLEN WRENCH  
 DRIVE RATCHET  
 IMPACT DRIVER

**GET TO KNOW THE VEHICLE** - AT THE BEGINNING OF ANY INSTALLATION, CHECK THE LOCATION OF THE FUEL TANK, FUEL LINES, BRAKE LINES, HIGH VOLTAGE BATTERIES AND WIRING HARNESSSES TO AVOID INJURY OR PROPERTY DAMAGE FROM TOOL CONTACT.

**SEAL ALL EXTERIOR HOLES** - ALL INSTALLATION HOLES SHOULD BE SEALED WITH BUTYL TAPE OR SILICON TO PREVENT WATER AND EXHAUST GASES FROM ENTERING THE VEHICLE.

**CONTROL DRILL DEPTH** - TO AVOID DAMAGE TO THE VEHICLE, USE A DRILL STOP OR CLEARED STEP BIT WHEN DRILLING INSTALLATION HOLES.

**ALWAYS ADD PRIMER** - WHEN ADDING INSTALLATION HOLES BE SURE TO USE A SELF-ETCHING PRIMER TO PREVENT CORROSION, FASTENER FAILURE AND INJURY.

**MOUNTING POINTS MUST HAVE METAL-TO-METAL CONTACT** - USE PROVIDED MOUNTING SPACERS TO ACCOMMODATE FOR VEHICLE FEATURES, CARPET OR SUBFLOORS.

**PROVIDE CLEARANCE FOR SPACERS** - IF THE INSTALLATION VEHICLE CONTAINS A CARPET OR SUBFLOOR, USE A 1-3/16" DIAMETER CARPET CUTTER (P/N: 31183-0) AT ALL MOUNTING LOCATIONS TO OPEN UP ROOM FOR SPACERS.

**CHECK SPACER ORIENTATION** - BE SURE THAT THE INDENT IN THE SPACER COVERS THE PLUSNUT HEAD; THIS ENSURES THE MOST METAL-TO-METAL CONTACT AND REDUCES VIBRATION.

**PLUSNUT INSTALLATION** - A PLUSNUT GUN IS RECOMMENDED FOR PLUSNUT INSTALLATION FOR ITS PRODUCTION SPEED. HOWEVER, A PLUSNUT SETTING TOOL CAN ALSO BE USED (P/N: 22200-0).

**THRU-BOLT CLEARANCE** - WHEN USING A THRU-BOLT AT ANY MOUNTING LOCATION, BE SURE THAT YOUR HOLE HAS 1/16" CLEARANCE.

PAGE:

**3**

***FASTENERS USED  
BAG REFERENCE:***

**NO FASTENER BAG  
ALL FASTENERS INCLUDED IN ASSEMBLY**

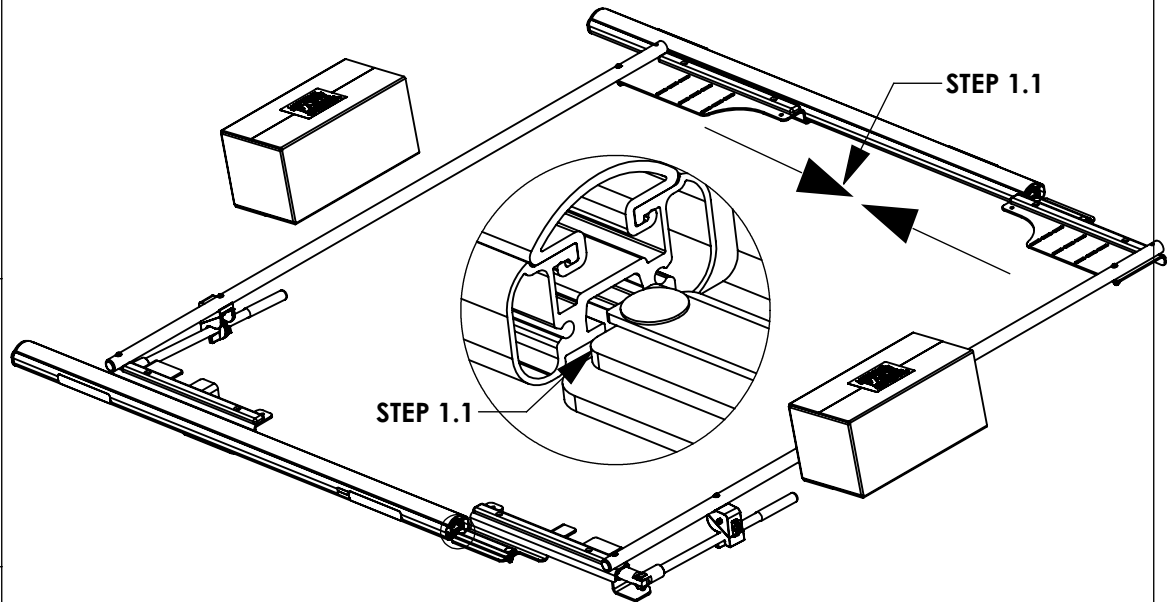
# STEP 1 - INSTALL GRIP LOCK FOR SHIP THRU

**STEP 1.1**  
SLIDE GRIP LOCK  
INTO CROSSBOW

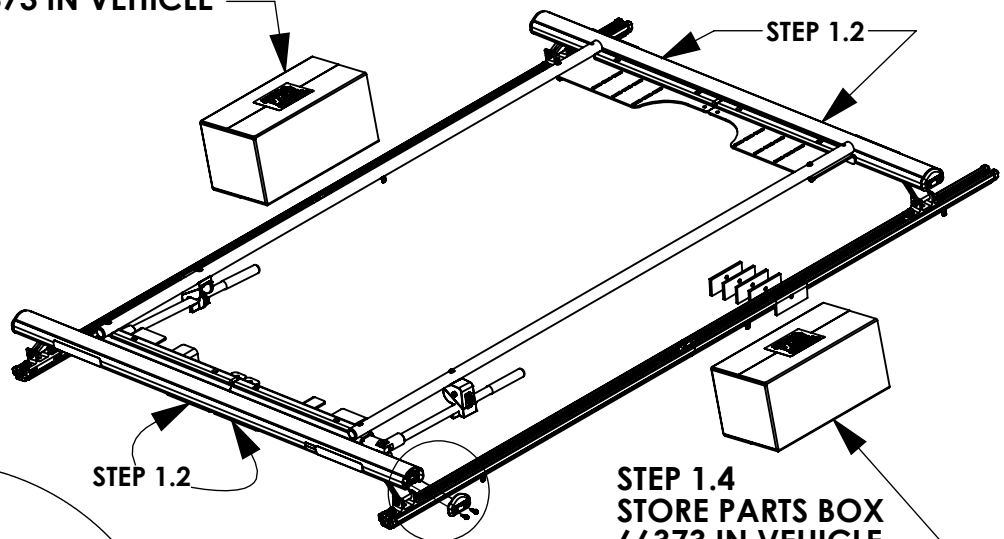
**STEP 1.2**  
SLIDE RACKS ALL  
THE WAY TO CENTER  
OF CROSSBOW AND  
FULLY TIGHTEN FOR  
SHIP THRU  
TRANSPORTATION  
1/2" SOCKET

**STEP 1.3**  
FULLY TIGHTEN  
END CAPS  
FAS0473, 63851  
(02 PLACES PER END  
CAP)  
5/16" SOCKET

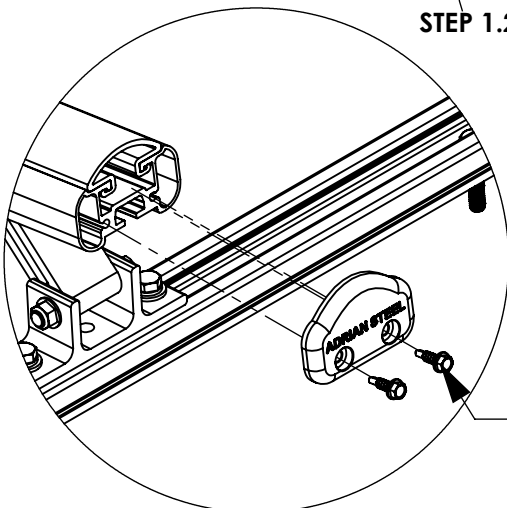
**STEP 1.4**  
STORE PARTS BOX  
66373 IN VEHICLE  
FOR FINAL INSTALL  
(1 BOX FOR SINGLE,  
2 BOXES FOR  
DOUBLE)



**STEP 1.4**  
STORE PARTS BOX  
66373 IN VEHICLE



**STEP 1.4**  
STORE PARTS BOX  
66373 IN VEHICLE



**CHECK THAT ALL FASTENERS ARE TIGHTENED!!! INSTALLATION IS COMPLETE**