



Mounting Bracket Kit, 4-Pack, White, Transit



PRODUCT WEIGHT
3.6 LBS

HEIGHT OFF ROOF
SEE TABLE BELOW

CAPACITY
**REFER TO OEM'S
RECOMMENDED LOAD
RATING**
COLOR

WHITE

CATALOG NUMBER

FTMBK4W

PRODUCT FEATURES

Ford Transit aluminum mounting bracket kit for the PROFILE™ HD Utility Rack. Mounting kit works for both 130" and 148" wheelbase, low roof vehicles. Can be mounted to any OEM mounting locations to best fit customer's product.

Utility racks are not recommended for medium or high roof vehicles!

Does not work with Grip-Lock or ProLift style racks.

SEE PAGE 2 FOR APPLICATION NOTES AND ACCESSORIES, OTHER PRODUCTS THAT WORK WITH THIS UNIT.

PAGE 1 of 2

The information contained in this document is the sole property of ADRIAN STEEL COMPANY. ADRIAN STEEL COMPANY retains the right to modify and/or change the product of its design at any time without prior notification.



CATALOG NUMBER FTMBK4W

PRODUCT APPLICATION

This product is designed to be installed on Ford Transit vans. HD Utility Racks are not recommended for medium or high roof vehicles!

ACCESSORIES THAT WILL WORK WITH THIS PRODUCT

CATALOG NUMBER	DESCRIPTION	CATALOG NUMBER	DESCRIPTION
FTMBK2W	Mounting Bracket Kit, 2-Pack, White, Transit	4UPK4B	4" Upright Kit, 4-Pack, Black
2BARW	2-Crossbar Kit, 68", White, Full Size Van	4UPK2B	4" Upright Kit, 2-Pack, Black
1BARW	Single Crossbar Kit, 68", White, Full Size Van	6UPK4B	6" Upright Kit, 4-Pack, Black
RRBFTW*	Rear Roller Assist Bar, White, Transit	6UPK2B	6" Upright Kit, 2-Pack, Black
70-1NGLR	4" End Cap for PVC Conduit	9UPK4B	9" Upright Kit, 4-Pack, Black
70-2NGLR	6" End Cap for PVC Conduit	9UPK2B	9" Upright Kit, 2-Pack, Black
80-1NGLR	Conduit Kit, 10w x 6h x 126d, Multiple Vehicles	RSK1B	Single Ratchet Upright Kit, 9"
80-2NGLR	Conduit Kit, 10w x 6h x 150d, Multiple Vehicles	ULSKB	Single Ladder Stop Kit

*Does not work with Ford Transit High Roof 148" wheelbase Extended vehicles!

LADDER RACK HEIGHTS MEASURED FROM ROOF OF VEHICLE

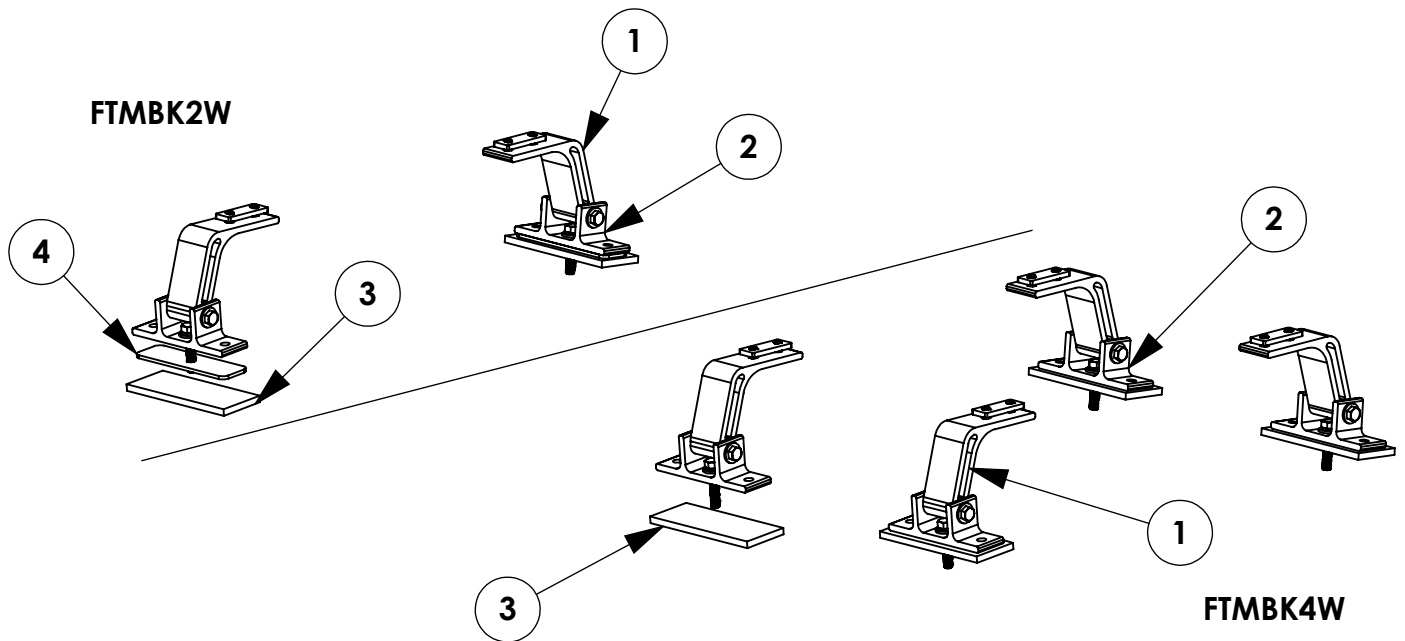
CONFIGURATION	RACK HEIGHT LOW / MED / HIGH ROOF
Base Rack	5" / 4.1" / 4.1"
Base + Ladder Stop	10.5" / 9.6" / 9.6"
Base + 4" Uprights	8.5" / 7.6" / 7.6"
Base + 6" Uprights	10.5" / 9.6" / 9.6"
Base + 9"/Ratchet Uprights	13.5" / 12.6" / 12.6"
Base + 4" PVC Conduit Kit	9.4" / 8.5" / 8.5"
Base + 6" PVC Conduit Kit	11.4" / 10.5" / 10.5"
Base + Aluminum Box Conduit Kit	11.5" / 10.7" / 10.7"

INSTR. NUMBER : 63419	PG: 1	REV: E	ITEM NO.	PART NUMBER	DESCRIPTION	FTMBK4W	FTMBK2W
PART NUMBER : FTMBK			1	68202-W	PROFILE, MOUNTING ARM, W	4	2
			2	63852-W	UTILITY, MOUNTING BRKT, W	4	2
PART DESC. : UTILITY, MNT BKT KT, FT			3	47106	GASKET, FOOT, MR TRANS L/R	4	2
			4	64777	UTILITY, FRONT SPACER, FT	-	2

NOTE: THIS INSTRUCTION IS VALID FOR THE FOLLOWING KITS:

- FTMBK4W
- FTMBK2W
- FTMBK4B
- FTMBK2B

- PART NUMBERS WITH "-W" SUFFIX ARE PAINTED WHITE
 - FOR BLACK MOUNTING KITS, REPLACE "-W" PARTS WITH "-B" PARTS



GET TO KNOW THE VEHICLE - AT THE BEGINNING OF ANY INSTALLATION, CHECK THE LOCATION OF THE FUEL TANK, FUEL LINES, BRAKE LINES, HIGH VOLTAGE BATTERIES AND WIRING HARNESES TO AVOID INJURY OR PROPERTY DAMAGE FROM TOOL CONTACT.

SEAL ALL EXTERIOR HOLES - ALL INSTALLATION HOLES SHOULD BE SEALED WITH BUTYL TAPE OR SILICON TO PREVENT WATER AND EXHAUST GASES FROM ENTERING THE VEHICLE.

CONTROL DRILL DEPTH - TO AVOID DAMAGE TO THE VEHICLE, USE A DRILL STOP OR CLEARED STEP BIT WHEN DRILLING INSTALLATION HOLES.

ALWAYS ADD PRIMER - WHEN ADDING INSTALLATION HOLES BE SURE TO USE A SELF-ETCHING PRIMER TO PREVENT CORROSION, FASTENER FAILURE AND INJURY.

MOUNTING POINTS MUST HAVE METAL-TO-METAL CONTACT - USE PROVIDED MOUNTING SPACERS TO ACCOMMODATE FOR VEHICLE FEATURES, CARPET OR SUBFLOORS.

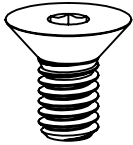
PROVIDE CLEARANCE FOR SPACERS - IF THE INSTALLATION VEHICLE CONTAINS A CARPET OR SUBFLOOR, USE A 1-3/16" DIAMETER CARPET CUTTER (P/N: 31183-0) AT ALL MOUNTING LOCATIONS TO OPEN UP ROOM FOR SPACERS.

CHECK SPACER ORIENTATION - BE SURE THAT THE INDENT IN THE SPACER COVERS THE PLUSNUT HEAD; THIS ENSURES THE MOST METAL-TO-METAL CONTACT AND REDUCES VIBRATION.

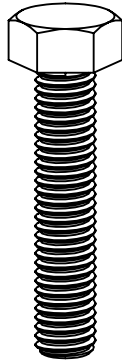
PLUSNUT INSTALLATION - A PLUSNUT GUN IS RECOMMENDED FOR PLUSNUT INSTALLATION FOR ITS PRODUCTION SPEED. HOWEVER, A PLUSNUT SETTING TOOL CAN ALSO BE USED (P/N: 22200-0).

THRU-BOLT CLEARANCE - WHEN USING A THRU-BOLT AT ANY MOUNTING LOCATION, BE SURE THAT YOUR HOLE HAS 1/16" CLEARANCE.

FASTENERS USED



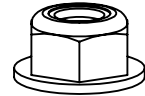
FAS0858
5/16-18X.63 SS
FHH SCREW
QTY: 8



FAS0351
M8-1.25X40 SS
HH SCREW
QTY: 4



FAS0243
5/16-18X2.5 SS
HH SCREW
QTY: 4



FAS0861
5/16-18 SS
HH FLG NUT
QTY: 4



FAS0857
5/16 SS WASHER,
LCK EXT CS
QTY: 8



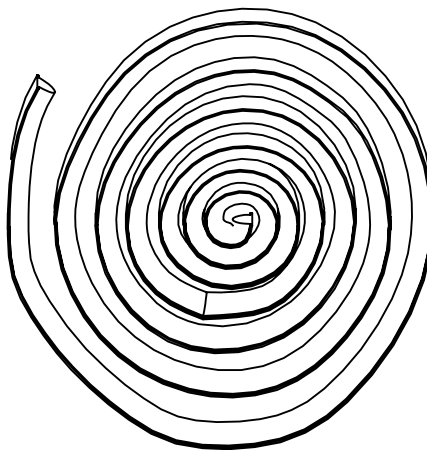
FAS0588
5/16 SS
SPLIT WASHER
QTY: 4



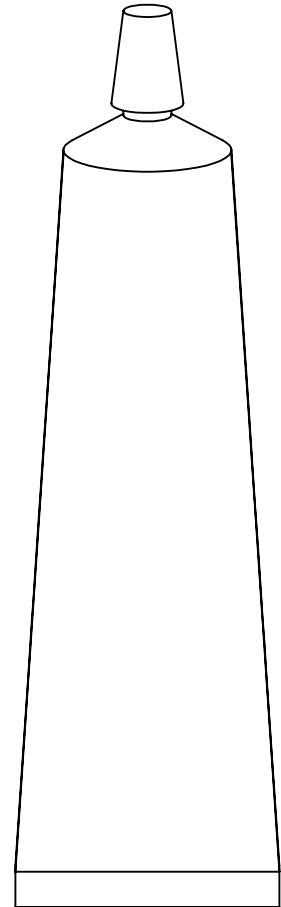
FAS0552
5/16 SS
FLAT WASHER
QTY: 8



68042
PROFILE FOOT
MOUNTING PLATE
QTY: 4



05586-0
BUTYL TAPE
T224 1FT ROLL
QTY: 1

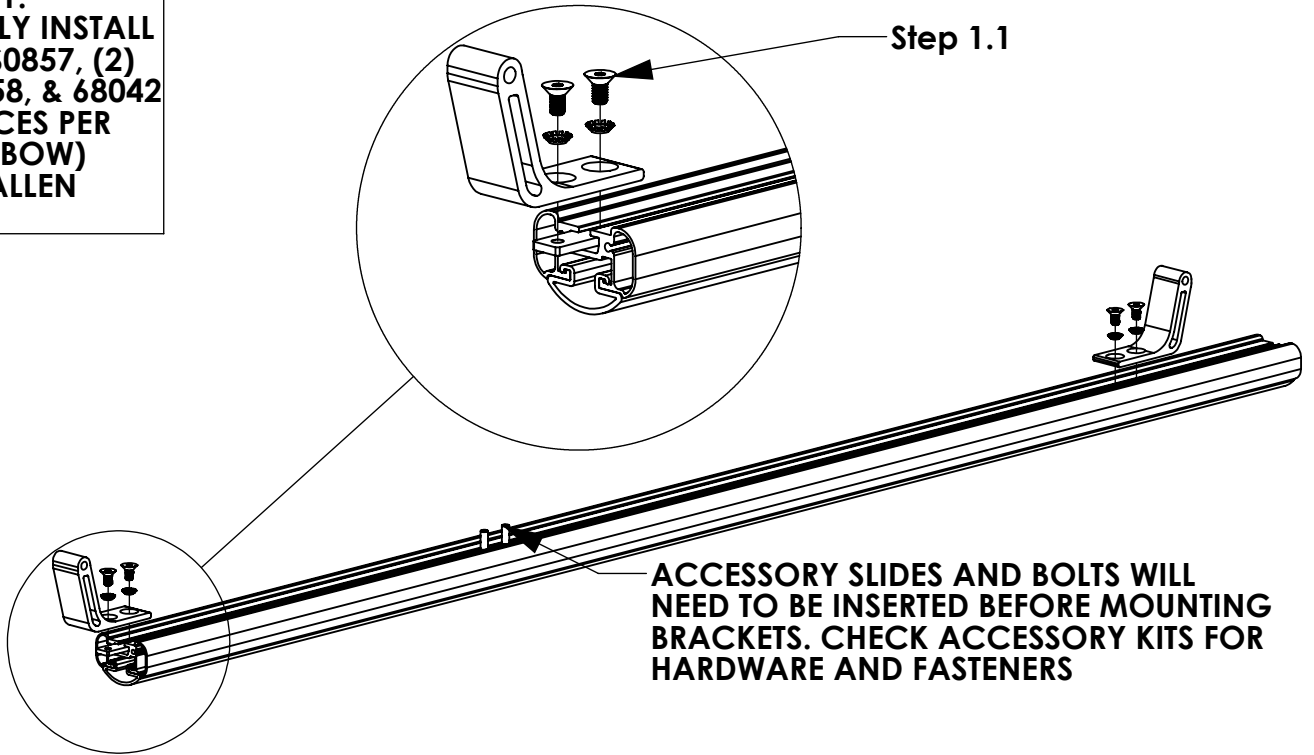


26618-0
SILICONE
1 OZ TUBE
QTY: 1

INTENTIONALLY LEFT BLANK

STEP 1 - ASSEMBLE MOUNTING ARMS TO CROSSBOW

Step 1.1:
LOOSELY INSTALL
(2) FAS0857, (2)
FAS0858, & 68042
(2 PLACES PER
CROSSBOW)
3/16" ALLEN



ACCESSORY SLIDES AND BOLTS WILL NEED TO BE INSERTED BEFORE MOUNTING BRACKETS. CHECK ACCESSORY KITS FOR HARDWARE AND FASTENERS

STEP 2 - INSTALL MOUNTING BRACKETS TO VEHICLE ROOF

Step 2.1
FAS0351, FAS0588,
FAS0552
(2 PLACES PER
CROSSBOW)
1/2" SOCKET

CROSSBOW POSITIONING NOTES:

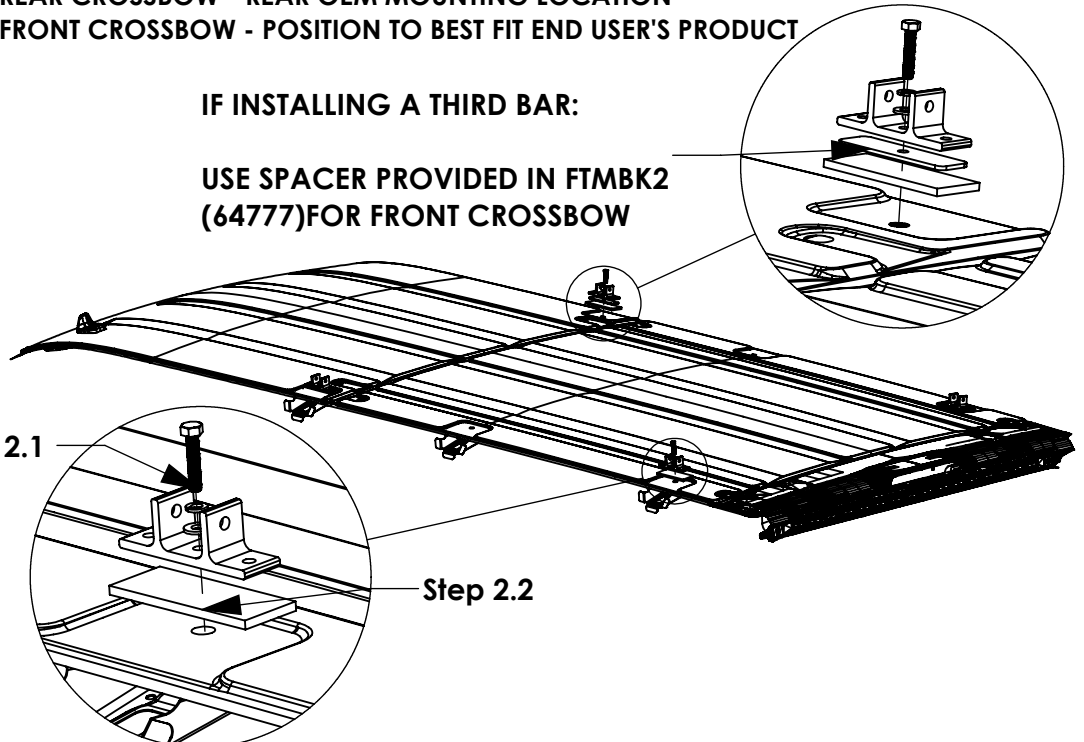
REAR CROSSBOW - REAR OEM MOUNTING LOCATION
FRONT CROSSBOW - POSITION TO BEST FIT END USER'S PRODUCT

IF INSTALLING A THIRD BAR:

USE SPACER PROVIDED IN FTMBK2
(64777)FOR FRONT CROSSBOW

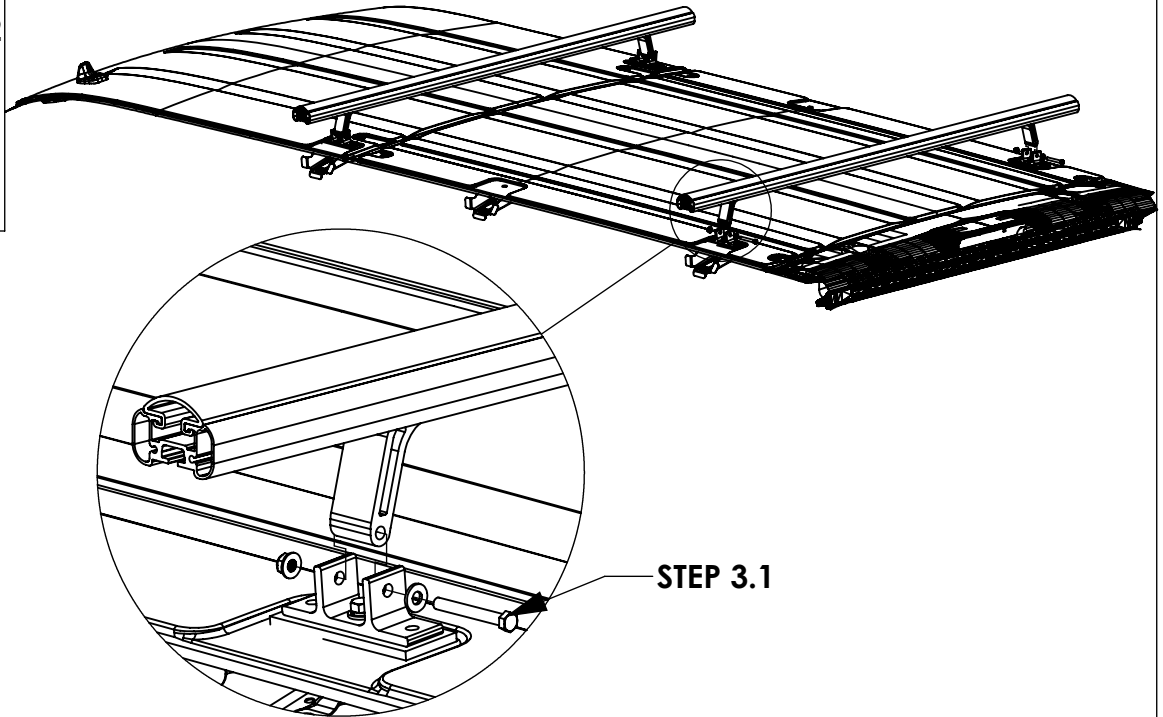
Step 2.2
POKE FASTENERS
THROUGH FOAM PAD

APPLY SILICONE AND
BUTYL TAPE TO BOLT
BEFORE TIGHTENING



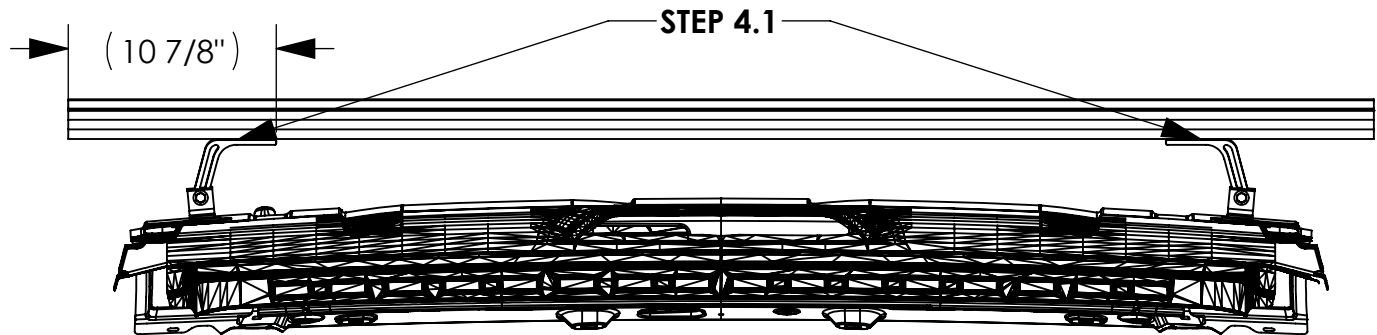
STEP 3 - ATTACH CROSSBOW ASSEMBLY TO MOUNTING BRACKETS

Step 3.1
FULLY TIGHTEN
FAS0243, FAS0552
FAS0861
(2 PLACES PER
CROSSBOW)
1/2" SOCKET
1/2" WRENCH



STEP 4 - SECURE CROSSBOW

Step 4.1
CENTER CROSSBOW
AND
SECURE MOUNTING
BRACKETS
(4 PLACES PER
CROSSBOW)
3/16" ALLEN



NOTE: DIMENSION CAN VARY SLIGHTLY BASED ON BUILD TOLERANCES OF THE VEHICLE. ADJUSTMENTS MAY BE REQUIRED BEFORE INSTALLING ON VEHICLE ROOF!