



## Mounting Bracket Kit, 2-Pack, White, Transit

PRODUCT WEIGHT  
**2 LBS**

HEIGHT OFF ROOF

**SEE TABLE BELOW**

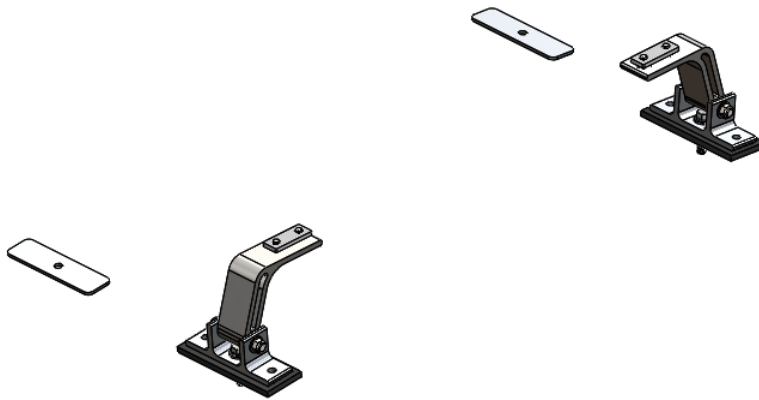
CAPACITY  
**REFER TO OEM'S  
RECOMMENDED LOAD  
RATING**

COLOR

**WHITE**

CATALOG NUMBER

**FTMBK2W**



### PRODUCT FEATURES

**Ford Transit aluminum mounting bracket kit for PROFILE™ HD Utility Racks to add additional crossbows to 2-Bar rack. Mounting kit works for both 130" and 148" wheelbase, low roof vehicles. Can be mounted to any OEM mounting locations to best fit customer's product.**

**Utility racks are not recommended for medium or high roof vehicles!**

**Does not work with Grip-Lock or ProLift style racks.**

**SEE PAGE 2 FOR APPLICATION NOTES AND ACCESSORIES, OTHER PRODUCTS THAT WORK WITH THIS UNIT.**

**PAGE 1 of 2**

The information contained in this document is the sole property of ADRIAN STEEL COMPANY. ADRIAN STEEL COMPANY retains the right to modify and/or change the product of its design at any time without prior notification.



**CATALOG NUMBER FTMBK2W**

**PRODUCT APPLICATION**

**This product is designed to be installed on Ford Transit vans. HD Utility Racks are not recommended for medium or high roof vehicles!**

**ACCESSORIES THAT WILL WORK WITH THIS PRODUCT**

| CATALOG NUMBER | DESCRIPTION                                     | CATALOG NUMBER | DESCRIPTION                    |
|----------------|---|----------------|--------------------------------|
| FTMBK4W        | Mounting Bracket Kit, 4-Pack, White, Transit    | 4UPK4B         | 4" Upright Kit, 4-Pack, Black  |
| 2BARW          | 2-Crossbar Kit, 68", White, Full Size Van       | 4UPK2B         | 4" Upright Kit, 2-Pack, Black  |
| 1BARW          | Single Crossbar Kit, 68", White, Full Size Van  | 6UPK4B         | 6" Upright Kit, 4-Pack, Black  |
| RRBFTW*        | Rear Roller Assist Bar, White, Transit          | 6UPK2B         | 6" Upright Kit, 2-Pack, Black  |
| 70-1NGLR       | 4" End Cap for PVC Conduit                      | 9UPK4B         | 9" Upright Kit, 4-Pack, Black  |
| 70-2NGLR       | 6" End Cap for PVC Conduit                      | 9UPK2B         | 9" Upright Kit, 2-Pack, Black  |
| 80-1NGLR       | Conduit Kit, 10w x 6h x 126d, Multiple Vehicles | RSK1B          | Single Ratchet Upright Kit, 9" |
| 80-2NGLR       | Conduit Kit, 10w x 6h x 150d, Multiple Vehicles | ULSKB          | Single Ladder Stop Kit         |

\*Does not work with Ford Transit High Roof 148" wheelbase Extended vehicles!

**LADDER RACK HEIGHTS MEASURED FROM ROOF OF VEHICLE**

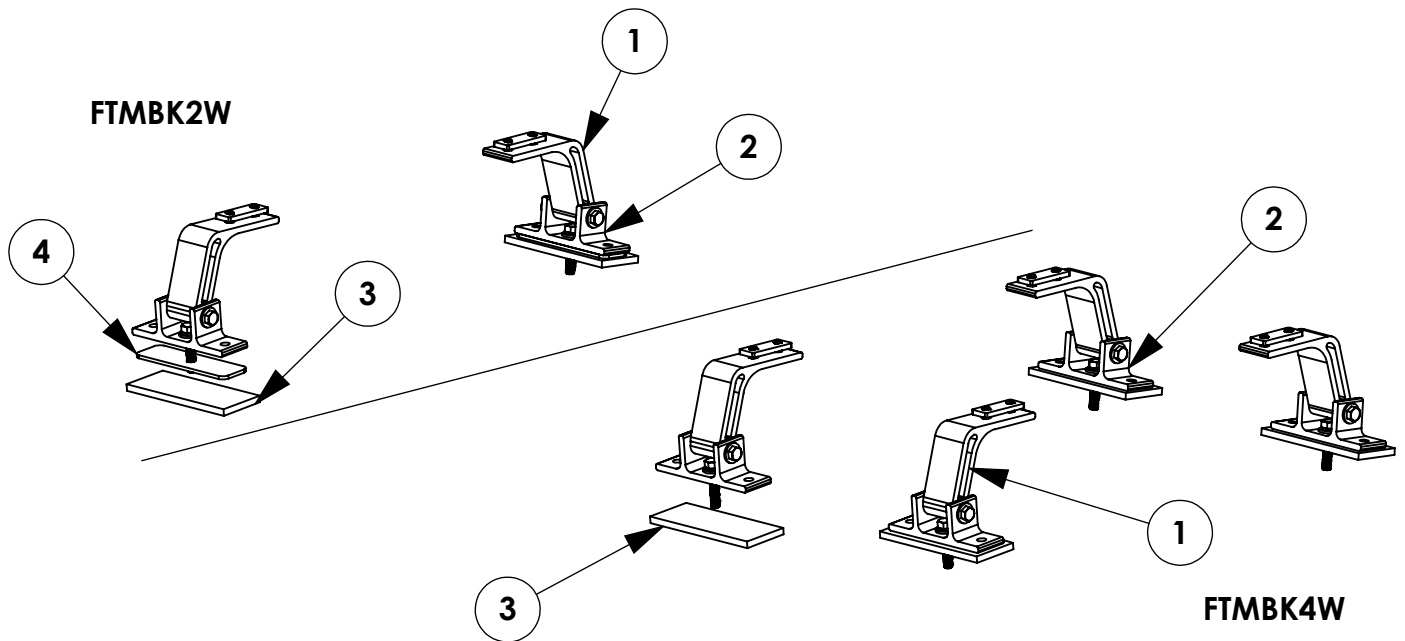
| CONFIGURATION                   | RACK HEIGHT<br>LOW / MED / HIGH ROOF |
|---------------------------------|--------------------------------------|
| Base Rack                       | 5" / 4.1" / 4.1"                     |
| Base + Ladder Stop              | 10.5" / 9.6" / 9.6"                  |
| Base + 4" Uprights              | 8.5" / 7.6" / 7.6"                   |
| Base + 6" Uprights              | 10.5" / 9.6" / 9.6"                  |
| Base + 9"/Ratchet Uprights      | 13.5" / 12.6" / 12.6"                |
| Base + 4" PVC Conduit Kit       | 9.4" / 8.5" / 8.5"                   |
| Base + 6" PVC Conduit Kit       | 11.4" / 10.5" / 10.5"                |
| Base + Aluminum Box Conduit Kit | 11.5" / 10.7" / 10.7"                |

| INSTR. NUMBER : <b>63419</b>                | PG: <b>1</b> | REV: <b>E</b> | ITEM NO. | PART NUMBER | DESCRIPTION                | FTMBK4W | FTMBK2W |
|---|--------------|---------------|----------|-------------|----------------------------|---------|---------|
| <b>PART NUMBER : FTMBK</b>                  |              |               | 1        | 68202-W     | PROFILE, MOUNTING ARM, W   | 4       | 2       |
|   |              |               | 2        | 63852-W     | UTILITY, MOUNTING BRKT, W  | 4       | 2       |
| <b>PART DESC. : UTILITY, MNT BKT KT, FT</b> |              |               | 3        | 47106       | GASKET, FOOT, MR TRANS L/R | 4       | 2       |
|   |              |               | 4        | 64777       | UTILITY, FRONT SPACER, FT  | -       | 2       |

**NOTE: THIS INSTRUCTION IS VALID FOR THE FOLLOWING KITS:**

- FTMBK4W
- FTMBK2W
- FTMBK4B
- FTMBK2B

- PART NUMBERS WITH "-W" SUFFIX ARE PAINTED WHITE  
 - FOR BLACK MOUNTING KITS, REPLACE "-W" PARTS WITH "-B" PARTS



**GET TO KNOW THE VEHICLE** - AT THE BEGINNING OF ANY INSTALLATION, CHECK THE LOCATION OF THE FUEL TANK, FUEL LINES, BRAKE LINES, HIGH VOLTAGE BATTERIES AND WIRING HARNESSSES TO AVOID INJURY OR PROPERTY DAMAGE FROM TOOL CONTACT.

**SEAL ALL EXTERIOR HOLES** - ALL INSTALLATION HOLES SHOULD BE SEALED WITH BUTYL TAPE OR SILICON TO PREVENT WATER AND EXHAUST GASES FROM ENTERING THE VEHICLE.

**CONTROL DRILL DEPTH** - TO AVOID DAMAGE TO THE VEHICLE, USE A DRILL STOP OR CLEARED STEP BIT WHEN DRILLING INSTALLATION HOLES.

**ALWAYS ADD PRIMER** - WHEN ADDING INSTALLATION HOLES BE SURE TO USE A SELF-ETCHING PRIMER TO PREVENT CORROSION, FASTENER FAILURE AND INJURY.

**MOUNTING POINTS MUST HAVE METAL-TO-METAL CONTACT** - USE PROVIDED MOUNTING SPACERS TO ACCOMMODATE FOR VEHICLE FEATURES, CARPET OR SUBFLOORS.

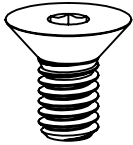
**PROVIDE CLEARANCE FOR SPACERS** - IF THE INSTALLATION VEHICLE CONTAINS A CARPET OR SUBFLOOR, USE A 1-3/16" DIAMETER CARPET CUTTER (P/N: 31183-0) AT ALL MOUNTING LOCATIONS TO OPEN UP ROOM FOR SPACERS.

**CHECK SPACER ORIENTATION** - BE SURE THAT THE INDENT IN THE SPACER COVERS THE PLUSNUT HEAD; THIS ENSURES THE MOST METAL-TO-METAL CONTACT AND REDUCES VIBRATION.

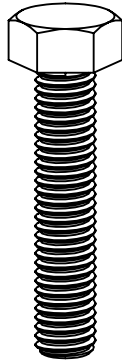
**PLUSNUT INSTALLATION** - A PLUSNUT GUN IS RECOMMENDED FOR PLUSNUT INSTALLATION FOR ITS PRODUCTION SPEED. HOWEVER, A PLUSNUT SETTING TOOL CAN ALSO BE USED (P/N: 22200-0).

**THRU-BOLT CLEARANCE** - WHEN USING A THRU-BOLT AT ANY MOUNTING LOCATION, BE SURE THAT YOUR HOLE HAS 1/16" CLEARANCE.

**FASTENERS USED**



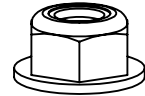
**FAS0858**  
5/16-18X.63 SS  
FHH SCREW  
QTY: 8



**FAS0351**  
M8-1.25X40 SS  
HH SCREW  
QTY: 4



**FAS0243**  
5/16-18X2.5 SS  
HH SCREW  
QTY: 4



**FAS0861**  
5/16-18 SS  
HH FLG NUT  
QTY: 4



**FAS0857**  
5/16 SS WASHER,  
LCK EXT CS  
QTY: 8



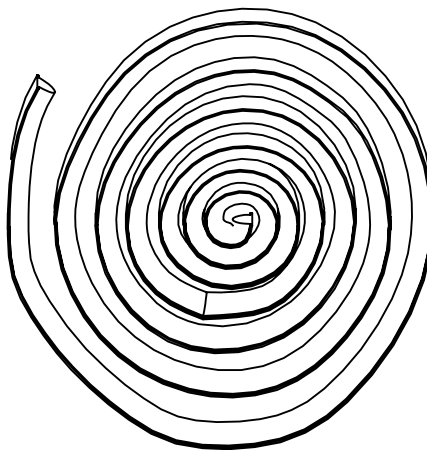
**FAS0588**  
5/16 SS  
SPLIT WASHER  
QTY: 4



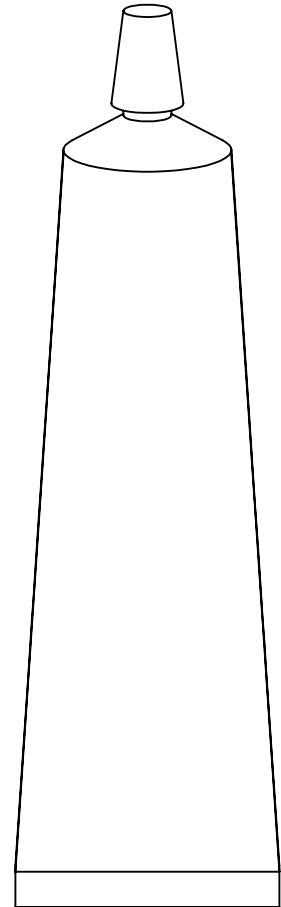
**FAS0552**  
5/16 SS  
FLAT WASHER  
QTY: 8



**68042**  
PROFILE FOOT  
MOUNTING PLATE  
QTY: 4



**05586-0**  
BUTYL TAPE  
T224 1FT ROLL  
QTY: 1

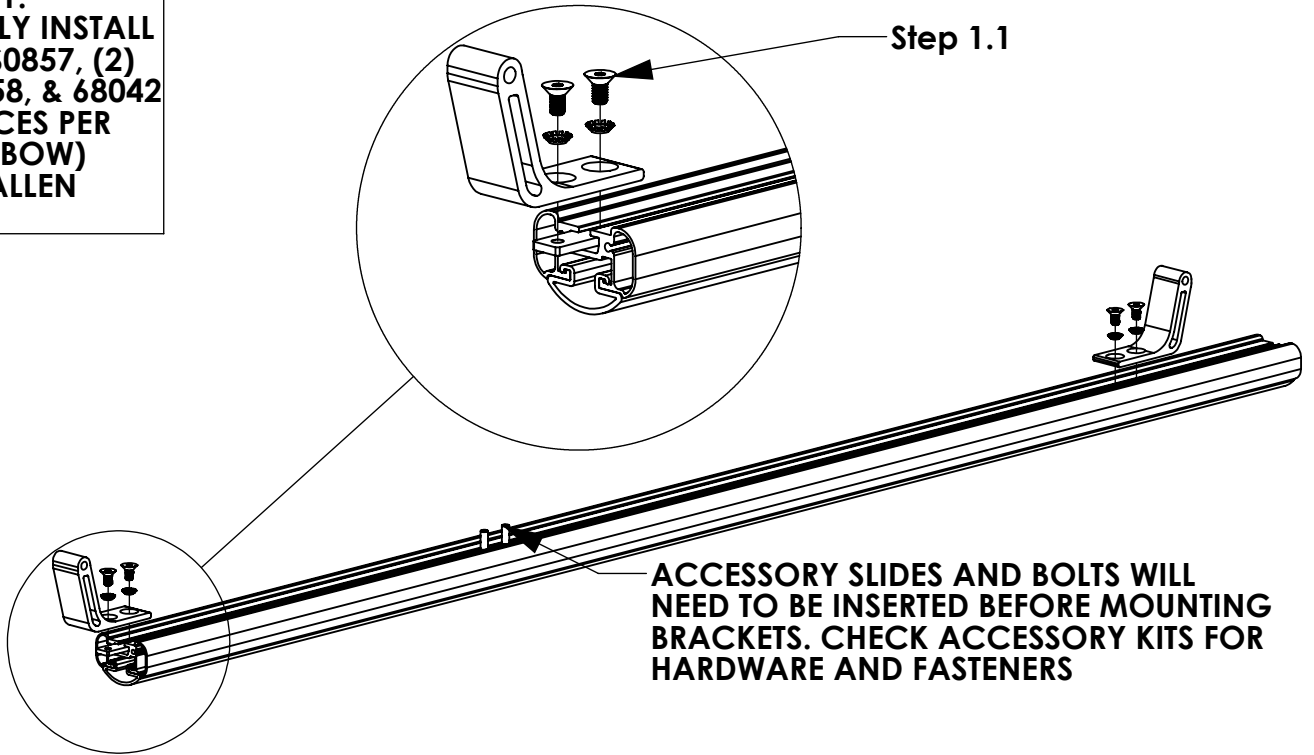


**26618-0**  
SILICONE  
1 OZ TUBE  
QTY: 1

***INTENTIONALLY LEFT BLANK***

**STEP 1 - ASSEMBLE MOUNTING ARMS TO CROSSBOW**

**Step 1.1:**  
LOOSELY INSTALL  
(2) FAS0857, (2)  
FAS0858, & 68042  
(2 PLACES PER  
CROSSBOW)  
3/16" ALLEN



Step 1.1

ACCESSORY SLIDES AND BOLTS WILL NEED TO BE INSERTED BEFORE MOUNTING BRACKETS. CHECK ACCESSORY KITS FOR HARDWARE AND FASTENERS

**STEP 2 - INSTALL MOUNTING BRACKETS TO VEHICLE ROOF**

**Step 2.1**  
FAS0351, FAS0588,  
FAS0552  
(2 PLACES PER  
CROSSBOW)  
1/2" SOCKET

**Step 2.2**  
POKE FASTENERS  
THROUGH FOAM PAD

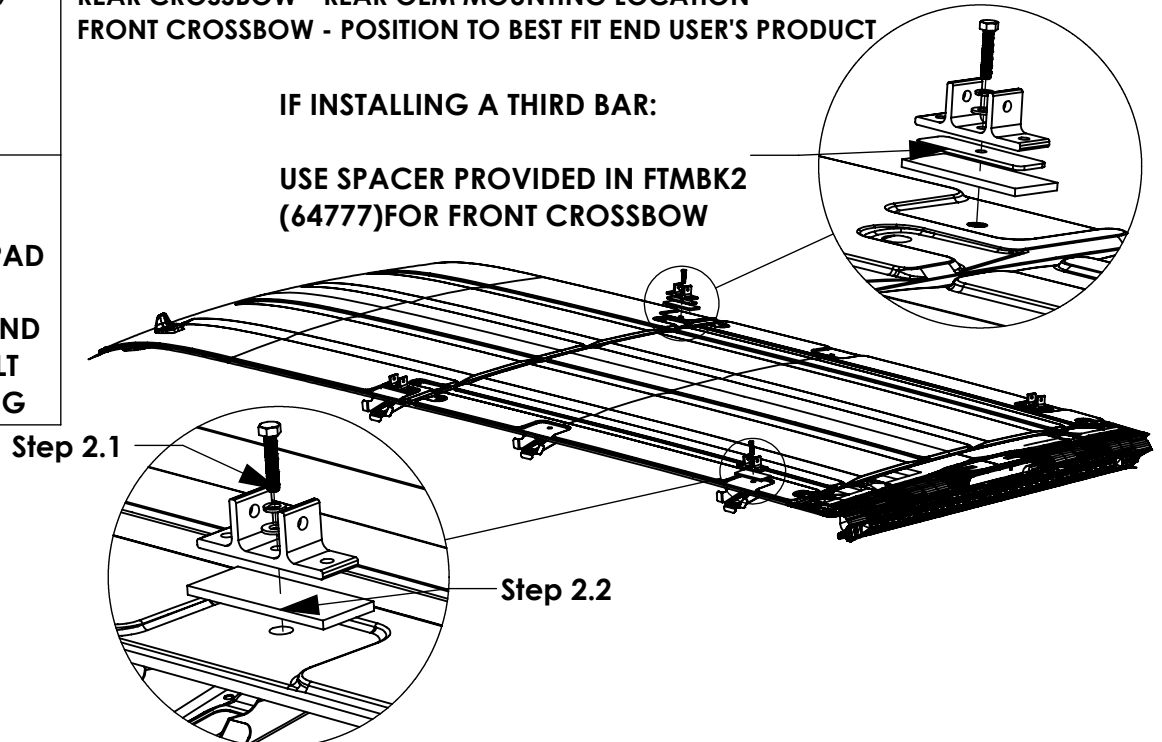
APPLY SILICONE AND  
BUTYL TAPE TO BOLT  
BEFORE TIGHTENING

**CROSSBOW POSITIONING NOTES:**

REAR CROSSBOW - REAR OEM MOUNTING LOCATION  
FRONT CROSSBOW - POSITION TO BEST FIT END USER'S PRODUCT

IF INSTALLING A THIRD BAR:

USE SPACER PROVIDED IN FTMBK2  
(64777)FOR FRONT CROSSBOW

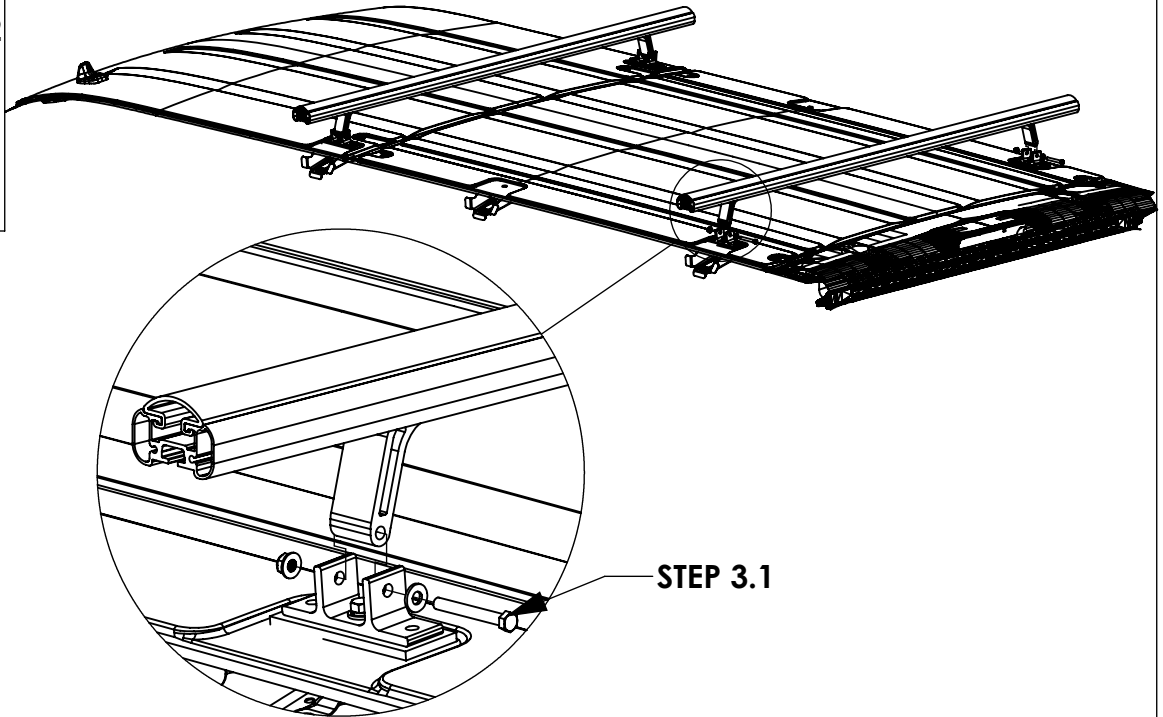


Step 2.1

Step 2.2

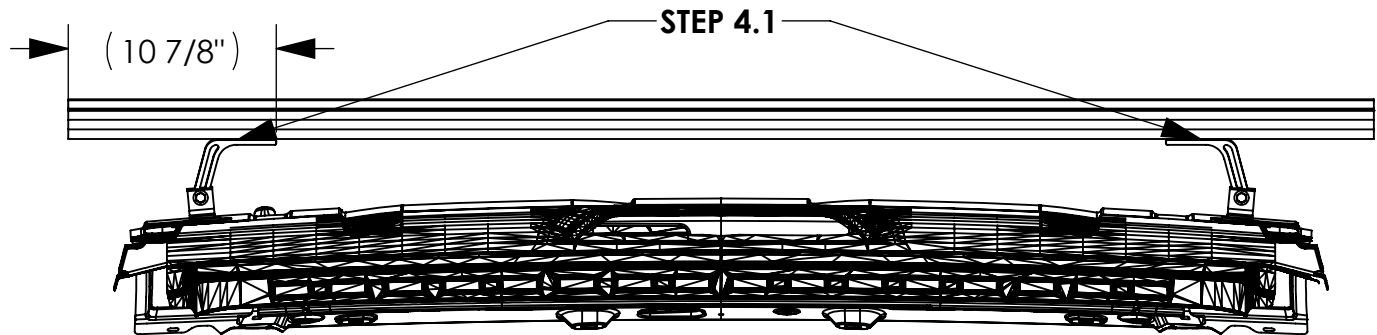
**STEP 3 - ATTACH CROSSBOW ASSEMBLY TO MOUNTING BRACKETS**

**Step 3.1**  
**FULLY TIGHTEN**  
**FAS0243, FAS0552**  
**FAS0861**  
**(2 PLACES PER**  
**CROSSBOW)**  
**1/2" SOCKET**  
**1/2" WRENCH**



**STEP 4 - SECURE CROSSBOW**

**Step 4.1**  
**CENTER CROSSBOW**  
**AND**  
**SECURE MOUNTING**  
**BRACKETS**  
**(4 PLACES PER**  
**CROSSBOW)**  
**3/16" ALLEN**



**NOTE: DIMENSION CAN VARY SLIGHTLY BASED ON BUILD TOLERANCES OF THE VEHICLE. ADJUSTMENTS MAY BE REQUIRED BEFORE INSTALLING ON VEHICLE ROOF!**